

**Service
Service
Service****7629**

ServiceManual

Contents	Page
Safety Notes	2
General Information.....	10
Disassembly.....	15
Service Modes, Error Codes, and Faultfinding	22
Adjustment Procedures	45
Circuit Description	61
Waveforms.....	101
Electrical Diagrams	105
Exploded View	140
Parts List.....	141

©Copyright 2004 Philips Consumer Electronics.

All rights reserved. No part of this publication may be reproduced, stored in a retrieval system or transmitted, in any form or by means, electronic, mechanical, photographic, or otherwise without the prior permission of Philips.

Published by Philips Consumer Electronics

Subject to modification

2004 Dec 06

IMPORTANT SAFETY NOTICE

Proper service and repair is important to the safe, reliable operation of all Philips Consumer Electronics Company** Equipment. The service procedures recommended by Philips and described in this service manual are effective methods of performing service operations. Some of these service operations require the use of tools specially designed for the purpose. The special tools should be used when and as recommended.

It is important to note that this manual contains various **CAUTIONS** and **NOTICES** which should be carefully read in order to minimize the risk of personal injury to service personnel. The possibility exists that improper service methods may damage the equipment. It also is important to understand that these **CAUTIONS** and **NOTICES ARE NOT EXHAUSTIVE**. Philips could not possibly know, evaluate and advise the service trade of all conceivable ways in which service might be done, or of the possible hazardous consequences of each way. Consequently, Philips has not undertaken any such broad evaluation. Accordingly, a servicer who uses a service procedure or tool which is not recommended by Philips must first satisfy himself thoroughly that neither his safety nor the safe operation of the equipment will be jeopardized by the service method selected.

** Hereafter throughout this manual, Philips Consumer Electronics Company will be referred to as Philips.

WARNING

Critical components having special safety characteristics are identified with a  or "S" by the Ref. No. in the parts list and enclosed within a broken line* (where several critical components are grouped in one area) along with the safety symbol  on the schematics or exploded views. Use of substitute replacement parts which do not have the same specified safety characteristics may create shock, fire, or other hazards. Under no circumstances should the original design be modified or altered without written permission from Philips. Philips assumes no liability, express or implied, arising out of any unauthorized modification of design. Servicer assumes all liability.

* **Broken Line** _____

FIRE AND SHOCK HAZARD

1. Be sure all components are positioned in such a way as to avoid the possibility of adjacent component shorts. This is especially important on those chassis which are transported to and from the service shop.
2. Never release a repaired unit unless all protective devices such as insulators, barriers, covers, strain reliefs, and other hardware have been installed in accordance with the original design.
3. Soldering and wiring must be inspected to locate possible cold solder joints, solder splashes, sharp solder points, frayed leads, pinched leads, or damaged insulation (including the ac cord). Be certain to remove loose solder balls and all other loose foreign particles.
4. Check across-the-line components and other components for physical evidence of damage or deterioration and replace if necessary. Follow original layout, lead length, and dress.
5. No lead or component should touch a receiving tube or a resistor rated at 1 watt or more. Lead tension around protruding metal surfaces or edges must be avoided.
6. Critical components having special safety characteristics are identified with an 'S' by the Ref. No. in the parts list and enclosed within a broken line* (where several critical components are grouped in one area) along with the safety symbol  on the schematic diagrams and /or exploded views.
7. When servicing any unit, always use a separate isolation transformer for the chassis. Failure to use a separate isolation transformer may expose you to possible shock hazard, and may cause damage to servicing instruments.
8. Many electronic products use a polarized ac line cord (one wide pin on the plug). Defeating this safety feature may create a potential hazard to the servicer and the user. Extension cords which do not incorporate the polarizing feature should never be used.
9. After reassembly of the unit, always perform an ac leakage test or resistance test from the line cord to all exposed metal parts of the cabinet. Also, check all metal control shafts (with knobs removed), antenna terminals, handles, screws, etc., to be sure the unit may be safely operated without danger of electrical shock.

* **Broken line** _____

LEAKAGE CURRENT COLD CHECK

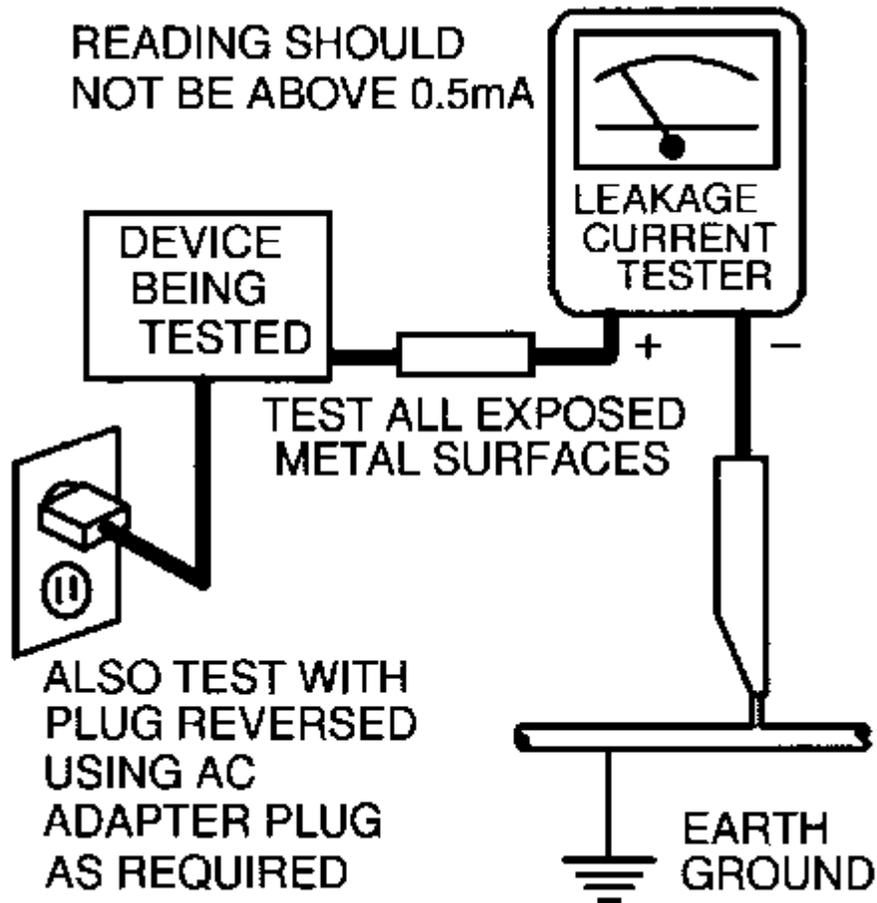
1. Unplug the ac line cord and connect a jumper between the two prongs of the plug.
2. Turn on the power switch.
3. Measure the resistance value between the jumpered ac plug and all exposed cabinet parts of the receiver, such as screw heads, antennas, and control shafts. When the exposed metallic part has a return path to the chassis, the reading should be between 1 megohm and 5.2 megohms. When the exposed metal does not have a return path to the chassis, the reading must be infinity. Remove the jumper from the ac line cord.

LEAKAGE CURRENT HOT CHECK

1. Do not use an isolation transformer for this test. Plug the completely reassembled receiver directly into the ac outlet.
2. Connect a 1.5k, 10W resistor paralleled by a 0.15uF. capacitor between each exposed metallic cabinet part and a good earth ground such as a water pipe, as shown below.
3. Use an ac voltmeter with at least 5000 ohms/volt sensitivity to measure the potential across the resistor.
4. The potential at any point should not exceed 0.75 volts. A leakage current tester may be used to make this test; leakage current must not exceed 0.5mA. If a measurement is outside of the specified limits, there is a possibility of shock hazard. The receiver should be repaired and rechecked before returning it to the customer.
5. Repeat the above procedure with the ac plug reversed. (Note: An ac adapter is necessary when a polarized plug is used. Do not defeat the polarizing feature of the plug.)

OR

With the instrument completely reassembled, plug the ac line cord directly into a 120Vac outlet. (Do not use an isolation transformer during this test.) Use a leakage current tester or a metering system that complies with American National Standards Institute (ANSI) C101.1 Leakage Current for Appliances and Underwriters Laboratories (UL) 1410, (50.7). With the instrument ac switch first in the on position and then in the off position, measure from a known earth ground (metal water pipe, conduit, etc.) to all exposed metal parts of the instrument (antennas, handle brackets, metal cabinet, screw heads, metallic overlays, control shafts, etc.), especially any exposed metal parts that offer an electrical return path to the chassis. Any current measured must not exceed 0.5mA. Reverse the instrument power cord plug in the outlet and repeat the test. See the graphic below.



TV SAFETY NOTES

SAFETY CHECKS

After the original service problem has been corrected, a complete safety check should be made. Be sure to check over the entire set, not just the areas where you have worked. Some previous servicer may have left an unsafe condition, which could be unknowingly passed on to your customer. Be sure to check all of the following:

- Fire and Shock Hazard
- Implosion
- X-Radiation
- Leakage Current Cold Check
- Leakage Current Hot Check
- Picture Tube Replacement
- Parts Replacement

WARNING: Before removing the CRT anode cap, turn the unit OFF and short the HIGH VOLTAGE to the CRT DAG ground.

SERVICE NOTE: The CRT DAG is not at chassis ground.

IMPLOSION

1. All picture tubes used in current model receivers are equipped with an integral implosion system. Care should always be used, and safety glasses worn, whenever handling any picture tube. Avoid scratching or otherwise damaging the picture tube during installation.
2. Use only replacement tubes specified by the manufacturer.

X-RADIATION

1. Be sure procedures and instructions to all your service personnel cover the subject of X-radiation. Potential sources of X-rays in TV receivers are the picture tube and the high voltage circuits. The basic precaution which must be exercised is to keep the high voltage at the factory recommended level.
2. To avoid possible exposure to X-radiation and electrical shock, only the manufacturer's specified anode connectors must be used.
3. It is essential that the service technician has an accurate HV meter available at all times. The calibration of this meter should be checked periodically against a reference standard.
4. When the HV circuitry is operating properly there is no possibility of an X-radiation problem. High voltage should always be kept at the manufacturer's rated value - no higher - for optimum performance. Every time a color set is serviced, the brightness should be run up and down while monitoring the HV with a meter to be certain that the HV is regulated correctly and does not exceed the specified value. We suggest that you and your technicians review test procedures so that HV and HV regulation are always checked as a standard servicing procedure, and the reason for this prudent routine is clearly understood by everyone. It is important to use an accurate and reliable HV meter. It is recommended that the HV reading be recorded on each customer's invoice, which will demonstrate a proper concern for the customer's safety.

5. When troubleshooting and making test measurements in a receiver with a problem of excessive high voltage, reduce the line voltage by means of a Variac to bring the HV into acceptable limits while troubleshooting. Do not operate the chassis longer than necessary to locate the cause of the excessive HV.
6. New picture tubes are specifically designed to withstand higher operating voltages without creating undesirable X-radiation. It is strongly recommended that any shop test fixture which is to be used with the new higher voltage chassis be equipped with one of the new type tubes designed for this service. Addition of a permanently connected HV meter to the shop test fixture is advisable. The CRT types used in these new sets should never be replaced with any other types, as this may result in excessive X-radiation.
7. It is essential to use the specified picture tube to avoid a possible X-radiation problem.
8. Most TV receivers contain some type of emergency "Hold Down" circuit to prevent HV from rising to excessive levels in the presence of a failure mode. These various circuits should be understood by all technicians servicing them, especially since many hold down circuits are inoperative as long as the receiver performs normally.

PICTURE TUBE REPLACEMENT

The primary source of X-radiation in this television receiver is the picture tube. The picture tube utilized in this chassis is specially constructed to limit X-radiation emissions. For continued X-radiation protection, the replacement tube must be the same type as the original, including suffix letter, or a Philips approved type.

PARTS REPLACEMENT

Many electrical and mechanical parts in Philips television sets have special safety related characteristics. These characteristics are often not evident from visual inspection nor can the protection afforded by them necessarily be obtained by using replacement components rated for higher voltage, wattage, etc. The use of a substitute part which does not have the same safety characteristics as the Philips recommended replacement part shown in this service manual may create shock, fire, or other hazards.

PRODUCT SAFETY GUIDELINES FOR ALL PRODUCTS

CAUTION: Do not modify any circuit. Service work should be performed only after you are thoroughly familiar with all of the following safety checks. Risk of potential hazards and injury to the user increases if safety checks are not adhered to.

USE A SEPARATE ISOLATION TRANSFORMER FOR THIS UNIT WHEN SERVICING.

PREVENTION OF ELECTROSTATIC DISCHARGE (ESD)

Some semiconductor solid state devices can be damaged easily by static electricity. Such components commonly are called Electrostatically Sensitive (ES) Devices, Examples of typical ES devices are integrated circuits and some field-effect transistors and semiconductor "chip" components. The following techniques should be used to help reduce the incidence of component damage caused by electrostatic discharge (ESD).

1. Immediately before handling any semiconductor component or semiconductor-equipped assembly, drain off any ESD on your body by touching a known earth ground. Alternatively, obtain and wear a commercially available discharging ESD wrist strap, which should be removed for potential shock reasons prior to applying power to the unit under test.
2. After removing an electrical assembly equipped with ES devices, place the assembly on a conductive surface such as aluminum foil, to prevent electrostatic charge buildup or exposure of the assembly.
3. Use only a grounded-tip soldering iron to solder or unsolder ES devices.
4. Use only an anti-static solder removal device. Some solder removal devices not classified as "antistatic (ESD protected)" can generate an electrical charge sufficient to damage ES devices.
5. Do not use Freon propelled chemicals. These can generate electrical charges sufficient to damage ES devices.
6. Do not remove a replacement ES device from its protective package until immediately before you are ready to install it (most replacement ES devices are packaged with leads electrically shorted together by conductive foam, aluminum foil or comparable conductive material).
7. Immediately before removing the protective material from the leads of a replacement ES device, touch the protective material to the chassis or circuit assembly into which the device will be installed.

CAUTION: Be sure no power is applied to the chassis or circuit and observe all other safety precautions.

8. Minimize bodily motions when handling unpackaged replacement ES devices. (Otherwise harmless motion such as the brushing together of your clothes fabric or the lifting of your feet from a carpeted floor can generate static electricity (ESD) sufficient to damage an ES device.)

NOTE to CATV system Installer:

This reminder is provided to call the CATV system installer's attention to article 820-22 of the NEC that provides guidelines for proper grounding and, in particular, specifies that the cable ground shall be connected to the grounding system of the building, as close to the point of cable entry as practical.

PRACTICAL SERVICE PRECAUTIONS

IT MAKES SENSE TO AVOID EXPOSURE TO ELECTRICAL SHOCK. While some sources are expected to have a possible dangerous impact, others of quite high potential are of limited current and are sometimes held in less regard.

ALWAYS RESPECT VOLTAGES. While some may not be dangerous in themselves, they can cause unexpected reactions – reactions that are best avoided. Before reaching into the powered color TV set, it is best to test the high voltage insulation. It is easy to do, and is just a good service precaution.

BEFORE POWERING UP THE TV WITH THE BACK OFF (or on a test fixture), attach a clip lead to the CRT DAG ground and to a screwdriver blade that has a well insulated handle. After the TV is powered on and high voltage has developed, probe the anode lead with the blade, starting at the bottom of the High Voltage Transformer (flyback – IFT). Move the blade to within two inches of the connector of the CRT. **IF THERE IS AN ARC, YOU FOUND IT THE EASY WAY, WITHOUT GETTING A SHOCK!** If there is an arc to the screwdriver blade, replace the High Voltage Transformer or the lead, (if removable) whichever is causing the problem.

PICTURE TUBE REPLACEMENT PROCEDURE

Note: a. Two (2) people are required to handle this picture tube.
b. Safety Glasses must be worn during this procedure or whenever directly handling a picture tube.
c. Take care in each step not to damage the CRT or the cabinet.

1. Remove the Chassis and the CRT Socket Board Module from the cabinet.
2. A furniture pad or blanket should be positioned on the floor to support only the CRT Face. This pad or blanket should be high enough to keep the CRT Face approximately 12 to 14 inches off the floor.
3. Using two people, place the cabinet in a front down position with the CRT Face on the pad or blanket.
4. Place padded blocks under each corner of the cabinet to keep it from rocking.
5. Remove the four screws, at the corners of the CRT.
6. With two people lowering the cabinet to the floor, leave the CRT elevated by the pad or blanket.

Note: Take care not to grasp the neck of the CRT during this procedure, as it is extremely fragile.

7. Two (2) people may then lift the CRT from the cabinet.
8. Remove the degaussing coil from the defective CRT and mount on the replacement. Take care to maintain the exact shape and fit.

To install the new CRT, reverse steps 1 to 7.

Technical Specifications, Connections And Chassis Overview

Technical Specifications

Reception

Feature	Data
Tuning system	: PLL
Color systems	: NTSC M : (3.58 - 4.5 MHz)
Sound systems	: FM-mono M : (4.5 MHz) : BTSC DBX : (4.5 MHz)
A/V connections	: NTSC M : (3.58 - 4.5 MHz)
Channel selections	: 181 channels, full cable
IF frequency	: 45.75 MHz
Aerial input	: 75 Ω , Coax

Miscellaneous

Feature	Data
AC voltage	: 90 - 140 V (\pm 10 %)

AC frequency : 60 Hz (± 5 %)

Ambient temperature : + 5 to + 45 deg. C

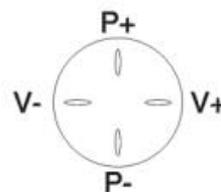
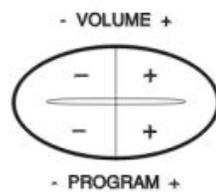
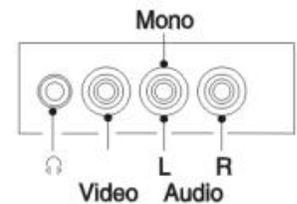
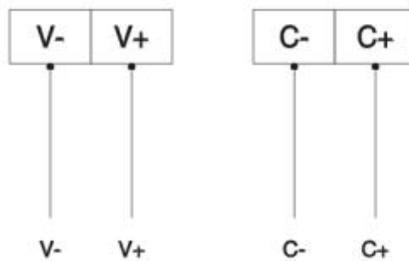
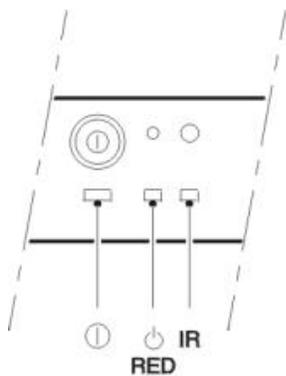
Maximum humidity : 90 %

Power consumption : 36 W (14")
: 100 W (32")

Standby Power consumption : < 3 W

Connections

Front Or Top Control, Front Or Side Connections

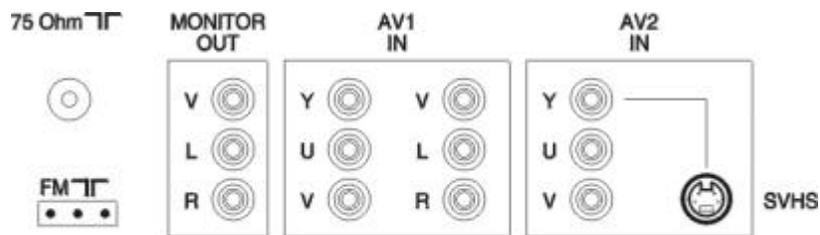


Audio / Video In

Connector	Kind	Value	Symbol
1	Video	1 Vpp / 75 Ω	

2	Audio	L (0.2 Vrms / 10 kΩ)	
3	Audio	R (0.2 Vrms / 10 kΩ)	
4	Headphone (3.5 mm)	8 - 600 Ω / 4 mW	

Rear Connections



Monitor Out

Connector	Kind	Value	Symbol
1	Video	1 Vpp / 75 Ω	
2	Audio	L (0.5 Vrms / 1 kΩ)	
3	Audio	R (0.5 Vrms / 1 kΩ)	

YUV In

Connector	Kind	Value	Symbol
1	Y	0.7 Vpp / 75 Ω	
2	U	0.7 Vpp / 75 Ω	
3	V	0.7 Vpp / 75 Ω	

AV1 In

Connector	Kind	Value	Symbol
4	Video	1 Vpp / 75 Ω	
5	Audio	L (0.5 Vrms / 10 kΩ)	
6	Audio	R (0.5 Vrms / 10 kΩ)	

AV2 In

Connector	Kind	Value	Symbol
1	Video	1 Vpp / 75 Ω	
2	Audio	L (0.5 Vrms / 10 kΩ)	
3	Audio	R (0.5 Vrms / 10 kΩ)	

AV2 In (SVHS)

Connector	Kind	Value	Symbol
1		gnd	
2		gnd	
3	Y	1 Vpp / 75 Ω	
4	C	0.3 Vpp / 75 Ω	

Mechanical Instructions

Rear Cover Removal

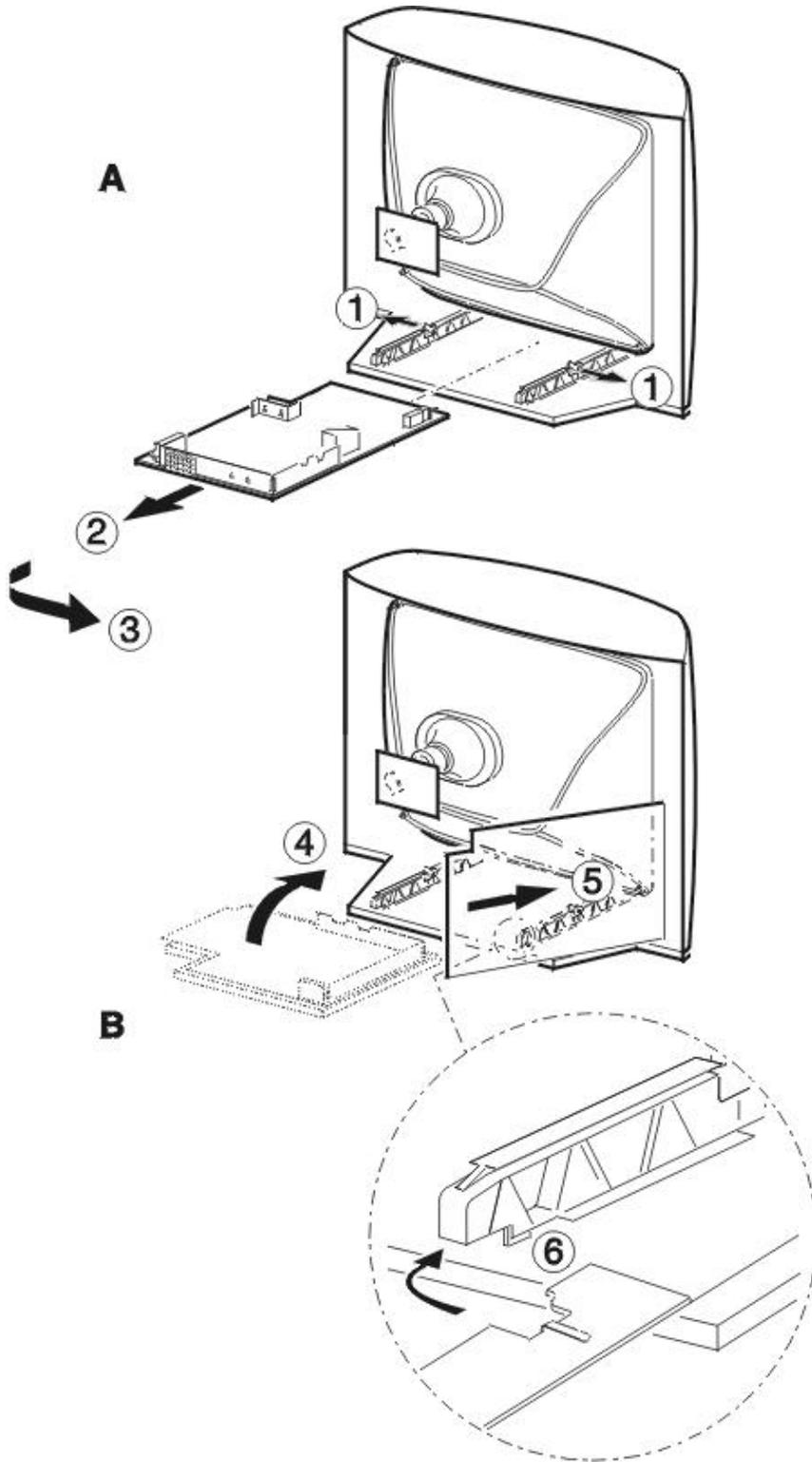
1. Remove all fixation screws of the rear cover.
2. Now pull the rear cover backward to remove it.

Service Position Main Panel

There are 2 configurations. With and without panel bracket. Both have a different service position:

Main panel **without** bracket.

1. Disconnect the strain relief of the AC power cord.
2. Remove the main panel, by pushing the two center clips outward [1]. At the same time pull the panel away from the CRT [2].
3. Disconnect the degaussing coil by removing the cable from (red) connector 0201.
4. Turn the panel 90 degrees counter clockwise [3].
5. Flip the panel 90 degrees [4], with the components towards the CRT.
6. Turn the panel with the rear I/O towards the CRT [5].
7. Slide the metal heatsink (near the mains transformer5520) underneath the right chassis bracket, so the panel is secured [6].



CL 16632016_007-01
040401

Figure:

Main panel **with** bracket.

1. Disconnect the strain relief of the AC power cord.
2. Disconnect the degaussing coil by removing the cable from (red) connector 0201 [1].
3. Remove the panel bracket from the bottom tray, by pulling it backward [2] and turn the chassis tray 90 degrees counter clockwise.
4. Move the panel somewhat to the left and flip it 90 degrees [3], with the components towards the CRT.
5. Turn the panel with the rear I/O towards the CRT.
6. Place the hook of the tray in the fixation hole of the cabinet bottom [4] and secure it.

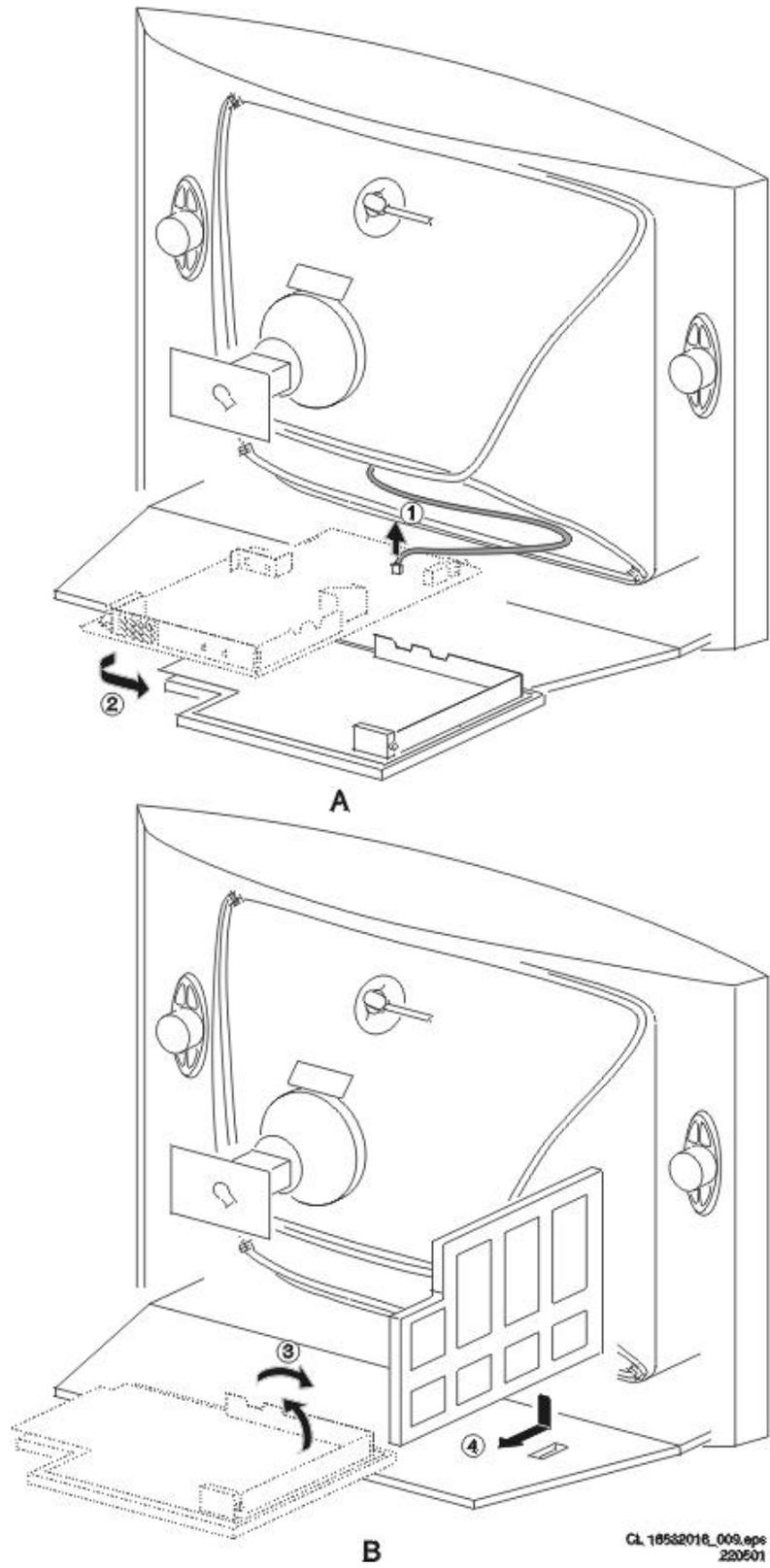


Figure:

Side I/O Panel Removal

1. Remove the complete Side I/O assembly after unscrewing the 2 fixation screws.
2. Release the 2 fixation clamps and lift the board out of the bracket.

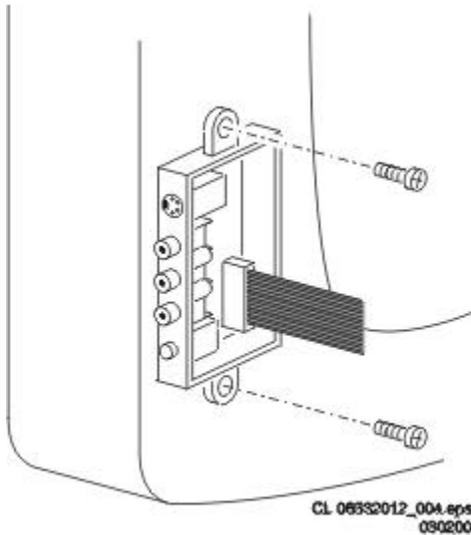


Figure:

Pip Module (If Present)

Service Position

1. Remove the module bracket from the bottom tray by pulling it backward.
2. Hook the bracket in the first row of the cabinet bottom. In other words: reposition the bracket from [1] to [2].

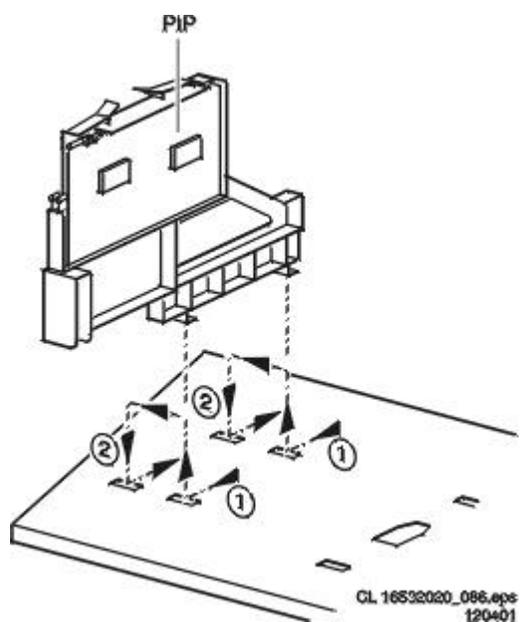


Figure:

Panel Removal

1. Lift the board out of its bracket after releasing the 2 fixation clamps.

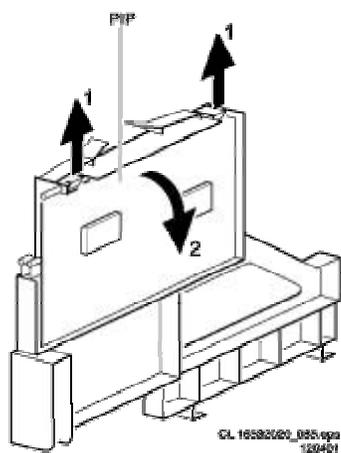


Figure:

Rear Cover Mounting

Before you mount the rear cover, perform the following checks:

1. Check whether the AC power cord is mounted correctly in its guiding brackets.
2. Replace the strain relief of the AC power cord into the cabinet.
3. Check whether all cables are replaced in their original position.

Service Modes, Error Codes and Fault Finding

Index:

1. Test points.
2. Service Modes.
3. Problems and Solving Tips (related to CSM).
4. ComPair.
5. Error Codes.
6. The Blinking LED Procedure.
7. Protections.
8. Repair Tips.

Supporting Overviews

- [I2C-IC overview](#)
- [Test points overview Main Panel](#)
- [Test points overview CRT Panel](#)

Test Points

The chassis is equipped with test points printed on the circuit board assemblies. These test points refer to the functional blocks:

Table: Test Point Overview

Test point	Circuit	Diagram
A1-A2-A3-..	Audio processing	A8, A9 / A11
C1-C2-C3-..	Control	A7
F1-F2-F3-..	Frame drive and output	A3
I1-I2-I3-..	Tuner & IF	A4
L1-L2-L3-.	Line drive and output	A2
P1-P2-P3-..	Power supply	A1
S1-S2-S3-..	Synchronization	A6
V1-V2-V3-..	Video processing	A5, B1

The numbering is in a logical sequence for diagnostics. Always start diagnosing within a functional block in the sequence of the relevant test points for that block.

Perform measurements under the following conditions:

- Television set in Service Default Alignment Mode.
- Video input: Color bar signal.
- Audio input: 3 kHz left channel, 1 kHz right channel.

Service Modes

Service Default Alignment Mode (SDAM) offers several features for the service technician, while the Customer Service Mode (CSM) is used for communication between the servicer and the customer.

The T8 chassis also offers the option of using ComPair, a hardware interface between a computer and the TV chassis. It offers the abilities of structured troubleshooting, error code reading, and software version readout for all T8 chassis. Minimum requirements for ComPair: a 486 processor, Windows 3.1 and a CD-ROM drive.

Note: ComPair products will become available as they are developed.

Table: Service Modes

SW Cluster	Software name	UOC type	UOC Diversity	Special Features
2US9	L01UM9x.y	TDA9577(SS)	55K ROM Size	Mono (Magnavox)
3US2	L01UN2x.y	TDA9577 (SS) (LS)	55K ROM Size	Stereo non-dBx (Magnavox)
1US5	L01US5x.y	TDA9588 (LS)	64K ROM Size	Stereo non-dBx (Magnavox), Non PIP
2US2	L01UM2x.y	TDA9577 (LS)	55K ROM Size	Mono (Philips)

SW Cluster	Software name	UOC type	UOC Diversity	Special Features
3US3	L01UN3x.y	TDA9577 (SS) (LS)	55K ROM Size	Stereo non- dBx (Philips), CVI
1US4	L01US4x.y	TDA9587 (SS), TDA9588 (LS)	64K ROM Size	Stereo non- dBx (Philips), PIP
<p>Abbreviations in Software name: U = USA (NAFTA), M = Mono, N = Stereo on-dBx and S = Stereo dBx.</p>				

Service Default Alignment Mode (SDAM)

Purpose

- To create a predefined setting for measurements to be made.
- To override software protections.
- To start the blinking LED procedure.
- To change option settings.
- To display / clear the error code buffer.
- To perform alignments.

Specifications

- Tuning frequency: 61.25 MHz (channel 3)
- Color system: NTSC M
- All picture settings at 50% (brightness, color contrast, hue)
- Bass, treble and balance at 50%; volume at 25%.
- All service-unfriendly modes (if present) are disabled. The service unfriendly modes are:
 - (sleep) timer
 - child/parental lock
 - blue mute
 - hotel/hospitality mode
 - auto shutoff (when no "IDENT" video signal is received for 15 minutes)
 - skipping of non-favorite presets / channels
 - auto-storage of personal presets
 - auto user menu timeout
- Run timer (maximum four digits displayed)
- Software version
- Option settings
- Error buffer reading and erasing
- Software alignments

How to enter SDAM

To enter SDAM, use one of the following methods:

- Press the following key sequence on the remote control transmitter:
 - **0-6-2-5-9-6-MENU**
- Do not allow the display to time out between entries while keying the sequence.

- Short jumper wires 9631 and 9641 on the monocarrier (see Fig. 8-1) and apply AC power. Then press the power button (remove the short after start-up).
Caution: Entering SDAM by shorting wires 9631 and 9641 will override the +8V-protection. Do this only for a short period. When doing this, the service-technician must know exactly what he is doing, as it could damage the television set.
- Or via ComPair (with the ComPair "Tools" RC7150 Service Remote, it should be possible to enter SDAM via the ComPair interface IR).

After entering SDAM, the following screen is visible, with S at the upper right side for recognition.

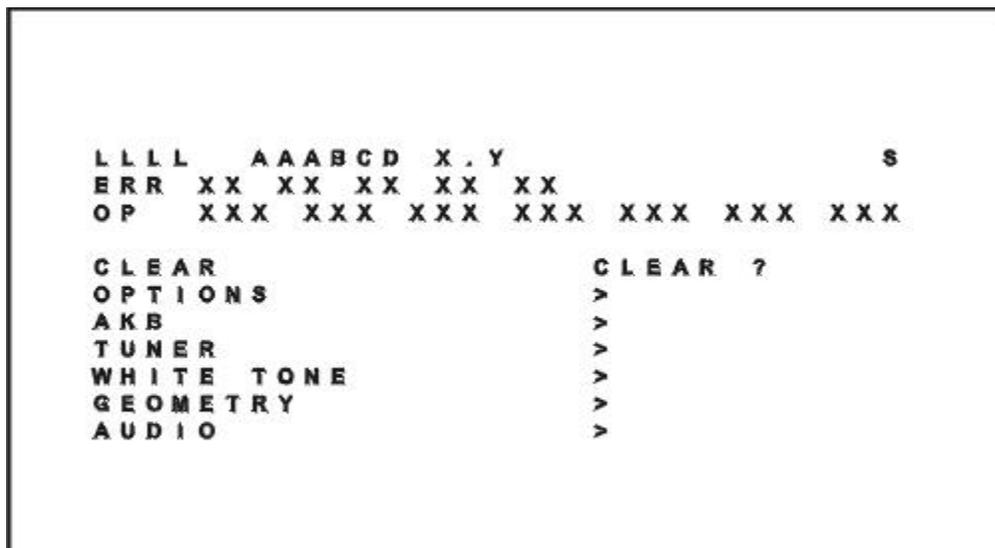


Figure: SDAM Menu

Explanation of SDAM Menu

1. LLLL This represents the run timer. The run timer counts normal operation hours, but does not count standby hours. (maximum four digits displayed).
2. AAABCD-X.Y This is the software identification of the main microprocessor:
 - A = the project name (L01).
 - B = the region: E= Europe, A= Asia Pacific, U= NAFTA, L= LATAM.

- C = the feature of software diversity: N = stereo non-dBx, S = stereo dBx, M = mono, D = DVD
 - D = the language cluster number:
 - X = the main software version number
 - Y = the sub software version number
3. S Indication of the service mode. S= SDAM= Service Default Alignment Mode.
 4. **Error Buffer** Shows all errors detected since the last time the buffer was erased. Five errors possible.
 5. **Option Bytes** Used to set the option bytes. See "Options" in the Alignments section for a detailed description. Seven codes possible.
 6. **Clear** Erases the contents of the error buffer. Select the CLEAR menu item and press the MENU RIGHT key. The contents of the error buffer are cleared.
 7. **Options** Used to set the option bits. See "Options" in the Alignments section for a detailed description.
 8. AKB Used to disable (0) or enable (1) the "black current loop" (AKB = Auto Kine Bias).
 9. **Tuner** Used to align the tuner. See "Tuner" in the Alignments section for detailed description.
 10. **White Tone** Used to align the white tone. See "White Tone" in the Alignments section for a detailed description.
 11. **Geometry** Used to align the geometry settings of the television. See "Geometry" in the Alignments section for a detailed description.
 12. **Audio** No audio alignment is necessary for this television set.

How to navigate in SDAM

- In SDAM, select menu items with the MENU UP/DOWN keys on the remote control transmitter. The selected item will be highlighted. When not all menu items fit on the screen, use the MENU UP/DOWN keys to display the next / previous menu items.
- With the MENU LEFT/RIGHT keys, it is possible to:
 - Activate the selected menu item.
 - Change the value of the selected menu item.
 - Activate the selected submenu.
- In SDAM, when you press the MENU button, the set will switch to the normal user menus (with the SDAM mode still active in the background). To return to the SDAM menu press the STATUS/EXIT button.
- When you press the MENU key in while in an SDAM submenu, you will return to the previous menu.

How to store SDAM settings

To store settings changed in SDAM leave the top level SDAM menu by using the POWER button on the remote control transmitter or the television set.

How to exit SDAM

Switch the set to STANDBY by pressing the POWER button on the remote control transmitter or the television set.

If you turn the television set off by removing the AC power (i.e., unplugging the television) without using the POWER button, the television set will remain in SDAM when AC power is re-applied, and the error buffer is not cleared.

Customer Service Mode (CSM)

Purpose

The Customer Service Mode shows error codes and information on the TV operation settings. The servicer can instruct the customer to enter CSM by telephone and read off the information displayed. This helps the servicer to diagnose problems and failures in the TV set before making a service call.

The CSM is a read-only mode; therefore, modifications are not possible in this mode.

How to enter CSM

To enter CSM, press the following key sequence on the remote control transmitter:

1-2-3-6-5-4

Do not allow the display to time out between entries while keying the sequence.

Upon entering the Customer Service Mode, the following screen will appear:



Figure: CSM Menu

Explanation of CSM Menu

1. Indication of the service mode CSM = Customer Service Mode
2. Reserved.
3. Software identification of the main microprocessor (see "Service Default Alignment Mode" for an explanation)
4. Reserved item.

5. Indicates the type of TV system or whether or not the television is receiving an "IDENT" signal on the selected source. If no "IDENT" signal is detected, the display will read "NOT TUNED"
6. Error code buffer. Displays the last five errors detected in the error code buffer.

How to exit CSM

To exit CSM, use one of the following methods:

- Press the MENU, STATUS/EXIT, or POWER button on the remote control transmitter.
- Press the POWER button on the television set.

Problems and Solving Tips Related to CSM

Picture Problems

Note: The problems described below are all related to the TV settings. The procedures used to change the value (or status) of the different settings are described.

Picture too dark or too bright

If:

- The picture improves when you have press the AUTO PICTURE button on the remote control transmitter, or
- The picture improves when you enter the Customer Service Mode

Then:

1. Press the AUTO PICTURE button on the remote control transmitter repeatedly (if necessary) to choose PERSONAL picture mode.
2. Press the MENU button on the remote control transmitter. This brings up the normal user menu.
3. In the normal user menu, use the MENU UP/DOWN keys to highlight the PICTURE sub menu (if necessary).
4. Press the MENU LEFT/RIGHT keys to enter the PICTURE sub menu.
5. Use the MENU UP/DOWN keys (if necessary) to select BRIGHTNESS.
6. Press the MENU LEFT/RIGHT keys to increase or decrease the BRIGHTNESS value.
7. Use the MENU UP/DOWN keys to select PICTURE.
8. Press the MENU LEFT/RIGHT keys to increase or decrease the PICTURE value.
9. Press the MENU button on the remote control transmitter twice to exit the user menu.
10. The new PERSONAL preference values are automatically stored.

White line around picture elements and text

If:

The picture improves after you have pressed the "Smart Picture" button on the remote control transmitter

Then:

1. Press the AUTO PICTURE button on the remote control transmitter repeatedly (if necessary) to choose PERSONAL picture mode.
2. Press the MENU button on the remote control transmitter. This brings up the normal user menu.

3. In the normal user menu, use the MENU UP/DOWN keys to highlight the PICTURE sub menu (if necessary).
4. Press the MENU LEFT/RIGHT keys to enter the PICTURE sub menu.
5. Use the MENU UP/DOWN keys to select SHARPNESS.
6. Press the MENU LEFT key to decrease the SHARPNESS value.
7. Press the MENU button on the remote control transmitter twice to exit the user menu.
8. The new PERSONAL preference value is automatically stored.

Snowy picture

Enter CSM, by pressing the following key sequence on the remote control transmitter:

1-2-3-6-5-4

Do not allow the display to time out between entries while keying the sequence.

Check CSM line 5. If this line reads "Not Tuned," check the following:

- Antenna not connected. Connect the antenna.
- No antenna signal or bad antenna signal. Connect a proper antenna signal.
- The tuner is faulty (in this case line 6, the Error Buffer line, will contain error number 10). Check the tuner and replace/repair the tuner if necessary.

Black and white picture

If:

- The picture improves after you have pressed the "Smart Picture" button on the remote control transmitter

Then:

1. Press the AUTO PICTURE button on the remote control transmitter repeatedly (if necessary) to choose PERSONAL picture mode.
2. Press the MENU button on the remote control transmitter. This brings up the normal user menu.
3. In the normal user menu, use the MENU UP/DOWN keys to highlight the PICTURE sub menu (if necessary).
4. Press the MENU LEFT/RIGHT keys to enter the PICTURE sub menu.
5. Use the MENU UP/DOWN keys to select COLOR.
6. Press the MENU RIGHT key to increase the COLOR value.
7. Press the MENU button on the remote control transmitter twice to exit the user menu.
8. The new PERSONAL preference value is automatically stored.

Menu text not sharp enough

If:

- The picture improves after you have pressed the "Smart Picture" button on the remote control transmitter.

Then:

1. Press the AUTO PICTURE button on the remote control transmitter repeatedly (if necessary) to choose PERSONAL picture mode.
2. Press the MENU button on the remote control transmitter. This brings up the normal user menu.
3. In the normal user menu, use the MENU UP/DOWN keys to highlight the PICTURE sub menu (if necessary).
4. Press the MENU LEFT/RIGHT keys to enter the PICTURE sub menu.

5. Use the MENU UP/DOWN keys to select PICTURE.
6. Press the MENU LEFT key to decrease the PICTURE value.
7. Press the MENU button on the remote control transmitter twice to exit the user menu.
8. The new PERSONAL preference value is automatically stored.

ComPair

Introduction

ComPair (Computer Aided Repair) is a service tool for Philips Consumer Electronics products. ComPair is a further development of the DST (special remote control transmitter for Service), which allows faster and more accurate diagnostics. ComPair has three big advantages:

- ComPair helps you quickly get an understanding on how to repair the chassis in a short time by guiding you systematically through the repair procedures.
- ComPair allows very detailed diagnostics (on I2C level) and is therefore capable of accurately indicating problem areas. You do not have to know anything about I2C commands yourself because ComPair takes care of this.
- ComPair speeds up the repair time since it can automatically communicate with the chassis (when the microprocessor is working) and all repair information is directly available. When ComPair is installed together with the Force electronic manual of the T8 chassis, schematics and CBAs are only a mouse-click away.

Specifications

ComPair consists of a Windows based faultfinding program and an interface box between PC and the product. The ComPair interface box is connected to the PC via a serial or RS232 cable.

In the case of the L01 chassis, the ComPair interface box and the TV communicate via a bi-directional service cable via the service connector (Connector 0267).

The ComPair faultfinding program is able to determine the problem of the television set. ComPair can gather diagnostic information in two ways:

- Automatic (by communication with the television): ComPair can automatically read the contents of the entire error buffer. Diagnosis is done on I2C level. ComPair can access the I2C bus of the television. ComPair can send and receive I2C commands to the microprocessor of the television. In this way, it is possible for ComPair to communicate (read and write) to devices on the I2C busses of the TV-set.
- Manually (by asking questions to the servicer): Automatic diagnosis is only possible if the microprocessor of the television is working correctly, and only to a certain extent. When this is not the case, ComPair will guide you through the faultfinding tree by asking you questions (for example; Does the screen give a picture? Click on the correct answer: YES / NO) and showing you examples (for example; Measure test-point I7 and click on the correct oscillogram you see on the oscilloscope). You can answer by clicking on a link (for example, text or a waveform picture) that will bring you to the next step in the faultfinding process.

By a combination of automatic diagnostics and an interactive question and answer procedure, ComPair will enable you to find most problems in a fast and effective way.

Beside fault finding, ComPair provides some **additional features** like:

- Uploading or downloading of presets.
- Management of preset lists.

- If both ComPair and the Force electronic service manual are installed, all the schematics and CBAs of the television set are available by clicking on the appropriate hyperlink. Example: Measure the DC-voltage on capacitor C2568 (Schematic/Panel) at the Monocarrier. Click on the "Panel" hyperlink to automatically show the CBA with a highlighted capacitor C2568. Click on the "Schematic" hyperlink to automatically show the electronic position of the highlighted capacitor.

How To Connect

1. First install the ComPair Browser software (see the Quick Reference Card for installation instructions).
2. Connect the RS232 interface cable between a free serial (COM) port of your PC and the PC connector (marked with "PC") of the ComPair interface.
3. Connect the AC power adapter to the supply connector (marked "POWER 9V DC") on the ComPair interface.
4. Switch the ComPair interface OFF.
5. Switch the television set OFF (and remove the AC power).
6. Connect the ComPair interface cable between the connector on the rear side of the ComPair interface (marked "I2C") and the ComPair connector on the mono carrier (Connector0267).
7. Plug the AC power adapter in the AC power outlet and switch on the ComPair interface. The green and red LEDs light up together. The red LED turns off after approximately 1 second, while the green LED remains lit.
8. Start the ComPair program and read the "introduction" chapter.

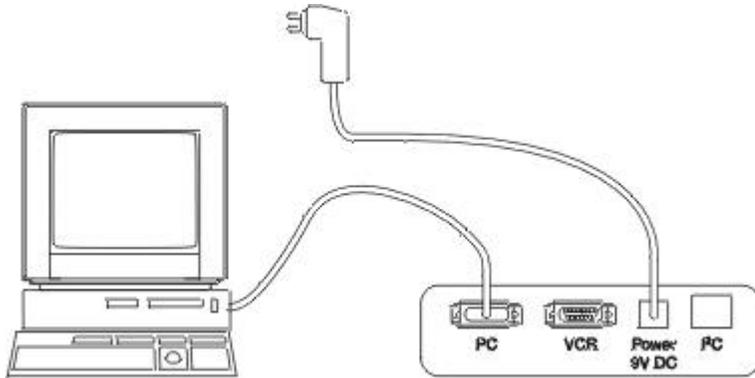


Figure: ComPair Connection

How To Order

ComPair order codes:

- ComPair Interface Box 4822 727 21631
- CDR Interface board 3122 785 90200
- TV cable 3122 785 90004
- DVD cable 3122 785 90017
- BETA CALIBRATION DISK 7104 099 93132
- Extra Com Cable S83-940
- AC Adapter T405-ND

Error Buffer

The error code buffer contains all errors detected since the last time the buffer was erased. The buffer is written from left to right. When an error occurs that is not yet in the error code buffer, it is displayed at the left side and all other errors shift one position to the right.

How To Read The Error Buffer

You can read the error buffer in 3 ways:

- On screen via the SDAM (if you have a picture). Examples:
 - ERROR: 0 00 0 0 : No errors detected
 - ERROR: 6 0 0 0 0 : Error code 6 is the last and only detected error
 - ERROR: 9 6 0 0 0 : Error code 6 was detected first and error code 9 is the last detected (newest) error
- Via (when you have no picture). See "The Blinking LED Procedure"
- Via ComPair.

How To Clear The Error Buffer

- The error code buffer is cleared in the following cases:
- By using the CLEAR command in the SDAM menu:
 - To enter SDAM, press the following key sequence on the remote control transmitter:
 - **0-6-2-5-9-6-MENU**
 - Do not allow the display to time out between entries while keying the sequence.
 - Make sure the menu item CLEAR is highlighted. Use the MENU UP/DOWN buttons, if necessary.
 - Press the MENU RIGHT button to clear the error buffer. The text on the right side of the "CLEAR" line will change from "CLEAR?" to "CLEARED"
- If the contents of the error buffer have not changed for 50 hours, the error buffer resets automatically.

Note:

If SDAM is exited by disconnecting the AC power from the television set, the error buffer is not reset.

Error Codes

In case of non-intermittent faults, write down the errors present in the error buffer and clear the error buffer before you begin the repair.

This ensures that old error codes are no longer present.

If possible, check the entire contents of the error buffer. In some situations an error code is only the result of another error and not the actual cause of the problem (for example, a fault in the protection detection circuitry can also lead to a protection).

Table: Error Code Table

ERROR	Device	Error description	Check item	Diagram
0	Not applicable	No Error		
1	Not applicable	X-Ray Protection	2465, 7460	A2
2	Not applicable	Horizontal Protection	7460, 7461, 7462, 7463, 6467	A2
3	TDA8359/TDA9302	Vertical Protection	7861, VloAux +13v	A2, A3
4	MSP34X5/TDA9853	MAP I2C identification error	7831, 7861	A9 or A11
5	TDA95XX	POR 3.3V / 8V Protection	7200, 7560, 7480	A1, A2. A5, A6, A7

ERROR	Device	Error description	Check item	Diagram
6	I2C bus	General I2C bus error	7200, 3624, 3625	A7
7	Not applicable	-	-	-
8	Not applicable	E/W Protection (Large Screen)	7400, 3405, 3406, 3400	A2
9	M24C08	NVM I2C identification error	7602, 3611, 3603, 3604	A7
10	Tuner	Tuner I2C identification error	1000, 7482	A2, A4
11	TDA6107/8	Black current loop protection	7330, RGB amps, CRT	B1, B2
12	M65669	MAP I2C identification error	7803	P

Note: Error 7 is not applicable.

The Blinking LED Procedure

Using this procedure, you can make the contents of the error buffer visible via the front LED. This is especially useful when there is no picture.

When the SDAM is entered, the LED will blink the contents of the error-buffer:

- 1-12 short blinks (indicates error number 1-12)
- when all the error-codes are displayed, the sequence finishes with an "ON" LED blink of 3 seconds
- the sequence starts again

Example of error buffer: 12 9 6 0 0

After entering SDAM, the following occurs:

- 12 short blinks followed by a pause of 3 seconds
- 9 short blinks followed by a pause of 3 seconds
- 6 short blinks followed by a pause of 3 seconds
- 1 long "ON" blink of 3 seconds to finish the sequence
- the sequence starts again.

Protections

If a fault situation is detected, an error code will be generated; and, if necessary, the television set will go in to protection mode. Blinking of the red LED at a frequency of 3 Hz indicates the protection mode. In some error cases, the microprocessor does not put the set in protection mode. The error codes of the error buffer and the blinking LED procedure can be read via the Service Default Alignment Menu (SDAM), or via ComPair.

To get a quick diagnosis the chassis has two service modes implemented:

- The Customer Service Mode (CSM).
- The Service Default Alignment Mode (SDAM).

For a detailed description see Chapter 9 paragraphs 3.4 and 4.5.

Repair Tips

Below some failure symptoms are given, followed by a repair tip.

- **Set is dead and makes hiccupping sound**

"Main Power Supply" is available. Hiccupping stops when L5561 is de-soldered, meaning that problem is in the "Main Power Supply" line. No output voltages at LOT, no horizontal deflection. Reason: line transistor 7460 is defective.

- **Set is dead, and makes no sound**

Check power supply IC 7520. Result: voltage at pins 1,3, 4, 5 and 6 are about 180 V and pin 8 is 0 V. The reason why the voltage on these pins is so high is because the output driver (pin6) has an open load. That is why MOSFET 7521 is not able to switch. Reason: feedback resistor 3523 is defective. **Caution:** Be careful measuring the gate of 7521; circuitry is very high ohmic and can easily be damaged!

- **Set is in hiccup mode and shuts down after 8 seconds** Blinking LED (set is in SDAM mode) indicates error 5. As it is unlikely that P "POR" and "+8V protection" happen at the same time, measure the "+8V" supply. If this voltage is missing, check transistor 7480.

- **Set is in non-stop hiccup mode**

Set is in over-current mode; check the secondary sensing (optocoupler 7515) and the "Main Power Supply" voltage. Signal "Stdbby_con" must be logic low under normal operation conditions and goes to high (3.3 V) under standby and fault conditions.

- **Set turns on, but without picture and sound**

The screen shows snow, but OSD and other menus are okay. Blinking LED procedure indicates error 11, so problem is expected in the tuner (part reference number 1000). Check presence of supply voltages. "Vlotaux+5V" voltages at pin 5 and 7 are okay; "VT_supply" at pin 9 is missing. Conclusion: resistor 3460 is defective.

- **Set turns on, but with a half screen at the bottom. Sound is okay**

Blinking LED (set is in SDAM mode) indicates error 3. Check "Vlotaux+11V" and "+50V". If they are okay, problem is expected in the vertical amplifier IC 7471. Use an oscilloscope to measure the waveform on pin 17 of the UOC. Also measure the waveform at pin 1 of IC 7471. If the signal there is missing, a defective resistor R3244 caused the problem.

Alignments

Index of this chapter:

1. General Alignment Conditions
2. Commercial Models SDAM Entry
3. Hardware Alignments
4. Software Alignments and Settings

Note: The Service Default Alignment Mode (SDAM) is described in the "Service Modes, Error Codes and Fault Finding" section. SDAM menu navigation is performed by using the MENU UP, MENU DOWN, MENU LEFT, and MENU RIGHT keys of the remote control transmitter.

General Alignment Conditions

Perform all electrical adjustments under the following conditions:

AC voltage and frequency: 110 V ($\pm 10\%$), 60 Hz ($\pm 5\%$).

Connect the television set to the AC power via an isolation transformer.

Allow the television set to warm up for approximately 20 minutes.

Measure the voltages and waveforms in relation to chassis ground (with the exception of the voltages on the primary side of the power supply). Never use heatsinks as ground.

Test probe: $R_i > 10\text{ MO}$; $C_i < 2.5\text{ pF}$.

Use an isolated trimmer/screwdriver to perform the alignments.

Service Default Alignment Mode (SDAM) Entry for Commercial Models

Note: For commercial models, a master setup remote control is required in order to access the Service Default Alignment Mode (SDAM).

1. Use the master setup remote control to identify the television's operational mode (either "consumer" or "commercial"). Place the master setup remote control in *setup mode* by pressing the TV SETUP key.
2. Press the RECALL key. Information similar to the following will be displayed.

Status Item	Status Data	Meaning
SYSTEM STATUS (L011TV-US4PV)		<i>Information title</i>
MODE	COMMERCIAL/CONSUMER	<i>Operational mode</i>
CHANNEL	CHANNEL, INPUT	<i>Currently tuned channel/input</i>
DCM	OFF/ON	<i>Data Comm. Module online/offline</i>
CODES	209 222 1 33	<i>Internal data for factory/service use</i>
SIGNAL	TUNED/NOT TUNED	<i>Valid signal present/absent</i>
OP HRS	0031h	<i>Number of hours set has operated (hex)</i>
ERRORS	0 0 0 0 0	<i>Internal data for factory/service use</i>
VERSION	3.3	<i>Microprocessor software version</i>

- To change the television's mode, ensure the master setup remote control is in *setup mode*, then press the 0-2-4-9-9-5-MENU keys in order, without permitting the display to time out while entering the key sequence.

Note: *If the operational mode is changed, the television must be turned off and then back on to complete the mode change. When the television is in consumer mode, do not use the master setup remote control to activate commercial mode features.*

- When the television is in commercial mode, the Institutional Television Menu may be accessed by pressing the MENU button. Though the specific items in the menu will vary, information similar to the following will be displayed.

Menu Item	Settings / Options
(MENU TITLE)	SETUP MENU / MAIN MENU
LANGUAGE	ENGLISH / ESPANOL / FRANCAIS
CHANNEL INSTALL	>
CABLE TUNING	ON / OFF
BRIGHTNESS	--- --- 31
COLOR	--- --- 31
CONTRAST	--- --- 31
SHARPNESS	--- --- 31
TINT	--- --- 0
NOISE REDUCTION	ON / OFF
SOUND MODE	MONO / STEREO
SAP	OFF / NO SAP / ON
AUDIO OUT	FIXED / VARIABLE
BALANCE	--- --- 0
TREBLE	--- --- 31
BASS	--- --- 31
INCRD STEREO	ON / OFF
AVL	ON / OFF
VOLUME BAR	ON / OFF
MIN VOLUME	----- 0
MAX VOLUME	----- 63
SWITCH ON VOLUME	--- --- 31

SWITCH ON CHANNEL	CH. 1-125 / FRONT / AUX / S-VIDEO / CVI / STANDARD
POWER ON	STANDARD / FORCED
CHANNEL DISPLAY	NUMBER / LABEL / ALL / NONE
KEYBOARD LOCK	ON / OFF
ESP	1 – 99 / OFF
AUDIO / VIDEO MUTE	OFF / BLACK / BLUE
EXT AUD / VID OUT	ON / OFF
WELCOME MESSAGE	>
CHANNEL GUIDE	POWER ON / OFF / ON
REMINDER	ON / OFF
3 DIGIT ENTRY	ON / OFF
A/CH A/V SWITCH	ON – OFF
CC	OFF / CC-1 / CC-2 / CC ON MUTE
SAVE CC	ON / OFF
V-CHIP MENU ITEM	ON / OFF
SAVE V-CHIP	ON / OFF
V-CHIP SETUP	>
SLEEPTIMER	OFF / 15 / 30 / 45 / 60 / 90 / 120 / 180 / 240
EXIT	>

5. After making changes to the settings, the EXIT option may be used to leave the Institutional Television Menu.

Hardware Alignments

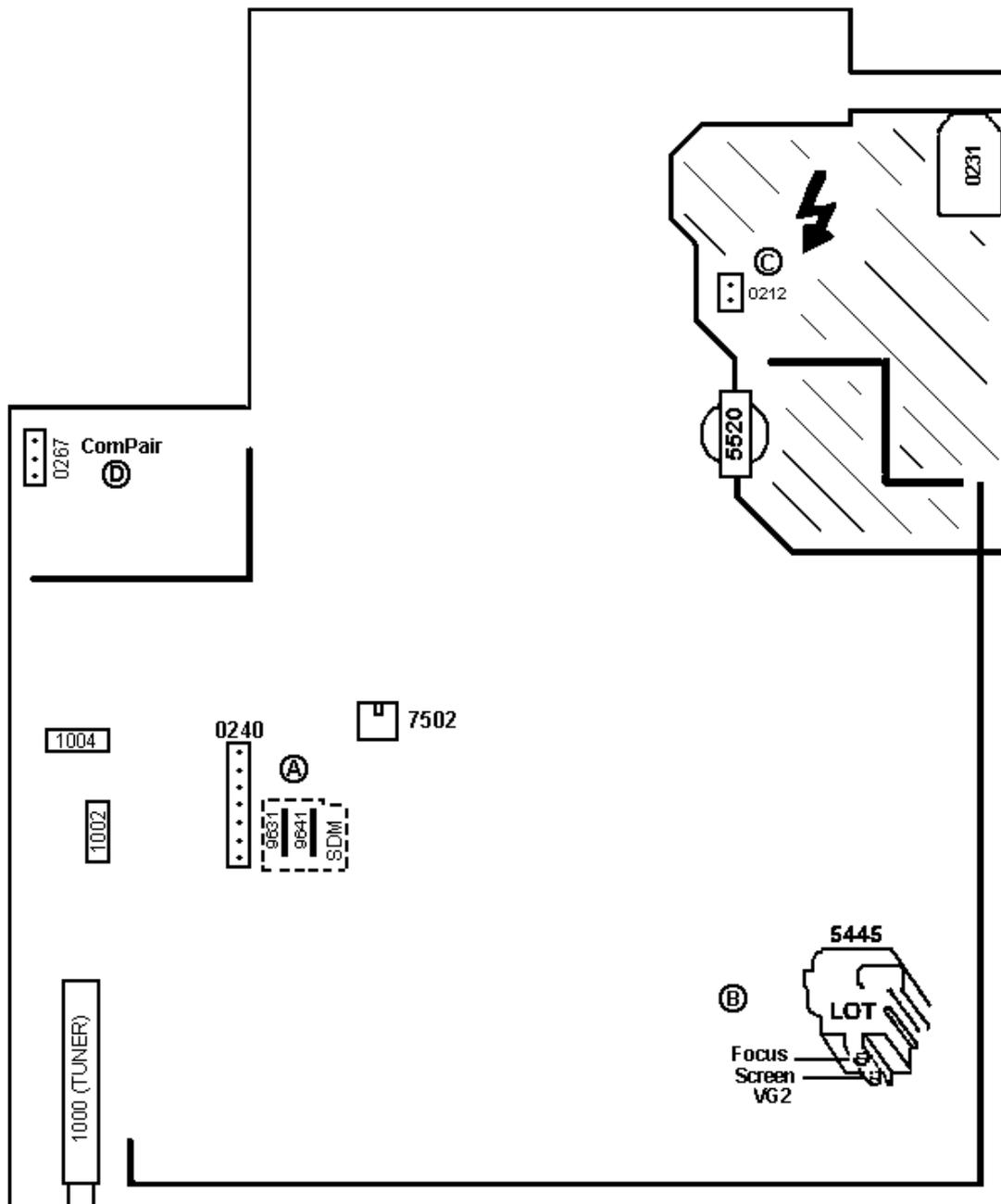


Figure: Mono Carrier (Top View) LS

Vg2 Adjustment

1. Enter SDAM:
2. Press the following key sequence on the remote control transmitter:
0-6-2-5-9-6-MENU
Do not allow the display to time out between entries while keying the sequence.
3. Use the MENU UP/DOWN keys to highlight the WHITE TONE sub menu.
4. Press the MENU LEFT or MENU RIGHT key to enter the WHITE TONE sub menu.
5. In the WHITE TONE sub menu, press the MENU UP/DOWN keys to select NORMAL RED, NORMAL GREEN, or NORMAL BLUE.
6. Use the MENU LEFT/RIGHT keys to set the values of NORMAL RED, NORMAL GREEN and NORMAL BLUE to 40.
7. Press the MENU button twice to enter the normal user menu.
8. In the normal user menu, use the MENU UP/DOWN keys to highlight the PICTURE sub menu (if necessary).
9. Press the MENU LEFT/RIGHT keys to enter the PICTURE sub menu.
10. Use the MENU UP/DOWN keys to select PICTURE. Be sure to record the current value of PICTURE.
11. Use the MENU LEFT/RIGHT keys to set the value of PICTURE to zero.
12. Use the MENU UP/DOWN keys to select BRIGHTNESS. Be sure to record the current value of BRIGHTNESS.
13. Use the MENU LEFT/RIGHT keys to set the value of BRIGHTNESS to minimum (OSD just visible in a dark room).
14. Press the MENU button twice to return to the top level SDAM menu.
15. Press the STATUS/EXIT button to hide the SDAM onscreen display.
16. Connect the RF output of a video pattern generator to the antenna input.
17. Input a "black picture" test pattern to the television set.
18. Set the oscilloscope to 50 V/div and the time base to 0.2 milliseconds (external triggering on the vertical pulse).
19. Ground the scope at the CRT panel and connect a 10:1 probe to one of the cathodes of the picture tube socket (see schematic diagram B).
20. Measure the cut off pulse during first full line after the frame blanking (see Fig. 8-2). You will see two pulses, one being the cut off pulse and the other being the white drive pulse. Choose the one with the lowest value; this is the cut off pulse.
21. Select the cathode with the highest VDC value for the alignment. Adjust the V Cut-Off of this gun with the SCREEN potentiometer (see Fig. 8-1) on the LOT to the correct value (see table below).
22. Press the STATUS/EXIT button to display the SDAM onscreen display.
23. Press the MENU button to enter the normal user menu.
24. In the normal user menu, use the MENU UP/DOWN keys to highlight the PICTURE sub menu (if necessary).
25. Press the MENU LEFT/RIGHT keys to enter the PICTURE sub menu.

26. Use the MENU UP/DOWN keys to select PICTURE.
27. Use the MENU LEFT/RIGHT keys to reset the value of PICTURE to the original value.
28. Use the MENU UP/DOWN keys to select BRIGHTNESS.
29. Use the MENU LEFT/RIGHT keys to reset the value of BRIGHTNESS to the original value.
30. Press the MENU button twice to return to the top level SDAM menu.
31. Use the POWER button on the remote control transmitter or the POWER button on the television set to turn off the television set. This will save the changes made in SDAM.

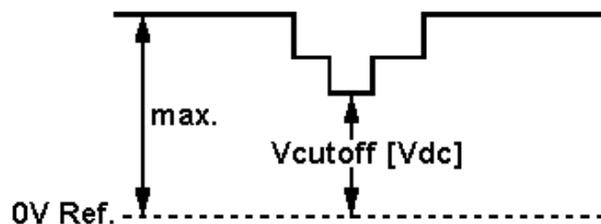


Figure: V Cut-Off

Table: Cut-off Voltage, Large Screen

Screen Size	Cut-off Voltage
25/28Tesla, 25/28BLD	+140V +/- 4V
20RF/21RF/25RF/29RF, 21RF Pin-Free, 25"HF LA, 25V/27V/32V/35V/25"/33"/28BLS, 29", 29SF EU,	+145V +/- 4V
21RF AP/CH, 25" AP/CH, 25RF/29RFAP/CH, 29SF AP	+155V +/- 4V
21RF Ph, 24/28/32WS BLD, 29RF (Eu), 28/32WSRF	+160V +/- 4V

Focusing

1. Connect the RF output of a video pattern generator to the antenna input.
2. Input a circle or crosshatch test pattern to the television set.
3. Press the AUTO PICTURE button on the remote control transmitter repeatedly to choose PERSONAL or MOVIES picture mode.
4. Adjust the FOCUS potentiometer (see Fig. 8-1) until the vertical lines near the left and right sides of the screen, and near the horizontal center of the screen, are at minimum width without visible haze.

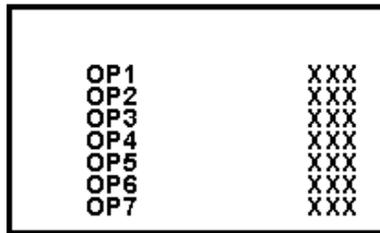
Software Alignments and Settings

The following options are performed in the Service Default Alignment Mode (SDAM). SDAM is described in the "Service Modes, Error Codes and Fault Finding" section.

The following alignments are explained:

1. OPTIONS
2. TUNER
3. WHITE TONE
4. GEOMETRY
5. AUDIO

Options



OP1	XXX
OP2	XXX
OP3	XXX
OP4	XXX
OP5	XXX
OP6	XXX
OP7	XXX

Figure: Options Menu

Options are used to control the presence or absence of certain features and hardware.

How to change an Option Byte

An Option Byte represents a number of different options. Changing these bytes directly makes it possible to set all options very quickly. All options are controlled via seven option bytes.

To change Option Byte(s):

1. Enter SDAM:
Press the following key sequence on the remote control transmitter:
0-6-2-5-9-6-MENU
Do not allow the display to time out between entries while keying the sequence.
2. Use the MENU UP/DOWN keys to highlight the OPTIONS sub menu.
3. Press the MENU LEFT or MENU RIGHT key to enter the OPTIONS sub menu.
4. In the OPTIONS sub menu, press the MENU UP/DOWN keys to select OP 1 through OP 7.

5. Use the number keys on the remote control transmitter to enter a new value for the selected option byte. The value must be entered as a three-digit value (for example, "4" would be entered as "0-0-4").
6. The selected value must be between 0 and 255.
7. When all desired changes to the option bytes are made, press the MENU button to return to the top level SDAM menu. This will save changes to the option byte settings.
8. To ensure the option byte changes take effect: Turn the television set OFF by using the POWER button on the remote control transmitter or the local keyboard. Disconnect the television set from AC power for at least ten seconds. Reconnect the television set to AC power. Turn the television set ON by using the POWER button on the remote control transmitter or the local keyboard.

T8 Option Byte Codes

MODEL	OPTION BYTES						
	OP1	OP2	OP3	OP4	OP5	OP6	OP7
20RF40 S321	* NOT AVAILABLE						
20RF40 S325	* NOT AVAILABLE						
20RF50 S321	0	23	129	162	252	152	0
20RF50 S325	0	23	129	162	252	152	0
21PT63 9A85	* NOT AVAILABLE						
21PT83 9B85	* NOT AVAILABLE						
25PS40 S321	0	23	1	1	144	153	0
25PS40 S325	0	23	1	1	144	153	0
25PS50 S321	0	23	1	162	252	152	0
26LL50 0131	16	23	1	1	144	153	0
26LW50 2231	16	23	1	162	252	152	0
27PS50 B321	0	23	1	162	252	152	0
27PS55 S321	0	23	1	162	252	152	0
27PS60 S321	0	23	1	162	253	152	0
27RF50 S325	0	23	129	162	252	152	0
27RF72 S325	* NOT AVAILABLE						
29LL60 0131	16	23	1	162	252	152	0
29LW60 2231	16	23	1	162	252	152	0
29PV70 2235	16	23	129	162	252	152	0
32PS55 S321	0	23	129	162	252	152	0
32PS60 B321	0	23	129	162	253	152	0
32PS61 S321	0	23	129	162	253	152	0
33LL80 1131	0	23	129	162	253	152	0
CH0119 C322	133	16	2	132	0	-	-
CH0127 C321	213	18	2	64	0	-	-
MS2530 C321	0	5	0	10	192	9	0
HC0113 C321	1	16	148	148	0	-	-
HC0119 C322	1	16	148	148	0	-	-
MS2530 C325	0	5	0	10	192	9	0
MS2730 C321	0	5	0	1	192	9	0

MS3250 C321	0	215	129	162	164	88	0
MS3650 C329	0	215	129	162	164	88	0
PA0113 C321	221	218	35	36	128	-	-
PA0132 C321	223	222	43	40	0	-	-
PC0119 C322	133	16	2	132	0	-	-
PC0125 C321	133	16	2	64	0	-	-
PC0127 C321	213	18	2	64	0	-	-
PCW227 C321	213	222	3	33	0	-	-
PCW227 S321	213	222	3	33	0	-	-
PL0119 C322	1	16	0	132	128	-	-
PL0125 C321	1	16	0	128	128	-	-
PL0127 C321	193	16	0	64	128	-	-
PLW225 S321	213	254	3	35	128	-	-
PPC132 C321	223	222	43	40	0	-	-
PPC132 C331	223	222	43	40	0	-	-
PPC136 C327	223	222	43	40	0	-	-
PRF227 S325	215	254	3	35	128	-	-
SC3127 N321	213	18	2	64	0	-	-
SC3132 N321	223	222	43	40	0	-	-
SC3132 N331	223	222	43	40	0	-	-

* Option Byte Data for these models was not available at manual release.
Refer to future updates to this manual regarding these models.

Tuner

Note: Described alignments are only necessary when the NVM (part reference number 7602) is replaced.

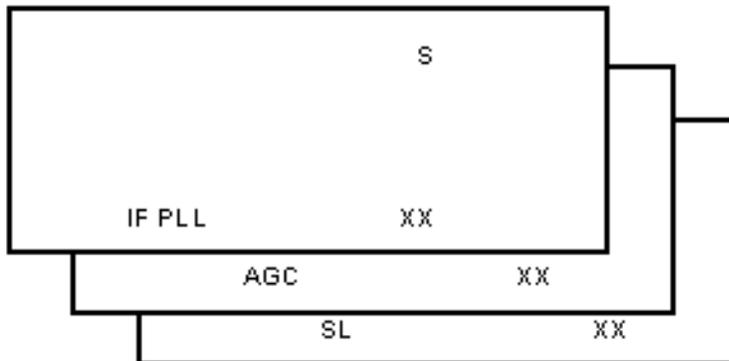


Figure: Tuner Menu

IF PLL

This adjustment is auto-aligned. Therefore, no action is required.

AGC (AGC take over point)

1. Connect the RF output of a video pattern generator to the antenna input.
2. Input a color bar test pattern to the television set.
3. Set the amplitude of the video pattern generator to 10 mV and set the frequency to 61.25 MHz (channel 3).
4. Connect a DC multimeter to pin 1 of the tuner(item 1000 on the main chassis).
5. Enter SDAM:
Press the following key sequence on the remote control transmitter:
0-6-2-5-9-6-MENU Do not allow the display to time out between entries while keying the sequence.
6. Use the MENU UP/DOWN keys to highlight the TUNER sub menu.
7. Press the MENU LEFT/RIGHT keys to enter the TUNER sub menu.
8. Use the MENU UP/DOWN keys to select AGC.
9. Use the MENU LEFT/RIGHT keys to adjust the AGC value (default value is 27) until the voltage at pin 1 of the tuner lies between 3.8V and 2.3V.
10. Press the MENU button to return to the top level SDAM menu.
11. To ensure the AGC change takes effect: Turn the television set OFF by using the POWER button on the remote control transmitter or the local keyboard. Disconnect the television set from AC power for at least ten seconds. Reconnect the television set to AC power. Turn the television set ON by using the POWER button on the remote control transmitter or the local keyboard.

SL (Slicing Level)

This adjustment sets the sync slicing level for non-standard signals.

SL should be turned ON to help correct picture instability in premium decoded cable channels.

OFF: slicing level dependent on noise detector

ON: fixed slicing level of 70%

To adjust SL:

1. Enter SDAM:
Press the following key sequence on the remote control transmitter:
0-6-2-5-9-6-MENU Do not allow the display to time out between entries while keying the sequence.
2. Use the MENU UP/DOWN keys to highlight the TUNER sub menu.
3. Press the MENU LEFT/RIGHT keys to enter the TUNER sub menu.

4. Use the MENU UP/DOWN keys to select SL.
5. Use the MENU LEFT/RIGHT keys to toggle SL "Off" and "On"
6. Press the MENU button to return to the top level SDAM menu.
7. To ensure the SL setting is saved: Turn the television set OFF by using the POWER button on the remote control transmitter or the local keyboard. Disconnect the television set from AC power for at least ten seconds. Reconnect the television set to AC power. Turn the television set ON by using the POWER button on the remote control transmitter or the local keyboard.

White Tone

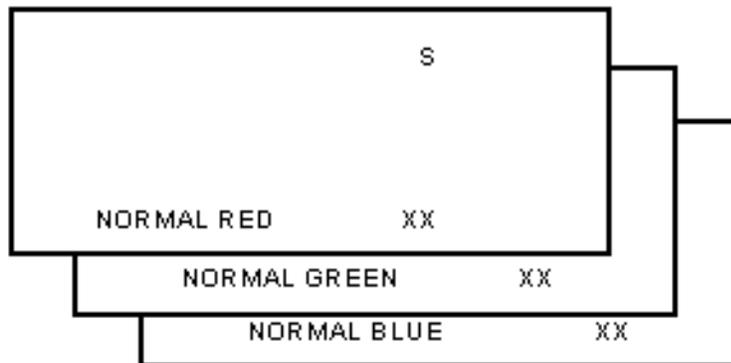


Figure: White Tone Menu

The values of the black cut off level can be adjusted in the WHITE TONE sub menu. Normally, no alignment is needed for WHITETONE, and the given default values are used.

Default settings:

NORMAL (color temperature = 9600 K):

NORMAL RED = 40

NORMAL GREEN = 40

NORMAL BLUE = 40

To adjust NORMAL RED, NORMAL GREEN, and NORMAL BLUE:

1. Enter SDAM:

Press the following key sequence on the remote control transmitter:

0-6-2-5-9-6-MENU Do not allow the display to time out between entries while keying the sequence.

2. Use the MENU UP/DOWN keys to highlight the WHITE TONE sub menu.
3. Press the MENU LEFT/RIGHT keys to enter the WHITE TONE sub menu.
4. Use the MENU UP/DOWN keys to select NORMAL RED, NORMAL GREEN, or NORMAL BLUE.
5. Use the MENU LEFT/RIGHT keys to adjust the value of NORMAL RED, NORMAL GREEN, or NORMAL BLUE.
6. When all desired changes to the WHITE TONE submenu values are made, press the MENU button to return to the top level SDAM menu.
7. To ensure the WHITE TONE settings are saved: Turn the television set OFF by using the POWER button on the remote control transmitter or the local keyboard. Disconnect the television set from AC power for at least ten seconds. Reconnect the television set to AC power. Turn the television set ON by using the POWER button on the remote control transmitter or the local keyboard.

Geometry

The geometry alignments menu contains several Items for correct picture geometry alignment.

1. Connect the RF output of a video pattern generator to the antenna input.
2. Input a crosshatch test pattern to the television set.
3. Set the amplitude of the video pattern generator to at least 1 mV and set the frequency to 61.25 MHz (channel 3).
4. Press the AUTO PICTURE button on the remote control transmitter repeatedly to choose PERSONAL or MOVIES picture mode.
5. Enter SDAM:
Press the following key sequence on the remote control transmitter:
0-6-2-5-9-6-MENU Do not allow the display to time out between entries while keying the sequence.
6. Use the MENU UP/DOWN keys to highlight the GEOMETRY sub menu.
7. Press the MENU LEFT/RIGHT keys to enter the GEOMETRY sub menu.
8. Use the MENU UP/DOWN keys to highlight either the HORIZONTAL sub menu or the VERTICAL sub menu.
9. Press the MENU LEFT/RIGHT keys to enter either the HORIZONTAL sub menu or the VERTICAL sub menu.
10. Use the MENU UP/DOWN keys to select items in the HORIZONTAL sub menu or the VERTICAL sub menu.
11. Use the MENU LEFT/RIGHT keys to adjust the values of items in the HORIZONTAL and VERTICAL sub menus.
12. When all desired changes to the HORIZONTAL and VERTICAL sub menu values are made, press the MENU button twice to return to the top level SDAM menu.

13. To ensure the GEOMETRY settings are saved: Turn the television set OFF by using the POWER button on the remote control transmitter or the local keyboard. Disconnect the television set from AC power for at least ten seconds. Reconnect the television set to AC power. Turn the television set ON by using the POWER button on the remote control transmitter or the local keyboard.

The following alignments can be performed in the GEOMETRY submenu:

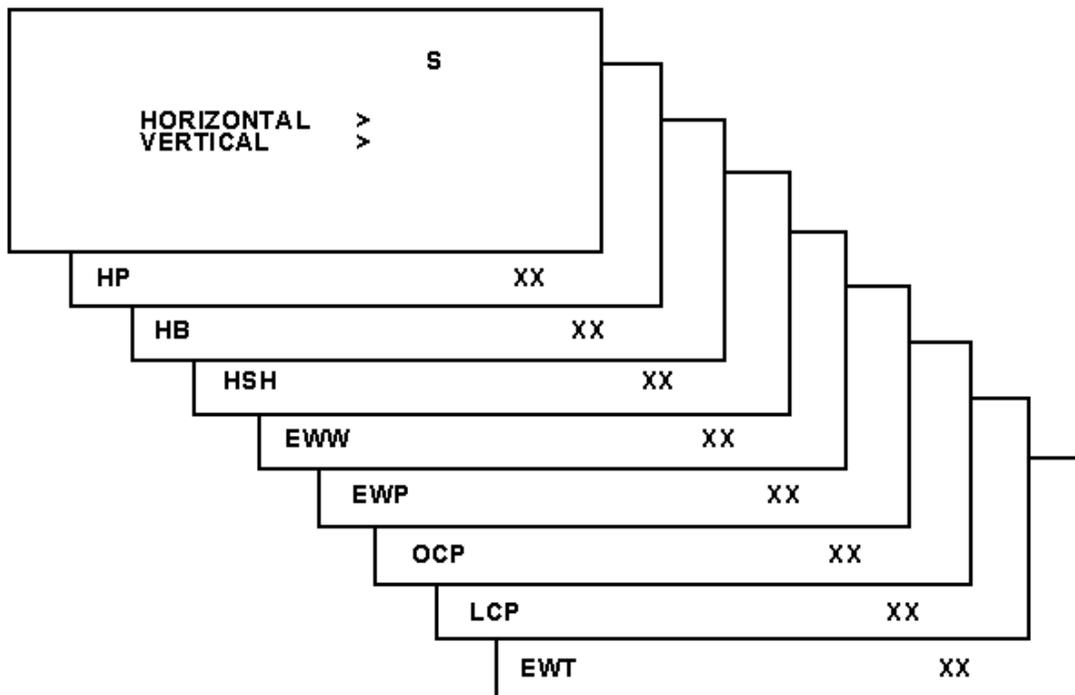


Figure: Horizontal Menu

Horizontal:

Horizontal Parallelogram (HP) Aligns straight vertical lines at the top and the bottom of the screen; vertical rotation around the center.

Horizontal Bow (HB) Aligns straight horizontal lines at the top and the bottom of the screen; horizontal rotation around the center.

Horizontal Shift (HSH) Aligns the horizontal center of the picture to the horizontal center of the CRT.

East West Width (EWW) Aligns the width of the picture.

East West Parabola (EWP) Aligns straight vertical lines at the sides of the screen.

Upper Corner Parabola (UCP) Aligns straight vertical lines in the upper corners of the screen.

Lower Corner Parabola (LCP) Aligns straight vertical lines in the lower corners of the screen.

East West Trapezium (EWT) Align straight vertical lines at the middle of the screen.

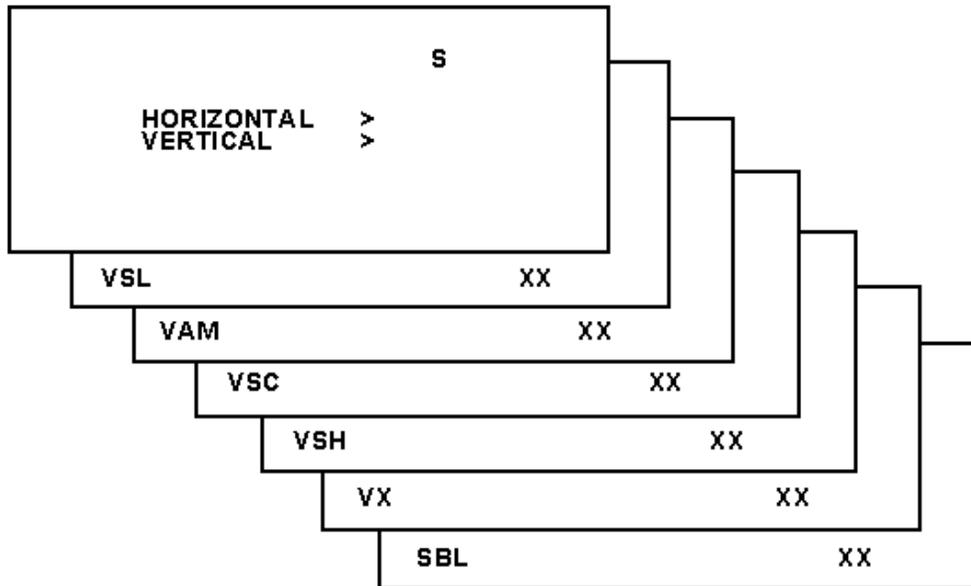


Figure: Vertical Menu

Vertical:

Vertical slope (VSL) Aligns the picture so the proportions are the same at the top and bottom of the screen. This alignment must be performed first, before all other vertical alignments. Turning SBL ON will assist in performing this alignment.

Vertical Amplitude (VAM) Aligns the height of the picture (other vertical alignments are NOT compensated).

Vertical S-Correction (VSC) Aligns the vertical linearity, so that the vertical intervals of the grid-patterns are the same over the entire height of the screen.

Vertical Shift (VSH) Aligns the vertical center of the picture to the vertical center of the CRT. After performing this alignment, it may be necessary to perform the VAM alignment again.

Vertical Zoom (VX) Adjusts picture height.

Service Blanking (SBL) Turns the blanking of the lower half of the screen ON or OFF (to be used in combination with the vertical slope alignment).

The table below lists the default GEOMETRY values for the different television sets.

Table: Default Geometry Values

Alignment	Description	20RFL260/37R BTSC NON- DBX	21PT839B/85R BTSC DBX	27RFL260/37R BTSC DBX	20RFL250/37R BISONIC	21PT639A/85R BISONIC
HP	Hor. Parallelogram	31	33	33	31	33
HB	Hor. Bow	30	30	30	30	30
HSH	Hor. Shift	35	39	39	35	39
EWV	East West Width	34	35	35	34	35
EWP	East West Parabola	33	22	22	33	22
UCP	Upper Corner Parabola	35	41	41	35	41
LCP	Lower Corner Parabola	35	41	41	35	41
EWT	East West Trapezium	43	31	31	43	31
VSL	Vert. Slope	33	31	31	33	31
VAM	Vert. Amplitude	33	25	25	33	25
VSC	Vert. S -correction	32	35	35	32	35
VSH	Vert. Shift	35	21	21	35	21
VX	Vert. Zoom	33	25	25	33	25

Audio

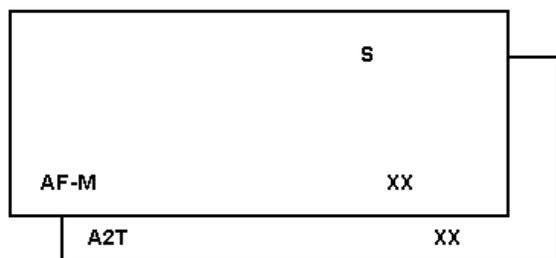


Figure: Audio Menu

No alignments are necessary for the AUDIO sub menu. Use the default values.

AF-M

Default value is 300.

A2T

TV A2 Threshold

Default value is 250.

To adjust AF-M:

1. Enter SDAM:
Press the following key sequence on the remote control transmitter:
0-6-2-5-9-6-MENU Do not allow the display to time out between entries while keying the sequence.
2. Use the MENU UP/DOWN keys to highlight the AUDIO sub menu.
3. Press the MENU LEFT/RIGHT keys to enter the AUDIO sub menu.
4. Use the MENU UP/DOWN keys to select AF-M.
5. Use the MENU LEFT/RIGHT keys to adjust the value of AF-M to 300.
6. Press the MENU button to return to the top level SDAM menu.
7. To ensure the AF-M setting is saved: Turn the television set OFF by using the POWER button on the remote control transmitter or the local keyboard. Disconnect the television set from AC power for at least ten seconds. Reconnect the television set to AC power. Turn the television set ON by using the POWER button on the remote control transmitter or the local keyboard.

To adjust A2T:

1. Enter SDAM:
Press the following key sequence on the remote control transmitter:
0-6-2-5-9-6-MENU Do not allow the display to time out between entries while keying the sequence.
2. Use the MENU UP/DOWN keys to highlight the AUDIO sub menu.
3. Press the MENU LEFT/RIGHT keys to enter the AUDIO sub menu.
4. Use the MENU UP/DOWN keys to select A2T.
5. Use the MENU LEFT/RIGHT keys to adjust the value of A2T to 250.
6. Press the MENU button to return to the top level SDAM menu.
7. To ensure the A2T setting is saved: Turn the television set OFF by using the POWER button on the remote control transmitter or the local keyboard. Disconnect the television set from AC power for at least ten seconds. Reconnect the television set to AC power. Turn the television set ON by using the POWER button on the remote control transmitter or the local keyboard.

Circuit Description

Index of this chapter:

1. Introduction
2. Audio signal processing
3. Video signal processing
4. Synchronization
5. Deflection
6. Power supply
7. Control
8. Abbreviations

Note: For complete block diagrams a reference is made to Block diagram.

Introduction

The S8/T8 chassis is a global TV chassis for the model year 2001 and is used for TV sets with screen sizes from 25" - 36" (large screen), in Super Flat, Real Flat and Wide Screen executions.

The standard architecture consists of a Main panel, a Picture Tube panel, a Side I/O panel and a Top Control panel. In some executions, a Picture In Picture (PIP) panel is used.

The Main panel consists primarily of conventional components with hardly any surface mounted devices.

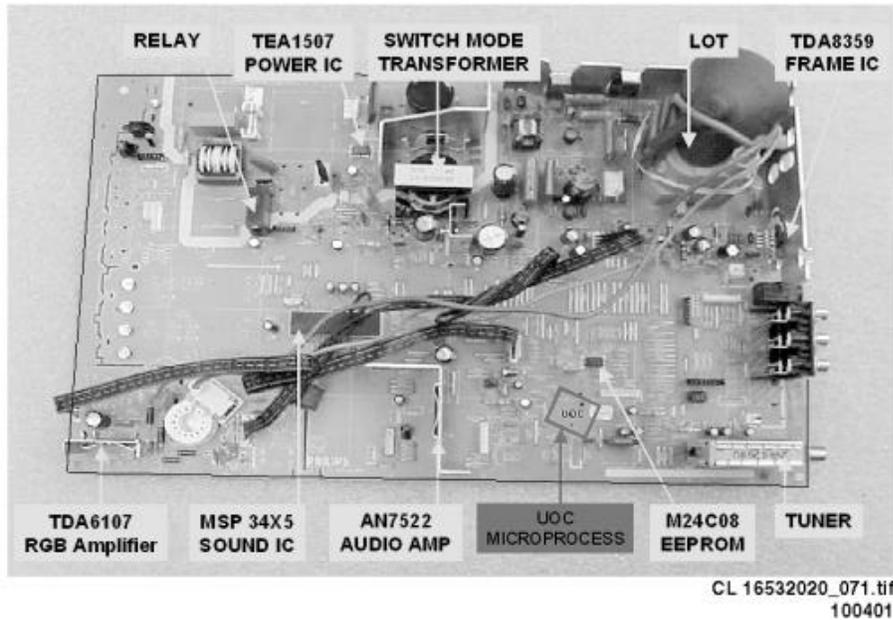


Figure:

The functions for video processing, microprocessor (μ P) and teletext (TXT) decoder are combined in one IC (TDA958xH), the so-called Ultimate One Chip (UOC). This chip is (surface) mounted on the copper side of the LSP.

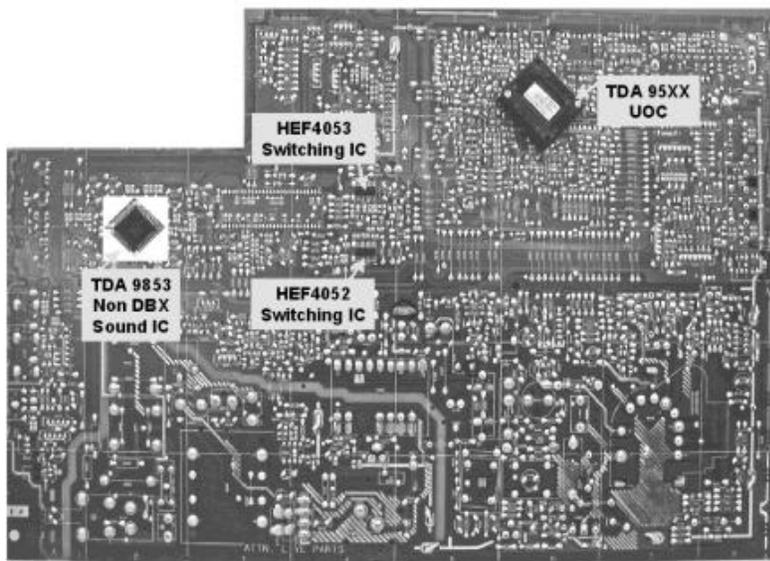


Figure:

The S8/T8 is divided into 2 basic systems, i.e., mono and stereo sound. While the audio processing for the mono sound is done in the audio block of the UOC, an external audio processing IC is used for stereo sets.

The tuning system features 181 channels with on-screen display. The main tuning system uses a tuner, a microcomputer, and a memory IC mounted on the main panel. The microcomputer communicates with the memory IC, the customer keyboard, remote receiver, tuner, signal processor IC and the audio output IC via the I²C bus. The memory IC retains the settings for favorite stations, customer-preferred settings, and service / factory data.

The on-screen graphics and closed caption decoding are done within the microprocessor, and then sent to the signal processor IC to be added to the main signal.

The chassis utilizes a Switching Mode Power Supply (SMPS) for the main voltage source. The chassis has a 'hot' ground reference on the primary side and a cold ground reference on the secondary side of the power supply and the rest of the chassis.

Audio Signal Processing

Refer to [Block diagram Audio](#)

Stereo

In stereo sets, the signal goes via the SAW filter (position 1002), to the audio demodulator part of the UOCIC 7200. The audio output on pin 48 goes to the stereo decoder 7831 or 7861. The switch inside this IC selects either the internal decoder or an external source.

There are two stereo decoders used:

1. a BTSC DBX stereo/SAP decoder (MSP34X5 at position 7831) for the highest specified sets and
2. a BTSC non-DBX stereo decoder (TDA 9853 at position 7861) for BTSC Economic.

The output is fed to the audio amplifier (AN7522 at position 7901). The volume level is controlled at this IC (pin 9) by a control line (Volume Mute) from the microprocessor. The audio signal from 7901 is then sent to the speaker / headphone output panel.

Mono

In mono sets, the signal goes via the SAW filter (position 1002), to the audio demodulator part of the UOC IC 7200. The audio output on pin 48 goes, via the smart sound circuit (7941 for Bass and 7942 for Treble) and buffer 7943, to the audio amplifier (AN7523 at position 7902).

The volume level is controlled at this IC (pin 9) by a 'Volume Mute' control line from the microprocessor.

The audio signal from IC 7902 is then sent to the speaker / headphone output panel.

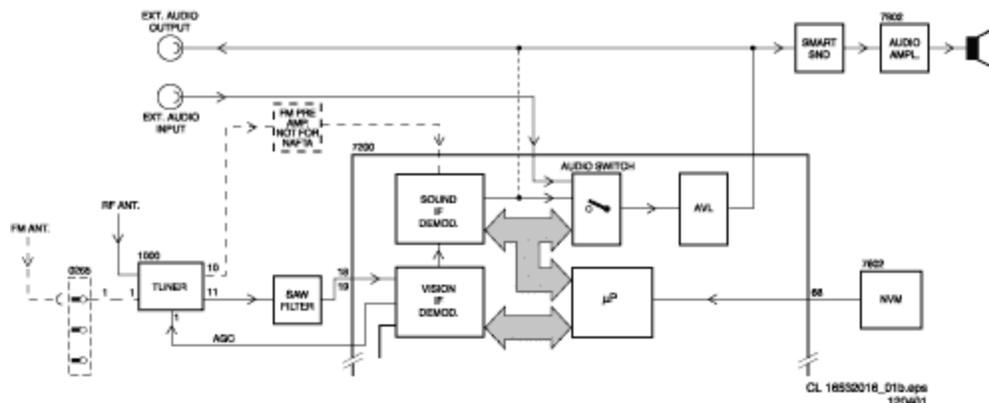


Figure:

Video Signal Processing

Introduction

The video signal-processing path consists of the following parts:

- RF signal processing.
- Video source selection.
- Video demodulation.
- Luminance / Chrominance signal processing.
- RGB control.
- RGB amplifier

The processing circuits listed above are all integrated in the UOC TV processor. The surrounding components are for the adaptation of the selected application. The I²C bus is for defining and controlling the signals.

RF signal processing

The incoming RF signal goes to the tuner (pos.1000), where the 45.75 MHz IF signal is developed and amplified. The IF signals then exits the tuner from pin 11 to pass through the SAW filters (pos. 1002). The shaped signal is then applied to the IF processor part of the UOC (pos. 7200).

Tuner AGC (Automatic Gain Control) will reduce the tuner gain and thus the tuner output voltage when receiving strong RF signals. Adjust the AGC takeover point via the Service Alignment Mode (SAM). The tuner AGC starts working when the video-IF input reaches a certain input level. Adjust this level via the I²C bus. The tuner AGC signal goes to the tuner (pin 1) via the open collector output (pin22) of the UOC.

The IC also generates an Automatic Frequency Control (AFC) signal that goes to the tuning system via the I²C bus, to provide frequency correction when needed.

The demodulated composite video signal is available at pin 38 and then buffered by transistor 7201.

Video source selection

The Composite Video Blanking Signal (CVBS) from buffer 7201 goes to the audio carrier trap filters (1200, 1201, or 1202 depending on the system used) to remove the audio signal. The signal then goes to pin 40 of IC 7200. The internal input switch selects the following input signals:

- Pin 40: terrestrial CVBS input
- Pin 42: external AV1 CVBS input
- Pin 44: external Side I/O CVBS or AV2 Luminance (Y) input
- Pin 45: external AV2 Chrominance (C) input

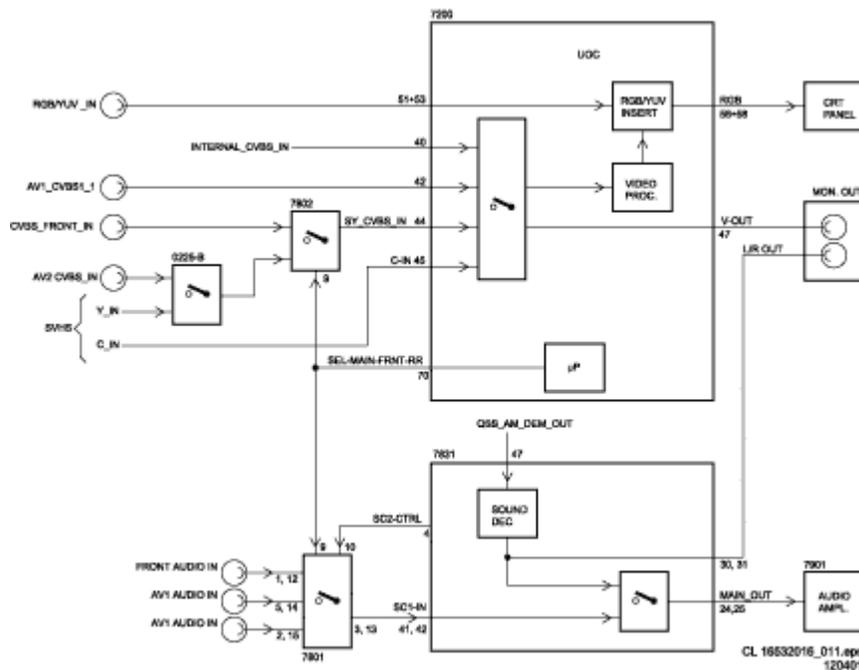


Figure:

Once the signal source is selected, a chroma filter calibration is performed. The received color burst sub-carrier frequency is used for this. Correspondingly, the chroma band pass filter for PAL/NTSC processing or the cloche filter for SECAM processing is switched on. The selected luminance (Y) signal is supplied to the horizontal and vertical synchronization processing circuit and to the luminance processing circuit. In the luminance-processing block, the luminance signal goes to the chroma trap filter. This trap is switched "on" or "off" depending on the color burst detection of the chroma calibration circuit.

The group delay correction part can be switched between the BG and a flat group delay characteristic. This has the advantage that in multi-standard receivers no compromise has to be made for the choice of the SAW filter.

Video demodulation

The color decoder circuit detects whether the signal is a PAL, NTSC or SECAM signal. The result is made known to the auto system manager. The PAL/NTSC decoder has an internal clock generator, which is stabilized to the required frequency by using the 12 MHz clock signal from the reference oscillator of the microcontroller / teletext decoder. The base-band delay line is used to obtain a good suppression of cross color effects. The Y signal and the delay line outputs U and V are applied to the luminance / chroma signal processing part of the TV processor.

Luminance / Chrominance signal processing

The output of the YUV separator is fed to the internal YUV switch, which switches between the output of the YUV separator or the external YUV (for DVD or PIP) on pins 51-53. Pin 50 is the input for the insertion control signal called 'FBL-1'. When this signal level becomes higher than 0.9 V (but less than 3 V), the RGB signals at pins 51, 52 and 53 are inserted into the picture by using the internal switches.

Also some picture improvement features are implemented in this part:

- **Black stretch** This function corrects the black level of incoming signals, which have a difference between the black level and the blanking level. The amount of extension depends upon the difference between actual black level and the darkest part of the incoming video signal level. It is detected by means of an internal capacitor.
- **White stretch** This function adapts the transfer characteristic of the luminance amplifier in a non-linear way depending on the average picture content of the luminance signal. It operates in such a way that maximum stretching is obtained when signals with a low video level are received. For bright pictures, stretching is not active.
- **Dynamic skin tone correction** This circuit corrects (instantaneously and locally) the hue of those colors which are located in the area in the UV plane that matches the skin tone. The correction is dependent on the luminance, saturation and distance to the preferred axis.

The YUV signal is then fed to the color matrix circuit, which converts it to R, G and B signals.

The OSD/TXT signal from the microprocessor is mixed with the main signal at this point, before being output to the CRT board (pins 56, 57 and 58).

Picture in picture (if present)

The PIP controller M65669FP is an NTSC video processor for TV applications. It contains all of the analog signal processing, control logic and memory, necessary to provide sub-picture insertion from a second, non-synchronized, video source into the main picture of the TV. This can be an external source (via the rear I/O inputs) or the video signal of the tuner.

Sync signals are derived from the sandcastle signal and separated by circuit 7171-7174 on the PIP-interface, and then fed to pins 32 and 33 of the PIP processor 7803.

RGB control

The RGB control circuit enables the picture parameters contrast, brightness and saturation to be adjusted, by using a combination of the user menus and the remote control. Additionally automatic gain control for the RGB signals via cut-off stabilization is achieved in this functional block to obtain an accurate biasing of the picture tube. Therefore this block inserts the cut-off point measuring pulses into the RGB signals during the vertical retrace period.

The following additional controls are used:

- **Black current calibration loop** Because of the 2-point black current stabilization circuit, both the black level and the amplitude of the RGB output signals depend on the drive characteristics of the picture tube. The system checks whether the returning measuring currents meet the requirements, and adapt the output level and gain of the circuit when necessary. After stabilization of the loop, the RGB drive signals are switched on. The 2-pointblack level system adapts the drive voltage for each cathode in such a way that the two measuring currents have the right value. This is done with the measurement pulses during the frame flyback. During the first frame, three pulses with a current of 8 μA are generated to adjust the cut off voltage. During the second frame, three pulses with a current of 20 μA are generated to adjust the 'white drive'. This has as a consequence, that a change in the gain of the output stage will be compensated by a gain change of the RGB control circuit. Pin 55 (BLKIN) of the UOC is used as the feedback input from the CRT base panel.
- **Blue stretch** This function increases the color temperature of the bright scenes (amplitudes which exceed a value of 80% of the nominal amplitude). This effect is obtained by decreasing the small signal gain of the red and green channel signals, which exceed this 80% level.
- **Beam current limiting** A beam current limiting circuit inside the UOC handles the contrast and brightness control for the RGB signals. This prevents the CRT from

being overdriven, which could otherwise cause serious damage in the line output stage. The reference used for this purpose is the DC voltage on pin 54 (BLCIN) of the TV processor. Contrast and brightness reduction of the RGB output signals is therefore proportional to the voltage present on this pin. Contrast reduction starts when the voltage on pin 54 is lower than 2.8 V. Brightness reduction starts when the voltage on pin 54 is less than 1.7 V. The voltage on pin 54 is normally 3.3 V (limiter not active). During set switch-off, the black current control circuit generates a fixed beam current of 1 mA. This current ensures that the picture tube capacitance is discharged. During the switch-off period, the vertical deflection is placed in an over-scan position, so that the discharge is not visible on the screen.

RGB amplifier

From outputs 56, 57 and 58 of IC 7200 the RGB signals are applied to the integrated output amplifier (7330) on the CRT panel. Via the outputs 7, 8 and 9 the picture tube cathodes are driven.

The supply voltage for the amplifier is +200V and is derived from the line output stage.

Synchronization

Inside IC 7200 part D the vertical and horizontal sync pulses are separated. These 'H' and 'V' signals are synchronized with the incoming CVBS signal. They are then fed to the H- and V-drive circuits and to the OSD/TXT circuit for synchronization of the On Screen Display and Teletext (CC) information.

Deflection

Horizontal drive

The horizontal drive signal is obtained from an internal VCO, which is running at twice the line frequency. This frequency is divided by two, to lock the first control loop to the incoming signal.

When the IC is switched 'on', the 'Hdrive' signal is suppressed until the frequency is correct.

The 'Hdrive' signal is available at pin 30. The 'Hflybk' signal is fed to pin 31 to phase lock the horizontal oscillator, so that Q7462 cannot switch 'on' during the flyback time. The 'EW drive' signal for the E/W circuit (if present) is available on pin 15, where it drives transistor 7400 to make linearity corrections in the horizontal drive.

When the set is switched on, the '+8V' voltage goes to pin 9 of IC 7200. The horizontal drive starts up in a soft start mode. It starts with a very short T_{ON} time of the horizontal output transistor. The T_{OFF} of the transistor is identical to the time in normal operation. The starting frequency during switch on is therefore about 2 times higher than the normal value. The 'on' time is slowly increased to the nominal value in 1175 ms. When the nominal value is reached, the PLL is closed in such a way that only very small phase corrections are necessary.

The 'EHT information' line on pin 11 is intended to be used as an 'X-ray' protection. When this protection is activated (when the voltage exceeds 6 V), the horizontal drive (pin 30) is switched "off" immediately. If the 'H-drive' is stopped, pin 11 will become low again. Now the horizontal drive is again switched on via the slow start procedure. The 'EHT information' line (Aquadag) is also fed back to the UOC IC 7200 pin 54, to adjust the picture level in order to compensate for changes in the beam current.

The 'filament' voltage is monitored for 'no voltage' or 'excessive voltage'. This voltage is rectified by diode 6447 and fed to the emitter of transistor 7443. If this voltage goes above 6.8 V, transistor 7443 will conduct, making the 'EHT0' line 'high'. This will immediately switch off the horizontal drive (pin 30) via the slow stop procedure.

The horizontal drive signal exits IC 7200 at pin 30 and goes to 7462, the horizontal driver transistor. The signal is amplified and coupled to the base circuit of 7460, the horizontal output transistor. This will drive the line output transformer (LOT) and associated circuit. The LOT provides the extra high voltage (EHT), the VG2 voltage and the focus and filament voltages for the CRT, while the line output circuit drives the horizontal deflection coil.

Vertical drive

A divider circuit performs the vertical synchronization. The vertical ramp generator needs an external resistor (R3245, pin 20) and capacitor (C2244, pin 21). A differential output is available at pins 16 and 17, which are DC-coupled with the vertical output stage.

During the insertion of RGB signals, the maximum vertical frequency is increased to 72 Hz so that the circuit can also synchronize on signals with a higher vertical frequency like VGA.

To avoid damage of the picture tube when the vertical deflection fails, the guard output is fed to the beam current limiting input. When a failure is detected the RGB-outputs are blanked. When no vertical deflection output stage is connected this guard circuit will also blank the output signals.

These 'V_DRIVE+' and 'V_DRIVE-' signals are applied to the input pins 1 and 2 of IC 7471 (full bridge vertical deflection amplifier). These are voltage driven differential inputs. As the driver device (IC 7200) delivers output currents, R3474 and R3475 convert them to voltage. The differential input voltage is compared with the

voltage across measuring resistor R3471 that provides internal feedback information. The voltage across this measuring resistor is proportional to the output current, which is available at pins 4 and 7 where they drive the vertical deflection coil (connector 0222) in phase opposition.

IC 7471 is supplied by +13 V. The vertical flyback voltage is determined by an external supply voltage at pin 6 (VlotAux+50V). This voltage is almost totally available as flyback voltage across the coil, this being possible due to the absence of a coupling capacitor (which is not necessary, due to the 'bridge' configuration).

Deflection corrections

The linearity correction

A constant voltage on the horizontal deflection coil should result in a sawtooth current. This however is not the case as the resistance of the coil is not negligible. In order to compensate for this resistance, a pre-magnetized coil L5457 is used. R3485 and C2459 ensure that L5457 does not excite, because of its own parasite capacitance. This L5457 is called the "linearity coil".

The Mannheim effect

When clear white lines are displayed, the high-voltage circuit is heavily loaded. During the first half of the flyback, the high voltage capacitors are considerably charged. At that point in time, the deflection coil excites through C2465. This current peak, through the high-voltage capacitor, distorts the flyback pulse. This causes synchronization errors, causing an oscillation under the white line.

During $t_3 - t_5$, C2490//2458 is charged via R3459. At the moment of the flyback, C2490//2458 is subjected to the negative voltage pulses of the parabola as a result of which D6465 and D6466 are conducting and C2490//2458 is switched in parallel with C2456//2457. This is the moment the high-voltage diodes are conducting. Now extra

energy is available for excitation through C2465 and the line deflection. As a consequence the flyback pulse is less distorted.

The S-Correction

Since the sides of the picture are further away from the point of deflection than from the centre, a linear sawtooth current would result in a non-linear image being scanned (the center would be scanned slower than the sides). For the center-horizontal line, the difference in relation of the distances is larger than those for the top and bottom lines. An S-shaped current will have to be superimposed onto the sawtooth current. This correction is called finger-length correction or S-correction.

C2456//2457 is relatively small, as a result of which the sawtooth current will generate a parabolic voltage with negative voltage peaks. Left and right, the voltage across the deflection coil decreases, and the deflection will slowdown; in the center, the voltage increases and deflection is faster. The larger the picture width, the higher the deflection current through C2456//2457. The current also results in a parabolic voltage across C2484//2469, resulting in the finger length correction proportionally increasing with the picture width. The east/west drive signal will ensure the largest picture width in the center of the frame. Here the largest correction is applied.

East/West correction

In the T8, there are three types of CRTs, namely the 100°, 110° and wide screen CRTs. The 100° CRT is raster-correction-free and does not need East/West correction. The 110° 4:3 CRT comes with East/West correction and East/West protection. The wide screen TV sets have all the correction of the 110 4:3 CRT and also have additional picture format like the 4:3 format, 16:9, 14:9, 16:9 zoom, subtitle zoom and the Super-Wide picture format

A line, written at the upper- or lower side of the screen, will be larger at the screen center when a fixed deflection current is used. Therefore the amplitude of the deflection current must be increased when the spot approaches the center of the screen. This is called the East/West or pincushion correction.

The 'Ew drive' signal from pin 15 of IC 7200 takes care for the correct correction. It drives FET 7400. It also corrects breathing of the picture, due to beam current variations (the EHT varies dependent of the beam current). This correction is derived from the 'EHT information' line.

Two protections are built-in for the E/W circuit: over-current and over-voltage protection. See paragraph 9.3.5.

Panorama

The panorama function is only used in 16:9 sets. This is a function to enable the 4:3 and Super-Wide feature. It drives the 'Bass_panorama' line, to activate relay 1400. When this relay is switched on, the capacitors 2453//2454 are added in parallel to the default S-correction capacitors 2456//2457. This results in an increased capacitance, a lower resonance frequency of the line deflection coil and the S-correction capacitors and therefore a less steep S-corrected line deflection current.

Power Supply

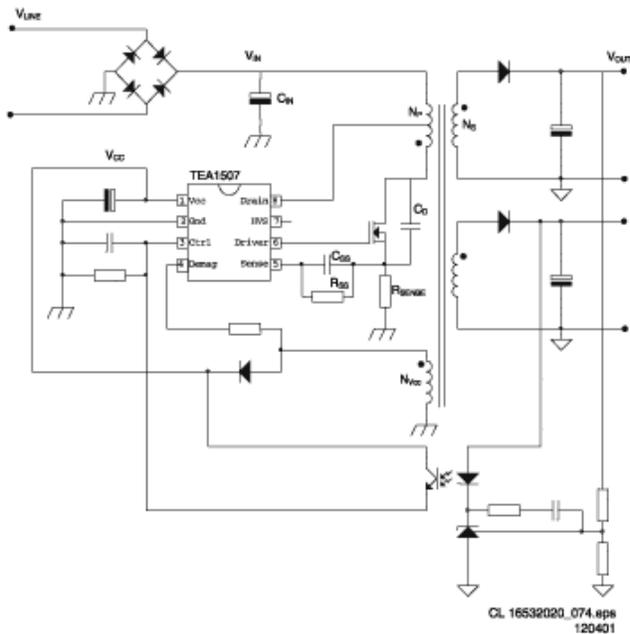


Figure:

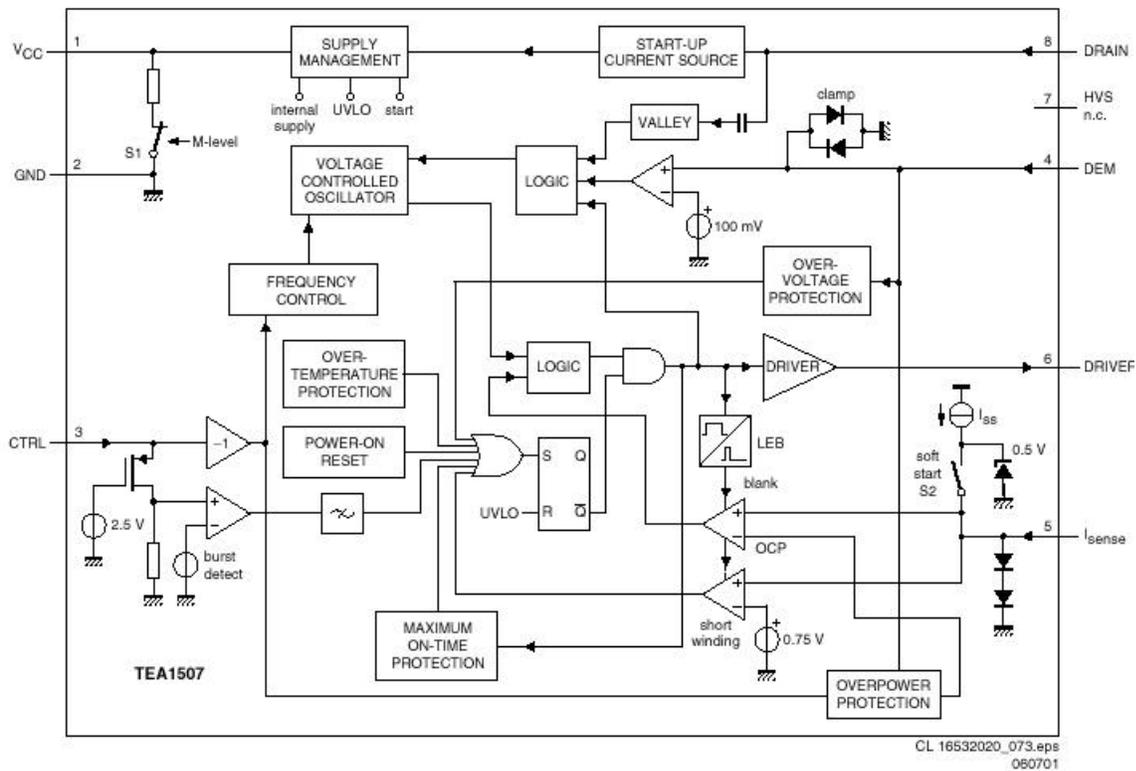


Figure:

Introduction

The supply is a Switching Mode Power Supply (SMPS). The frequency of operation varies with the circuit load. This 'Quasi-Resonant Flyback' behavior has some important benefits compared to a 'hard switching' fixed frequency Flyback converter. The efficiency can be improved up to 90%, which results in lower power consumption. Moreover the supply runs cooler and safety is enhanced.

The power supply starts operating when a DC voltage goes from the rectifier bridge via T5520, R3532 to pin 8. The operating voltage for the driver circuit is also taken from the 'hot' side of this transformer.

The switching regulator IC 7520 starts switching the FET 'on' and 'off', to control the current flow through the primary winding of transformer 5520. The energy stored in the primary winding during the 'on' time is delivered to the secondary windings during the 'off' time.

The 'Main Supply' line is the reference voltage for the power supply. It is sampled by resistors 3543 and 3544 and fed to the input of the regulator 7540 / 6540. This regulator drives the feedback optocoupler 7515 to set the feedback control voltage on pin 3 of 7520.

The power supply in the set is 'on' anytime AC power goes to the set.

Derived Voltages

The voltages supplied by the secondary windings of T5520 are:

- 'MainAux' for the audio circuit (voltage depends on set execution, see table below),
- 3.3 V and 3.9 V for the microprocessor and
- 'Main Supply' for the horizontal output (voltage depends on set execution, see table below).

Other supply voltages are provided by the LOT. It supplies +50 V (only for large screen sets), +13 V, +8 V, +5V and a +200 V source for the video drive. The secondary voltages of the LOT are monitored by the 'EHT information' lines. These lines are fed to the video processor part of the UOC IC 7200on pins 11 and 34.

This circuit will shut 'off' the horizontal drive in case of over-voltage or excessive beam current.

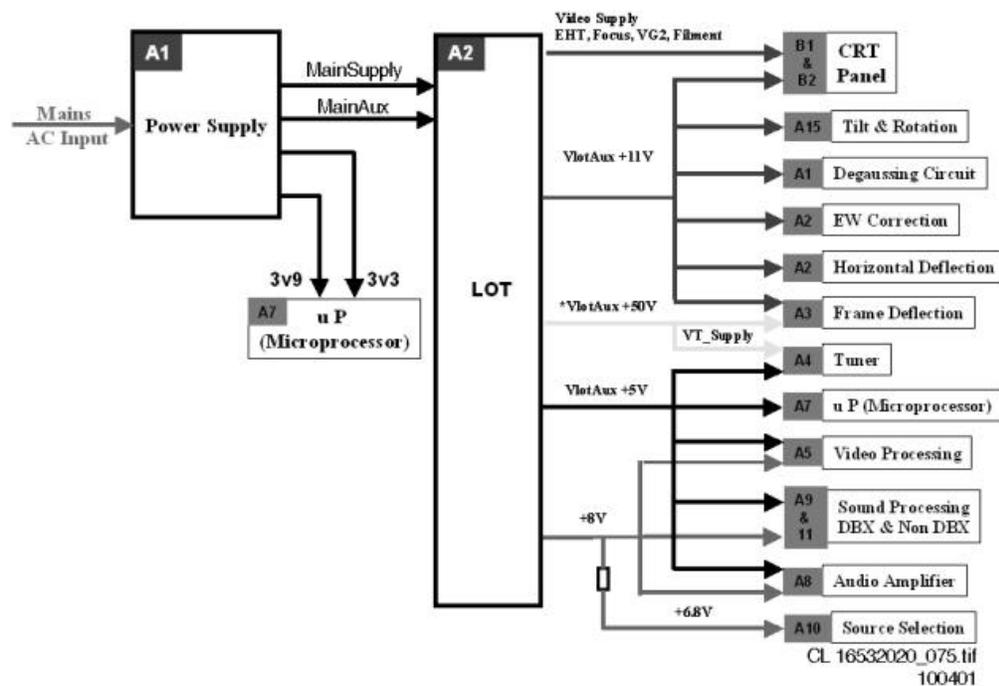


Figure:

Power supply voltages				
Screen Size	Voltage name	Measuring point	Value	Remark
14", 16RF, 17", 20", 21"	MainSupply	P6 (C2561)	95 V	
	MainAux	P5 (C2564)	11 V	Stereo 2x3 W and Mono 1x2 W, 3 W, 4 W
All others	MainSupply	P6 (C2561)	10 V	Stereo 2x1 W and Mono 1x1 W
			130 V	21/25/29RF and 25/27/32/35V
	MainAux	P5 (C2564)	143 V	25/28/29SF, 25/28BLD, 25/28BLS, 28/32WS, 24/28BLDWS & BLSWS
			12 V	Stereo 2x1 W, 3 W, 5 W
			10 V	Mono 1x1 W

CL 16532020_076.eps
110401

Figure:

Degaussing

When the set is switched on, the degaussing relay 1515 is immediately activated as transistor 7580 is conducting. Due to the RC-time of R3580 and C2580, it will last about 3 to 4 seconds before transistor 7580 is switched off.

Basic IC Functionality

For a clear understanding of the Quasi-Resonant behavior, it is possible to explain it by a simplified circuit diagram (see Figure below). In this circuit diagram, the secondary side is transferred to the primary side and the transformer is replaced by an inductance L_P . C_D is the total drain capacitance including the resonance capacitor C_R , parasitic output capacitor C_{OSS} of the MOSFET and the winding capacitance C_W of the transformer. The turns ratio of the transformer is represented by n (N_P / N_S).

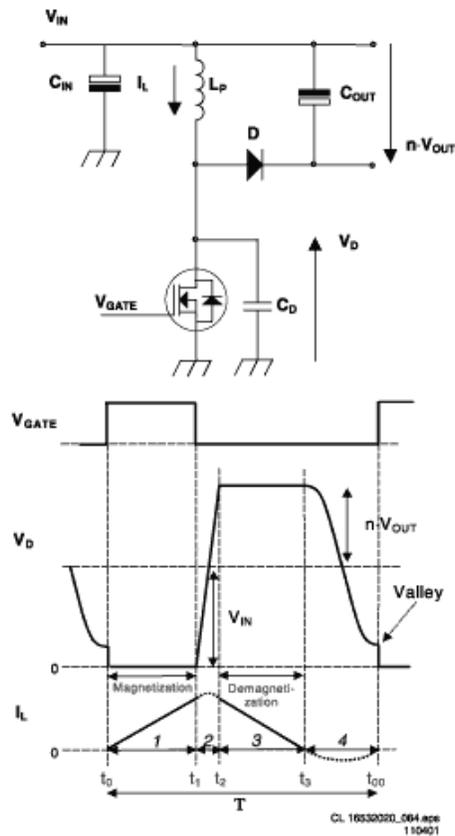


Figure:

In the Quasi-Resonant mode each period can be divided into four different time intervals, in chronological order:

- **Interval 1: $t_0 < t < t_1$ primary stroke** at the beginning of the first interval, the MOSFET is switched 'on' and energy is stored in the primary inductance (magnetization). At the end, the MOSFET is switched 'off' and the second interval starts.
- **Interval 2: $t_1 < t < t_2$ commutation time** In the second interval, the drain voltage will rise from almost zero to $V_{IN} + n \cdot (V_{OUT} + V_F)$. V_F is the forward voltage drop of the diode that will be omitted from the equations from now on. The current will change its positive derivative, corresponding to V_{IN} / L_P , to a negative derivative, corresponding to $-n \cdot V_{OUT} / L_P$.
- **Interval 3: $t_2 < t < t_3$ secondary stroke** In the third interval, the stored energy is transferred to the output, so the diode starts to conduct and the inductive current I_L will decrease. In other words, the transformer will be demagnetized. When the inductive current has become zero the next interval begins.
- **Interval 4: $t_3 < t < t_0$ resonance time** In the fourth interval, the energy stored in the drain capacitor C_D will start to resonate with the inductance L_P . The voltage and current waveforms are sinusoidal waveforms. The drain voltage will drop from $V_{IN} + n \cdot V_{OUT}$ to $V_{IN} - n \cdot V_{OUT}$.

Frequency Behavior

The frequency in the QR-mode is determined by the power stage and is not influenced by the controller (important parameters are L_P and C_D). The frequency varies with the input voltage V_{IN} and the output power P_{OUT} . If the required output power increases, more energy has to be stored in the transformer. This leads to longer magnetizing t_{PRIM} and demagnetizing t_{SEC} times, which will decrease the frequency. See the frequency versus output power characteristics below. The frequency characteristic is not only

output power-, but also input voltage dependent. The higher the input voltage, the smaller t_{PRIM} , so the higher the frequency will be.

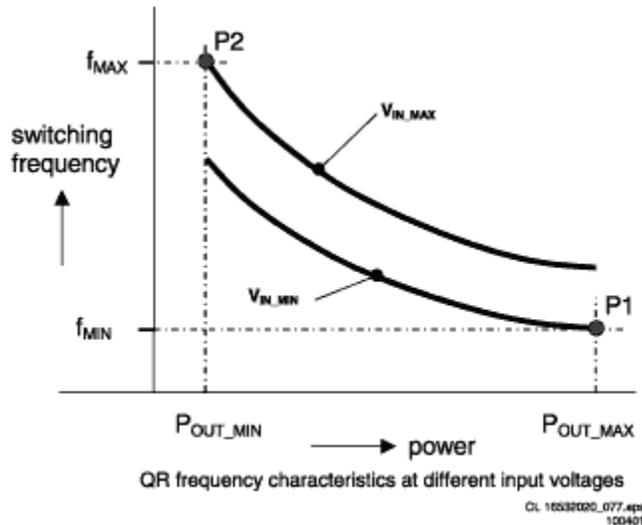


Figure:

Point P1 is the minimum frequency f_{MIN} that occurs at the specified minimum input voltage and maximum output power required by the application. Of course the minimum frequency has to be chosen above the audible limit (>20 kHz).

Start-Up Sequence

When the rectified AC voltage V_{IN} (via the center tap connected to pin 8) reaches the Mains dependent operation level (Mlevel: between 60 and 100 V), the internal 'Mlevel switch' will be opened and the start-up current source is enabled to charge capacitor C2521 at the V_{CC} pin as shown below.

The 'soft start' switch is closed when the V_{CC} reaches a level of 7 V and the 'soft start' capacitor C_{SS} (C2522, between pin 5 and the sense resistor R3526), is charged to 0.5 V.

Once the V_{CC} capacitor is charged to the start-up voltage $V_{CC-start}$ (11V), the IC starts driving the MOSFET. Both internal current sources are switched 'off' after reaching this start-up voltage. Resistor R_{SS} (3524) will discharge the 'soft start' capacitor, such that the peak current will slowly increase. This to prevent 'transformer rattle'. During start-up, the V_{CC} capacitor will be discharged until the moment that the primary auxiliary winding takes over this voltage.

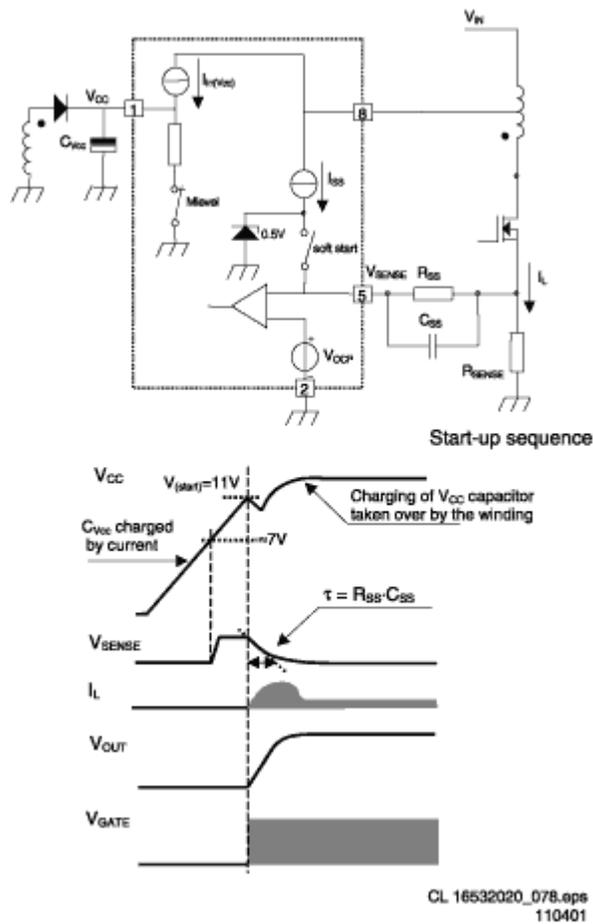


Figure:

The moment that the voltage on pin 1 drops below the 'under voltage lock out' level ($UVLO = \pm 9 V$), the IC will stop switching and will enter a safe restart from the rectified mains voltage.

Operation

The supply can run in three different modes depending on the output power:

- **Quasi-Resonant mode (QR)** The QR mode, described above, is used during normal operation. This will give a high efficiency.
- **Frequency Reduction mode (FR)** The FR mode (also called VCO mode) is implemented to decrease the switching losses at low output loads. In this way the efficiency at low output powers is increased, which enables power consumption smaller than 3 W during stand-by. The voltage at the pin 3 (Ctrl) determines where the frequency reduction starts. An external Ctrl voltage of 1.425 V corresponds with an internal VCO level of 75 mV. This fixed VCO level is called $V_{VCO, start}$. The frequency will be reduced in relation to the VCO voltage between 75 mV and 50mV (at levels larger than 75 mV, Ctrl voltage < 1.425V, the oscillator will run on maximum frequency $f_{oscH} = 175$ kHz typically). At 50 mV ($V_{VCO, max}$) the frequency is reduced to the minimum level of 6 kHz. Valley switching is still active in this mode.
- **Minimum Frequency mode (MinF)** At VCO levels below 50 mV, the minimum frequency will remain on 6 kHz, which is called the MinF mode. Because of this low frequency, it is possible to run at very low loads without having any output regulation problems.

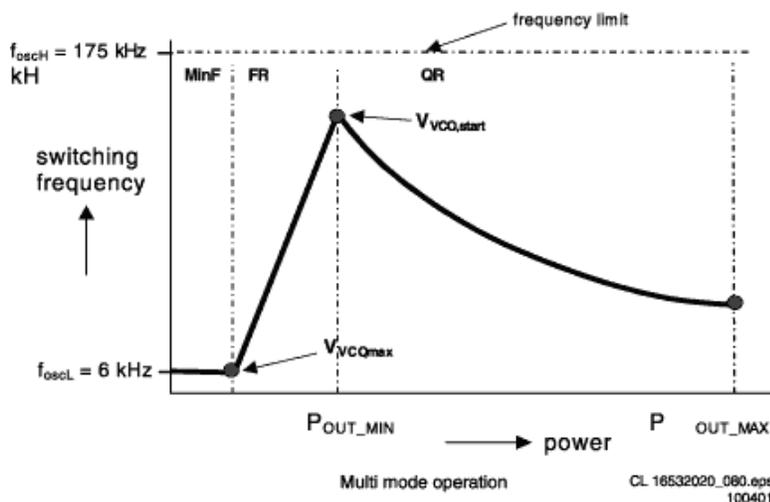


Figure:

Safe-Restart Mode

This mode is introduced to prevent the components from being destroyed during eventual system fault conditions. It is also used for the Burst mode. The Safe-Restart mode will be entered if it is triggered by one of the following functions:

- Over voltage protection,
- Short winding protection,
- Maximum 'on time' protection,
- V_{CC} reaching UVLO level (fold back during overload),
- Detecting a pulse for Burst mode,
- Over temperature protection.

When entering the Safe-Restart mode, the output driver is immediately disabled and latched. The V_{CC} winding will not charge the V_{CC} capacitor anymore and the V_{CC} voltage will drop until UVLO is reached. To recharge the V_{CC} capacitor, the internal current source ($I_{(restart)(VCC)}$) will be switched 'on' to initiate a new start-up sequence as described before. This Safe-Restart mode will persist until the controller detects no faults or burst triggers.

Standby

The set goes to Standby in the following cases:

- After pressing the 'standby' key on the remote control.
- When the set is in protection mode.

In Standby, the power supply works in 'burst mode'.

Burst mode can be used to reduce the power consumption below 1 W at stand-by.

During this mode, the controller is active (generating gate pulses) for only a short time and for a longer time inactive waiting for the next burst cycle.

In the active period the energy is transferred to the secondary and stored in the buffer capacitor C_{STAB} in front of the linear stabilizer (see Figure below). During the inactive period, the load (e.g. microprocessor) discharges this capacitor. In this mode, the controller makes use of the Safe-Restart mode.

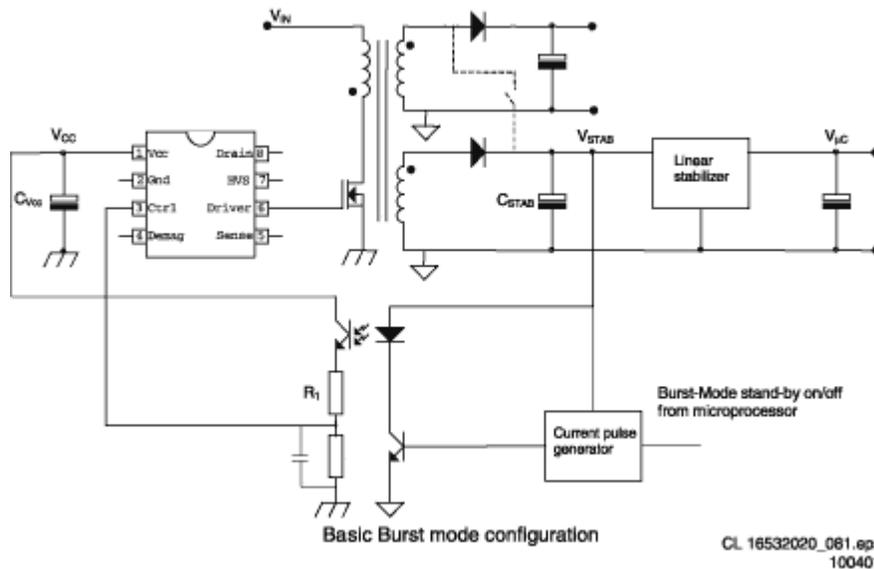


Figure:

The system enters burst mode standby when the microprocessor activates the 'Stdbby_con' line. When this line is pulled high, the base of Q7541 is allowed to go high. This is triggered by the current from collector Q7542. When Q7541 turns 'on', the optocoupler (7515) is activated, sending a large current signal to pin 3 (Ctrl). In response to this signal, the IC stops switching and enters a 'hiccup' mode. This burst activation signal should be present for longer than the 'burst blank' period (typically 30 μ s): the blanking time prevents false burst triggering due to spikes.

Burst mode standby operation continues until the microcontroller pulls the 'Stdbby_con' signal low again. The base of Q7541 is unable to go high, thus cannot turn 'on'. This will disable the burst mode. The system then enters the start-up sequence and begins normal switching behavior.

For a more detailed description of one burst cycle, three time intervals are defined:

- **t1: Discharge of V_{CC} when gate drive is active** During the first interval, energy is transferred, which result in a ramp-up of the output voltage (V_{STAB}) in front of the stabilizer. When enough energy is stored in the capacitor, the IC will be switched 'off' by a current pulse generated at the secondary side. This pulse is transferred to the primary side via the opto coupler. The controller will disable the output driver (safe restart mode) when the current pulse reaches a threshold level of 16 mA into the Ctrl pin. A resistor R_1 (R3519) is placed in series with the opto coupler, to limit the current going into the Ctrl pin. Meanwhile the V_{CC} capacitor is discharged but has to stay above V_{UVLO} .
- **t2: Discharge of V_{CC} when gate drive is inactive** During the second interval, the V_{CC} is discharged to V_{UVLO} . The output voltage will decrease depending on the load.
- **t3: Charge of V_{CC} when gate drive is inactive** The third interval starts when the UVLO is reached. The internal current source charges the V_{CC} capacitor (also the soft start capacitor is recharged). Once the V_{CC} capacitor is charged to the start-up voltage, the driver is activated and a new burst cycle is started.

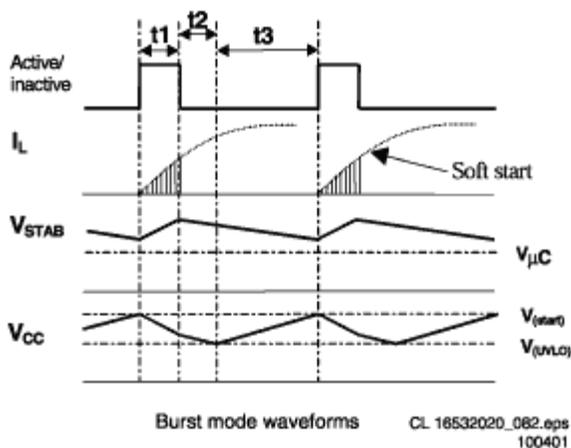


Figure:

Protection Events

The SMPS IC 7520 has the following protection features:

Demagnetization sense

This feature guarantees discontinuous conduction mode operation in every situation. The oscillator will not start a new primary stroke until the secondary stroke has ended. This is to ensure that FET 7521 will not turn on until the demagnetization of transformer 5520 is complete. The function is an additional protection feature against:

- saturation of the transformer,
- damage of the components during initial start-up,
- an overload of the output.

The demag(netization) sense is realized by an internal circuit that guards the voltage (V_{demag}) at pin 4 that is connected to V_{CC} winding by resistor R_1 (R3522). The Figure below shows the circuit and the idealized waveforms across this winding.

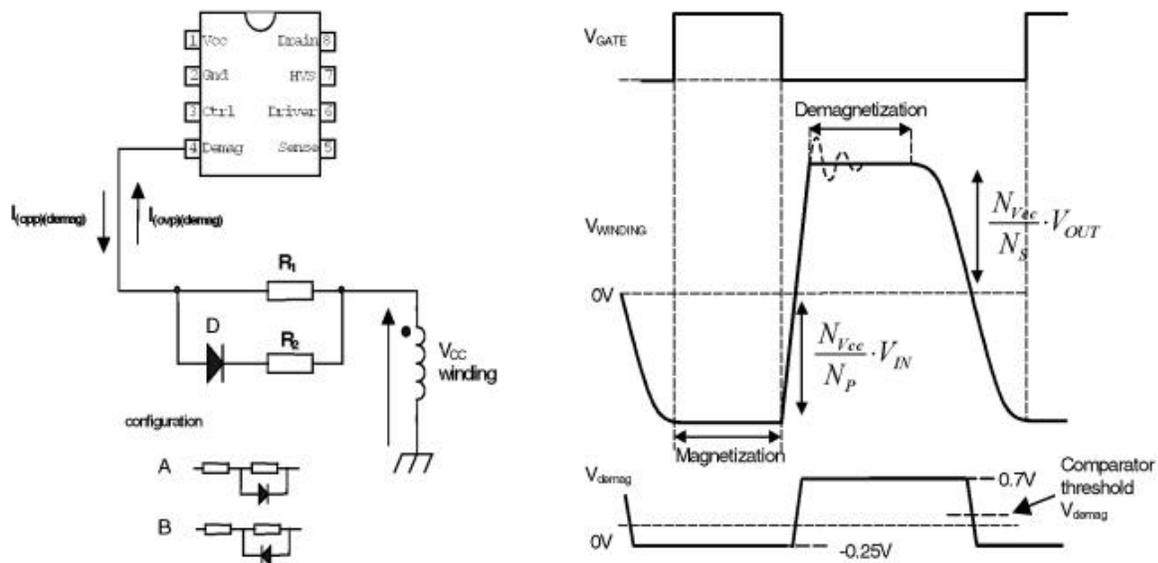


Figure:

Over Voltage Protection

The Over Voltage Protection ensures that the output voltage will remain below an adjustable level. This works by sensing the auxiliary voltage via the current flowing into pin4 (DEM) during the secondary stroke. This voltage is a well-defined replica of the output voltage. Any voltage spikes are averaged by an internal filter.

If the output voltage exceeds the OVP trip level, the OVP circuit switches the power MOSFET 'off'.

Next, the controller waits until the 'under voltage lock out' level ($UVLO = \pm 9\text{ V}$) is reached on pin 1 (V_{CC}). This is followed by a safe restart cycle, after which switching starts again. This process is repeated as long as the OVP condition exists. The output voltage at which the OVP function trips, is set by the demagnetization resistor R3522.

Over Current Protection

The internal OCP protection circuit limits the 'sense' voltage on pin 5 to an internal level.

Over Power Protection

During the primary stroke, the rectified AC input voltage is measured by sensing the current drawn from pin4 (DEM). This current is dependent on the voltage on pin 9 of transformer 5520 and the value of R3522. The current information is used to adjust the peak drain current, which is measured via pin I_{SENSE}.

Short Winding Protection

If the 'sense' voltage on pin 5 exceeds the short winding protection voltage (0.75 V), the converter will stop switching. Once V_{CC} drops below the UVLO level, capacitor C2521 will be recharged and the supply will start again. This cycle will be repeated until the

short circuit is removed (safe restart mode). The short winding protection will also protect in case of a secondary diode short circuit.

This protection circuit is activated after the leading edge blanking time (LEB).

LEB time

The LEB (Leading Edge Blanking) time is an internally fixed delay, preventing false triggering of the comparator due to current spikes. This delay determines the minimum 'on' time of the controller.

Over Temperature protection

When the junction temperature exceeds the thermal shutdown temperature (typ. 140° C), the IC will disable the driver. When the V_{CC} voltage drops to UVLO, the V_{CC} capacitor will be recharged to the $V_{(start)}$ level. If the temperature is still too high, the V_{CC} voltage will drop again to the UVLO level (Safe-Restart mode). This mode will persist until the junction temperature drops 8 degrees typically below the shutdown temperature.

Mains dependent operation enabling level

To prevent the supply from starting at a low input voltage, which could cause audible noise, a mains detection is implemented (Mlevel). This detection is provided via pin 8, that detects the minimum start-up voltage between 60 and 100 V. As previously mentioned, the controller is enabled between 60 and 100 V.

An additional advantage of this function is the protection against a disconnected buffer capacitor (C_{IN}). In this case, the supply will not be able to start-up because the V_{CC} capacitor will not be charged to the start-up voltage.

Control

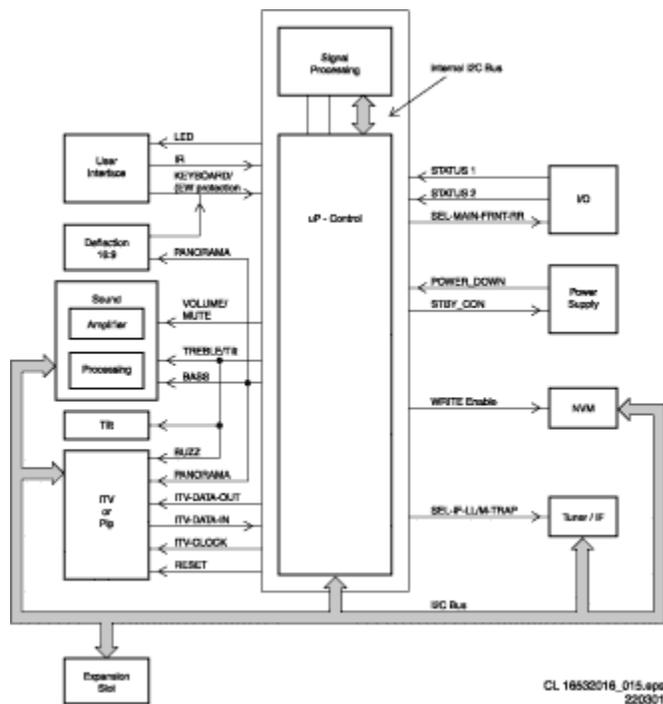


Figure:

Introduction

The microprocessor part of the UOC has the complete control and teletext on board. User menu, Service Default Mode, Service Alignment Mode and Customer Service Mode are generated by the μ P. Communication to other ICs is done via the I²C-bus.

I²C-Bus

The main control system, which consists of the microprocessor part of the UOC (7200), is linked to the external devices (tuner, NVM, MSP, etc) by means of the I²C-bus. An internal I²C-bus is used to control other signal processing functions, like video processing, sound IF, vision IF, synchronization, etc.

User Interface

The S8/T8 uses a remote control with RC5 protocol. The incoming signal is connected to pin 67 of the UOC.

The "Top Control" keyboard, connected to UOC pin 80, can also control the set. Button recognition is done via a voltage divider.

The front LED (6691) is connected to an output control line of the microprocessor (pin 5). It is activated to provide the user information about whether or not the set is working correctly (e.g., responding to the remote control, normal operation (USA only) or fault condition)

In- And Output Selection

For the control of the input and output selections, there are three lines:

- **STATUS1** This signal provides information to the microprocessor on whether a video signal is available on the SCART1 AV input and output port (only for Europe). This signal is not connected in NAFTA sets.
- **STATUS2** This signal provides information to the microprocessor on whether a video signal is available on the SCART2 AV input and output port (only for Europe). For sets with an SVHS input it provides the additional information if a Y/C or CVBS source is present. The presence of an external Y/C source makes this line 'high' while a CVBS source makes the line 'low'.
- **SEL-MAIN-FRNT-RR** This is the source select control signal from the microprocessor. This control line is under user control or can be activated by the other two control lines.

Power Supply Control

The microprocessor part is supplied with 3.3V and 3.9 V both derived from the 'MainAux' voltage via a 3V3 stabilizer (7560) and a diode.

Two signals are used to control the power supply:

- **Stdby_con** This signal is generated by the microprocessor when over-current takes place at the 'MainAux' line. This is done to enable the power supply into standby burst mode, and to enable this mode during a protection. This signal is 'low' under normal operation conditions and goes to 'high' (3.3V) under 'standby' and 'fault' conditions.
- **POWER_DOWN** This signal is generated by the power supply. Under normal operating conditions this signal is 'high' (3.3 V). During 'standby' mode, this signal is a pulse train of approx. 10 Hz and a 'high' duration of 5 ms. It is used to give information to the UOC about the fault condition in the Audio amplifier supply circuit. This information is generated by sensing the current on the 'MainAux' line (using voltage drop across R3564 to trigger Q7562). This signal goes 'low' when the DC-current on the 'MainAux' line exceeds 1.6- 2.0 A. It is also used to give an early warning to the UOC about a power failure. Then the information is used to mute the sound amplifier to prevent a switch off noise and to solve the switch-off spot.

Protection Events

Several protection events are controlled by UOC:

- **BC protection**, to protect the picture tube from a too high beam current. The UOC has the capability of measuring the normal back level current during the vertical flyback. So if for some reason the CRT circuit is malfunctioning (i.e. highbeam current), the normal black current will be out of the 75 μ A range, and the UOC

will trigger the power supply to shut down. However, this is a high beam-current situation, the TV screen will be bright white before the set is shut down.

- **E/W protection**, two protection mechanisms are built in, over-current and over-voltage.
 - In case of over-current due to defective parts in the line deflection output stage, a high current will flow through resistors 3405//3406. If this current is large enough to create a voltage drop of 0.7V across 3405//3406, transistor Q7606 (in A7 diagram) will conduct and pin 80 of the UOC will be pulled down. Thereafter, the UOC will shut down the power supply. In case of further current increase, the fused resistor 3411 is built-in for double protection.
 - In case of a high voltage appearing across capacitor 2401 (dependent of the tube size), which is high enough to trigger zener diode 6401 into conduction, transistor Q7606 (in A7 diagram) will conduct and UOC is triggered to shut down the power supply.
- **I²C protection**, to check whether all I²C ICs are functioning.

In case one of these protections is activated, the set will go into 'standby'.

The 'on' and 'standby' LEDs are controlled via the UOC.

Abbreviation list

Abbreviation	Description
2CS	2 Carrier (or Channel) Stereo
ACI	Automatic Channel Installation: algorithm that installs TV sets directly from cable network by means of a predefined TXT page
ADC	Analogue to Digital Converter
AFC	Automatic Frequency Control: control signal used to tune to the correct frequency
AFT	Automatic Fine Tuning
AGC	Automatic Gain Control: algorithm that controls the video input of the feature box
AM	Amplitude Modulation
AP	Asia Pacific
AR	Aspect Ratio: 4 by 3 or 16 by 9
ATS	Automatic Tuning System
AV	External Audio Video
AVL	Automatic Volume Level
BC-PROT	Beam Current Protection
BCL	Beam Current Limitation
B/G	Monochrome TV system. Sound carrier distance: 5.5MHz

BLC-INFORMATION	Black current information
BTSC	Broadcast Television Standard Committee. Multiplex FM stereo sound system, originating from the USA and used e.g. in LATAM and AP-NTSC countries
B-TXT	Blue teletext
CC	Closed Caption
ComPair	Computer aided repair
CRT	Cathode Ray Tube or picture tube
CSM	Customer Service Mode
CTI	Color Transient Improvement: manipulates steepness of chroma transients
CVBS	Composite Video Blanking and Synchronization
DAC	Digital to Analogue Converter
DBE	Dynamic Bass Enhancement: extra low frequency amplification
DBX	Dynamic Bass Expander
D/K	Monochrome TV system. Sound carrier distance is 6.5MHz
DFU	Direction For Use: description for the end user
DNR	Dynamic Noise Reduction
DSP	Digital Signal Processing

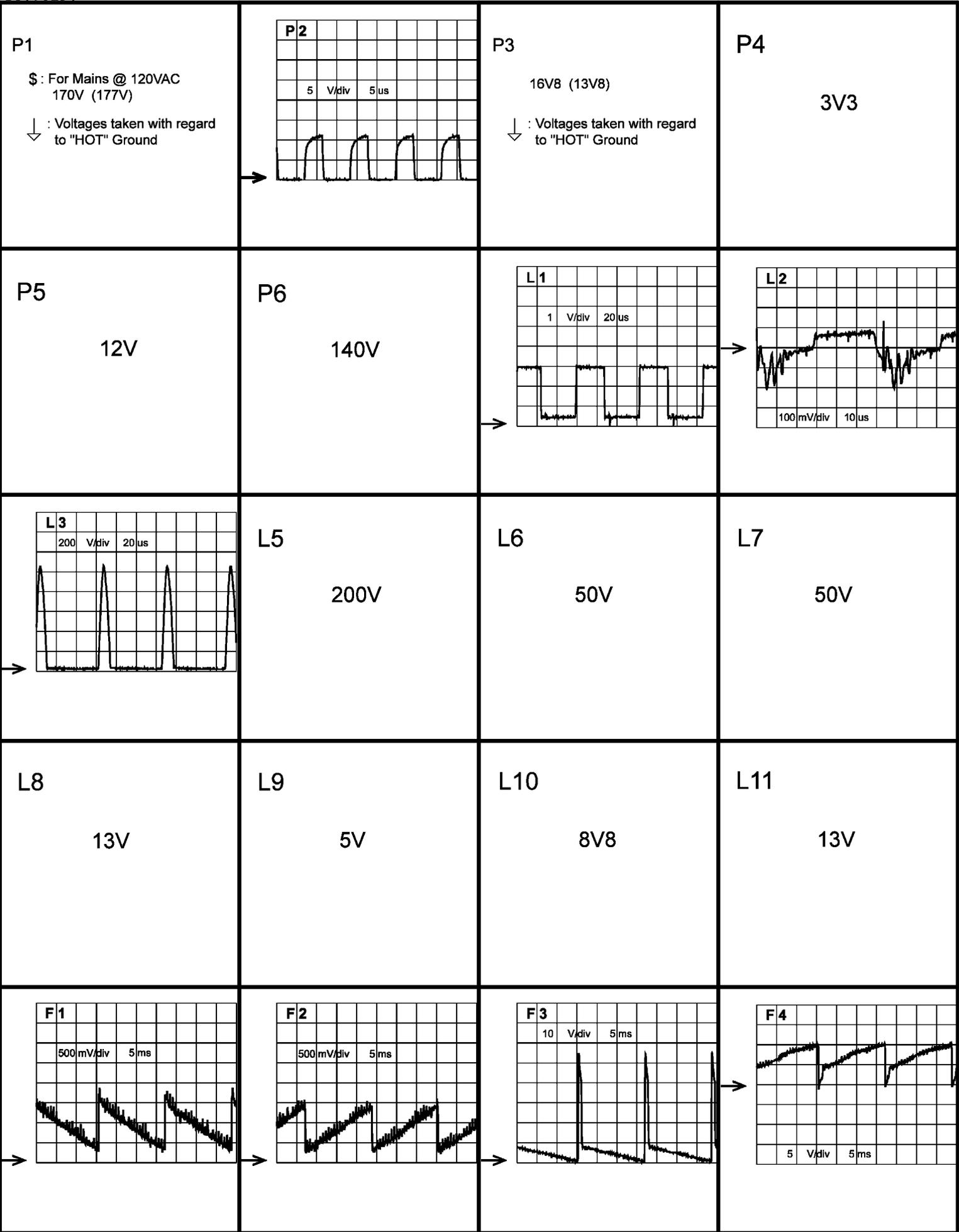
DST	Dealer Service Tool: special remote control designed for dealers to enter e.g. service mode
DVD	Digital Versatile Disc
EEPROM	Electrically Erasable and Programmable Read Only Memory
EHT	Extra High Tension
EHT- INFORMATION	Extra High Tension information
EU	Europe
EW	East West, related to horizontal deflection of the set
EXT	External (source), entering the set via SCART or Cinch
FBL	Fast Blanking: DC signal accompanying RGB signals
FILAMENT	Filament of CRT
FLASH	Flash memory
FM	Field Memory
FM	Frequency Modulation
HA	Horizontal Acquisition: horizontal sync pulse coming out of the HIP
HFB	Horizontal Flyback Pulse: horizontal sync pulse from large signal deflection
HP	Headphone
Hue	Color phase control for NTSC (not the same as 'Tint')
I	Monochrome TV system. Sound carrier distance is 6.0MHz

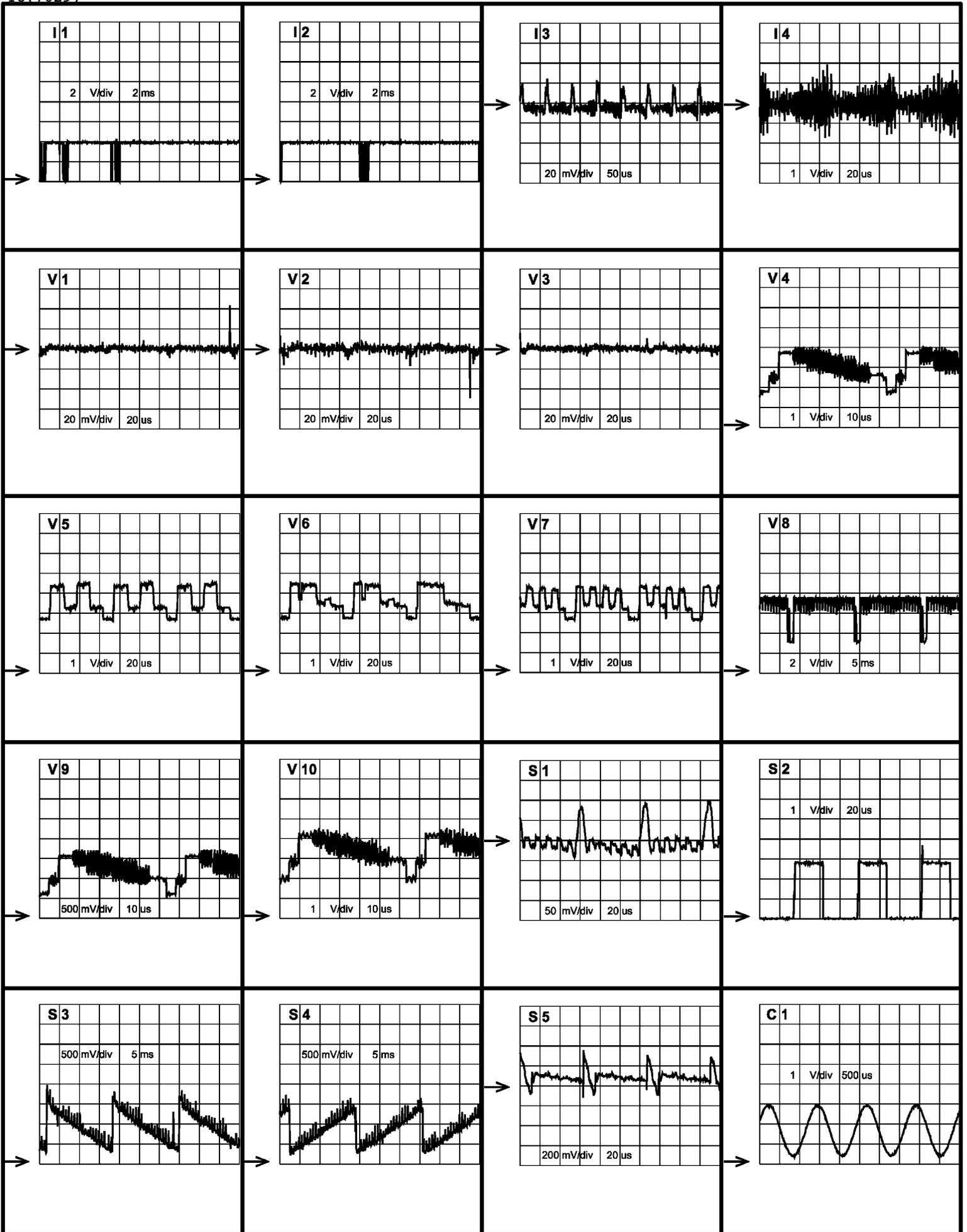
I2C	Integrated IC bus
IF	Intermediate Frequency
IIC	Integrated IC bus
Interlaced	Scan mode where two fields are used to form one frame. Each field contains half the number of the total amount of lines. The fields are written in "pairs", causing line flicker.
ITV	Institutional TV
LATAM	Latin America
LED	Light Emitting Diode
L/L'	Monochrome TV system. Sound carrier distance is 6.5MHz. L' is Band I, L is all bands except for Band I
LNA	Low Noise Amplifier
LS	Large Screen
LS	Loudspeaker
LSP	Large signal panel
M/N	Monochrome TV system. Sound carrier distance is 4.5MHz
MSP	Multistandard Sound Processor: ITT sound decoder
MUTE	Mute-Line
NC	Not Connected
NICAM	Near Instantaneous Compounded Audio Multiplexing. This is a digital sound system, mainly used in Europe.

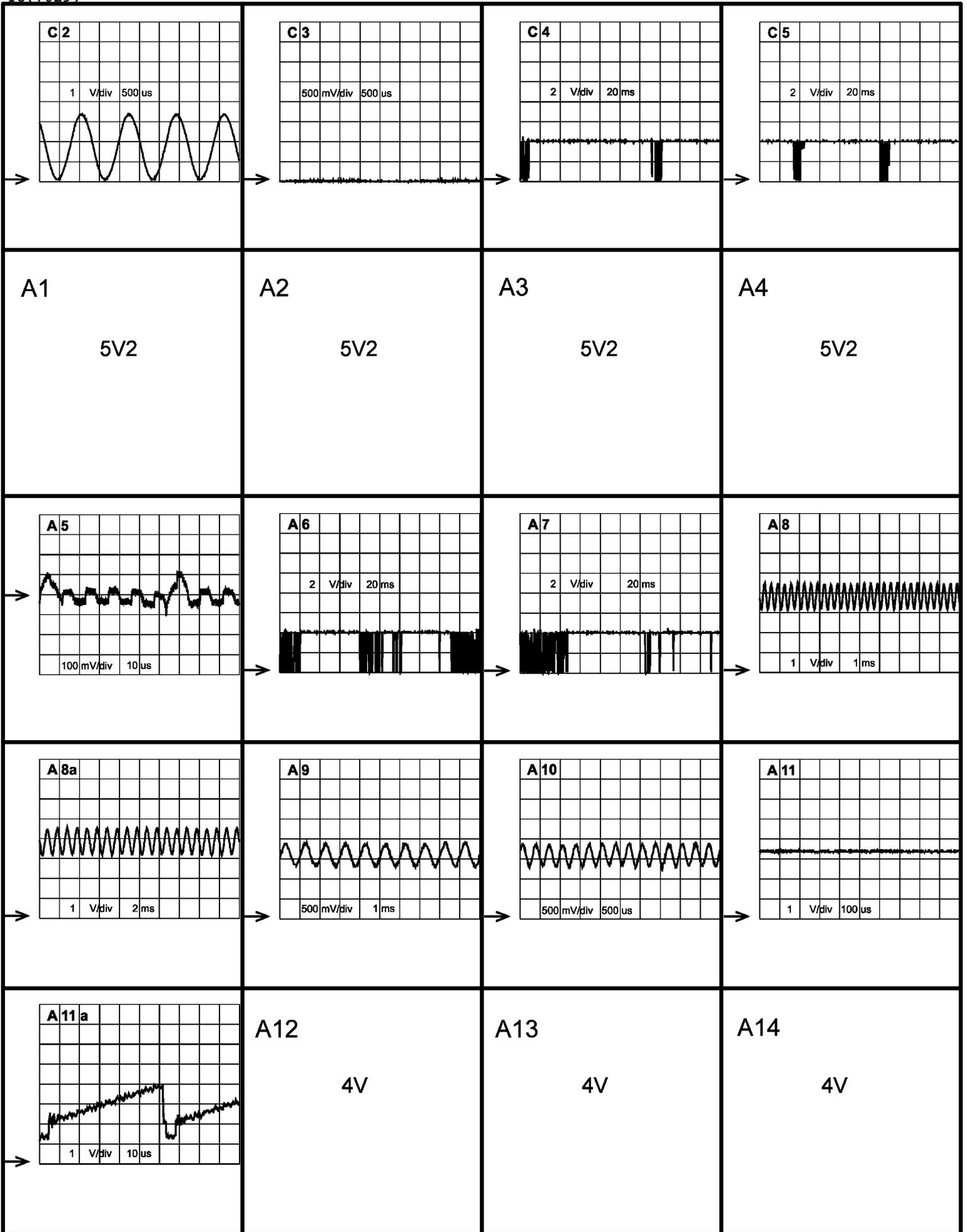
NTSC	National Television Standard Committee. Color system mainly used in North America and Japan. Color carrier NTSC M/N = 3.579545 MHz, NTSC 4.43 = 4.433619 MHz (this is a VCR norm, it is not transmitted off-air)
NVM	Non Volatile Memory: IC containing TV related data, e.g. alignments
OB	Option Byte
OC	Open Circuit
OSD	On Screen Display
PAL	Phase Alternating Line. Color system mainly used in West Europe (color carrier = 4.433619 MHz) and South America (color carrier PAL M = 3.575612 MHz and PAL N = 3.582056 MHz)
PCB	Printed Circuit board
PIP	Picture In Picture
PLL	Phase Locked Loop. Used for e.g. FST tuning systems. The customer can give directly the desired frequency
POR	Power-On Reset
Progressive Scan	Scan mode where all scan lines are displayed in one frame at the same time, creating a double vertical resolution.
PTP	Picture Tube Panel (or CRT-panel)
RAM	Random Access Memory
RC	Remote Control handset
RC5	Remote Control system 5, signal from the remote control receiver

RGB	Red Green Blue
ROM	Read Only Memory
SAM	Service Alignment Mode
SAP	Second Audio Program
SC	Sandcastle: pulse derived from sync signals
S/C	Short Circuit
SCAVEM	Scan Velocity Modulation
SCL	Serial Clock
SDA	Serial Data
SDM	Service Default Mode
SECAM	SEequence Couleur Avec Memoire. Color system mainly used in France and East Europe. Color carriers = 4.406250MHz and 4.250000 MHz
SIF	Sound Intermediate Frequency
SS	Small Screen
STBY	Standby
SVHS	Super Video Home System
SW	Software
THD	Total Harmonic Distortion
TXT	Teletext
μP	Microprocessor

UOC	Ultimate One Chip
VA	Vertical Acquisition
VBAT	Main supply voltage for the deflection stage (mostly 141 V)
V-chip	Violence Chip
VCR	Video Cassette Recorder
WYSIWYR	What You See Is What You Record: record selection that follows main picture and sound
XTAL	Quartz crystal
YC	Luminance (Y) and Chrominance (C) signal





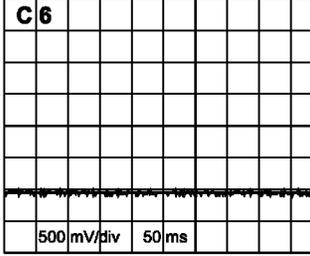


A15

4V

A16

4V



V20

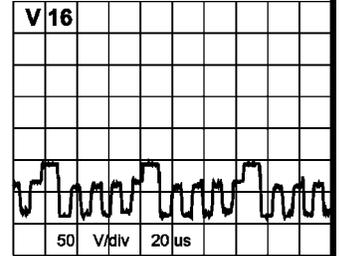
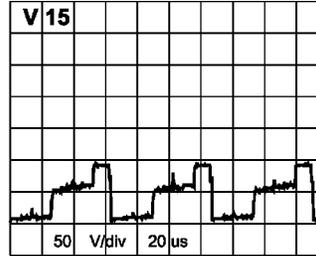
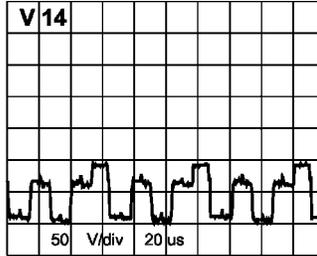
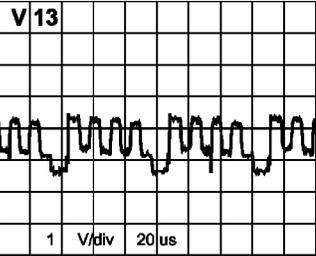
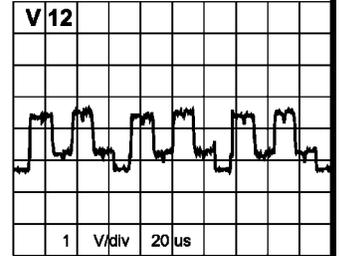
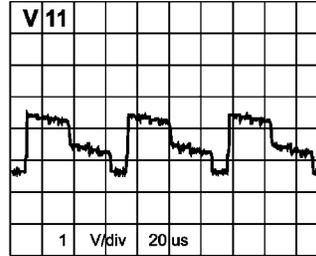
1V1

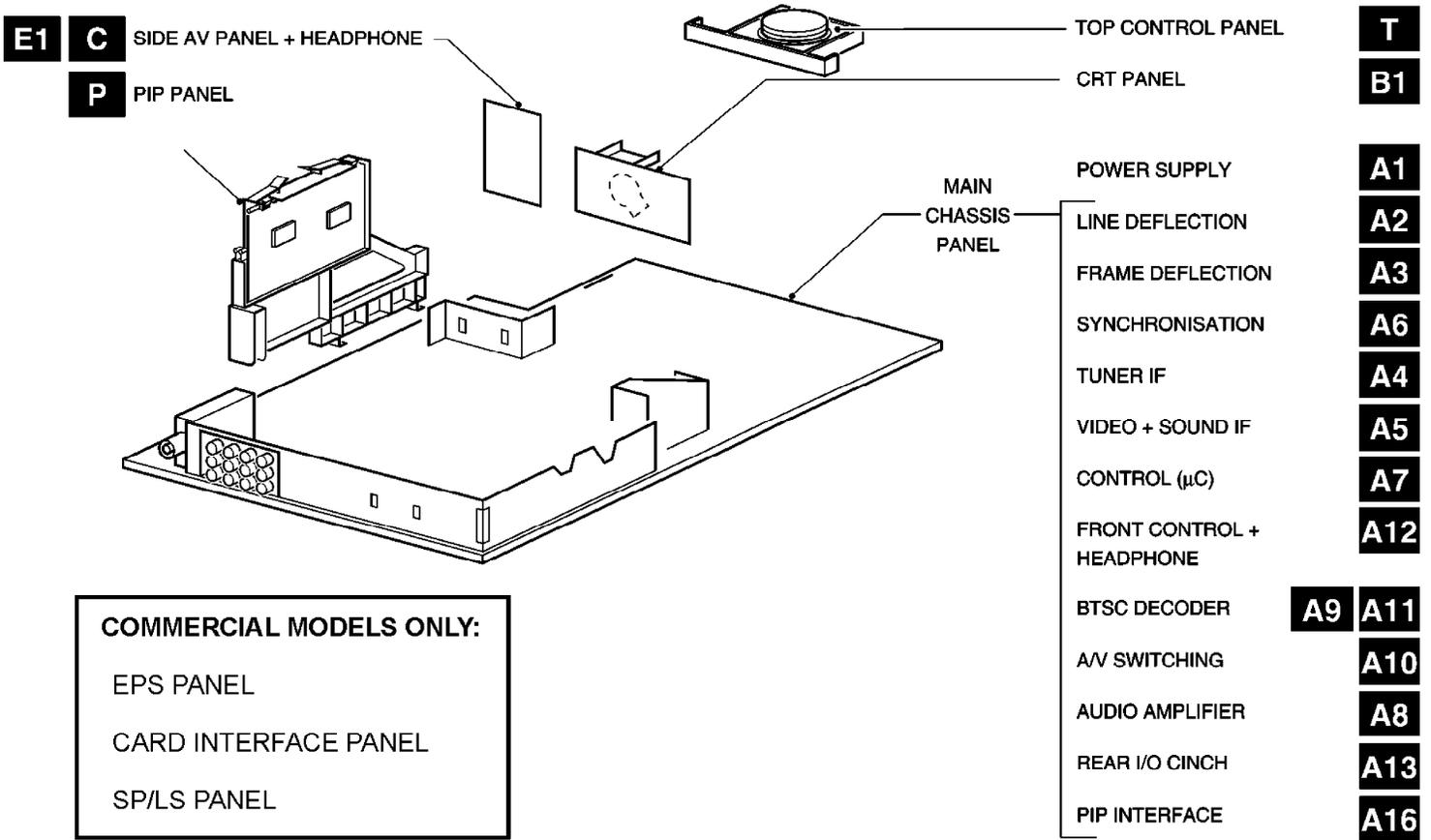
V21

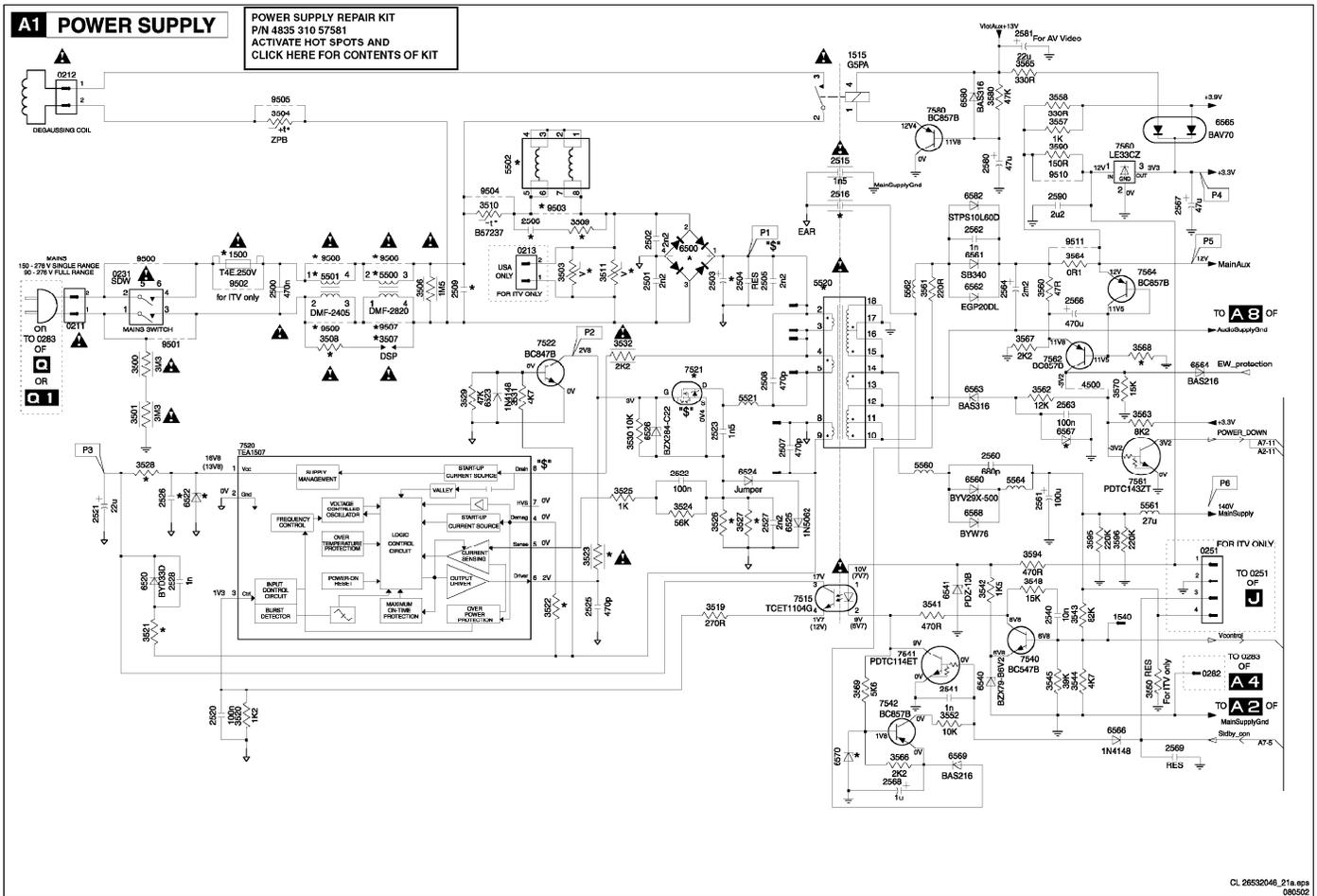
1V3

V22

0V7

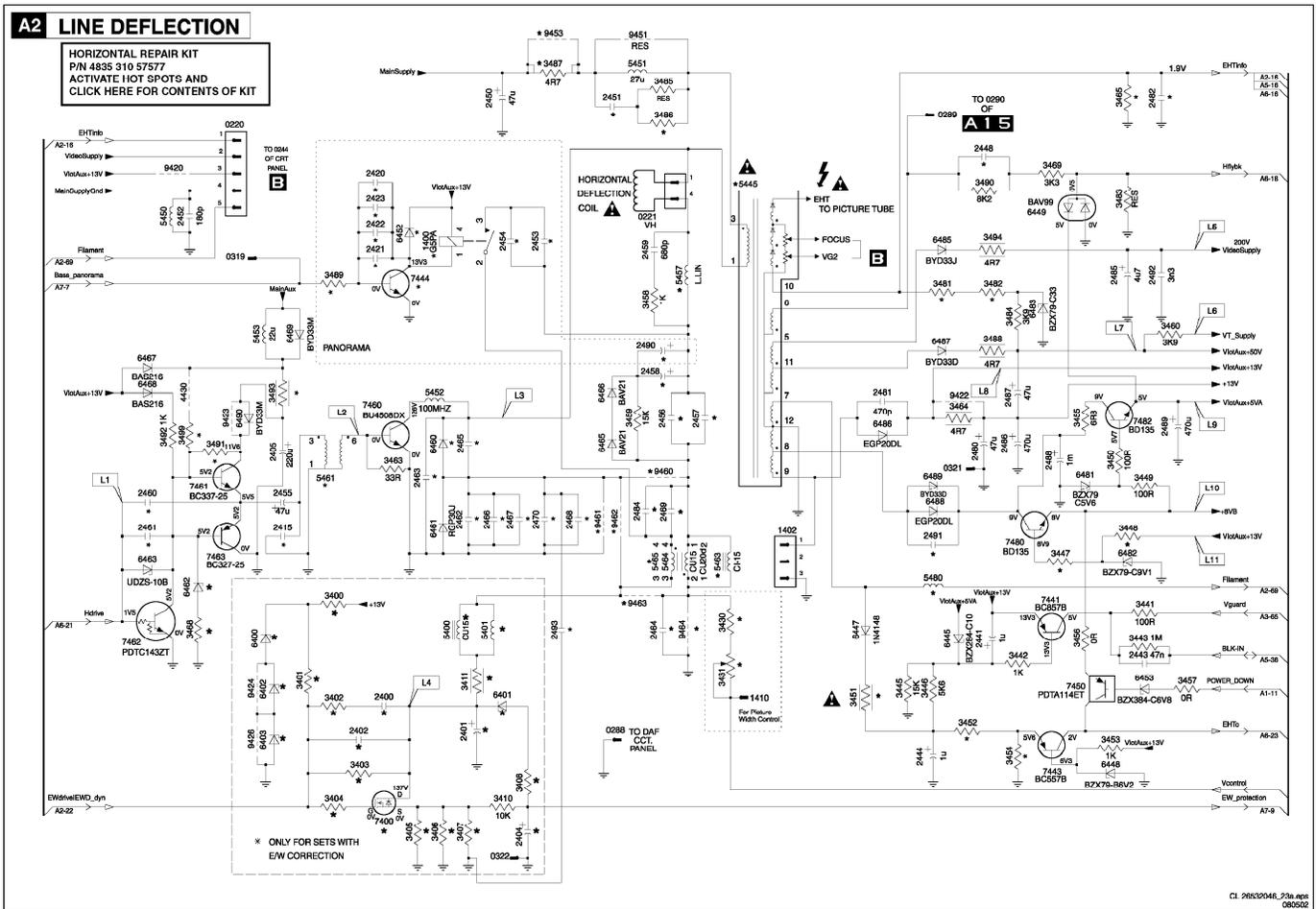






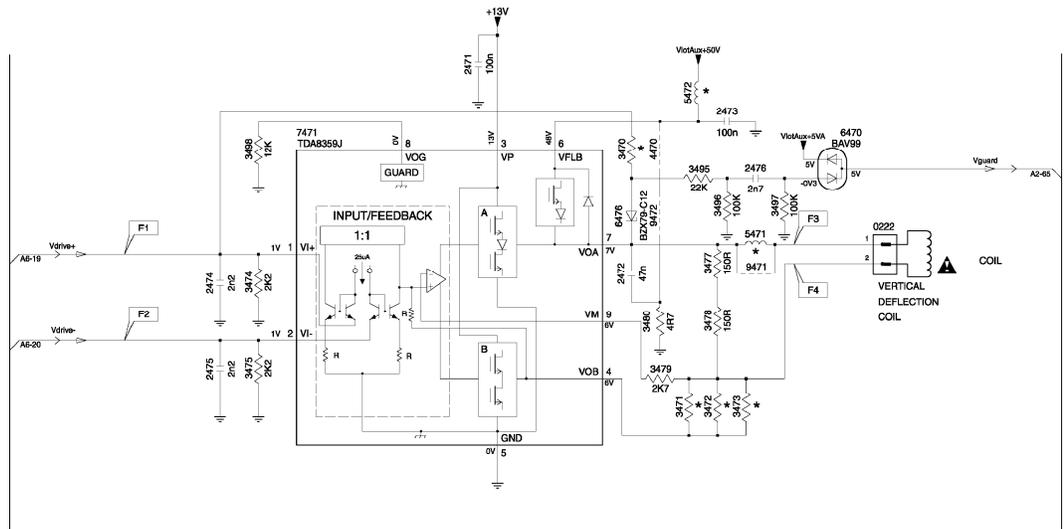
A2 LINE DEFLECTION

HORIZONTAL REPAIR KIT
 PIN 4835 310 57577
 ACTIVATE HOT SPOTS AND
 CLICK HERE FOR CONTENTS OF KIT

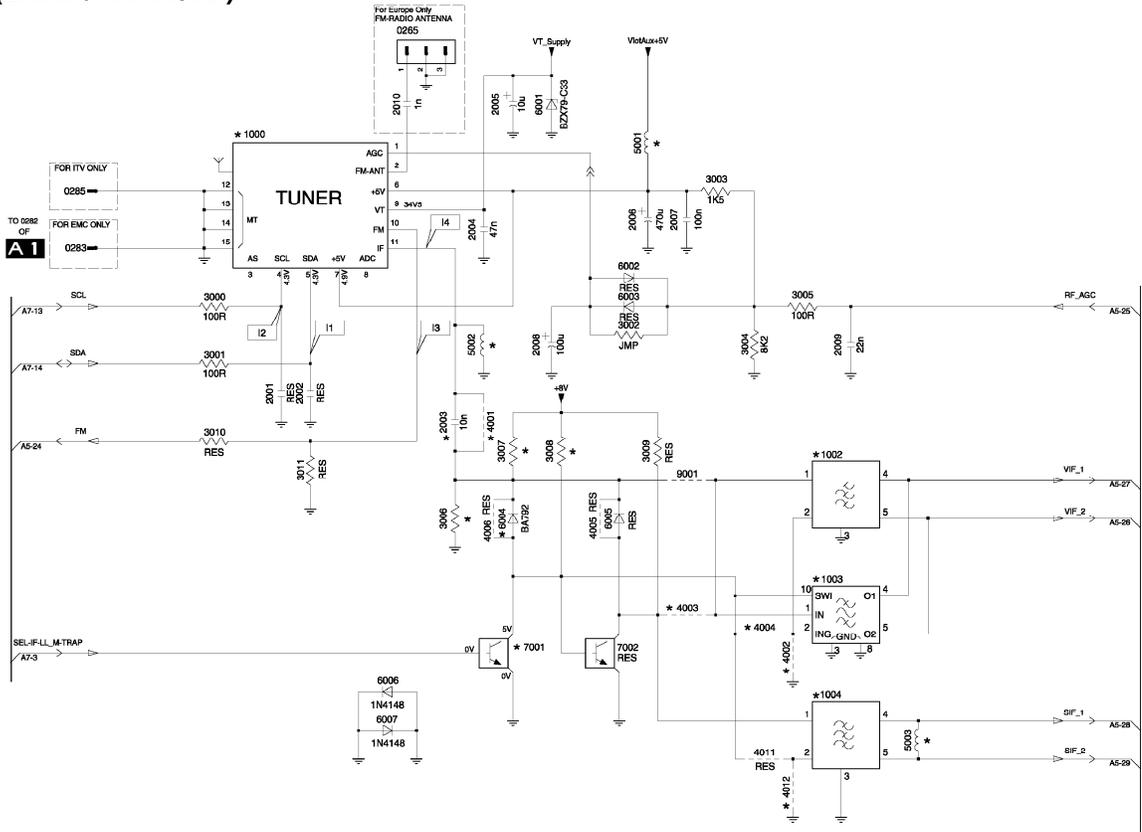


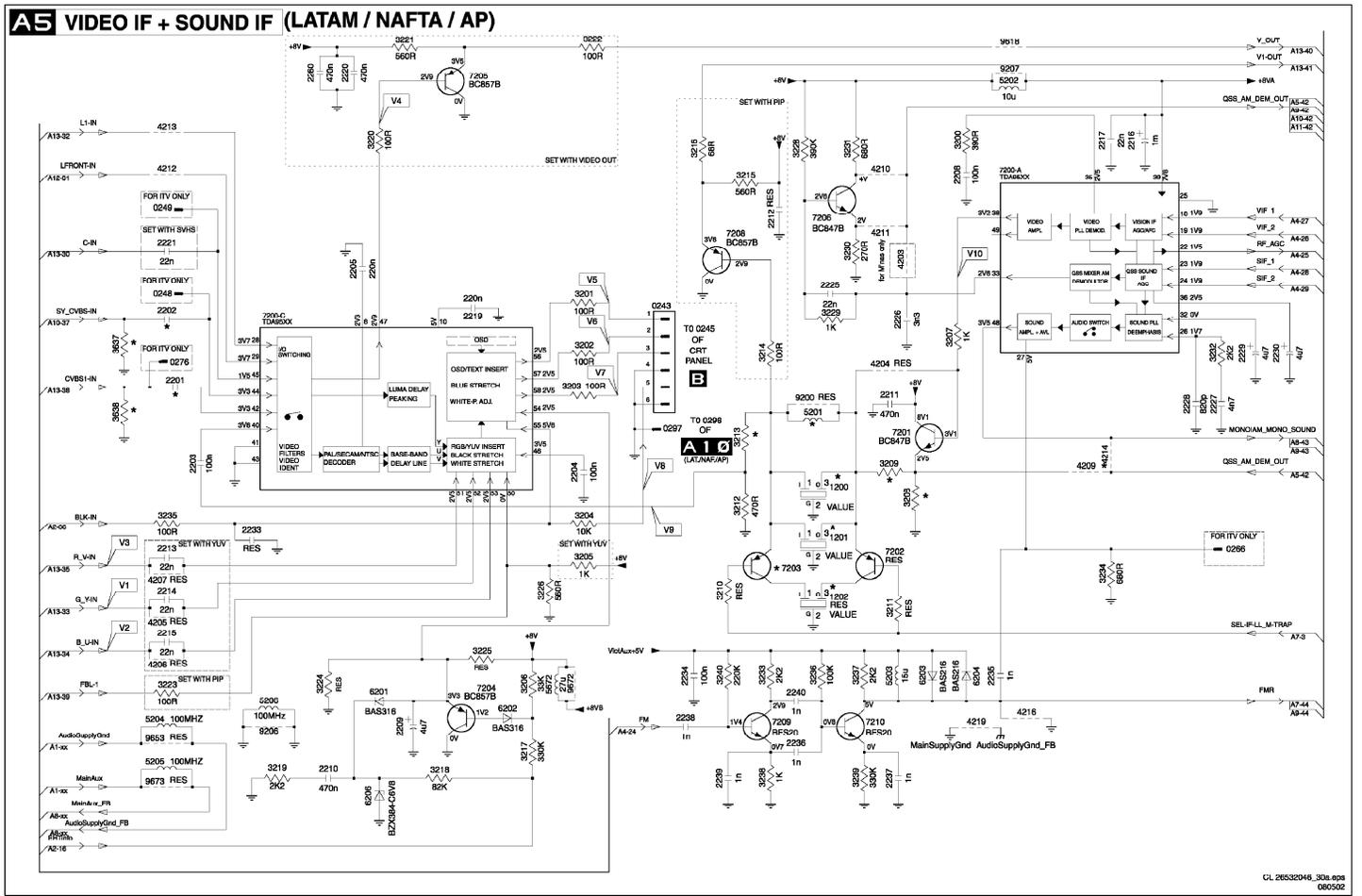
A3 FRAME DEFLECTION

VERTICAL REPAIR KIT
 P/N 4835 310 57582
 ACTIVATE HOT SPOTS AND
 CLICK HERE FOR CONTENTS OF KIT

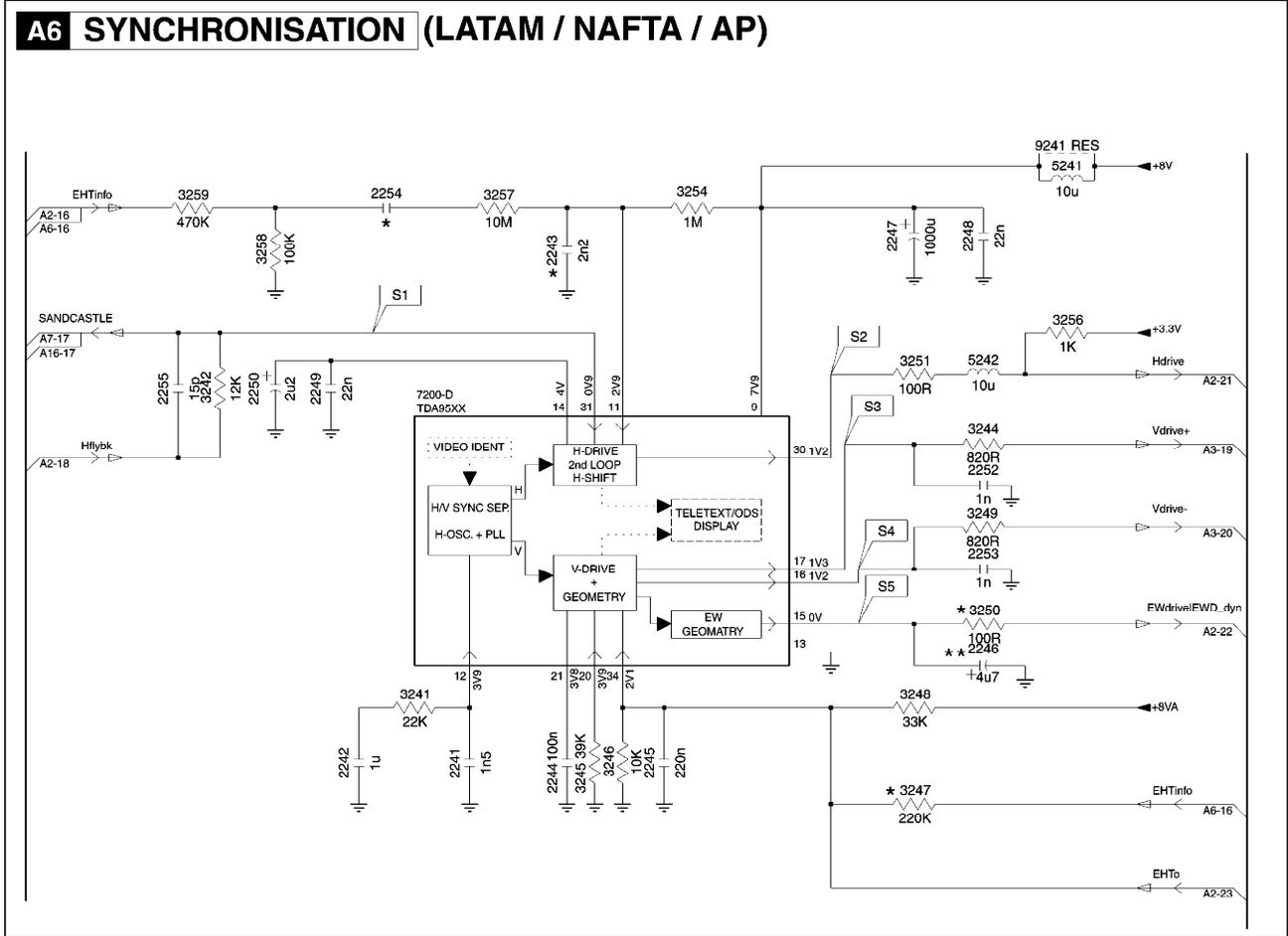


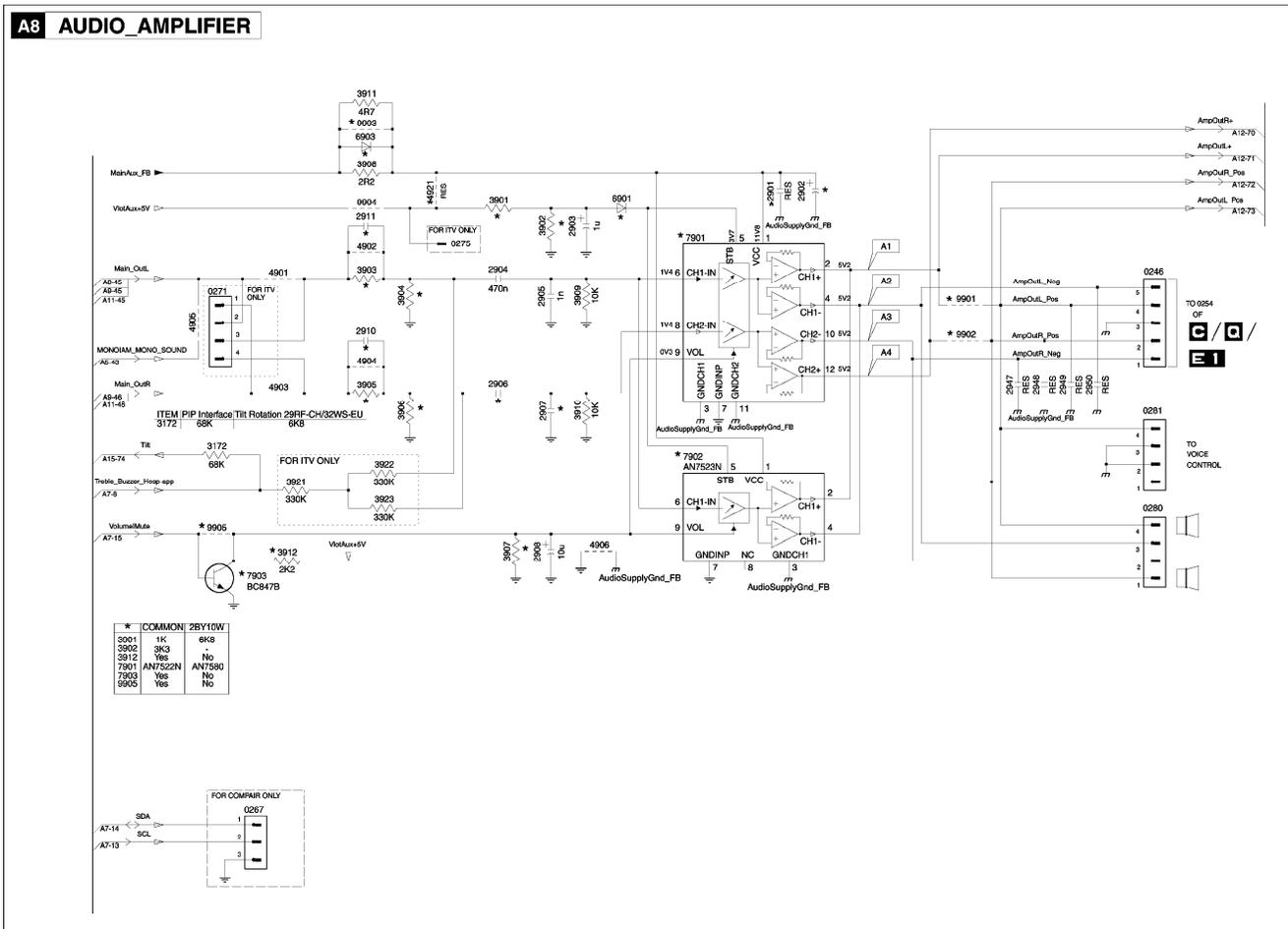
A4 TUNER IF (LATAM / NAFTA / AP)

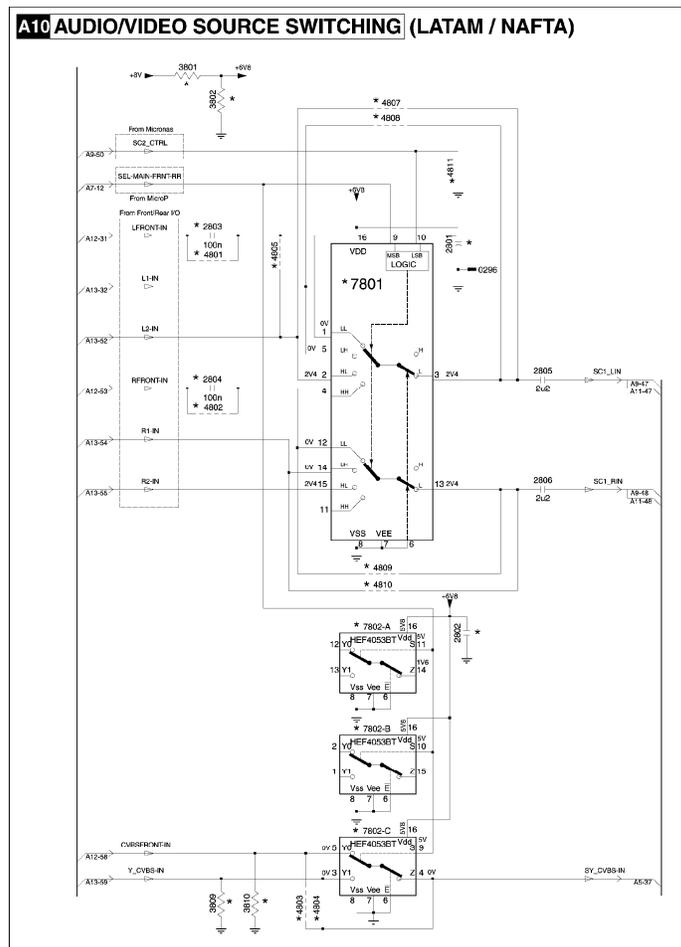




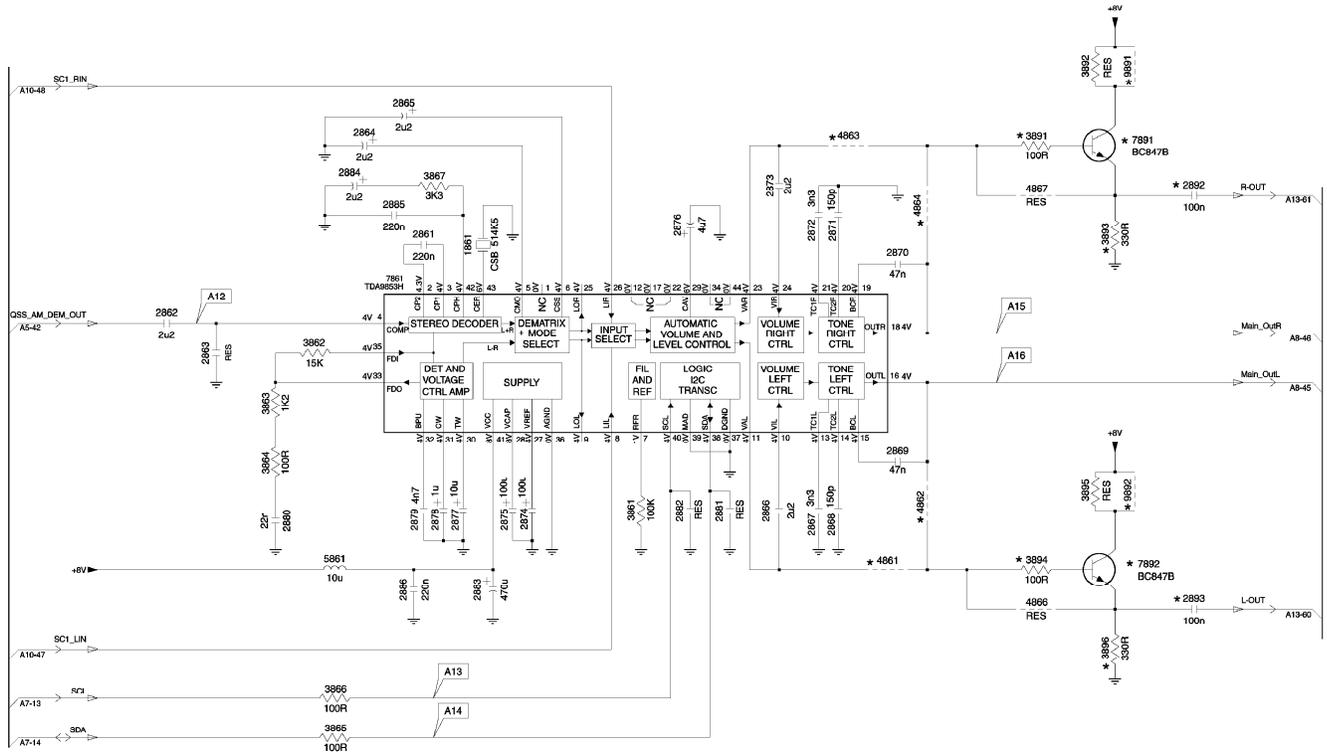
CL 26532046_308.008
08/05/02

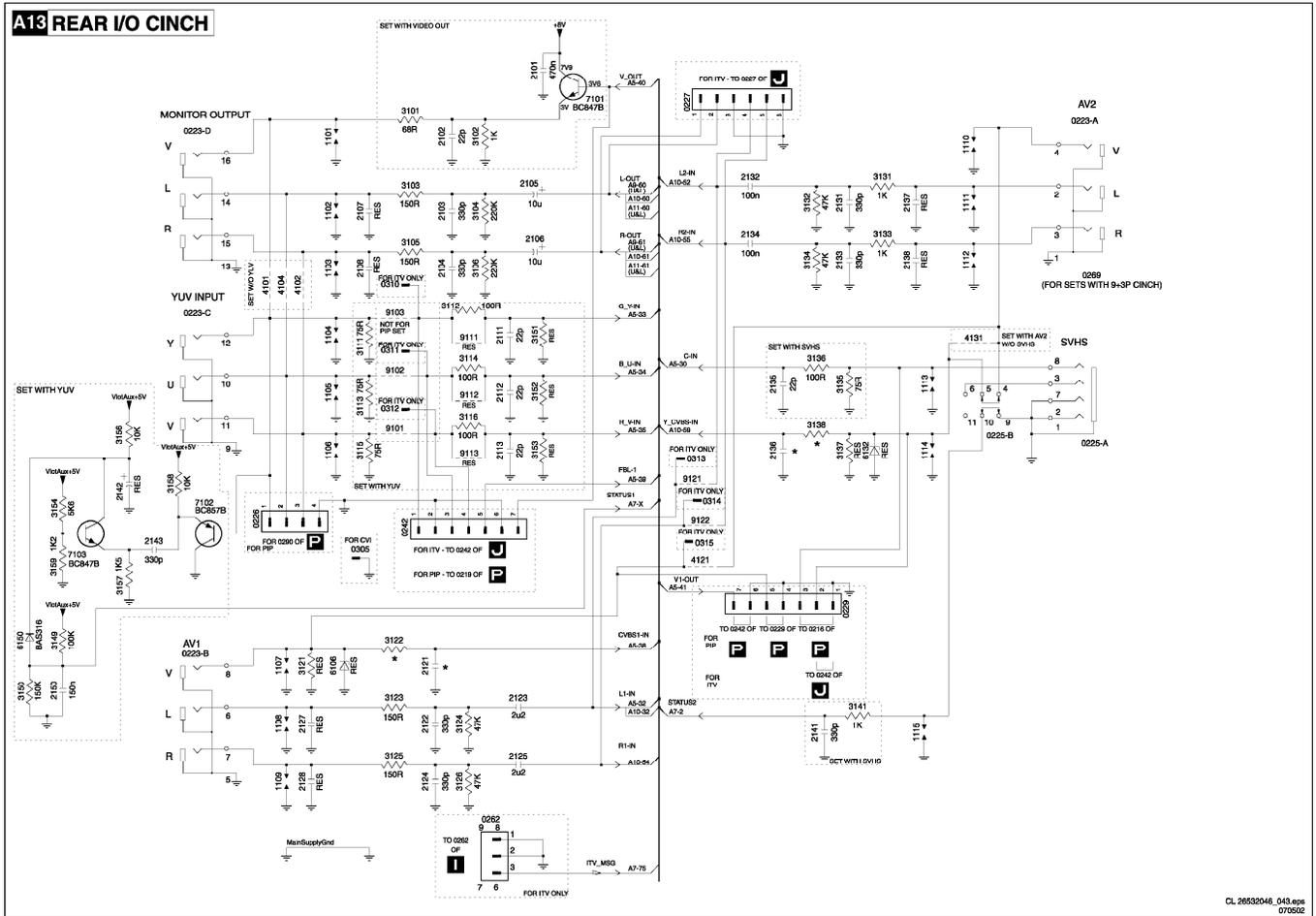




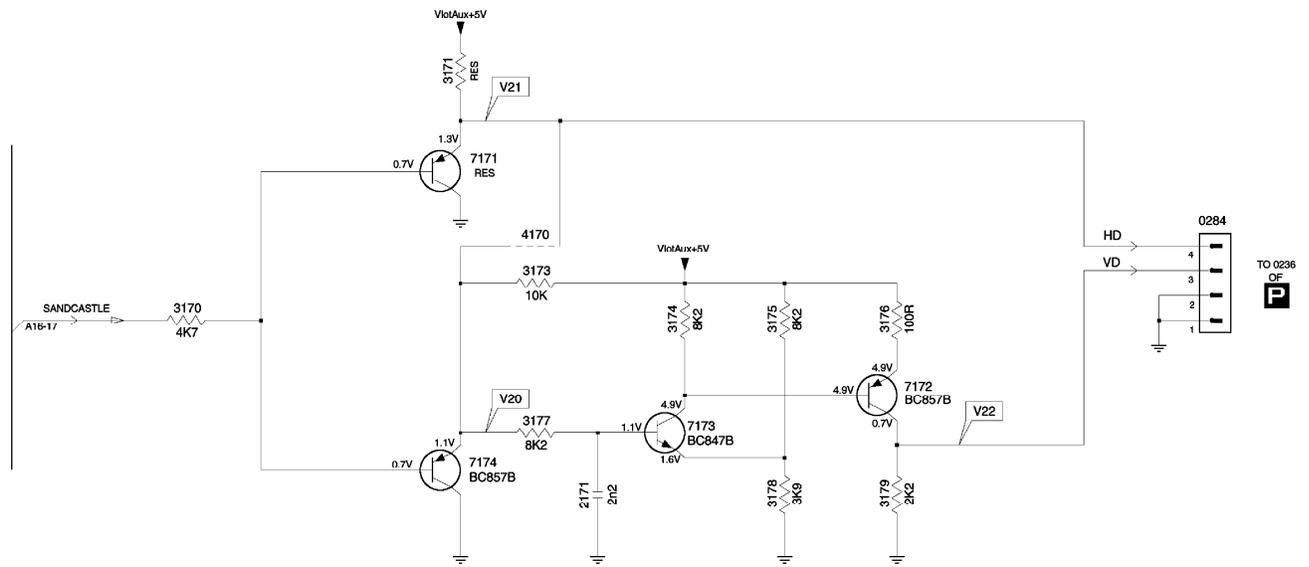


A11 BTSC - NDBX STEREO DECODER (LATAM / NAFTA)

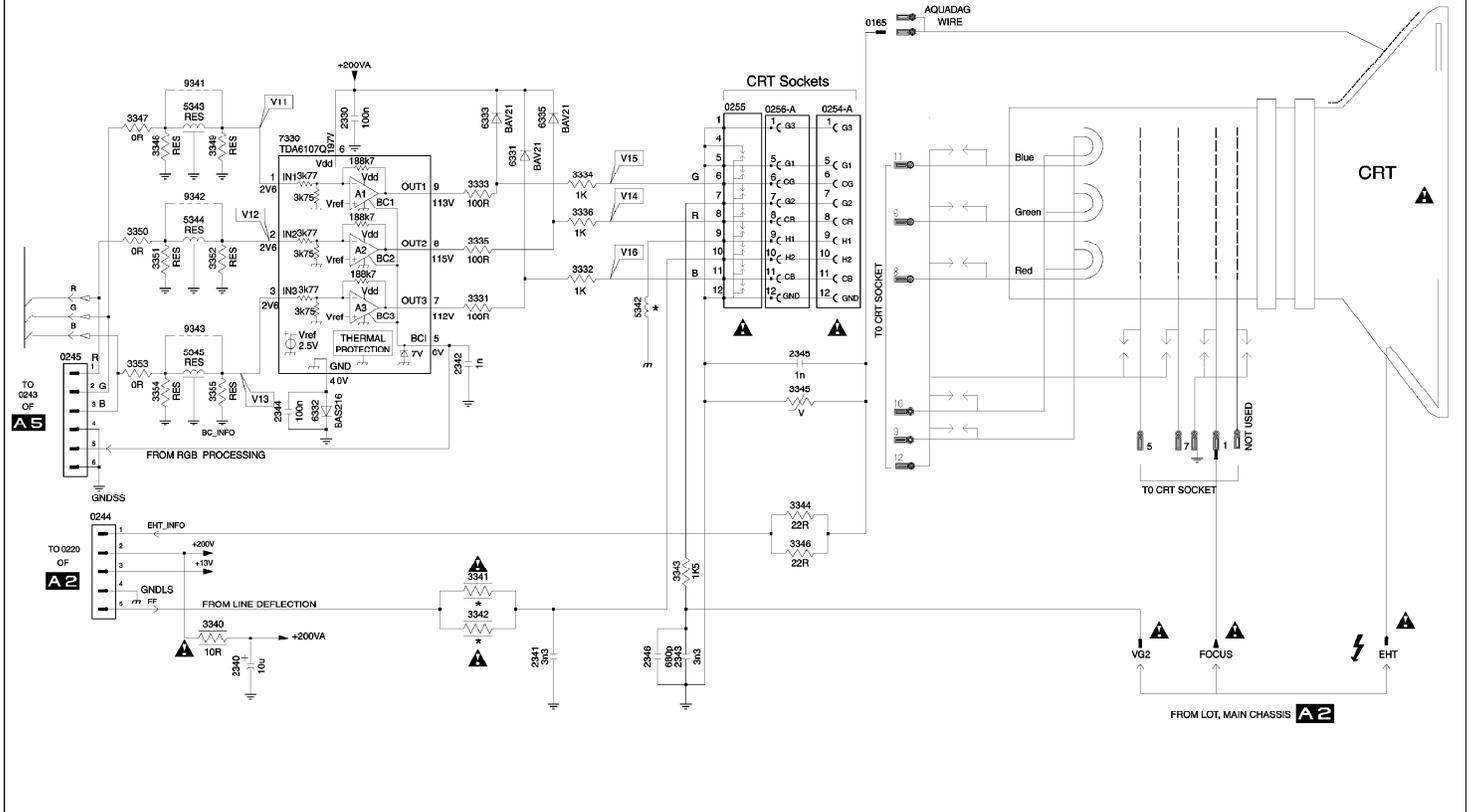




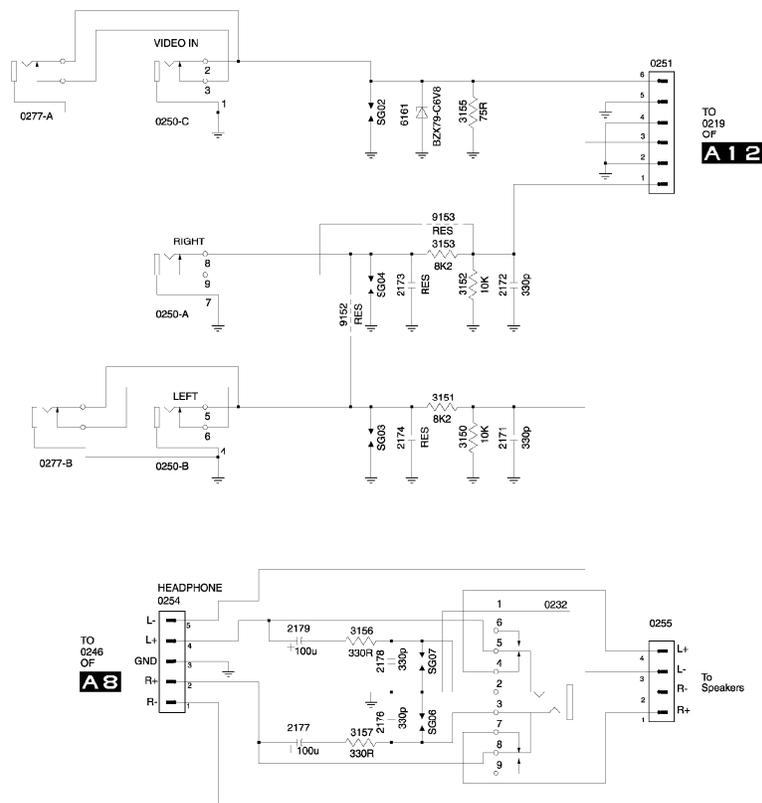
A16 PIP INTERFACE



B1 CRT PANEL (LATAM / NAFTA / AP)



C SIDE AV + HP PANEL

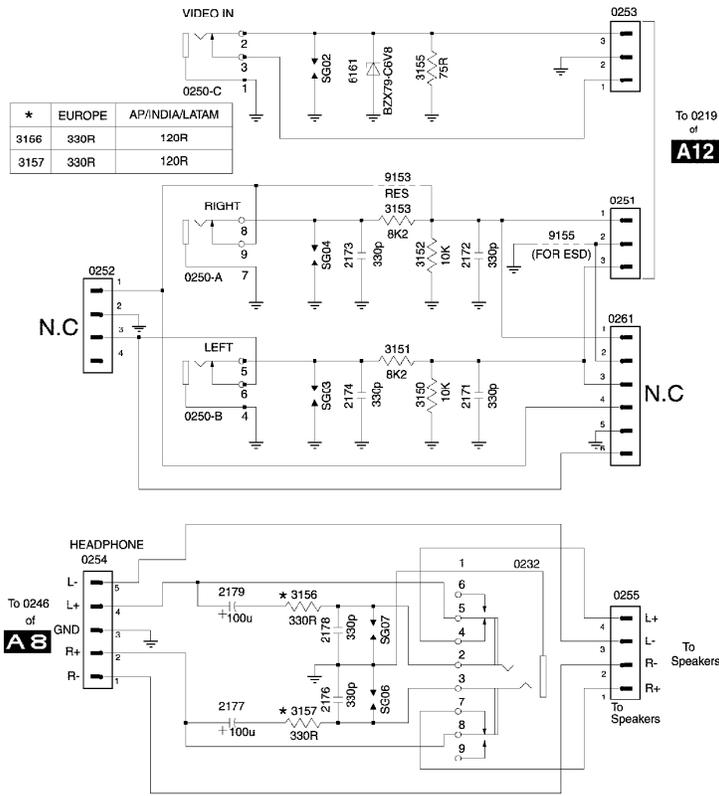


TO
0219
OF
A 12

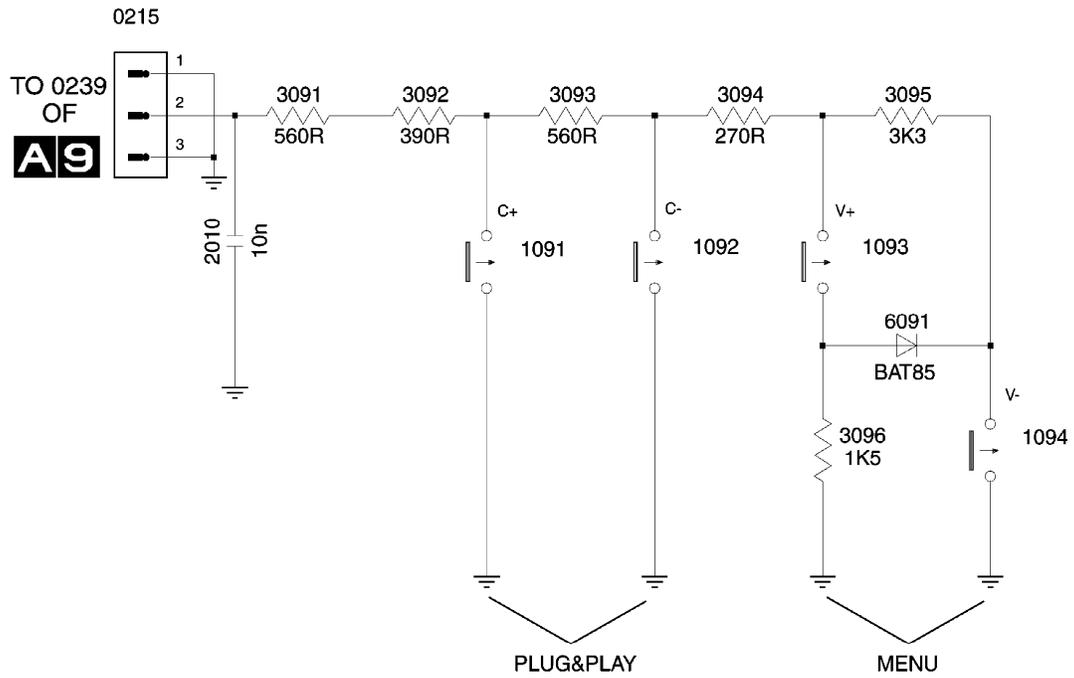
TO
0246
OF
A 8

To
Speakers

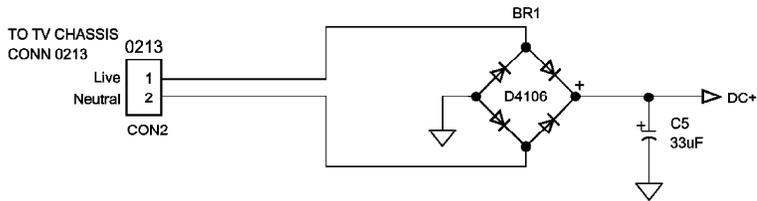
E 1 SIDE AV PANEL & HEADPHONE



T TOP CONTROL PANEL (RF)

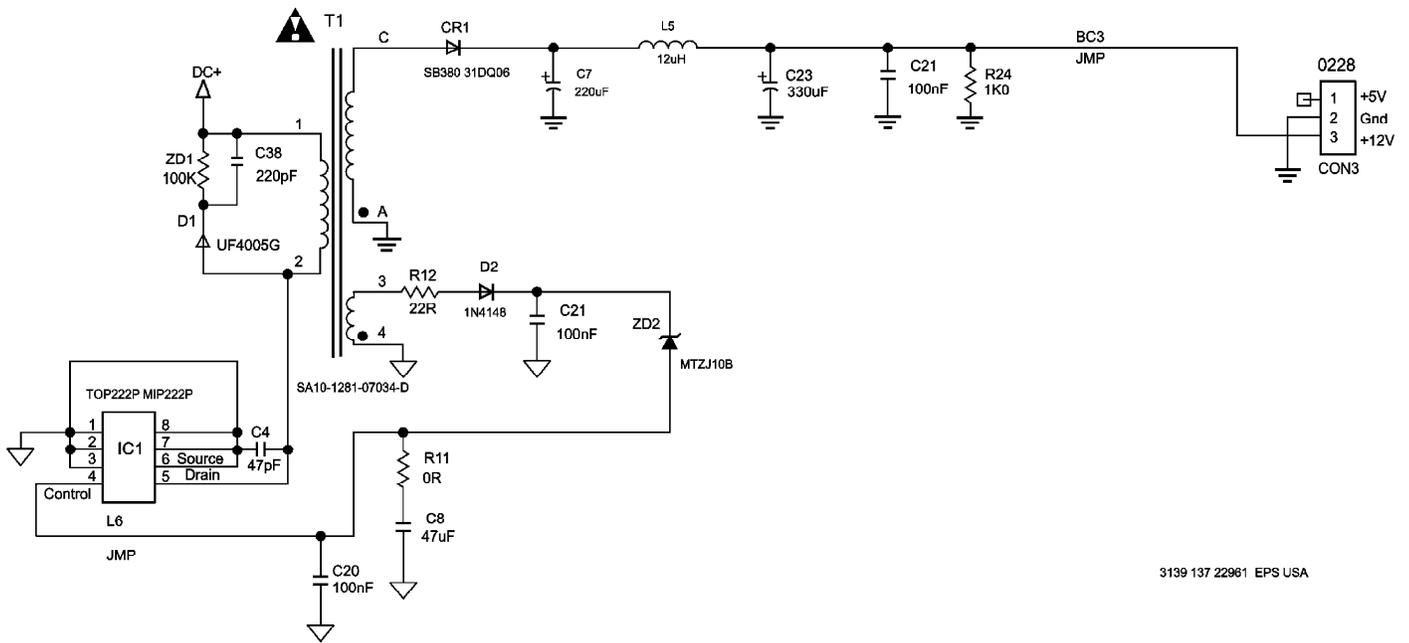


EPS PANEL SCHEMATIC



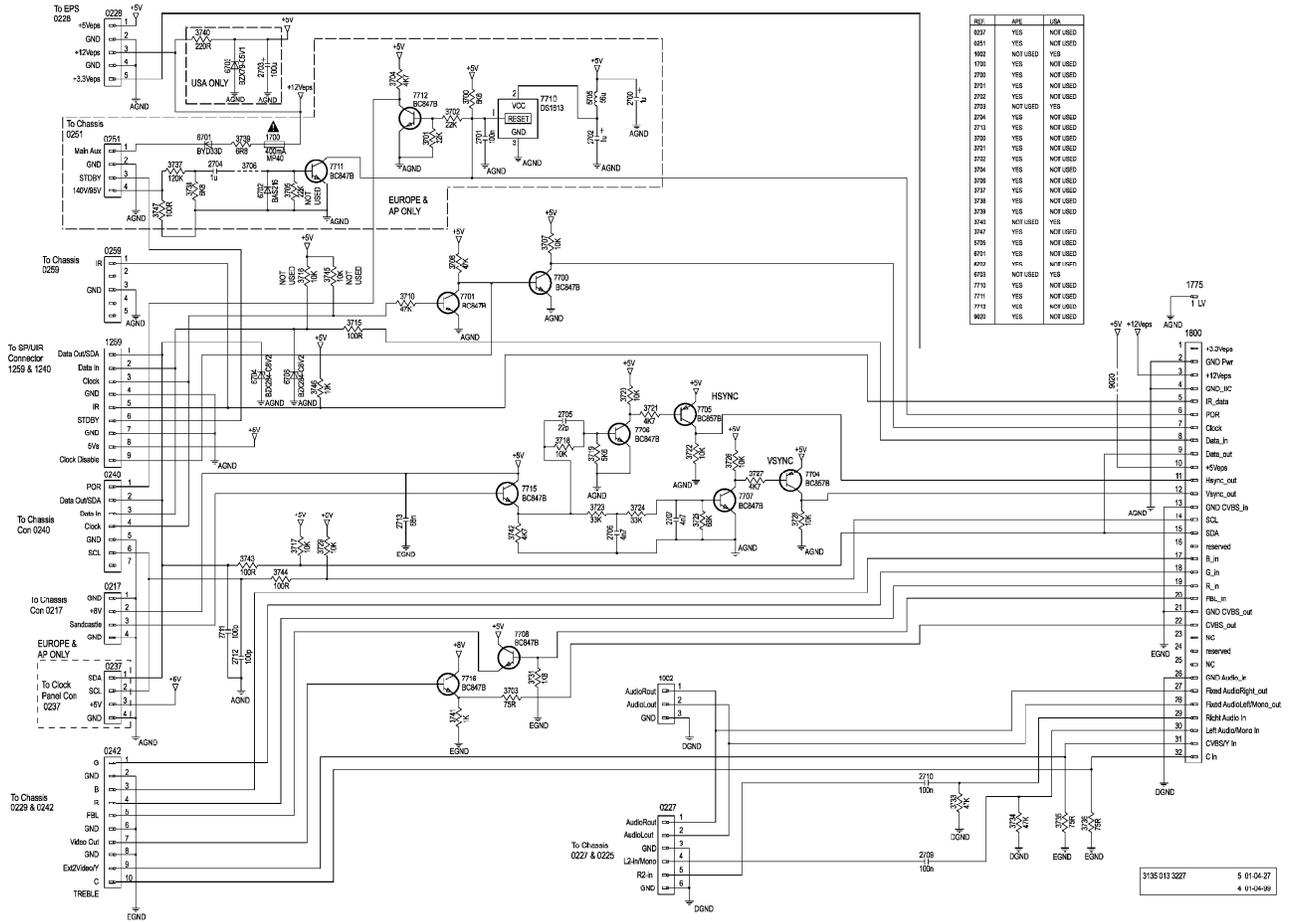
Parts Notice:

No component parts are available for this board assembly. Replace with the complete board assembly part number. Type "CBA" (no quote marks), to access board assembly part numbers.



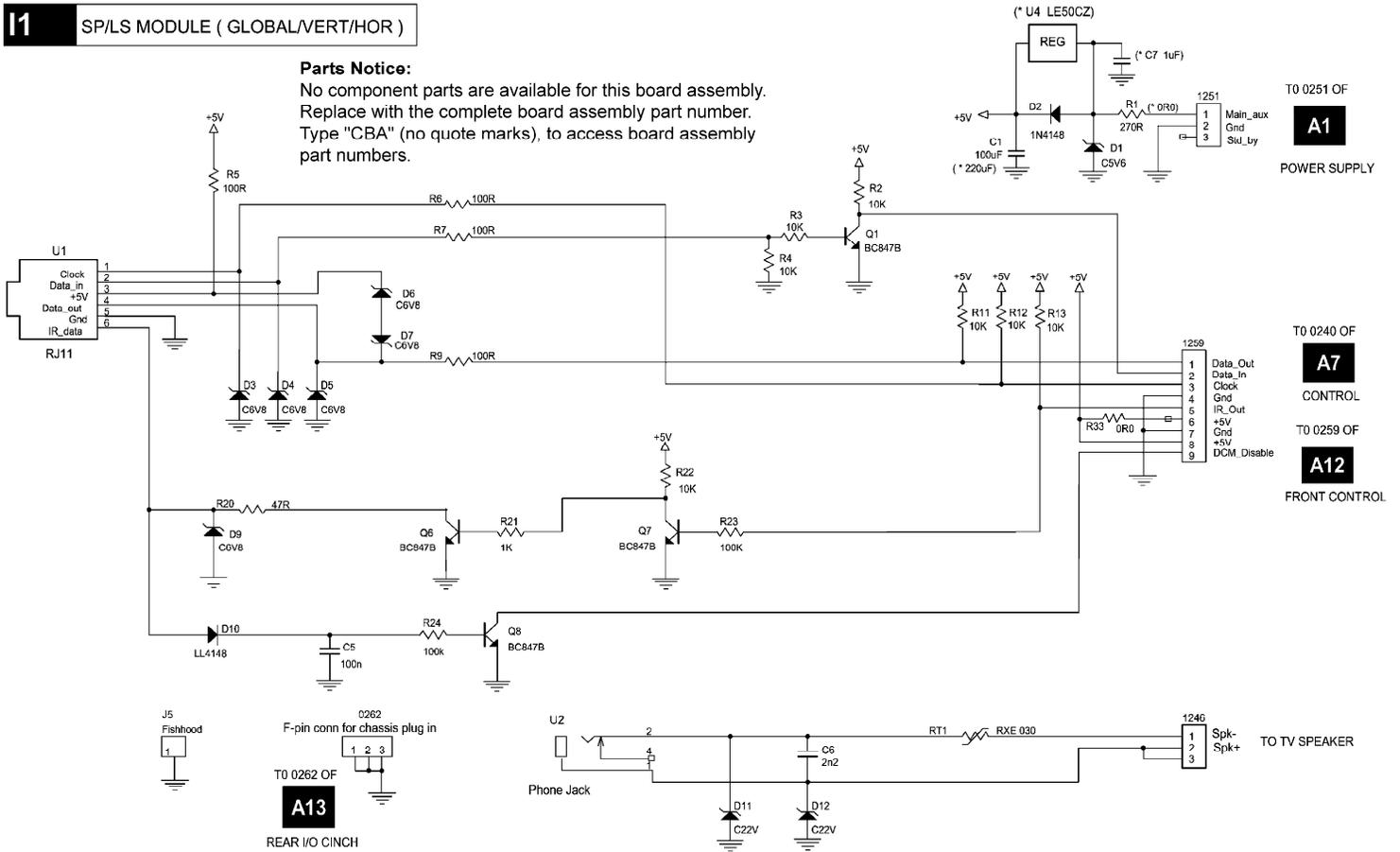
3139 137 22961 EPS USA

Card Interface Panel Schematic



I1 SP/LS MODULE (GLOBAL/VERT/HOR)

Parts Notice:
 No component parts are available for this board assembly.
 Replace with the complete board assembly part number.
 Type "CBA" (no quote marks), to access board assembly part numbers.



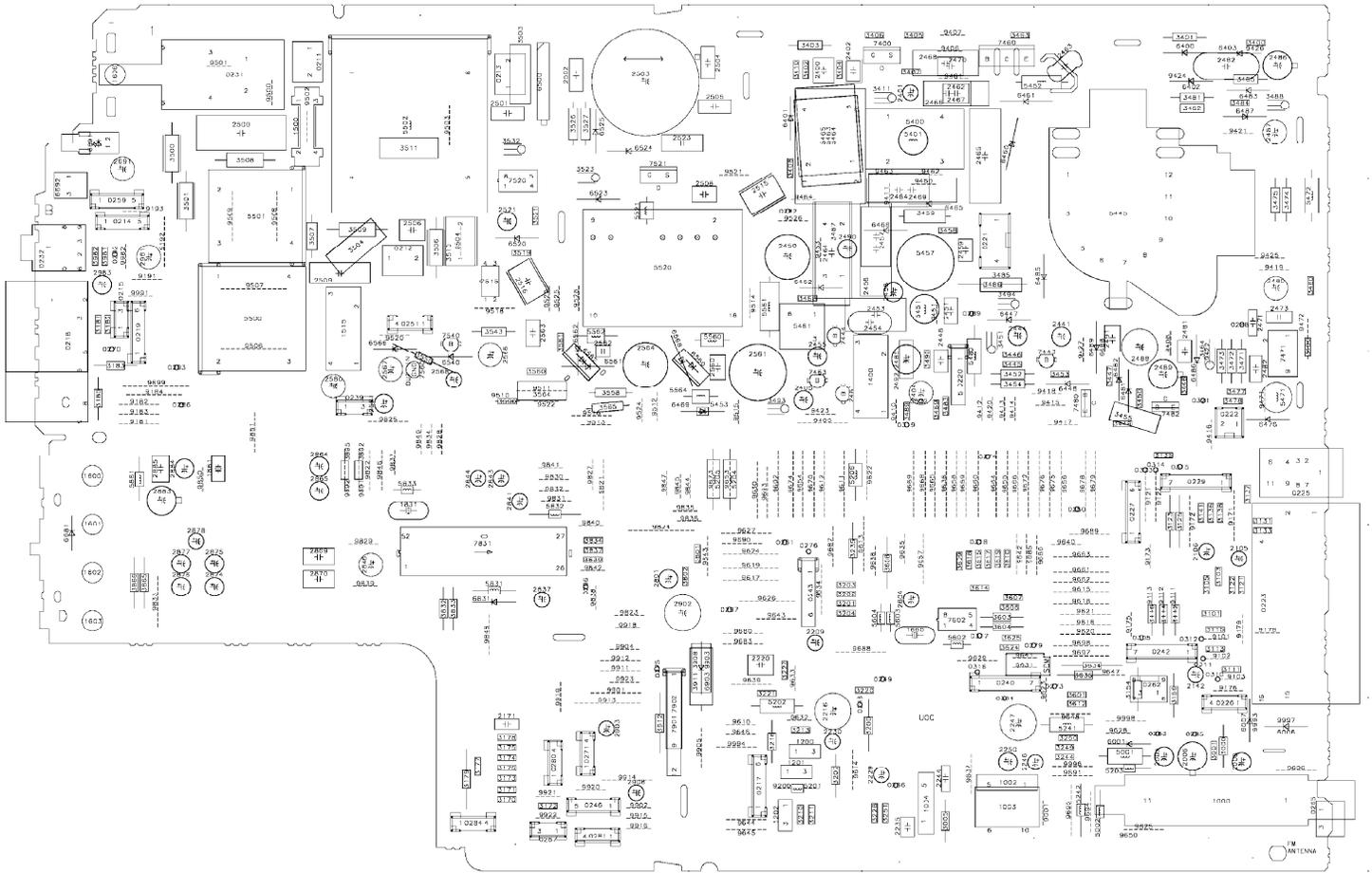
T0 0251 OF
A1
 POWER SUPPLY

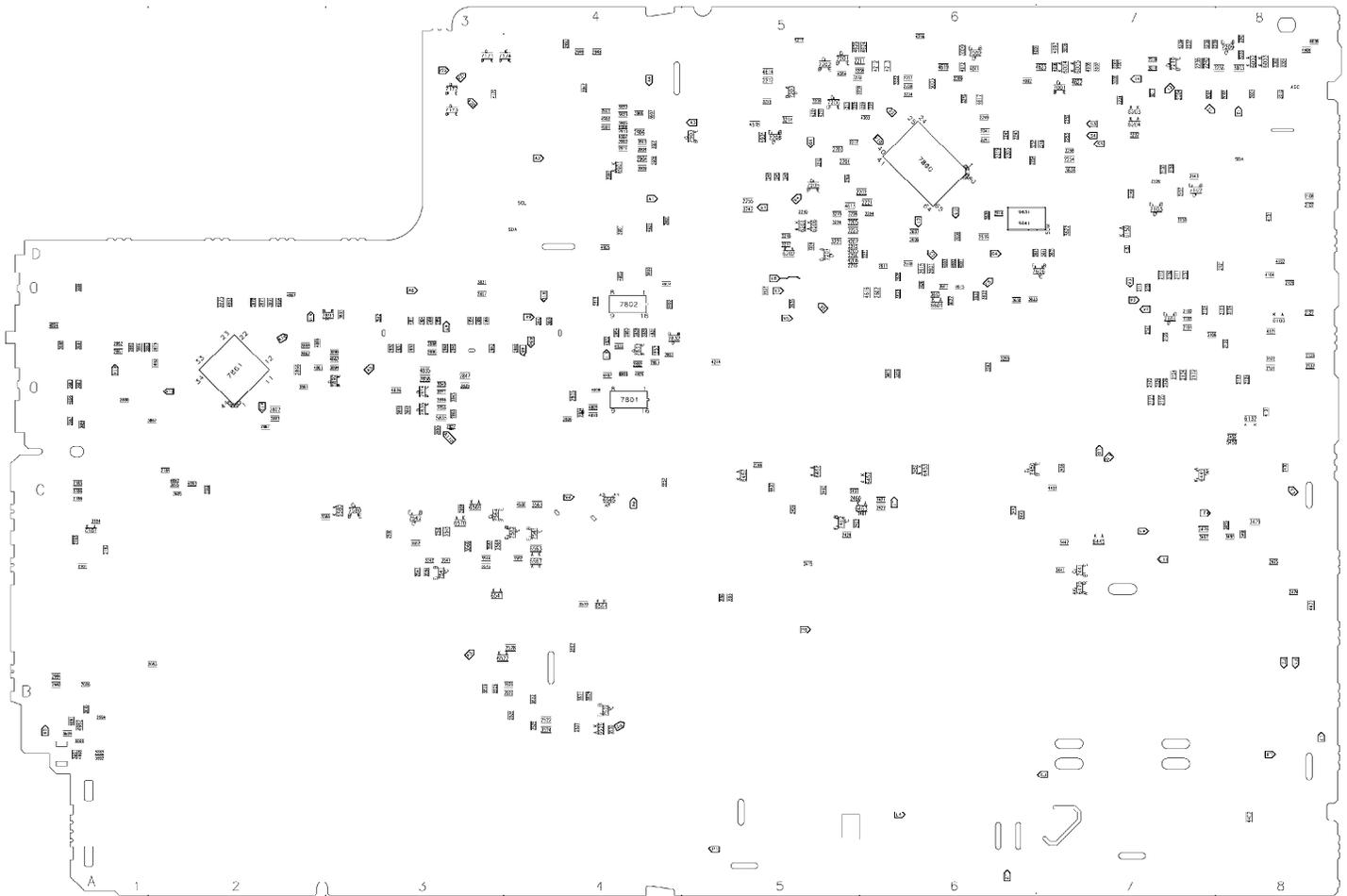
T0 0240 OF
A7
 CONTROL

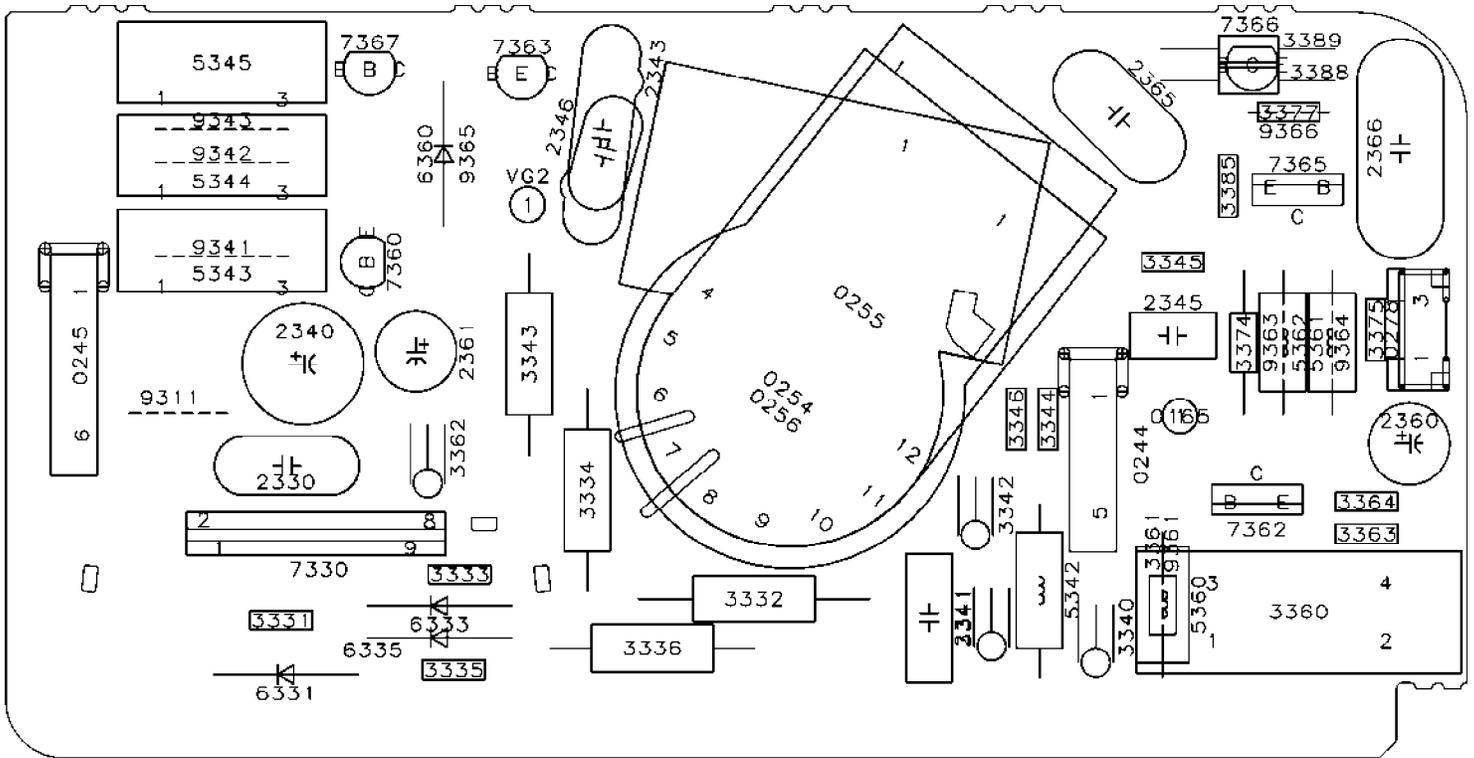
T0 0259 OF
A12
 FRONT CONTROL

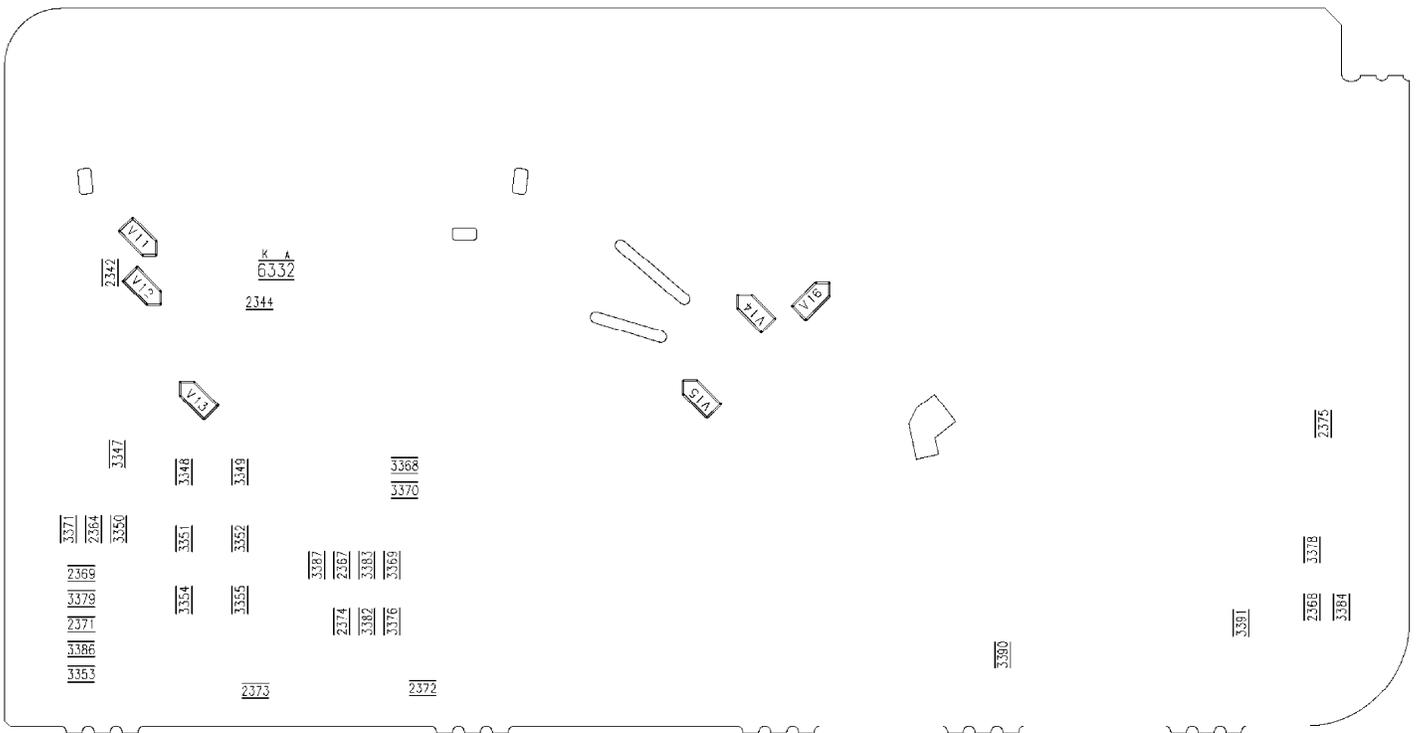
J5 Fishhood
 F-pin conn for chassis plug in
 T0 0262 OF
A13
 REAR I/O CINCH

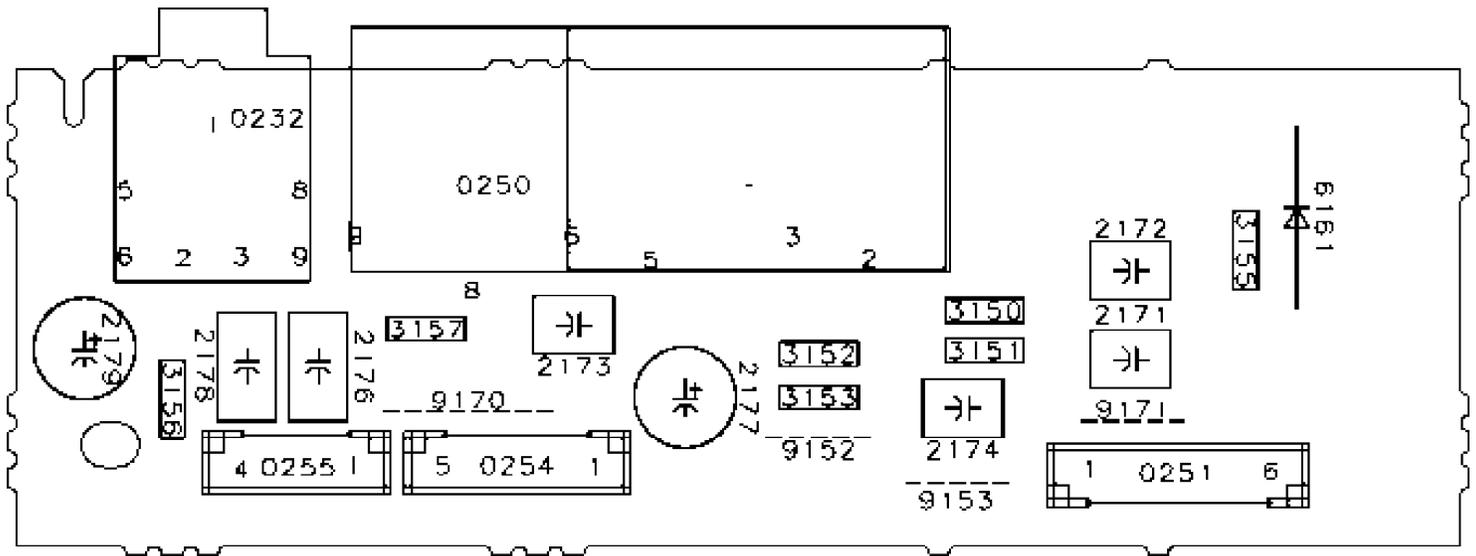
U2 Phone Jack
 C6 2n2
 RT1 RXE 030
 1246 Spk- Spk+
 TO TV SPEAKER

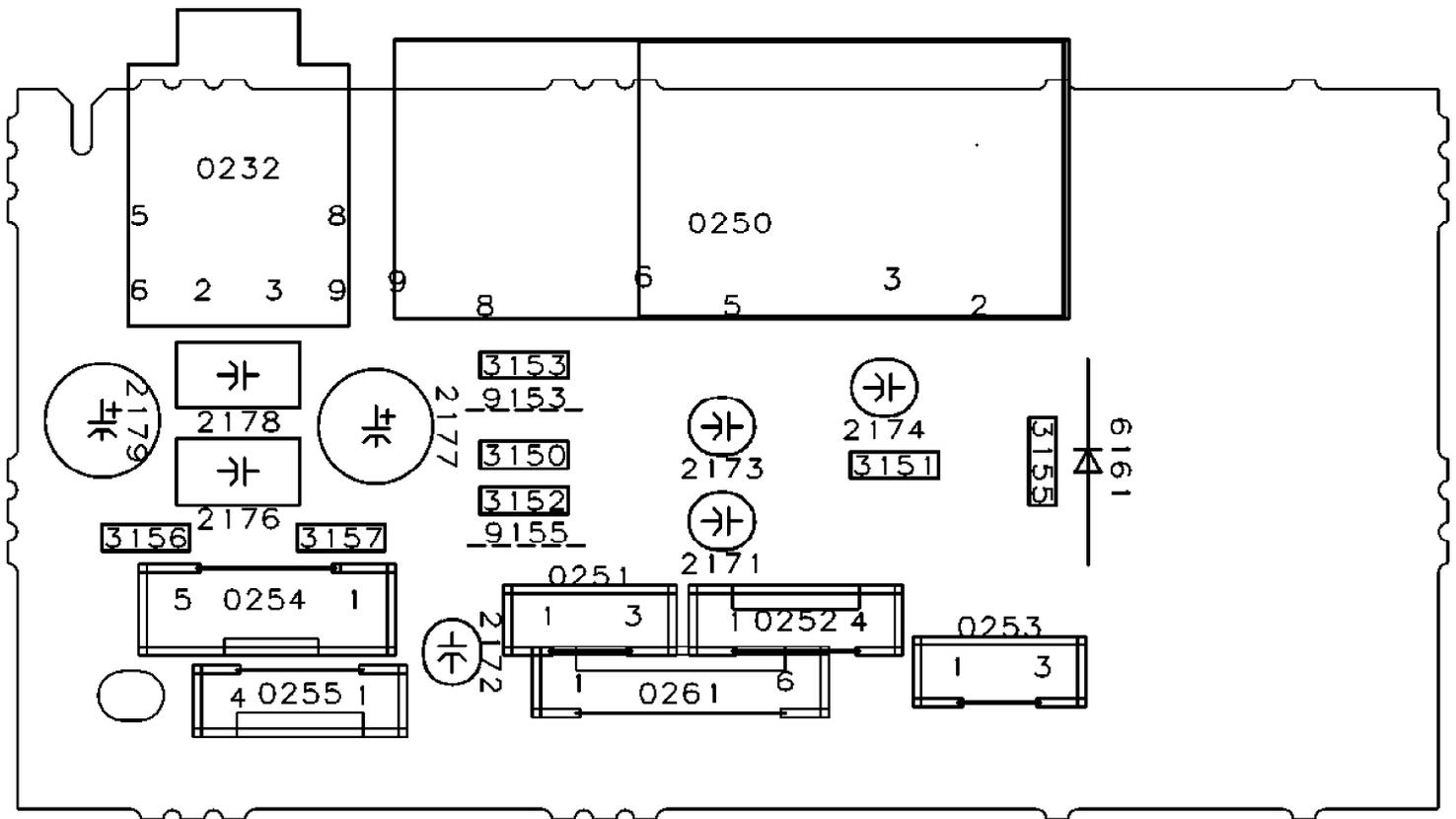


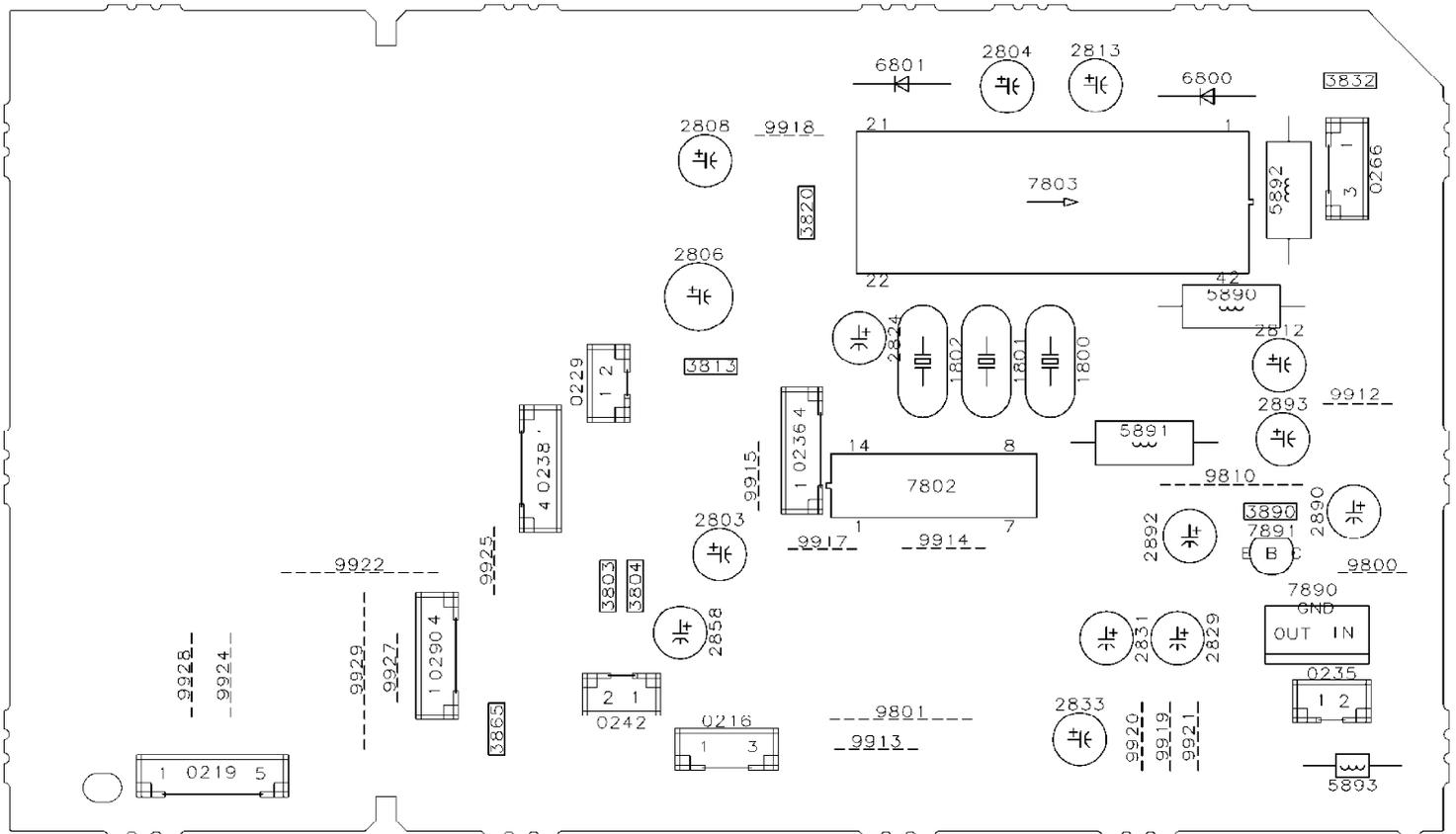


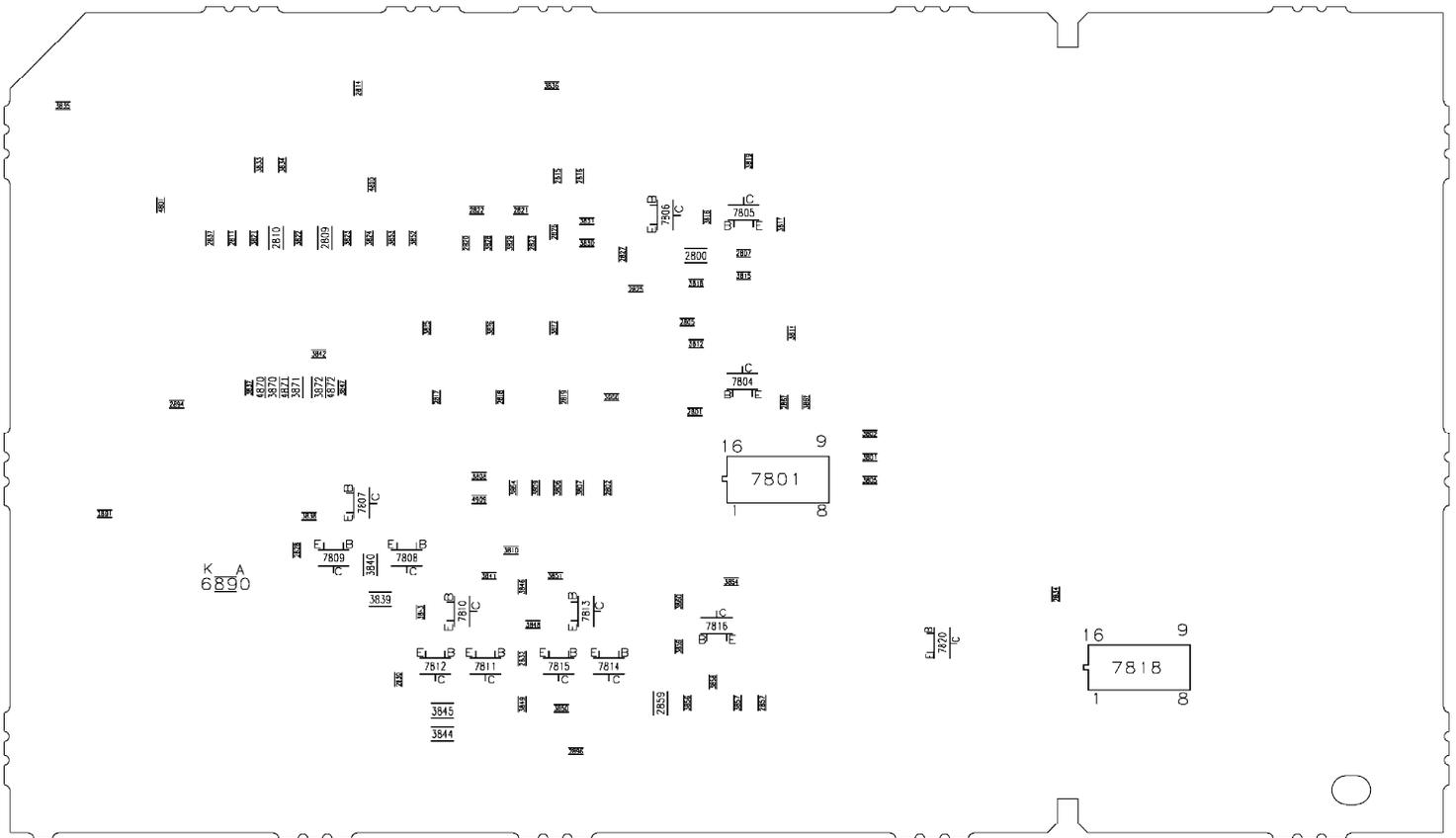


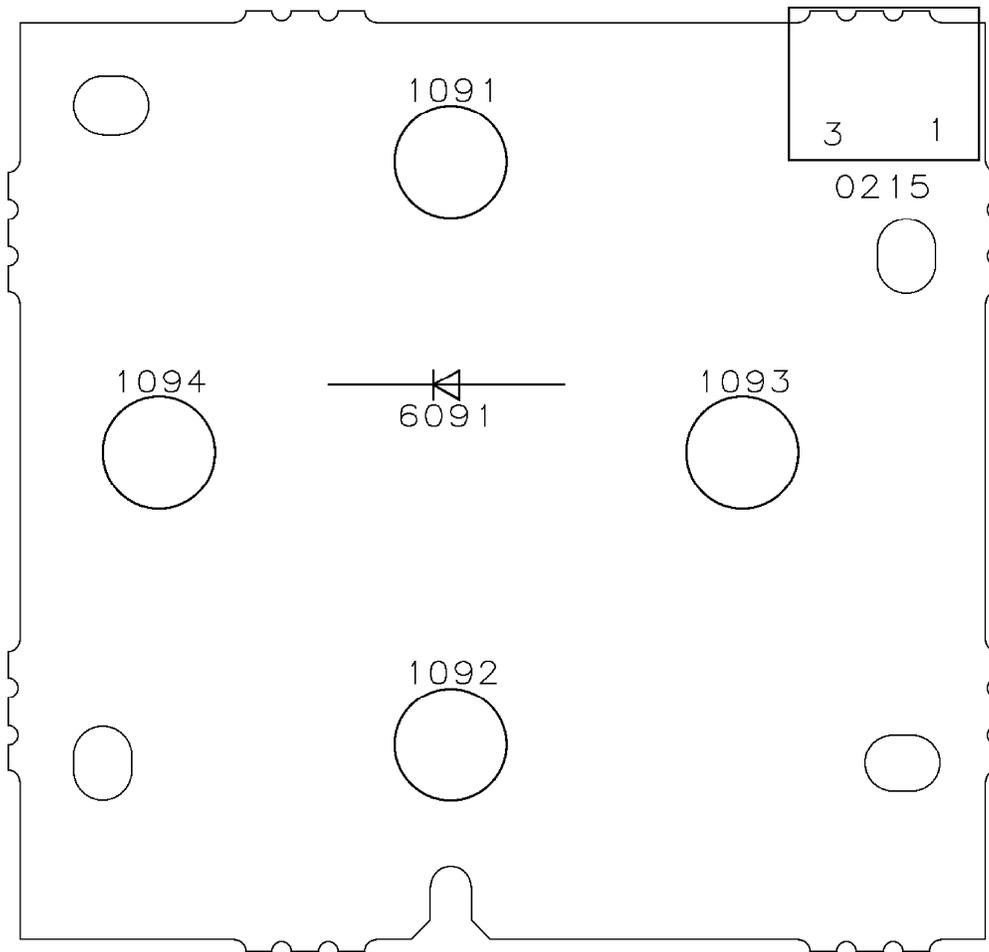


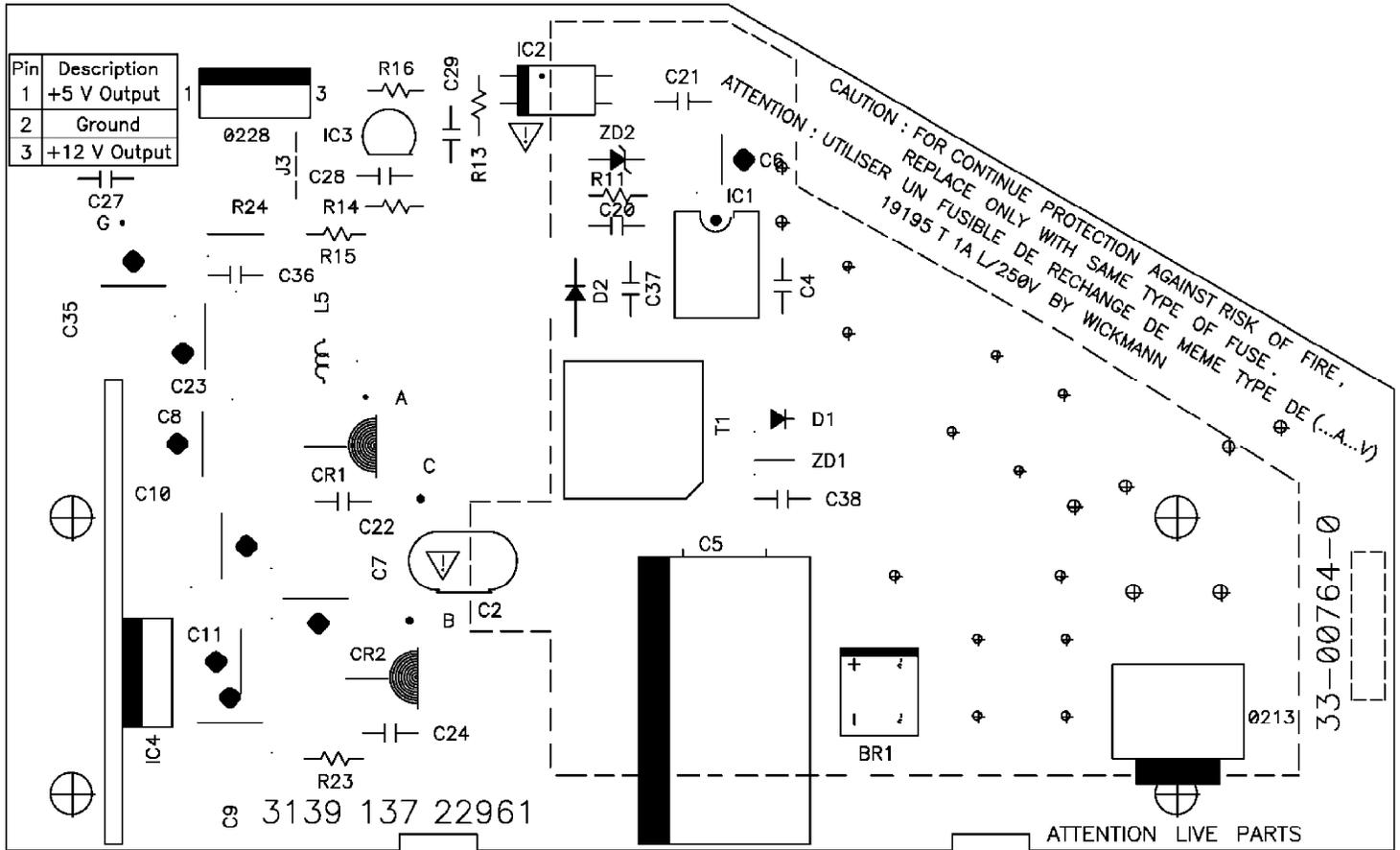


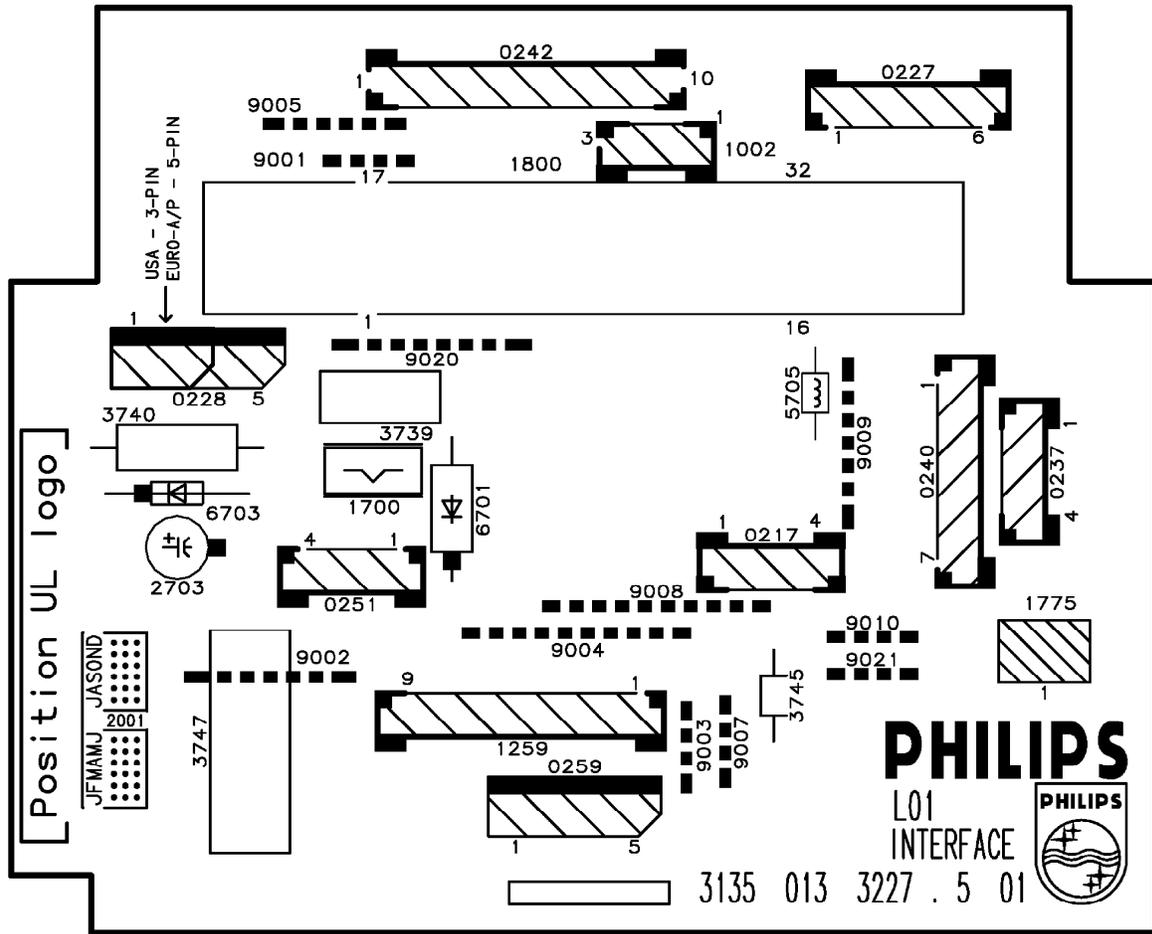


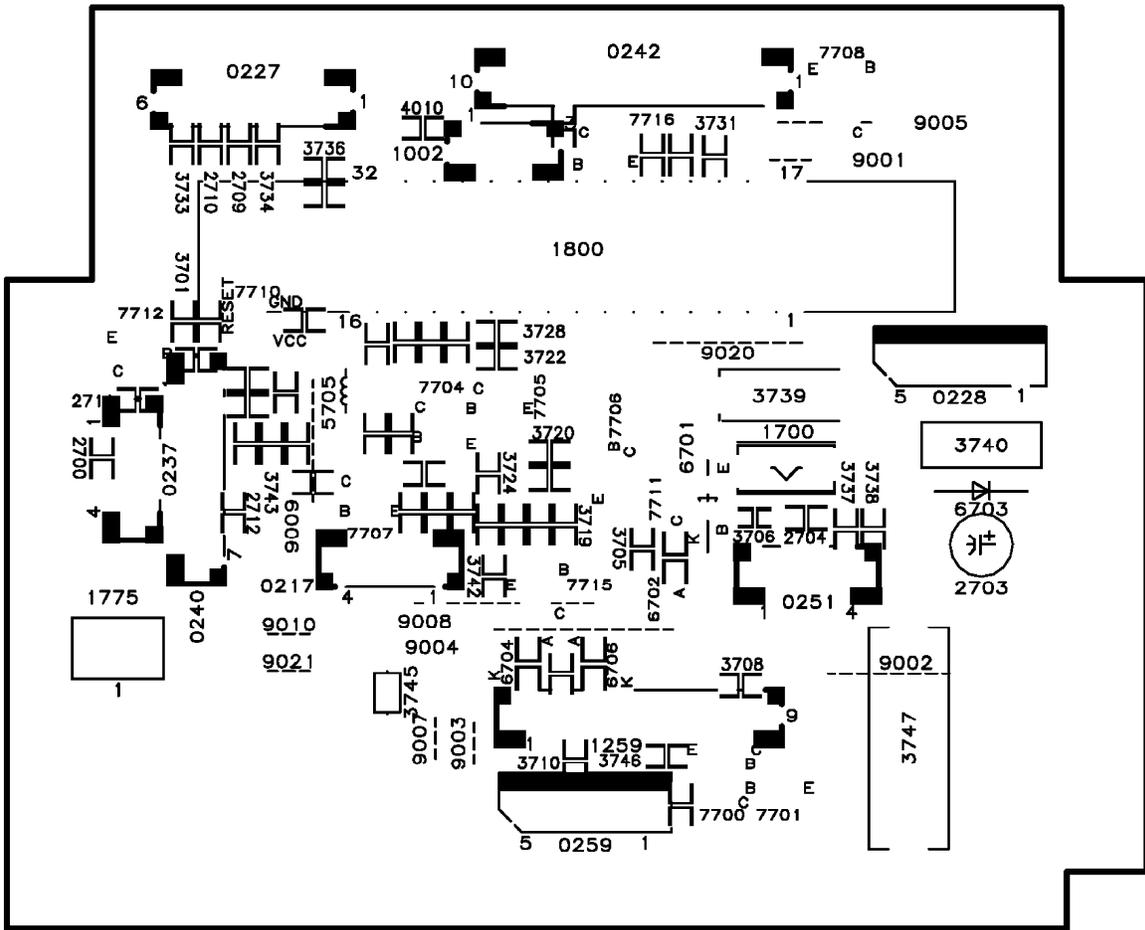






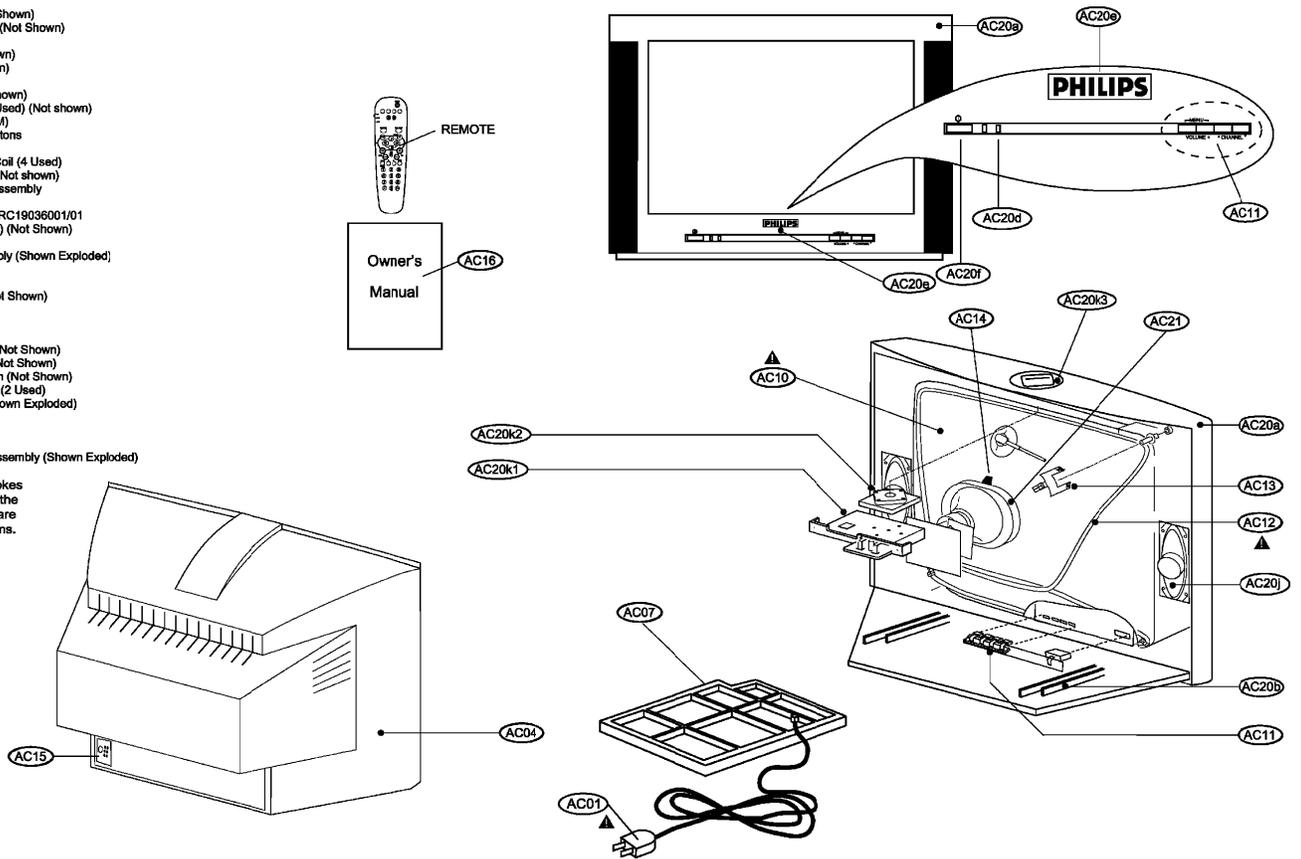






TYPICAL TABLE MODEL EXPLODED VIEW

- AC01 AC Cord
 - AC02 AC Cord Relief (Not Shown)
 - AC03 Battery, 1.5V, 2PACK (Not Shown)
 - AC04 Cabinet Back
 - AC05 Card Cover (Not Shown)
 - AC06 Card Door (Not Shown)
 - AC07 Chassis Tray
 - AC08 Clip, AC Cord (Not Shown)
 - AC09 Clip, Anode Lead (3 Used) (Not shown)
 - AC10 CRT, A48JLL40X46(M)
 - AC11 Customer Control Buttons
 - AC12 Degaussing Coil
 - AC13 Holder, Degaussing Coil (4 Used)
 - AC14 Housing, Smart Port (Not shown)
 - AC15 Jack Panel Bracket Assembly
 - AC16 Owner's Manual
 - REMOTE Remote Transmitter, RC19036001/01
 - AC18 Spacer, (EHT CABLE) (Not Shown)
 - AC19 Yoke Wedge
 - AC20 Cabinet Front Assembly (Shown Exploded)
 - AC20a Cabinet Front
 - AC20b Chassis Guide
 - AC20c Jack Panel Cover (Not Shown)
 - AC20d Light Guide
 - AC20e Nameplate
 - AC20f Power Button
 - AC20g Power Button Cover (Not Shown)
 - AC20h Power Button Shaft (Not Shown)
 - AC20i Bracket, Power Button (Not Shown)
 - AC20j Speaker, 16ohm, 5W (2 Used)
 - AC20k Top Control Panel (Shown Exploded)
 - AC20k1 Top Control Bracket
 - AC20k2 Top Control Button
 - AC20k3 Top Control Cover
 - AC20k4 Top Control Button Assembly (Shown Exploded)
 - AC21 Deflection Yoke
- Some Deflection Yokes are integrated with the Picture Tubes and are not replaceable items.



20RF40S325 - Manual no. 7629

Cabinet & Accessory Parts

Cabinet & Accessory Parts			
S AC01	AC Cord	3135 010 03831	
AC03	Battery, 1.5V, 2-PACK	9299 000 65263	
AC04	Cabinet Back	3139 124 40812	
AC09	Clip, Anode Lead	3135 014 04471	
S AC10	CRT, A51QDX992X001	9322 182 96682	
AC11	Customer Control Buttons	3139 138 13911	
S AC12	Degaussing Coil	3139 128 23841	
AC13	Holder, Degaussing Coil (2 Used)	3135 013 01651	
AC16	Owner's Manual	3121 235 20411	
REMOTE	Remote Transmitter, RC19333001/01	3139 228 60411	
AC20	Cabinet Front Assembly f/20RF40S325	3121 237 52761	2473
AC20a	Cabinet Front	3139 138 13761	
AC20b	Chassis Guide	3139 124 37561	2474
AC20d	Light Guide	3139 124 41241	2475
AC20e	Nameplate	3139 120 10371	2476
AC20f	Power Button	3139 138 13871	2480
AC20j	Speaker, Full Range, 8ohm, 5W (2 Used)	2422 264 00409	2481
S AC21	Deflection Yoke, ITC (Supplied with CRT)	000-__--__--	2482

Main Chassis Assembly Parts

Main Chassis Assembly Parts			
0127	Socket Fuse	2422 088 00271	
S 0211	Connector, 2 Pin	2422 025 16269	
S 0212	Connector, 2 Pin	2422 025 16375	
0218	Connector, 2 Pin	2422 026 04637	
0220	Connector, 5 Pin	2422 025 04853	
S 0221	Connector, 4 Pin	2422 025 15503	
S 0222	Connector, 2 Pin	2422 025 10646	
0232	Connector, 1 Pin	2422 026 04747	
0243	Connector, 6 Pin	2422 025 04854	
0267	Connector, 3 Pin	2412 020 00725	
0280	Connector, 3 Pin	2412 020 00725	
0280	Connector, 3 Pin	2422 025 16382	
1000	Tuner, V+U PLL	2422 542 90108	
1002	SAW Filter, 45.5 MHz, F072TPL-A L	2422 549 44327	
1200	Filter, Ceramic, 4MHz5	2422 549 40807	
S 1500	Fuse, 4A, 250V, IEC	2422 086 10914	
S 1515	Relay, 1P, 12V	2422 132 07467	
1600	Tact Switch	2422 128 02742	
1601	Tact Switch	2422 128 02742	
1602	Tact Switch	2422 128 02742	
1603	Tact Switch	2422 128 02742	
1606	Tact Switch	2422 128 02742	
1660	Crystal Resonator, 12 MHz, 20P, HC49/U A	2422 543 01203	
2004	Cap, 47n, 10%, 16v, Ceramic	3198 017 34730	
2005	Cap, 10u, 20%, 50v, Electrolytic	3198 025 51090	
2006	Cap, 470u, 20%, 16v, Electrolytic	3198 025 24710	
2007	Cap, 100n, +80/-20%, 25v, Ceramic	3198 023 41040	
2008	Cap, 100u, 20%, 25v, Electrolytic	3198 025 31010	
2009	Cap, 22n, 10%, 25v, Ceramic	3198 017 32230	
2181	Cap, 22p, 5%, 50v, Ceramic	3198 016 02290	
2182	Cap, 330p, 10%, 50v, Ceramic	3198 017 33310	
2184	Cap, 2u2, +80/-20%, 10v, Ceramic	3198 017 22250	
2202	Cap, 100n, +80/-20%, 25v, Ceramic	3198 023 21040	
2203	Cap, 100n, +80/-20%, 25v, Ceramic	3198 023 41040	
2204	Cap, 100n, +80/-20%, 25v, Ceramic	3198 023 41040	
2205	Cap, 220n, +80/-20%, 25v, Ceramic	3198 023 22240	
2208	Cap, 100n, +80/-20%, 25v, Ceramic	3198 023 41040	
2209	Cap, 10u, 20%, 50v, Electrolytic	3198 025 51090	
2210	Cap, 220n, +80/-20%, 25v, Ceramic	3198 023 22240	
2211	Cap, 470u, +80/-20%, 10v, Ceramic	3198 017 44740	
2216	Cap, 1000u, 20%, 16v, Electrolytic	3198 026 21020	
2217	Cap, 22n, 10%, 25v, Ceramic	3198 017 32230	
2219	Cap, 220n, +80/-20%, 25v, Ceramic	3198 023 22240	
2226	Cap, 4n7, 10%, 50v, Ceramic	3198 017 34720	
2227	Cap, 4n7, 10%, 50v, Ceramic	3198 017 34720	
2228	Cap, 820p, 5%, 25v, Ceramic	3198 016 38210	
2229	Cap, 10u, 20%, 50v, Electrolytic	3198 025 51090	
2241	Cap, 1n5, 10%, 50v, Ceramic	3198 017 31520	
2242	Cap, 1u, +80/-20%, 10v, Ceramic	3198 017 41050	
2243	Cap, 10n, 10%, 50v, Ceramic	3198 017 01030	
2244	Cap, 100n, 10%, 63v, Metallized Polyester	2222 370 75104	
2245	Cap, 220n, +80/-20%, 16v, Ceramic	3198 023 22240	
2246	Cap, 4u7, 20%, 50v, Electrolytic	3198 025 54780	
2247	Cap, 1000u, 20%, 16v, Electrolytic	3198 026 21020	
2248	Cap, 22n, 10%, 50v, Ceramic	3198 017 02230	
2249	Cap, 22n, 10%, 25v, Ceramic	3198 017 32230	
2250	Cap, 2u2, 20%, 50v, Electrolytic	3198 025 52280	
2252	Cap, 1n, 5%, 25v, Ceramic	3198 016 31020	
2253	Cap, 1n, 5%, 25v, Ceramic	3198 016 31020	
2254	Res, Zero ohm, Chip Jumper	3198 021 90020	
2405	Cap, 220u, 20%, 16v, Electrolytic	3198 025 22210	
2441	Cap, 1u, 20%, 50v, Electrolytic	3198 025 51080	
2443	Cap, 47n, +80/-20%, 50v, Ceramic	3198 017 24730	
2444	Cap, 1u, 20%, 50v, Electrolytic	3198 025 51080	
2450	Cap, 47u, 20%, 160v, Electrolytic	2020 021 91139	
2452	Cap, 180p, 5%, 50v, Ceramic	3198 016 01810	

Cap, 47u, 20%, 25v, Electrolytic	3198 025 34790
Cap, 270n, 5%, 250v, Polypropylene	2222 479 90016
Cap, 2u2, 20%, 100v, Electrolytic	2020 021 91331
Cap, 680p, 10%, 500v, Ceramic	3198 019 46810
Cap, 100p, 5%, 50v, Ceramic	3198 016 01010
Cap, 390p, 10%, 2000v, Ceramic	2020 558 90482
Cap, 9n1, 5%, 1600v, Polypropylene	2222 375 90153
Cap, 15n, 10%, 400v, Polyester	2222 347 90219
Cap, 33n, 10%, 400v, Polyester	2222 347 90227
Cap, 100n, 10%, 50v, Polyester	3198 014 01040
Cap, 10n, 10%, 100v, Metallized Polyester	2222 365 85103
Cap, 100n, 10%, 63v, Metallized Polyester	2222 365 75104
Cap, 2n2, 10%, 50v, Ceramic	3198 017 02220
Cap, 2n2, 10%, 50v, Ceramic	3198 017 02220
Cap, 4n7, 10%, 50v, Ceramic	3198 017 04720
Cap, 47u, 20%, 25v, Electrolytic	2020 021 90586
Cap, 470p, 10%, 500v, Ceramic	3198 019 44710
Cap, 33n, 10%, 250v, Polyester	2222 347 90213
Cap, 4u7, 20%, 250v, Electrolytic	2020 021 90856
Cap, 470u, 20%, 16v, Electrolytic	2020 021 91577
Cap, 47u, 20%, 50v, Electrolytic	2020 021 90854
Cap, 1000u, 20%, 16v, Electrolytic	2020 021 91049
Cap, 470u, 20%, 16v, Electrolytic	2020 021 91577
Cap, 1n, 10%, 500v, Ceramic	3198 019 41020
Cap, 470n, 20%, 275v, Metallized Polypropylene	2222 336 29148
Cap, 2n2, 10%, 1000v, Ceramic	3198 019 52220
Cap, 2n2, 10%, 1000v, Ceramic	3198 019 52220
Cap, 220u, 20%, 200v, Electrolytic	2020 024 90585
Cap, 2n2, 10%, 1000v, Ceramic	3198 019 52220
Cap, 470p, 10%, 50v, Ceramic	3198 017 04710
Cap, 470p, 10%, 1000v, Ceramic	3198 019 64710
Cap, 1n5, 20%, v, Ceramic	2020 554 90128
Cap, 10n, 10%, 50v, Ceramic	3198 017 01030
Cap, 22u, 20%, 50v, Electrolytic	3198 025 52290
Cap, 100n, 10%, 16v, Ceramic	3198 017 01040
Cap, 1n5, 10%, 2000v, Ceramic	2020 558 90489
Cap, 470p, 10%, 50v, Ceramic	3198 017 04710
Cap, 470n, +80/-20%, 16v, Ceramic	3198 017 24740
Cap, 2n2, 10%, 50v, Ceramic	3198 017 02220
Cap, 1n, 10%, 50v, Ceramic	3198 017 01020
Cap, 10n, 10%, 50v, Ceramic	3198 017 01030
Cap, 10n, 10%, 50v, Ceramic	3198 017 01030
Cap, 680p, 10%, 1000v, Ceramic	2020 558 90472
Cap, 47u, 20%, 160v, Electrolytic	2020 021 91358
Cap, 1n, 10%, 50v, Ceramic	3198 019 11020
Cap, 100n, 10%, 50v, Polyester	3198 014 01040
Cap, 2u2, 20%, 25v, Electrolytic	2020 021 91353
Cap, 470u, 20%, 6.3v, Electrolytic	3198 025 04710
Cap, 47u, 20%, 25v, Electrolytic	3198 025 34790
Cap, 1u, 20%, 50v, Electrolytic	3198 025 51080
Cap, 47u, 20%, 16v, Electrolytic	3198 028 24790
Cap, 22u, 20%, 50v, Electrolytic	3198 025 52290
Cap, 220n, +80/-20%, 25v, Ceramic	3198 023 22240
Cap, 100p, 5%, 50v, Ceramic	3198 016 01010
Cap, 470n, +80/-20%, 16v, Ceramic	3198 017 24740
Cap, 33p, 5%, 50v, Ceramic	3198 016 33390
Cap, 1u, +80/-20%, 10v, Ceramic	3198 017 41050
Cap, 33p, 5%, 50v, Ceramic	3198 016 33390
Cap, 1u, +80/-20%, 10v, Ceramic	3198 017 41050
Cap, 68p, 5%, 50v, Ceramic	3198 016 06890
Cap, 68p, 5%, 50v, Ceramic	3198 016 06890
Cap, 1n, 10%, 50v, Ceramic	3198 017 01020
Cap, 1u, +80/-20%, 10v, Ceramic	3198 017 41050
Cap, 1u, +80/-20%, 16v, Ceramic	3198 017 21050
Cap, 10u, 20%, 50v, Electrolytic	3198 025 51090
Cap, 220u, 20%, 50v, Electrolytic	3198 026 52210
Cap, 1u, 20%, 50v, Electrolytic	3198 025 51080
Cap, 470n, +80/-20%, 16v, Ceramic	3198 017 24740
Cap, 1n, 10%, 50v, Ceramic	3198 017 31020
Cap, 10u, 20%, 50v, Electrolytic	3198 025 51090
Cap, 330p, 5%, 50v, Ceramic	3198 016 33310
Cap, 10u, 20%, 50v, Electrolytic	3198 025 51090
Cap, 470p, 5%, 50v, Ceramic	3198 016 34710
Cap, 10u, 20%, 50v, Electrolytic	3198 025 51090
Cap, 470p, 5%, 50v, Ceramic	3198 016 34710
Res, 100 ohm, 5%, 1/6W, Carbon Film	3198 011 01010
Res, 100 ohm, 5%, 1/6W, Carbon Film	3198 011 01010
Res, Zero ohm, 'Chip' Jumper	3198 021 90030
Res, 1K5, 5%, 1/16W, Metallized Glass	3198 021 31520
Res, 8K2, 5%, 1/16W, Metallized Glass	3198 021 38220
Res, 100 ohm, 5%, 1/6W, Carbon Film	3198 011 01010
Res, 75 ohm, 5%, 1/6W, Carbon Film	3198 011 07590
Res, 100 ohm, 5%, 1/6W, Carbon Film	3198 011 01010
Res, 150 ohm, 5%, 1/6W, Carbon Film	3198 011 01510
Res, 47K, 5%, 1/16W, Metallized Glass	3198 021 34730
Res, 390 ohm, 5%, 1/6W, Carbon Film	3198 011 03910
Res, 100 ohm, 5%, 1/6W, Carbon Film	3198 011 01010
Res, 100 ohm, 5%, 1/6W, Carbon Film	3198 011 01010

S = Safety Part Be sure to use exact replacement part.

20RF40S325 (continued)

3204	Res, 22K, 5%, 1/6W, Carbon Film. . .	3198 011 02230	3529	Res, 47K, 5%, 1/10W, Metallized Glass	3198 021 54730
3206	Res, 33K, 5%, 1/10W, Metallized Glass	3198 021 53330	3530	Res, 10k, 5%, Carbon	3198 021 51030
3207	Res, 1K, 5%, 1/6W, Carbon Film . . .	3198 011 01020	3531	Res, 4K7, 5%, 1/10W, Metallized Glass	3198 021 54720
3208	Res, 220 ohm, 5%, 1/16W, Metallized Glass	3198 021 32210	S 3532	Res, 2K2, 5%, 1/3W, Metal Film . . .	2306 204 03222
3209	Res, 68 ohm, 5%, 1/16W, Metallized Glass	3198 021 36890	3541	Res, 470 ohm, 5%, 1/10W, Metallized Glass	3198 021 54710
3212	Res, 470 ohm, 5%, 1/16W, Metallized Glass	3198 021 34710	3542	Res, 1K5, 5%, 1/10W, Metallized Glass	3198 021 51520
3213	Res, 560 ohm, 5%, 1/6W, Carbon Film.	3198 011 05610	3543	Res, 82K, 1%, 3/5W, Metal Film . . .	2312 915 18203
3217	Res, 330K, 5%, 1/16W, Metallized Glass	3198 021 33340	3544	Res, 4K7, 1%, 1/8W, Metallized Glass	2322 734 64702
3218	Res, 8K2, 5%, 1/16W, Metallized Glass	3198 021 38220	3545	Res, 270K, 5%, 1/8W, Metallized Glass	2322 730 61274
3219	Res, 2K2, 5%, 1/16W, Metallized Glass	3198 021 32220	3548	Res, 15K, 5%, 1/10W, Metallized Glass	3198 021 51530
3226	Res, 560 ohm, 5%, 1/16W, Metallized Glass	3198 021 35610	3552	Res, 10k, 5%, Carbon	3198 021 51030
3232	Res, 2K2, 5%, 1/16W, Metallized Glass	3198 021 32220	3557	Res, 1k, 5%, Carbon.	3198 021 51020
3235	Res, 100 ohm, 5%, 1/6W, Carbon Film.	3198 011 01010	3560	Res, 47 ohm, 5%, 1/6W, Carbon Film .	3198 011 04790
3241	Res, 22K, 5%, 1/16W, Metallized Glass	3198 021 32230	3561	Res, 100 ohm, 5%, 1/6W, Carbon Film.	3198 011 01010
3242	Res, 12K, 5%, 1/10W, Metallized Glass	3198 021 51230	3562	Res, 12K, 5%, 1/10W, Metallized Glass	3198 021 51230
3244	Res, 820 ohm, 5%, 1/6W, Carbon Film.	3198 011 08210	3563	Res, 8K2, 5%, 1/10W, Metallized Glass	3198 021 58220
3245	Res, 39K, 5%, 1/10W, Metallized Glass	3198 021 53930	3564	Res, 0R1, 5%, 1 1/3W, Metal Film . .	3198 012 21070
3246	Res, 10k, 5%, Carbon	3198 021 51030	3565	Res, 330 ohm, 5%, 1W, Metal Film . .	3198 012 13310
3247	Res, 270K, 5%, 1/10W, Metallized Glass	2120 108 91725	3566	Res, 2K2, 5%, 1/10W, Metallized Glass	3198 021 52220
3248	Res, 33K, 5%, 1/10W, Metallized Glass	3198 021 53330	3567	Res, 3K3, 5%, 1/16W, Metallized Glass	3198 021 33320
3249	Res, 820 ohm, 5%, 1/6W, Carbon Film.	3198 011 08210	3568	Res, 8K2, 5%, 1/10W, Metallized Glass	3198 021 58220
3251	Res, 100 ohm, 5%, 1/6W, Carbon Film.	3198 011 01010	3569	Res, 5K6, 5%, 1/10W, Metallized Glass	3198 021 55620
3256	Res, 1k, 5%, Carbon.	3198 021 51020	3580	Res, 47K, 5%, 1/10W, Metallized Glass	3198 021 54730
3257	Res, 10M, 5%, 1/10W, Metallized Glass	3198 021 51060	3594	Res, 220 ohm, 5%, Carbon	3198 021 52210
3258	Res, 330K, 5%, 1/10W, Metallized Glass	3198 021 53340	3595	Res, 220K, 5%, 1/10W, Metallized Glass	3198 021 52240
3259	Res, 470K, 5%, 1/10W, Metallized Glass	3198 021 54740	3596	Res, 220K, 5%, 1/10W, Metallized Glass	3198 021 52240
3441	Res, 100 ohm, 5%, 1/10W, Metallized Glass	3198 021 51010	3603	Res, 100 ohm, 5%, 1/6W, Carbon Film.	3198 011 01010
3442	Res, Zero ohm, Chip Jumper	3198 021 90020	3604	Res, 100 ohm, 5%, 1/6W, Carbon Film.	3198 011 01010
3443	Res, 1M, 5%, 1/10W, Metallized Glass	3198 021 51050	3606	Res, 2K2, 5%, 1/6W, Carbon Film. . .	3198 011 02220
3445	Res, 15K, 5%, 1/6W, Carbon Film. . .	3198 011 01530	3607	Res, 2K2, 5%, 1/6W, Carbon Film. . .	3198 011 02220
3446	Res, 5K6, 5%, 1/6W, Carbon Film. . .	3198 011 05620	3608	Res, 100 ohm, 5%, 1/6W, Carbon Film.	3198 011 01010
3447	Res, 180 ohm, 5%, 1/6W, Carbon Film.	3198 011 01810	3611	Res, 100 ohm, 5%, 1/16W, Metallized Glass	3198 021 31010
3448	Res, 820 ohm, 5%, 1/6W, Carbon Film.	3198 011 08210	3618	Res, 6K8, 5%, 1/6W, Carbon Film. . .	3198 011 06820
3449	Res, 68 ohm, 5%, 1/6W, Carbon Film .	3198 011 06890	3622	Res, Zero ohm, Chip Jumper	3198 021 90020
3450	Res, 33 ohm, 5%, 1/6W, Carbon Film .	3198 011 03390	3623	Res, 4K7, 5%, 1/16W, Metallized Glass	3198 021 34720
S 3451	Res, 10 ohm, 5%, 1/3W, Metal Film. . .	2306 204 03109	3624	Res, 100 ohm, 5%, 1/6W, Carbon Film.	3198 011 01010
3452	Res, 5K1, 1%, 3/5W, Metal Film . . .	2312 915 15102	3625	Res, 100 ohm, 5%, 1/6W, Carbon Film.	3198 011 01010
3453	Res, 1K, 5%, 1/6W, Carbon Film . . .	3198 011 01020	3626	Res, 4K7, 5%, 1/16W, Metallized Glass	3198 021 34720
3454	Res, 2K, 1%, 3/5W, Metal Film. . . .	2312 915 12002	3627	Res, 4K7, 5%, 1/16W, Metallized Glass	3198 021 34720
3455	Res, 6R8, 5%, 1 1/3W, Metal Film . .	3198 012 26880	3628	Res, 10K, 5%, 1/16W, Metallized Glass	3198 021 31030
3456	Res, Zero ohm, Chip Jumper	3198 021 90020	3630	Res, 470 ohm, 1%, 1/10W, Metallized Glass	2120 108 92612
3457	Res, Zero ohm, Chip Jumper	3198 021 90020	3632	Res, Zero ohm, Chip Jumper	3198 021 90020
3458	Res, 1K, 5%, 1/6W, Carbon Film . . .	3198 011 01020	3636	Res, 100 ohm, 5%, 1/10W, Metallized Glass	3198 021 51010
3459	Res, 15K, 5%, 1 1/3W, Metal Film . .	3198 012 21530	3637	Res, 75 ohm, 5%, 1/16W, Metallized Glass	3198 021 37590
3460	Res, 3K9, 5%, 1/6W, Carbon Film. . .	3198 011 03920	3637	Res, 75 ohm, 5%, 1/10W, Metallized Glass	3198 021 57590
3463	Res, 33 ohm, 5%, 1/6W, Carbon Film .	3198 011 03390	3639	Res, Zero ohm, Chip Jumper	3198 021 90020
3465	Res, 27K, 1%, 3/5W, Metal Film . . .	2312 915 12703	3681	Res, 180 ohm, 1%, 1/10W, Metallized Glass	2120 108 92606
3469	Res, 3K3, 5%, 1/6W, Carbon Film. . .	3198 011 03320	3682	Res, 270 ohm, 1%, 1/10W, Metallized Glass	2120 108 92608
3470	Res, 270K, 5%, 1/8W, Metallized Glass	2322 730 61274	3683	Res, 390 ohm, 1%, 1/10W, Metallized Glass	2120 108 92611
3471	Res, 6R8, 1%, 3/5W, Metal Film . . .	2312 915 16808	3684	Res, 390 ohm, 1%, 1/10W, Metallized Glass	2120 108 92611
3472	Res, 6R8, 1%, 3/5W, Metal Film . . .	2312 915 16808	3686	Res, Zero ohm, Chip Jumper	3198 021 90020
3473	Res, 3R9, 1%, 3/5W, Metal Film . . .	2312 915 13908	3687	Res, 75 ohm, 1%, 1/10W, Metallized Glass	2120 108 91437
3474	Res, 2K2, 1%, 3/5W, Metal Film . . .	2312 915 12202	3688	Res, 68 ohm, 1%, 1/10W, Metallized Glass	2120 108 92603
3475	Res, 2K2, 1%, 3/5W, Metal Film . . .	2312 915 12202	3689	Res, 2K7, 1%, 1/10W, Metallized Glass	2120 108 92621
3477	Res, 150 ohm, 5%, 1/6W, Carbon Film.	3198 011 01510	3691	Res, 330 ohm, 5%, 1/16W, Metallized Glass	3198 021 33310
3478	Res, 150 ohm, 5%, 1/6W, Carbon Film.	3198 011 01510	3693	Res, 220 ohm, 5%, 1/16W, Metallized Glass	3198 021 32210
3479	Res, 2K7, 5%, 1/10W, Metallized Glass	3198 021 52720	3694	Res, 4K7, 5%, 1/16W, Metallized Glass	3198 021 34720
3481	Res, 18K, 1%, 3/5W, Metal Film . . .	2312 915 11803	3901	Res, 1K, 5%, 1/16W, Metallized Glass	3198 021 31020
3482	Res, 12k, 1%, Metal Film	2312 915 11203	3902	Res, 3K3, 5%, 1/16W, Metallized Glass	3198 021 33320
3484	Res, 3K9, 5%, 1/6W, Carbon Film. . .	3198 011 03920	3903	Res, 18K, 5%, 1/16W, Metallized Glass	3198 021 31830
3488	Res, 4R7, 5%, 1/2W, Metal Film . . .	2306 207 03478	3904	Res, 10K, 5%, 1/16W, Metallized Glass	3198 021 31030
3490	Res, 8K2, 5%, 1/6W, Carbon Film. . .	3198 011 08220	3907	Res, 8K2, 5%, 1/16W, Metallized Glass	3198 021 38220
3491	Res, 10k, 5%, Carbon	3198 021 51030	3981	Res, 120 ohm, 5%, 1/6W, Carbon Film.	3198 011 01210
3492	Res, 820 ohm, 5%, 1/10W, Metallized Glass	3198 021 58210	3982	Res, 120 ohm, 5%, 1/6W, Carbon Film.	3198 011 01210
3493	Res, 6R8, 5%, 1/3W, Metal Film . . .	2306 204 03688	4001	Res, Zero ohm, 'Chip' Jumper	3198 021 90030
3494	Res, 4R7, 5%, 1/2W, Metal Film . . .	2306 207 03478	4002	Res, Zero ohm, 'Chip' Jumper	3198 021 90030
3495	Res, 22k, 5%, Carbon	3198 021 52230	4181	Res, Zero ohm, 'Chip' Jumper	3198 021 90030
3496	Res, 100K, 5%, 1/10W, Metallized Glass	3198 021 51040	4212	Res, Zero ohm, Chip Jumper	3198 021 90020
3497	Res, 100K, 5%, 1/10W, Metallized Glass	3198 021 51040	4216	Res, Zero ohm, 'Chip' Jumper	3198 021 90030
3498	Res, 12K, 5%, 1/10W, Metallized Glass	3198 021 51230	4217	Res, Zero ohm, 'Chip' Jumper	3198 021 90030
S 3500	Res, 3M3, 5%, 1/2W, Metallized Glass	2322 242 13335	4470	Res, Zero ohm, Chip Jumper	3198 021 90020
S 3501	Res, 3M3, 5%, 1/2W, Metallized Glass	2322 242 13335	4601	Res, Zero ohm, Chip Jumper	3198 021 90020
3504	Res, 3 ohm, +30%/-20%, 144v, PTC, Carbon Film	2122 663 00019	4613	Res, Zero ohm, Chip Jumper	3198 021 90020
S 3506	Res, 1M5, 5%, 1/2W, Metallized Glass	2322 242 13155	4614	Res, Zero ohm, 'Chip' Jumper	3198 021 90030
S 3507	Surge Protector, DSP-301N-A21F A. .	2422 549 43073	4615	Res, Zero ohm, 'Chip' Jumper	3198 021 90030
S 3508	Res, 220 ohm, 20%, 1/2W, Carbon Film	3198 013 02210	4617	Res, Zero ohm, Chip Jumper	3198 021 90020
3519	Res, 270 ohm, 5%, 1/6W, Carbon Film.	3198 011 02710	4619	Res, Zero ohm, Chip Jumper	3198 021 90020
3520	Res, 1K2, 5%, 1/10W, Metallized Glass	3198 021 51220	4622	Res, Zero ohm, Chip Jumper	3198 021 90020
3521	Res, 4R7, 5%, 1/6W, Carbon Film. . .	3198 011 04780			
3522	Res, 330K, 5%, 1/10W, Metallized Glass	3198 021 53340			
S 3523	Res, 100 ohm, 5%, 1/3W, Metal Film . .	2306 204 03101			
3524	Res, 56K, 5%, 1/10W, Metallized Glass	3198 021 55630			
3525	Res, 1k, 5%, Carbon.	3198 021 51020			
3526	Res, 0R15, 5%, 3/5W, Metal Film. . .	3198 012 11570			
3528	Res, 10 ohm, 5%, 1/10W, Metallized Glass	3198 021 51090			

S = Safety Part Be sure to use exact replacement part.

20RF40S325 (continued)

4623	Res, Zero ohm, Chip Jumper	3198	021	90020	7461	Transistor, NPN, BC337-25.	3198	020	43530
4625	Res, Zero ohm, Chip Jumper	3198	021	90020	7462	Transistor, NPN, PDTCl43ZT	9340	547	00215
4691	Res, Zero ohm, Chip Jumper	3198	021	90020	7463	Transistor, PNP, BC327-25.	3198	020	43430
4692	Res, Zero ohm, Chip Jumper	3198	021	90020	7471	IC, TDA8359J/N2.	9352	701	64112
4693	Res, Zero ohm, Chip Jumper	3198	021	90020	7480	Transistor, NPN, BD135	3198	020	41010
4803	Res, Zero ohm, Chip Jumper	3198	021	90020	7482	Transistor, NPN, BD135	3198	020	41010
4807	Res, Zero ohm, Chip Jumper	3198	021	90020	S 7515	Optical Coupler, TCET1104(G)	9322	175	72667
4901	Res, Zero ohm, 'Chip' Jumper	3198	021	90030	7520	IC, TEA1507P/N1.	9352	673	56112
4903	Res, Zero ohm, 'Chip' Jumper	3198	021	90030	7521	FET, Power, 2SK2750.	9322	136	93687
4905	Res, Zero ohm, 'Chip' Jumper	3198	021	90030	7522	Transistor, NPN, BC847B(COL)	3198	010	42030
4982	Res, Zero ohm, Chip Jumper	3198	021	90020	7540	Transistor, NPN, BC547B(COL)	3198	020	40030
5001	Coil, 27u.	3198	018	22790	7541	Transistor, NPN, PDTCl14ET	9340	310	10215
5002	Coil, 820n	3198	018	18270	7542	Transistor, PNP, BC857B(COL)	3198	010	42150
5201	Coil, 6u8.	3198	018	16880	7560	IC, L78L33ACZ.	9322	134	92676
5202	Coil, 10u.	3198	018	21090	7561	Transistor, NPN, PDTCl43ZT	9340	547	00215
5204	Fixed, Inductor, 100MHz, 80 ohm.	3198	018	90020	7562	Transistor, PNP, BC857B(COL)	3198	010	42150
5205	Fixed, Inductor, 100MHz, 80 ohm.	3198	018	90020	7564	Transistor, PNP, BC857B(COL)	3198	010	42150
5206	Wire Jumper, 0.58MM.	3198	036	90010	7580	Transistor, PNP, BC857B(COL)	3198	010	42150
5241	Coil, 10u.	3198	018	21090	7602	IC, M24C08-WBN6.	9322	154	38682
5242	Coil, 10u.	3198	018	11090	7902	IC, AN7523N.	9322	158	66667
S 5445	Transformer, LOT, JF0501-19196 B	2422	531	02519	9001	Wire Jumper, 0.58MM.	3198	036	90010
5452	Fixed, Inductor, 100MHz, 80 ohm.	3198	018	90020	9171	Wire Jumper, 0.58MM.	3198	036	90010
5453	Coil, 22u.	3198	018	12290	9172	Wire Jumper, 0.58MM.	3198	036	90010
5457	Coil, Linear Correction, 82u, PSL12-1 02A B.	2422	536	00425	9173	Wire Jumper, 0.58MM.	3198	036	90010
5461	Transformer, Signal Driver, SC10015-0 0 B.	2422	531	02465	9175	Wire Jumper, 0.58MM.	3198	036	90010
5471	Coil, 3u3.	3198	018	73380	9176	Wire Jumper, 0.58MM.	3198	036	90010
5472	Coil, 3u3.	3198	018	23380	9178	Wire Jumper, 0.58MM.	3198	036	90010
5480	Coil, 18u.	2422	535	97332	9179	Wire Jumper, 0.58MM.	3198	036	90010
S 5501	AC Filter, 22MH 0A9 DMF2422 B.	2422	549	43056	9181	Wire Jumper, 0.58MM.	3198	036	90010
S 5520	Transformer, SMT Layer, SS35107-01 B	2422	531	02536	9182	Wire Jumper, 0.58MM.	3198	036	90010
5521	Fixed, Inductor, 100MHz, 50R.	3198	018	90010	9183	Wire Jumper, 0.58MM.	3198	036	90010
5560	Fixed, Inductor, 100MHz, 50R.	3198	018	90010	9184	Wire Jumper, 0.58MM.	3198	036	90010
5561	Coil, 27u.	3198	018	22790	9192	Wire Jumper, 0.58MM.	3198	036	90010
5562	Fixed, Inductor, 100MHz, 80 ohm.	3198	018	90020	9193	Wire Jumper, 0.58MM.	3198	036	90010
5564	Fixed, Inductor, 100MHz, 50R.	3198	018	90010	9406	Wire Jumper, 0.58MM.	3198	036	90010
5602	Coil, 5u6.	3198	018	15680	9407	Wire Jumper, 0.58MM.	3198	036	90010
5603	Coil, 5u6.	3198	018	15680	9408	Wire Jumper, 0.58MM.	3198	036	90010
5604	Coil, 5u6.	3198	018	15680	9409	Wire Jumper, 0.58MM.	3198	036	90010
6001	Zener Diode, 33 volt	3198	010	23390	9410	Wire Jumper, 0.58MM.	3198	036	90010
6181	Zener Diode, 6.8 volt.	3198	020	56880	9411	Wire Jumper, 0.58MM.	3198	036	90010
6201	Diode, Signal, BAS316.	3198	010	10630	9412	Wire Jumper, 0.58MM.	3198	036	90010
6202	Diode, Signal, BAS316.	3198	010	10630	9413	Wire Jumper, 0.58MM.	3198	036	90010
6206	Zener Diode, 6.8 volt.	3198	020	56880	9415	Wire Jumper, 0.58MM.	3198	036	90010
6445	Zener Diode, 10 volt	3198	020	51090	9416	Wire Jumper, 0.58MM.	3198	036	90010
6447	Diode, Signal, 1N4148.	3198	010	10010	9417	Wire Jumper, 0.58MM.	3198	036	90010
6448	Zener Diode, 6.2 volt.	9331	668	30133	9418	Wire Jumper, 0.58MM.	3198	036	90010
6449	Diode, Signal, BAV99	3198	010	10620	9419	Wire Jumper, 0.58MM.	3198	036	90010
6453	Zener Diode, 5.6 volt.	3198	020	55680	9421	Wire Jumper, 0.58MM.	3198	036	90010
6460	Diode, Rect, BY228/24.	9340	559	50112	9422	Wire Jumper, 0.58MM.	3198	036	90010
6461	Diode, Rect, RGP30J-L7004.	9338	617	60682	9423	Wire Jumper, 0.58MM.	3198	036	90010
6463	Zener Diode, 9.1 volt.	9322	150	08685	9425	Wire Jumper, 0.58MM.	3198	036	90010
6465	Diode, Signal, BAV21	3198	010	10070	9427	Wire Jumper, 0.58MM.	3198	036	90010
6466	Diode, Signal, BAV21	3198	010	10070	9451	Wire Jumper, 0.58MM.	3198	036	90010
6468	Diode, Signal, BAS316.	3198	010	10630	9453	Wire Jumper, 0.58MM.	3198	036	90010
6470	Diode, Signal, BAV99	3198	010	10620	9460	Wire Jumper, 0.58MM.	3198	036	90010
6476	Zener Diode, 15 volt	3198	010	21590	9472	Wire Jumper, 0.58MM.	3198	036	90010
6481	Zener Diode, 5.6 volt.	3198	010	25680	9500	Wire Jumper, 0.58MM.	3198	036	90010
6482	Zener Diode, 9.1 volt.	9331	177	80133	9501	Wire Jumper, 0.58MM.	3198	036	90010
6483	Zener Diode, 33 volt	3198	010	23390	9503	Wire Jumper, 0.58MM.	3198	036	90010
6485	Diode, Rect, BYD33J	9337	234	20133	9504	Wire Jumper, 0.58MM.	3198	036	90010
6486	Diode, Rect, EGP20DL-5100.	9322	164	42682	S 9506	Wire Jumper, 0.58MM.	3198	036	90010
6487	Diode, Rect, BYD33D	9337	234	00133	S 9507	Wire Jumper, 0.58MM.	3198	036	90010
6488	Diode, Rect, EGP20DL-5100.	9322	164	42682	9510	Wire Jumper, 0.58MM.	3198	036	90010
6500	Diode, Bridge Rect, GBU4JL-7002.	9322	132	55667	9511	Wire Jumper, 0.58MM.	3198	036	90010
6520	Diode, Rect, BYD33D	9337	234	00133	9512	Wire Jumper, 0.58MM.	3198	036	90010
6522	Zener Diode, 20 volt	9322	150	13685	9513	Wire Jumper, 0.58MM.	3198	036	90010
6523	Diode, Signal, 1N4148.	3198	010	10010	9515	Wire Jumper, 0.58MM.	3198	036	90010
6524	Diode, Rect, 1N5062	3198	010	10120	9516	Wire Jumper, 0.58MM.	3198	036	90010
6525	Diode, Rect, 1N5062	3198	010	10120	9518	Wire Jumper, 0.58MM.	3198	036	90010
6526	Zener Diode, 22 volt	3198	020	52290	9520	Wire Jumper, 0.58MM.	3198	036	90010
6540	Zener Diode, 6.2 volt.	9331	668	30133	9521	Wire Jumper, 0.58MM.	3198	036	90010
6541	Zener Diode, 9.1 volt.	9322	150	08685	9522	Wire Jumper, 0.58MM.	3198	036	90010
6562	Diode, Rect, EGP20DL-5100.	9322	164	42682	9524	Wire Jumper, 0.58MM.	3198	036	90010
6563	Diode, Signal, BAS316.	3198	010	10630	9525	Wire Jumper, 0.58MM.	3198	036	90010
6565	Diode, Signal, BAV70	9331	849	10215	9528	Wire Jumper, 0.58MM.	3198	036	90010
6566	Diode, Signal, 1N4148.	3198	010	10010	9610	Wire Jumper, 0.58MM.	3198	036	90010
6568	Diode, Rect, BYW76-RAS15/10.	9322	127	32682	9611	Coil, 27u.	3198	018	22790
6569	Diode, Signal, BAS316.	3198	010	10630	9612	Wire Jumper, 0.58MM.	3198	036	90010
6570	Zener Diode, 6.8 volt.	3198	020	56880	9613	Wire Jumper, 0.58MM.	3198	036	90010
6580	Diode, Signal, BAS316.	3198	010	10630	9614	Wire Jumper, 0.58MM.	3198	036	90010
6691	LED, VS LTL-10224WHCR.	9322	050	99682	9615	Wire Jumper, 0.58MM.	3198	036	90010
6692	IR, Receiver, TSOP1836UH3V	9322	127	54667	9616	Wire Jumper, 0.58MM.	3198	036	90010
6901	Res, Zero ohm, Chip Jumper	3198	021	90020	9617	Wire Jumper, 0.58MM.	3198	036	90010
7200	IC, SM TDA9577H/N1/A	9352	716	19557	9618	Wire Jumper, 0.58MM.	3198	036	90010
7201	Transistor, NPN, BC847B.	3198	010	42030	9619	Wire Jumper, 0.58MM.	3198	036	90010
7204	Transistor, PNP, BC857B.	3198	010	42150	9620	Wire Jumper, 0.58MM.	3198	036	90010
7441	Transistor, PNP, BC857B.	3198	010	42150	9621	Wire Jumper, 0.58MM.	3198	036	90010
7443	Transistor, PNP, BC557B.	3198	020	40110	9622	Wire Jumper, 0.58MM.	3198	036	90010
7450	Transistor, PNP, PDTA114ET	3198	010	44010	9623	Wire Jumper, 0.58MM.	3198	036	90010
7460	Transistor, NPN, BU4508DX.	9340	550	92127	9624	Wire Jumper, 0.58MM.	3198	036	90010
					9625	Wire Jumper, 0.58MM.	3198	036	90010

S = Safety Part Be sure to use exact replacement part.

20RF40S325 (continued)

9626	Wire Jumper, 0.58MM.	3198 036 90010	9920	Wire Jumper, 0.58MM.	3198 036 90010
9627	Wire Jumper, 0.58MM.	3198 036 90010	9922	Wire Jumper, 0.58MM.	3198 036 90010
9628	Wire Jumper, 0.58MM.	3198 036 90010	9982	Wire Jumper, 0.58MM.	3198 036 90010
9629	Wire Jumper, 0.58MM.	3198 036 90010	9991	Wire Jumper, 0.58MM.	3198 036 90010
9630	Wire Jumper, 0.58MM.	3198 036 90010	9994	Wire Jumper, 0.58MM.	3198 036 90010
9631	Wire Jumper, 0.58MM.	3198 036 90010	9996	Wire Jumper, 0.58MM.	3198 036 90010
9632	Wire Jumper, 0.58MM.	3198 036 90010	9998	Wire Jumper, 0.58MM.	3198 036 90010
9633	Wire Jumper, 0.58MM.	3198 036 90010	CBA	Main Chassis Assembly.	3139 177 20821
9634	Wire Jumper, 0.58MM.	3198 036 90010			
9637	Wire Jumper, 0.58MM.	3198 036 90010			
9638	Wire Jumper, 0.58MM.	3198 036 90010			
9639	Wire Jumper, 0.58MM.	3198 036 90010			
9640	Wire Jumper, 0.58MM.	3198 036 90010			
9641	Wire Jumper, 0.58MM.	3198 036 90010			
9642	Wire Jumper, 0.58MM.	3198 036 90010			
9643	Wire Jumper, 0.58MM.	3198 036 90010			
9644	Wire Jumper, 0.58MM.	3198 036 90010			
9645	Wire Jumper, 0.58MM.	3198 036 90010			
9648	Wire Jumper, 0.58MM.	3198 036 90010			
9650	Wire Jumper, 0.58MM.	3198 036 90010			
9654	Wire Jumper, 0.58MM.	3198 036 90010			
9657	Wire Jumper, 0.58MM.	3198 036 90010			
9658	Wire Jumper, 0.58MM.	3198 036 90010			
9659	Wire Jumper, 0.58MM.	3198 036 90010			
9660	Wire Jumper, 0.58MM.	3198 036 90010			
9661	Wire Jumper, 0.58MM.	3198 036 90010			
9662	Wire Jumper, 0.58MM.	3198 036 90010			
9663	Wire Jumper, 0.58MM.	3198 036 90010			
9664	Wire Jumper, 0.58MM.	3198 036 90010			
9665	Wire Jumper, 0.58MM.	3198 036 90010			
9666	Wire Jumper, 0.58MM.	3198 036 90010			
9668	Wire Jumper, 0.58MM.	3198 036 90010			
9669	Wire Jumper, 0.58MM.	3198 036 90010			
9670	Wire Jumper, 0.58MM.	3198 036 90010			
9672	Wire Jumper, 0.58MM.	3198 036 90010			
9674	Wire Jumper, 0.58MM.	3198 036 90010			
9675	Wire Jumper, 0.58MM.	3198 036 90010			
9676	Wire Jumper, 0.58MM.	3198 036 90010			
9678	Wire Jumper, 0.58MM.	3198 036 90010			
9679	Wire Jumper, 0.58MM.	3198 036 90010			
9680	Wire Jumper, 0.58MM.	3198 036 90010			
9683	Wire Jumper, 0.58MM.	3198 036 90010			
9686	Wire Jumper, 0.58MM.	3198 036 90010			
9687	Wire Jumper, 0.58MM.	3198 036 90010			
9688	Wire Jumper, 0.58MM.	3198 036 90010			
9689	Wire Jumper, 0.58MM.	3198 036 90010			
9690	Wire Jumper, 0.58MM.	3198 036 90010			
9691	Wire Jumper, 0.58MM.	3198 036 90010			
9692	Wire Jumper, 0.58MM.	3198 036 90010			
9694	Wire Jumper, 0.58MM.	3198 036 90010			
9695	Wire Jumper, 0.58MM.	3198 036 90010			
9697	Wire Jumper, 0.58MM.	3198 036 90010			
9698	Wire Jumper, 0.58MM.	3198 036 90010			
9699	Wire Jumper, 0.58MM.	3198 036 90010			
9821	Wire Jumper, 0.58MM.	3198 036 90010			
9822	Wire Jumper, 0.58MM.	3198 036 90010			
9824	Wire Jumper, 0.58MM.	3198 036 90010			
9825	Wire Jumper, 0.58MM.	3198 036 90010			
9827	Wire Jumper, 0.58MM.	3198 036 90010			
9828	Wire Jumper, 0.58MM.	3198 036 90010			
9829	Wire Jumper, 0.58MM.	3198 036 90010			
9830	Wire Jumper, 0.58MM.	3198 036 90010			
9831	Wire Jumper, 0.58MM.	3198 036 90010			
9832	Wire Jumper, 0.58MM.	3198 036 90010			
9833	Wire Jumper, 0.58MM.	3198 036 90010			
9834	Wire Jumper, 0.58MM.	3198 036 90010			
9835	Wire Jumper, 0.58MM.	3198 036 90010			
9836	Wire Jumper, 0.58MM.	3198 036 90010			
9837	Wire Jumper, 0.58MM.	3198 036 90010			
9838	Wire Jumper, 0.58MM.	3198 036 90010			
9839	Wire Jumper, 0.58MM.	3198 036 90010			
9840	Wire Jumper, 0.58MM.	3198 036 90010			
9841	Wire Jumper, 0.58MM.	3198 036 90010			
9842	Wire Jumper, 0.58MM.	3198 036 90010			
9843	Wire Jumper, 0.58MM.	3198 036 90010			
9844	Wire Jumper, 0.58MM.	3198 036 90010			
9845	Wire Jumper, 0.58MM.	3198 036 90010			
9846	Wire Jumper, 0.58MM.	3198 036 90010			
9847	Wire Jumper, 0.58MM.	3198 036 90010			
9849	Wire Jumper, 0.58MM.	3198 036 90010			
9851	Wire Jumper, 0.58MM.	3198 036 90010			
9903	Wire Jumper, 0.58MM.	3198 036 90010			
9904	Wire Jumper, 0.58MM.	3198 036 90010			
9905	Wire Jumper, 0.58MM.	3198 036 90010			
9911	Wire Jumper, 0.58MM.	3198 036 90010			
9912	Wire Jumper, 0.58MM.	3198 036 90010			
9913	Wire Jumper, 0.58MM.	3198 036 90010			
9914	Wire Jumper, 0.58MM.	3198 036 90010			
9915	Wire Jumper, 0.58MM.	3198 036 90010			
9916	Wire Jumper, 0.58MM.	3198 036 90010			
9918	Wire Jumper, 0.58MM.	3198 036 90010			
9919	Wire Jumper, 0.58MM.	3198 036 90010			

CRT Panel Parts (Part of Main Chassis)

	CRT Panel Parts (Part of Main Chassis)				
0244	Connector, 5 Pin	2422 025 04853			
0245	Connector, 6 Pin	2422 025 04854			
S 0254	CRT Socket, 9 Pin.	2422 500 80076			
2330	Cap, 100n, 10%, 250v, Metallized Polyester.	2222 368 90177			
2340	Cap, 10u, 20%, 250v, Electrolytic.	2020 012 93495			
2341	Cap, 3n3, 10%, 500v, Ceramic	3198 019 43320			
2342	Cap, 560p, 5%, 50v, Ceramic.	3198 016 05610			
2343	Cap, 3n3, 10%, 2000v, Ceramic.	2020 558 90529			
2344	Cap, 100n, +80/-20%, 25v, Ceramic.	3198 023 21040			
2345	Cap, 1n, 10%, 500v, Ceramic.	3198 019 41020			
3331	Res, 100 ohm, 5%, 1/6W, Carbon Film.	3198 011 01010			
3332	Res, 1K, 20%, 1/2W, Carbon Film.	3198 013 01020			
3333	Res, 100 ohm, 5%, 1/6W, Carbon Film.	3198 011 01010			
3334	Res, 1K, 20%, 1/2W, Carbon Film.	3198 013 01020			
3335	Res, 100 ohm, 5%, 1/6W, Carbon Film.	3198 011 01010			
3336	Res, 1K, 20%, 1/2W, Carbon Film.	3198 013 01020			
S 3340	Res, 10 ohm, 5%, 1/2W, Metal Film.	2306 207 03109			
S 3341	Res, 1 ohm, 5%, 1/3W, Metal Film	2306 204 03108			
S 3342	Res, 1 ohm, 5%, 1/3W, Metal Film	2306 204 03108			
3343	Res, 1K5, 20%, 1/2W, Carbon Film	3198 013 01520			
3344	Res, 22 ohm, 5%, 1/6W, Carbon Film	3198 011 02290			
3345	VDR DC 1MA/ 50V S MAX 115V A	2322 593 13507			
3346	Res, 22 ohm, 5%, 1/6W, Carbon Film	3198 011 02290			
3347	Res, Zero ohm, Chip Jumper	3198 021 90020			
3350	Res, Zero ohm, Chip Jumper	3198 021 90020			
3353	Res, Zero ohm, Chip Jumper	3198 021 90020			
5342	Coil, 22u.	2422 535 97333			
6331	Diode, Signal, BAV21	3198 010 10070			
6332	Diode, Signal, BAS316.	3198 010 10630			
6333	Diode, Signal, BAV21	3198 010 10070			
6335	Diode, Signal, BAV21	3198 010 10070			
7330	IC, TDA6107Q/N2.	9352 576 50112			
9311	Wire Jumper, 0.58MM.	3198 036 90010			
9341	Wire Jumper, 0.58MM.	3198 036 90010			
9342	Wire Jumper, 0.58MM.	3198 036 90010			
9343	Wire Jumper, 0.58MM.	3198 036 90010			

S = Safety Part. Be sure to use exact replacement part.

20RF50S325 - Manual no. 7629

Cabinet & Accessory Parts

Cabinet & Accessory Parts			
S AC01	AC Cord	3135 010	03831
AC03	Battery, 1.5V, 2-PACK	9299 000	65263
AC04	Cabinet Back Assembly	3139 124	40732
S AC10	CRT, A51QDX992X001	9322 182	96682
S AC12	Degaussing Coil	3139 128	23841
AC13	Holder, Degaussing Coil (2 Used)	3135 013	01661
AC16	Owner's Manual	3121 235	20421
REMOTE	Remote Transmitter, RC19036002/01	3139 228	88001
AC18	Spacer, (EHT CABLE)	3139 124	17541
AC20	Cabinet Front Assembly f/20RF50S325	3121 237	52771
AC20a	Cabinet Front	3139 138	13741
AC20b	Chassis Guide	3139 124	37561
AC20d	Light Guide	3139 124	41241
AC20e	Nameplate	3139 120	01371
AC20f	Power Button	3139 138	13871
AC20j	Speaker, Full Range, 16ohm, 5W (2 Used)	2422 264	00411
AC20k	Top Control Panel	3139 177	22631
AC20k1	Top Control Bracket	3139 124	33941
AC20k2	Top Control Button	3139 124	30391
AC20k3	Top Control Cover	3139 124	31131
S AC21	Deflection Yoke, ITC (Supplied with CRT)	000- --	----

Main Chassis Assembly Parts

Main Chassis Assembly Parts			
0127	Socket Fuse	2422 088	00271
S 0211	Connector, 2 Pin	2422 025	16269
S 0212	Connector, 2 Pin	2422 025	16375
0220	Connector, 5 Pin	2422 025	04853
S 0221	Connector, 4 Pin	2422 025	15503
S 0222	Connector, 2 Pin	2422 025	10646
0223	Socket, Cinch, 9 Pin	2422 026	05236
0239	Connector, 3 Pin	2422 025	16382
0243	Connector, 6 Pin	2422 025	04854
0267	Connector, 3 Pin	2412 020	00725
0280	Connector, 4 Pin	2422 025	12479
1000	Tuner, V+U PLL	2422 542	90108
1002	SAW Filter, 45MHZ75, OFWM1971M L	2422 549	44518
1200	Filter, Ceramic, 4MHZ5	2422 549	40807
S 1500	Fuse, 4A, 250V, IEC	2422 086	10914
S 1515	Relay, 1P, 12V	2422 132	07444
1606	Tact Switch	2422 128	02742
1660	Crystal Resonator, 12 MHz, 20P, HC49/U A	2422 543	01203
1861	Ceramic Resonator, 514.5 KHz, CSB503F 58 B	2422 540	98344
2004	Cap, 47n, 10%, 16v, Ceramic	3198 017	34730
2005	Cap, 10u, 20%, 50v, Electrolytic	3198 025	51090
2006	Cap, 470u, 20%, 16v, Electrolytic	3198 025	24710
2007	Cap, 100n, +80/-20%, 25v, Ceramic	3198 023	41040
2008	Cap, 100u, 20%, 25v, Electrolytic	3198 025	31010
2009	Cap, 22n, 10%, 25v, Ceramic	3198 017	32230
2101	Cap, 470n, +80/-20%, 16v, Ceramic	3198 017	24740
2102	Cap, 22p, 5%, 50v, Ceramic	3198 016	02290
2103	Cap, 330p, 10%, 50v, Ceramic	3198 017	33310
2104	Cap, 330p, 5%, 50v, Ceramic	3198 016	33310
2105	Cap, 10u, 20%, 50v, Electrolytic	3198 025	51090
2106	Cap, 10u, 20%, 50v, Electrolytic	3198 025	51090
2111	Cap, 22p, 5%, 50v, Ceramic	3198 016	02290
2112	Cap, 22p, 5%, 50v, Ceramic	3198 016	02290
2113	Cap, 22p, 5%, 50v, Ceramic	3198 016	02290
2121	Cap, 22p, 5%, 50v, Ceramic	3198 016	02290
2122	Cap, 330p, 5%, 50v, Ceramic	3198 016	33310
2123	Cap, 2u2, +80/-20%, 10v, Ceramic	3198 017	22250
2124	Cap, 330p, 5%, 50v, Ceramic	3198 016	33310
2125	Cap, 2u2, +80/-20%, 10v, Ceramic	3198 017	22250
2143	Cap, 100n, +80/-20%, 25v, Ceramic	3198 023	41040
2150	Cap, 150n, 10%, 16v, Ceramic	2238 780	15652
2201	Cap, 100n, +80/-20%, 25v, Ceramic	3198 023	21040
2203	Cap, 100n, +80/-20%, 25v, Ceramic	3198 023	41040
2204	Cap, 100n, +80/-20%, 25v, Ceramic	3198 023	41040
2205	Cap, 220n, +80/-20%, 25v, Ceramic	3198 023	22240
2208	Cap, 100n, +80/-20%, 25v, Ceramic	3198 023	41040
2209	Cap, 10u, 20%, 50v, Electrolytic	3198 025	51090
2210	Cap, 220n, +80/-20%, 25v, Ceramic	3198 023	22240
2211	Cap, 470n, +80/-20%, 16v, Ceramic	3198 017	24740
2213	Cap, 22n, 10%, 50v, Ceramic	3198 017	02230
2214	Cap, 22n, 10%, 50v, Ceramic	3198 017	02230
2215	Cap, 22n, 10%, 50v, Ceramic	3198 017	02230
2216	Cap, 1000u, 20%, 16v, Electrolytic	3198 026	21020
2217	Cap, 22n, 10%, 25v, Ceramic	3198 017	32230
2219	Cap, 220n, +80/-20%, 25v, Ceramic	3198 023	22240
2220	Cap, 470n, 10%, 50v, Polyester	3198 014	04740
2226	Cap, 100p, 5%, 50v, Ceramic	3198 016	01010
2227	Cap, 4n7, 10%, 50v, Ceramic	3198 017	34720
2228	Cap, 820p, 5%, 25v, Ceramic	3198 016	38210
2229	Cap, 10u, 20%, 50v, Electrolytic	3198 025	51090
2241	Cap, 1n5, 10%, 50v, Ceramic	3198 017	31520
2242	Cap, 1u, +80/-20%, 10v, Ceramic	3198 017	41050

Cap, 10n, 10%, 50v, Ceramic	3198 017	01030	
Cap, 100n, 10%, 63v, Metallized Polyester	2222 370	75104	
Cap, 220n, +80/-20%, 16v, Ceramic	3198 023	22240	
Cap, 1000u, 20%, 16v, Electrolytic	3198 026	21020	
Cap, 22n, 10%, 50v, Ceramic	3198 017	02230	
Cap, 22n, 10%, 25v, Ceramic	3198 017	32230	
Cap, 2u2, 20%, 50v, Electrolytic	3198 025	52280	
Cap, 1n, 5%, 25v, Ceramic	3198 016	31020	
Cap, 1n, 5%, 25v, Ceramic	3198 016	31020	
Res, Zero ohm, Chip Jumper	3198 021	90020	
Cap, 220u, 20%, 16v, Electrolytic	3198 025	22210	
Cap, 1u, 20%, 50v, Electrolytic	3198 025	51080	
Cap, 47n, +80/-20%, 50v, Ceramic	3198 017	24730	
Cap, 1u, 20%, 50v, Electrolytic	3198 025	51080	
Cap, 47u, 20%, 160v, Electrolytic	2020 021	91139	
Cap, 180p, 5%, 50v, Ceramic	3198 016	01810	
Cap, 47u, 20%, 25v, Electrolytic	3198 025	34790	
Cap, 270n, 5%, 250v, Polypropylene	2222 479	90016	
Cap, 2u2, 20%, 100v, Electrolytic	2020 021	91331	
Cap, 680p, 10%, 500v, Ceramic	3198 019	46810	
Cap, 100p, 5%, 50v, Ceramic	3198 016	01010	
Cap, 390p, 10%, 2000v, Ceramic	2020 558	90482	
Cap, 9n1, 5%, 1600v, Polypropylene	2222 375	90153	
Cap, 15n, 10%, 400v, Polyester	2222 347	90219	
Cap, 33n, 10%, 400v, Polyester	2222 347	90227	
Cap, 100n, 10%, 50v, Polyester	3198 014	01040	
Cap, 10n, 10%, 100v, Metallized Polyester	2222 365	85103	
Cap, 100n, 10%, 63v, Metallized Polyester	2222 365	75104	
Cap, 2n2, 10%, 50v, Ceramic	3198 017	02220	
Cap, 2n2, 10%, 50v, Ceramic	3198 017	02220	
Cap, 4n7, 10%, 50v, Ceramic	3198 017	04720	
Cap, 47u, 20%, 25v, Electrolytic	2020 021	90586	
Cap, 470p, 10%, 500v, Ceramic	3198 019	44710	
Cap, 33n, 10%, 250v, Polyester	2222 347	90213	
Cap, 4u7, 20%, 250v, Electrolytic	2020 021	90856	
Cap, 470u, 20%, 16v, Electrolytic	2020 021	91577	
Cap, 47u, 20%, 50v, Electrolytic	2020 021	90854	
Cap, 1000u, 20%, 16v, Electrolytic	2020 021	91049	
Cap, 470u, 20%, 16v, Electrolytic	2020 021	91577	
Cap, 1n, 10%, 500v, Ceramic	3198 019	41020	
Cap, 470n, 20%, 275v, Metallized Polypropylene	2222 336	29148	
Cap, 2n2, 10%, 1000v, Ceramic	3198 019	52220	
Cap, 2n2, 10%, 1000v, Ceramic	3198 019	52220	
Cap, 220u, 20%, 200v, Electrolytic	2020 024	90585	
Cap, 2n2, 10%, 1000v, Ceramic	3198 019	52220	
Cap, 470p, 10%, 50v, Ceramic	3198 017	04710	
Cap, 470p, 10%, 1000v, Ceramic	3198 019	64710	
S 2515	Cap, 1n5, 20%, v, Ceramic	2020 554	90128
2520	Cap, 10n, 10%, 50v, Ceramic	3198 017	01030
2521	Cap, 22u, 20%, 50v, Electrolytic	3198 025	52290
2522	Cap, 100n, 10%, 16v, Ceramic	3198 017	01040
2523	Cap, 1n5, 10%, 2000v, Ceramic	2020 558	90489
2525	Cap, 470p, 10%, 50v, Ceramic	3198 017	04710
2526	Cap, 470n, +80/-20%, 16v, Ceramic	3198 017	24740
2527	Cap, 2n2, 10%, 50v, Ceramic	3198 017	02220
2528	Cap, 1n, 10%, 50v, Ceramic	3198 017	01020
2540	Cap, 10n, 10%, 50v, Ceramic	3198 017	01030
2541	Cap, 10n, 10%, 50v, Ceramic	3198 017	01030
2560	Cap, 680p, 10%, 1000v, Ceramic	2020 558	90472
2561	Cap, 47u, 20%, 160v, Electrolytic	2020 021	91358
2562	Cap, 1n, 10%, 50v, Ceramic	3198 019	11020
2563	Cap, 100n, 10%, 50v, Polyester	3198 014	01040
2564	Cap, 2u2, 20%, 25v, Electrolytic	2020 021	91353
2566	Cap, 470u, 20%, 6.3v, Electrolytic	3198 025	04710
2567	Cap, 47u, 20%, 25v, Electrolytic	3198 025	34790
2568	Cap, 1u, 20%, 50v, Electrolytic	3198 025	51080
2580	Cap, 47u, 20%, 16v, Electrolytic	3198 028	24790
2581	Cap, 22u, 20%, 50v, Electrolytic	3198 025	52290
2601	Cap, 220n, +80/-20%, 25v, Ceramic	3198 023	22240
2602	Cap, 100p, 5%, 50v, Ceramic	3198 016	01010
2606	Cap, 1n, 10%, 50v, Ceramic	3198 017	01020
2607	Cap, 33p, 5%, 50v, Ceramic	3198 016	33390
2608	Cap, 1u, +80/-20%, 10v, Ceramic	3198 017	41050
2609	Cap, 33p, 5%, 50v, Ceramic	3198 016	33390
2611	Cap, 1u, +80/-20%, 10v, Ceramic	3198 017	41050
2612	Cap, 68p, 5%, 50v, Ceramic	3198 016	06890
2613	Cap, 68p, 5%, 50v, Ceramic	3198 016	06890
2615	Cap, 1n, 10%, 50v, Ceramic	3198 017	01020
2618	Cap, 1u, +80/-20%, 10v, Ceramic	3198 017	41050
2619	Cap, 1u, +80/-20%, 16v, Ceramic	3198 017	21050
2691	Cap, 10u, 20%, 50v, Electrolytic	3198 025	51090
2805	Cap, 2u2, +80/-20%, 10v, Ceramic	3198 017	22250
2806	Cap, 2u2, +80/-20%, 10v, Ceramic	3198 017	22250
2861	Cap, 220n, +80/-20%, 16v, Ceramic	3198 017	42240
2862	Cap, 2u2, +80/-20%, 10v, Ceramic	3198 017	22250
2864	Cap, 2u2, 20%, 50v, Electrolytic	3198 025	52280
2865	Cap, 2u2, 20%, 50v, Electrolytic	3198 025	52280
2866	Cap, 2u2, +80/-20%, 10v, Ceramic	3198 017	22250

S = Safety Part Be sure to use exact replacement part.

20RF50S325 (continued)

2867	Cap, 3n3, 10%, 50v, Ceramic.	3198 017 03320	3249	Res, 820 ohm, 5%, 1/6W, Carbon Film.	3198 011 08210
2868	Cap, 150p, 5%, 50v, Ceramic.	3198 016 31510	3251	Res, 100 ohm, 5%, 1/6W, Carbon Film.	3198 011 01010
2869	Cap, 47n, 10%, 50v, Polyester.	3198 014 04730	3256	Res, 1k, 5%, Carbon.	3198 021 51020
2870	Cap, 47n, 10%, 50v, Polyester.	3198 014 04730	3257	Res, 10M, 5%, 1/10W, Metallized Glass	3198 021 51060
2871	Cap, 150p, 5%, 50v, Ceramic.	3198 016 31510	3258	Res, 330K, 5%, 1/10W, Metallized Glas	3198 021 53340
2872	Cap, 3n3, 10%, 50v, Ceramic.	3198 017 03320	3259	Res, 470K, 5%, 1/10W, Metallized Glas	3198 021 54740
2873	Cap, 2u2, +80/-20%, 10v, Ceramic.	3198 017 22250	3441	Res, 100 ohm, 5%, 1/10W, Metallized G lass	3198 021 51010
2874	Cap, 100u, 20%, 25v, Electrolytic.	3198 025 31010	3442	Res, Zero ohm, Chip Jumper	3198 021 90020
2875	Cap, 100u, 20%, 25v, Electrolytic.	3198 025 31010	3443	Res, 1M, 5%, 1/10W, Metallized Glass	3198 021 51050
2876	Cap, 4u7, 20%, 50v, Electrolytic.	3198 025 54780	3445	Res, 15K, 5%, 1/6W, Carbon Film.	3198 011 01530
2877	Cap, 10u, 20%, 50v, Electrolytic.	3198 025 51090	3446	Res, 5K6, 5%, 1/6W, Carbon Film.	3198 011 05620
2878	Cap, 1u, 20%, 50v, Electrolytic.	3198 025 51080	3447	Res, 180 ohm, 5%, 1/6W, Carbon Film.	3198 011 01810
2879	Cap, 4n7, 10%, 50v, Ceramic.	3198 017 34720	3448	Res, 820 ohm, 5%, 1/6W, Carbon Film.	3198 011 08210
2880	Cap, 22n, 10%, 25v, Ceramic.	3198 017 32230	3449	Res, 68 ohm, 5%, 1/6W, Carbon Film.	3198 011 06890
2883	Cap, 470u, 20%, 16v, Electrolytic.	3198 025 24710	3450	Res, 33 ohm, 5%, 1/6W, Carbon Film.	3198 011 03390
2884	Cap, 2u2, 20%, 50v, Electrolytic.	3198 025 52280	S 3451	Res, 10 ohm, 5%, 1/3W, Metal Film.	2306 204 03109
2885	Cap, 220n, 10%, 50v, Polyester.	3198 014 02240	3452	Res, 5K1, 1%, 3/5W, Metal Film.	2312 915 15102
2886	Cap, 220n, +80/-20%, 16v, Ceramic.	3198 017 42240	3453	Res, 1K, 5%, 1/6W, Carbon Film.	3198 011 01020
2892	Res, Zero ohm, Chip Jumper	3198 021 90020	3454	Res, 2K, 1%, 3/5W, Metal Film.	2312 915 12002
2893	Res, Zero ohm, Chip Jumper	3198 021 90020	3455	Res, 6R8, 5%, 1 1/3W, Metal Film.	3198 012 26880
2902	Cap, 1000u, 20%, 16v, Electrolytic.	3198 026 21020	3456	Res, Zero ohm, Chip Jumper	3198 021 90020
2903	Cap, 1u, 20%, 50v, Electrolytic.	3198 025 51080	3457	Res, Zero ohm, Chip Jumper	3198 021 90020
2904	Cap, 470n, +80/-20%, 16v, Ceramic.	3198 017 24740	3458	Res, 1K, 5%, 1/6W, Carbon Film.	3198 011 01020
2905	Cap, 1n, 10%, 50v, Ceramic.	3198 017 01020	3459	Res, 15K, 5%, 1 1/3W, Metal Film.	3198 012 21530
2906	Cap, 470n, +80/-20%, 16v, Ceramic.	3198 017 24740	3460	Res, 3K9, 5%, 1/6W, Carbon Film.	3198 011 03920
2907	Cap, 1n, 10%, 50v, Ceramic.	3198 017 01020	3463	Res, 33 ohm, 5%, 1/6W, Carbon Film.	3198 011 03390
2908	Cap, 10u, 20%, 50v, Electrolytic.	3198 025 51090	3465	Res, 27K, 1%, 3/5W, Metal Film.	2312 915 12703
2910	Cap, 3n3, 10%, 50v, Ceramic.	3198 017 03320	3469	Res, 3K3, 5%, 1/6W, Carbon Film.	3198 011 03320
2911	Cap, 3n3, 10%, 50v, Ceramic.	3198 017 03320	3470	Res, 270K, 5%, 1/8W, Metallized Glass	2322 730 61274
2950	Cap, 330p, 5%, 50v, Ceramic.	3198 016 33310	3471	Res, 6R8, 1%, 3/5W, Metal Film.	2312 915 16808
3000	Res, 100 ohm, 5%, 1/6W, Carbon Film.	3198 011 01010	3472	Res, 6R8, 1%, 3/5W, Metal Film.	2312 915 16808
3001	Res, 100 ohm, 5%, 1/6W, Carbon Film.	3198 011 01010	3473	Res, 3R9, 1%, 3/5W, Metal Film.	2312 915 13908
3002	Res, Zero ohm, Chip Jumper	3198 021 90020	3474	Res, 2K2, 1%, 3/5W, Metal Film.	2312 915 12202
3003	Res, 1K5, 5%, 1/16W, Metallized Glass	3198 021 31520	3475	Res, 2K2, 1%, 3/5W, Metal Film.	2312 915 12202
3004	Res, 8K2, 5%, 1/16W, Metallized Glass	3198 021 38220	3477	Res, 150 ohm, 5%, 1/6W, Carbon Film.	3198 011 01510
3005	Res, 100 ohm, 5%, 1/6W, Carbon Film.	3198 011 01010	3478	Res, 150 ohm, 5%, 1/6W, Carbon Film.	3198 011 01510
3101	Res, 68 ohm, 5%, 1/6W, Carbon Film.	3198 011 06890	3479	Res, 2K7, 5%, 1/10W, Metallized Glass	3198 021 52720
3102	Res, 1K, 5%, 1/16W, Metallized Glass	3198 021 31020	3481	Res, 18K, 1%, 3/5W, Metal Film.	2312 915 11803
3103	Res, 150 ohm, 5%, 1/6W, Carbon Film.	3198 011 01510	3482	Res, 12K, 1%, Metal Film.	2312 915 11203
3104	Res, 220K, 5%, 1/16W, Metallized Glas	3198 021 32240	3484	Res, 3K9, 5%, 1/6W, Carbon Film.	3198 011 03920
3105	Res, 150 ohm, 5%, 1/6W, Carbon Film.	3198 011 01510	3488	Res, 4R7, 5%, 1/2W, Metal Film.	2306 207 03478
3106	Res, 220K, 5%, 1/16W, Metallized Glas	3198 021 32240	3490	Res, 8K2, 5%, 1/6W, Carbon Film.	3198 011 08220
3111	Res, 75 ohm, 5%, 1/6W, Carbon Film.	3198 011 07590	3491	Res, 10k, 5%, Carbon.	3198 021 51030
3112	Res, 100 ohm, 5%, 1/6W, Carbon Film.	3198 011 01010	3492	Res, 820 ohm, 5%, 1/10W, Metallized G lass	3198 021 58210
3113	Res, 75 ohm, 5%, 1/6W, Carbon Film.	3198 011 07590	3493	Res, 6R8, 5%, 1/3W, Metal Film.	2306 204 03688
3114	Res, 100 ohm, 5%, 1/6W, Carbon Film.	3198 011 01010	3494	Res, 4R7, 5%, 1/2W, Metal Film.	2306 207 03478
3115	Res, 75 ohm, 5%, 1/6W, Carbon Film.	3198 011 07590	3495	Res, 22k, 5%, Carbon.	3198 021 52230
3116	Res, 100 ohm, 5%, 1/6W, Carbon Film.	3198 011 01010	3496	Res, 100K, 5%, 1/10W, Metallized Glas	3198 021 51040
3122	Wire Jumper, 0.58MM.	3198 036 90010	3497	Res, 100K, 5%, 1/10W, Metallized Glas	3198 021 51040
3123	Res, 150 ohm, 5%, 1/6W, Carbon Film.	3198 011 01510	3498	Res, 12K, 5%, 1/10W, Metallized Glass	3198 021 51230
3124	Res, 47K, 5%, 1/16W, Metallized Glass	3198 021 34730	S 3500	Res, 3M3, 5%, 1/2W, Metallized Glass	2322 242 13335
3125	Res, 150 ohm, 5%, 1/6W, Carbon Film.	3198 011 01510	S 3501	Res, 3M3, 5%, 1/2W, Metallized Glass	2322 242 13335
3126	Res, 47K, 5%, 1/16W, Metallized Glass	3198 021 34730	3504	Res, 3 ohm, +30%/-20%, 144v, PTC, Car bon Film.	2122 663 00019
3149	Res, 100K, 5%, 1/16W, Metallized Glas	3198 021 31040	S 3506	Res, 1M5, 5%, 1/2W, Metallized Glass	2322 242 13155
3150	Res, 150K, 5%, 1/16W, Metallized Glas	3198 021 31540	S 3507	Surge Protector, DSP-301N-A21F A.	2422 549 43073
3154	Res, 5K6, 5%, 1/6W, Carbon Film.	3198 011 05620	S 3508	Res, 220 ohm, 20%, 1/2W, Carbon Film	3198 013 02210
3156	Res, 10K, 5%, 1/6W, Carbon Film.	3198 011 01030	3519	Res, 270 ohm, 5%, 1/6W, Carbon Film.	3198 011 02710
3157	Res, 1K5, 5%, 1/16W, Metallized Glass	3198 021 31520	3520	Res, 1K2, 5%, 1/10W, Metallized Glass	3198 021 51220
3158	Res, 10K, 5%, 1/16W, Metallized Glass	3198 021 31030	3521	Res, 4R7, 5%, 1/6W, Carbon Film.	3198 011 04780
3159	Res, 1K2, 1%, 1/10W, Metallized Glass	2120 108 92616	3522	Res, 330K, 5%, 1/10W, Metallized Glas	3198 021 53340
3200	Res, 390 ohm, 5%, 1/6W, Carbon Film.	3198 011 03910	S 3523	Res, 100 ohm, 5%, 1/3W, Metal Film.	2306 204 03101
3201	Res, 100 ohm, 5%, 1/6W, Carbon Film.	3198 011 01010	3524	Res, 56K, 5%, 1/10W, Metallized Glass	3198 021 55630
3202	Res, 100 ohm, 5%, 1/6W, Carbon Film.	3198 011 01010	3525	Res, 1k, 5%, Carbon.	3198 021 51020
3203	Res, 100 ohm, 5%, 1/6W, Carbon Film.	3198 011 01010	3526	Res, 0R15, 5%, 3/5W, Metal Film.	3198 012 11570
3204	Res, 22K, 5%, 1/6W, Carbon Film.	3198 011 02230	3528	Res, 10 ohm, 5%, 1/10W, Metallized Gl ass.	3198 021 51090
3205	Res, 1k, 5%, Carbon.	3198 021 51020	3529	Res, 47K, 5%, 1/10W, Metallized Glass	3198 021 54730
3206	Res, 33K, 5%, 1/10W, Metallized Glass	3198 021 53330	3530	Res, 10k, 5%, Carbon.	3198 021 51030
3207	Res, 1K, 5%, 1/6W, Carbon Film.	3198 011 01020	3531	Res, 4K7, 5%, 1/10W, Metallized Glass	3198 021 54720
3208	Res, 220 ohm, 5%, 1/16W, Metallized G lass	3198 021 32210	S 3532	Res, 2K2, 5%, 1/3W, Metal Film.	2306 204 03222
3209	Res, 68 ohm, 5%, 1/16W, Metallized Gl ass.	3198 021 36890	3541	Res, 470 ohm, 5%, 1/10W, Metallized G lass	3198 021 54710
3212	Res, 470 ohm, 5%, 1/16W, Metallized G lass	3198 021 34710	3542	Res, 1K5, 5%, 1/10W, Metallized Glass	3198 021 51520
3213	Res, 560 ohm, 5%, 1/6W, Carbon Film.	3198 011 05610	3543	Res, 82K, 1%, 3/5W, Metal Film.	2312 915 18203
3217	Res, 330K, 5%, 1/16W, Metallized Glas	3198 021 33340	3544	Res, 4K7, 1%, 1/8W, Metallized Glass	2322 734 64702
3218	Res, 82K, 5%, 1/16W, Metallized Glass	3198 021 38230	3545	Res, 270K, 5%, 1/8W, Metallized Glass	2322 730 61274
3219	Res, 2K2, 5%, 1/16W, Metallized Glass	3198 021 32220	3548	Res, 15K, 5%, 1/10W, Metallized Glass	3198 021 51530
3220	Res, 100 ohm, 5%, 1/6W, Carbon Film.	3198 011 01010	3552	Res, 10k, 5%, Carbon.	3198 021 51030
3221	Res, 560 ohm, 5%, 1/6W, Carbon Film.	3198 011 05610	3557	Res, 1k, 5%, Carbon.	3198 021 51020
3222	Res, 100 ohm, 5%, 1/6W, Carbon Film.	3198 011 01010	3560	Res, 47 ohm, 5%, 1/6W, Carbon Film.	3198 011 04790
3226	Res, 560 ohm, 5%, 1/16W, Metallized G lass	3198 021 35610	3561	Res, 100 ohm, 5%, 1/6W, Carbon Film.	3198 011 01010
3232	Res, 2K2, 5%, 1/16W, Metallized Glass	3198 021 32220	3562	Res, 12K, 5%, 1/10W, Metallized Glass	3198 021 51230
3235	Res, 100 ohm, 5%, 1/6W, Carbon Film.	3198 011 01010	3563	Res, 8K2, 5%, 1/10W, Metallized Glass	3198 021 58220
3241	Res, 22K, 5%, 1/16W, Metallized Glass	3198 021 32230	3564	Res, 0R1, 5%, 1 1/3W, Metal Film.	3198 012 21070
3242	Res, 12K, 5%, 1/10W, Metallized Glass	3198 021 51230	3565	Res, 330 ohm, 5%, 1W, Metal Film.	3198 012 13310
3244	Res, 820 ohm, 5%, 1/6W, Carbon Film.	3198 011 08210	3566	Res, 2K2, 5%, 1/10W, Metallized Glass	3198 021 52220
3245	Res, 39K, 5%, 1/10W, Metallized Glass	3198 021 53930	3567	Res, 1K8, 5%, 1/16W, Metallized Glass	3198 021 31820
3246	Res, 10k, 5%, Carbon.	3198 021 51030	3568	Res, 8K2, 5%, 1/10W, Metallized Glass	3198 021 58220
3247	Res, 270K, 5%, 1/10W, Metallized Glas	2120 108 91725	3569	Res, 5K6, 5%, 1/10W, Metallized Glass	3198 021 55620
3248	Res, 33K, 5%, 1/10W, Metallized Glass	3198 021 53330			

S = Safety Part Be sure to use exact replacement part.

20RF50S325 (continued)

3580	Res, 47K, 5%, 1/10W, Metallized Glass	3198	021	54730	5242	Coil, 10u.	3198	018	11090
3594	Res, 220 ohm, 5%, Carbon	3198	021	52210	S 5445	Transformer, LOT, JF0501-19196 B	2422	531	02519
3595	Res, 220K, 5%, 1/10W, Metallized Glas	3198	021	52240	5452	Fixed, Inductor, 100MHZ, 80 ohm.	3198	018	90020
3596	Res, 220K, 5%, 1/10W, Metallized Glas	3198	021	52240	5453	Coil, 22u.	3198	018	12290
3603	Res, 100 ohm, 5%, 1/6W, Carbon Film.	3198	011	01010	5457	Coil, Linear Correction, 82u, PSL12-1			
3604	Res, 100 ohm, 5%, 1/6W, Carbon Film.	3198	011	01010		02A B.	2422	536	00425
3605	Res, 4K7, 5%, 1/16W, Metallized Glass	3198	021	34720	5461	Transformer, Signal Driver, SC10015-0			
3606	Res, 2K2, 5%, 1/6W, Carbon Film.	3198	011	02220		0 B.	2422	531	02465
3607	Res, 2K2, 5%, 1/6W, Carbon Film.	3198	011	02220	5471	Coil, 3u3.	3198	018	73380
3608	Res, 100 ohm, 5%, 1/6W, Carbon Film.	3198	011	01010	5472	Coil, 3u3.	3198	018	23380
3611	Res, 100 ohm, 5%, 1/16W, Metallized G				5480	Coil, 18u.	2422	535	97332
	lass	3198	021	31010	S 5501	AC Filter, 22MH OA9 DMF2422 B.	2422	549	43056
3618	Res, 6K8, 5%, 1/6W, Carbon Film.	3198	011	06820	S 5520	Transformer, SMT Layer, SS35107-01 B	2422	531	02536
3622	Res, 100 ohm, 5%, 1/10W, Metallized G				5521	Fixed, Inductor, 100MHZ, 50R.	3198	018	90010
	lass	3198	021	51010	5560	Fixed, Inductor, 100MHZ, 50R.	3198	018	90010
3623	Res, 4K7, 5%, 1/16W, Metallized Glass	3198	021	34720	5561	Coil, 27u.	3198	018	22790
3624	Res, 100 ohm, 5%, 1/6W, Carbon Film.	3198	011	01010	5562	Fixed, Inductor, 100MHZ, 50R.	3198	018	90010
3625	Res, 100 ohm, 5%, 1/6W, Carbon Film.	3198	011	01010	5564	Fixed, Inductor, 100MHZ, 50R.	3198	018	90010
3626	Res, 4K7, 5%, 1/16W, Metallized Glass	3198	021	34720	5602	Coil, 5u6.	3198	018	15680
3627	Res, 4K7, 5%, 1/16W, Metallized Glass	3198	021	34720	5603	Coil, 5u6.	3198	018	15680
3628	Res, 10K, 5%, 1/16W, Metallized Glass	3198	021	31030	5604	Coil, 5u6.	3198	018	15680
3630	Res, 2K2, 5%, 1/16W, Metallized Glass	3198	021	32220	5861	Coil, 10u.	3198	018	11090
3632	Res, Zero ohm, Chip Jumper	3198	021	90020	6001	Zener Diode, 33 volt	3198	010	23390
3634	Res, 100 ohm, 5%, 1/6W, Carbon Film.	3198	011	01010	6150	Diode, Signal, BAS316.	3198	010	10630
3636	Res, 100 ohm, 5%, 1/10W, Metallized G				6201	Diode, Signal, BAS316.	3198	010	10630
	lass	3198	021	51010	6202	Diode, Signal, BAS316.	3198	010	10630
3638	Res, 75 ohm, 5%, 1/16W, Metallized Gl				6206	Zener Diode, 6.8 volt.	3198	020	56880
	ass.	3198	021	37590	6445	Zener Diode, 10 volt	3198	020	51090
3639	Res, Zero ohm, Chip Jumper	3198	021	90020	6447	Diode, Signal, 1N4148.	3198	010	10010
3685	Res, 1K5, 1%, 1/10W, Metallized Glass	2120	108	92617	6448	Zener Diode, 6.2 volt.	9331	668	30133
3691	Res, 330 ohm, 5%, 1/16W, Metallized G				6449	Diode, Signal, BAV99	3198	010	10620
	lass	3198	021	33310	6453	Zener Diode, 5.6 volt.	3198	020	55680
3693	Res, 220 ohm, 5%, 1/16W, Metallized G				6460	Diode, Rect, BY228/24.	9340	559	50112
	lass	3198	021	32210	6461	Diode, Rect, RGP30J-L7004.	9338	617	06682
3694	Res, 4K7, 5%, 1/16W, Metallized Glass	3198	021	34720	6463	Zener Diode, 9.1 volt.	9322	150	08685
3861	Res, 100K, 5%, 1/16W, Metallized Glas	3198	021	31040	6465	Diode, Signal, BAV21	3198	010	10070
3862	Res, 15K, 5%, 1/16W, Metallized Glass	3198	021	31530	6466	Diode, Signal, BAV21	3198	010	10070
3863	Res, 1K2, 5%, 1/16W, Metallized Glass	3198	021	31220	6468	Diode, Signal, BAS316.	3198	010	10630
3864	Res, 100 ohm, 5%, 1/16W, Metallized G				6470	Diode, Signal, BAV99	3198	010	10620
	lass	3198	021	31010	6476	Zener Diode, 15 volt	3198	010	21590
3865	Res, 100 ohm, 5%, 1/6W, Carbon Film.	3198	011	01010	6481	Zener Diode, 5.6 volt.	3198	010	25680
3866	Res, 100 ohm, 5%, 1/6W, Carbon Film.	3198	011	01010	6482	Zener Diode, 9.1 volt.	9331	177	80133
3867	Res, 3K3, 5%, 1/16W, Metallized Glass	3198	021	33320	6483	Zener Diode, 33 volt	3198	010	23390
3891	Res, 100 ohm, 5%, 1/16W, Metallized G				6485	Diode, Rect, BYD33J	9337	234	20133
	lass	3198	021	31010	6486	Diode, Rect, EGP20DL-5100.	9322	164	42682
3893	Res, 270 ohm, 5%, 1/16W, Metallized G				6487	Diode, Rect, BYD33D	9337	234	00133
	lass	3198	021	32710	6488	Diode, Rect, EGP20DL-5100.	9322	164	42682
3894	Res, 100 ohm, 5%, 1/16W, Metallized G				6500	Diode, Bridge Rect, GBU4JL-7002.	9322	132	55667
	lass	3198	021	31010	6520	Diode, Rect, BYD33D	9337	234	00133
3896	Res, 270 ohm, 5%, 1/16W, Metallized G				6522	Zener Diode, 20 volt	9322	150	13685
	lass	3198	021	32710	6523	Diode, Signal, 1N4148.	3198	010	10010
3901	Res, 1K, 5%, 1/16W, Metallized Glass	3198	021	31020	6524	Diode, Rect, 1N5062	3198	010	10120
3902	Res, 3K3, 5%, 1/16W, Metallized Glass	3198	021	33320	6525	Diode, Rect, 1N5062	3198	010	10120
3903	Res, 3K3, 5%, 1/16W, Metallized Glass	3198	021	33320	6526	Zener Diode, 22 volt	3198	020	52290
3904	Res, 10K, 5%, 1/16W, Metallized Glass	3198	021	31030	6540	Zener Diode, 6.2 volt.	9331	668	30133
3905	Res, 3K3, 5%, 1/16W, Metallized Glass	3198	021	33320	6541	Zener Diode, 9.1 volt.	9322	150	08685
3906	Res, 10K, 5%, 1/16W, Metallized Glass	3198	021	31030	6562	Diode, Rect, EGP20DL-5100.	9322	164	42682
3907	Res, 8K2, 5%, 1/16W, Metallized Glass	3198	021	38220	6563	Diode, Signal, BAS316.	3198	010	10630
4001	Res, Zero ohm, Chip Jumper	3198	021	90020	6565	Diode, Signal, BAV70	9331	849	10215
4002	Res, Zero ohm, Chip Jumper	3198	021	90020	6566	Diode, Signal, 1N4148.	3198	010	10010
4181	Res, Zero ohm, Chip Jumper	3198	021	90020	6568	Diode, Rect, BYW76-RAS15/10.	9322	127	32682
4214	Res, Zero ohm, Chip Jumper	3198	021	90020	6569	Diode, Signal, BAS316.	3198	010	10630
4216	Res, Zero ohm, Chip Jumper	3198	021	90020	6570	Zener Diode, 6.8 volt.	3198	020	56880
4217	Res, Zero ohm, Chip Jumper	3198	021	90020	6580	Diode, Signal, BAS316.	3198	010	10630
4470	Res, Zero ohm, Chip Jumper	3198	021	90020	6691	LED, VS LTL-10224WHCR.	9322	050	99682
4601	Res, Zero ohm, Chip Jumper	3198	021	90020	6692	IR, Receiver, TSOP1836UH3V	9322	127	54667
4613	Res, Zero ohm, Chip Jumper	3198	021	90020	6901	Res, Zero ohm, Chip Jumper	3198	021	90020
4614	Res, Zero ohm, Chip Jumper	3198	021	90020	7101	Transistor, NPN, BC847B.	3198	010	42030
4615	Res, Zero ohm, Chip Jumper	3198	021	90020	7102	Transistor, PNP, BC857B.	3198	010	42150
4617	Res, Zero ohm, Chip Jumper	3198	021	90020	7103	Transistor, NPN, BC847B.	3198	010	42030
4619	Res, Zero ohm, Chip Jumper	3198	021	90020	7200	IC, SM TDA9577H/N1/A	9352	716	20557
4622	Res, Zero ohm, Chip Jumper	3198	021	90020	7201	Transistor, NPN, BC847B.	3198	010	42030
4623	Res, Zero ohm, Chip Jumper	3198	021	90020	7204	Transistor, PNP, BC857B.	3198	010	42150
4691	Res, Zero ohm, Chip Jumper	3198	021	90020	7205	Transistor, PNP, BC857B.	3198	010	42150
4692	Res, Zero ohm, Chip Jumper	3198	021	90020	7441	Transistor, PNP, BC857B.	3198	010	42150
4693	Res, Zero ohm, Chip Jumper	3198	021	90020	7443	Transistor, PNP, BC557B.	3198	020	40110
4805	Res, Zero ohm, Chip Jumper	3198	021	90020	7450	Transistor, PNP, PDTA114ET	3198	010	44010
4808	Res, Zero ohm, Chip Jumper	3198	021	90020	7460	Transistor, NPN, BU4508DX.	9340	550	92127
4810	Res, Zero ohm, Chip Jumper	3198	021	90020	7461	Transistor, NPN, BC337-25.	3198	020	43530
4861	Res, Zero ohm, Chip Jumper	3198	021	90020	7462	Transistor, NPN, PDTCL143ZT	9340	547	00215
4863	Res, Zero ohm, Chip Jumper	3198	021	90020	7463	Transistor, PNP, BC327-25.	3198	020	43430
4901	Res, Zero ohm, Chip Jumper	3198	021	90020	7471	IC, TDA8359J/N2.	9352	701	64112
4903	Res, Zero ohm, Chip Jumper	3198	021	90020	7480	Transistor, NPN, BD135	3198	020	41010
4982	Res, Zero ohm, Chip Jumper	3198	021	90020	7482	Transistor, NPN, BD135	3198	020	41010
5001	Coil, 27u.	3198	018	22790	S 7515	Optical Coupler, TCET1104(G)	9322	175	72667
5002	Coil, 820n	3198	018	18270	7520	IC, TEA1507P/N1.	9352	673	56112
5201	Coil, 6u8.	3198	018	16880		FET, Power, 2SK2750.	9322	136	93687
5202	Coil, 10u.	3198	018	21090	7522	Transistor, NPN, BC847B(COL)	3198	010	42030
5204	Fixed, Inductor, 100MHZ, 80 ohm.	3198	018	90020	7540	Transistor, NPN, BC547B(COL)	3198	020	40030
5205	Fixed, Inductor, 100MHZ, 80 ohm.	3198	018	90020	7541	Transistor, NPN, PDTCL14ET	9340	310	10215
5206	Wire Jumper, 0.58MM.	3198	036	90010	7542	Transistor, PNP, BC857B(COL)	3198	010	42150
5241	Coil, 10u.	3198	018	21090	7560	IC, L78L33ACZ.	9322	134	92676

S = Safety Part Be sure to use exact replacement part.

20RF50S325 (continued)

9997	Wire Jumper, 0.58MM.	3198	036	90010
9998	Wire Jumper, 0.58MM.	3198	036	90010
CBA	Main Chassis Assembly.	3139	177	21191

CRT Panel Parts (Part of Main Chassis)

	CRT Panel Parts (Part of Main Chassis)			
0244	Connector, 5 Pin	2422	025	04853
0245	Connector, 6 Pin	2422	025	04854
S 0254	CRT Socket, 9 Pin.	2422	500	80076
2330	Cap, 100n, 10%, 250v, Metallized Poly ester.	2222	368	90177
2340	Cap, 10u, 20%, 250v, Electrolytic.	2020	012	93495
2341	Cap, 3n3, 10%, 500v, Ceramic	3198	019	43320
2342	Cap, 560p, 5%, 50v, Ceramic.	3198	016	05610
2343	Cap, 3n3, 10%, 2000v, Ceramic.	2020	558	90529
2344	Cap, 100n, +80/-20%, 25v, Ceramic.	3198	023	21040
2345	Cap, 1n, 10%, 500v, Ceramic.	3198	019	41020
3331	Res, 100 ohm, 5%, 1/6W, Carbon Film.	3198	011	01010
3332	Res, 1K, 20%, 1/2W, Carbon Film.	3198	013	01020
3333	Res, 100 ohm, 5%, 1/6W, Carbon Film.	3198	011	01010
3334	Res, 1K, 20%, 1/2W, Carbon Film.	3198	013	01020
3335	Res, 100 ohm, 5%, 1/6W, Carbon Film.	3198	011	01010
3336	Res, 1K, 20%, 1/2W, Carbon Film.	3198	013	01020
S 3340	Res, 10 ohm, 5%, 1/2W, Metal Film.	2306	207	03109
S 3341	Res, 1 ohm, 5%, 1/3W, Metal Film	2306	204	03108
S 3342	Res, 1 ohm, 5%, 1/3W, Metal Film	2306	204	03108
3343	Res, 1K5, 20%, 1/2W, Carbon Film	3198	013	01520
3344	Res, 22 ohm, 5%, 1/6W, Carbon Film	3198	011	02290
3345	VDR DC 1MA/ 50V S MAX 115V A	2322	593	13507
3346	Res, 22 ohm, 5%, 1/6W, Carbon Film	3198	011	02290
3347	Res, Zero ohm, Chip Jumper	3198	021	90020
3350	Res, Zero ohm, Chip Jumper	3198	021	90020
3353	Res, Zero ohm, Chip Jumper	3198	021	90020
5342	Coil, 22u.	2422	535	97333
6331	Diode, Signal, BAV21	3198	010	10070
6332	Diode, Signal, BAS316.	3198	010	10630
6333	Diode, Signal, BAV21	3198	010	10070
6335	Diode, Signal, BAV21	3198	010	10070
7330	IC, TDA6107Q/N2.	9352	576	50112
9311	Wire Jumper, 0.58MM.	3198	036	90010
9341	Wire Jumper, 0.58MM.	3198	036	90010
9342	Wire Jumper, 0.58MM.	3198	036	90010
9343	Wire Jumper, 0.58MM.	3198	036	90010

Top Control Panel Parts - 313917722631

	Top Control Panel Parts - 313917722631			
CBA	Top Control Panel Assembly	3139	177	22631
0215	3 Pin Connector.	2422	025	09191
1091	Tact Switch.	2422	128	02742
1092	Tact Switch.	2422	128	02742
1093	Tact Switch.	2422	128	02742
1094	Tact Switch.	2422	128	02742
3088	Res, Zero ohm, 'Chip' Jumper	3198	021	90030
3089	Res, Zero ohm, 'Chip' Jumper	3198	021	90030
3093	Res, 390 ohm, 1%, 1/10W, Metallized Glass	2120	108	92611
3094	Res, 180 ohm, 1%, 1/10W, Metallized Glass	2120	108	92606
3095	Res, 270 ohm, 1%, 1/10W, Metallized Glass	2120	108	92608
3096	Res, Zero ohm, 'Chip' Jumper	3198	021	90030
3097	Res, 2K7, 1%, 1/10W, Metallized Glass	2120	108	92621
3098	Res, 75 ohm, 1%, 1/10W, Metallized Glass	2120	108	91437
3099	Res, 68 ohm, 1%, 1/10W, Metallized Glass	2120	108	92603
4091	Res, Zero ohm, 'Chip' Jumper	3198	021	90020

S = Safety Part Be sure to use exact replacement part.

21PT839B85 - Manual no. 7629

Cabinet & Accessory Parts				2244			
	Cabinet & Accessory Parts						
S AC01	AC Cord	3135 010 03831	2245	Cap, 100n, 10%, 63v, Metallized Poly			
AC03	Battery, 1.5V, 2-PACK	9299 000 65263	2247	ster	2222 370 75104		
AC04	Cabinet Back Assembly	3139 124 40732	2248	Cap, 220n, +80/-20%, 16v, Ceramic	3198 023 22240		
S AC10	CRT, A51QDX992X001	9322 182 96682	2249	Cap, 1000u, 20%, 16v, Electrolytic	3198 026 21020		
S AC12	Degaussing Coil	3139 128 23841	2250	Cap, 22n, 10%, 50v, Ceramic	3198 017 02230		
AC13	Holder, Degaussing Coil (2 Used)	3135 013 01661	2252	Cap, 2u2, 20%, 50v, Electrolytic	3198 025 52280		
REMOTE	Remote Transmitter, RC19335004/01	3139 228 86462	2253	Cap, 1n, 5%, 25v, Ceramic	3198 016 31020		
AC18	Spacer, (EHT CABLE)	3139 124 17541	2254	Cap, 1n, 5%, 25v, Ceramic	3198 016 31020		
AC20	Cabinet Front Assembly f/21PT839B85	3121 237 52771	2405	Res, Zero ohm, Chip Jumper	3198 021 90020		
AC20a	Cabinet Front	3139 138 13741	2441	Cap, 220u, 20%, 16v, Electrolytic	3198 025 22210		
AC20b	Chassis Guide	3139 124 37561	2443	Cap, 1u, 20%, 50v, Electrolytic	3198 025 51080		
AC20d	Light Guide	3139 124 41241	2444	Cap, 47n, +80/-20%, 50v, Ceramic	3198 017 24730		
AC20e	Nameplate	3139 120 01371	2450	Cap, 1u, 20%, 50v, Electrolytic	3198 025 51080		
AC20f	Power Button	3139 138 13871	2452	Cap, 47u, 20%, 160v, Electrolytic	2020 021 91139		
AC20j	Speaker, Full Range, 16ohm, 5W (2 Use d)	2422 264 00411	2455	Cap, 180p, 5%, 50v, Ceramic	3198 016 01810		
AC20k	Top Control Panel	3139 177 22631	2457	Cap, 47u, 20%, 25v, Electrolytic	3198 025 34790		
AC20k1	Top Control Bracket	3139 124 33941	2458	Cap, 270n, 5%, 250v, Polypropylene	2222 479 90016		
AC20k2	Top Control Button	3139 124 30391	2459	Cap, 2u2, 20%, 100v, Electrolytic	2020 021 91331		
AC20k3	Top Control Cover	3139 124 31131	2460	Cap, 680p, 10%, 500v, Ceramic	3198 019 46810		
S AC21	Deflection Yoke, ITC (Supplied with C RT)	000- -- --	2463	Cap, 100p, 5%, 50v, Ceramic	3198 016 01010		
			2465	Cap, 390p, 10%, 2000v, Ceramic	2020 558 90482		
			2467	Cap, 9n1, 5%, 1600v, Polypropylene	2222 375 90153		
			2468	Cap, 15n, 10%, 400v, Polyester	2222 347 90219		
			2471	Cap, 33n, 10%, 400v, Polyester	2222 347 90227		
			2472	Cap, 100n, 10%, 50v, Polyester	3198 014 01040		
				Cap, 10n, 10%, 100v, Metallized Poly			
				ster	2222 365 85103		
				Cap, 100n, 10%, 63v, Metallized Poly			
				ster	2222 365 75104		
				Cap, 2n2, 10%, 50v, Ceramic	3198 017 02220		
				Cap, 2n2, 10%, 50v, Ceramic	3198 017 02220		
				Cap, 4n7, 10%, 50v, Ceramic	3198 017 04720		
				Cap, 47u, 20%, 25v, Electrolytic	2020 021 90586		
				Cap, 470p, 10%, 500v, Ceramic	3198 019 44710		
				Cap, 33n, 10%, 250v, Polyester	2222 347 90213		
				Cap, 4u7, 20%, 250v, Electrolytic	2020 021 90856		
				Cap, 470u, 20%, 16v, Electrolytic	2020 021 91577		
				Cap, 47u, 20%, 50v, Electrolytic	2020 021 90854		
				Cap, 1000u, 20%, 16v, Electrolytic	2020 021 91049		
				Cap, 470u, 20%, 16v, Electrolytic	2020 021 91577		
				Cap, 1n, 10%, 500v, Ceramic	3198 019 41020		
				Cap, 470n, 20%, 275v, Metallized Poly			
				propylene	2222 336 29148		
				Cap, 2n2, 10%, 1000v, Ceramic	3198 019 52220		
				Cap, 2n2, 10%, 1000v, Ceramic	3198 019 52220		
				Cap, 220u, 20%, 200v, Electrolytic	2020 024 90585		
				Cap, 2n2, 10%, 1000v, Ceramic	3198 019 52220		
				Cap, 470p, 10%, 50v, Ceramic	3198 017 04710		
				Cap, 470p, 10%, 1000v, Ceramic	3198 019 64710		
				Cap, 1n5, 20%, v, Ceramic	2020 554 90128		
				Cap, 10n, 10%, 50v, Ceramic	3198 017 01030		
				Cap, 22u, 20%, 50v, Electrolytic	3198 025 52290		
				Cap, 100n, 10%, 16v, Ceramic	3198 017 01040		
				Cap, 1n5, 10%, 2000v, Ceramic	2020 558 90489		
				Cap, 470p, 10%, 50v, Ceramic	3198 017 04710		
				Cap, 470n, +80/-20%, 16v, Ceramic	3198 017 24740		
				Cap, 2n2, 10%, 50v, Ceramic	3198 017 02220		
				Cap, 1n, 10%, 50v, Ceramic	3198 017 01020		
				Cap, 10n, 10%, 50v, Ceramic	3198 017 01030		
				Cap, 10n, 10%, 50v, Ceramic	3198 017 01030		
				Cap, 680p, 10%, 1000v, Ceramic	2020 558 90472		
				Cap, 47u, 20%, 160v, Electrolytic	2020 021 91358		
				Cap, 1n, 10%, 50v, Ceramic	3198 019 11020		
				Cap, 100n, 10%, 50v, Polyester	3198 014 01040		
				Cap, 2u2, 20%, 25v, Electrolytic	2020 021 91353		
				Cap, 470u, 20%, 6.3v, Electrolytic	3198 025 04710		
				Cap, 47u, 20%, 25v, Electrolytic	3198 025 34790		
				Cap, 1u, 20%, 50v, Electrolytic	3198 025 51080		
				Cap, 47u, 20%, 16v, Electrolytic	3198 028 24790		
				Cap, 22u, 20%, 50v, Electrolytic	3198 025 52290		
				Cap, 220n, +80/-20%, 25v, Ceramic	3198 023 22240		
				Cap, 100p, 5%, 50v, Ceramic	3198 016 01010		
				Cap, 1n, 10%, 50v, Ceramic	3198 017 01020		
				Cap, 33p, 5%, 50v, Ceramic	3198 016 33390		
				Cap, 1u, +80/-20%, 10v, Ceramic	3198 017 41050		
				Cap, 68p, 5%, 50v, Ceramic	3198 016 06890		
				Cap, 68p, 5%, 50v, Ceramic	3198 016 06890		
				Cap, 1n, 10%, 50v, Ceramic	3198 017 01020		
				Cap, 1u, +80/-20%, 10v, Ceramic	3198 017 41050		
				Cap, 1u, +80/-20%, 16v, Ceramic	3198 017 21050		
				Cap, 10u, 20%, 50v, Electrolytic	3198 025 51090		
				Cap, 2u2, +80/-20%, 10v, Ceramic	3198 017 22250		
				Cap, 2u2, +80/-20%, 10v, Ceramic	3198 017 22250		
				Cap, 220n, +80/-20%, 16v, Ceramic	3198 017 42240		
				Cap, 2u2, +80/-20%, 10v, Ceramic	3198 017 22250		
				Cap, 2u2, 20%, 50v, Electrolytic	3198 025 52280		
				Cap, 2u2, 20%, 50v, Electrolytic	3198 025 52280		
				Cap, 2u2, +80/-20%, 10v, Ceramic	3198 017 22250		
				Cap, 3n3, 10%, 50v, Ceramic	3198 017 03320		

S = Safety Part. Be sure to use exact replacement part.

21PT839B85 (continued)

2868	Cap, 150p, 5%, 50v, Ceramic.	3198 016 31510	3251	Res, 100 ohm, 5%, 1/6W, Carbon Film.	3198 011 01010
2869	Cap, 47n, 10%, 50v, Polyester.	3198 014 04730	3256	Res, 1k, 5%, Carbon.	3198 021 51020
2870	Cap, 47n, 10%, 50v, Polyester.	3198 014 04730	3257	Res, 10M, 5%, 1/10W, Metallized Glass	3198 021 51060
2871	Cap, 150p, 5%, 50v, Ceramic.	3198 016 31510	3258	Res, 330K, 5%, 1/10W, Metallized Glas	3198 021 53340
2872	Cap, 3n3, 10%, 50v, Ceramic.	3198 017 03320	3259	Res, 470K, 5%, 1/10W, Metallized Glas	3198 021 54740
2873	Cap, 2u2, +80/-20%, 10v, Ceramic.	3198 017 22250	3441	Res, 100 ohm, 5%, 1/10W, Metallized G lass	3198 021 51010
2874	Cap, 100u, 20%, 25v, Electrolytic.	3198 025 31010	3442	Res, Zero ohm, Chip Jumper	3198 021 90020
2875	Cap, 100u, 20%, 25v, Electrolytic.	3198 025 31010	3443	Res, 1M, 5%, 1/10W, Metallized Glass	3198 021 51050
2876	Cap, 4u7, 20%, 50v, Electrolytic.	3198 025 54780	3445	Res, 15K, 5%, 1/6W, Carbon Film.	3198 011 01530
2877	Cap, 10u, 20%, 50v, Electrolytic.	3198 025 51090	3446	Res, 5K6, 5%, 1/6W, Carbon Film.	3198 011 05620
2878	Cap, 1u, 20%, 50v, Electrolytic.	3198 025 51080	3447	Res, 180 ohm, 5%, 1/6W, Carbon Film.	3198 011 01810
2879	Cap, 4n7, 10%, 50v, Ceramic.	3198 017 34720	3448	Res, 820 ohm, 5%, 1/6W, Carbon Film.	3198 011 08210
2880	Cap, 22n, 10%, 25v, Ceramic.	3198 017 32230	3449	Res, 68 ohm, 5%, 1/6W, Carbon Film.	3198 011 06890
2883	Cap, 470u, 20%, 16v, Electrolytic.	3198 025 24710	3450	Res, 33 ohm, 5%, 1/6W, Carbon Film.	3198 011 03390
2884	Cap, 2u2, 20%, 50v, Electrolytic.	3198 025 52280	S 3451	Res, 10 ohm, 5%, 1/3W, Metal Film.	2306 204 03109
2885	Cap, 220n, 10%, 50v, Polyester.	3198 014 02240	3452	Res, 5K1, 1%, 3/5W, Metal Film.	2312 915 15102
2886	Cap, 220n, +80/-20%, 16v, Ceramic.	3198 017 42240	3453	Res, 1K, 5%, 1/6W, Carbon Film.	3198 011 01020
2892	Res, Zero ohm, Chip Jumper	3198 021 90020	3454	Res, 2K, 1%, 3/5W, Metal Film.	2312 915 12002
2893	Res, Zero ohm, Chip Jumper	3198 021 90020	3455	Res, 6R8, 5%, 1 1/3W, Metal Film.	3198 012 26880
2902	Cap, 1000u, 20%, 16v, Electrolytic.	3198 026 21020	3456	Res, Zero ohm, Chip Jumper	3198 021 90020
2903	Cap, 1u, 20%, 50v, Electrolytic.	3198 025 51080	3457	Res, Zero ohm, Chip Jumper	3198 021 90020
2904	Cap, 470n, +80/-20%, 16v, Ceramic.	3198 017 24740	3458	Res, 1K, 5%, 1/6W, Carbon Film.	3198 011 01020
2905	Cap, 1n, 10%, 50v, Ceramic.	3198 017 01020	3459	Res, 15K, 5%, 1 1/3W, Metal Film.	3198 012 21530
2906	Cap, 470n, +80/-20%, 16v, Ceramic.	3198 017 24740	3460	Res, 3K9, 5%, 1/6W, Carbon Film.	3198 011 03920
2907	Cap, 1n, 10%, 50v, Ceramic.	3198 017 01020	3463	Res, 33 ohm, 5%, 1/6W, Carbon Film.	3198 011 03390
2908	Cap, 10u, 20%, 50v, Electrolytic.	3198 025 51090	3465	Res, 27K, 1%, 3/5W, Metal Film.	2312 915 12703
2910	Cap, 3n3, 10%, 50v, Ceramic.	3198 017 03320	3469	Res, 3K3, 5%, 1/6W, Carbon Film.	3198 011 03320
2911	Cap, 3n3, 10%, 50v, Ceramic.	3198 017 03320	3470	Res, 270K, 5%, 1/8W, Metallized Glass	2322 730 61274
2950	Cap, 330p, 5%, 50v, Ceramic.	3198 016 33310	3471	Res, 6R8, 1%, 3/5W, Metal Film.	2312 915 16808
3000	Res, 100 ohm, 5%, 1/6W, Carbon Film.	3198 011 01010	3472	Res, 6R8, 1%, 3/5W, Metal Film.	2312 915 16808
3001	Res, 100 ohm, 5%, 1/6W, Carbon Film.	3198 011 01010	3473	Res, 3R9, 1%, 3/5W, Metal Film.	2312 915 13908
3002	Res, Zero ohm, Chip Jumper	3198 021 90020	3474	Res, 2K2, 1%, 3/5W, Metal Film.	2312 915 12202
3003	Res, 1K5, 5%, 1/16W, Metallized Glass	3198 021 31520	3475	Res, 2K2, 1%, 3/5W, Metal Film.	2312 915 12202
3004	Res, 8K2, 5%, 1/16W, Metallized Glass	3198 021 38220	3477	Res, 150 ohm, 5%, 1/6W, Carbon Film.	3198 011 01510
3005	Res, 100 ohm, 5%, 1/6W, Carbon Film.	3198 011 01010	3478	Res, 150 ohm, 5%, 1/6W, Carbon Film.	3198 011 01510
3101	Res, 68 ohm, 5%, 1/6W, Carbon Film.	3198 011 06890	3479	Res, 2K7, 5%, 1/10W, Metallized Glass	3198 021 52720
3102	Res, 1K, 5%, 1/16W, Metallized Glass	3198 021 31020	3481	Res, 18K, 1%, 3/5W, Metal Film.	2312 915 11803
3103	Res, 150 ohm, 5%, 1/6W, Carbon Film.	3198 011 01510	3482	Res, 12k, 1%, Metal Film.	2312 915 11203
3104	Res, 220K, 5%, 1/16W, Metallized Glas	3198 021 32240	3484	Res, 3K9, 5%, 1/6W, Carbon Film.	3198 011 03920
3105	Res, 150 ohm, 5%, 1/6W, Carbon Film.	3198 011 01510	3488	Res, 4R7, 5%, 1/2W, Metal Film.	2306 207 03478
3106	Res, 220K, 5%, 1/16W, Metallized Glas	3198 021 32240	3490	Res, 8K2, 5%, 1/6W, Carbon Film.	3198 011 08220
3111	Res, 75 ohm, 5%, 1/6W, Carbon Film.	3198 011 07590	3491	Res, 10k, 5%, Carbon.	3198 021 51030
3112	Res, 100 ohm, 5%, 1/6W, Carbon Film.	3198 011 01010	3492	Res, 820 ohm, 5%, 1/10W, Metallized G lass	3198 021 58210
3113	Res, 75 ohm, 5%, 1/6W, Carbon Film.	3198 011 07590	3493	Res, 6R8, 5%, 1/3W, Metal Film.	2306 204 03688
3114	Res, 100 ohm, 5%, 1/6W, Carbon Film.	3198 011 01010	3494	Res, 4R7, 5%, 1/2W, Metal Film.	2306 207 03478
3115	Res, 75 ohm, 5%, 1/6W, Carbon Film.	3198 011 07590	3495	Res, 22k, 5%, Carbon.	3198 021 52230
3116	Res, 100 ohm, 5%, 1/6W, Carbon Film.	3198 011 01010	3496	Res, 100K, 5%, 1/10W, Metallized Glas	3198 021 51040
3122	Wire Jumper, 0.58MM.	3198 036 90010	3497	Res, 100K, 5%, 1/10W, Metallized Glas	3198 021 51040
3123	Res, 150 ohm, 5%, 1/6W, Carbon Film.	3198 011 01510	3498	Res, 12K, 5%, 1/10W, Metallized Glass	3198 021 51230
3124	Res, 47K, 5%, 1/16W, Metallized Glass	3198 021 34730	S 3500	Res, 3M3, 5%, 1/2W, Metallized Glass	2322 242 13335
3125	Res, 150 ohm, 5%, 1/6W, Carbon Film.	3198 011 01510	S 3501	Res, 3M3, 5%, 1/2W, Metallized Glass	2322 242 13335
3126	Res, 47K, 5%, 1/16W, Metallized Glass	3198 021 34730	3504	Res, 3 ohm, +30%/-20%, 144v, PTC, Car bon Film.	2122 663 00019
3149	Res, 100K, 5%, 1/16W, Metallized Glas	3198 021 31040	S 3506	Res, 1M5, 5%, 1/2W, Metallized Glass	2322 242 13155
3150	Res, 150K, 5%, 1/16W, Metallized Glas	3198 021 31540	S 3507	Surge Protector, DSP-301N-A21F A.	2422 549 43073
3154	Res, 5K6, 5%, 1/6W, Carbon Film.	3198 011 05620	S 3508	Res, 220 ohm, 20%, 1/2W, Carbon Film	3198 013 02210
3156	Res, 10K, 5%, 1/6W, Carbon Film.	3198 011 01030	3519	Res, 270 ohm, 5%, 1/6W, Carbon Film.	3198 011 02710
3157	Res, 1K5, 5%, 1/16W, Metallized Glass	3198 021 31520	3520	Res, 1K2, 5%, 1/10W, Metallized Glass	3198 021 51220
3158	Res, 10K, 5%, 1/16W, Metallized Glass	3198 021 31030	3521	Res, 4R7, 5%, 1/6W, Carbon Film.	3198 011 04780
3159	Res, 1K2, 1%, 1/10W, Metallized Glass	2120 108 92616	3522	Res, 330K, 5%, 1/10W, Metallized Glas	3198 021 53340
3200	Res, 390 ohm, 5%, 1/6W, Carbon Film.	3198 011 03910	S 3523	Res, 100 ohm, 5%, 1/3W, Metal Film.	2306 204 03101
3201	Res, 100 ohm, 5%, 1/6W, Carbon Film.	3198 011 01010	3524	Res, 56K, 5%, 1/10W, Metallized Glass	3198 021 55630
3202	Res, 100 ohm, 5%, 1/6W, Carbon Film.	3198 011 01010	3525	Res, 1k, 5%, Carbon.	3198 021 51020
3203	Res, 100 ohm, 5%, 1/6W, Carbon Film.	3198 011 01010	3526	Res, 0R15, 5%, 3/5W, Metal Film.	3198 012 11570
3204	Res, 22K, 5%, 1/6W, Carbon Film.	3198 011 02230	3528	Res, 10 ohm, 5%, 1/10W, Metallized Gl ass.	3198 021 51090
3205	Res, 1k, 5%, Carbon.	3198 021 51020	3529	Res, 47K, 5%, 1/10W, Metallized Glass	3198 021 54730
3206	Res, 33K, 5%, 1/10W, Metallized Glass	3198 021 53330	3530	Res, 10k, 5%, Carbon.	3198 021 51030
3207	Res, 1K, 5%, 1/6W, Carbon Film.	3198 011 01020	3531	Res, 4K7, 5%, 1/10W, Metallized Glass	3198 021 54720
3208	Res, 220 ohm, 5%, 1/16W, Metallized G lass	3198 021 32210	S 3532	Res, 2K2, 5%, 1/3W, Metal Film.	2306 204 03222
3209	Res, 68 ohm, 5%, 1/16W, Metallized Gl ass.	3198 021 36890	3541	Res, 470 ohm, 5%, 1/10W, Metallized G lass	3198 021 54710
3212	Res, 470 ohm, 5%, 1/16W, Metallized G lass	3198 021 34710	3542	Res, 1K5, 5%, 1/10W, Metallized Glass	3198 021 51520
3213	Res, 560 ohm, 5%, 1/6W, Carbon Film.	3198 011 05610	3543	Res, 82K, 1%, 3/5W, Metal Film.	2312 915 18203
3217	Res, 330K, 5%, 1/16W, Metallized Glas	3198 021 33340	3544	Res, 4K7, 1%, 1/8W, Metallized Glass	2322 734 64702
3218	Res, 82K, 5%, 1/16W, Metallized Glass	3198 021 38230	3545	Res, 270K, 5%, 1/8W, Metallized Glass	2322 730 61274
3219	Res, 2K2, 5%, 1/16W, Metallized Glass	3198 021 32220	3548	Res, 15K, 5%, 1/10W, Metallized Glass	3198 021 51530
3220	Res, 100 ohm, 5%, 1/6W, Carbon Film.	3198 011 01010	3552	Res, 10k, 5%, Carbon.	3198 021 51030
3221	Res, 560 ohm, 5%, 1/6W, Carbon Film.	3198 011 05610	3557	Res, 1k, 5%, Carbon.	3198 021 51020
3222	Res, 100 ohm, 5%, 1/6W, Carbon Film.	3198 011 01010	3560	Res, 47 ohm, 5%, 1/6W, Carbon Film.	3198 011 04790
3226	Res, 560 ohm, 5%, 1/16W, Metallized G lass	3198 021 35610	3561	Res, 100 ohm, 5%, 1/6W, Carbon Film.	3198 011 01010
3232	Res, 2K2, 5%, 1/16W, Metallized Glass	3198 021 32220	3562	Res, 12K, 5%, 1/10W, Metallized Glass	3198 021 51230
3235	Res, 100 ohm, 5%, 1/6W, Carbon Film.	3198 011 01010	3563	Res, 8K2, 5%, 1/10W, Metallized Glass	3198 021 58220
3241	Res, 22K, 5%, 1/16W, Metallized Glass	3198 021 32230	3564	Res, 0R1, 5%, 1 1/3W, Metal Film.	3198 012 21070
3242	Res, 12K, 5%, 1/10W, Metallized Glass	3198 021 51230	3565	Res, 330 ohm, 5%, 1W, Metal Film.	3198 012 13310
3244	Res, 820 ohm, 5%, 1/6W, Carbon Film.	3198 011 08210	3566	Res, 2K2, 5%, 1/10W, Metallized Glass	3198 021 52220
3245	Res, 39K, 5%, 1/10W, Metallized Glass	3198 021 53930	3567	Res, 1K8, 5%, 1/16W, Metallized Glass	3198 021 31820
3246	Res, 10k, 5%, Carbon.	3198 021 51030	3568	Res, 8K2, 5%, 1/10W, Metallized Glas	3198 021 58220
3247	Res, 270K, 5%, 1/10W, Metallized Glas	2120 108 91725	3569	Res, 5K6, 5%, 1/10W, Metallized Glass	3198 021 55620
3248	Res, 33K, 5%, 1/10W, Metallized Glass	3198 021 53330	3580	Res, 47K, 5%, 1/10W, Metallized Glass	3198 021 54730
3249	Res, 820 ohm, 5%, 1/6W, Carbon Film.	3198 011 08210			

S = Safety Part. Be sure to use exact replacement part.

21PT839B85 (continued)

3594	Res, 220 ohm, 5%, Carbon	3198 021 52210	S 5445	Transformer, LOT, JF0501-19196 B . .	2422 531 02519
3595	Res, 220K, 5%, 1/10W, Metallized Glas	3198 021 52240	5452	Fixed, Inductor, 100MHZ, 80 ohm. . .	3198 018 90020
3596	Res, 220K, 5%, 1/10W, Metallized Glas	3198 021 52240	5453	Coil, 22u.	3198 018 12290
3603	Res, 100 ohm, 5%, 1/6W, Carbon Film.	3198 011 01010	5457	Coil, Linear Correction, 82u, PSL12-1	
3604	Res, 100 ohm, 5%, 1/6W, Carbon Film.	3198 011 01010		02A B.	2422 536 00425
3605	Res, 4K7, 5%, 1/16W, Metallized Glass	3198 021 34720	5461	Transformer, Signal Driver, SCI0015-0	
3606	Res, 2K2, 5%, 1/6W, Carbon Film. . .	3198 011 02220		0 B.	2422 531 02465
3607	Res, 2K2, 5%, 1/6W, Carbon Film. . .	3198 011 02220	5471	Coil, 3u3.	3198 018 73380
3608	Res, 100 ohm, 5%, 1/6W, Carbon Film.	3198 011 01010	5472	Coil, 3u3.	3198 018 23380
3611	Res, 100 ohm, 5%, 1/16W, Metallized G		5480	Coil, 18u.	2422 535 97332
	lass	3198 021 31010	S 5501	AC Filter, 22MH 0A9 DMF2422 B. . . .	2422 549 43056
3618	Res, 6K8, 5%, 1/6W, Carbon Film. . .	3198 011 06820	S 5520	Transformer, SMT Layer, SS35107-01 B	2422 531 02536
3622	Res, 100 ohm, 5%, 1/10W, Metallized G		5521	Fixed, Inductor, 100MHZ, 50R.	3198 018 90010
	lass	3198 021 51010	5560	Fixed, Inductor, 100MHZ, 50R.	3198 018 90010
3623	Res, 4K7, 5%, 1/16W, Metallized Glass	3198 021 34720	5561	Coil, 27u.	3198 018 22790
3624	Res, 100 ohm, 5%, 1/6W, Carbon Film.	3198 011 01010	5562	Fixed, Inductor, 100MHZ, 50R.	3198 018 90010
3625	Res, 100 ohm, 5%, 1/6W, Carbon Film.	3198 011 01010	5564	Fixed, Inductor, 100MHZ, 50R.	3198 018 90010
3626	Res, 4K7, 5%, 1/16W, Metallized Glass	3198 021 34720	5602	Coil, 5u6.	3198 018 15680
3627	Res, 4K7, 5%, 1/16W, Metallized Glass	3198 021 34720	5603	Coil, 5u6.	3198 018 15680
3628	Res, 10K, 5%, 1/16W, Metallized Glass	3198 021 31030	5604	Coil, 5u6.	3198 018 15680
3630	Res, 2K2, 5%, 1/16W, Metallized Glass	3198 021 32220	5861	Coil, 10u.	3198 018 11090
3632	Res, Zero ohm, Chip Jumper	3198 021 90020	6001	Zener Diode, 33 volt	3198 010 23390
3634	Res, 100 ohm, 5%, 1/6W, Carbon Film.	3198 011 01010	6150	Diode, Signal, BAS316.	3198 010 10630
3636	Res, 100 ohm, 5%, 1/10W, Metallized G		6201	Diode, Signal, BAS316.	3198 010 10630
	lass	3198 021 51010	6202	Diode, Signal, BAS316.	3198 010 10630
3638	Res, 75 ohm, 5%, 1/16W, Metallized GI		6206	Zener Diode, 6.8 volt.	3198 020 56880
	ass.	3198 021 37590	6445	Zener Diode, 10 volt	3198 020 51090
3639	Res, Zero ohm, Chip Jumper	3198 021 90020	6447	Diode, Signal, 1N4148.	3198 010 10010
3685	Res, 1K5, 1%, 1/10W, Metallized Glass	2120 108 92617	6448	Zener Diode, 6.2 volt.	9331 668 30133
3691	Res, 330 ohm, 5%, 1/16W, Metalized G		6449	Diode, Signal, BAV99	3198 010 10620
	lass	3198 021 33310	6453	Zener Diode, 5.6 volt.	3198 020 55680
3693	Res, 220 ohm, 5%, 1/16W, Metallized G		6460	Diode, Rect, BY228/24.	9340 559 50112
	lass	3198 021 32210	6461	Diode, Rect, RGP30J-L7004.	9338 617 60682
3694	Res, 4K7, 5%, 1/16W, Metallized Glass	3198 021 34720	6463	Zener Diode, 9.1 volt.	9322 150 08685
3861	Res, 100K, 5%, 1/16W, Metallized Glas	3198 021 31040	6465	Diode, Signal, BAV21	3198 010 10070
3862	Res, 15K, 5%, 1/16W, Metallized Glass	3198 021 31530	6466	Diode, Signal, BAV21	3198 010 10070
3863	Res, 1K2, 5%, 1/16W, Metallized Glass	3198 021 31220	6468	Diode, Signal, BAS316.	3198 010 10630
3864	Res, 100 ohm, 5%, 1/16W, Metallized G		6470	Diode, Signal, BAV99	3198 010 10620
	lass	3198 021 31010	6476	Zener Diode, 15 volt	3198 010 21590
3865	Res, 100 ohm, 5%, 1/6W, Carbon Film.	3198 011 01010	6481	Zener Diode, 5.6 volt.	3198 010 25680
3866	Res, 100 ohm, 5%, 1/6W, Carbon Film.	3198 011 01010	6482	Zener Diode, 9.1 volt.	9331 177 80133
3867	Res, 3K3, 5%, 1/16W, Metallized Glass	3198 021 33320	6483	Zener Diode, 33 volt	3198 010 23390
3891	Res, 100 ohm, 5%, 1/16W, Metallized G		6485	Diode, Rect, BYD33J	9337 234 20133
	lass	3198 021 31010	6486	Diode, Rect, EGP20DL-5100.	9322 164 42682
3893	Res, 270 ohm, 5%, 1/16W, Metallized G		6487	Diode, Rect, BYD33D	9337 234 00133
	lass	3198 021 32710	6488	Diode, Rect, EGP20DL-5100.	9322 164 42682
3894	Res, 100 ohm, 5%, 1/16W, Metallized G		6500	Diode, Bridge Rect, GBU4JL-7002. . . .	9322 132 55667
	lass	3198 021 31010	6520	Diode, Rect, BYD33D	9337 234 00133
3896	Res, 270 ohm, 5%, 1/16W, Metallized G		6522	Zener Diode, 20 volt	9322 150 13685
	lass	3198 021 32710	6523	Diode, Signal, 1N4148.	3198 010 10010
3901	Res, 1K, 5%, 1/16W, Metallized Glass	3198 021 31020	6524	Diode, Rect, 1N5062	3198 010 10120
3902	Res, 3K3, 5%, 1/16W, Metallized Glass	3198 021 33320	6525	Diode, Rect, 1N5062	3198 010 10120
3903	Res, 3K3, 5%, 1/16W, Metallized Glass	3198 021 33320	6526	Zener Diode, 22 volt	3198 020 52290
3904	Res, 10K, 5%, 1/16W, Metallized Glass	3198 021 31030	6540	Zener Diode, 6.2 volt.	9331 668 30133
3905	Res, 3K3, 5%, 1/16W, Metallized Glass	3198 021 33320	6541	Zener Diode, 9.1 volt.	9322 150 08685
3906	Res, 10K, 5%, 1/16W, Metallized Glass	3198 021 31030	6562	Diode, Rect, EGP20DL-5100.	9322 164 42682
3907	Res, 8K2, 5%, 1/16W, Metallized Glass	3198 021 38220	6563	Diode, Signal, BAS316.	3198 010 10630
4001	Res, Zero ohm, Chip Jumper	3198 021 90020	6565	Diode, Signal, BAV70	9331 849 10215
4002	Res, Zero ohm, Chip Jumper	3198 021 90020	6566	Diode, Signal, 1N4148.	3198 010 10010
4181	Res, Zero ohm, Chip Jumper	3198 021 90020	6568	Diode, Rect, BYW76-RAS15/10.	9322 127 32682
4214	Res, Zero ohm, Chip Jumper	3198 021 90020	6569	Diode, Signal, BAS316.	3198 010 10630
4216	Res, Zero ohm, Chip Jumper	3198 021 90020	6570	Zener Diode, 6.8 volt.	3198 020 56880
4217	Res, Zero ohm, Chip Jumper	3198 021 90020	6580	Diode, Signal, BAS316.	3198 010 10630
4470	Res, Zero ohm, Chip Jumper	3198 021 90020	6691	LED, VS LTL-10224WHCR	9322 050 99682
4601	Res, Zero ohm, Chip Jumper	3198 021 90020	6692	IR, Receiver, TSOP1836UH3V	9322 127 54667
4613	Res, Zero ohm, Chip Jumper	3198 021 90020	6901	Res, Zero ohm, Chip Jumper	3198 021 90020
4614	Res, Zero ohm, Chip Jumper	3198 021 90020	7101	Transistor, NPN, BC847B.	3198 010 42030
4615	Res, Zero ohm, Chip Jumper	3198 021 90020	7102	Transistor, PNP, BC857B.	3198 010 42150
4617	Res, Zero ohm, Chip Jumper	3198 021 90020	7103	Transistor, NPN, BC847B.	3198 010 42030
4619	Res, Zero ohm, Chip Jumper	3198 021 90020	7200	IC, SM TDA9577H/N1/A	9352 716 20557
4622	Res, Zero ohm, Chip Jumper	3198 021 90020	7201	Transistor, NPN, BC847B.	3198 010 42030
4623	Res, Zero ohm, Chip Jumper	3198 021 90020	7204	Transistor, PNP, BC857B.	3198 010 42150
4691	Res, Zero ohm, Chip Jumper	3198 021 90020	7205	Transistor, PNP, BC857B.	3198 010 42150
4692	Res, Zero ohm, Chip Jumper	3198 021 90020	7441	Transistor, PNP, BC857B.	3198 010 42150
4693	Res, Zero ohm, Chip Jumper	3198 021 90020	7443	Transistor, PNP, BC857B.	3198 020 40110
4805	Res, Zero ohm, Chip Jumper	3198 021 90020	7450	Transistor, PNP, PDTA114ET	3198 010 44010
4808	Res, Zero ohm, Chip Jumper	3198 021 90020	7460	Transistor, NPN, BU4508DX.	9340 550 92127
4810	Res, Zero ohm, Chip Jumper	3198 021 90020	7461	Transistor, NPN, BC337-25.	3198 020 43530
4861	Res, Zero ohm, Chip Jumper	3198 021 90020	7462	Transistor, NPN, PDTCL43ZT	9340 547 00215
4863	Res, Zero ohm, Chip Jumper	3198 021 90020	7463	Transistor, PNP, BC327-25.	3198 020 43430
4901	Res, Zero ohm, Chip Jumper	3198 021 90020	7471	IC, TDA8359J/N2.	9352 701 64112
4903	Res, Zero ohm, Chip Jumper	3198 021 90020	7480	Transistor, NPN, BD135	3198 020 41010
4982	Res, Zero ohm, Chip Jumper	3198 021 90020	7482	Transistor, NPN, BD135	3198 020 41010
5001	Coil, 27u.	3198 018 22790	S 7515	Optical Coupler, TCET1104(G)	9322 175 26667
5002	Coil, 820n	3198 018 18270	7520	IC, TEA1507P/N1.	9352 673 56112
5201	Coil, 6u8.	3198 018 16880	7521	FET, Power, 2SK2750.	9322 136 93687
5202	Coil, 10u.	3198 018 21090	7522	Transistor, NPN, BC847B(COL)	3198 010 42030
5204	Fixed, Inductor, 100MHZ, 80 ohm. . .	3198 018 90020	7540	Transistor, NPN, BC547B(COL)	3198 020 40030
5205	Fixed, Inductor, 100MHZ, 80 ohm. . .	3198 018 90020	7541	Transistor, NPN, PDTCL14ET	9340 310 10215
5206	Wire Jumper, 0.58MM.	3198 036 90010	7542	Transistor, PNP, BC857B(COL)	3198 010 42150
5241	Coil, 10u.	3198 018 21090	7560	IC, L78L33ACZ.	9322 134 92676
5242	Coil, 10u.	3198 018 11090	7561	Transistor, NPN, PDTCL43ZT	9340 547 00215

S = Safety Part Be sure to use exact replacement part.

21PT839B85 (continued)

9998 Wire Jumper, 0.58MM. 3198 036 90010
 CBA Main Chassis Assembly. 3139 177 21291

CRT Panel Parts (Part of Main Chassis)

CRT Panel Parts (Part of Main Chassis)
 0244 Connector, 5 Pin 2422 025 04853
 0245 Connector, 6 Pin 2422 025 04854
 S 0254 CRT Socket, 9 Pin. 2422 500 80076
 2330 Cap, 100n, 10%, 250v, Metallized Poly
 ester. 2222 368 90177
 2340 Cap, 10u, 20%, 250v, Electrolytic. 2020 012 93495
 2341 Cap, 3n3, 10%, 500v, Ceramic 3198 019 43320
 2342 Cap, 560p, 5%, 50v, Ceramic. 3198 016 05610
 2343 Cap, 3n3, 10%, 2000v, Ceramic. 2020 558 90529
 2344 Cap, 100n, +80/-20%, 25v, Ceramic. 3198 023 21040
 2345 Cap, 1n, 10%, 500v, Ceramic. 3198 019 41020
 3331 Res, 100 ohm, 5%, 1/6W, Carbon Film. 3198 011 01010
 3332 Res, 1K, 20%, 1/2W, Carbon Film. 3198 013 01020
 3333 Res, 100 ohm, 5%, 1/6W, Carbon Film. 3198 011 01010
 3334 Res, 1K, 20%, 1/2W, Carbon Film. 3198 013 01020
 3335 Res, 100 ohm, 5%, 1/6W, Carbon Film. 3198 011 01010
 3336 Res, 1K, 20%, 1/2W, Carbon Film. 3198 013 01020
 S 3340 Res, 10 ohm, 5%, 1/2W, Metal Film. 2306 207 03109
 S 3341 Res, 1 ohm, 5%, 1/3W, Metal Film 2306 204 03108
 S 3342 Res, 1 ohm, 5%, 1/3W, Metal Film 2306 204 03108
 3343 Res, 1K5, 20%, 1/2W, Carbon Film 3198 013 01520
 3344 Res, 22 ohm, 5%, 1/6W, Carbon Film 3198 011 02290
 3345 VDR DC 1MA/ 50V S MAX 115V A 2322 593 13507
 3346 Res, 22 ohm, 5%, 1/6W, Carbon Film 3198 011 02290
 3347 Res, Zero ohm, Chip Jumper 3198 021 90020
 3350 Res, Zero ohm, Chip Jumper 3198 021 90020
 3353 Res, Zero ohm, Chip Jumper 3198 021 90020
 5342 Coil, 22u. 2422 535 97333
 6331 Diode, Signal, BAV21 3198 010 10070
 6332 Diode, Signal, BAS316. 3198 010 10630
 6333 Diode, Signal, BAV21 3198 010 10070
 6335 Diode, Signal, BAV21 3198 010 10070
 7330 IC, TDA6107Q/N2. 9352 576 50112
 9311 Wire Jumper, 0.58MM. 3198 036 90010
 9341 Wire Jumper, 0.58MM. 3198 036 90010
 9342 Wire Jumper, 0.58MM. 3198 036 90010
 9343 Wire Jumper, 0.58MM. 3198 036 90010

Top Control Panel Parts - 313917722631

Top Control Panel Parts - 313917722631
 CBA Top Control Panel Assembly 3139 177 22631
 0215 3 Pin Connector. 2422 025 09191
 1091 Tact Switch. 2422 128 02742
 1092 Tact Switch. 2422 128 02742
 1093 Tact Switch. 2422 128 02742
 1094 Tact Switch. 2422 128 02742
 3088 Res, Zero ohm, 'Chip' Jumper 3198 021 90030
 3089 Res, Zero ohm, 'Chip' Jumper 3198 021 90030
 3093 Res, 390 ohm, 1%, 1/10W, Metallized G
 lass 2120 108 92611
 3094 Res, 180 ohm, 1%, 1/10W, Metallized G
 lass 2120 108 92606
 3095 Res, 270 ohm, 1%, 1/10W, Metallized G
 lass 2120 108 92608
 3096 Res, Zero ohm, 'Chip' Jumper 3198 021 90030
 3097 Res, 2K7, 1%, 1/10W, Metallized Glass 2120 108 92621
 3098 Res, 75 ohm, 1%, 1/10W, Metallized Gl
 ass. 2120 108 91437
 3099 Res, 68 ohm, 1%, 1/10W, Metallized Gl
 ass. 2120 108 92603
 4091 Res, Zero ohm, 'Chip' Jumper 3198 021 90020

S = Safety Part Be sure to use exact replacement part.

25PS40S321 - Manual no. 7629

Cabinet & Accessory Parts

	Cabinet & Accessory Parts			
S AC01	Mainboard, 125V, 10A	3135	010	03831
AC03	Battery, Zinc, 1.5V (2-Pack)	9299	000	65263
AC04	Cabinet, Back.	3121	237	53031
AC09	Clip, Anode Lead	3135	014	04471
S AC10	CRT A63QDB891X01	9322	151	39682
AC11	Knob, Control Panel.	3139	137	86221
AC12	Coil, Degaussing	2422	549	44489
AC13	Holder, Degaussing (4 Used).	3135	013	01641
AC16	Owners Manual.	3121	235	20061
AC20	Cabinet, Front Assembly - Model 29PS4 0S321.	3121	237	51761
AC20A	Cabinet, Front	3139	137	86241
AC20B	Chassis Guide.	3139	124	37561
AC20D	Light Guide.	3139	124	36551
AC20F	Knob, Mains, Assembly	3139	137	86231
AC20J	Speaker, 16R, 5W, (2 Used)	2422	264	00411
AC22	Spring	3139	121	26231
AC23	Braid Assembly	3135	010	07301
REMOTE	Remote Transmitter, RC19335004/01.	3139	228	86462

Main Chassis Assembly Parts

	Main Chassis Assembly Parts			
1000	Tuner, V+U PLL	2422	542	90098
0118	U-Cooling Plate.	3139	121	26731
0122	Heatsink, Vertical	3139	121	62213
0124	Heatsink, SOPS	3139	121	62201
0127	Socket, Fuse	2422	088	00271
0129	NTC, Holder.	3139	120	10151
0137	Spring	3139	121	24581
0138	IC-Spring.	3104	301	22081
0139	Spring for Bracket	3122	121	24786
0141	IC-Spring.	3104	301	22081
0152	Cable, DIP, 6 Pin, 400mm	3104	301	09421
0153	Cable, DIPMate, 5 Pin, 480mm	3139	121	07951
0211	Connector, 2 Pin	2422	025	16269
S 0212	Connector, 2 Pin	2422	025	16375
0219	Connector, 6 Pin	2422	025	12482
S 0220	Connector, 5 Pin	2422	025	04853
S 0221	Connector, 4 Pin	2422	025	15503
S 0222	Connector, 2 Pin	2422	025	10646
S 0243	Connector, 6 Pin	2422	025	04854
0246	Connector, 5 Pin	2422	025	12481
0267	Connector, 3 Pin	2412	020	00725
1002	SAW Filter, 45MHz75, OFWMI1971M	2422	549	44518
1200	Filter, Ceramic, 4MHz5	2422	549	40807
S 1500	Fuse, 4A, 250V, IEC.	2422	086	10914
S 1515	Relay, 12V, 5A G5PA-1.	2422	132	07444
1600	Switch, Tactile.	2422	128	02742
1601	Switch, Tactile.	2422	128	02742
1602	Switch, Tactile.	2422	128	02742
1603	Switch, Tactile.	2422	128	02742
1606	Switch, Tactile.	2422	128	02742
1660	Crystal, 12MHz000.	2422	543	01203
1861	Ceramic Resonator, 514KHz5, CSB503F58	2422	540	98344
2004	Cap, 47n, 10%, 25v, Ceramic.	3198	023	04730
2005	Cap, 10u, 20%, 50v, Electrolytic	3198	025	51090
2006	Cap, 470u, 20%, 16v, Electrolytic.	3198	025	24710
2007	Cap, 100n, +80/-20%, 25v, Ceramic.	3198	023	21040
2008	Cap, 100u, 20%, 25v, Electrolytic.	3198	025	31010
2009	Cap, 22n, 10%, 50v, Ceramic.	3198	017	02230
2181	Cap, 22p, 5%, 50v, Ceramic.	3198	016	02290
2184	Res, Zero ohm, "Chip" Jumper	3198	021	90020
2202	Cap, 100n, +80/-20%, 25v, Ceramic.	3198	023	21040
2203	Cap, 100n, +80/-20%, 25v, Ceramic.	3198	023	21040
2204	Cap, 100n, +80/-20%, 25v, Ceramic.	3198	023	21040
2205	Cap, 220n, +80/-20%, 25v, Ceramic.	3198	023	22240
2208	Cap, 100n, +80/-20%, 25v, Ceramic.	3198	023	21040
2209	Cap, 4u7, 20%, 50v, Electrolytic	3198	025	54780
2210	Cap, 1u, +80/-20%, 16v, Ceramic.	3198	017	21050
2211	Cap, 470n, +80/-20%, 16v, Ceramic.	3198	017	24740
2216	Cap, 1000u, 20%, 16v, Electrolytic	3198	026	21020
2217	Cap, 22n, 10%, 50v, Ceramic.	3198	017	02230
2219	Cap, 220n, +80/-20%, 25v, Ceramic.	3198	023	22240
2226	Cap, 100p, 5%, 50v, Ceramic.	3198	016	01010
2227	Cap, 4n7, 10%, 50v, Ceramic.	3198	017	04720
2228	Cap, 820p, 5%, 50v, Ceramic.	3198	016	08210
2229	Cap, 10u, 20%, 50v, Electrolytic	3198	025	51090
2241	Cap, 1n5, 10%, 50v, Ceramic.	3198	017	01520
2242	Cap, 1u, +80/-20%, 16v, Ceramic.	3198	017	21050
2243	Cap, 2n2, 10%, 50v, Ceramic.	3198	017	02220
2244	Cap, 100n, 5%, 63v, Metalized Polyest er.	2222	370	76104
2245	Cap, 220n, +80/-20%, 25v, Ceramic.	3198	023	22240
2247	Cap, 1000u, 20%, 16v, Electrolytic	3198	026	21020
2248	Cap, 22n, 10%, 50v, Ceramic.	3198	017	02230
2249	Cap, 22n, 10%, 50v, Ceramic.	3198	017	02230
2250	Cap, 2u2, 20%, 50v, Electrolytic	3198	025	52280
2252	Cap, 1n, 5%, 50v, Ceramic.	3198	016	01020
2253	Cap, 1n, 5%, 50v, Ceramic.	3198	016	01020
2254	Res, Zero ohm, "Chip" Jumper	3198	021	90020

2405	Cap, 220u, 20%, 25v, Electrolytic.	3198	025	32210
2441	Cap, 1u, 20%, 50v, Electrolytic.	3198	025	51080
2443	Cap, 47n, +80/-20%, 50v, Ceramic	3198	017	24730
2444	Cap, 1u, 20%, 50v, Electrolytic.	3198	025	51080
2450	Cap, 47u, 20%, 160v, Electrolytic.	2020	021	91139
2451	Cap, 15n, 10%, 50v, Polyester.	3198	014	01530
2452	Res, Zero ohm, "Chip" Jumper	3198	021	90020
2455	Cap, 47u, 20%, 25v, Electrolytic	3198	025	34790
2457	Cap, 470n, 5%, 250v, Polypropylene	2222	479	90023
2458	Cap, 2u2, 20%, 100v, Electrolytic.	2020	021	91331
2459	Cap, 680p, 10%, 500v, Ceramic.	3198	019	46810
2460	Cap, 100p, 5%, 50v, Ceramic.	3198	016	01010
2462	Cap, 330n, 10%, 250v, Polypropylene	2022	333	00084
2463	Cap, 470p, 10%, 2000v, Ceramic	2020	558	90483
2465	Cap, 11n, 5%, 1600v, Polypropylene	2222	375	90155
2471	Cap, 100n, 10%, 50v, Polyester	3198	014	01040
2472	Cap, 150n, 10%, 63v, Polyester	2222	365	75154
2473	Cap, 100n, 10%, 63v, Polyester	2222	365	75104
2474	Cap, 2n2, 10%, 50v, Ceramic.	3198	017	02220
2475	Cap, 2n2, 10%, 50v, Ceramic.	3198	017	02220
2476	Cap, 4n7, 10%, 50v, Ceramic.	3198	017	04720
2480	Cap, 47u, 20%, 25v, Electrolytic	2020	021	90586
2481	Cap, 470p, 10%, 500v, Ceramic.	3198	019	44710
2482	Cap, 68n, 10%, 250v, Polyester	2222	347	90234
2485	Cap, 4u7, 20%, 250v, Electrolytic.	2020	021	90856
2486	Cap, 470u, 20%, 16v, Electrolytic.	2020	021	91577
2487	Cap, 47u, 20%, 50v, Electrolytic	2020	021	90854
2488	Cap, 1000u, 20%, 16v, Electrolytic	2020	021	91049
2489	Cap, 470u, 20%, 16v, Electrolytic.	2020	021	91577
2491	Cap, 1n, 10%, 500v, Ceramic.	3198	019	41020
2500	Cap, 470n, 20%, 275v, Polypropylene.	2222	336	29148
2501	Cap, 2n2, 10%, 1000v, Ceramic.	3198	019	52220
2502	Cap, 2n2, 10%, 1000v, Ceramic.	3198	019	52220
2503	Cap, 470u, 20%, 200v, Electrolytic	2020	024	90626
2505	Cap, 2n2, 10%, 1000v, Ceramic.	3198	019	52220
2507	Cap, 470p, 10%, 50v, Ceramic.	3198	017	04710
2508	Cap, 470p, 10%, 1000v, Ceramic	3198	019	64710
S 2515	Cap, 1n5, 20%, v, Ceramic.	2020	554	90128
2520	Cap, 100n, 10%, 16v, Ceramic	3198	017	01040
2521	Cap, 22u, 20%, 50v, Electrolytic	3198	025	52290
2522	Cap, 100n, 10%, 16v, Ceramic	3198	017	01040
2523	Cap, 1n5, 10%, 2000v, Ceramic.	2020	558	90489
2525	Cap, 470p, 10%, 50v, Ceramic.	3198	017	04710
2527	Cap, 2n2, 10%, 50v, Ceramic.	3198	017	02220
2528	Cap, 1n, 10%, 50v, Ceramic	3198	017	01020
2540	Cap, 10n, 10%, 50v, Ceramic.	3198	017	01030
2541	Cap, 10n, 10%, 50v, Ceramic.	3198	017	01030
2560	Cap, 680p, 10%, 1000v, Ceramic	3198	019	66810
2561	Cap, 100u, 20%, 160v, Electrolytic	2020	021	91654
2562	Cap, 1n, 10%, 50v, Ceramic	3198	019	11020
2563	Cap, 100n, 10%, 50v, Polyester	3198	014	01040
2564	Cap, 2u2, 20%, 25v, Electrolytic	2020	021	91353
2567	Cap, 47u, 20%, 25v, Electrolytic	3198	025	34790
2568	Cap, 1u, 20%, 50v, Electrolytic.	3198	025	51080
2580	Cap, 47u, 20%, 16v, Electrolytic	3198	028	24790
2581	Cap, 22u, 20%, 50v, Electrolytic	3198	025	52290
2601	Cap, 220n, +80/-20%, 25v, Ceramic.	3198	023	22240
2602	Cap, 100p, 5%, 50v, Ceramic.	3198	016	01010
2606	Cap, 470n, +80/-20%, 16v, Ceramic.	3198	017	24740
2607	Cap, 33p, 5%, 50v, Ceramic	3198	016	03390
2608	Cap, 1u, +80/-20%, 16v, Ceramic.	3198	017	21050
2609	Cap, 33p, 5%, 50v, Ceramic	3198	016	03390
2611	Cap, 1u, +80/-20%, 16v, Ceramic.	3198	017	21050
2612	Cap, 68p, 5%, 50v, Ceramic	3198	016	06890
2613	Cap, 68p, 5%, 50v, Ceramic	3198	016	06890
2615	Cap, 1n, 10%, 50v, Ceramic	3198	017	01020
2618	Cap, 1u, +80/-20%, 16v, Ceramic.	3198	017	21050
2619	Cap, 1u, +80/-20%, 16v, Ceramic.	3198	017	21050
2691	Cap, 220u, 20%, 25v, Electrolytic.	3198	025	32210
2805	Cap, 2u2, +80/-20%, 10v, Ceramic	3198	017	22250
2806	Cap, 2u2, +80/-20%, 10v, Ceramic	3198	017	22250
2861	Cap, 220n, +80/-20%, 25v, Ceramic.	3198	023	22240
2862	Cap, 2u2, +80/-20%, 10v, Ceramic	3198	017	22250
2864	Cap, 2u2, 20%, 50v, Electrolytic	3198	025	52280
2865	Cap, 2u2, 20%, 50v, Electrolytic	3198	025	52280
2866	Cap, 2u2, +80/-20%, 10v, Ceramic	3198	017	22250
2867	Cap, 3n3, 10%, 50v, Ceramic.	3198	017	03320
2868	Cap, 150p, 5%, 50v, Ceramic.	3198	016	01510
2869	Cap, 47n, 10%, 50v, Polyester.	3198	014	04730
2870	Cap, 47n, 10%, 50v, Polyester.	3198	014	04730

25PS40S321 (continued)

2885	Cap, 220n, 10%, 50v, Polyester . . .	3198 014	Q2240	3490	Res, 8K2, 5%, 1/6W, Carbon Film. . .	3198 011	08220
2886	Cap, 220n, +80/-20%, 25v, Ceramic. .	3198 023	22240	3492	Res, 1K, 5%, 1/10W, Metalized Glass.	3198 021	51020
2902	Cap, 220u, 20%, 50v, Electrolytic. .	3198 026	52210	3493	Res, 6R8, 5%, 1/3W, Metal Film . . .	2306 204	03688
2903	Cap, 1u, 20%, 50v, Electrolytic. . .	3198 025	51080	3494	Res, 4R7, 5%, 1/2W, Metal Film . . .	2306 207	03478
2904	Cap, 470n, +80/-20%, 16v, Ceramic. .	3198 017	24740	3495	Res, 22K, 5%, 1/10W, Metalized Glass	3198 021	52230
2905	Cap, 1n, 10%, 50v, Ceramic	3198 017	01020	3496	Res, 100K, 5%, 1/10W, Metalized Glass	3198 021	51040
2906	Cap, 470n, +80/-20%, 16v, Ceramic. .	3198 017	24740	3497	Res, 100K, 5%, 1/10W, Metalized Glass	3198 021	51040
2907	Cap, 1n, 10%, 50v, Ceramic	3198 017	01020	3498	Res, 12K, 5%, 1/10W, Metalized Glass	3198 021	51230
2908	Cap, 10u, 20%, 50v, Electrolytic . .	3198 025	51090	3499	Res, 10K, 5%, 1/10W, Metalized Glass	3198 021	51030
2910	Cap, 3n3, 10%, 50v, Ceramic.	3198 017	03320	S 3500	Res, 3M3, 5%, 1/2W, Metalized Glass.	2322 242	13335
2911	Cap, 3n3, 10%, 50v, Ceramic.	3198 017	03320	S 3501	Res, 3M3, 5%, 1/2W, Metalized Glass.	2322 242	13335
2950	Cap, 330p, 5%, 50v, Ceramic.	3198 016	03310	S 3504	PTC, DC, 120V, P3020 B.	2120 661	00025
3000	Res, 100 ohm, 5%, 1/6W, Carbon Film.	3198 011	01010	S 3506	Res, 1M5, 5%, 1/2W, Metalized Glass.	2322 242	13155
3001	Res, 100 ohm, 5%, 1/6W, Carbon Film.	3198 011	01010	S 3507	Surge Protector.	2422 549	43073
3002	Res, Zero ohm, "Chip" Jumper	3198 021	90020	S 3508	Res, 220 ohm, 20%, 1/2W, Carbon Film	3198 013	02210
3003	Res, 1K5, 5%, 1/10W, Metalized Glass	3198 021	51520	S 3510	NTC, DC, B57237, 3W1, 4R7, 20% . . .	2122 612	00056
3004	Res, 8K2, 5%, 1/10W, Metalized Glass	3198 021	58220	3519	Res, 270 ohm, 5%, 1/6W, Carbon Film.	3198 011	02710
3005	Res, 100 ohm, 5%, 1/6W, Carbon Film.	3198 011	01010	3520	Res, 1K2, 5%, 1/10W, Metalized Glass	3198 021	51220
3200	Res, 390 ohm, 5%, 1/6W, Carbon Film.	3198 011	03910	3521	Res, 4R7, 5%, 1/6W, Carbon Film. . .	3198 011	04780
3201	Res, 100 ohm, 5%, 1/6W, Carbon Film.	3198 011	01010	3522	Res, 330K, 1%, 1/8W, Metalized Glass	2322 734	63304
3202	Res, 100 ohm, 5%, 1/6W, Carbon Film.	3198 011	01010	S 3523	Res, 100 ohm, 5%, 1/3W, Metal Film .	2306 204	03101
3203	Res, 100 ohm, 5%, 1/6W, Carbon Film.	3198 011	01010	3524	Res, 56K, 5%, 1/10W, Metalized Glass	3198 021	55630
3204	Res, 22K, 5%, 1/6W, Carbon Film. . .	3198 011	02230	3525	Res, 1K, 5%, 1/10W, Metalized Glass.	3198 021	51020
3206	Res, 33K, 5%, 1/10W, Metalized Glass	3198 021	53330	3526	Res, 0R1, 5%, 3/5W, Metal Film . . .	3198 012	11070
3207	Res, 1K, 5%, 1/6W, Carbon Film . . .	3198 011	01020	3527	Res, 0R33, 5%, 3/5W, Metal Film. . .	3198 012	13370
3208	Res, 220 ohm, 5%, 1/10W, Metalized Gl	3198 021	52210	3528	Res, Zero ohm, "Chip" Jumper	3198 021	90020
3209	Res, 68 ohm, 5%, 1/10W, Metalized Gla	3198 021	56890	3529	Res, 47K, 5%, 1/10W, Metalized Glass	3198 021	54730
3212	Res, 470 ohm, 5%, 1/10W, Metalized Gl	3198 021	54710	3530	Res, 10K, 5%, 1/10W, Metalized Glass	3198 021	51030
3213	Res, 560 ohm, 5%, 1/6W, Carbon Film.	3198 011	05610	3531	Res, 4K7, 5%, 1/10W, Metalized Glass	3198 021	54720
3217	Res, 330K, 5%, 1/10W, Metalized Glass	3198 021	53340	S 3532	Res, 2K2, 5%, 1/3W, Metal Film . . .	2306 204	03222
3218	Res, 82K, 5%, 1/10W, Metalized Glass	3198 021	58230	3541	Res, 470 ohm, 5%, 1/10W, Metalized Gl	3198 021	54710
3219	Res, 2K2, 5%, 1/10W, Metalized Glass	3198 021	52220	3542	Res, 1K5, 5%, 1/10W, Metalized Glass	3198 021	51520
3226	Res, 560 ohm, 5%, 1/10W, Metalized Gl	3198 021	55610	3543	Res, 82K, 1%, 3/5W, Metal Film . . .	2312 915	18203
3232	Res, 2K2, 5%, 1/10W, Metalized Glass	3198 021	52220	3544	Res, 4K7, 1%, 1/8W, Metalized Glass.	2322 734	64702
3235	Res, 100 ohm, 5%, 1/6W, Carbon Film.	3198 011	01010	3545	Res, 270K, 5%, 1/8W, Metalized Glass	2322 730	61274
3241	Res, 22K, 5%, 1/10W, Metalized Glass	3198 021	52230	3548	Res, 15K, 5%, 1/10W, Metalized Glass	3198 021	51530
3242	Res, 12K, 5%, 1/10W, Metalized Glass	3198 021	51230	3552	Res, 4K7, 5%, 1/10W, Metalized Glass	3198 021	54720
3244	Res, 820 ohm, 5%, 1/6W, Carbon Film.	3198 011	08210	3557	Res, 1K, 5%, 1/10W, Metalized Glass.	3198 021	51020
3245	Res, 39K, 1%, 1/8W, Metalized Glass.	2322 734	63903	3561	Res, 100 ohm, 5%, 1/6W, Carbon Film.	3198 011	01010
3246	Res, 10K, 5%, 1/10W, Metalized Glass	3198 021	51030	3562	Res, 12K, 5%, 1/10W, Metalized Glass	3198 021	51230
3247	Res, 680K, 5%, 1/10W, Metalized Glass	3198 021	56840	3563	Res, 5K6, 5%, 1/10W, Metalized Glass	3198 021	55620
3248	Res, 33K, 5%, 1/10W, Metalized Glass	3198 021	53330	3564	Res, 0R1, 5%, 1 1/3W, Metal Film . .	3198 012	21070
3249	Res, 820 ohm, 5%, 1/6W, Carbon Film.	3198 011	08210	3565	Res, 330 ohm, 5%, 1W, Metal Film . .	3198 012	13310
3250	Res, 8K2, 5%, 1/6W, Carbon Film. . .	3198 011	08220	3566	Res, 2K2, 5%, 1/10W, Metalized Glass	3198 021	52220
3251	Res, 100 ohm, 5%, 1/6W, Carbon Film.	3198 011	01010	3567	Res, 3K3, 5%, 1/10W, Metalized Glass	3198 021	53320
3256	Res, 1K, 5%, 1/10W, Metalized Glass.	3198 021	51020	3569	Res, 5K6, 5%, 1/10W, Metalized Glass	3198 021	55620
3257	Res, 10M, 5%, 1/10W, Metalized Glass	3198 021	51060	3580	Res, 47K, 5%, 1/10W, Metalized Glass	3198 021	54730
3258	Res, 100K, 5%, 1/10W, Metalized Glass	3198 021	51040	3594	Res, 330 ohm, 5%, 1/10W, Metalized Gl	3198 021	53310
3259	Res, 470K, 5%, 1/10W, Metalized Glass	3198 021	54740	3595	Res, 220K, 5%, 1/10W, Metalized Glass	3198 021	52240
3441	Res, 100 ohm, 5%, 1/10W, Metalized Gl	3198 021	51010	3596	Res, 220K, 5%, 1/10W, Metalized Glass	3198 021	52240
3442	Res, Zero ohm, "Chip" Jumper	3198 021	90020	3603	Res, 100 ohm, 5%, 1/6W, Carbon Film.	3198 011	01010
3443	Res, 1M, 5%, 1/10W, Metalized Glass.	3198 021	51050	3604	Res, 100 ohm, 5%, 1/6W, Carbon Film.	3198 011	01010
3445	Res, 15K, 5%, 1/6W, Carbon Film. . .	3198 011	01530	3606	Res, 2K2, 5%, 1/6W, Carbon Film. . .	3198 011	02220
3446	Res, 5K6, 5%, 1/6W, Carbon Film. . .	3198 011	05620	3607	Res, 2K2, 5%, 1/6W, Carbon Film. . .	3198 011	02220
3447	Res, 180 ohm, 5%, 1/6W, Carbon Film.	3198 011	01810	3608	Res, 100 ohm, 5%, 1/6W, Carbon Film.	3198 011	01010
3448	Res, 820 ohm, 5%, 1/6W, Carbon Film.	3198 011	08210	3611	Res, 100 ohm, 5%, 1/10W, Metalized Gl	3198 021	51010
3449	Res, 68 ohm, 5%, 1/6W, Carbon Film .	3198 011	06890	3618	Res, 6K8, 5%, 1/6W, Carbon Film. . .	3198 011	06820
3450	Res, 33 ohm, 5%, 1/6W, Carbon Film .	3198 011	03390	3622	Res, Zero ohm, "Chip" Jumper	3198 021	90020
S 3451	Res, 10 ohm, 5%, 1/3W, Metal Film. . .	2306 204	03109	3623	Res, 4K7, 5%, 1/10W, Metalized Glass	3198 021	54720
3452	Res, 10K, 1%, 3/5W, Metal Film . . .	2312 915	11003	3624	Res, 100 ohm, 5%, 1/6W, Carbon Film.	3198 011	01010
3453	Res, 1K, 5%, 1/6W, Carbon Film . . .	3198 011	01020	3625	Res, 100 ohm, 5%, 1/6W, Carbon Film.	3198 011	01010
3454	Res, 3K9, 1%, 3/5W, Metal Film . . .	2312 915	13902	3626	Res, 4K7, 5%, 1/10W, Metalized Glass	3198 021	54720
3455	Res, 6R8, 5%, 1 1/3W, Metal Film . .	3198 012	26880	3627	Res, 4K7, 5%, 1/10W, Metalized Glass	3198 021	54720
3456	Res, Zero ohm, "Chip" Jumper	3198 021	90020	3628	Res, 10K, 5%, 1/10W, Metalized Glass	3198 021	51030
3457	Res, Zero ohm, "Chip" Jumper	3198 021	90020	3630	Res, 470 ohm, 1%, 1/10W, Metalized Gl	2120 108	92612
3458	Res, 1K, 5%, 1/6W, Carbon Film . . .	3198 011	01020	3632	Res, Zero ohm, "Chip" Jumper	3198 021	90020
3459	Res, 15K, 5%, 1 1/3W, Metal Film . . .	3198 012	21530	3636	Res, 100 ohm, 5%, 1/10W, Metalized Gl	3198 021	51010
3460	Res, 3K9, 5%, 1/6W, Carbon Film. . .	3198 011	03920	3637	Res, 75 ohm, 5%, 1/10W, Metalized Gla	3198 021	57590
3463	Res, 33 ohm, 5%, 1/6W, Carbon Film .	3198 011	03390	3639	Res, Zero ohm, "Chip" Jumper	3198 021	90020
3465	Res, 27K, 1%, 3/5W, Metal Film . . .	2312 915	12703	3681	Res, 180 ohm, 1%, 1/10W, Metalized Gl	2120 108	92606
3468	Res, 220 ohm, 5%, 1/6W, Carbon Film.	3198 011	02210	3682	Res, 270 ohm, 1%, 1/10W, Metalized Gl	2120 108	92608
3469	Res, 3K3, 5%, 1/6W, Carbon Film. . .	3198 011	03320	3683	Res, 390 ohm, 1%, 1/10W, Metalized Gl	2120 108	92611
3470	Res, 330K, 5%, 1/10W, Metalized Glass	3198 021	53340	3684	Res, 390 ohm, 1%, 1/10W, Metalized Gl	2120 108	92611
3471	Res, 3R3, 1%, 3/5W, Metal Film . . .	2312 915	13308	3686	Res, Zero ohm, "Chip" Jumper	3198 021	90020
3472	Res, 3R3, 1%, 3/5W, Metal Film . . .	2312 915	13308	3687	Res, 75 ohm, 1%, 1/10W, Metalized Gla	2120 108	91437
3473	Res, 3R3, 1%, 3/5W, Metal Film . . .	2312 915	13308	3688	Res, 68 ohm, 1%, 1/10W, Metalized Gla	2120 108	92603
3474	Res, 2K2, 1%, 3/5W, Metal Film . . .	2312 915	12202	3689	Res, 2K7, 1%, 1/10W, Metalized Glass	2120 108	92621
3475	Res, 2K2, 1%, 3/5W, Metal Film . . .	2312 915	12202	3691	Res, 330 ohm, 5%, 1/10W, Metalized Gl	3198 021	53310
3477	Res, 150 ohm, 5%, 1/6W, Carbon Film.	3198 011	01510	3693	Res, 220 ohm, 5%, 1/10W, Metalized Gl	3198 021	52210
3478	Res, 150 ohm, 5%, 1/6W, Carbon Film.	3198 011	01510				
3479	Res, 2K7, 5%, 1/10W, Metalized Glass	3198 021	52720				
3480	Res, 1R5, 5%, 1/4W, Carbon Film. . .	2120 101	74158				
3481	Res, 15K, 1%, 3/5W, Metal Film . . .	2312 915	11503				
3482	Res, 12K, 1%, 3/5W, Metal Film . . .	2312 915	11203				
3484	Res, 3K9, 5%, 1/6W, Carbon Film. . .	3198 011	03920				
3486	Res, 33 ohm, 5%, 2 1/2W, Metal Film.	3198 012	33390				
3488	Res, 4R7, 5%, 1/2W, Metal Film . . .	2306 207	03478				

25PS40S321 (continued)

3694	Res, 4K7, 5%, 1/10W, Metalized Glass	3198 021 54720	6470	Diode, Signal, BAV99	3198 010 10620
3861	Res, 100K, 5%, 1/10W, Metalized Glass	3198 021 51040	6476	Zener Diode, 15 volt	3198 010 21590
3862	Res, 15K, 5%, 1/10W, Metalized Glass	3198 021 51530	6481	Zener Diode, 5.6 volt	3198 010 25680
3863	Res, 1K2, 5%, 1/10W, Metalized Glass	3198 021 51220	6482	Zener Diode, 9.1 volt	9331 177 80133
3864	Res, 100 ohm, 5%, 1/10W, Metalized Glass	3198 021 51010	6483	Zener Diode, 33 volt	3198 010 23390
3865	Res, 100 ohm, 5%, 1/6W, Carbon Film	3198 011 01010	6485	Diode, Rect, BYD33J	9337 234 20133
3866	Res, 100 ohm, 5%, 1/6W, Carbon Film	3198 011 01010	6486	Diode, Rect, EGP20DL-5100	9322 164 42682
3867	Res, 3K3, 5%, 1/10W, Metalized Glass	3198 021 53320	6487	Diode, Rect, BYD33D	9337 234 00133
3901	Res, 1K, 5%, 1/10W, Metalized Glass	3198 021 51020	6488	Diode, Rect, EGP20DL-5100	9322 164 42682
3902	Res, 3K3, 5%, 1/10W, Metalized Glass	3198 021 53320	6500	Diode, Bridge Rect, GBU4JL-7002	9322 132 55667
3903	Res, 3K3, 5%, 1/10W, Metalized Glass	3198 021 53320	6520	Diode, Rect, BYD33D	9337 234 00133
3904	Res, 10K, 5%, 1/10W, Metalized Glass	3198 021 51030	6523	Diode, Signal, 1N4148	3198 010 10010
3905	Res, 3K3, 5%, 1/10W, Metalized Glass	3198 021 53320	6524	Diode, Rect, 1N5062	3198 010 10120
3906	Res, 10K, 5%, 1/10W, Metalized Glass	3198 021 51030	6525	Diode, Rect, 1N5062	3198 010 10120
3907	Res, 8K2, 5%, 1/10W, Metalized Glass	3198 021 58220	6526	Zener Diode, 22 volt	3198 020 52290
4001	Res, Zero ohm, "Chip" Jumper	3198 021 90020	6540	Zener Diode, 6.2 volt	9331 668 30133
4002	Res, Zero ohm, "Chip" Jumper	3198 021 90020	6541	Zener Diode, 10 volt	3198 020 51090
4181	Res, Zero ohm, "Chip" Jumper	3198 021 90020	6560	Diode, Rect, BYV29X-500	9340 555 59127
4214	Res, Zero ohm, "Chip" Jumper	3198 021 90020	6562	Diode, Rect, EGP20DL-5100	9322 164 42682
4216	Res, Zero ohm, "Chip" Jumper	3198 021 90020	6563	Diode, Signal, BAS316	3198 010 10630
4217	Res, Zero ohm, "Chip" Jumper	3198 021 90020	6565	Diode, Signal, BAV70	9331 849 10215
4401	Res, Zero ohm, "Chip" Jumper	3198 021 90020	6566	Diode, Signal, 1N4148	3198 010 10010
4402	Res, Zero ohm, "Chip" Jumper	3198 021 90020	6569	Diode, Signal, BAS316	3198 010 10630
4430	Res, Zero ohm, "Chip" Jumper	3198 021 90020	6570	Zener Diode, 6.8 volt	3198 020 56880
4500	Res, Zero ohm, "Chip" Jumper	3198 021 90020	6580	Diode, Signal, BAS316	3198 010 10630
4601	Res, Zero ohm, "Chip" Jumper	3198 021 90020	6691	LED, LTL-10224WHCR	9322 050 99682
4613	Res, Zero ohm, "Chip" Jumper	3198 021 90020	6692	IR Receiver, TSOP1836UH3V	9322 127 54667
4614	Res, Zero ohm, "Chip" Jumper	3198 021 90020	6901	Res, Zero ohm, "Chip" Jumper	3198 021 90020
4615	Res, Zero ohm, "Chip" Jumper	3198 021 90020	6903	Diode, Rect, 1N5062	3198 010 10120
4617	Res, Zero ohm, "Chip" Jumper	3198 021 90020	7200	IC, TDA9577H/N1/A/0819	9352 716 20557
4619	Res, Zero ohm, "Chip" Jumper	3198 021 90020	7201	Transistor, NPN, BC847B	3198 010 42030
4622	Res, Zero ohm, "Chip" Jumper	3198 021 90020	7204	Transistor, PNP, BC857B	3198 010 42150
4623	Res, Zero ohm, "Chip" Jumper	3198 021 90020	7441	Transistor, PNP, BC857B	3198 010 42150
4691	Res, Zero ohm, "Chip" Jumper	3198 021 90020	7443	Transistor, PNP, BC557B	3198 020 40110
4692	Res, Zero ohm, "Chip" Jumper	3198 021 90020	7450	Transistor, PNP, PDTA114ET	3198 010 44010
4693	Res, Zero ohm, "Chip" Jumper	3198 021 90020	7460	Transistor, NPN, BU4508DX	9340 550 92127
4801	Res, Zero ohm, "Chip" Jumper	3198 021 90020	7461	Transistor, NPN, BC337-25	3198 020 43530
4802	Res, Zero ohm, "Chip" Jumper	3198 021 90020	7462	Transistor, NPN, PDMC143ZT	9340 547 00215
4803	Res, Zero ohm, "Chip" Jumper	3198 021 90020	7463	Transistor, PNP, BC327-25	3198 020 43430
4805	Res, Zero ohm, "Chip" Jumper	3198 021 90020	7471	IC, TDA8359J/N2	9352 701 64112
4807	Res, Zero ohm, "Chip" Jumper	3198 021 90020	7480	Transistor, NPN, BD135	3198 020 41010
4809	Res, Zero ohm, "Chip" Jumper	3198 021 90020	7482	Transistor, NPN, BD135	3198 020 41010
4901	Res, Zero ohm, "Chip" Jumper	3198 021 90020	S 7515	Optic, Coupler, TCBT1104(G)	9322 175 72667
4903	Res, Zero ohm, "Chip" Jumper	3198 021 90020	7520	IC, TEA1507P/N1	9352 673 56112
4982	Res, Zero ohm, "Chip" Jumper	3198 021 90020	7521	FET Power, STP8NC50FP	9322 160 72687
5001	Coil, 27u	3198 018 22790	7522	Transistor, NPN, BC847B	3198 010 42030
5002	Coil, 820n	3198 018 18270	7540	Transistor, NPN, BC547B	3198 020 40030
5201	Coil, 6u8	3198 018 16880	7541	Transistor, NPN, PDMC114ET	9340 310 10215
5202	Coil, 10u	3198 018 21090	7542	Transistor, PNP, BC857B	3198 010 42150
5204	Fixed, Inductor, 100MHz, 80 ohm	3198 018 90020	7560	IC, L78L33ACZ	9322 134 92676
5205	Fixed, Inductor, 100MHz, 80 ohm	3198 018 90020	7561	Transistor, NPN, PDMC143ZT	9340 547 00215
5206	Wire Jumper, 0.58MM	3198 036 90010	7580	Transistor, PNP, BC857B	3198 010 42150
5241	Coil, 10u	3198 018 21090	7602	IC, M24C08-WBN6	9322 154 38682
5242	Coil, 10u	3198 018 11090	7861	IC, TDA9853H/V1	9352 671 19557
S 5445	Transformer, SLOT, 1342.0043B Y	2422 531 02506	7901	IC, AN7522N	9322 181 41682
5451	Coil, 33u	3198 018 73390	9001	Wire Jumper, 0.58MM	3198 036 90010
5452	Fixed, Inductor, 100MHz, 80 ohm	3198 018 90020	9171	Wire Jumper, 0.58MM	3198 036 90010
5457	Coil, Linear Correction	3128 138 53241	9172	Wire Jumper, 0.58MM	3198 036 90010
5461	Transformer, Signal Driver, SC10015-0	2422 531 02465	9173	Wire Jumper, 0.58MM	3198 036 90010
5471	Coil, 3u3	3198 018 73380	9175	Wire Jumper, 0.58MM	3198 036 90010
5472	Coil, 3u3	3198 018 23380	9176	Wire Jumper, 0.58MM	3198 036 90010
5480	Coil, 33u	2422 535 97335	9178	Wire Jumper, 0.58MM	3198 036 90010
S 5501	Filter, Mains, 5mH, 2A	2422 549 43432	9179	Wire Jumper, 0.58MM	3198 036 90010
S 5520	Transformer, Layer, SS39009-04 B	2422 531 02459	9181	Wire Jumper, 0.58MM	3198 036 90010
5521	Fixed, Inductor, 100MHz, 50R	3198 018 90010	9182	Wire Jumper, 0.58MM	3198 036 90010
5560	Fixed, Inductor, 100MHz, 50R	3198 018 90010	9183	Wire Jumper, 0.58MM	3198 036 90010
5561	Coil, 27u	3198 018 22790	9184	Wire Jumper, 0.58MM	3198 036 90010
5562	Fixed, Inductor, 100MHz, 80 ohm	3198 018 90020	9192	Wire Jumper, 0.58MM	3198 036 90010
5564	Fixed, Inductor, 100MHz, 50R	3198 018 90010	9193	Wire Jumper, 0.58MM	3198 036 90010
5602	Coil, 5u6	3198 018 15680	9406	Wire Jumper, 0.58MM	3198 036 90010
5603	Coil, 5u6	3198 018 15680	9407	Wire Jumper, 0.58MM	3198 036 90010
5604	Coil, 5u6	3198 018 15680	9408	Wire Jumper, 0.58MM	3198 036 90010
5861	Coil, 10u	3198 018 11090	9409	Wire Jumper, 0.58MM	3198 036 90010
6001	Zener Diode, 33 volt	3198 010 23390	9410	Wire Jumper, 0.58MM	3198 036 90010
6201	Diode, Signal, BAS316	3198 010 10630	9411	Wire Jumper, 0.58MM	3198 036 90010
6202	Diode, Signal, BAS316	3198 010 10630	9412	Wire Jumper, 0.58MM	3198 036 90010
6206	Zener Diode, 6.8 volt	3198 020 56880	9413	Wire Jumper, 0.58MM	3198 036 90010
6445	Zener Diode, 10 volt	3198 020 51090	9415	Wire Jumper, 0.58MM	3198 036 90010
6447	Diode, Signal, 1N4148	3198 010 10010	9416	Wire Jumper, 0.58MM	3198 036 90010
6448	Zener Diode, 6.2 volt	9331 668 30133	9417	Wire Jumper, 0.58MM	3198 036 90010
6449	Diode, Signal, BAV99	3198 010 10620	9418	Wire Jumper, 0.58MM	3198 036 90010
6453	Zener Diode, 6.8 volt	3198 020 56880	9419	Wire Jumper, 0.58MM	3198 036 90010
6460	Diode, Rect, BY228/24	9340 559 50112	9421	Wire Jumper, 0.58MM	3198 036 90010
6461	Diode, Rect, RGP30J-L7004	9338 617 60682	9422	Wire Jumper, 0.58MM	3198 036 90010
6462	Zener Diode, 8.2 volt	3198 010 28280	9423	Wire Jumper, 0.58MM	3198 036 90010
6465	Diode, Signal, BAV21	3198 010 10070	9425	Wire Jumper, 0.58MM	3198 036 90010
6466	Diode, Signal, BAV21	3198 010 10070	9427	Wire Jumper, 0.58MM	3198 036 90010
6467	Diode, Signal, BAS316	3198 010 10630	9453	Wire Jumper, 0.58MM	3198 036 90010
6468	Diode, Signal, BAS316	3198 010 10630	9460	Wire Jumper, 0.58MM	3198 036 90010
6469	Diode, Rect, BYD33J	9337 234 20133	9500	Wire Jumper, 0.58MM	3198 036 90010
			9501	Wire Jumper, 0.58MM	3198 036 90010
			9503	Wire Jumper, 0.58MM	3198 036 90010

S = Safety Part Be sure to use exact replacement part.

25PS40S321 (continued)

9506	Wire Jumper, 0.58MM.	3198	036	90010	9827	Wire Jumper, 0.58MM.	3198	036	90010
9507	Wire Jumper, 0.58MM.	3198	036	90010	9828	Wire Jumper, 0.58MM.	3198	036	90010
9510	Wire Jumper, 0.58MM.	3198	036	90010	9829	Wire Jumper, 0.58MM.	3198	036	90010
9512	Wire Jumper, 0.58MM.	3198	036	90010	9830	Wire Jumper, 0.58MM.	3198	036	90010
9513	Wire Jumper, 0.58MM.	3198	036	90010	9831	Wire Jumper, 0.58MM.	3198	036	90010
9514	Wire Jumper, 0.58MM.	3198	036	90010	9832	Wire Jumper, 0.58MM.	3198	036	90010
9515	Wire Jumper, 0.58MM.	3198	036	90010	9834	Wire Jumper, 0.58MM.	3198	036	90010
9516	Wire Jumper, 0.58MM.	3198	036	90010	9835	Wire Jumper, 0.58MM.	3198	036	90010
9518	Wire Jumper, 0.58MM.	3198	036	90010	9836	Wire Jumper, 0.58MM.	3198	036	90010
9520	Wire Jumper, 0.58MM.	3198	036	90010	9837	Wire Jumper, 0.58MM.	3198	036	90010
9521	Wire Jumper, 0.58MM.	3198	036	90010	9838	Wire Jumper, 0.58MM.	3198	036	90010
9522	Wire Jumper, 0.58MM.	3198	036	90010	9839	Wire Jumper, 0.58MM.	3198	036	90010
9524	Wire Jumper, 0.58MM.	3198	036	90010	9840	Wire Jumper, 0.58MM.	3198	036	90010
9525	Wire Jumper, 0.58MM.	3198	036	90010	9841	Wire Jumper, 0.58MM.	3198	036	90010
9528	Wire Jumper, 0.58MM.	3198	036	90010	9842	Wire Jumper, 0.58MM.	3198	036	90010
9610	Wire Jumper, 0.58MM.	3198	036	90010	9843	Wire Jumper, 0.58MM.	3198	036	90010
9611	Coil, 27u.	3198	018	22790	9844	Wire Jumper, 0.58MM.	3198	036	90010
9612	Wire Jumper, 0.58MM.	3198	036	90010	9845	Wire Jumper, 0.58MM.	3198	036	90010
9613	Wire Jumper, 0.58MM.	3198	036	90010	9846	Wire Jumper, 0.58MM.	3198	036	90010
9614	Wire Jumper, 0.58MM.	3198	036	90010	9847	Wire Jumper, 0.58MM.	3198	036	90010
9615	Wire Jumper, 0.58MM.	3198	036	90010	9849	Wire Jumper, 0.58MM.	3198	036	90010
9616	Wire Jumper, 0.58MM.	3198	036	90010	9850	Wire Jumper, 0.58MM.	3198	036	90010
9617	Wire Jumper, 0.58MM.	3198	036	90010	9851	Wire Jumper, 0.58MM.	3198	036	90010
9618	Wire Jumper, 0.58MM.	3198	036	90010	9901	Wire Jumper, 0.58MM.	3198	036	90010
9619	Wire Jumper, 0.58MM.	3198	036	90010	9902	Wire Jumper, 0.58MM.	3198	036	90010
9620	Wire Jumper, 0.58MM.	3198	036	90010	9904	Wire Jumper, 0.58MM.	3198	036	90010
9621	Wire Jumper, 0.58MM.	3198	036	90010	9905	Wire Jumper, 0.58MM.	3198	036	90010
9622	Wire Jumper, 0.58MM.	3198	036	90010	9911	Wire Jumper, 0.58MM.	3198	036	90010
9623	Wire Jumper, 0.58MM.	3198	036	90010	9912	Wire Jumper, 0.58MM.	3198	036	90010
9624	Wire Jumper, 0.58MM.	3198	036	90010	9913	Wire Jumper, 0.58MM.	3198	036	90010
9625	Wire Jumper, 0.58MM.	3198	036	90010	9914	Wire Jumper, 0.58MM.	3198	036	90010
9626	Wire Jumper, 0.58MM.	3198	036	90010	9915	Wire Jumper, 0.58MM.	3198	036	90010
9627	Wire Jumper, 0.58MM.	3198	036	90010	9916	Wire Jumper, 0.58MM.	3198	036	90010
9628	Wire Jumper, 0.58MM.	3198	036	90010	9918	Wire Jumper, 0.58MM.	3198	036	90010
9629	Wire Jumper, 0.58MM.	3198	036	90010	9919	Wire Jumper, 0.58MM.	3198	036	90010
9630	Wire Jumper, 0.58MM.	3198	036	90010	9920	Wire Jumper, 0.58MM.	3198	036	90010
9631	Wire Jumper, 0.58MM.	3198	036	90010	9921	Wire Jumper, 0.58MM.	3198	036	90010
9632	Wire Jumper, 0.58MM.	3198	036	90010	9922	Wire Jumper, 0.58MM.	3198	036	90010
9633	Wire Jumper, 0.58MM.	3198	036	90010	9991	Wire Jumper, 0.58MM.	3198	036	90010
9634	Wire Jumper, 0.58MM.	3198	036	90010	9993	Wire Jumper, 0.58MM.	3198	036	90010
9637	Wire Jumper, 0.58MM.	3198	036	90010	9994	Wire Jumper, 0.58MM.	3198	036	90010
9638	Wire Jumper, 0.58MM.	3198	036	90010	9996	Wire Jumper, 0.58MM.	3198	036	90010
9639	Wire Jumper, 0.58MM.	3198	036	90010	9997	Wire Jumper, 0.58MM.	3198	036	90010
9640	Wire Jumper, 0.58MM.	3198	036	90010	9998	Wire Jumper, 0.58MM.	3198	036	90010
9641	Wire Jumper, 0.58MM.	3198	036	90010	CBA	Main Chassis Assembly.	3139	177	27901
9642	Wire Jumper, 0.58MM.	3198	036	90010					
9643	Wire Jumper, 0.58MM.	3198	036	90010					
9644	Wire Jumper, 0.58MM.	3198	036	90010					
9645	Wire Jumper, 0.58MM.	3198	036	90010					
9646	Wire Jumper, 0.58MM.	3198	036	90010					
9648	Wire Jumper, 0.58MM.	3198	036	90010					
9650	Wire Jumper, 0.58MM.	3198	036	90010					
9654	Wire Jumper, 0.58MM.	3198	036	90010					
9655	Wire Jumper, 0.58MM.	3198	036	90010					
9656	Wire Jumper, 0.58MM.	3198	036	90010					
9657	Wire Jumper, 0.58MM.	3198	036	90010					
9658	Wire Jumper, 0.58MM.	3198	036	90010					
9659	Wire Jumper, 0.58MM.	3198	036	90010					
9660	Wire Jumper, 0.58MM.	3198	036	90010					
9661	Wire Jumper, 0.58MM.	3198	036	90010					
9662	Wire Jumper, 0.58MM.	3198	036	90010					
9663	Wire Jumper, 0.58MM.	3198	036	90010					
9664	Wire Jumper, 0.58MM.	3198	036	90010					
9665	Wire Jumper, 0.58MM.	3198	036	90010					
9666	Wire Jumper, 0.58MM.	3198	036	90010					
9668	Wire Jumper, 0.58MM.	3198	036	90010					
9669	Wire Jumper, 0.58MM.	3198	036	90010					
9670	Wire Jumper, 0.58MM.	3198	036	90010					
9672	Wire Jumper, 0.58MM.	3198	036	90010					
9674	Wire Jumper, 0.58MM.	3198	036	90010					
9675	Wire Jumper, 0.58MM.	3198	036	90010					
9676	Wire Jumper, 0.58MM.	3198	036	90010					
9678	Wire Jumper, 0.58MM.	3198	036	90010					
9679	Wire Jumper, 0.58MM.	3198	036	90010					
9680	Wire Jumper, 0.58MM.	3198	036	90010					
9683	Wire Jumper, 0.58MM.	3198	036	90010					
9685	Wire Jumper, 0.58MM.	3198	036	90010					
9686	Wire Jumper, 0.58MM.	3198	036	90010					
9687	Wire Jumper, 0.58MM.	3198	036	90010					
9688	Wire Jumper, 0.58MM.	3198	036	90010					
9689	Wire Jumper, 0.58MM.	3198	036	90010					
9690	Wire Jumper, 0.58MM.	3198	036	90010					
9691	Wire Jumper, 0.58MM.	3198	036	90010					
9694	Wire Jumper, 0.58MM.	3198	036	90010					
9695	Wire Jumper, 0.58MM.	3198	036	90010					
9697	Wire Jumper, 0.58MM.	3198	036	90010					
9698	Wire Jumper, 0.58MM.	3198	036	90010					
9699	Wire Jumper, 0.58MM.	3198	036	90010					
9821	Wire Jumper, 0.58MM.	3198	036	90010					
9822	Wire Jumper, 0.58MM.	3198	036	90010					
9824	Wire Jumper, 0.58MM.	3198	036	90010					
9825	Wire Jumper, 0.58MM.	3198	036	90010					

CRT Panel Parts (Part of Main Chassis)

CRT Panel Parts (Part of Main Chassis)									
S 0244	Connector, 5 Pin	2422	025	04853					
S 0245	Connector, 6 Pin	2422	025	04854					
S 0254	Socket, CRT, 9 Pin, N-Neck	2422	500	80076					
2330	Cap, 100n, 10%, 250v, Metalized Polyp ropylene	2222	368	90177					
2340	Cap, 10u, 20%, 250v, Electrolytic	2020	012	93495					
2341	Cap, 3n3, 10%, 500v, Ceramic	3198	019	43320					
2342	Cap, 560p, 5%, 50v, Ceramic	3198	016	05610					
2343	Cap, 3n3, 10%, 2000v, Ceramic	2020	558	90529					
2344	Cap, 100n, ?20%, 25v, Ceramic	3198	023	21040					
2345	Cap, 1n, 10%, 500v, Ceramic	3198	019	41020					
3331	Res, 100 ohm, 5%, 1/6W, Carbon Film	3198	011	01010					
3332	Res, 1K, 20%, 1/2W, Carbon Film	3198	013	01020					
3333	Res, 100 ohm, 5%, 1/6W, Carbon Film	3198	011	01010					
3334	Res, 1K, 20%, 1/2W, Carbon Film	3198	013	01020					
3335	Res, 100 ohm, 5%, 1/6W, Carbon Film	3198	011	01010					
3336	Res, 1K, 20%, 1/2W, Carbon Film	3198	013	01020					
S 3340	Res, 10 ohm, 5%, 1/2W, Metal Film	2306	207	03109					
S 3341	Res, 1 ohm, 5%, 1/3W, Metal Film	2306	204	03108					
S 3342	Res, 1 ohm, 5%, 1/3W, Metal Film	2306	204	03108					
3343	Res, 1K5, 20%, 1/2W, Carbon Film	3198	013	01520					
3344	Res, 22 ohm, 5%, 1/6W, Carbon Film	3198	011	02290					
S 3345	VDR, DC, 1mA, 50V, MAX, 115V	2322	593	13507					
3346	Res, 22 ohm, 5%, 1/6W, Carbon Film	3198	011	02290					
3347	Res, Zero ohm, "Chip" Jumper	3198	021	90020					
3350	Res, Zero ohm, "Chip" Jumper	3198	021	90020					
3353	Res, Zero ohm, "Chip" Jumper	3198	021	90020					
5342	Coil, 22u.	2422	535	97333					
6331	Diode, Signal, BAV21	3198	010	10070					
6332	Diode, Signal, BAS316	3198	010	10630					
6333	Diode, Signal, BAV21	3198	010	10070					
6335	Diode, Signal, BAV21	3198	010	10070					
7330	IC, TDA6107Q/N2	9352	576	50112					
9311	Wire Jumper, 0.58MM.	3198	036	90010					
9341	Wire Jumper, 0.58MM.	3198	036	90010					
9342	Wire Jumper, 0.58MM.	3198	036	90010					
9343	Wire Jumper, 0.58MM.	3198	036	90010					

S = Safety Part. Be sure to use exact replacement part.

25PS40S325 - Manual no. 7629

Cabinet & Accessory Parts

	Cabinet & Accessory Parts			
S AC01	Mainboard, 125V, 10A	3135	010	03831
AC03	Battery, Zinc, 1.5V (2-Pack)	9299	000	65263
AC04	Cabinet, Back.	3121	237	53031
AC09	Clip, Anode Lead	3135	014	04471
S AC10	CRT A63QDB891X01	9322	151	39682
AC11	Knob, Control Panel.	3139	137	86221
AC13	Holder, Degaussing (4 Used).	3135	013	01641
AC12	Coil, Degaussing	2422	549	44489
AC16	Owners Manual.	3121	235	20061
AC20	Cabinet, Front Assembly - Model 29PS4 0S325.	3121	237	51761
AC20A	Cabinet, Front	3139	137	86241
AC20B	Chassis Guide.	3139	124	37561
AC20D	Light Guide.	3139	124	36551
AC20F	Knob, Mains, Assembly	3139	137	86231
AC20J	Speaker, 16R, 5W, (2 Used)	2422	264	00411
AC21	Yoke DSE2603CL (M) for A63DQB891X01.	4835	310	57502
AC22	Spring	3139	121	26231
AC23	Braid Assembly	3135	010	07301
REMOTE	Remote Transmitter, RC19335004/01.	3139	228	86462

Main Chassis Assembly Parts

	Main Chassis Assembly Parts			
1000	Tuner, V+U PLL	2422	542	90098
0118	U-Cooling Plate.	3139	121	26731
0122	Heatsink, Vertical	3139	121	62213
0124	Heatsink, SOPS	3139	121	62201
0127	Socket, Fuse	2422	088	00271
0129	NTC, Holder.	3139	120	10151
0137	Spring	3139	121	24581
0138	IC-Spring.	3104	301	22081
0139	Spring for Bracket	3122	121	24786
0141	IC-Spring.	3104	301	22081
0152	Cable, DIP, 6 Pin, 400mm	3104	301	09421
0153	Cable, DIPMate, 5 Pin, 480mm	3139	121	07951
0211	Connector, 2 Pin	2422	025	16269
S 0212	Connector, 2 Pin	2422	025	16375
0219	Connector, 6 Pin	2422	025	12482
S 0220	Connector, 5 Pin	2422	025	04853
S 0221	Connector, 4 Pin	2422	025	15503
S 0222	Connector, 2 Pin	2422	025	10646
S 0243	Connector, 6 Pin	2422	025	04854
0246	Connector, 5 Pin	2422	025	12481
0267	Connector, 3 Pin	2412	020	00725
1002	SAW Filter, 45MHz75, OFWM1971M	2422	549	44518
1200	Filter, Ceramic, 4MHz5	2422	549	40807
S 1500	Fuse, 4A, 250V, IEC	2422	086	10914
S 1515	Relay, 12V, 5A G5PA-1.	2422	132	07444
1600	Switch, Tactile.	2422	128	02742
1601	Switch, Tactile.	2422	128	02742
1602	Switch, Tactile.	2422	128	02742
1603	Switch, Tactile.	2422	128	02742
1606	Switch, Tactile.	2422	128	02742
1660	Crystal, 12MHz000.	2422	543	01203
1861	Ceramic Resonator, 514KHz5, CSB503F58	2422	540	98344
2004	Cap, 47n, 10%, 25v, Ceramic.	3198	023	04730
2005	Cap, 10u, 20%, 50v, Electrolytic	3198	025	51090
2006	Cap, 470u, 20%, 16v, Electrolytic.	3198	025	24710
2007	Cap, 100n, +80/-20%, 25v, Ceramic.	3198	023	21040
2008	Cap, 100u, 20%, 25v, Electrolytic.	3198	025	31010
2009	Cap, 22n, 10%, 50v, Ceramic.	3198	017	02230
2181	Cap, 22p, 5%, 50v, Ceramic	3198	016	02290
2184	Res, Zero ohm, "Chip" Jumper	3198	021	90020
2202	Cap, 100n, +80/-20%, 25v, Ceramic.	3198	023	21040
2203	Cap, 100n, +80/-20%, 25v, Ceramic.	3198	023	21040
2204	Cap, 100n, +80/-20%, 25v, Ceramic.	3198	023	21040
2205	Cap, 220n, +80/-20%, 25v, Ceramic.	3198	023	22240
2208	Cap, 100n, +80/-20%, 25v, Ceramic.	3198	023	21040
2209	Cap, 4u7, 20%, 50v, Electrolytic	3198	025	54780
2210	Cap, 1u, +80/-20%, 16v, Ceramic.	3198	017	21050
2211	Cap, 470n, +80/-20%, 16v, Ceramic.	3198	017	24740
2216	Cap, 1000u, 20%, 16v, Electrolytic	3198	026	21020
2217	Cap, 22n, 10%, 50v, Ceramic.	3198	017	02230
2219	Cap, 220n, +80/-20%, 25v, Ceramic.	3198	023	22240
2226	Cap, 100p, 5%, 50v, Ceramic.	3198	016	01010
2227	Cap, 4n7, 10%, 50v, Ceramic.	3198	017	04720
2228	Cap, 820p, 5%, 50v, Ceramic.	3198	016	08210
2229	Cap, 10u, 20%, 50v, Electrolytic	3198	025	51090
2241	Cap, 1n5, 10%, 50v, Ceramic.	3198	017	01520
2242	Cap, 1u, +80/-20%, 16v, Ceramic.	3198	017	21050
2243	Cap, 2n2, 10%, 50v, Ceramic.	3198	017	02220
2244	Cap, 100n, 5%, 63v, Metalized Polyester er.	2222	370	76104
2245	Cap, 220n, +80/-20%, 25v, Ceramic.	3198	023	22240
2247	Cap, 1000u, 20%, 16v, Electrolytic	3198	026	21020
2248	Cap, 22n, 10%, 50v, Ceramic.	3198	017	02230
2249	Cap, 22n, 10%, 50v, Ceramic.	3198	017	02230
2250	Cap, 2u2, 20%, 50v, Electrolytic	3198	025	52280
2252	Cap, 1n, 5%, 50v, Ceramic.	3198	016	01020
2253	Cap, 1n, 5%, 50v, Ceramic.	3198	016	01020

2254	Res, Zero ohm, "Chip" Jumper	3198	021	90020
2405	Cap, 220u, 20%, 25v, Electrolytic.	3198	025	32210
2441	Cap, 1u, 20%, 50v, Electrolytic.	3198	025	51080
2443	Cap, 47n, +80/-20%, 50v, Ceramic	3198	017	24730
2444	Cap, 1u, 20%, 50v, Electrolytic.	3198	025	51080
2450	Cap, 47u, 20%, 160v, Electrolytic.	2020	021	91139
2451	Cap, 15n, 10%, 50v, Polyester.	3198	014	01530
2452	Res, Zero ohm, "Chip" Jumper	3198	021	90020
2455	Cap, 47u, 20%, 25v, Electrolytic.	3198	025	34790
2457	Cap, 470n, 5%, 250v, Polypropylene	2222	479	90023
2458	Cap, 2u2, 20%, 100v, Electrolytic.	2020	021	91331
2459	Cap, 680p, 10%, 500v, Ceramic.	3198	019	46810
2460	Cap, 100p, 5%, 50v, Ceramic.	3198	016	01010
2462	Cap, 330n, 10%, 250v, Polypropylene	2022	333	00084
2463	Cap, 470p, 10%, 2000v, Ceramic	2020	558	90483
2465	Cap, 11n, 5%, 1600v, Polypropylene	2222	375	90155
2471	Cap, 100n, 10%, 50v, Polyester	3198	014	01040
2472	Cap, 150n, 10%, 63v, Polyester	2222	365	75154
2473	Cap, 100n, 10%, 63v, Polyester	2222	365	75104
2474	Cap, 2n2, 10%, 50v, Ceramic.	3198	017	02220
2475	Cap, 2n2, 10%, 50v, Ceramic.	3198	017	02220
2476	Cap, 4n7, 10%, 50v, Ceramic.	3198	017	04720
2480	Cap, 47u, 20%, 25v, Electrolytic	2020	021	90586
2481	Cap, 470p, 10%, 500v, Ceramic.	3198	019	44710
2482	Cap, 68n, 10%, 250v, Polyester	2222	347	90234
2485	Cap, 4u7, 20%, 250v, Electrolytic.	2020	021	90856
2486	Cap, 470u, 20%, 16v, Electrolytic.	2020	021	91577
2487	Cap, 47u, 20%, 50v, Electrolytic	2020	021	90854
2488	Cap, 1000u, 20%, 16v, Electrolytic	2020	021	91049
2489	Cap, 470u, 20%, 16v, Electrolytic.	2020	021	91577
2491	Cap, 1n, 10%, 500v, Ceramic.	3198	019	41020
2500	Cap, 470n, 20%, 275v, Polypropylene.	2222	336	29148
2501	Cap, 2n2, 10%, 1000v, Ceramic.	3198	019	52220
2502	Cap, 2n2, 10%, 1000v, Ceramic.	3198	019	52220
2503	Cap, 470u, 20%, 200v, Electrolytic	2020	024	90626
2505	Cap, 2n2, 10%, 1000v, Ceramic.	3198	019	52220
2507	Cap, 470p, 10%, 50v, Ceramic	3198	017	04710
2508	Cap, 470p, 10%, 1000v, Ceramic	3198	019	64710
S 2515	Cap, 1n5, 20%, v, Ceramic.	2020	554	90128
2520	Cap, 100n, 10%, 16v, Ceramic	3198	017	01040
2521	Cap, 22u, 20%, 50v, Electrolytic	3198	025	52290
2522	Cap, 100n, 10%, 16v, Ceramic	3198	017	01040
2523	Cap, 1n5, 10%, 2000v, Ceramic.	2020	558	90489
2525	Cap, 470p, 10%, 50v, Ceramic	3198	017	04710
2527	Cap, 2n2, 10%, 50v, Ceramic.	3198	017	02220
2528	Cap, 1n, 10%, 50v, Ceramic.	3198	017	01020
2540	Cap, 10n, 10%, 50v, Ceramic.	3198	017	01030
2541	Cap, 10n, 10%, 50v, Ceramic.	3198	017	01030
2560	Cap, 680p, 10%, 1000v, Ceramic	3198	019	66810
2561	Cap, 100u, 20%, 160v, Electrolytic	2020	021	91654
2562	Cap, 1n, 10%, 50v, Ceramic	3198	019	11020
2563	Cap, 100n, 10%, 50v, Polyester	3198	014	01040
2564	Cap, 2u2, 20%, 25v, Electrolytic	2020	021	91353
2567	Cap, 47u, 20%, 25v, Electrolytic	3198	025	34790
2568	Cap, 1u, 20%, 50v, Electrolytic.	3198	025	51080
2580	Cap, 47u, 20%, 16v, Electrolytic	3198	028	24790
2581	Cap, 22u, 20%, 50v, Electrolytic	3198	025	52290
2601	Cap, 220n, +80/-20%, 25v, Ceramic.	3198	023	22240
2602	Cap, 100p, 5%, 50v, Ceramic.	3198	016	01010
2606	Cap, 470n, +80/-20%, 16v, Ceramic.	3198	017	24740
2607	Cap, 33p, 5%, 50v, Ceramic	3198	016	03390
2608	Cap, 1u, +80/-20%, 16v, Ceramic.	3198	017	21050
2609	Cap, 33p, 5%, 50v, Ceramic	3198	016	03390
2611	Cap, 1u, +80/-20%, 16v, Ceramic.	3198	017	21050
2612	Cap, 68p, 5%, 50v, Ceramic	3198	016	06890
2613	Cap, 68p, 5%, 50v, Ceramic	3198	016	06890
2615	Cap, 1n, 10%, 50v, Ceramic	3198	017	01020
2618	Cap, 1u, +80/-20%, 16v, Ceramic.	3198	017	21050
2619	Cap, 1u, +80/-20%, 16v, Ceramic.	3198	017	21050
2691	Cap, 220u, 20%, 25v, Electrolytic.	3198	025	32210
2805	Cap, 2u2, +80/-20%, 10v, Ceramic	3198	017	22250
2806	Cap, 2u2, +80/-20%, 10v, Ceramic	3198	017	22250
2861	Cap, 220n, +80/-20%, 25v, Ceramic.	3198	023	22240
2862	Cap, 2u2, +80/-20%, 10v, Ceramic	3198	017	22250
2864	Cap, 2u2, 20%, 50v, Electrolytic	3198	025	52280
2865	Cap, 2u2, 20%, 50v, Electrolytic	3198	025	52280
2866	Cap, 2u2, +80/-20%, 10v, Ceramic	3198	017	22250
2867	Cap, 3n3, 10%, 50v, Ceramic.	3198	017	03320
2868	Cap, 150p, 5%, 50v, Ceramic.	3198	016	01510
2869	Cap, 47n, 10%, 50v, Polyester.	3198	014	04730
2870				

25PS40S325 (continued)

2884	Cap, 2u2, 20%, 50v, Electrolytic . . .	3198 025 52280	3488	Res, 4R7, 5%, 1/2W, Metal Film . . .	2306 207 03478
2885	Cap, 220n, 10%, 50v, Polyester . . .	3198 014 02240	3490	Res, 8K2, 5%, 1/6W, Carbon Film. . .	3198 011 08220
2886	Cap, 220n, +80/-20%, 25v, Ceramic. . .	3198 023 22240	3492	Res, 1K, 5%, 1/10W, Metalized Glass.	3198 021 51020
2902	Cap, 220u, 20%, 50v, Electrolytic. . .	3198 026 52210	3493	Res, 6R8, 5%, 1/3W, Metal Film . . .	2306 204 03688
2903	Cap, 1u, 20%, 50v, Electrolytic. . .	3198 025 51080	3494	Res, 4R7, 5%, 1/2W, Metal Film . . .	2306 207 03478
2904	Cap, 470n, +80/-20%, 16v, Ceramic. . .	3198 017 24740	3495	Res, 22K, 5%, 1/10W, Metalized Glass	3198 021 52230
2905	Cap, 1n, 10%, 50v, Ceramic	3198 017 01020	3496	Res, 100K, 5%, 1/10W, Metalized Glass	3198 021 51040
2906	Cap, 470n, +80/-20%, 16v, Ceramic. . .	3198 017 24740	3497	Res, 100K, 5%, 1/10W, Metalized Glass	3198 021 51040
2907	Cap, 1n, 10%, 50v, Ceramic	3198 017 01020	3498	Res, 12K, 5%, 1/10W, Metalized Glass	3198 021 51230
2908	Cap, 10u, 20%, 50v, Electrolytic . . .	3198 025 51090	3499	Res, 10K, 5%, 1/10W, Metalized Glass	3198 021 51030
2910	Cap, 3n3, 10%, 50v, Ceramic.	3198 017 03320	S 3500	Res, 3M3, 5%, 1/2W, Metalized Glass.	2322 242 13335
2911	Cap, 3n3, 10%, 50v, Ceramic.	3198 017 03320	S 3501	Res, 3M3, 5%, 1/2W, Metalized Glass.	2322 242 13335
2950	Cap, 330p, 5%, 50v, Ceramic.	3198 016 03310	S 3504	PTC, DC, 120V, P3020 B.	2120 661 00025
3000	Res, 100 ohm, 5%, 1/6W, Carbon Film.	3198 011 01010	S 3506	Res, 1M5, 5%, 1/2W, Metalized Glass.	2322 242 13155
3001	Res, 100 ohm, 5%, 1/6W, Carbon Film.	3198 011 01010	S 3507	Surge Protector.	2422 549 40373
3002	Res, Zero ohm, "Chip" Jumper	3198 021 90020	S 3508	Res, 220 ohm, 20%, 1/2W, Carbon Film	3198 013 02210
3003	Res, 1K5, 5%, 1/10W, Metalized Glass	3198 021 51520	S 3510	NTC, DC, B57237, 3W1, 4R7, 20% . . .	2122 612 00056
3004	Res, 8K2, 5%, 1/10W, Metalized Glass	3198 021 58220	3519	Res, 270 ohm, 5%, 1/6W, Carbon Film.	3198 011 02710
3005	Res, 100 ohm, 5%, 1/6W, Carbon Film.	3198 011 01010	3520	Res, 1K2, 5%, 1/10W, Metalized Glass	3198 021 51220
3200	Res, 390 ohm, 5%, 1/6W, Carbon Film.	3198 011 03910	3521	Res, 4R7, 5%, 1/6W, Carbon Film. . .	3198 011 04780
3201	Res, 100 ohm, 5%, 1/6W, Carbon Film.	3198 011 01010	3522	Res, 330K, 1%, 1/8W, Metalized Glass	2322 734 63304
3202	Res, 100 ohm, 5%, 1/6W, Carbon Film.	3198 011 01010	S 3523	Res, 100 ohm, 5%, 1/3W, Metal Film . .	2306 204 03101
3203	Res, 100 ohm, 5%, 1/6W, Carbon Film.	3198 011 01010	3524	Res, 56K, 5%, 1/10W, Metalized Glass	3198 021 55630
3204	Res, 22K, 5%, 1/6W, Carbon Film. . .	3198 011 02230	3525	Res, 1K, 5%, 1/10W, Metalized Glass.	3198 021 51020
3206	Res, 33K, 5%, 1/10W, Metalized Glass	3198 021 53330	3526	Res, 0R1, 5%, 3/5W, Metal Film . . .	3198 012 11070
3207	Res, 1K, 5%, 1/6W, Carbon Film . . .	3198 011 01020	3527	Res, 0R33, 5%, 3/5W, Metal Film. . .	3198 021 13370
3208	Res, 220 ohm, 5%, 1/10W, Metalized Gl		3528	Res, Zero ohm, "Chip" Jumper	3198 021 90020
	ass.	3198 021 52210	3529	Res, 47K, 5%, 1/10W, Metalized Glass	3198 021 54730
3209	Res, 68 ohm, 5%, 1/10W, Metalized Gla		3530	Res, 10K, 5%, 1/10W, Metalized Glass	3198 021 51030
	ss.	3198 021 56890	3531	Res, 4K7, 5%, 1/10W, Metalized Glass	3198 021 54720
3212	Res, 470 ohm, 5%, 1/10W, Metalized Gl		S 3532	Res, 2K2, 5%, 1/3W, Metal Film . . .	2306 204 03222
	ass.	3198 021 54710	3541	Res, 470 ohm, 5%, 1/10W, Metalized Gl	
3213	Res, 560 ohm, 5%, 1/6W, Carbon Film.	3198 011 05610		ass.	3198 021 54710
3217	Res, 330K, 5%, 1/10W, Metalized Glass	3198 021 53340	3542	Res, 1K5, 5%, 1/10W, Metalized Glass	3198 021 51520
3218	Res, 82K, 5%, 1/10W, Metalized Glass	3198 021 58230	3543	Res, 82K, 1%, 3/5W, Metal Film . . .	2312 915 18203
3219	Res, 2K2, 5%, 1/10W, Metalized Glass	3198 021 52220	3544	Res, 4K7, 1%, 1/8W, Metalized Glass.	2322 734 64702
3226	Res, 560 ohm, 5%, 1/10W, Metalized Gl		3545	Res, 270K, 5%, 1/8W, Metalized Glass	2322 730 61274
	ass.	3198 021 55610	3548	Res, 15K, 5%, 1/10W, Metalized Glass	3198 021 51530
3232	Res, 2K2, 5%, 1/10W, Metalized Glass	3198 021 52220	3552	Res, 4K7, 5%, 1/10W, Metalized Glass	3198 021 54720
3235	Res, 100 ohm, 5%, 1/6W, Carbon Film.	3198 011 01010	3557	Res, 1K, 5%, 1/10W, Metalized Glass.	3198 021 51020
3241	Res, 22K, 5%, 1/10W, Metalized Glass	3198 021 52230	3561	Res, 100 ohm, 5%, 1/6W, Carbon Film.	3198 011 01010
3242	Res, 12K, 5%, 1/10W, Metalized Glass	3198 021 51230	3562	Res, 12K, 5%, 1/10W, Metalized Glass	3198 021 51230
3244	Res, 820 ohm, 5%, 1/6W, Carbon Film.	3198 011 08210	3563	Res, 5K6, 5%, 1/10W, Metalized Glass	3198 021 55620
3245	Res, 39K, 1%, 1/8W, Metalized Glass.	2322 734 63903	3564	Res, 0R1, 5%, 1 1/3W, Metal Film . . .	3198 012 21070
3246	Res, 10K, 5%, 1/10W, Metalized Glass	3198 021 51030	3565	Res, 330 ohm, 5%, 1W, Metal Film . . .	3198 012 13310
3247	Res, 680K, 5%, 1/10W, Metalized Glass	3198 021 56840	3566	Res, 2K2, 5%, 1/10W, Metalized Glass	3198 021 52220
3248	Res, 33K, 5%, 1/10W, Metalized Glass	3198 021 53330	3567	Res, 3K3, 5%, 1/10W, Metalized Glass	3198 021 53320
3249	Res, 820 ohm, 5%, 1/6W, Carbon Film.	3198 011 08210	3569	Res, 5K6, 5%, 1/10W, Metalized Glass	3198 021 55620
3250	Res, 8K2, 5%, 1/6W, Carbon Film. . .	3198 011 08220	3580	Res, 47K, 5%, 1/10W, Metalized Glass	3198 021 54730
3251	Res, 100 ohm, 5%, 1/6W, Carbon Film.	3198 011 01010	3594	Res, 330 ohm, 5%, 1/10W, Metalized Gl	
3256	Res, 1K, 5%, 1/10W, Metalized Glass.	3198 021 51020		ass.	3198 021 53310
3257	Res, 10M, 5%, 1/10W, Metalized Glass	3198 021 51060	3595	Res, 220K, 5%, 1/10W, Metalized Glass	3198 021 52240
3258	Res, 100K, 5%, 1/10W, Metalized Glass	3198 021 51040	3596	Res, 220K, 5%, 1/10W, Metalized Glass	3198 021 52240
3259	Res, 470K, 5%, 1/10W, Metalized Glass	3198 021 54740	3603	Res, 100 ohm, 5%, 1/6W, Carbon Film.	3198 011 01010
3441	Res, 100 ohm, 5%, 1/10W, Metalized Gl		3604	Res, 100 ohm, 5%, 1/6W, Carbon Film.	3198 011 01010
	ass.	3198 021 51010	3606	Res, 2K2, 5%, 1/6W, Carbon Film. . .	3198 011 02220
3442	Res, Zero ohm, "Chip" Jumper	3198 021 90020	3607	Res, 2K2, 5%, 1/6W, Carbon Film. . .	3198 011 02220
3443	Res, 1M, 5%, 1/10W, Metalized Glass.	3198 021 51050	3608	Res, 100 ohm, 5%, 1/6W, Carbon Film.	3198 011 01010
3445	Res, 15K, 5%, 1/6W, Carbon Film. . .	3198 011 01530	3611	Res, 100 ohm, 5%, 1/10W, Metalized Gl	
3446	Res, 5K6, 5%, 1/6W, Carbon Film. . .	3198 011 05620		ass.	3198 021 51010
3447	Res, 180 ohm, 5%, 1/6W, Carbon Film.	3198 011 01810	3618	Res, 6K8, 5%, 1/6W, Carbon Film. . .	3198 011 06820
3448	Res, 820 ohm, 5%, 1/6W, Carbon Film.	3198 011 08210	3622	Res, Zero ohm, "Chip" Jumper	3198 021 90020
3449	Res, 68 ohm, 5%, 1/6W, Carbon Film . .	3198 011 06890	3623	Res, 4K7, 5%, 1/10W, Metalized Glass	3198 021 54720
3450	Res, 33 ohm, 5%, 1/6W, Carbon Film . .	3198 011 03390	3624	Res, 100 ohm, 5%, 1/6W, Carbon Film.	3198 011 01010
S 3451	Res, 10 ohm, 5%, 1/3W, Metal Film. . .	2306 204 03109	3625	Res, 100 ohm, 5%, 1/6W, Carbon Film.	3198 011 01010
3452	Res, 10K, 1%, 3/5W, Metal Film	2312 915 11003	3626	Res, 4K7, 5%, 1/10W, Metalized Glass	3198 021 54720
3453	Res, 1K, 5%, 1/6W, Carbon Film	3198 011 01020	3627	Res, 4K7, 5%, 1/10W, Metalized Glass	3198 021 54720
3454	Res, 3K9, 1%, 3/5W, Metal Film	2312 915 13902	3628	Res, 10K, 5%, 1/10W, Metalized Glass	3198 021 51030
3455	Res, 6R8, 5%, 1 1/3W, Metal Film . . .	3198 012 26880	3630	Res, 470 ohm, 1%, 1/10W, Metalized Gl	
3456	Res, Zero ohm, "Chip" Jumper	3198 021 90020		ass.	2120 108 92612
3457	Res, Zero ohm, "Chip" Jumper	3198 021 90020	3632	Res, Zero ohm, "Chip" Jumper	3198 021 90020
3458	Res, 1K, 5%, 1/6W, Carbon Film	3198 011 01020	3636	Res, 100 ohm, 5%, 1/10W, Metalized Gl	
3459	Res, 15K, 5%, 1 1/3W, Metal Film . . .	3198 012 21530		ass.	3198 021 51010
3460	Res, 3K9, 5%, 1/6W, Carbon Film. . . .	3198 011 03920	3637	Res, 75 ohm, 5%, 1/10W, Metalized Gla	
3463	Res, 33 ohm, 5%, 1/6W, Carbon Film . .	3198 011 03390		ss.	3198 021 57590
3465	Res, 27K, 1%, 3/5W, Metal Film	2312 915 12703	3639	Res, Zero ohm, "Chip" Jumper	3198 021 90020
3468	Res, 220 ohm, 5%, 1/6W, Carbon Film.	3198 011 02210	3681	Res, 180 ohm, 1%, 1/10W, Metalized Gl	
3469	Res, 3K3, 5%, 1/6W, Carbon Film. . . .	3198 011 03320		ass.	2120 108 92606
3470	Res, 330K, 5%, 1/10W, Metalized Glass	3198 021 53340	3682	Res, 270 ohm, 1%, 1/10W, Metalized Gl	
3471	Res, 3R3, 1%, 3/5W, Metal Film	2312 915 13308		ass.	2120 108 92608
3472	Res, 3R3, 1%, 3/5W, Metal Film	2312 915 13308	3683	Res, 390 ohm, 1%, 1/10W, Metalized Gl	
3473	Res, 3R3, 1%, 3/5W, Metal Film	2312 915 13308		ass.	2120 108 92611
3474	Res, 2K2, 1%, 3/5W, Metal Film	2312 915 12202	3684	Res, 390 ohm, 1%, 1/10W, Metalized Gl	
3475	Res, 2K2, 1%, 3/5W, Metal Film	2312 915 12202		ass.	2120 108 92611
3477	Res, 150 ohm, 5%, 1/6W, Carbon Film.	3198 011 01510	3686	Res, Zero ohm, "Chip" Jumper	3198 021 90020
3478	Res, 150 ohm, 5%, 1/6W, Carbon Film.	3198 011 01510	3687	Res, 75 ohm, 1%, 1/10W, Metalized Gla	
3479	Res, 2K7, 5%, 1/10W, Metalized Glass	3198 021 52720		ss.	2120 108 91437
3480	Res, 1R5, 5%, 1/4W, Carbon Film. . . .	2120 101 74158	3688	Res, 68 ohm, 1%, 1/10W, Metalized Gla	
3481	Res, 15K, 1%, 3/5W, Metal Film	2312 915 11503		ss.	2120 108 92603
3482	Res, 12K, 1%, 3/5W, Metal Film	2312 915 11203	3689	Res, 2K7, 1%, 1/10W, Metalized Glass	2120 108 92621
3484	Res, 3K9, 5%, 1/6W, Carbon Film. . . .	3198 011 03920	3691	Res, 330 ohm, 5%, 1/10W, Metalized Gl	
3486	Res, 33 ohm, 5%, 2 1/2W, Metal Film.	3198 012 33390		ass.	3198 021 53310

S = Safety Part Be sure to use exact replacement part.

25PS40S325 (continued)

3693	Res, 220 ohm, 5%, 1/10W, Metalized Gl ass.	3198 021 52210	6468	Diode, Signal, BAS316.	3198 010 10630
3694	Res, 4K7, 5%, 1/10W, Metalized Glass	3198 021 54720	6469	Diode, Rect, BYD33J	9337 234 20133
3861	Res, 100K, 5%, 1/10W, Metalized Glass	3198 021 51040	6470	Diode, Signal, BAV99	3198 010 10620
3862	Res, 15K, 5%, 1/10W, Metalized Glass	3198 021 51530	6476	Zener Diode, 15 volt	3198 010 21590
3863	Res, 1K2, 5%, 1/10W, Metalized Glass	3198 021 51220	6481	Zener Diode, 5.6 volt.	3198 010 25680
3864	Res, 100 ohm, 5%, 1/10W, Metalized Gl ass.	3198 021 51010	6482	Zener Diode, 9.1 volt.	9331 177 80133
3865	Res, 100 ohm, 5%, 1/6W, Carbon Film.	3198 011 01010	6483	Zener Diode, 33 volt	3198 010 23390
3866	Res, 100 ohm, 5%, 1/6W, Carbon Film.	3198 011 01010	6485	Diode, Rect, BYD33J	9337 234 20133
3867	Res, 3K3, 5%, 1/10W, Metalized Glass	3198 021 53320	6486	Diode, Rect, EGP20DL-5100	9322 164 42682
3901	Res, 1K, 5%, 1/10W, Metalized Glass	3198 021 51020	6487	Diode, Rect, BYD33D	9337 234 00133
3902	Res, 3K3, 5%, 1/10W, Metalized Glass	3198 021 53320	6488	Diode, Rect, EGP20DL-5100	9322 164 42682
3903	Res, 3K3, 5%, 1/10W, Metalized Glass	3198 021 53320	6500	Diode, Bridge Rect, GBU4JL-7002	9322 132 55667
3904	Res, 10K, 5%, 1/10W, Metalized Glass	3198 021 51030	6520	Diode, Rect, BYD33D	9337 234 00133
3905	Res, 3K3, 5%, 1/10W, Metalized Glass	3198 021 53320	6523	Diode, Signal, 1N4148.	3198 010 10010
3906	Res, 10K, 5%, 1/10W, Metalized Glass	3198 021 51030	6524	Diode, Rect, 1N5062	3198 010 10120
3907	Res, 8K2, 5%, 1/10W, Metalized Glass	3198 021 58220	6525	Diode, Rect, 1N5062	3198 010 10120
4001	Res, Zero ohm, "Chip" Jumper	3198 021 90020	6526	Zener Diode, 22 volt	3198 020 52290
4002	Res, Zero ohm, "Chip" Jumper	3198 021 90020	6540	Zener Diode, 6.2 volt.	9331 668 30133
4181	Res, Zero ohm, "Chip" Jumper	3198 021 90020	6541	Zener Diode, 10 volt	3198 020 51090
4214	Res, Zero ohm, "Chip" Jumper	3198 021 90020	6560	Diode, Rect, BYV29X-500	9340 555 59127
4216	Res, Zero ohm, "Chip" Jumper	3198 021 90020	6562	Diode, Rect, EGP20DL-5100	9322 164 42682
4217	Res, Zero ohm, "Chip" Jumper	3198 021 90020	6563	Diode, Signal, BAS316.	3198 010 10630
4401	Res, Zero ohm, "Chip" Jumper	3198 021 90020	6565	Diode, Signal, BAV70	9331 849 10215
4402	Res, Zero ohm, "Chip" Jumper	3198 021 90020	6566	Diode, Signal, 1N4148.	3198 010 10010
4430	Res, Zero ohm, "Chip" Jumper	3198 021 90020	6569	Diode, Signal, BAS316.	3198 010 10630
4500	Res, Zero ohm, "Chip" Jumper	3198 021 90020	6570	Zener Diode, 6.8 volt.	3198 020 56880
4601	Res, Zero ohm, "Chip" Jumper	3198 021 90020	6580	Diode, Signal, BAS316.	3198 010 10630
4613	Res, Zero ohm, "Chip" Jumper	3198 021 90020	6691	LED, LTL-10224WHCR.	9322 050 99682
4614	Res, Zero ohm, "Chip" Jumper	3198 021 90020	6692	IR Receiver, TSOP1836UH3V	9322 127 54667
4615	Res, Zero ohm, "Chip" Jumper	3198 021 90020	6901	Res, Zero ohm, "Chip" Jumper	3198 021 90020
4617	Res, Zero ohm, "Chip" Jumper	3198 021 90020	6903	Diode, Rect, 1N5062	3198 010 10120
4619	Res, Zero ohm, "Chip" Jumper	3198 021 90020	7200	IC, TDA9577H/N1/A/0819	9352 716 20557
4622	Res, Zero ohm, "Chip" Jumper	3198 021 90020	7201	Transistor, NPN, BC847B.	3198 010 42030
4623	Res, Zero ohm, "Chip" Jumper	3198 021 90020	7204	Transistor, PNP, BC857B.	3198 010 42150
4691	Res, Zero ohm, "Chip" Jumper	3198 021 90020	7441	Transistor, PNP, BC857B.	3198 010 42150
4692	Res, Zero ohm, "Chip" Jumper	3198 021 90020	7443	Transistor, PNP, BC557B.	3198 020 40110
4693	Res, Zero ohm, "Chip" Jumper	3198 021 90020	7450	Transistor, PNP, PDA114ET	3198 010 44010
4801	Res, Zero ohm, "Chip" Jumper	3198 021 90020	7460	Transistor, NPN, BU4508DX.	9340 550 92127
4802	Res, Zero ohm, "Chip" Jumper	3198 021 90020	7461	Transistor, NPN, BC337-25.	3198 020 43530
4803	Res, Zero ohm, "Chip" Jumper	3198 021 90020	7462	Transistor, NPN, PDA143ZT	9340 547 00215
4805	Res, Zero ohm, "Chip" Jumper	3198 021 90020	7463	Transistor, PNP, BC327-25.	3198 020 43430
4807	Res, Zero ohm, "Chip" Jumper	3198 021 90020	7471	IC, TDA8359J/N2.	9352 701 64112
4809	Res, Zero ohm, "Chip" Jumper	3198 021 90020	7480	Transistor, NPN, BD135	3198 020 41010
4901	Res, Zero ohm, "Chip" Jumper	3198 021 90020	7482	Transistor, NPN, BD135	3198 020 41010
4903	Res, Zero ohm, "Chip" Jumper	3198 021 90020	S 7515	Optic, Coupler, TCET1104(G).	9322 175 72667
4982	Res, Zero ohm, "Chip" Jumper	3198 021 90020	7520	IC, TEA1507P/N1.	9352 673 56112
5001	Coil, 27u.	3198 018 22790	7521	FET Power, STP8NC50FP.	9322 160 72687
5002	Coil, 820n	3198 018 18270	7522	Transistor, NPN, BC847B.	3198 010 42030
5201	Coil, 6u8.	3198 018 16880	7540	Transistor, NPN, BC547B.	3198 020 40030
5202	Coil, 10u.	3198 018 21090	7541	Transistor, NPN, PDA114ET	9340 310 10215
5204	Fixed, Inductor, 100MHz, 80 ohm.	3198 018 90020	7542	Transistor, PNP, BC857B.	3198 010 42150
5205	Fixed, Inductor, 100MHz, 80 ohm.	3198 018 90020	7560	IC, L78L33ACZ.	9322 134 92676
5206	Wire Jumper, 0.58MM.	3198 036 90010	7561	Transistor, NPN, PDA143ZT	9340 547 00215
5241	Coil, 10u.	3198 018 21090	7580	Transistor, PNP, BC857B.	3198 010 42150
5242	Coil, 10u.	3198 018 11090	7602	IC, M24C08-WBN6.	9322 154 38682
S 5445	Transformer, SLOT, 1342.0043B Y.	2422 531 02506	7861	IC, TDA9853H/V1.	9352 671 19557
5451	Coil, 33u.	3198 018 73390	7901	IC, AN7522N	9322 181 41682
5452	Fixed, Inductor, 100MHz, 80 ohm.	3198 018 90020	9001	Wire Jumper, 0.58MM.	3198 036 90010
5457	Coil, Linear Correction.	3128 138 53241	9171	Wire Jumper, 0.58MM.	3198 036 90010
5461	Transformer, Signal Driver, SC10015-0 0 B.	2422 531 02465	9172	Wire Jumper, 0.58MM.	3198 036 90010
5471	Coil, 3u3.	3198 018 73380	9173	Wire Jumper, 0.58MM.	3198 036 90010
5472	Coil, 3u3.	3198 018 23380	9175	Wire Jumper, 0.58MM.	3198 036 90010
5480	Coil, 33u.	2422 535 97335	9176	Wire Jumper, 0.58MM.	3198 036 90010
S 5501	Filter, Mains, 5mH, 2A	2422 549 43432	9178	Wire Jumper, 0.58MM.	3198 036 90010
S 5520	Transformer, Layer, SS39009-04 B	2422 531 02459	9179	Wire Jumper, 0.58MM.	3198 036 90010
5521	Fixed, Inductor, 100MHz, 50R.	3198 018 90010	9181	Wire Jumper, 0.58MM.	3198 036 90010
5560	Fixed, Inductor, 100MHz, 50R.	3198 018 90010	9182	Wire Jumper, 0.58MM.	3198 036 90010
5561	Coil, 27u.	3198 018 22790	9183	Wire Jumper, 0.58MM.	3198 036 90010
5562	Fixed, Inductor, 100MHz, 80 ohm.	3198 018 90020	9184	Wire Jumper, 0.58MM.	3198 036 90010
5564	Fixed, Inductor, 100MHz, 50R.	3198 018 90010	9192	Wire Jumper, 0.58MM.	3198 036 90010
5602	Coil, 5u6.	3198 018 15680	9193	Wire Jumper, 0.58MM.	3198 036 90010
5603	Coil, 5u6.	3198 018 15680	9406	Wire Jumper, 0.58MM.	3198 036 90010
5604	Coil, 5u6.	3198 018 15680	9407	Wire Jumper, 0.58MM.	3198 036 90010
5861	Coil, 10u.	3198 018 11090	9408	Wire Jumper, 0.58MM.	3198 036 90010
6001	Zener Diode, 33 volt	3198 010 23390	9409	Wire Jumper, 0.58MM.	3198 036 90010
6201	Diode, Signal, BAS316.	3198 010 10630	9410	Wire Jumper, 0.58MM.	3198 036 90010
6202	Diode, Signal, BAS316.	3198 010 10630	9411	Wire Jumper, 0.58MM.	3198 036 90010
6206	Zener Diode, 6.8 volt.	3198 020 56880	9412	Wire Jumper, 0.58MM.	3198 036 90010
6445	Zener Diode, 10 volt	3198 020 51090	9413	Wire Jumper, 0.58MM.	3198 036 90010
6447	Diode, Signal, 1N4148.	3198 010 10010	9415	Wire Jumper, 0.58MM.	3198 036 90010
6448	Zener Diode, 6.2 volt.	9331 668 30133	9416	Wire Jumper, 0.58MM.	3198 036 90010
6449	Diode, Signal, BAV99	3198 010 10620	9417	Wire Jumper, 0.58MM.	3198 036 90010
6453	Zener Diode, 6.8 volt.	3198 020 56880	9418	Wire Jumper, 0.58MM.	3198 036 90010
6460	Diode, Rect, BY228/24	9340 559 50112	9419	Wire Jumper, 0.58MM.	3198 036 90010
6461	Diode, Rect, RGP30J-L7004	9338 617 60682	9421	Wire Jumper, 0.58MM.	3198 036 90010
6462	Zener Diode, 8.2 volt.	3198 010 28280	9422	Wire Jumper, 0.58MM.	3198 036 90010
6465	Diode, Signal, BAV21	3198 010 10070	9423	Wire Jumper, 0.58MM.	3198 036 90010
6466	Diode, Signal, BAV21	3198 010 10070	9425	Wire Jumper, 0.58MM.	3198 036 90010
6467	Diode, Signal, BAS316.	3198 010 10630	9427	Wire Jumper, 0.58MM.	3198 036 90010
			9453	Wire Jumper, 0.58MM.	3198 036 90010
			9460	Wire Jumper, 0.58MM.	3198 036 90010
			9500	Wire Jumper, 0.58MM.	3198 036 90010

S = Safety Part. Be sure to use exact replacement part.

25PS40S325 (continued)

9501	Wire Jumper, 0.58MM.	3198	036	90010	9824	Wire Jumper, 0.58MM.	3198	036	90010
9503	Wire Jumper, 0.58MM.	3198	036	90010	9825	Wire Jumper, 0.58MM.	3198	036	90010
9506	Wire Jumper, 0.58MM.	3198	036	90010	9827	Wire Jumper, 0.58MM.	3198	036	90010
9507	Wire Jumper, 0.58MM.	3198	036	90010	9828	Wire Jumper, 0.58MM.	3198	036	90010
9510	Wire Jumper, 0.58MM.	3198	036	90010	9829	Wire Jumper, 0.58MM.	3198	036	90010
9512	Wire Jumper, 0.58MM.	3198	036	90010	9830	Wire Jumper, 0.58MM.	3198	036	90010
9513	Wire Jumper, 0.58MM.	3198	036	90010	9831	Wire Jumper, 0.58MM.	3198	036	90010
9514	Wire Jumper, 0.58MM.	3198	036	90010	9832	Wire Jumper, 0.58MM.	3198	036	90010
9515	Wire Jumper, 0.58MM.	3198	036	90010	9834	Wire Jumper, 0.58MM.	3198	036	90010
9516	Wire Jumper, 0.58MM.	3198	036	90010	9835	Wire Jumper, 0.58MM.	3198	036	90010
9518	Wire Jumper, 0.58MM.	3198	036	90010	9836	Wire Jumper, 0.58MM.	3198	036	90010
9520	Wire Jumper, 0.58MM.	3198	036	90010	9837	Wire Jumper, 0.58MM.	3198	036	90010
9521	Wire Jumper, 0.58MM.	3198	036	90010	9838	Wire Jumper, 0.58MM.	3198	036	90010
9522	Wire Jumper, 0.58MM.	3198	036	90010	9839	Wire Jumper, 0.58MM.	3198	036	90010
9524	Wire Jumper, 0.58MM.	3198	036	90010	9840	Wire Jumper, 0.58MM.	3198	036	90010
9525	Wire Jumper, 0.58MM.	3198	036	90010	9841	Wire Jumper, 0.58MM.	3198	036	90010
9528	Wire Jumper, 0.58MM.	3198	036	90010	9842	Wire Jumper, 0.58MM.	3198	036	90010
9610	Wire Jumper, 0.58MM.	3198	036	90010	9843	Wire Jumper, 0.58MM.	3198	036	90010
9611	Coil, 27u.	3198	018	22790	9844	Wire Jumper, 0.58MM.	3198	036	90010
9612	Wire Jumper, 0.58MM.	3198	036	90010	9845	Wire Jumper, 0.58MM.	3198	036	90010
9613	Wire Jumper, 0.58MM.	3198	036	90010	9846	Wire Jumper, 0.58MM.	3198	036	90010
9614	Wire Jumper, 0.58MM.	3198	036	90010	9847	Wire Jumper, 0.58MM.	3198	036	90010
9615	Wire Jumper, 0.58MM.	3198	036	90010	9849	Wire Jumper, 0.58MM.	3198	036	90010
9616	Wire Jumper, 0.58MM.	3198	036	90010	9850	Wire Jumper, 0.58MM.	3198	036	90010
9617	Wire Jumper, 0.58MM.	3198	036	90010	9851	Wire Jumper, 0.58MM.	3198	036	90010
9618	Wire Jumper, 0.58MM.	3198	036	90010	9901	Wire Jumper, 0.58MM.	3198	036	90010
9619	Wire Jumper, 0.58MM.	3198	036	90010	9902	Wire Jumper, 0.58MM.	3198	036	90010
9620	Wire Jumper, 0.58MM.	3198	036	90010	9904	Wire Jumper, 0.58MM.	3198	036	90010
9621	Wire Jumper, 0.58MM.	3198	036	90010	9905	Wire Jumper, 0.58MM.	3198	036	90010
9622	Wire Jumper, 0.58MM.	3198	036	90010	9911	Wire Jumper, 0.58MM.	3198	036	90010
9623	Wire Jumper, 0.58MM.	3198	036	90010	9912	Wire Jumper, 0.58MM.	3198	036	90010
9624	Wire Jumper, 0.58MM.	3198	036	90010	9913	Wire Jumper, 0.58MM.	3198	036	90010
9625	Wire Jumper, 0.58MM.	3198	036	90010	9914	Wire Jumper, 0.58MM.	3198	036	90010
9626	Wire Jumper, 0.58MM.	3198	036	90010	9915	Wire Jumper, 0.58MM.	3198	036	90010
9627	Wire Jumper, 0.58MM.	3198	036	90010	9916	Wire Jumper, 0.58MM.	3198	036	90010
9628	Wire Jumper, 0.58MM.	3198	036	90010	9918	Wire Jumper, 0.58MM.	3198	036	90010
9629	Wire Jumper, 0.58MM.	3198	036	90010	9919	Wire Jumper, 0.58MM.	3198	036	90010
9630	Wire Jumper, 0.58MM.	3198	036	90010	9920	Wire Jumper, 0.58MM.	3198	036	90010
9631	Wire Jumper, 0.58MM.	3198	036	90010	9921	Wire Jumper, 0.58MM.	3198	036	90010
9632	Wire Jumper, 0.58MM.	3198	036	90010	9922	Wire Jumper, 0.58MM.	3198	036	90010
9633	Wire Jumper, 0.58MM.	3198	036	90010	9991	Wire Jumper, 0.58MM.	3198	036	90010
9634	Wire Jumper, 0.58MM.	3198	036	90010	9993	Wire Jumper, 0.58MM.	3198	036	90010
9637	Wire Jumper, 0.58MM.	3198	036	90010	9994	Wire Jumper, 0.58MM.	3198	036	90010
9638	Wire Jumper, 0.58MM.	3198	036	90010	9996	Wire Jumper, 0.58MM.	3198	036	90010
9639	Wire Jumper, 0.58MM.	3198	036	90010	9997	Wire Jumper, 0.58MM.	3198	036	90010
9640	Wire Jumper, 0.58MM.	3198	036	90010	9998	Wire Jumper, 0.58MM.	3198	036	90010
9641	Wire Jumper, 0.58MM.	3198	036	90010	CBA	Main Chassis Assembly.	3139	177	27901
9642	Wire Jumper, 0.58MM.	3198	036	90010					
9643	Wire Jumper, 0.58MM.	3198	036	90010					
9644	Wire Jumper, 0.58MM.	3198	036	90010					
9645	Wire Jumper, 0.58MM.	3198	036	90010					
9646	Wire Jumper, 0.58MM.	3198	036	90010					
9648	Wire Jumper, 0.58MM.	3198	036	90010					
9650	Wire Jumper, 0.58MM.	3198	036	90010					
9654	Wire Jumper, 0.58MM.	3198	036	90010					
9655	Wire Jumper, 0.58MM.	3198	036	90010					
9656	Wire Jumper, 0.58MM.	3198	036	90010					
9657	Wire Jumper, 0.58MM.	3198	036	90010					
9658	Wire Jumper, 0.58MM.	3198	036	90010					
9659	Wire Jumper, 0.58MM.	3198	036	90010					
9660	Wire Jumper, 0.58MM.	3198	036	90010					
9661	Wire Jumper, 0.58MM.	3198	036	90010					
9662	Wire Jumper, 0.58MM.	3198	036	90010					
9663	Wire Jumper, 0.58MM.	3198	036	90010					
9664	Wire Jumper, 0.58MM.	3198	036	90010					
9665	Wire Jumper, 0.58MM.	3198	036	90010					
9666	Wire Jumper, 0.58MM.	3198	036	90010					
9668	Wire Jumper, 0.58MM.	3198	036	90010					
9669	Wire Jumper, 0.58MM.	3198	036	90010					
9670	Wire Jumper, 0.58MM.	3198	036	90010					
9672	Wire Jumper, 0.58MM.	3198	036	90010					
9674	Wire Jumper, 0.58MM.	3198	036	90010					
9675	Wire Jumper, 0.58MM.	3198	036	90010					
9676	Wire Jumper, 0.58MM.	3198	036	90010					
9678	Wire Jumper, 0.58MM.	3198	036	90010					
9679	Wire Jumper, 0.58MM.	3198	036	90010					
9680	Wire Jumper, 0.58MM.	3198	036	90010					
9683	Wire Jumper, 0.58MM.	3198	036	90010					
9685	Wire Jumper, 0.58MM.	3198	036	90010					
9686	Wire Jumper, 0.58MM.	3198	036	90010					
9687	Wire Jumper, 0.58MM.	3198	036	90010					
9688	Wire Jumper, 0.58MM.	3198	036	90010					
9689	Wire Jumper, 0.58MM.	3198	036	90010					
9690	Wire Jumper, 0.58MM.	3198	036	90010					
9691	Wire Jumper, 0.58MM.	3198	036	90010					
9694	Wire Jumper, 0.58MM.	3198	036	90010					
9695	Wire Jumper, 0.58MM.	3198	036	90010					
9697	Wire Jumper, 0.58MM.	3198	036	90010					
9698	Wire Jumper, 0.58MM.	3198	036	90010					
9699	Wire Jumper, 0.58MM.	3198	036	90010					
9821	Wire Jumper, 0.58MM.	3198	036	90010					
9822	Wire Jumper, 0.58MM.	3198	036	90010					

CRT Panel Parts (Part of Main Chassis)

	CRT Panel Parts (Part of Main Chassis)			
S 0244	Connector, 5 Pin	2422	025	04853
S 0245	Connector, 6 Pin	2422	025	04854
S 0254	Socket, CRT, 9 Pin, N-Neck	2422	500	80076
2330	Cap, 100n, 10%, 250v, Metalized Polypropylene	2222	368	90177
2340	Cap, 10u, 20%, 250v, Electrolytic	2020	012	93495
2341	Cap, 3n3, 10%, 500v, Ceramic	3198	019	43320
2342	Cap, 560p, 5%, 50v, Ceramic	3198	016	05610
2343	Cap, 3n3, 10%, 2000v, Ceramic	2020	558	90529
2344	Cap, 100n, ?20%, 25v, Ceramic	3198	023	21040
2345	Cap, 1n, 10%, 500v, Ceramic	3198	019	41020
3331	Res, 100 ohm, 5%, 1/6W, Carbon Film	3198	011	01010
3332	Res, 1K, 20%, 1/2W, Carbon Film	3198	013	01020
3333	Res, 100 ohm, 5%, 1/6W, Carbon Film	3198	011	01010
3334	Res, 1K, 20%, 1/2W, Carbon Film	3198	013	01020
3335	Res, 100 ohm, 5%, 1/6W, Carbon Film	3198	011	01010
3336	Res, 1K, 20%, 1/2W, Carbon Film	3198	013	01020
S 3340	Res, 10 ohm, 5%, 1/2W, Metal Film	2306	207	03109
S 3341	Res, 1 ohm, 5%, 1/3W, Metal Film	2306	204	03108
S 3342	Res, 1 ohm, 5%, 1/3W, Metal Film	2306	204	03108
3343	Res, 1K5, 20%, 1/2W, Carbon Film	3198	013	01520
3344	Res, 22 ohm, 5%, 1/6W, Carbon Film	3198	011	02290
S 3345	VDR, DC, 1mA, 50V, MAX, 115V	2322	593	13507
3346	Res, 22 ohm, 5%, 1/6W, Carbon Film	3198	011	02290
3347	Res, Zero ohm, "Chip" Jumper	3198	021	90020
3350	Res, Zero ohm, "Chip" Jumper	3198	021	90020
3353	Res, Zero ohm, "Chip" Jumper	3198	021	90020
5342	Coil, 22u.	2422	535	97333
6331	Diode, Signal, BAV21	3198	010	10070
6332	Diode, Signal, BAS316	3198	010	10630
6333	Diode, Signal, BAV21	3198	010	10070
6335	Diode, Signal, BAV21	3198	010	10070
7330	IC, TDA6107Q/N2	9352	576	50112
9311	Wire Jumper, 0.58MM.	3198	036	90010
9341	Wire Jumper, 0.58MM.	3198	036	90010
9342	Wire Jumper, 0.58MM.	3198	036	90010
9343	Wire Jumper, 0.58MM.	3198	036	90010

S = Safety Part. Be sure to use exact replacement part.

25PS50S321 - Manual no. 7629

Cabinet & Accessory Parts

Cabinet & Accessory Parts			
S AC01	AC Cord	3135 010	03831
AC03	Battery, 1.5V, 2-PACK.	9299 000	65263
AC04	Cabinet Back Assembly.	3121 237	52441
AC09	Clip, Anode Lead	3135 014	04471
S AC10	CRT, A63AFW36X05	9301 885	40458
AC11	Customer Control Buttons	3139 137	86221
S AC12	Degaussing Coil.	2422 549	44489
AC13	Holder, Degaussing Coil (4 Used)	3135 013	01641
AC16	Owner's Manual	3121 235	20101
AC16b	Quick Use Guide.	3121 233	40901
REMOTE	Remote Transmitter, RC19036001/01.	3139 228	86491
AC20	Cabinet Front Assembly f/25PS50S321.	3121 237	51761
AC20a	Cabinet Front.	3139 137	86241
AC20b	Chassis Guide.	3139 124	37561
AC20d	Light Guide.	3139 124	36551
AC20f	Power Button	3139 137	86231
AC20j	Speaker, Full Range, 16ohm, 5W (2 Use d).	2422 264	00411
S AC21	Deflection Yoke.	3321 203	00121

Main Chassis Assembly Parts

Main Chassis Assembly Parts			
0127	Socket Fuse.	2422 088	00271
S 0211	Connector, 2 Pin	2422 025	16269
S 0212	Connector, 2 Pin	2422 025	16375
0219	Connector, 6 Pin	2422 025	12482
0220	Connector, 5 Pin	2422 025	04853
S 0221	Connector, 4 Pin	2422 025	15503
S 0222	Connector, 2 Pin	2422 025	10646
0223	Socket, Cinch, 9 Pin	2422 026	05236
0225	Socket, MDIN, 10 Pin	2422 026	04926
0243	Connector, 6 Pin	2422 025	04854
0246	Connector, 5 Pin	2422 025	12481
0267	Connector, 3 Pin	2412 020	00725
0269	Socket, Cinch, 3 Pin	2422 026	05182
1000	Tuner, V+U PLL	2422 542	90108
1002	SAW Filter, 45MHZ75, OFWML1971M L	2422 549	44518
1200	Filter, Ceramic, 4MHZ5	2422 549	40807
S 1500	Fuse, 4A, 250V, IEC	2422 086	10914
S 1515	Relay, 1P, 12V	2422 132	07444
1600	Tact Switch.	2422 128	02742
1601	Tact Switch.	2422 128	02742
1602	Tact Switch.	2422 128	02742
1603	Tact Switch.	2422 128	02742
1606	Tact Switch.	2422 128	02742
1660	Crystal Resonator, 12 MHz, 20P, HC49/ U A	2422 543	01203
1831	Crystal Resonator, 18MHZ432 12P HC49 /U A	2422 543	00842
2004	Cap, 47n, 10%, 16v, Ceramic.	3198 017	34730
2005	Cap, 10u, 20%, 50v, Electrolytic	3198 025	51090
2006	Cap, 470u, 20%, 16v, Electrolytic.	3198 025	24710
2007	Cap, 100n, +80/-20%, 25v, Ceramic.	3198 023	41040
2008	Cap, 100u, 20%, 25v, Electrolytic.	3198 025	31010
2009	Cap, 22n, 10%, 25v, Ceramic.	3198 017	32230
2101	Cap, 470n, +80/-20%, 16v, Ceramic.	3198 017	24740
2102	Cap, 22p, 5%, 50v, Ceramic	3198 016	32290
2103	Cap, 330p, 5%, 50v, Ceramic.	3198 016	33310
2104	Cap, 330p, 5%, 50v, Ceramic.	3198 016	33310
2105	Cap, 10u, 20%, 50v, Electrolytic	3198 025	51090
2106	Cap, 10u, 20%, 50v, Electrolytic	3198 025	51090
2111	Cap, 22p, 5%, 50v, Ceramic	3198 016	32290
2112	Cap, 22p, 5%, 50v, Ceramic	3198 016	32290
2113	Cap, 22p, 5%, 50v, Ceramic	3198 016	02290
2121	Cap, 22p, 5%, 50v, Ceramic	3198 016	02290
2122	Cap, 330p, 5%, 50v, Ceramic.	3198 016	33310
2123	Cap, 2u2, +80/-20%, 10v, Ceramic	3198 017	22250
2124	Cap, 330p, 5%, 50v, Ceramic.	3198 016	33310
2125	Cap, 2u2, +80/-20%, 10v, Ceramic	3198 017	22250
2131	Cap, 330p, 5%, 50v, Ceramic.	3198 016	33310
2132	Cap, 2u2, +80/-20%, 10v, Ceramic	3198 017	22250
2133	Cap, 330p, 5%, 50v, Ceramic.	3198 016	33310
2134	Cap, 2u2, +80/-20%, 10v, Ceramic	3198 017	22250
2135	Cap, 22p, 5%, 50v, Ceramic	3198 016	02290
2136	Cap, 22p, 5%, 50v, Ceramic	3198 016	02290
2141	Cap, 330p, 5%, 50v, Ceramic.	3198 016	33310
2143	Cap, 100n, +80/-20%, 25v, Ceramic.	3198 023	41040
2150	Cap, 150n, 10%, 16v, Ceramic	2238 780	15652
2181	Cap, 22p, 5%, 50v, Ceramic	3198 016	02290
2184	Cap, 2u2, +80/-20%, 10v, Ceramic	3198 017	22250
2201	Cap, 100n, +80/-20%, 25v, Ceramic.	3198 023	21040
2202	Cap, 100n, +80/-20%, 25v, Ceramic.	3198 023	21040
2203	Cap, 100n, +80/-20%, 25v, Ceramic.	3198 023	41040
2204	Cap, 100n, +80/-20%, 25v, Ceramic.	3198 023	41040
2205	Cap, 220n, +80/-20%, 25v, Ceramic.	3198 023	22240
2208	Cap, 100n, +80/-20%, 25v, Ceramic.	3198 023	41040
2209	Cap, 4u7, 20%, 50v, Electrolytic	3198 025	54780
2210	Cap, 1u, +80/-20%, 16v, Ceramic.	3198 017	21050
2211	Cap, 470n, +80/-20%, 10v, Ceramic.	3198 017	44740
2213	Cap, 22n, 10%, 50v, Ceramic.	3198 017	02230

2214	Cap, 22n, 10%, 50v, Ceramic.	3198 017	02230
2215	Cap, 22n, 10%, 50v, Ceramic.	3198 017	02230
2216	Cap, 1000u, 20%, 16v, Electrolytic	3198 026	21020
2217	Cap, 22n, 10%, 25v, Ceramic.	3198 017	32230
2219	Cap, 220n, +80/-20%, 25v, Ceramic.	3198 023	22240
2220	Cap, 470n, 10%, 50v, Polyester	3198 014	04740
2221	Cap, 22n, 10%, 50v, Ceramic.	3198 017	02230
2241	Cap, 1n5, 10%, 50v, Ceramic.	3198 017	31520
2242	Cap, 1u, +80/-20%, 10v, Ceramic.	3198 017	41050
2243	Cap, 2n2, 10%, 50v, Ceramic.	3198 017	02220
2244	Cap, 100n, 5%, 63v, Metallized Polyes ter.	2222 370	76104
2245	Cap, 220n, +80/-20%, 16v, Ceramic.	3198 023	22240
2247	Cap, 1000u, 20%, 16v, Electrolytic	3198 026	21020
2248	Cap, 22n, 10%, 50v, Ceramic.	3198 017	02230
2249	Cap, 22n, 10%, 25v, Ceramic.	3198 017	32230
2250	Cap, 2u2, 20%, 50v, Electrolytic	3198 025	52280
2252	Cap, 1n, 5%, 25v, Ceramic.	3198 016	31020
2253	Cap, 1n, 5%, 25v, Ceramic.	3198 016	31020
2254	Res, Zero ohm, Chip Jumper	3198 021	90020
2405	Cap, 220u, 20%, 25v, Electrolytic.	3198 025	32210
2441	Cap, 1u, 20%, 50v, Electrolytic.	3198 025	51080
2443	Cap, 47n, +80/-20%, 50v, Ceramic	3198 017	24730
2444	Cap, 1u, 20%, 50v, Electrolytic.	3198 025	51080
2450	Cap, 47u, 20%, 160v, Electrolytic.	2020 021	91139
2451	Cap, 15n, 10%, 50v, Polyester.	3198 014	01530
2452	Cap, 180p, 5%, 50v, Ceramic.	3198 016	01810
2455	Cap, 47u, 20%, 25v, Electrolytic	3198 025	34790
2457	Cap, 470n, 5%, 250v, Polypropylene	2222 479	90023
2458	Cap, 2u2, 20%, 100v, Electrolytic.	2020 021	91331
2459	Cap, 680p, 10%, 500v, Ceramic.	3198 019	46810
2460	Cap, 100p, 5%, 50v, Ceramic.	3198 016	01010
2462	Cap, 330n, 10%, 250v, Polypropylene	2022 333	00084
2463	Cap, 470p, 10%, 2000v, Ceramic	2020 558	90483
2465	Cap, 11n, 5%, 1600v, Polypropylene	2222 375	90155
2471	Cap, 100n, 10%, 50v, Polyester	3198 014	01040
2472	Cap, 150n, 10%, 63v, Metallized Polye ster	2222 365	75154
2473	Cap, 100n, 10%, 63v, Metallized Polye ster	2222 365	75104
2474	Cap, 2n2, 10%, 50v, Ceramic.	3198 017	02220
2475	Cap, 2n2, 10%, 50v, Ceramic.	3198 017	02220
2476	Cap, 4n7, 10%, 50v, Ceramic.	3198 017	04720
2480	Cap, 47u, 20%, 25v, Electrolytic	2020 021	90586
2481	Cap, 470p, 10%, 500v, Ceramic.	3198 019	44710
2482	Cap, 68n, 10%, 250v, Polyester	2222 347	90234
2485	Cap, 4u7, 20%, 250v, Electrolytic.	2020 021	90856
2486	Cap, 470u, 20%, 16v, Electrolytic.	2020 021	91577
2487	Cap, 47u, 20%, 50v, Electrolytic	2020 021	90854
2488	Cap, 1000u, 20%, 16v, Electrolytic	2020 021	91049
2489	Cap, 470u, 20%, 16v, Electrolytic.	2020 021	91577
2491	Cap, 1n, 10%, 500v, Ceramic.	3198 019	41020
S 2500	Cap, 470n, 20%, 275v, Metallized Poly propylene.	2222 336	29148
2501	Cap, 2n2, 10%, 1000v, Ceramic.	3198 019	52220
2502	Cap, 2n2, 10%, 1000v, Ceramic.	3198 019	52220
2503	Cap, 470u, 20%, 200v, Electrolytic	2020 024	90626
2505	Cap, 2n2, 10%, 1000v, Ceramic.	3198 019	52220
2507	Cap, 470p, 10%, 50v, Ceramic	3198 017	04710
2508	Cap, 470p, 10%, 1000v, Ceramic	3198 019	64710
S 2515	Cap, 1n5, 20%, v, Ceramic.	2020 554	90128
2520	Cap, 100n, 10%, 16v, Ceramic	3198 017	01040
2521	Cap, 22u, 20%, 50v, Electrolytic	3198 025	52290
2522	Cap, 100n, 10%, 16v, Ceramic	3198 017	01040
2523	Cap, 1n5, 10%, 2000v, Ceramic.	2020 558	90489
2525	Cap, 470p, 10%, 50v, Ceramic	3198 017	04710
2527	Cap, 2n2, 10%, 50v, Ceramic.	3198 017	02220
2528	Cap, 1n, 10%, 50v, Ceramic	3198 017	01020
2540	Cap, 10n, 10%, 50v, Ceramic.	3198 017	01030
2541	Cap, 10n, 10%, 50v, Ceramic.	3198 017	01030
2560	Cap, 680p, 10%, 1000v, Ceramic	2020 558	90472
2561	Cap, 100u, 20%, 160v, Electrolytic	2020 021	91654
2562	Cap, 1n, 10%, 50v, Ceramic	3198 019	11020
2563	Cap, 100n, 10%, 50v, Polyester	3198 014	01040
2564	Cap, 2u2, 20%, 25v, Electrolytic	2020 021	91353
2566	Cap, 470u, 20%, 6.3v, Electrolytic	3198 025	04710
2567	Cap, 47u, 20%, 25v, Electrolytic	3198 025	34790
2568	Cap, 1u, 20%, 50v, Electrolytic	3198 025	51080
2580	Cap, 47u, 20%, 16v, Electrolytic	3198 028	24790
2581	Cap, 22u, 20%, 50v, Electrolytic	3198 025	52290
2601	Cap, 220n, +80/-20%, 25v, Ceramic.	3198 023	22240
2602	Cap, 100p, 5%, 50v, Ceramic.	3198 016	01010
2606	Cap, 1n, 10%, 50v, Ceramic	3198 017	01020
2607	Cap, 33p, 5%, 50v, Ceramic	3198 016	33390
2608	Cap, 1u, +80/-20%, 10v, Ceramic.	3198 017	41050
2609	Cap, 33p, 5%, 50v, Ceramic	3198 016	33390
2611	Cap, 1u, +80/-20%, 10v, Ceramic.	3198 017	41050
2612	Cap, 68p, 5%, 50v, Ceramic	3198 016	06890
2613	Cap, 68p, 5%, 50v, Ceramic	3198 016	06890
2615	Cap, 1n, 10%, 50v, Ceramic	3198 017	01020
2618	Cap, 1u, +80/-20%, 10v, Ceramic.	3198 017	41050
2619	Cap, 1u, +80/-20%, 16v, Ceramic.	3198 017	21050

S = Safety Part Be sure to use exact replacement part.

25PS50S321 (continued)

2691	Cap, 10u, 20%, 50v, Electrolytic . . .	3198 025 51090	3209	Res, 68 ohm, 5%, 1/16W, Metallized Gl	
2801	Cap, 22u, 20%, 50v, Electrolytic . . .	3198 025 52290		ass.	3198 021 36890
2802	Cap, 220n, +80/-20%, 16v, Ceramic. . .	3198 017 42240	3212	Res, 470 ohm, 5%, 1/16W, Metallized G	
2804	Cap, 2u2, +80/-20%, 10v, Ceramic . . .	3198 017 22250		lass	3198 021 34710
2805	Res, Zero ohm, Chip Jumper	3198 021 90020	3213	Res, 560 ohm, 5%, 1/6W, Carbon Film.	3198 011 05610
2806	Res, Zero ohm, 'Chip' Jumper	3198 021 90030	3217	Res, 330K, 5%, 1/16W, Metallized Glass	3198 021 33340
2831	Cap, 1p, 25%, 50v, Ceramic	3198 016 31080	3218	Res, 82K, 5%, 1/16W, Metallized Glass	3198 021 38230
2832	Cap, 1p, 25%, 50v, Ceramic	3198 016 31080	3219	Res, 2K2, 5%, 1/16W, Metallized Glass	3198 021 32220
2833	Cap, 47p, 5%, 50v, Ceramic	3198 016 34790	3220	Res, 100 ohm, 5%, 1/6W, Carbon Film.	3198 011 01010
2834	Cap, 470p, 5%, 50v, Ceramic.	3198 016 34710	3221	Res, 560 ohm, 5%, 1/6W, Carbon Film.	3198 011 05610
2835	Cap, 220p, 5%, 50v, Ceramic.	3198 016 32210	3222	Res, 100 ohm, 5%, 1/6W, Carbon Film.	3198 011 01010
2836	Cap, 1n5, 10%, 50v, Ceramic.	3198 017 31520	3226	Res, 560 ohm, 5%, 1/16W, Metallized G	
2837	Cap, 4u7, 20%, 50v, Electrolytic . . .	3198 025 54780		lass	3198 021 35610
2840	Cap, 100n, +80/-20%, 25v, Ceramic. . .	3198 023 41040	3235	Res, 100 ohm, 5%, 1/6W, Carbon Film.	3198 011 01010
2841	Cap, 10u, 20%, 50v, Electrolytic . . .	3198 025 51090	3241	Res, 22K, 5%, 1/16W, Metallized Glass	3198 021 32230
2842	Cap, 100n, +80/-20%, 25v, Ceramic. . .	3198 023 41040	3242	Res, 12K, 5%, 1/10W, Metallized Glass	3198 021 51230
2843	Cap, 10u, 20%, 50v, Electrolytic . . .	3198 025 51090	3244	Res, 820 ohm, 5%, 1/6W, Carbon Film.	3198 011 08210
2844	Cap, 10u, 20%, 50v, Electrolytic . . .	3198 025 51090	3245	Res, 39K, 1%, 1/10W, Metallized Glass	2120 108 92633
2845	Cap, 100n, +80/-20%, 25v, Ceramic. . .	3198 023 41040	3246	Res, 10k, 5%, Carbon	3198 021 51030
2846	Cap, 100u, 20%, 25v, Electrolytic. . .	3198 025 31010	3247	Res, 680K, 5%, 1/10W, Metallized Glas	3198 021 56840
2849	Cap, 1n, 5%, 25v, Ceramic.	3198 016 31020	3248	Res, 33K, 5%, 1/10W, Metallized Glass	3198 021 53330
2850	Cap, 1n, 5%, 25v, Ceramic.	3198 016 31020	3249	Res, 820 ohm, 5%, 1/6W, Carbon Film.	3198 011 08210
2851	Res, Zero ohm, Chip Jumper	3198 021 90020	3250	Res, 8K2, 5%, 1/6W, Carbon Film. . .	3198 011 08220
2852	Cap, 1n, 5%, 25v, Ceramic.	3198 016 31020	3251	Res, 100 ohm, 5%, 1/6W, Carbon Film.	3198 011 01010
2853	Res, Zero ohm, Chip Jumper	3198 021 90020	3256	Res, 1k, 5%, Carbon.	3198 021 51020
2854	Cap, 1n, 5%, 25v, Ceramic.	3198 016 31020	3257	Res, 10M, 5%, 1/10W, Metallized Glass	3198 021 51060
2855	Cap, 33p, 5%, 50v, Ceramic	3198 016 33390	3258	Res, 100K, 5%, 1/10W, Metallized Glas	3198 021 51040
2856	Cap, 47p, 5%, 50v, Ceramic	3198 016 34790	3259	Res, 470K, 5%, 1/10W, Metallized Glas	3198 021 54740
2857	Cap, 150p, 5%, 50v, Ceramic.	3198 016 31510	3441	Res, 100 ohm, 5%, 1/10W, Metallized G	
2860	Cap, 180p, 5%, 50v, Ceramic.	3198 016 31810		lass	3198 021 51010
2894	Cap, 220p, 5%, 50v, Ceramic.	3198 016 32210	3442	Res, Zero ohm, Chip Jumper	3198 021 90020
2895	Cap, 560p, 5%, 25v, Ceramic.	3198 016 35610	3443	Res, 1M, 5%, 1/10W, Metallized Glass	3198 021 51050
2897	Cap, 390p, 5%, 50v, Ceramic.	3198 016 33910	3445	Res, 15K, 5%, 1/6W, Carbon Film. . .	3198 011 01530
2898	Cap, 10n, 10%, 50v, Ceramic.	3198 017 31030	3446	Res, 5K6, 5%, 1/6W, Carbon Film. . .	3198 011 05620
2902	Cap, 1000u, 20%, 16v, Electrolytic . . .	3198 026 21020	3447	Res, 180 ohm, 5%, 1/6W, Carbon Film.	3198 011 01810
2903	Cap, 1u, 20%, 50v, Electrolytic.	3198 025 51080	3448	Res, 820 ohm, 5%, 1/6W, Carbon Film.	3198 011 08210
2904	Cap, 470n, +80/-20%, 16v, Ceramic. . .	3198 017 24740	3449	Res, 68 ohm, 5%, 1/6W, Carbon Film .	3198 011 06890
2905	Cap, 1n, 10%, 50v, Ceramic	3198 017 31020	3450	Res, 33 ohm, 5%, 1/6W, Carbon Film .	3198 011 03390
2906	Cap, 470n, +80/-20%, 16v, Ceramic. . .	3198 017 24740	S 3451	Res, 10 ohm, 5%, 1/3W, Metal Film. . .	2306 204 03109
2907	Cap, 1n, 10%, 50v, Ceramic	3198 017 31020	3452	Res, 10K, 1%, 3/5W, Metal Film . . .	2312 915 11003
2908	Cap, 10u, 20%, 50v, Electrolytic . . .	3198 025 51090	3453	Res, 1K, 5%, 1/6W, Carbon Film . . .	3198 011 01020
2910	Cap, 3n3, 10%, 50v, Ceramic.	3198 017 33320	3454	Res, 3K9, 1%, 3/5W, Metal Film . . .	2312 915 13902
2911	Cap, 3n3, 10%, 50v, Ceramic.	3198 017 33320	3455	Res, 6R8, 5%, 1 1/3W, Metal Film . .	3198 012 26880
2950	Cap, 330p, 5%, 50v, Ceramic.	3198 016 33310	3456	Res, Zero ohm, Chip Jumper	3198 021 90020
3000	Res, 100 ohm, 5%, 1/6W, Carbon Film.	3198 011 01010	3457	Res, Zero ohm, Chip Jumper	3198 021 90020
3001	Res, 100 ohm, 5%, 1/6W, Carbon Film.	3198 011 01010	3458	Res, 1K, 5%, 1/6W, Carbon Film . . .	3198 011 01020
3002	Res, Zero ohm, 'Chip' Jumper	3198 021 90030	3459	Res, 15K, 5%, 1 1/3W, Metal Film . . .	3198 012 21530
3003	Res, 1K5, 5%, 1/16W, Metallized Glass	3198 021 31520	3460	Res, 3K9, 5%, 1/6W, Carbon Film. . .	3198 011 03920
3004	Res, 8K2, 5%, 1/16W, Metallized Glass	3198 021 38220	3463	Res, 33 ohm, 5%, 1/6W, Carbon Film .	3198 011 03390
3005	Res, 100 ohm, 5%, 1/6W, Carbon Film.	3198 011 01010	3465	Res, 27K, 1%, 3/5W, Metal Film . . .	2312 915 12703
3101	Res, 68 ohm, 5%, 1/6W, Carbon Film .	3198 011 06890	3468	Res, 220 ohm, 5%, 1/6W, Carbon Film.	3198 011 02210
3102	Res, 1K, 5%, 1/16W, Metallized Glass	3198 021 31020	3469	Res, 3K3, 5%, 1/6W, Carbon Film. . .	3198 011 03320
3103	Res, 150 ohm, 5%, 1/6W, Carbon Film.	3198 011 01510	3470	Res, 330K, 5%, 1/10W, Metallized Glas	3198 021 53340
3104	Res, 220K, 5%, 1/16W, Metallized Glas	3198 021 32240	3471	Res, 3R3, 1%, 3/5W, Metal Film . . .	2312 915 13308
3105	Res, 150 ohm, 5%, 1/6W, Carbon Film.	3198 011 01510	3472	Res, 3R3, 1%, 3/5W, Metal Film . . .	2312 915 13308
3106	Res, 220K, 5%, 1/16W, Metallized Glas	3198 021 32240	3473	Res, 3R3, 1%, 3/5W, Metal Film . . .	2312 915 13308
3111	Res, 75 ohm, 5%, 1/6W, Carbon Film .	3198 011 07590	3474	Res, 2K2, 1%, 3/5W, Metal Film . . .	2312 915 12202
3112	Res, 100 ohm, 5%, 1/6W, Carbon Film.	3198 011 01010	3475	Res, 2K2, 1%, 3/5W, Metal Film . . .	2312 915 12202
3113	Res, 75 ohm, 5%, 1/6W, Carbon Film .	3198 011 07590	3477	Res, 150 ohm, 5%, 1/6W, Carbon Film.	3198 011 01510
3114	Res, 100 ohm, 5%, 1/6W, Carbon Film.	3198 011 01010	3478	Res, 150 ohm, 5%, 1/6W, Carbon Film.	3198 011 01510
3115	Res, 75 ohm, 5%, 1/6W, Carbon Film .	3198 011 07590	3479	Res, 2K7, 5%, 1/10W, Metallized Glass	3198 021 52720
3116	Res, 100 ohm, 5%, 1/6W, Carbon Film.	3198 011 01010	3480	Res, 1R5, 5%, 1/4W, Carbon Film. . .	2120 101 74158
3122	Wire Jumper, 0.58MM.	3198 036 90010	3481	Res, 15K, 1%, 3/5W, Metal Film . . .	2312 915 11503
3123	Res, 150 ohm, 5%, 1/6W, Carbon Film.	3198 011 01510	3482	Res, 12k, 1%, Metal Film	2312 915 11203
3124	Res, 47K, 5%, 1/16W, Metallized Glass	3198 021 34730	3484	Res, 3K9, 5%, 1/6W, Carbon Film. . .	3198 011 03920
3125	Res, 150 ohm, 5%, 1/6W, Carbon Film.	3198 011 01510	3486	Res, 33 ohm, 5%, 2 1/2W, Metal Film.	3198 012 33390
3126	Res, 47K, 5%, 1/16W, Metallized Glass	3198 021 34730	3488	Res, 4R7, 5%, 1/2W, Metal Film . . .	2306 207 03478
3131	Res, 150 ohm, 5%, 1/6W, Carbon Film.	3198 011 01510	3490	Res, 8K2, 5%, 1/6W, Carbon Film. . .	3198 011 08220
3132	Res, 47K, 5%, 1/16W, Metallized Glass	3198 021 34730	3492	Res, 1k, 5%, Carbon.	3198 021 51020
3133	Res, 150 ohm, 5%, 1/6W, Carbon Film.	3198 011 01510	3493	Res, 6R8, 5%, 1/3W, Metal Film . . .	2306 204 03688
3134	Res, 47K, 5%, 1/16W, Metallized Glass	3198 021 34730	3494	Res, 4R7, 5%, 1/2W, Metal Film . . .	2306 207 03478
3135	Res, 75 ohm, 5%, 1/6W, Carbon Film .	3198 011 07590	3495	Res, 22k, 5%, Carbon	3198 021 52230
3136	Res, 100 ohm, 5%, 1/6W, Carbon Film.	3198 011 01010	3496	Res, 100K, 5%, 1/10W, Metallized Glas	3198 021 51040
3138	Wire Jumper, 0.58MM.	3198 036 90010	3497	Res, 100K, 5%, 1/10W, Metallized Glas	3198 021 51040
3141	Res, 1K, 5%, 1/6W, Carbon Film . . .	3198 011 01020	3498	Res, 12K, 5%, 1/10W, Metallized Glass	3198 021 51230
3149	Res, 100K, 5%, 1/16W, Metallized Glas	3198 021 31040	3499	Res, 10k, 5%, Carbon	3198 021 51030
3150	Res, 150K, 5%, 1/16W, Metallized Glas	3198 021 31540	S 3500	Res, 3M3, 5%, 1/2W, Metallized Glass	2322 242 13335
3154	Res, 5K6, 5%, 1/6W, Carbon Film. . .	3198 011 05620	S 3501	Res, 3M3, 5%, 1/2W, Metallized Glass	2322 242 13335
3156	Res, 10K, 5%, 1/6W, Carbon Film. . .	3198 011 01030	3504	Res, 3 ohm, +30%/-20%, 144v, PTC, Car	
3157	Res, 1K5, 5%, 1/16W, Metallized Glass	3198 021 31520		bon Film	2122 663 00019
3158	Res, 10K, 5%, 1/16W, Metallized Glass	3198 021 31030	S 3506	Res, 1M5, 5%, 1/2W, Metallized Glass	2322 242 13155
3159	Res, 1K2, 1%, 1/10W, Metallized Glass	2120 108 92616	S 3507	Surge Protector, DSP-301N-A21F A. . .	2422 549 43073
3200	Res, 390 ohm, 5%, 1/6W, Carbon Film.	3198 011 03910	S 3508	Res, 220 ohm, 20%, 1/2W, Carbon Film	3198 013 02210
3201	Res, 100 ohm, 5%, 1/6W, Carbon Film.	3198 011 01010	3510	Res, 4.7 ohm, 20%, 3W1, NTC, Carbon F	
3202	Res, 100 ohm, 5%, 1/6W, Carbon Film.	3198 011 01010		ilm.	2122 612 00056
3203	Res, 100 ohm, 5%, 1/6W, Carbon Film.	3198 011 01010	3519	Res, 270 ohm, 5%, 1/6W, Carbon Film.	3198 011 02710
3204	Res, 22K, 5%, 1/6W, Carbon Film. . .	3198 011 02230	3520	Res, 1K2, 5%, 1/10W, Metallized Glass	3198 021 51220
3205	Res, 1k, 5%, Carbon.	3198 021 51020	3521	Res, 4R7, 5%, 1/6W, Carbon Film. . .	3198 011 04780
3206	Res, 33K, 5%, 1/16W, Metallized Glass	3198 021 33330	3522	Res, 330K, 5%, 1/10W, Metallized Glas	3198 021 53340
3207	Res, 1K, 5%, 1/6W, Carbon Film . . .	3198 011 01020	S 3523	Res, 100 ohm, 5%, 1/3W, Metal Film .	2306 204 03101
3208	Res, 220 ohm, 5%, 1/16W, Metallized G		3524	Res, 56K, 5%, 1/10W, Metallized Glass	3198 021 55630
	lass	3198 021 32210	3525	Res, 1k, 5%, Carbon.	3198 021 51020

S = Safety Part Be sure to use exact replacement part.

25PS50S321 (continued)

3526	Res, 0R1, 5%, 3/5W, Metal Film . . .	3198 012 11070	3904	Res, 10K, 5%, 1/16W, Metallized Glass	3198 021 31030
3527	Res, 0R33, 5%, 3/5W, Metal Film . . .	3198 012 13370	3905	Res, 3K3, 5%, 1/16W, Metallized Glass	3198 021 33320
3528	Res, Zero ohm, Chip Jumper	3198 021 90020	3906	Res, 10K, 5%, 1/16W, Metallized Glass	3198 021 31030
3529	Res, 47K, 5%, 1/10W, Metallized Glass	3198 021 54730	3907	Res, 8K2, 5%, 1/16W, Metallized Glass	3198 021 38220
3530	Res, 10k, 5%, Carbon	3198 021 51030	4001	Res, Zero ohm, 'Chip' Jumper	3198 021 90030
3531	Res, 4K7, 5%, 1/10W, Metallized Glass	3198 021 54720	4002	Res, Zero ohm, 'Chip' Jumper	3198 021 90030
S 3532	Res, 2K2, 5%, 1/3W, Metal Film	2306 204 03222	4181	Res, Zero ohm, 'Chip' Jumper	3198 021 90030
3541	Res, 470 ohm, 5%, 1/10W, Metallized Glass	3198 021 54710	4209	Res, Zero ohm, 'Chip' Jumper	3198 021 90030
3542	Res, 1K5, 5%, 1/10W, Metallized Glass	3198 021 51520	4216	Res, Zero ohm, 'Chip' Jumper	3198 021 90030
3543	Res, 82K, 1%, 3/5W, Metal Film	2312 915 18203	4217	Res, Zero ohm, 'Chip' Jumper	3198 021 90030
3544	Res, 4K7, 1%, 1/8W, Metallized Glass	2322 734 64702	4401	Res, Zero ohm, Chip Jumper	3198 021 90020
3545	Res, 270K, 5%, 1/8W, Metallized Glass	2322 730 61274	4402	Res, Zero ohm, Chip Jumper	3198 021 90020
3548	Res, 15K, 5%, 1/10W, Metallized Glass	3198 021 51530	4430	Res, Zero ohm, Chip Jumper	3198 021 90020
3552	Res, 4K7, 5%, 1/10W, Metallized Glass	3198 021 54720	4500	Res, Zero ohm, Chip Jumper	3198 021 90020
3557	Res, 1k, 5%, Carbon	3198 021 51020	4601	Res, Zero ohm, Chip Jumper	3198 021 90020
3560	Res, 47 ohm, 5%, 1/6W, Carbon Film . .	3198 011 04790	4613	Res, Zero ohm, Chip Jumper	3198 021 90020
3561	Res, 100 ohm, 5%, 1/6W, Carbon Film.	3198 011 01010	4614	Res, Zero ohm, Chip Jumper	3198 021 90020
3562	Res, 12K, 5%, 1/10W, Metallized Glass	3198 021 51230	4615	Res, Zero ohm, 'Chip' Jumper	3198 021 90030
3563	Res, 5K6, 5%, 1/10W, Metallized Glass	3198 021 55620	4617	Res, Zero ohm, Chip Jumper	3198 021 90020
3564	Res, 0R1, 5%, 1/3W, Metal Film	3198 012 21070	4619	Res, Zero ohm, Chip Jumper	3198 021 90020
3565	Res, 330 ohm, 5%, 1W, Metal Film . . .	3198 012 13310	4622	Res, Zero ohm, Chip Jumper	3198 021 90020
3566	Res, 2K2, 5%, 1/10W, Metallized Glass	3198 021 52220	4623	Res, Zero ohm, Chip Jumper	3198 021 90020
3567	Res, 1K8, 5%, 1/16W, Metallized Glass	3198 021 31820	4691	Res, Zero ohm, Chip Jumper	3198 021 90020
3568	Res, 8K2, 5%, 1/10W, Metallized Glass	3198 021 58220	4692	Res, Zero ohm, Chip Jumper	3198 021 90020
3569	Res, 5K6, 5%, 1/10W, Metallized Glass	3198 021 55620	4693	Res, Zero ohm, Chip Jumper	3198 021 90020
3580	Res, 47K, 5%, 1/10W, Metallized Glass	3198 021 54730	4696	Res, Zero ohm, Chip Jumper	3198 021 90020
3594	Res, 330 ohm, 5%, 1/10W, Metallized Glass	3198 021 53310	4801	Res, Zero ohm, 'Chip' Jumper	3198 021 90030
3595	Res, 220K, 5%, 1/10W, Metallized Glass	3198 021 52240	4831	Res, Zero ohm, 'Chip' Jumper	3198 021 90030
3596	Res, 220K, 5%, 1/10W, Metallized Glass	3198 021 52240	4833	Res, Zero ohm, 'Chip' Jumper	3198 021 90030
3601	Res, 8K2, 5%, 1/6W, Carbon Film. . . .	3198 011 08220	4835	Res, Zero ohm, Chip Jumper	3198 021 90020
3603	Res, 100 ohm, 5%, 1/6W, Carbon Film.	3198 011 01010	4901	Res, Zero ohm, 'Chip' Jumper	3198 021 90030
3604	Res, 100 ohm, 5%, 1/6W, Carbon Film.	3198 011 01010	4903	Res, Zero ohm, 'Chip' Jumper	3198 021 90030
3605	Res, 4K7, 5%, 1/16W, Metallized Glass	3198 021 34720	4982	Res, Zero ohm, Chip Jumper	3198 021 90020
3606	Res, 2K2, 5%, 1/6W, Carbon Film. . . .	3198 011 02220	5001	Coil, 27u.	3198 018 22790
3607	Res, 2K2, 5%, 1/6W, Carbon Film. . . .	3198 011 02220	5002	Coil, 820n	3198 018 18270
3608	Res, 100 ohm, 5%, 1/6W, Carbon Film.	3198 011 01010	5201	Coil, 6u8.	3198 018 16880
3609	Res, 1K, 5%, 1/6W, Carbon Film	3198 011 01020	5202	Coil, 10u.	3198 018 21090
3610	Res, 8K2, 5%, 1/6W, Carbon Film. . . .	3198 011 08220	5204	Fixed, Inductor, 100MHZ, 80 ohm. . . .	3198 018 90020
3611	Res, 100 ohm, 5%, 1/16W, Metallized Glass	3198 021 31010	5205	Fixed, Inductor, 100MHZ, 80 ohm. . . .	3198 018 90020
3618	Res, 6K8, 5%, 1/6W, Carbon Film. . . .	3198 011 06820	5206	Wire Jumper, 0.58MM.	3198 036 90010
3622	Res, 100 ohm, 5%, 1/10W, Metallized Glass	3198 021 51010	5241	Coil, 10u.	3198 018 21090
3623	Res, 4K7, 5%, 1/16W, Metallized Glass	3198 021 34720	5242	Coil, 10u.	3198 018 21090
3624	Res, 100 ohm, 5%, 1/6W, Carbon Film.	3198 011 01010	S 5445	Transformer, LOT, USLOT+U AT2078 . . .	3128 138 11401
3625	Res, 100 ohm, 5%, 1/6W, Carbon Film.	3198 011 01010	5451	Coil, 33u.	3198 018 73390
3626	Res, 4K7, 5%, 1/16W, Metallized Glass	3198 021 34720	5452	Fixed, Inductor, 100MHZ, 80 ohm. . . .	3198 018 90020
3627	Res, 4K7, 5%, 1/16W, Metallized Glass	3198 021 34720	5457	Linear Correction Coil	3128 138 53241
3628	Res, 10K, 5%, 1/16W, Metallized Glass	3198 021 31030	5461	Transformer, Signal Driver, SC10015-0	
3630	Res, 2K2, 5%, 1/16W, Metallized Glass	3198 021 32220	5471	0 B.	2422 531 02465
3632	Res, Zero ohm, Chip Jumper	3198 021 90020	5472	Coil, 3u3.	3198 018 73380
3634	Res, 100 ohm, 5%, 1/6W, Carbon Film.	3198 011 01010	5473	Coil, 3u3.	3198 018 23380
3635	Res, 100 ohm, 5%, 1/6W, Carbon Film.	3198 011 01010	5480	Coil, 33u.	2422 535 97335
3636	Res, 100 ohm, 5%, 1/10W, Metallized Glass	3198 021 51010	S 5501	Filter, Mains, 5mH, 2A	2422 549 43432
3638	Res, 75 ohm, 5%, 1/16W, Metallized Glass	3198 021 37590	S 5520	Transformer, SMT Layer, SS39009-04 B	2422 531 02459
3639	Res, Zero ohm, Chip Jumper	3198 021 90020	5521	Fixed, Inductor, 100MHZ, 50R.	3198 018 90010
3681	Res, 390 ohm, 5%, 1/16W, Metallized Glass	3198 021 33910	5560	Fixed, Inductor, 100MHZ, 50R.	3198 018 90010
3682	Res, 3K3, 5%, 1/16W, Metallized Glass	3198 021 33320	5561	Coil, 27u.	3198 018 22790
3683	Res, 390 ohm, 5%, 1/16W, Metallized Glass	3198 021 33910	5562	Fixed, Inductor, 100MHZ, 50R.	3198 018 90010
3684	Res, 560 ohm, 5%, 1/16W, Metallized Glass	3198 021 35610	5564	Fixed, Inductor, 100MHZ, 50R.	3198 018 90010
3685	Res, 560 ohm, 5%, 1/16W, Metallized Glass	3198 021 35610	5602	Coil, 5u6.	3198 018 15680
3686	Res, 1K5, 5%, 1/16W, Metallized Glass	3198 021 31520	5603	Coil, 5u6.	3198 018 15680
3691	Res, 330 ohm, 5%, 1/16W, Metallized Glass	3198 021 33310	5604	Coil, 5u6.	3198 018 15680
3693	Res, 220 ohm, 5%, 1/16W, Metallized Glass	3198 021 32210	5831	Coil, 6u8.	3198 018 16880
3694	Res, 4K7, 5%, 1/16W, Metallized Glass	3198 021 34720	5832	Coil, 6u8.	3198 018 16880
3801	Res, 220 ohm, 5%, 1/6W, Carbon Film.	3198 011 02210	5833	Coil, 6u8.	3198 018 16880
3802	Res, 1K, 5%, 1/6W, Carbon Film	3198 011 01020	5835	Coil, 12u.	3198 018 31290
3809	Res, 75 ohm, 5%, 1/16W, Metallized Glass	3198 021 37590	6001	Zener Diode, 33 volt	3198 010 23390
3810	Res, 75 ohm, 5%, 1/16W, Metallized Glass	3198 021 37590	6006	Diode, Signal, 1N4148.	3198 010 10010
3831	Res, 47K, 5%, 1/16W, Metallized Glass	3198 021 34730	6007	Diode, Signal, 1N4148.	3198 010 10010
3832	Res, 100 ohm, 5%, 1/6W, Carbon Film.	3198 011 01010	6150	Diode, Signal, BAS316.	3198 010 10630
3833	Res, 100 ohm, 5%, 1/6W, Carbon Film.	3198 011 01010	6201	Diode, Signal, BAS316.	3198 010 10630
3836	Res, 1K, 5%, 1/16W, Metallized Glass	3198 021 31020	6202	Diode, Signal, BAS316.	3198 010 10630
3837	Res, 100 ohm, 5%, 1/6W, Carbon Film.	3198 011 01010	6206	Zener Diode, 6.8 volt.	3198 020 56880
3838	Res, 1K, 5%, 1/16W, Metallized Glass	3198 021 31020	6445	Zener Diode, 10 volt	3198 020 51090
3839	Res, 100 ohm, 5%, 1/6W, Carbon Film.	3198 011 01010	6447	Diode, Signal, 1N4148.	3198 010 10010
3843	Res, 2K2, 5%, 1/16W, Metallized Glass	3198 021 32220	6448	Zener Diode, 6.2 volt.	9331 668 30133
3901	Res, 1K, 5%, 1/16W, Metallized Glass	3198 021 31020	6449	Diode, Signal, BAV99	3198 010 10620
3902	Res, 3K3, 5%, 1/16W, Metallized Glass	3198 021 33320	6453	Zener Diode, 6.8 volt.	3198 020 56880
3903	Res, 3K3, 5%, 1/16W, Metallized Glass	3198 021 33320	6460	Diode, Rect, BY228/24.	9340 559 50112
			6461	Diode, Rect, RGP30J-L7004.	9338 617 60682
			6462	Zener Diode, 8.2 volt.	3198 010 28280
			6465	Diode, Signal, BAV21	3198 010 10070
			6466	Diode, Signal, BAV21	3198 010 10070
			6467	Diode, Signal, BAS316.	3198 010 10630
			6468	Diode, Signal, BAS316.	3198 010 10630
			6469	Diode, Rect, BYD33J	9337 234 20133
			6470	Diode, Signal, BAV99	3198 010 10620
			6476	Zener Diode, 15 volt	3198 010 21590
			6481	Zener Diode, 5.6 volt.	3198 010 25680
			6482	Zener Diode, 9.1 volt.	9331 177 80133
			6483	Zener Diode, 33 volt	3198 010 23390
			6485	Diode, Rect, BYD33J	9337 234 20133
			6486	Diode, Rect, EGP20DL-5100.	9322 164 42682

S = Safety Part. Be sure to use exact replacement part.

25PS50S321 (continued)

6487	Diode, Rect., BYD33D	9337	234	00133	9460	Wire Jumper, 0.58MM.	3198	036	90010
6488	Diode, Rect., EGP20DL-5100.	9322	164	42682	9500	Wire Jumper, 0.58MM.	3198	036	90010
6500	Diode, Bridge Rect., GBU4JL-7002.	9322	132	55667	9501	Wire Jumper, 0.58MM.	3198	036	90010
6520	Diode, Rect., BYD33D	9337	234	00133	9503	Wire Jumper, 0.58MM.	3198	036	90010
6523	Diode, Signal, 1N4148.	3198	010	10010	S 9506	Wire Jumper, 0.58MM.	3198	036	90010
6524	Diode, Rect., 1N5062	3198	010	10120	S 9507	Wire Jumper, 0.58MM.	3198	036	90010
6525	Diode, Rect., 1N5062	3198	010	10120	9510	Wire Jumper, 0.58MM.	3198	036	90010
6526	Zener Diode, 22 volt	3198	020	52290	9512	Wire Jumper, 0.58MM.	3198	036	90010
6540	Zener Diode, 6.2 volt.	9331	668	30133	9513	Wire Jumper, 0.58MM.	3198	036	90010
6541	Zener Diode, 9.1 volt.	9322	150	08685	9514	Wire Jumper, 0.58MM.	3198	036	90010
6560	Diode, Rect., BYV29X-500.	9340	555	59127	9515	Wire Jumper, 0.58MM.	3198	036	90010
6562	Diode, Rect., EGP20DL-5100.	9322	164	42682	9516	Wire Jumper, 0.58MM.	3198	036	90010
6563	Diode, Signal, BAS316.	3198	010	10630	9518	Wire Jumper, 0.58MM.	3198	036	90010
6565	Diode, Signal, BAV70	9331	849	10215	9520	Wire Jumper, 0.58MM.	3198	036	90010
6566	Diode, Signal, 1N4148.	3198	010	10010	9521	Wire Jumper, 0.58MM.	3198	036	90010
6569	Diode, Signal, BAS316.	3198	010	10630	9522	Wire Jumper, 0.58MM.	3198	036	90010
6570	Zener Diode, 6.8 volt.	3198	020	56880	9524	Wire Jumper, 0.58MM.	3198	036	90010
6580	Diode, Signal, BAS316.	3198	010	10630	9525	Wire Jumper, 0.58MM.	3198	036	90010
6681	Diode Signal, IG BAT85	9336	247	60133	9528	Wire Jumper, 0.58MM.	3198	036	90010
6691	LED, VS LTL-10224WHCR.	9322	050	99682	9610	Wire Jumper, 0.58MM.	3198	036	90010
6692	IR, Receiver, TSOP1836UH3V	9322	127	54667	9611	Coil, 27u.	3198	018	22790
6831	Diode, Signal, 1N4148.	3198	010	10010	9612	Wire Jumper, 0.58MM.	3198	036	90010
6901	Res, Zero ohm, Chip Jumper	3198	021	90020	9613	Wire Jumper, 0.58MM.	3198	036	90010
7101	Transistor, NPN, BC847B.	3198	010	42030	9614	Wire Jumper, 0.58MM.	3198	036	90010
7102	Transistor, PNP, BC857B.	3198	010	42150	9615	Wire Jumper, 0.58MM.	3198	036	90010
7103	Transistor, NPN, BC847B.	3198	010	42030	9616	Wire Jumper, 0.58MM.	3198	036	90010
7200	IC, SM TDA9587H/N1/3	9352	716	32557	9617	Wire Jumper, 0.58MM.	3198	036	90010
7201	Transistor, NPN, BC847B.	3198	010	42030	9618	Wire Jumper, 0.58MM.	3198	036	90010
7204	Transistor, PNP, BC857B.	3198	010	42150	9619	Wire Jumper, 0.58MM.	3198	036	90010
7205	Transistor, PNP, BC857B.	3198	010	42150	9620	Wire Jumper, 0.58MM.	3198	036	90010
7441	Transistor, PNP, BC857B.	3198	010	42150	9621	Wire Jumper, 0.58MM.	3198	036	90010
7443	Transistor, PNP, BC557B.	3198	020	40110	9622	Wire Jumper, 0.58MM.	3198	036	90010
7450	Transistor, PNP, PDA114ET	3198	010	44010	9623	Wire Jumper, 0.58MM.	3198	036	90010
7460	Transistor, NPN, BU4508DX.	9340	550	92127	9624	Wire Jumper, 0.58MM.	3198	036	90010
7461	Transistor, NPN, BC337-25.	3198	020	43530	9625	Wire Jumper, 0.58MM.	3198	036	90010
7462	Transistor, NPN, PDT143ZT	9340	547	00215	9626	Wire Jumper, 0.58MM.	3198	036	90010
7463	Transistor, PNP, BC327-25.	3198	020	43430	9627	Wire Jumper, 0.58MM.	3198	036	90010
7471	IC, TDA8359J/N2.	9352	701	64112	9628	Wire Jumper, 0.58MM.	3198	036	90010
7480	Transistor, NPN, BD135	3198	020	41010	9629	Wire Jumper, 0.58MM.	3198	036	90010
7482	Transistor, NPN, BD135	3198	020	41010	9630	Wire Jumper, 0.58MM.	3198	036	90010
S 7515	Optical Coupler, TCET1104(G)	9322	175	72667	9631	Wire Jumper, 0.58MM.	3198	036	90010
7520	IC, TEA1507P/N1.	9352	673	56112	9632	Wire Jumper, 0.58MM.	3198	036	90010
7521	FET Power STPNCS0FP	9322	160	72687	9633	Wire Jumper, 0.58MM.	3198	036	90010
7522	Transistor, NPN, BC847B(COL)	3198	010	42030	9634	Wire Jumper, 0.58MM.	3198	036	90010
7540	Transistor, NPN, BC547B(COL)	3198	020	40030	9637	Wire Jumper, 0.58MM.	3198	036	90010
7541	Transistor, NPN, PDT114ET	9340	310	10215	9638	Wire Jumper, 0.58MM.	3198	036	90010
7542	Transistor, PNP, BC857B(COL)	3198	010	42150	9639	Wire Jumper, 0.58MM.	3198	036	90010
7560	IC, L78L33ACZ.	9322	134	92676	9640	Wire Jumper, 0.58MM.	3198	036	90010
7561	Transistor, NPN, PDT143ZT	9340	547	00215	9641	Wire Jumper, 0.58MM.	3198	036	90010
7562	Transistor, PNP, BC857B(COL)	3198	010	42150	9642	Wire Jumper, 0.58MM.	3198	036	90010
7564	Transistor, PNP, BC857B(COL)	3198	010	42150	9643	Wire Jumper, 0.58MM.	3198	036	90010
7580	Transistor, PNP, BC857B(COL)	3198	010	42150	9644	Wire Jumper, 0.58MM.	3198	036	90010
7602	IC, M24C08-WB6T	9322	154	38682	9645	Wire Jumper, 0.58MM.	3198	036	90010
7801	IC, SM HEF4052BT	9333	729	50653	9646	Wire Jumper, 0.58MM.	3198	036	90010
7802	IC, SM HEF4052BT	9333	729	60653	9648	Wire Jumper, 0.58MM.	3198	036	90010
7831	IC, MSP3445G-PO-B8	9322	160	81682	9650	Wire Jumper, 0.58MM.	3198	036	90010
7901	IC, AN7522N.	9322	158	65667	9654	Wire Jumper, 0.58MM.	3198	036	90010
9001	Wire Jumper, 0.58MM.	3198	036	90010	9655	Wire Jumper, 0.58MM.	3198	036	90010
9101	Wire Jumper, 0.58MM.	3198	036	90010	9656	Wire Jumper, 0.58MM.	3198	036	90010
9102	Wire Jumper, 0.58MM.	3198	036	90010	9657	Wire Jumper, 0.58MM.	3198	036	90010
9103	Wire Jumper, 0.58MM.	3198	036	90010	9658	Wire Jumper, 0.58MM.	3198	036	90010
9171	Wire Jumper, 0.58MM.	3198	036	90010	9659	Wire Jumper, 0.58MM.	3198	036	90010
9172	Wire Jumper, 0.58MM.	3198	036	90010	9660	Wire Jumper, 0.58MM.	3198	036	90010
9173	Wire Jumper, 0.58MM.	3198	036	90010	9661	Wire Jumper, 0.58MM.	3198	036	90010
9175	Wire Jumper, 0.58MM.	3198	036	90010	9662	Wire Jumper, 0.58MM.	3198	036	90010
9176	Wire Jumper, 0.58MM.	3198	036	90010	9663	Wire Jumper, 0.58MM.	3198	036	90010
9178	Wire Jumper, 0.58MM.	3198	036	90010	9664	Wire Jumper, 0.58MM.	3198	036	90010
9179	Wire Jumper, 0.58MM.	3198	036	90010	9665	Wire Jumper, 0.58MM.	3198	036	90010
9181	Wire Jumper, 0.58MM.	3198	036	90010	9666	Wire Jumper, 0.58MM.	3198	036	90010
9182	Wire Jumper, 0.58MM.	3198	036	90010	9668	Wire Jumper, 0.58MM.	3198	036	90010
9183	Wire Jumper, 0.58MM.	3198	036	90010	9669	Wire Jumper, 0.58MM.	3198	036	90010
9192	Wire Jumper, 0.58MM.	3198	036	90010	9670	Wire Jumper, 0.58MM.	3198	036	90010
9193	Wire Jumper, 0.58MM.	3198	036	90010	9672	Wire Jumper, 0.58MM.	3198	036	90010
9406	Wire Jumper, 0.58MM.	3198	036	90010	9674	Wire Jumper, 0.58MM.	3198	036	90010
9407	Wire Jumper, 0.58MM.	3198	036	90010	9675	Wire Jumper, 0.58MM.	3198	036	90010
9408	Wire Jumper, 0.58MM.	3198	036	90010	9676	Wire Jumper, 0.58MM.	3198	036	90010
9409	Wire Jumper, 0.58MM.	3198	036	90010	9678	Wire Jumper, 0.58MM.	3198	036	90010
9410	Wire Jumper, 0.58MM.	3198	036	90010	9679	Wire Jumper, 0.58MM.	3198	036	90010
9411	Wire Jumper, 0.58MM.	3198	036	90010	9680	Wire Jumper, 0.58MM.	3198	036	90010
9412	Wire Jumper, 0.58MM.	3198	036	90010	9683	Wire Jumper, 0.58MM.	3198	036	90010
9413	Wire Jumper, 0.58MM.	3198	036	90010	9685	Wire Jumper, 0.58MM.	3198	036	90010
9415	Wire Jumper, 0.58MM.	3198	036	90010	9686	Wire Jumper, 0.58MM.	3198	036	90010
9416	Wire Jumper, 0.58MM.	3198	036	90010	9687	Wire Jumper, 0.58MM.	3198	036	90010
9417	Wire Jumper, 0.58MM.	3198	036	90010	9688	Wire Jumper, 0.58MM.	3198	036	90010
9418	Wire Jumper, 0.58MM.	3198	036	90010	9689	Wire Jumper, 0.58MM.	3198	036	90010
9419	Wire Jumper, 0.58MM.	3198	036	90010	9690	Wire Jumper, 0.58MM.	3198	036	90010
9421	Wire Jumper, 0.58MM.	3198	036	90010	9691	Wire Jumper, 0.58MM.	3198	036	90010
9422	Wire Jumper, 0.58MM.	3198	036	90010	9694	Wire Jumper, 0.58MM.	3198	036	90010
9423	Wire Jumper, 0.58MM.	3198	036	90010	9695	Wire Jumper, 0.58MM.	3198	036	90010
9425	Wire Jumper, 0.58MM.	3198	036	90010	9697	Wire Jumper, 0.58MM.	3198	036	90010
9427	Wire Jumper, 0.58MM.	3198	036	90010	9698	Wire Jumper, 0.58MM.	3198	036	90010
9453	Wire Jumper, 0.58MM.	3198	036	90010	9699	Wire Jumper, 0.58MM.	3198	036	90010

S = Safety Part. Be sure to use exact replacement part.

25PS50S321 (continued)

9821	Wire Jumper, 0.58MM.	3198	036	90010	0250	3 Pin Cinch Socket	2422	026	04815
9822	Wire Jumper, 0.58MM.	3198	036	90010	0251	6 Pin Connector.	2422	025	12482
9824	Wire Jumper, 0.58MM.	3198	036	90010	0254	5 Pin Connector.	2422	025	12481
9825	Wire Jumper, 0.58MM.	3198	036	90010	0255	4 Pin Connector.	2422	025	12479
9827	Wire Jumper, 0.58MM.	3198	036	90010	2171	Cap, 470p, 10%, 50v, Ceramic	3198	019	14710
9828	Wire Jumper, 0.58MM.	3198	036	90010	2172	Cap, 470p, 10%, 50v, Ceramic	3198	019	14710
9829	Wire Jumper, 0.58MM.	3198	036	90010	2173	Cap, 470p, 10%, 50v, Ceramic	3198	019	14710
9830	Wire Jumper, 0.58MM.	3198	036	90010	2174	Cap, 470p, 10%, 50v, Ceramic	3198	019	14710
9831	Wire Jumper, 0.58MM.	3198	036	90010	2176	Cap, 470p, 10%, 50v, Ceramic	3198	019	14710
9832	Wire Jumper, 0.58MM.	3198	036	90010	2177	Cap, 10u, 20%, 50v, Electrolytic	3198	025	51090
9834	Wire Jumper, 0.58MM.	3198	036	90010	2178	Cap, 470p, 10%, 50v, Ceramic	3198	019	14710
9835	Wire Jumper, 0.58MM.	3198	036	90010	2179	Cap, 10u, 20%, 50v, Electrolytic	3198	025	51090
9836	Wire Jumper, 0.58MM.	3198	036	90010	3150	Res, 47K, 5%, 1/6W, Carbon Film.	3198	011	04730
9837	Wire Jumper, 0.58MM.	3198	036	90010	3151	Res, 150 ohm, 5%, 1/6W, Carbon Film.	3198	011	01510
9838	Wire Jumper, 0.58MM.	3198	036	90010	3152	Res, 47K, 5%, 1/6W, Carbon Film.	3198	011	04730
9839	Wire Jumper, 0.58MM.	3198	036	90010	3153	Res, 150 ohm, 5%, 1/6W, Carbon Film.	3198	011	01510
9840	Wire Jumper, 0.58MM.	3198	036	90010	3156	Res, 120 ohm, 5%, 1/6W, Carbon Film.	3198	011	01210
9841	Wire Jumper, 0.58MM.	3198	036	90010	3157	Res, 120 ohm, 5%, 1/6W, Carbon Film.	3198	011	01210
9842	Wire Jumper, 0.58MM.	3198	036	90010	6161	Zener Diode, 6.8 volt.	3198	010	26880
9843	Wire Jumper, 0.58MM.	3198	036	90010	9153	Jumper	3198	036	90010
9844	Wire Jumper, 0.58MM.	3198	036	90010	9170	Jumper	3198	036	90010
9845	Wire Jumper, 0.58MM.	3198	036	90010	9171	Jumper	3198	036	90010
9846	Wire Jumper, 0.58MM.	3198	036	90010					
9847	Wire Jumper, 0.58MM.	3198	036	90010					
9849	Wire Jumper, 0.58MM.	3198	036	90010					
9851	Wire Jumper, 0.58MM.	3198	036	90010					
9901	Wire Jumper, 0.58MM.	3198	036	90010					
9902	Wire Jumper, 0.58MM.	3198	036	90010					
9903	Wire Jumper, 0.58MM.	3198	036	90010					
9904	Wire Jumper, 0.58MM.	3198	036	90010					
9905	Wire Jumper, 0.58MM.	3198	036	90010					
9911	Wire Jumper, 0.58MM.	3198	036	90010					
9912	Wire Jumper, 0.58MM.	3198	036	90010					
9913	Wire Jumper, 0.58MM.	3198	036	90010					
9914	Wire Jumper, 0.58MM.	3198	036	90010					
9915	Wire Jumper, 0.58MM.	3198	036	90010					
9916	Wire Jumper, 0.58MM.	3198	036	90010					
9918	Wire Jumper, 0.58MM.	3198	036	90010					
9919	Wire Jumper, 0.58MM.	3198	036	90010					
9920	Wire Jumper, 0.58MM.	3198	036	90010					
9921	Wire Jumper, 0.58MM.	3198	036	90010					
9922	Wire Jumper, 0.58MM.	3198	036	90010					
9991	Wire Jumper, 0.58MM.	3198	036	90010					
9994	Wire Jumper, 0.58MM.	3198	036	90010					
9996	Wire Jumper, 0.58MM.	3198	036	90010					
9998	Wire Jumper, 0.58MM.	3198	036	90010					
CBA	Main Chassis Assembly.	3139	177	27021					

CRT Panel Parts (Part of Main Chassis)

	CRT Panel Parts (Part of Main Chassis)								
	Connector, 5 Pin	2422	025	04853					
	Connector, 6 Pin	2422	025	04854					
S	0254 CRT Socket, 9 Pin.	2422	500	80076					
	2330 Cap, 100n, 10%, 250v, Metallized Poly ester.	2222	368	90177					
	2340 Cap, 10u, 20%, 250v, Electrolytic.	2020	012	93495					
	2341 Cap, 3n3, 10%, 500v, Ceramic	3198	019	43320					
	2342 Cap, 560p, 5%, 50v, Ceramic.	3198	016	05610					
	2343 Cap, 3n3, 10%, 2000v, Ceramic.	2020	558	90529					
	2344 Cap, 100n, +80/-20%, 25v, Ceramic.	3198	023	21040					
	2345 Cap, 1n, 10%, 500v, Ceramic.	3198	019	41020					
	3331 Res, 100 ohm, 5%, 1/6W, Carbon Film.	3198	011	01010					
	3332 Res, 1K, 20%, 1/2W, Carbon Film.	3198	013	01020					
	3333 Res, 100 ohm, 5%, 1/6W, Carbon Film.	3198	011	01010					
	3334 Res, 1K, 20%, 1/2W, Carbon Film.	3198	013	01020					
	3335 Res, 100 ohm, 5%, 1/6W, Carbon Film.	3198	011	01010					
	3336 Res, 1K, 20%, 1/2W, Carbon Film.	3198	013	01020					
S	3340 Res, 10 ohm, 5%, 1/2W, Metal Film.	2306	207	03109					
S	3341 Res, 1 ohm, 5%, 1/3W, Metal Film.	2306	204	03108					
S	3342 Res, 1 ohm, 5%, 1/3W, Metal Film.	2306	204	03108					
	3343 Res, 1K5, 20%, 1/2W, Carbon Film.	3198	013	01520					
	3344 Res, 22 ohm, 5%, 1/6W, Carbon Film.	3198	011	02290					
	3345 VDR DC 1MA/ 50V S MAX 115V A	2322	593	13507					
	3346 Res, 22 ohm, 5%, 1/6W, Carbon Film.	3198	011	02290					
	3347 Res, Zero ohm, Chip Jumper	3198	021	90020					
	3350 Res, Zero ohm, Chip Jumper	3198	021	90020					
	3353 Res, Zero ohm, Chip Jumper	3198	021	90020					
	5342 Coil, 22u.	2422	535	97333					
	6331 Diode, Signal, BAV21	3198	010	10070					
	6332 Diode, Signal, BAS316.	3198	010	10630					
	6333 Diode, Signal, BAV21	3198	010	10070					
	6335 Diode, Signal, BAV21	3198	010	10070					
	7330 IC, TDA6107Q/N2.	9352	576	50112					
	9311 Wire Jumper, 0.58MM.	3198	036	90010					
	9341 Wire Jumper, 0.58MM.	3198	036	90010					
	9342 Wire Jumper, 0.58MM.	3198	036	90010					
	9343 Wire Jumper, 0.58MM.	3198	036	90010					

Side AV+HP Panel Parts - 313912723881

	Side AV+HP Panel Parts - 313912723881								
CBA	Side AV+HP Panel Assembly.	3139	127	23881					
0232	1 Pin Headphone Socket	2422	026	04747					

S = Safety Part Be sure to use exact replacement part.

26LL500131 - Manual no. 7629

Cabinet & Accessory Parts

	Cabinet & Accessory Parts		2458
S AC01	AC Cord	3135 010 04731	2459
AC03	Battery, 1.5V, 2-PACK	9299 000 65263	2460
AC04	Cabinet Back Assembly	3121 237 52491	2462
AC09	Clip, Anode Lead	3135 014 04471	2463
S AC10	CRT, A63AFW36X06	9301 889 60629	2465
AC11	Customer Control Buttons	3139 137 86221	2471
S AC12	Degaussing Coil	2422 549 44489	2472
AC13	Holder, Degaussing Coil (4 Used)	3135 013 01641	2473
AC16	Owner's Manual	3121 235 20201	
REMOTE	Remote Transmitter, RC19335004/01	3139 228 86462	2474
AC20	Cabinet Front Assembly f/26LL500131	3121 237 51761	2475
AC20a	Cabinet Front	3139 137 86241	2476
AC20b	Chassis Guide	3139 124 37561	2480
AC20d	Light Guide	3139 124 36551	2481
AC20f	Power Button	3139 137 86231	2482
AC20j	Speaker, Full Range, 16ohm, 5W (2 Use d)	2422 264 00411	2485
S AC21	Deflection Yoke	3321 203 00121	2486

Main Chassis Assembly Parts

	Main Chassis Assembly Parts		2491
0127	Socket Fuse	2422 088 00271	S 2500
S 0211	Connector, 2 Pin	2422 025 16269	
S 0212	Connector, 2 Pin	2422 025 16375	2501
0219	Connector, 6 Pin	2422 025 12482	2502
0220	Connector, 5 Pin	2422 025 04853	2503
S 0221	Connector, 4 Pin	2422 025 15503	2505
S 0222	Connector, 2 Pin	2422 025 10646	2507
0243	Connector, 6 Pin	2422 025 04854	2508
0246	Connector, 5 Pin	2422 025 12481	S 2515
0267	Connector, 3 Pin	2412 020 00725	2520
1000	Tuner, V+U PLL	2422 542 90108	2521
1002	SAW Filter, 45MHZ75, OFWML1971M L	2422 549 44518	2522
1200	Filter, Ceramic, 4MHz5	2422 549 40807	2523
S 1500	Fuse, 4A, 250V, IEC	2422 086 10914	2525
S 1515	Relay, 1P, 12V	2422 132 07444	2527
1600	Tact Switch	2422 128 02742	2528
1601	Tact Switch	2422 128 02742	2540
1602	Tact Switch	2422 128 02742	2541
1603	Tact Switch	2422 128 02742	2560
1606	Tact Switch	2422 128 02742	2561
1660	Crystal Resonator, 12 MHz, 20P, HC49/ U A	2422 543 01203	2562
1861	Ceramic Resonator, 514.5 KHz, CSB503F 58 B	2422 540 98344	2563
2004	Cap, 47n, 10%, 16v, Ceramic	3198 017 34730	2567
2005	Cap, 10u, 20%, 50v, Electrolytic	3198 025 51090	2568
2006	Cap, 470u, 20%, 16v, Electrolytic	3198 025 24710	2580
2007	Cap, 100n, +80/-20%, 25v, Ceramic	3198 023 41040	2581
2008	Cap, 100u, 20%, 25v, Electrolytic	3198 025 31010	2601
2009	Cap, 22n, 10%, 25v, Ceramic	3198 017 32230	2602
2181	Cap, 22p, 5%, 50v, Ceramic	3198 016 02290	2607
2184	Res, Zero ohm, Chip Jumper	3198 021 90020	2608
2202	Cap, 100n, +80/-20%, 25v, Ceramic	3198 023 21040	2609
2203	Cap, 100n, +80/-20%, 25v, Ceramic	3198 023 41040	2611
2204	Cap, 100n, +80/-20%, 25v, Ceramic	3198 023 41040	2612
2205	Cap, 220n, +80/-20%, 25v, Ceramic	3198 023 22240	2613
2208	Cap, 100n, +80/-20%, 25v, Ceramic	3198 023 41040	2615
2209	Cap, 4u7, 20%, 50v, Electrolytic	3198 025 54780	2618
2210	Cap, 1u, +80/-20%, 16v, Ceramic	3198 017 21050	2619
2211	Cap, 470n, +80/-20%, 16v, Ceramic	3198 017 24740	2691
2216	Cap, 1000u, 20%, 16v, Electrolytic	3198 026 21020	2805
2217	Cap, 22n, 10%, 25v, Ceramic	3198 017 32230	2806
2219	Cap, 220n, +80/-20%, 25v, Ceramic	3198 023 22240	2861
2226	Cap, 100p, 5%, 50v, Ceramic	3198 016 01010	2862
2227	Cap, 4n7, 10%, 50v, Ceramic	3198 017 34720	2864
2228	Cap, 820p, 5%, 25v, Ceramic	3198 016 38210	2865
2229	Cap, 10u, 20%, 50v, Electrolytic	3198 025 51090	2866
2241	Cap, 1n5, 10%, 50v, Ceramic	3198 017 31520	2867
2242	Cap, 1u, +80/-20%, 10v, Ceramic	3198 017 41050	2868
2243	Cap, 2n2, 10%, 50v, Ceramic	3198 017 02220	2869
2244	Cap, 100n, 5%, 63v, Metallized Polyest er	2222 370 76104	2870
2245	Cap, 220n, +80/-20%, 16v, Ceramic	3198 023 22240	2871
2247	Cap, 1000u, 20%, 16v, Electrolytic	3198 026 21020	2872
2248	Cap, 22n, 10%, 50v, Ceramic	3198 017 02230	2873
2249	Cap, 22n, 10%, 25v, Ceramic	3198 017 32230	2874
2250	Cap, 2u2, 20%, 50v, Electrolytic	3198 025 52280	2875
2252	Cap, 1n, 5%, 25v, Ceramic	3198 016 31020	2876
2253	Cap, 1n, 5%, 25v, Ceramic	3198 016 31020	2877
2254	Res, Zero ohm, Chip Jumper	3198 021 90020	2878
2405	Cap, 220u, 20%, 25v, Electrolytic	3198 025 32210	2879
2441	Cap, 1u, 20%, 50v, Electrolytic	3198 025 51080	2880
2443	Cap, 47n, +80/-20%, 50v, Ceramic	3198 017 24730	2883
2444	Cap, 1u, 20%, 50v, Electrolytic	3198 025 51080	2884
2450	Cap, 47u, 20%, 160v, Electrolytic	2020 021 91139	2885
2451	Cap, 15n, 10%, 50v, Polyester	3198 014 01530	2886
2452	Cap, 180p, 5%, 50v, Ceramic	3198 016 01810	2902
2455	Cap, 47u, 20%, 25v, Electrolytic	3198 025 34790	2903
2457	Cap, 470n, 5%, 250v, Polypropylene	2222 479 90023	2904

Cap, 2u2, 20%, 100v, Electrolytic	2020 021 91331
Cap, 680p, 10%, 500v, Ceramic	3198 019 46810
Cap, 100p, 5%, 50v, Ceramic	3198 016 01010
Cap, 330n, 10%, 250v, Polypropylene	2022 333 00084
Cap, 470p, 10%, 2000v, Ceramic	2020 558 90483
Cap, 11n, 5%, 1600v, Polypropylene	2222 375 90155
Cap, 100n, 10%, 50v, Polyester	3198 014 01040
Cap, 150n, 10%, 63v, Metallized Polyest er	2222 365 75154
Cap, 100n, 10%, 63v, Metallized Polyest er	2222 365 75104
Cap, 2n2, 10%, 50v, Ceramic	3198 017 02220
Cap, 2n2, 10%, 50v, Ceramic	3198 017 02220
Cap, 4n7, 10%, 50v, Ceramic	3198 017 04720
Cap, 47u, 20%, 25v, Electrolytic	2020 021 90586
Cap, 470p, 10%, 500v, Ceramic	3198 019 44710
Cap, 68n, 10%, 250v, Polyester	2222 347 90234
Cap, 4u7, 20%, 250v, Electrolytic	2020 021 90856
Cap, 470u, 20%, 16v, Electrolytic	2020 021 91577
Cap, 47u, 20%, 50v, Electrolytic	2020 021 90854
Cap, 1000u, 20%, 16v, Electrolytic	2020 021 91049
Cap, 470u, 20%, 16v, Electrolytic	2020 021 91577
Cap, 1n, 10%, 500v, Ceramic	3198 019 41020
Cap, 470n, 20%, 275v, Metallized Poly propylene	2222 336 29148
Cap, 2n2, 10%, 1000v, Ceramic	3198 019 52220
Cap, 2n2, 10%, 1000v, Ceramic	3198 019 52220
Cap, 470u, 20%, 200v, Electrolytic	2020 024 90626
Cap, 2n2, 10%, 1000v, Ceramic	3198 019 52220
Cap, 470p, 10%, 50v, Ceramic	3198 017 04710
Cap, 470p, 10%, 1000v, Ceramic	3198 019 64710
Cap, 1n5, 20%, v, Ceramic	2020 554 90128
Cap, 100n, 10%, 16v, Ceramic	3198 017 01040
Cap, 22u, 20%, 50v, Electrolytic	3198 025 52290
Cap, 100n, 10%, 16v, Ceramic	3198 017 01040
Cap, 1n5, 10%, 2000v, Ceramic	2020 558 90489
Cap, 470p, 10%, 50v, Ceramic	3198 017 04710
Cap, 2n2, 10%, 50v, Ceramic	3198 017 02220
Cap, 1n, 10%, 50v, Ceramic	3198 017 01020
Cap, 10n, 10%, 50v, Ceramic	3198 017 01030
Cap, 10n, 10%, 50v, Ceramic	3198 017 01030
Cap, 680p, 10%, 1000v, Ceramic	2020 558 90472
Cap, 100u, 20%, 160v, Electrolytic	2020 021 91654
Cap, 1n, 10%, 50v, Ceramic	3198 019 11020
Cap, 100n, 10%, 50v, Polyester	3198 014 01040
Cap, 2u2, 20%, 25v, Electrolytic	2020 021 91353
Cap, 470u, 20%, 6.3v, Electrolytic	3198 025 04710
Cap, 47u, 20%, 25v, Electrolytic	3198 025 34790
Cap, 1u, 20%, 50v, Electrolytic	3198 025 51080
Cap, 47u, 20%, 16v, Electrolytic	3198 028 24790
Cap, 22u, 20%, 50v, Electrolytic	3198 025 52290
Cap, 220n, +80/-20%, 25v, Ceramic	3198 023 22240
Cap, 100p, 5%, 50v, Ceramic	3198 016 01010
Cap, 33p, 5%, 50v, Ceramic	3198 016 33390
Cap, 1u, +80/-20%, 10v, Ceramic	3198 017 41050
Cap, 33p, 5%, 50v, Ceramic	3198 016 33390
Cap, 1u, +80/-20%, 10v, Ceramic	3198 017 41050
Cap, 68p, 5%, 50v, Ceramic	3198 016 06890
Cap, 68p, 5%, 50v, Ceramic	3198 016 06890
Cap, 1n, 10%, 50v, Ceramic	3198 017 01020
Cap, 1u, +80/-20%, 10v, Ceramic	3198 017 41050
Cap, 1u, +80/-20%, 16v, Ceramic	3198 017 21050
Cap, 10u, 20%, 50v, Electrolytic	3198 025 51090
Cap, 2u2, +80/-20%, 10v, Ceramic	3198 017 22250
Cap, 2u2, +80/-20%, 10v, Ceramic	3198 017 22250
Cap, 220n, +80/-20%, 16v, Ceramic	3198 017 42240
Cap, 2u2, +80/-20%, 10v, Ceramic	3198 017 22250
Cap, 2u2, 20%, 50v, Electrolytic	3198 025 52280
Cap, 2u2, 20%, 50v, Electrolytic	3198 025 52280
Cap, 2u2, +80/-20%, 10v, Ceramic	3198 017 22250
Cap, 3n3, 10%, 50v, Ceramic	3198 017 03320
Cap, 150p, 5%, 50v, Ceramic	3198 016 31510
Cap, 47n, 10%, 50v, Polyester	3198 014 04730
Cap, 47n, 10%, 50v, Polyester	3198 014 04730
Cap, 150p, 5%, 50v, Ceramic	3198 016 31510
Cap, 3n3, 10%, 50v, Ceramic	3198 017 03320
Cap, 2u2, +80/-20%, 10v, Ceramic	3198 017 22250
Cap, 100u, 20%, 25v, Electrolytic	3198 025 31010
Cap, 100u, 20%, 25v, Electrolytic	3198 025 31010
Cap, 4u7, 20%, 50v, Electrolytic	3198 025 54780
Cap, 10u, 20%, 50v, Electrolytic	3198 025 51090
Cap, 1u, 20%, 50v, Electrolytic	3198 025 51080
Cap, 4n7, 10%, 50v, Ceramic	3198 017 34720
Cap, 22n, 10%, 25v, Ceramic	3198 017 32230
Cap, 470u, 20%, 16v, Electrolytic	3198 025 24710
Cap, 2u2, 20%, 50v, Electrolytic	3198 025 52280
Cap, 220n, 10%, 50v, Polyester	3198 014 02240
Cap, 220n, +80/-20%, 16v, Ceramic	3198 017 42240
Cap, 220u, 20%, 50v, Electrolytic	3198 026 52210
Cap, 1u, 20%, 50v, Electrolytic	3198 025 51080
Cap, 470n, +80/-20%, 16v, Ceramic	3198 017 24740
Cap, 1n, 10%, 50v, Ceramic	3198 017 01020

S = Safety Part Be sure to use exact replacement part.

26LL500131 (continued)

2906	Cap, 470n, +80/-20%, 16v, Ceramic. . .	3198 017 24740	3497	Res, 100K, 5%, 1/10W, Metallized Glas	3198 021 51040
2907	Cap, 1n, 10%, 50v, Ceramic	3198 017 01020	3498	Res, 12K, 5%, 1/10W, Metallized Glass	3198 021 51230
2908	Cap, 10u, 20%, 50v, Electrolytic . .	3198 025 51090	3499	Res, 10k, 5%, Carbon	3198 021 51030
2910	Cap, 3n3, 10%, 50v, Ceramic.	3198 017 03320	S 3500	Res, 3M3, 5%, 1/2W, Metallized Glass	2322 242 13335
2911	Cap, 3n3, 10%, 50v, Ceramic.	3198 017 03320	S 3501	Res, 3M3, 5%, 1/2W, Metallized Glass	2322 242 13335
2950	Cap, 330p, 5%, 50v, Ceramic.	3198 016 33310	3504	Res, 3 ohm, +30%/-20%, 144v, PTC, Car bon Film	2122 663 00019
3000	Res, 100 ohm, 5%, 1/6W, Carbon Film.	3198 011 01010	S 3506	Res, 1M5, 5%, 1/2W, Metallized Glass	2322 242 13155
3001	Res, 100 ohm, 5%, 1/6W, Carbon Film.	3198 011 01010	S 3507	Surge Protector, DSP-301N-A21F A. .	2422 549 43073
3002	Res, Zero ohm, Chip Jumper	3198 021 90020	S 3508	Res, 220 ohm, 20%, 1/2W, Carbon Film	3198 013 02210
3003	Res, 1K5, 5%, 1/16W, Metallized Glass	3198 021 31520	3510	Res, 4.7 ohm, 20%, 3W1, NTC, Carbon F ilm.	2122 612 00056
3004	Res, 8K2, 5%, 1/16W, Metallized Glass	3198 021 38220	3519	Res, 270 ohm, 5%, 1/6W, Carbon Film.	3198 011 02710
3005	Res, 100 ohm, 5%, 1/6W, Carbon Film.	3198 011 01010	3520	Res, 1K2, 5%, 1/10W, Metallized Glass	3198 021 51220
3200	Res, 390 ohm, 5%, 1/6W, Carbon Film.	3198 011 03910	3521	Res, 4R7, 5%, 1/6W, Carbon Film. . .	3198 011 04780
3201	Res, 100 ohm, 5%, 1/6W, Carbon Film.	3198 011 01010	3522	Res, 330K, 5%, 1/10W, Metallized Glas	3198 021 53340
3202	Res, 100 ohm, 5%, 1/6W, Carbon Film.	3198 011 01010	S 3523	Res, 100 ohm, 5%, 1/3W, Metal Film .	2306 204 03101
3203	Res, 100 ohm, 5%, 1/6W, Carbon Film.	3198 011 01010	3524	Res, 56K, 5%, 1/10W, Metallized Glass	3198 021 55630
3204	Res, 22K, 5%, 1/6W, Carbon Film. . .	3198 011 02230	3525	Res, 1k, 5%, Carbon.	3198 021 51020
3206	Res, 33K, 5%, 1/16W, Metallized Glass	3198 021 33330	3526	Res, 0R1, 5%, 3/5W, Metal Film . . .	3198 012 11070
3207	Res, 1K, 5%, 1/6W, Carbon Film . . .	3198 011 01020	3527	Res, 0R33, 5%, 3/5W, Metal Film. . .	3198 012 13370
3208	Res, 220 ohm, 5%, 1/16W, Metallized G lass	3198 021 32210	3528	Res, Zero ohm, Chip Jumper	3198 021 90020
3209	Res, 68 ohm, 5%, 1/16W, Metallized Gl ass.	3198 021 36890	3529	Res, 47K, 5%, 1/10W, Metallized Glass	3198 021 54730
3212	Res, 470 ohm, 5%, 1/16W, Metallized G lass	3198 021 34710	3530	Res, 10k, 5%, Carbon	3198 021 51030
3213	Res, 560 ohm, 5%, 1/6W, Carbon Film.	3198 011 05610	S 3532	Res, 4K7, 5%, 1/10W, Metallized Glass	3198 021 54720
3217	Res, 330K, 5%, 1/16W, Metallized Glas	3198 021 33340	3541	Res, 2K2, 5%, 1/3W, Metal Film . . .	2306 204 03222
3218	Res, 82K, 5%, 1/16W, Metallized Glass	3198 021 38230	3542	Res, 470 ohm, 5%, 1/10W, Metallized G lass	3198 021 54710
3219	Res, 2K2, 5%, 1/16W, Metallized Glass	3198 021 32220	3543	Res, 1K5, 5%, 1/10W, Metallized Glass	3198 021 51520
3226	Res, 560 ohm, 5%, 1/16W, Metalized G lass	3198 021 35610	3544	Res, 82K, 1%, 3/5W, Metal Film . . .	2312 915 18203
3232	Res, 2K2, 5%, 1/16W, Metallized Glass	3198 021 32220	3545	Res, 4K7, 1%, 1/8W, Metallized Glass	2322 734 64702
3235	Res, 100 ohm, 5%, 1/6W, Carbon Film.	3198 011 01010	3548	Res, 270K, 5%, 1/8W, Metallized Glass	2322 730 61274
3241	Res, 22K, 5%, 1/16W, Metallized Glass	3198 021 32230	3552	Res, 15K, 5%, 1/10W, Metallized Glass	3198 021 51530
3242	Res, 12K, 5%, 1/10W, Metallized Glass	3198 021 51230	3557	Res, 4K7, 5%, 1/10W, Metallized Glass	3198 021 54720
3244	Res, 820 ohm, 5%, 1/6W, Carbon Film.	3198 011 08210	3560	Res, 1k, 5%, Carbon.	3198 021 51020
3245	Res, 39K, 1%, 1/10W, Metallized Glass	2120 108 92633	3561	Res, 47 ohm, 5%, 1/6W, Carbon Film .	3198 011 04790
3246	Res, 10k, 5%, Carbon	3198 021 51030	3562	Res, 100 ohm, 5%, 1/6W, Carbon Film.	3198 011 01010
3247	Res, 680K, 5%, 1/10W, Metallized Glas	3198 021 56840	3563	Res, 12K, 5%, 1/10W, Metallized Glass	3198 021 51230
3248	Res, 33K, 5%, 1/10W, Metallized Glass	3198 021 53330	3564	Res, 5K6, 5%, 1/10W, Metallized Glass	3198 021 55620
3249	Res, 820 ohm, 5%, 1/6W, Carbon Film.	3198 011 08210	3565	Res, 0R1, 5%, 1 1/3W, Metal Film . .	3198 012 21070
3250	Res, 8K2, 5%, 1/6W, Carbon Film. . .	3198 011 08220	3566	Res, 330 ohm, 5%, 1W, Metal Film . .	3198 012 13310
3251	Res, 100 ohm, 5%, 1/6W, Carbon Film.	3198 011 01010	3567	Res, 2K2, 5%, 1/10W, Metallized Glass	3198 021 52220
3256	Res, 1k, 5%, Carbon.	3198 021 51020	3568	Res, 3K3, 5%, 1/16W, Metallized Glass	3198 021 33320
3257	Res, 10M, 5%, 1/10W, Metallized Glass	3198 021 51060	3569	Res, 8K2, 5%, 1/10W, Metallized Glass	3198 021 58220
3258	Res, 100K, 5%, 1/10W, Metallized Glas	3198 021 51040	3580	Res, 5K6, 5%, 1/10W, Metallized Glass	3198 021 55620
3259	Res, 470K, 5%, 1/10W, Metallized Glas	3198 021 54740	3594	Res, 47K, 5%, 1/10W, Metallized Glass	3198 021 54730
3441	Res, 100 ohm, 5%, 1/10W, Metallized G lass	3198 021 51010	3595	Res, 330 ohm, 5%, 1/10W, Metallized G lass	3198 021 53310
3442	Res, Zero ohm, Chip Jumper	3198 021 90020	3596	Res, 220K, 5%, 1/10W, Metallized Glas	3198 021 52240
3443	Res, 1M, 5%, 1/10W, Metallized Glass	3198 021 51050	3603	Res, 100 ohm, 5%, 1/6W, Carbon Film.	3198 011 01010
3445	Res, 15K, 5%, 1/6W, Carbon Film. . .	3198 011 01530	3604	Res, 100 ohm, 5%, 1/6W, Carbon Film.	3198 011 01010
3446	Res, 5K6, 5%, 1/6W, Carbon Film. . .	3198 011 05620	3606	Res, 2K2, 5%, 1/6W, Carbon Film. . .	3198 011 02220
3447	Res, 180 ohm, 5%, 1/6W, Carbon Film.	3198 011 01810	3607	Res, 2K2, 5%, 1/6W, Carbon Film. . .	3198 011 02220
3448	Res, 820 ohm, 5%, 1/6W, Carbon Film.	3198 011 08210	3608	Res, 100 ohm, 5%, 1/6W, Carbon Film.	3198 011 01010
3449	Res, 68 ohm, 5%, 1/6W, Carbon Film .	3198 011 06890	3611	Res, 100 ohm, 5%, 1/16W, Metallized G lass	3198 021 31010
3450	Res, 33 ohm, 5%, 1/6W, Carbon Film .	3198 011 03390	3618	Res, 6K8, 5%, 1/6W, Carbon Film. . .	3198 011 06820
S 3451	Res, 10 ohm, 5%, 1/3W, Metal Film. . .	2306 204 03109	3622	Res, Zero ohm, Chip Jumper	3198 021 90020
3452	Res, 10K, 1%, 3/5W, Metal Film . . .	2312 915 11003	3623	Res, 4K7, 5%, 1/16W, Metallized Glass	3198 021 34720
3453	Res, 1K, 5%, 1/6W, Carbon Film . . .	3198 011 01020	3624	Res, 100 ohm, 5%, 1/6W, Carbon Film.	3198 011 01010
3454	Res, 3K9, 1%, 3/5W, Metal Film . . .	2312 915 13902	3625	Res, 100 ohm, 5%, 1/6W, Carbon Film.	3198 011 01010
3455	Res, 6R8, 5%, 1 1/3W, Metal Film . .	3198 012 26880	3626	Res, 4K7, 5%, 1/16W, Metallized Glass	3198 021 34720
3456	Res, Zero ohm, Chip Jumper	3198 021 90020	3627	Res, 4K7, 5%, 1/16W, Metallized Glass	3198 021 34720
3457	Res, Zero ohm, Chip Jumper	3198 021 90020	3628	Res, 10K, 5%, 1/16W, Metallized Glass	3198 021 31030
3458	Res, 1K, 5%, 1/6W, Carbon Film . . .	3198 011 01020	3630	Res, 470 ohm, 1%, 1/10W, Metallized G lass	2120 108 92612
3459	Res, 15K, 5%, 1 1/3W, Metal Film . .	3198 012 21530	3632	Res, Zero ohm, Chip Jumper	3198 021 90020
3460	Res, 3K9, 5%, 1/6W, Carbon Film. . .	3198 011 03920	3636	Res, 100 ohm, 5%, 1/10W, Metallized G lass	3198 021 51010
3463	Res, 33 ohm, 5%, 1/6W, Carbon Film .	3198 011 03390	3637	Res, 75 ohm, 5%, 1/16W, Metallized Gl ass.	3198 021 37590
3465	Res, 27K, 1%, 3/5W, Metal Film . . .	2312 915 12703	3639	Res, Zero ohm, Chip Jumper	3198 021 90020
3468	Res, 220 ohm, 5%, 1/6W, Carbon Film.	3198 011 02210	3681	Res, 180 ohm, 1%, 1/10W, Metallized G lass	2120 108 92606
3469	Res, 3K3, 5%, 1/6W, Carbon Film. . .	3198 011 03320	3682	Res, 270 ohm, 1%, 1/10W, Metallized G lass	2120 108 92608
3470	Res, 330K, 5%, 1/10W, Metallized Glas	3198 021 53340	3683	Res, 390 ohm, 1%, 1/10W, Metallized G lass	2120 108 92611
3471	Res, 3R3, 1%, 3/5W, Metal Film . . .	2312 915 13308	3684	Res, 390 ohm, 1%, 1/10W, Metallized G lass	2120 108 92611
3472	Res, 3R3, 1%, 3/5W, Metal Film . . .	2312 915 13308	3686	Res, Zero ohm, Chip Jumper	3198 021 90020
3473	Res, 3R3, 1%, 3/5W, Metal Film . . .	2312 915 13308	3687	Res, 75 ohm, 1%, 1/10W, Metallized Gl ass.	2120 108 91437
3474	Res, 2K2, 1%, 3/5W, Metal Film . . .	2312 915 12202	3688	Res, 68 ohm, 1%, 1/10W, Metallized Gl ass.	2120 108 92603
3475	Res, 2K2, 1%, 3/5W, Metal Film . . .	2312 915 12202	3689	Res, 2K7, 1%, 1/10W, Metallized Glass	2120 108 92621
3477	Res, 150 ohm, 5%, 1/6W, Carbon Film.	3198 011 01510	3691	Res, 330 ohm, 5%, 1/16W, Metallized G lass	3198 021 33310
3478	Res, 150 ohm, 5%, 1/6W, Carbon Film.	3198 011 01510	3693	Res, 220 ohm, 5%, 1/16W, Metallized G lass	3198 021 32210
3479	Res, 2K7, 5%, 1/10W, Metallized Glass	3198 021 52720	3694	Res, 4K7, 5%, 1/16W, Metallized Glass	3198 021 34720
3480	Res, 1R5, 5%, 1/4W, Carbon Film. . .	2120 101 74158			
3481	Res, 15K, 1%, 3/5W, Metal Film . . .	2312 915 11503			
3482	Res, 12k, 1%, Metal Film	2312 915 11203			
3484	Res, 3K9, 5%, 1/6W, Carbon Film. . .	3198 011 03920			
3486	Res, 33 ohm, 5%, 2 1/2W, Metal Film.	3198 012 33390			
3488	Res, 4R7, 5%, 1/2W, Metal Film . . .	2306 207 03478			
3490	Res, 8K2, 5%, 1/6W, Carbon Film. . .	3198 011 08220			
3492	Res, 1k, 5%, Carbon.	3198 021 51020			
3493	Res, 6R8, 5%, 1/3W, Metal Film . . .	2306 204 03688			
3494	Res, 4R7, 5%, 1/2W, Metal Film . . .	2306 207 03478			
3495	Res, 22k, 5%, Carbon	3198 021 52230			
3496	Res, 100K, 5%, 1/10W, Metallized Glas	3198 021 51040			

S = Safety Part Be sure to use exact replacement part.

26LL500131 (continued)

3861	Res, 100K, 5%, 1/16W, Metallized Glas	3198	021	31040	6476	Zener Diode, 15 volt	3198	010	21590
3862	Res, 15K, 5%, 1/16W, Metallized Glass	3198	021	31530	6481	Zener Diode, 5.6 volt.	3198	010	25680
3863	Res, 1K2, 5%, 1/16W, Metallized Glass	3198	021	31220	6482	Zener Diode, 9.1 volt.	9331	177	80133
3864	Res, 100 ohm, 5%, 1/16W, Metallized G lass	3198	021	31010	6483	Zener Diode, 33 volt	3198	010	23390
3865	Res, 100 ohm, 5%, 1/6W, Carbon Film.	3198	011	01010	6485	Diode, Rect, BYD33J	9337	234	20133
3866	Res, 100 ohm, 5%, 1/6W, Carbon Film.	3198	011	01010	6486	Diode, Rect, EGP20DL-5100.	9322	164	42682
3867	Res, 3K3, 5%, 1/16W, Metallized Glass	3198	021	33320	6487	Diode, Rect, BYD33D	9337	234	00133
3901	Res, 1K, 5%, 1/16W, Metallized Glass	3198	021	31020	6488	Diode, Rect, EGP20DL-5100.	9322	164	42682
3902	Res, 3K3, 5%, 1/16W, Metallized Glass	3198	021	33320	6500	Diode, Bridge Rect, GBU4JL-7002.	9322	132	55667
3903	Res, 3K3, 5%, 1/16W, Metallized Glass	3198	021	33320	6520	Diode, Rect, BYD33D	9337	234	00133
3904	Res, 10K, 5%, 1/16W, Metallized Glass	3198	021	31030	6523	Diode, Signal, 1N4148.	3198	010	10010
3905	Res, 3K3, 5%, 1/16W, Metallized Glass	3198	021	33320	6524	Diode, Rect, 1N5062	3198	010	10120
3906	Res, 10K, 5%, 1/16W, Metallized Glass	3198	021	31030	6525	Diode, Rect, 1N5062	3198	010	10120
3907	Res, 8K2, 5%, 1/16W, Metallized Glass	3198	021	38220	6526	Zener Diode, 22 volt	3198	020	52290
4001	Res, Zero ohm, Chip Jumper	3198	021	90020	6540	Zener Diode, 6.2 volt.	9331	668	30133
4002	Res, Zero ohm, Chip Jumper	3198	021	90020	6541	Zener Diode, 9.1 volt.	9322	150	08685
4181	Res, Zero ohm, Chip Jumper	3198	021	90020	6560	Diode, Rect, BYV29X-500.	9340	555	59127
4214	Res, Zero ohm, Chip Jumper	3198	021	90020	6562	Diode, Rect, EGP20DL-5100.	9322	164	42682
4216	Res, Zero ohm, Chip Jumper	3198	021	90020	6563	Diode, Signal, BAS316.	3198	010	10630
4217	Res, Zero ohm, Chip Jumper	3198	021	90020	6565	Diode, Signal, BAV70	9331	849	10215
4401	Res, Zero ohm, Chip Jumper	3198	021	90020	6566	Diode, Signal, 1N4148.	3198	010	10010
4402	Res, Zero ohm, Chip Jumper	3198	021	90020	6569	Diode, Signal, BAS316.	3198	010	10630
4430	Res, Zero ohm, Chip Jumper	3198	021	90020	6570	Zener Diode, 6.8 volt.	3198	020	56880
4500	Res, Zero ohm, Chip Jumper	3198	021	90020	6580	Diode, Signal, BAS316.	3198	010	10630
4601	Res, Zero ohm, Chip Jumper	3198	021	90020	6691	LED, VS LTL-10224WHCR	9322	050	99682
4613	Res, Zero ohm, Chip Jumper	3198	021	90020	6692	IR, Receiver, TSOP1836UH3V	9322	127	54667
4614	Res, Zero ohm, Chip Jumper	3198	021	90020	6901	Res, Zero ohm, Chip Jumper	3198	021	90020
4615	Res, Zero ohm, Chip Jumper	3198	021	90020	6903	Diode, Rect, 1N5062	3198	010	10120
4617	Res, Zero ohm, Chip Jumper	3198	021	90020	7200	IC, SM TDA9577H/N1/A	9352	716	20557
4619	Res, Zero ohm, Chip Jumper	3198	021	90020	7201	Transistor, NPN, BC847B.	3198	010	42030
4622	Res, Zero ohm, Chip Jumper	3198	021	90020	7204	Transistor, PNP, BC857B.	3198	010	42150
4623	Res, Zero ohm, Chip Jumper	3198	021	90020	7441	Transistor, PNP, BC857B.	3198	010	42150
4691	Res, Zero ohm, Chip Jumper	3198	021	90020	7443	Transistor, PNP, BC557B.	3198	020	40110
4692	Res, Zero ohm, Chip Jumper	3198	021	90020	7450	Transistor, PNP, PDTA114ET	3198	010	44010
4693	Res, Zero ohm, Chip Jumper	3198	021	90020	7460	Transistor, NPN, BU4508DX.	9340	550	92127
4801	Res, Zero ohm, Chip Jumper	3198	021	90020	7461	Transistor, NPN, BC337-25.	3198	020	43530
4802	Res, Zero ohm, Chip Jumper	3198	021	90020	7462	Transistor, NPN, PDTCL143ZT	9340	547	00215
4803	Res, Zero ohm, Chip Jumper	3198	021	90020	7463	Transistor, PNP, BC327-25.	3198	020	43430
4805	Res, Zero ohm, Chip Jumper	3198	021	90020	7471	IC, TDA8359J/N2.	9352	701	64112
4807	Res, Zero ohm, Chip Jumper	3198	021	90020	7480	Transistor, NPN, BD135	3198	020	41010
4809	Res, Zero ohm, Chip Jumper	3198	021	90020	7482	Transistor, NPN, BD135	3198	020	41010
4901	Res, Zero ohm, Chip Jumper	3198	021	90020	S 7515	Optical Coupler, TCET1104(G)	9322	175	72667
4903	Res, Zero ohm, Chip Jumper	3198	021	90020	7520	IC, TEA1507P/N1.	9352	673	56112
4982	Res, Zero ohm, Chip Jumper	3198	021	90020	7521	FET Power STP8NC50FP	9322	160	72687
5001	Coil, 27u.	3198	018	22790	7522	Transistor, NPN, BC847B(COL)	3198	010	42030
5002	Coil, 820n	3198	018	18270	7540	Transistor, NPN, BC547B(COL)	3198	020	40030
5201	Coil, 6u8.	3198	018	16880	7541	Transistor, NPN, PDTCL14ET	9340	310	10215
5202	Coil, 10u.	3198	018	21090	7542	Transistor, PNP, BC857B(COL)	3198	010	42150
5204	Fixed, Inductor, 100MHz, 80 ohm.	3198	018	90020	7560	IC, L78L33ACZ.	9322	134	92676
5205	Fixed, Inductor, 100MHz, 80 ohm.	3198	018	90020	7561	Transistor, NPN, PDTCL143T	9340	547	00215
5206	Wire Jumper, 0.58MM.	3198	036	90010	7562	Transistor, PNP, BC857B(COL)	3198	010	42150
5241	Coil, 10u.	3198	018	21090	7564	Transistor, PNP, BC857B(COL)	3198	010	42150
5242	Coil, 10u.	3198	018	11090	7580	Transistor, PNP, BC857B(COL)	3198	010	42150
S 5445	Transformer, LOT, USLOT+U AT2078	3128	138	21401	7602	IC, M24C08-WBN6.	9322	154	38682
5451	Coil, 33u.	3198	018	73390	7861	IC, SM TDA9853H/V1	9352	671	19557
5452	Fixed, Inductor, 100MHz, 80 ohm.	3198	018	90020	7901	IC, AN7522N.	9322	158	65667
5457	Linear Correction Coil	3128	138	53241	9001	Wire Jumper, 0.58MM.	3198	036	90010
5461	Transformer, Signal Driver, SC10015-0 0 B.	2422	531	02465	9171	Wire Jumper, 0.58MM.	3198	036	90010
5471	Coil, 3u3.	3198	018	73380	9172	Wire Jumper, 0.58MM.	3198	036	90010
5472	Coil, 3u3.	3198	018	23380	9173	Wire Jumper, 0.58MM.	3198	036	90010
5480	Coil, 33u.	2422	535	97335	9176	Wire Jumper, 0.58MM.	3198	036	90010
S 5501	Filter, Mains, 5MHz, 2A	2422	549	43432	9177	Wire Jumper, 0.58MM.	3198	036	90010
S 5520	Transformer, SMT Layer, SS39009-04 B	2422	531	02459	9178	Wire Jumper, 0.58MM.	3198	036	90010
5521	Fixed, Inductor, 100MHz, 50R.	3198	018	90010	9179	Wire Jumper, 0.58MM.	3198	036	90010
5560	Fixed, Inductor, 100MHz, 50R.	3198	018	90010	9181	Wire Jumper, 0.58MM.	3198	036	90010
5561	Coil, 27u.	3198	018	22790	9182	Wire Jumper, 0.58MM.	3198	036	90010
5562	Fixed, Inductor, 100MHz, 80 ohm.	3198	018	90020	9183	Wire Jumper, 0.58MM.	3198	036	90010
5564	Fixed, Inductor, 100MHz, 50R.	3198	018	90010	9184	Wire Jumper, 0.58MM.	3198	036	90010
5602	Coil, 5u6.	3198	018	15680	9192	Wire Jumper, 0.58MM.	3198	036	90010
5603	Coil, 5u6.	3198	018	15680	9193	Wire Jumper, 0.58MM.	3198	036	90010
5604	Coil, 5u6.	3198	018	15680	9406	Wire Jumper, 0.58MM.	3198	036	90010
5861	Coil, 10u.	3198	018	11090	9407	Wire Jumper, 0.58MM.	3198	036	90010
6001	Zener Diode, 33 volt	3198	010	23390	9408	Wire Jumper, 0.58MM.	3198	036	90010
6201	Diode, Signal, BAS316.	3198	010	10630	9409	Wire Jumper, 0.58MM.	3198	036	90010
6202	Diode, Signal, BAS316.	3198	010	10630	9410	Wire Jumper, 0.58MM.	3198	036	90010
6206	Zener Diode, 6.8 volt.	3198	020	56880	9411	Wire Jumper, 0.58MM.	3198	036	90010
6445	Zener Diode, 10 volt	3198	020	51090	9412	Wire Jumper, 0.58MM.	3198	036	90010
6447	Diode, Signal, 1N4148.	3198	010	10010	9413	Wire Jumper, 0.58MM.	3198	036	90010
6448	Zener Diode, 6.2 volt.	9331	668	30133	9415	Wire Jumper, 0.58MM.	3198	036	90010
6449	Diode, Signal, BAV99	3198	010	10620	9416	Wire Jumper, 0.58MM.	3198	036	90010
6453	Zener Diode, 6.8 volt.	3198	020	56880	9417	Wire Jumper, 0.58MM.	3198	036	90010
6460	Diode, Rect, BY228/24.	9340	559	50112	9418	Wire Jumper, 0.58MM.	3198	036	90010
6461	Diode, Rect, RGP30J-L7004.	9338	617	60682	9419	Wire Jumper, 0.58MM.	3198	036	90010
6462	Zener Diode, 8.2 volt.	3198	010	28280	9421	Wire Jumper, 0.58MM.	3198	036	90010
6465	Diode, Signal, BAV21	3198	010	10070	9422	Wire Jumper, 0.58MM.	3198	036	90010
6466	Diode, Signal, BAV21	3198	010	10070	9423	Wire Jumper, 0.58MM.	3198	036	90010
6467	Diode, Signal, BAS316.	3198	010	10630	9425	Wire Jumper, 0.58MM.	3198	036	90010
6468	Diode, Signal, BAS316.	3198	010	10630	9427	Wire Jumper, 0.58MM.	3198	036	90010
6469	Diode, Rect, BYD33J	9337	234	20133	9453	Wire Jumper, 0.58MM.	3198	036	90010
6470	Diode, Signal, BAV99	3198	010	10620	9460	Wire Jumper, 0.58MM.	3198	036	90010
					9500	Wire Jumper, 0.58MM.	3198	036	90010
					9501	Wire Jumper, 0.58MM.	3198	036	90010

S = Safety Part Be sure to use exact replacement part.

26LL500131 (continued)

0251	6 Pin Connector.	2422	025	12482
0254	5 Pin Connector.	2422	025	12481
0255	4 Pin Connector.	2422	025	12479
2171	Cap, 470p, 10%, 50v, Ceramic	3198	019	14710
2172	Cap, 470p, 10%, 50v, Ceramic	3198	019	14710
2173	Cap, 470p, 10%, 50v, Ceramic	3198	019	14710
2174	Cap, 470p, 10%, 50v, Ceramic	3198	019	14710
2176	Cap, 470p, 10%, 50v, Ceramic	3198	019	14710
2177	Cap, 10u, 20%, 50v, Electrolytic . . .	3198	025	51090
2178	Cap, 470p, 10%, 50v, Ceramic	3198	019	14710
2179	Cap, 10u, 20%, 50v, Electrolytic . . .	3198	025	51090
3150	Res, 47K, 5%, 1/6W, Carbon Film. . .	3198	011	04730
3151	Res, 150 ohm, 5%, 1/6W, Carbon Film. .	3198	011	01510
3152	Res, 47K, 5%, 1/6W, Carbon Film. . .	3198	011	04730
3153	Res, 150 ohm, 5%, 1/6W, Carbon Film. .	3198	011	01510
3156	Res, 120 ohm, 5%, 1/6W, Carbon Film. .	3198	011	01210
3157	Res, 120 ohm, 5%, 1/6W, Carbon Film. .	3198	011	01210
6161	Zener Diode, 6.8 volt.	3198	010	26880
9153	Jumper	3198	036	90010
9170	Jumper	3198	036	90010
9171	Jumper	3198	036	90010

S = Safety Part Be sure to use exact replacement part.

26LW502231 - Manual no. 7629

Cabinet & Accessory Parts

	Cabinet & Accessory Parts		
S AC01	AC Cord	3135	010 04731
AC03	Battery, 1.5V, 2-PACK.	9299	000 65263
AC04	Cabinet Back Assembly.	3121	237 52441
AC09	Clip, Anode Lead	3135	014 04471
S AC10	CRT, A63AFW36X06	9301	889 60629
AC11	Customer Control Buttons	3139	137 86221
S AC12	Degaussing Coil	2422	549 44489
AC13	Holder, Degaussing Coil (4 Used)	3135	013 01641
AC16	Owner's Manual	3121	235 20211
REMOTE	Remote Transmitter, RC19036001/01.	3139	228 86491
AC20	Cabinet Front Assembly f/26LW502231.	3121	237 51761
AC20a	Cabinet Front.	3139	137 86241
AC20b	Chassis Guide.	3139	124 37561
AC20d	Light Guide.	3139	124 36551
AC20f	Power Button	3139	137 86231
AC20j	Speaker, Full Range, 16ohm, 5W (2 Use d).	2422	264 00411
S AC21	Deflection Yoke.	3321	203 00121

Main Chassis Assembly Parts

	Main Chassis Assembly Parts		
	0127 Socket Fuse.	2422	088 00271
S 0211	Connector, 2 Pin	2422	025 16269
S 0212	Connector, 2 Pin	2422	025 16375
	0219 Connector, 6 Pin	2422	025 12482
	0220 Connector, 5 Pin	2422	025 04853
S 0221	Connector, 4 Pin	2422	025 15503
S 0222	Connector, 2 Pin	2422	025 10646
	0223 Socket, Cinch, 9 Pin	2422	026 05236
	0225 Socket, MDIN, 10 Pin	2422	026 04926
	0243 Connector, 6 Pin	2422	025 04854
	0246 Connector, 5 Pin	2422	025 12481
	0267 Connector, 3 Pin	2412	020 00725
	0269 Socket, Cinch, 3 Pin	2422	026 05182
	1000 Tuner, V+U PLL	2422	542 90108
	1002 SAW Filter, 45MHZ75, OFWMM1971M L.	2422	549 44518
	1200 Filter, Ceramic, 4MHz5	2422	549 40807
S 1500	Fuse, 4A, 250V, IEC.	2422	086 10914
S 1515	Relay, 1P, 12V	2422	132 07444
	1600 Tact Switch.	2422	128 02742
	1601 Tact Switch.	2422	128 02742
	1602 Tact Switch.	2422	128 02742
	1603 Tact Switch.	2422	128 02742
	1606 Tact Switch.	2422	128 02742
	1660 Crystal Resonator, 12 MHz, 20P, HC49/ U A.	2422	543 01203
	1831 Crystal Resonator, 18MHZ432 12P HC49 /U A	2422	543 00842
	2004 Cap, 47n, 10%, 16v, Ceramic.	3198	017 34730
	2005 Cap, 10u, 20%, 50v, Electrolytic	3198	025 51090
	2006 Cap, 470u, 20%, 16v, Electrolytic.	3198	025 24710
	2007 Cap, 100n, +80/-20%, 25v, Ceramic.	3198	023 41040
	2008 Cap, 100u, 20%, 25v, Electrolytic.	3198	025 31010
	2009 Cap, 22n, 10%, 25v, Ceramic.	3198	017 32230
	2101 Cap, 470n, +80/-20%, 16v, Ceramic.	3198	017 24740
	2102 Cap, 22p, 5%, 50v, Ceramic	3198	016 02290
	2103 Cap, 330p, 5%, 50v, Ceramic.	3198	016 33310
	2104 Cap, 330p, 5%, 50v, Ceramic.	3198	016 33310
	2105 Cap, 10u, 20%, 50v, Electrolytic	3198	025 51090
	2106 Cap, 10u, 20%, 50v, Electrolytic	3198	025 51090
	2111 Cap, 22p, 5%, 50v, Ceramic	3198	016 02290
	2112 Cap, 22p, 5%, 50v, Ceramic	3198	016 02290
	2113 Cap, 22p, 5%, 50v, Ceramic	3198	016 02290
	2121 Cap, 22p, 5%, 50v, Ceramic	3198	016 02290
	2122 Cap, 330p, 5%, 50v, Ceramic.	3198	016 33310
	2123 Cap, 2u2, +80/-20%, 10v, Ceramic	3198	017 22250
	2124 Cap, 330p, 5%, 50v, Ceramic.	3198	016 33310
	2125 Cap, 2u2, +80/-20%, 10v, Ceramic	3198	017 22250
	2131 Cap, 330p, 5%, 50v, Ceramic.	3198	016 33310
	2132 Cap, 2u2, +80/-20%, 10v, Ceramic	3198	017 22250
	2133 Cap, 330p, 5%, 50v, Ceramic.	3198	016 33310
	2134 Cap, 2u2, +80/-20%, 10v, Ceramic	3198	017 22250
	2135 Cap, 22p, 5%, 50v, Ceramic	3198	016 02290
	2136 Cap, 22p, 5%, 50v, Ceramic	3198	016 02290
	2141 Cap, 330p, 5%, 50v, Ceramic.	3198	016 33310
	2143 Cap, 100n, +80/-20%, 25v, Ceramic.	3198	023 41040
	2150 Cap, 150n, 10%, 16v, Ceramic	2238	780 15652
	2181 Cap, 22p, 5%, 50v, Ceramic	3198	016 02290
	2184 Cap, 2u2, +80/-20%, 10v, Ceramic	3198	017 22250
	2201 Cap, 100n, +80/-20%, 25v, Ceramic.	3198	023 21040
	2202 Cap, 100n, +80/-20%, 25v, Ceramic.	3198	023 21040
	2203 Cap, 100n, +80/-20%, 25v, Ceramic.	3198	023 41040
	2204 Cap, 100n, +80/-20%, 25v, Ceramic.	3198	023 41040
	2205 Cap, 220n, +80/-20%, 25v, Ceramic.	3198	023 22240
	2208 Cap, 100n, +80/-20%, 25v, Ceramic.	3198	023 41040
	2209 Cap, 4u7, 20%, 50v, Electrolytic	3198	025 54780
	2210 Cap, 1u, +80/-20%, 16v, Ceramic.	3198	017 21050
	2211 Cap, 470n, +80/-20%, 16v, Ceramic.	3198	017 24740
	2213 Cap, 22n, 10%, 50v, Ceramic.	3198	017 02230
	2214 Cap, 22n, 10%, 50v, Ceramic.	3198	017 02230

	2215 Cap, 22n, 10%, 50v, Ceramic.	3198	017 02230
	2216 Cap, 1000u, 20%, 16v, Electrolytic	3198	026 21020
	2217 Cap, 22n, 10%, 25v, Ceramic.	3198	017 32230
	2219 Cap, 220n, +80/-20%, 25v, Ceramic.	3198	023 22240
	2220 Cap, 470n, 10%, 50v, Polyester	3198	014 04740
	2221 Cap, 22n, 10%, 50v, Ceramic.	3198	017 02230
	2241 Cap, 1n5, 10%, 50v, Ceramic.	3198	017 31520
	2242 Cap, 1u, +80/-20%, 10v, Ceramic.	3198	017 41050
	2243 Cap, 2n2, 10%, 50v, Ceramic.	3198	017 02220
	2244 Cap, 100n, 5%, 63v, Metallized Polye ster.	2222	370 76104
	2245 Cap, 220n, +80/-20%, 16v, Ceramic.	3198	023 22240
	2247 Cap, 1000u, 20%, 16v, Electrolytic	3198	026 21020
	2248 Cap, 22n, 10%, 50v, Ceramic.	3198	017 02230
	2249 Cap, 22n, 10%, 25v, Ceramic.	3198	017 32230
	2250 Cap, 2u2, 20%, 50v, Electrolytic	3198	025 52280
	2252 Cap, 1n, 5%, 25v, Ceramic.	3198	016 31020
	2253 Cap, 1n, 5%, 25v, Ceramic.	3198	016 31020
	2254 Res, Zero ohm, Chip Jumper	3198	021 90020
	2405 Cap, 220u, 20%, 25v, Electrolytic.	3198	025 32210
	2441 Cap, 1u, 20%, 50v, Electrolytic.	3198	025 51080
	2443 Cap, 47n, +80/-20%, 50v, Ceramic	3198	017 24730
	2444 Cap, 1u, 20%, 50v, Electrolytic.	3198	025 51080
	2450 Cap, 47u, 20%, 160v, Electrolytic.	2020	021 91139
	2451 Cap, 15n, 10%, 50v, Polyester.	3198	014 01530
	2452 Cap, 180p, 5%, 50v, Ceramic.	3198	016 01810
	2455 Cap, 47u, 20%, 25v, Electrolytic	3198	025 34790
	2457 Cap, 470n, 5%, 250v, Polypropylene	2222	479 90023
	2458 Cap, 2u2, 20%, 100v, Electrolytic.	2020	021 91331
	2459 Cap, 680p, 10%, 500v, Ceramic.	3198	019 46810
	2460 Cap, 100p, 5%, 50v, Ceramic.	3198	016 01010
	2462 Cap, 330n, 10%, 250v, Polypropylene	2022	333 00084
	2463 Cap, 470p, 10%, 2000v, Ceramic	2020	558 90483
	2465 Cap, 11n, 5%, 1600v, Polypropylene	2222	375 90155
	2471 Cap, 100n, 10%, 50v, Polyester	3198	014 01040
	2472 Cap, 150n, 10%, 63v, Metallized Polye ster	2222	365 75154
	2473 Cap, 100n, 10%, 63v, Metallized Polye ster	2222	365 75104
	2474 Cap, 2n2, 10%, 50v, Ceramic.	3198	017 02220
	2475 Cap, 2n2, 10%, 50v, Ceramic.	3198	017 02220
	2476 Cap, 4n7, 10%, 50v, Ceramic.	3198	017 04720
	2480 Cap, 47u, 20%, 25v, Electrolytic	2020	021 90586
	2481 Cap, 470p, 10%, 500v, Ceramic.	3198	019 44710
	2482 Cap, 68n, 10%, 250v, Polyester	2222	347 90234
	2485 Cap, 4u7, 20%, 250v, Electrolytic	2020	021 90856
	2486 Cap, 470u, 20%, 16v, Electrolytic.	2020	021 91577
	2487 Cap, 47u, 20%, 50v, Electrolytic	2020	021 90854
	2488 Cap, 1000u, 20%, 16v, Electrolytic	2020	021 91049
	2489 Cap, 470u, 20%, 16v, Electrolytic.	2020	021 91577
	2491 Cap, 1n, 10%, 500v, Ceramic.	3198	019 41020
S 2500	Cap, 470n, 20%, 275v, Metallized Poly propylene.	2222	336 29148
	2501 Cap, 2n2, 10%, 1000v, Ceramic.	3198	019 52220
	2502 Cap, 2n2, 10%, 1000v, Ceramic.	3198	019 52220
	2503 Cap, 470u, 20%, 200v, Electrolytic	2020	024 90626
	2505 Cap, 2n2, 10%, 1000v, Ceramic.	3198	019 52220
	2507 Cap, 470p, 10%, 50v, Ceramic	3198	017 04710
	2508 Cap, 470p, 10%, 1000v, Ceramic	3198	019 64710
S 2515	Cap, 1n5, 20%, v, Ceramic.	2020	554 90128
	2520 Cap, 100n, 10%, 16v, Ceramic	3198	017 01040
	2521 Cap, 22u, 20%, 50v, Electrolytic	3198	025 52290
	2522 Cap, 100n, 10%, 16v, Ceramic	3198	017 01040
	2523 Cap, 1n5, 10%, 2000v, Ceramic.	2020	558 90489
	2525 Cap, 470p, 10%, 50v, Ceramic	3198	017 04710
	2527 Cap, 2n2, 10%, 50v, Ceramic.	3198	017 02220
	2528 Cap, 1n, 10%, 50v, Ceramic	3198	017 01020
	2540 Cap, 10n, 10%, 50v, Ceramic.	3198	017 01030
	2541 Cap, 10n, 10%, 50v, Ceramic.	3198	017 01030
	2560 Cap, 680p, 10%, 1000v, Ceramic	2020	558 90472
	2561 Cap, 100u, 20%, 160v, Electrolytic	2020	021 91654
	2562 Cap, 1n, 10%, 50v, Ceramic	3198	019 11020
	2563 Cap, 100n, 10%, 50v, Polyester	3198	014 01040
	2564 Cap, 2u2, 20%, 25v, Electrolytic	2020	021 91353
	2566 Cap, 470u, 20%, 6.3v, Electrolytic	3198	025 04710
	2567 Cap, 47u, 20%, 25v, Electrolytic	3198	025 34790
	2568 Cap, 1u, 20%, 50v, Electrolytic.	3198	025 51080
	2580 Cap, 47u, 20%, 16v, Electrolytic	3198	028 24790
	2581 Cap, 22u, 20%, 50v, Electrolytic	3198	025 52290
	2601 Cap, 220n, +80/-20%, 25v, Ceramic.	3198	023 22240
	2602 Cap, 100p, 5%, 50v, Ceramic.	3198	016 01010
	2606 Cap, 1n, 10%, 50v, Ceramic	3198	017 01020
	2607 Cap, 33p, 5%, 50v, Ceramic	3198	016 33390
	2608 Cap, 1u, +80/-20%, 10v, Ceramic.	3198	017 41050
	2609 Cap, 33p, 5%, 50v, Ceramic	3198	016 33390
	2611 Cap, 1u, +80/-20%, 10v, Ceramic.	3198	017 41050
	2612 Cap, 68p, 5%, 50v, Ceramic	3198	016 06890
	2613 Cap, 68p, 5%, 50v, Ceramic	3198	016 06890
	2615 Cap, 1n, 10%, 50v, Ceramic	3198	017 01020
	2618 Cap, 1u, +80/-20%, 10v, Ceramic.	3198	017 41050
	2619 Cap, 1u, +80/-20%, 16v, Ceramic.	3198	017 21050
	2691 Cap, 10u, 20%, 50v, Electrolytic	3198	025 51090

S = Safety Part Be sure to use exact replacement part.

26LW502231 (continued)

2801	Cap, 22u, 20%, 50v, Electrolytic	3198 025 52290	3212	Res, 470 ohm, 5%, 1/16W, Metallized G	
2802	Cap, 220n, +80/-20%, 16v, Ceramic.	3198 017 42240		lass	3198 021 34710
2804	Cap, 2u2, +80/-20%, 10v, Ceramic	3198 017 22250	3213	Res, 560 ohm, 5%, 1/6W, Carbon Film.	3198 011 05610
2805	Res, Zero ohm, Chip Jumper	3198 021 90020	3217	Res, 330K, 5%, 1/16W, Metallized Glass	3198 021 33340
2806	Res, Zero ohm, Chip Jumper	3198 021 90020	3218	Res, 82K, 5%, 1/16W, Metallized Glass	3198 021 38230
2831	Cap, 1p, 25%, 50v, Ceramic	3198 016 31080	3219	Res, 2K2, 5%, 1/16W, Metallized Glass	3198 021 32220
2832	Cap, 1p, 25%, 50v, Ceramic	3198 016 31080	3220	Res, 100 ohm, 5%, 1/6W, Carbon Film.	3198 011 01010
2833	Cap, 47p, 5%, 50v, Ceramic	3198 016 34790	3221	Res, 560 ohm, 5%, 1/6W, Carbon Film.	3198 011 05610
2834	Cap, 470p, 5%, 50v, Ceramic.	3198 016 34710	3222	Res, 100 ohm, 5%, 1/6W, Carbon Film.	3198 011 01010
2835	Cap, 220p, 5%, 50v, Ceramic.	3198 016 32210	3226	Res, 560 ohm, 5%, 1/16W, Metallized G	
2836	Cap, 1n5, 10%, 50v, Ceramic.	3198 017 31520		lass	3198 021 35610
2837	Cap, 4u7, 20%, 50v, Electrolytic	3198 025 54780	3235	Res, 100 ohm, 5%, 1/6W, Carbon Film.	3198 011 01010
2840	Cap, 100n, +80/-20%, 25v, Ceramic.	3198 023 41040	3241	Res, 22K, 5%, 1/16W, Metallized Glass	3198 021 32230
2841	Cap, 10u, 20%, 50v, Electrolytic	3198 025 51090	3242	Res, 12K, 5%, 1/10W, Metallized Glass	3198 021 51230
2842	Cap, 100n, +80/-20%, 25v, Ceramic.	3198 023 41040	3244	Res, 820 ohm, 5%, 1/6W, Carbon Film.	3198 011 08210
2843	Cap, 10u, 20%, 50v, Electrolytic	3198 025 51090	3245	Res, 39K, 1%, 1/10W, Metallized Glass	2120 108 92633
2844	Cap, 10u, 20%, 50v, Electrolytic	3198 025 51090	3246	Res, 10k, 5%, Carbon	3198 021 51030
2845	Cap, 100n, +80/-20%, 25v, Ceramic.	3198 023 41040	3247	Res, 680K, 5%, 1/10W, Metallized Glas	3198 021 56840
2846	Cap, 100u, 20%, 25v, Electrolytic.	3198 025 31010	3248	Res, 33K, 5%, 1/10W, Metallized Glass	3198 021 53330
2849	Cap, 1n, 5%, 25v, Ceramic.	3198 016 31020	3249	Res, 820 ohm, 5%, 1/6W, Carbon Film.	3198 011 08210
2850	Cap, 1n, 5%, 25v, Ceramic.	3198 016 31020	3250	Res, 8K2, 5%, 1/6W, Carbon Film.	3198 011 08220
2851	Res, Zero ohm, Chip Jumper	3198 021 90020	3251	Res, 100 ohm, 5%, 1/6W, Carbon Film.	3198 011 01010
2852	Cap, 1n, 5%, 25v, Ceramic.	3198 016 31020	3256	Res, 1k, 5%, Carbon.	3198 021 51020
2853	Res, Zero ohm, Chip Jumper	3198 021 90020	3257	Res, 10M, 5%, 1/10W, Metallized Glass	3198 021 51060
2854	Cap, 1n, 5%, 25v, Ceramic.	3198 016 31020	3258	Res, 100K, 5%, 1/10W, Metallized Glas	3198 021 51040
2855	Cap, 33p, 5%, 50v, Ceramic	3198 016 33390	3259	Res, 470K, 5%, 1/10W, Metallized Glas	3198 021 54740
2856	Cap, 47p, 5%, 50v, Ceramic	3198 016 34790	3441	Res, 100 ohm, 5%, 1/10W, Metallized G	
2857	Cap, 150p, 5%, 50v, Ceramic.	3198 016 31510		lass	3198 021 51010
2860	Cap, 180p, 5%, 50v, Ceramic.	3198 016 31810	3442	Res, Zero ohm, Chip Jumper	3198 021 90020
2894	Cap, 220p, 5%, 50v, Ceramic.	3198 016 32210	3443	Res, 1M, 5%, 1/10W, Metallized Glass	3198 021 51050
2895	Cap, 560p, 5%, 25v, Ceramic.	3198 016 35610	3445	Res, 15K, 5%, 1/6W, Carbon Film.	3198 011 01530
2897	Cap, 390p, 5%, 50v, Ceramic.	3198 016 33910	3446	Res, 5K6, 5%, 1/6W, Carbon Film.	3198 011 05620
2898	Cap, 10n, 10%, 50v, Ceramic.	3198 017 31030	3447	Res, 180 ohm, 5%, 1/6W, Carbon Film.	3198 011 01810
2902	Cap, 1000u, 20%, 16v, Electrolytic	3198 026 21020	3448	Res, 820 ohm, 5%, 1/6W, Carbon Film.	3198 011 08210
2903	Cap, 1u, 20%, 50v, Electrolytic.	3198 025 51080	3449	Res, 68 ohm, 5%, 1/6W, Carbon Film	3198 011 06890
2904	Cap, 470n, +80/-20%, 16v, Ceramic.	3198 017 24740	3450	Res, 33 ohm, 5%, 1/6W, Carbon Film.	3198 011 03390
2905	Cap, 1n, 10%, 50v, Ceramic	3198 017 01020	S 3451	Res, 10 ohm, 5%, 1/3W, Metal Film.	2306 204 03109
2906	Cap, 470n, +80/-20%, 16v, Ceramic.	3198 017 24740	3452	Res, 10K, 1%, 3/5W, Metal Film	2312 915 11003
2907	Cap, 1n, 10%, 50v, Ceramic	3198 017 01020	3453	Res, 1K, 5%, 1/6W, Carbon Film	3198 011 01020
2908	Cap, 10u, 20%, 50v, Electrolytic	3198 025 51090	3454	Res, 3K9, 1%, 3/5W, Metal Film	2312 915 13902
2910	Cap, 3n3, 10%, 50v, Ceramic.	3198 017 03320	3455	Res, 6R8, 5%, 1 1/3W, Metal Film	3198 012 26880
2911	Cap, 3n3, 10%, 50v, Ceramic.	3198 017 03320	3456	Res, Zero ohm, Chip Jumper	3198 021 90020
2950	Cap, 330p, 5%, 50v, Ceramic.	3198 016 33310	3457	Res, Zero ohm, Chip Jumper	3198 021 90020
3000	Res, 100 ohm, 5%, 1/6W, Carbon Film.	3198 011 01010	3458	Res, 1K, 5%, 1/6W, Carbon Film	3198 011 01020
3001	Res, 100 ohm, 5%, 1/6W, Carbon Film.	3198 011 01010	3459	Res, 15K, 5%, 1 1/3W, Metal Film	3198 012 21530
3002	Res, Zero ohm, Chip Jumper	3198 021 90020	3460	Res, 3K9, 5%, 1/6W, Carbon Film.	3198 011 03920
3003	Res, 1K5, 5%, 1/16W, Metallized Glass	3198 021 31520	3463	Res, 33 ohm, 5%, 1/6W, Carbon Film	3198 011 03390
3004	Res, 8K2, 5%, 1/16W, Metallized Glass	3198 021 38220	3465	Res, 27K, 1%, 3/5W, Metal Film	2312 915 12703
3005	Res, 100 ohm, 5%, 1/6W, Carbon Film.	3198 011 01010	3468	Res, 220 ohm, 5%, 1/6W, Carbon Film.	3198 011 02210
3101	Res, 68 ohm, 5%, 1/6W, Carbon Film	3198 011 06890	3469	Res, 3K3, 5%, 1/6W, Carbon Film.	3198 011 03320
3102	Res, 1K, 5%, 1/16W, Metallized Glass	3198 021 31020	3470	Res, 330K, 5%, 1/10W, Metallized Glas	3198 021 53340
3103	Res, 150 ohm, 5%, 1/6W, Carbon Film.	3198 011 01510	3471	Res, 3R3, 1%, 3/5W, Metal Film	2312 915 13308
3104	Res, 220K, 5%, 1/16W, Metallized Glas	3198 021 32240	3472	Res, 3R3, 1%, 3/5W, Metal Film	2312 915 13308
3105	Res, 150 ohm, 5%, 1/6W, Carbon Film.	3198 011 01510	3473	Res, 3R3, 1%, 3/5W, Metal Film	2312 915 13308
3106	Res, 220K, 5%, 1/16W, Metallized Glas	3198 021 32240	3474	Res, 2K2, 1%, 3/5W, Metal Film	2312 915 12202
3111	Res, 75 ohm, 5%, 1/6W, Carbon Film	3198 011 07590	3475	Res, 2K2, 1%, 3/5W, Metal Film	2312 915 12202
3112	Res, 100 ohm, 5%, 1/6W, Carbon Film.	3198 011 01010	3477	Res, 150 ohm, 5%, 1/6W, Carbon Film.	3198 011 01510
3113	Res, 75 ohm, 5%, 1/6W, Carbon Film	3198 011 07590	3478	Res, 150 ohm, 5%, 1/6W, Carbon Film.	3198 011 01510
3114	Res, 100 ohm, 5%, 1/6W, Carbon Film.	3198 011 01010	3479	Res, 2K7, 5%, 1/10W, Metallized Glass	3198 021 52720
3115	Res, 75 ohm, 5%, 1/6W, Carbon Film	3198 011 07590	3480	Res, 1R5, 5%, 1/4W, Carbon Film.	2120 101 74158
3116	Res, 100 ohm, 5%, 1/6W, Carbon Film.	3198 011 01010	3481	Res, 15K, 1%, 3/5W, Metal Film	2312 915 11503
3122	Wire Jumper, 0.58MM.	3198 036 90010	3482	Res, 12k, 1%, Metal Film	2312 915 11203
3123	Res, 150 ohm, 5%, 1/6W, Carbon Film.	3198 011 01510	3484	Res, 3K9, 5%, 1/6W, Carbon Film.	3198 011 03920
3124	Res, 47K, 5%, 1/16W, Metallized Glass	3198 021 34730	3486	Res, 33 ohm, 5%, 2 1/2W, Metal Film.	3198 012 33390
3125	Res, 150 ohm, 5%, 1/6W, Carbon Film.	3198 011 01510	3488	Res, 4R7, 5%, 1/2W, Metal Film	2306 207 03478
3126	Res, 47K, 5%, 1/16W, Metallized Glass	3198 021 34730	3490	Res, 8K2, 5%, 1/6W, Carbon Film.	3198 011 08220
3131	Res, 150 ohm, 5%, 1/6W, Carbon Film.	3198 011 01510	3492	Res, 1k, 5%, Carbon.	3198 021 51020
3132	Res, 47K, 5%, 1/16W, Metallized Glass	3198 021 34730	3493	Res, 6R8, 5%, 1/3W, Metal Film	2306 204 03688
3133	Res, 150 ohm, 5%, 1/6W, Carbon Film.	3198 011 01510	3494	Res, 4R7, 5%, 1/2W, Metal Film	2306 207 03478
3134	Res, 47K, 5%, 1/16W, Metallized Glass	3198 021 34730	3495	Res, 22k, 5%, Carbon	3198 021 52230
3135	Res, 75 ohm, 5%, 1/6W, Carbon Film	3198 011 07590	3496	Res, 100K, 5%, 1/10W, Metallized Glas	3198 021 51040
3136	Res, 100 ohm, 5%, 1/6W, Carbon Film.	3198 011 01010	3497	Res, 100K, 5%, 1/10W, Metallized Glas	3198 021 51040
3138	Wire Jumper, 0.58MM.	3198 036 90010	3498	Res, 12K, 5%, 1/10W, Metallized Glass	3198 021 51230
3141	Res, 1K, 5%, 1/6W, Carbon Film	3198 011 01020	3499	Res, 10k, 5%, Carbon	3198 021 51030
3149	Res, 100K, 5%, 1/16W, Metallized Glas	3198 021 31040	S 3500	Res, 3M3, 5%, 1/2W, Metallized Glass	2322 242 13335
3150	Res, 150K, 5%, 1/16W, Metallized Glas	3198 021 31540	S 3501	Res, 3M3, 5%, 1/2W, Metallized Glass	2322 242 13335
3154	Res, 5K6, 5%, 1/6W, Carbon Film.	3198 011 05620	3504	Res, 3 ohm, +30%/-20%, 144v, PTC, Car	
3156	Res, 10K, 5%, 1/6W, Carbon Film.	3198 011 01030		bon Film	2122 663 00019
3157	Res, 1K5, 5%, 1/16W, Metallized Glass	3198 021 31520	S 3506	Res, 1M5, 5%, 1/2W, Metallized Glass	2322 242 13155
3158	Res, 10K, 5%, 1/16W, Metallized Glass	3198 021 31030	S 3507	Surge Protector, DSP-301N-A21F A.	2422 549 43073
3159	Res, 1K2, 1%, 1/10W, Metallized Glass	2120 108 92616	S 3508	Res, 220 ohm, 20%, 1/2W, Carbon Film	3198 013 02210
3200	Res, 390 ohm, 5%, 1/6W, Carbon Film.	3198 011 03910	3510	Res, 4.7 ohm, 20%, 3W1, NTC, Carbon F	
3201	Res, 100 ohm, 5%, 1/6W, Carbon Film.	3198 011 01010		ilm.	2122 612 00056
3202	Res, 100 ohm, 5%, 1/6W, Carbon Film.	3198 011 01010	3519	Res, 270 ohm, 5%, 1/6W, Carbon Film.	3198 011 02710
3203	Res, 100 ohm, 5%, 1/6W, Carbon Film.	3198 011 01010	3520	Res, 1K2, 5%, 1/10W, Metallized Glass	3198 021 51220
3204	Res, 22K, 5%, 1/6W, Carbon Film.	3198 011 02230	3521	Res, 4R7, 5%, 1/6W, Carbon Film.	3198 011 04780
3205	Res, 1k, 5%, Carbon.	3198 021 51020	3522	Res, 330K, 5%, 1/10W, Metallized Glas	3198 021 53340
3206	Res, 33K, 5%, 1/16W, Metallized Glass	3198 021 33330	S 3523	Res, 100 ohm, 5%, 1/3W, Metal Film	2306 204 03101
3207	Res, 1K, 5%, 1/6W, Carbon Film	3198 011 01020	3524	Res, 56K, 5%, 1/10W, Metallized Glass	3198 021 55630
3208	Res, 220 ohm, 5%, 1/16W, Metallized G		3525	Res, 1k, 5%, Carbon.	3198 021 51020
	lass	3198 021 32210	3526	Res, OR1, 5%, 3/5W, Metal Film	3198 012 11070
3209	Res, 68 ohm, 5%, 1/16W, Metallized Gl		3527	Res, OR33, 5%, 3/5W, Metal Film	3198 012 13370
	ass.	3198 021 36890			

S = Safety Part Be sure to use exact replacement part.

26LW502231 (continued)

3528	Res, Zero ohm, Chip Jumper	3198	021	90020	3906	Res, 10K, 5%, 1/16W, Metallized Glass	3198	021	31030
3529	Res, 47K, 5%, 1/10W, Metallized Glass	3198	021	54730	3907	Res, 8K2, 5%, 1/16W, Metallized Glass	3198	021	38220
3530	Res, 10K, 5%, Carbon	3198	021	51030	4001	Res, Zero ohm, Chip Jumper	3198	021	90020
3531	Res, 4K7, 5%, 1/10W, Metallized Glass	3198	021	54720	4002	Res, Zero ohm, Chip Jumper	3198	021	90020
S 3532	Res, 2K2, 5%, 1/3W, Metal Film	2306	204	03222	4181	Res, Zero ohm, Chip Jumper	3198	021	90020
3541	Res, 470 ohm, 5%, 1/10W, Metallized Glass	3198	021	54710	4209	Res, Zero ohm, Chip Jumper	3198	021	90020
3542	Res, 1K5, 5%, 1/10W, Metallized Glass	3198	021	51520	4216	Res, Zero ohm, Chip Jumper	3198	021	90020
3543	Res, 82K, 1%, 3/5W, Metal Film	2312	915	18203	4217	Res, Zero ohm, Chip Jumper	3198	021	90020
3544	Res, 4K7, 1%, 1/8W, Metallized Glass	2322	734	64702	4401	Res, Zero ohm, Chip Jumper	3198	021	90020
3545	Res, 270K, 5%, 1/8W, Metallized Glass	2322	730	61274	4402	Res, Zero ohm, Chip Jumper	3198	021	90020
3548	Res, 15K, 5%, 1/10W, Metallized Glass	3198	021	51530	4430	Res, Zero ohm, Chip Jumper	3198	021	90020
3552	Res, 4K7, 5%, 1/10W, Metallized Glass	3198	021	54720	4500	Res, Zero ohm, Chip Jumper	3198	021	90020
3557	Res, 1k, 5%, Carbon	3198	021	51020	4601	Res, Zero ohm, Chip Jumper	3198	021	90020
3560	Res, 47 ohm, 5%, 1/6W, Carbon Film	3198	011	04790	4613	Res, Zero ohm, Chip Jumper	3198	021	90020
3561	Res, 100 ohm, 5%, 1/6W, Carbon Film	3198	011	01010	4614	Res, Zero ohm, Chip Jumper	3198	021	90020
3562	Res, 12K, 5%, 1/10W, Metallized Glass	3198	021	51230	4615	Res, Zero ohm, Chip Jumper	3198	021	90020
3563	Res, 5K6, 5%, 1/10W, Metallized Glass	3198	021	55620	4617	Res, Zero ohm, Chip Jumper	3198	021	90020
3564	Res, 0R1, 5%, 1 1/3W, Metal Film	3198	012	21070	4619	Res, Zero ohm, Chip Jumper	3198	021	90020
3565	Res, 330 ohm, 5%, 1W, Metal Film	3198	012	13310	4622	Res, Zero ohm, Chip Jumper	3198	021	90020
3566	Res, 2K2, 5%, 1/10W, Metallized Glass	3198	021	52220	4623	Res, Zero ohm, Chip Jumper	3198	021	90020
3567	Res, 1K8, 5%, 1/16W, Metallized Glass	3198	021	31820	4691	Res, Zero ohm, Chip Jumper	3198	021	90020
3568	Res, 8K2, 5%, 1/10W, Metallized Glass	3198	021	58220	4692	Res, Zero ohm, Chip Jumper	3198	021	90020
3569	Res, 5K6, 5%, 1/10W, Metallized Glass	3198	021	55620	4693	Res, Zero ohm, Chip Jumper	3198	021	90020
3580	Res, 47K, 5%, 1/10W, Metallized Glass	3198	021	54730	4696	Res, Zero ohm, Chip Jumper	3198	021	90020
3594	Res, 330 ohm, 5%, 1/10W, Metallized Glass	3198	021	53310	4801	Res, Zero ohm, Chip Jumper	3198	021	90020
3595	Res, 220K, 5%, 1/10W, Metallized Glass	3198	021	52240	4831	Res, Zero ohm, Chip Jumper	3198	021	90020
3596	Res, 220K, 5%, 1/10W, Metallized Glass	3198	021	52240	4833	Res, Zero ohm, Chip Jumper	3198	021	90020
3601	Res, 8K2, 5%, 1/6W, Carbon Film	3198	011	08220	4835	Res, Zero ohm, Chip Jumper	3198	021	90020
3603	Res, 100 ohm, 5%, 1/6W, Carbon Film	3198	011	01010	4901	Res, Zero ohm, Chip Jumper	3198	021	90020
3604	Res, 100 ohm, 5%, 1/6W, Carbon Film	3198	011	01010	4903	Res, Zero ohm, Chip Jumper	3198	021	90020
3605	Res, 4K7, 5%, 1/16W, Metallized Glass	3198	021	34720	4982	Res, Zero ohm, Chip Jumper	3198	021	90020
3606	Res, 2K2, 5%, 1/6W, Carbon Film	3198	011	02220	5001	Coil, 27u	3198	018	22790
3607	Res, 2K2, 5%, 1/6W, Carbon Film	3198	011	02220	5002	Coil, 820n	3198	018	18270
3608	Res, 100 ohm, 5%, 1/6W, Carbon Film	3198	011	01010	5201	Coil, 6u8	3198	018	16880
3609	Res, 1K, 5%, 1/6W, Carbon Film	3198	011	01020	5202	Coil, 10u	3198	018	21090
3610	Res, 8K2, 5%, 1/6W, Carbon Film	3198	011	08220	5204	Fixed, Inductor, 100MHZ, 80 ohm	3198	018	90020
3611	Res, 100 ohm, 5%, 1/16W, Metallized Glass	3198	021	31010	5205	Fixed, Inductor, 100MHZ, 80 ohm	3198	018	90020
3618	Res, 6K8, 5%, 1/6W, Carbon Film	3198	011	06820	5206	Wire Jumper, 0.58MM	3198	036	90010
3622	Res, 100 ohm, 5%, 1/10W, Metallized Glass	3198	021	51010	5241	Coil, 10u	3198	018	21090
3623	Res, 4K7, 5%, 1/16W, Metallized Glass	3198	021	34720	5242	Coil, 10u	3198	018	11090
3624	Res, 100 ohm, 5%, 1/6W, Carbon Film	3198	011	01010	S 5445	Transformer, LOT, USLOT+U AT2078	3128	138	21401
3625	Res, 100 ohm, 5%, 1/6W, Carbon Film	3198	011	01010	5451	Coil, 33u	3198	018	73390
3626	Res, 4K7, 5%, 1/16W, Metallized Glass	3198	021	34720	5452	Fixed, Inductor, 100MHZ, 80 ohm	3198	018	90020
3627	Res, 4K7, 5%, 1/16W, Metallized Glass	3198	021	34720	5457	Linear Correction Coil	3128	138	53241
3628	Res, 10K, 5%, 1/16W, Metallized Glass	3198	021	31030	5461	Transformer, Signal Driver, SC10015-0			
3630	Res, 2K2, 5%, 1/16W, Metallized Glass	3198	021	32220	5471	0 B	2422	531	02465
3632	Res, Zero ohm, Chip Jumper	3198	021	90020	5472	Coil, 3u3	3198	018	73380
3634	Res, 100 ohm, 5%, 1/6W, Carbon Film	3198	011	01010	5480	Coil, 33u	2422	535	97335
3635	Res, 100 ohm, 5%, 1/6W, Carbon Film	3198	011	01010	S 5501	Filter, Mains, 5mH, 2A	2422	549	43432
3636	Res, 100 ohm, 5%, 1/10W, Metallized Glass	3198	021	51010	S 5520	Transformer, SMT Layer, SS39009-04 B	2422	531	02459
3638	Res, 75 ohm, 5%, 1/16W, Metallized Glass	3198	021	37590	5521	Fixed, Inductor, 100MHZ, 50R	3198	018	90010
3639	Res, Zero ohm, Chip Jumper	3198	021	90020	5560	Fixed, Inductor, 100MHZ, 50R	3198	018	90010
3681	Res, 390 ohm, 5%, 1/16W, Metallized Glass	3198	021	33910	5561	Coil, 27u	3198	018	22790
3682	Res, 3K3, 5%, 1/16W, Metallized Glass	3198	021	33320	5562	Fixed, Inductor, 100MHZ, 50R	3198	018	90010
3683	Res, 390 ohm, 5%, 1/16W, Metallized Glass	3198	021	33910	5602	Coil, 5u6	3198	018	15680
3684	Res, 560 ohm, 5%, 1/16W, Metallized Glass	3198	021	35610	5603	Coil, 5u6	3198	018	15680
3685	Res, 560 ohm, 5%, 1/16W, Metallized Glass	3198	021	35610	5604	Coil, 5u6	3198	018	15680
3686	Res, 1K5, 5%, 1/16W, Metallized Glass	3198	021	31520	5831	Coil, 6u8	3198	018	16880
3691	Res, 330 ohm, 5%, 1/16W, Metallized Glass	3198	021	33310	5832	Coil, 6u8	3198	018	16880
3693	Res, 220 ohm, 5%, 1/16W, Metallized Glass	3198	021	32210	5833	Coil, 6u8	3198	018	16880
3694	Res, 4K7, 5%, 1/16W, Metallized Glass	3198	021	34720	5835	Coil, 12u	3198	018	31290
3801	Res, 220 ohm, 5%, 1/6W, Carbon Film	3198	011	02210	6001	Zener Diode, 33 volt	3198	010	23390
3802	Res, 1K, 5%, 1/6W, Carbon Film	3198	011	01020	6006	Diode, Signal, 1N4148	3198	010	10010
3809	Res, 75 ohm, 5%, 1/16W, Metallized Glass	3198	021	37590	6007	Diode, Signal, 1N4148	3198	010	10010
3810	Res, 75 ohm, 5%, 1/16W, Metallized Glass	3198	021	37590	6150	Diode, Signal, BAS316	3198	010	10630
3831	Res, 47K, 5%, 1/16W, Metallized Glass	3198	021	34730	6201	Diode, Signal, BAS316	3198	010	10630
3832	Res, 100 ohm, 5%, 1/6W, Carbon Film	3198	011	01010	6202	Diode, Signal, BAS316	3198	010	10630
3833	Res, 100 ohm, 5%, 1/6W, Carbon Film	3198	011	01010	6206	Zener Diode, 6.8 volt	3198	020	56880
3836	Res, 1K, 5%, 1/16W, Metallized Glass	3198	021	31020	6445	Zener Diode, 10 volt	3198	020	51090
3837	Res, 100 ohm, 5%, 1/6W, Carbon Film	3198	011	01010	6447	Diode, Signal, 1N4148	3198	010	10010
3838	Res, 1K, 5%, 1/16W, Metallized Glass	3198	021	31020	6448	Zener Diode, 6.2 volt	9331	668	30133
3839	Res, 100 ohm, 5%, 1/6W, Carbon Film	3198	011	01010	6449	Diode, Signal, BAV99	3198	010	10620
3843	Res, 2K2, 5%, 1/16W, Metallized Glass	3198	021	32220	6453	Zener Diode, 6.8 volt	3198	020	56880
3901	Res, 1K, 5%, 1/16W, Metallized Glass	3198	021	31020	6460	Diode, Rect, BY228/24	9340	559	50112
3902	Res, 3K3, 5%, 1/16W, Metallized Glass	3198	021	33320	6461	Diode, Rect, RGP30J-L7004	9338	617	60682
3903	Res, 3K3, 5%, 1/16W, Metallized Glass	3198	021	33320	6462	Zener Diode, 8.2 volt	3198	010	28280
3904	Res, 10K, 5%, 1/16W, Metallized Glass	3198	021	31030	6465	Diode, Signal, BAV21	3198	010	10070
3905	Res, 3K3, 5%, 1/16W, Metallized Glass	3198	021	33320	6466	Diode, Signal, BAV21	3198	010	10070
					6467	Diode, Signal, BAS316	3198	010	10630
					6468	Diode, Signal, BAS316	3198	010	10630
					6469	Diode, Rect, BYD33J	9337	234	20133
					6470	Diode, Signal, BAV99	3198	010	10620
					6476	Zener Diode, 15 volt	3198	010	21590
					6481	Zener Diode, 5.6 volt	3198	010	25680
					6482	Zener Diode, 9.1 volt	9331	177	80133
					6483	Zener Diode, 33 volt	3198	010	23390
					6485	Diode, Rect, BYD33J	9337	234	20133
					6486	Diode, Rect, EGP20DL-5100	9322	164	42682
					6487	Diode, Rect, BYD33D	9337	234	00133
					6488	Diode, Rect, EGP20DL-5100	9322	164	42682

S = Safety Part Be sure to use exact replacement part.

26LW502231 (continued)

6500	Diode, Bridge Rect, GBU4JL-7002 . . .	9322	132	55667	9501	Wire Jumper, 0.58MM.	3198	036	90010
6520	Diode, Rect, BYD33D	9337	234	00133	9503	Wire Jumper, 0.58MM.	3198	036	90010
6523	Diode, Signal, 1N4148.	3198	010	10010	S 9506	Wire Jumper, 0.58MM.	3198	036	90010
6524	Diode, Rect, 1N5062	3198	010	10120	S 9507	Wire Jumper, 0.58MM.	3198	036	90010
6525	Diode, Rect, 1N5062	3198	010	10120	9510	Wire Jumper, 0.58MM.	3198	036	90010
6526	Zener Diode, 22 volt	3198	020	52290	9512	Wire Jumper, 0.58MM.	3198	036	90010
6540	Zener Diode, 6.2 volt.	9331	668	30133	9513	Wire Jumper, 0.58MM.	3198	036	90010
6541	Zener Diode, 9.1 volt.	9322	150	08685	9514	Wire Jumper, 0.58MM.	3198	036	90010
6560	Diode, Rect, BYV29X-500.	9340	555	59127	9515	Wire Jumper, 0.58MM.	3198	036	90010
6562	Diode, Rect, EGP20DL-5100.	9322	164	42682	9516	Wire Jumper, 0.58MM.	3198	036	90010
6563	Diode, Signal, BAS316.	3198	010	10630	9518	Wire Jumper, 0.58MM.	3198	036	90010
6565	Diode, Signal, BAV70	9331	849	10215	9520	Wire Jumper, 0.58MM.	3198	036	90010
6566	Diode, Signal, 1N4148.	3198	010	10010	9521	Wire Jumper, 0.58MM.	3198	036	90010
6569	Diode, Signal, BAS316.	3198	010	10630	9522	Wire Jumper, 0.58MM.	3198	036	90010
6570	Zener Diode, 6.8 volt.	3198	020	56880	9524	Wire Jumper, 0.58MM.	3198	036	90010
6580	Diode, Signal, BAS316.	3198	010	10630	9525	Wire Jumper, 0.58MM.	3198	036	90010
6681	Diode Signal, IG BAT85	9336	247	60133	9528	Wire Jumper, 0.58MM.	3198	036	90010
6691	LED, VS LTL-10224WHCR.	9322	050	99682	9610	Wire Jumper, 0.58MM.	3198	036	90010
6692	IR, Receiver, TSOP1836UH3V	9322	127	54667	9611	Coil, 27u.	3198	018	22790
6831	Diode, Signal, 1N4148.	3198	010	10010	9612	Wire Jumper, 0.58MM.	3198	036	90010
6901	Res, Zero ohm, Chip Jumper	3198	021	90020	9613	Wire Jumper, 0.58MM.	3198	036	90010
7101	Transistor, NPN, BC847B.	3198	010	42030	9614	Wire Jumper, 0.58MM.	3198	036	90010
7102	Transistor, PNP, BC857B.	3198	010	42150	9615	Wire Jumper, 0.58MM.	3198	036	90010
7103	Transistor, NPN, BC847B.	3198	010	42030	9616	Wire Jumper, 0.58MM.	3198	036	90010
7200	IC, SM TDA9587H/N1/3	9352	716	32557	9617	Wire Jumper, 0.58MM.	3198	036	90010
7201	Transistor, NPN, BC847B.	3198	010	42030	9618	Wire Jumper, 0.58MM.	3198	036	90010
7204	Transistor, PNP, BC857B.	3198	010	42150	9619	Wire Jumper, 0.58MM.	3198	036	90010
7205	Transistor, PNP, BC857B.	3198	010	42150	9620	Wire Jumper, 0.58MM.	3198	036	90010
7441	Transistor, PNP, BC857B.	3198	010	42150	9621	Wire Jumper, 0.58MM.	3198	036	90010
7443	Transistor, PNP, BC557B.	3198	020	40110	9622	Wire Jumper, 0.58MM.	3198	036	90010
7450	Transistor, PNP, PDTA114ET	3198	010	44010	9623	Wire Jumper, 0.58MM.	3198	036	90010
7460	Transistor, NPN, BU4508DX.	9340	550	92127	9624	Wire Jumper, 0.58MM.	3198	036	90010
7461	Transistor, NPN, BC337-25.	3198	020	43530	9625	Wire Jumper, 0.58MM.	3198	036	90010
7462	Transistor, NPN, PDTC143ZT	9340	547	00215	9626	Wire Jumper, 0.58MM.	3198	036	90010
7463	Transistor, PNP, BC327-25.	3198	020	43430	9627	Wire Jumper, 0.58MM.	3198	036	90010
7471	IC, TDA8359J/N2.	9352	701	64112	9628	Wire Jumper, 0.58MM.	3198	036	90010
7480	Transistor, NPN, BD135	3198	020	41010	9629	Wire Jumper, 0.58MM.	3198	036	90010
7482	Transistor, NPN, BD135	3198	020	41010	9630	Wire Jumper, 0.58MM.	3198	036	90010
S 7515	Optical Coupler, TCET1104(G)	9322	175	72667	9631	Wire Jumper, 0.58MM.	3198	036	90010
7520	IC, TEA1507P/N1.	9352	673	56112	9632	Wire Jumper, 0.58MM.	3198	036	90010
7521	FET Power STP8NC50FP	9322	160	72687	9633	Wire Jumper, 0.58MM.	3198	036	90010
7522	Transistor, NPN, BC847B(COL)	3198	010	42030	9634	Wire Jumper, 0.58MM.	3198	036	90010
7540	Transistor, NPN, BC547B(COL)	3198	020	40030	9637	Wire Jumper, 0.58MM.	3198	036	90010
7541	Transistor, NPN, PDTC114ET	9340	310	10215	9638	Wire Jumper, 0.58MM.	3198	036	90010
7542	Transistor, PNP, BC857B(COL)	3198	010	42150	9639	Wire Jumper, 0.58MM.	3198	036	90010
7560	IC, L78L33ACZ.	9322	134	92676	9640	Wire Jumper, 0.58MM.	3198	036	90010
7561	Transistor, NPN, PDTC143ZT	9340	547	00215	9641	Wire Jumper, 0.58MM.	3198	036	90010
7562	Transistor, PNP, BC857B(COL)	3198	010	42150	9642	Wire Jumper, 0.58MM.	3198	036	90010
7564	Transistor, PNP, BC857B(COL)	3198	010	42150	9643	Wire Jumper, 0.58MM.	3198	036	90010
7580	Transistor, PNP, BC857B(COL)	3198	010	42150	9644	Wire Jumper, 0.58MM.	3198	036	90010
7602	IC, M24C08-WBN6.	9322	154	38682	9645	Wire Jumper, 0.58MM.	3198	036	90010
7801	IC, SM HEF4052BT	9333	729	50653	9646	Wire Jumper, 0.58MM.	3198	036	90010
7802	IC, SM HEF4052BT	9333	729	60653	9648	Wire Jumper, 0.58MM.	3198	036	90010
7831	IC, MSP3445G-PO-88	9322	160	81682	9650	Wire Jumper, 0.58MM.	3198	036	90010
7901	IC, AN7522N.	9322	158	65667	9654	Wire Jumper, 0.58MM.	3198	036	90010
9001	Wire Jumper, 0.58MM.	3198	036	90010	9655	Wire Jumper, 0.58MM.	3198	036	90010
9101	Wire Jumper, 0.58MM.	3198	036	90010	9656	Wire Jumper, 0.58MM.	3198	036	90010
9102	Wire Jumper, 0.58MM.	3198	036	90010	9657	Wire Jumper, 0.58MM.	3198	036	90010
9103	Wire Jumper, 0.58MM.	3198	036	90010	9658	Wire Jumper, 0.58MM.	3198	036	90010
9171	Wire Jumper, 0.58MM.	3198	036	90010	9659	Wire Jumper, 0.58MM.	3198	036	90010
9172	Wire Jumper, 0.58MM.	3198	036	90010	9660	Wire Jumper, 0.58MM.	3198	036	90010
9173	Wire Jumper, 0.58MM.	3198	036	90010	9661	Wire Jumper, 0.58MM.	3198	036	90010
9175	Wire Jumper, 0.58MM.	3198	036	90010	9662	Wire Jumper, 0.58MM.	3198	036	90010
9176	Wire Jumper, 0.58MM.	3198	036	90010	9663	Wire Jumper, 0.58MM.	3198	036	90010
9178	Wire Jumper, 0.58MM.	3198	036	90010	9664	Wire Jumper, 0.58MM.	3198	036	90010
9179	Wire Jumper, 0.58MM.	3198	036	90010	9665	Wire Jumper, 0.58MM.	3198	036	90010
9181	Wire Jumper, 0.58MM.	3198	036	90010	9666	Wire Jumper, 0.58MM.	3198	036	90010
9182	Wire Jumper, 0.58MM.	3198	036	90010	9668	Wire Jumper, 0.58MM.	3198	036	90010
9183	Wire Jumper, 0.58MM.	3198	036	90010	9669	Wire Jumper, 0.58MM.	3198	036	90010
9192	Wire Jumper, 0.58MM.	3198	036	90010	9670	Wire Jumper, 0.58MM.	3198	036	90010
9193	Wire Jumper, 0.58MM.	3198	036	90010	9672	Wire Jumper, 0.58MM.	3198	036	90010
9406	Wire Jumper, 0.58MM.	3198	036	90010	9674	Wire Jumper, 0.58MM.	3198	036	90010
9407	Wire Jumper, 0.58MM.	3198	036	90010	9675	Wire Jumper, 0.58MM.	3198	036	90010
9408	Wire Jumper, 0.58MM.	3198	036	90010	9676	Wire Jumper, 0.58MM.	3198	036	90010
9409	Wire Jumper, 0.58MM.	3198	036	90010	9678	Wire Jumper, 0.58MM.	3198	036	90010
9410	Wire Jumper, 0.58MM.	3198	036	90010	9679	Wire Jumper, 0.58MM.	3198	036	90010
9411	Wire Jumper, 0.58MM.	3198	036	90010	9680	Wire Jumper, 0.58MM.	3198	036	90010
9412	Wire Jumper, 0.58MM.	3198	036	90010	9683	Wire Jumper, 0.58MM.	3198	036	90010
9413	Wire Jumper, 0.58MM.	3198	036	90010	9685	Wire Jumper, 0.58MM.	3198	036	90010
9415	Wire Jumper, 0.58MM.	3198	036	90010	9686	Wire Jumper, 0.58MM.	3198	036	90010
9416	Wire Jumper, 0.58MM.	3198	036	90010	9687	Wire Jumper, 0.58MM.	3198	036	90010
9417	Wire Jumper, 0.58MM.	3198	036	90010	9688	Wire Jumper, 0.58MM.	3198	036	90010
9418	Wire Jumper, 0.58MM.	3198	036	90010	9689	Wire Jumper, 0.58MM.	3198	036	90010
9419	Wire Jumper, 0.58MM.	3198	036	90010	9690	Wire Jumper, 0.58MM.	3198	036	90010
9421	Wire Jumper, 0.58MM.	3198	036	90010	9691	Wire Jumper, 0.58MM.	3198	036	90010
9422	Wire Jumper, 0.58MM.	3198	036	90010	9694	Wire Jumper, 0.58MM.	3198	036	90010
9423	Wire Jumper, 0.58MM.	3198	036	90010	9695	Wire Jumper, 0.58MM.	3198	036	90010
9425	Wire Jumper, 0.58MM.	3198	036	90010	9697	Wire Jumper, 0.58MM.	3198	036	90010
9427	Wire Jumper, 0.58MM.	3198	036	90010	9698	Wire Jumper, 0.58MM.	3198	036	90010
9453	Wire Jumper, 0.58MM.	3198	036	90010	9699	Wire Jumper, 0.58MM.	3198	036	90010
9460	Wire Jumper, 0.58MM.	3198	036	90010	9821	Wire Jumper, 0.58MM.	3198	036	90010
9500	Wire Jumper, 0.58MM.	3198	036	90010	9822	Wire Jumper, 0.58MM.	3198	036	90010

S = Safety Part Be sure to use exact replacement part.

26LW502231 (continued)

9824	Wire Jumper, 0.58MM.	3198	036	90010	0254	5 Pin Connector.	2422	025	12481
9825	Wire Jumper, 0.58MM.	3198	036	90010	0255	4 Pin Connector.	2422	025	12479
9827	Wire Jumper, 0.58MM.	3198	036	90010	2171	Cap, 470p, 10%, 50v, Ceramic	3198	019	14710
9828	Wire Jumper, 0.58MM.	3198	036	90010	2172	Cap, 470p, 10%, 50v, Ceramic	3198	019	14710
9829	Wire Jumper, 0.58MM.	3198	036	90010	2173	Cap, 470p, 10%, 50v, Ceramic	3198	019	14710
9830	Wire Jumper, 0.58MM.	3198	036	90010	2174	Cap, 470p, 10%, 50v, Ceramic	3198	019	14710
9831	Wire Jumper, 0.58MM.	3198	036	90010	2176	Cap, 470p, 10%, 50v, Ceramic	3198	019	14710
9832	Wire Jumper, 0.58MM.	3198	036	90010	2177	Cap, 10u, 20%, 50v, Electrolytic . . .	3198	025	51090
9834	Wire Jumper, 0.58MM.	3198	036	90010	2178	Cap, 470p, 10%, 50v, Ceramic	3198	019	14710
9835	Wire Jumper, 0.58MM.	3198	036	90010	2179	Cap, 10u, 20%, 50v, Electrolytic . . .	3198	025	51090
9836	Wire Jumper, 0.58MM.	3198	036	90010	3150	Res, 47K, 5%, 1/6W, Carbon Film. . .	3198	011	04730
9837	Wire Jumper, 0.58MM.	3198	036	90010	3151	Res, 150 ohm, 5%, 1/6W, Carbon Film.	3198	011	01510
9838	Wire Jumper, 0.58MM.	3198	036	90010	3152	Res, 47K, 5%, 1/6W, Carbon Film. . .	3198	011	04730
9839	Wire Jumper, 0.58MM.	3198	036	90010	3153	Res, 150 ohm, 5%, 1/6W, Carbon Film.	3198	011	01510
9840	Wire Jumper, 0.58MM.	3198	036	90010	3156	Res, 120 ohm, 5%, 1/6W, Carbon Film.	3198	011	01210
9841	Wire Jumper, 0.58MM.	3198	036	90010	3157	Res, 120 ohm, 5%, 1/6W, Carbon Film.	3198	011	01210
9842	Wire Jumper, 0.58MM.	3198	036	90010	6161	Zener Diode, 6.8 volt.	3198	010	26880
9843	Wire Jumper, 0.58MM.	3198	036	90010	9153	Jumper	3198	036	90010
9844	Wire Jumper, 0.58MM.	3198	036	90010	9170	Jumper	3198	036	90010
9845	Wire Jumper, 0.58MM.	3198	036	90010	9171	Jumper	3198	036	90010
9846	Wire Jumper, 0.58MM.	3198	036	90010					
9847	Wire Jumper, 0.58MM.	3198	036	90010					
9849	Wire Jumper, 0.58MM.	3198	036	90010					
9851	Wire Jumper, 0.58MM.	3198	036	90010					
9901	Wire Jumper, 0.58MM.	3198	036	90010					
9902	Wire Jumper, 0.58MM.	3198	036	90010					
9903	Wire Jumper, 0.58MM.	3198	036	90010					
9904	Wire Jumper, 0.58MM.	3198	036	90010					
9905	Wire Jumper, 0.58MM.	3198	036	90010					
9911	Wire Jumper, 0.58MM.	3198	036	90010					
9912	Wire Jumper, 0.58MM.	3198	036	90010					
9913	Wire Jumper, 0.58MM.	3198	036	90010					
9914	Wire Jumper, 0.58MM.	3198	036	90010					
9915	Wire Jumper, 0.58MM.	3198	036	90010					
9916	Wire Jumper, 0.58MM.	3198	036	90010					
9918	Wire Jumper, 0.58MM.	3198	036	90010					
9919	Wire Jumper, 0.58MM.	3198	036	90010					
9920	Wire Jumper, 0.58MM.	3198	036	90010					
9921	Wire Jumper, 0.58MM.	3198	036	90010					
9922	Wire Jumper, 0.58MM.	3198	036	90010					
9991	Wire Jumper, 0.58MM.	3198	036	90010					
9994	Wire Jumper, 0.58MM.	3198	036	90010					
9996	Wire Jumper, 0.58MM.	3198	036	90010					
9998	Wire Jumper, 0.58MM.	3198	036	90010					
CBA	Main Chassis Assembly.	3139	177	27961					

CRT Panel Parts (Part of Main Chassis)

	CRT Panel Parts (Part of Main Chassis)								
0244	Connector, 5 Pin	2422	025	04853					
0245	Connector, 6 Pin	2422	025	04854					
S 0254	CRT Socket, 9 Pin.	2422	500	80076					
2330	Cap, 100n, 10%, 250v, Metallized Poly ester.	2222	368	90177					
2340	Cap, 10u, 20%, 250v, Electrolytic. . . .	2020	012	93495					
2341	Cap, 3n3, 10%, 500v, Ceramic	3198	019	43320					
2342	Cap, 560p, 5%, 50v, Ceramic.	3198	016	05610					
2343	Cap, 3n3, 10%, 2000v, Ceramic.	2020	558	90529					
2344	Cap, 100n, +80/-20%, 25v, Ceramic. . .	3198	023	21040					
2345	Cap, 1n, 10%, 500v, Ceramic.	3198	019	41020					
3331	Res, 100 ohm, 5%, 1/6W, Carbon Film.	3198	011	01010					
3332	Res, 1K, 20%, 1/2W, Carbon Film. . . .	3198	013	01020					
3333	Res, 100 ohm, 5%, 1/6W, Carbon Film.	3198	011	01010					
3334	Res, 1K, 20%, 1/2W, Carbon Film. . . .	3198	013	01020					
3335	Res, 100 ohm, 5%, 1/6W, Carbon Film.	3198	011	01010					
3336	Res, 1K, 20%, 1/2W, Carbon Film. . . .	3198	013	01020					
S 3340	Res, 10 ohm, 5%, 1/2W, Metal Film. . . .	2306	207	03109					
S 3341	Res, 1 ohm, 5%, 1/3W, Metal Film	2306	204	03108					
S 3342	Res, 1 ohm, 5%, 1/3W, Metal Film	2306	204	03108					
3343	Res, 1K5, 20%, 1/2W, Carbon Film	3198	013	01520					
3344	Res, 22 ohm, 5%, 1/6W, Carbon Film . . .	3198	011	02290					
3345	VDR DC 1MA/ 50V S MAX 115V A	2322	593	13507					
3346	Res, 22 ohm, 5%, 1/6W, Carbon Film . . .	3198	011	02290					
3347	Res, Zero ohm, Chip Jumper	3198	021	90020					
3350	Res, Zero ohm, Chip Jumper	3198	021	90020					
3353	Res, Zero ohm, Chip Jumper	3198	021	90020					
5342	Coil, 22u.	2422	535	97333					
6331	Diode, Signal, BAV21	3198	010	10070					
6332	Diode, Signal, BAS316.	3198	010	10630					
6333	Diode, Signal, BAV21	3198	010	10070					
6335	Diode, Signal, BAV21	3198	010	10070					
7330	IC, TDA6107Q/N2.	9352	576	50112					
9311	Wire Jumper, 0.58MM.	3198	036	90010					
9341	Wire Jumper, 0.58MM.	3198	036	90010					
9342	Wire Jumper, 0.58MM.	3198	036	90010					
9343	Wire Jumper, 0.58MM.	3198	036	90010					

Side AV+HP Panel Parts - 313912723881

	Side AV+HP Panel Parts - 313912723881								
CBA	Side AV+HP Panel Assembly.	3139	127	23881					
0232	1 Pin Headphone Socket	2422	026	04747					
0250	3 Pin Cinch Socket	2422	026	04815					
0251	6 Pin Connector.	2422	025	12482					

S = Safety Part Be sure to use exact replacement part.

27HT3000 - Manual no. 7629

Cabinet & Accessory Parts

Cabinet & Accessory Parts			
S AC01	AC Cord	3135	010 03831
AC03	Battery, 1.5V, 2-PACK	9299	000 65263
AC04	Cabinet Back Assembly	3121	237 52451
AC09	Clip, Anode Lead	3135	014 04471
S AC10	CRT, A68AJB2X11	9301	891 90631
AC11	Customer Control Buttons	3139	137 83131
S AC12	Degaussing Coil	2422	549 43967
AC13	Holder, Degaussing Coil (4 Used)	3135	013 11641
AC16	Owner's Manual	3121	235 20101
AC16b	Quick Use Guide	3121	233 40901
REMOTE	Remote Transmitter, RC19036001/01	3139	228 86491
AC20	Cabinet Front Assembly f/27PS55S321	3121	237 51791
AC20a	Cabinet Front	3139	137 83171
AC20b	Chassis Guide	3139	124 31381
AC20d	Light Guide	3139	124 35111
AC20f	Power Button	3139	137 83141
AC20j	Speaker, Full Range, 16ohm, 5W (2 Use d)	2422	264 00411
S AC21	Deflection Yoke	3313	203 01242

Main Chassis Assembly Parts

Main Chassis Assembly Parts			
0127	Socket Fuse	2422	088 00271
S 0211	Connector, 2 Pin	2422	025 16269
S 0212	Connector, 2 Pin	2422	025 16375
0219	Connector, 6 Pin	2422	025 12482
0220	Connector, 5 Pin	2422	025 04853
S 0221	Connector, 4 Pin	2422	025 15503
S 0222	Connector, 2 Pin	2422	025 10646
0223	Socket, Cinch, 9 Pin	2422	026 05236
0225	Socket, MDIN, 10 Pin	2422	026 04926
0243	Connector, 6 Pin	2422	025 04854
0246	Connector, 5 Pin	2422	025 12481
0267	Connector, 3 Pin	2412	020 00725
0269	Socket, Cinch, 3 Pin	2422	026 05182
1000	Tuner, V+U PLL	2422	542 90098
1002	SAW Filter, 45MHZ75, OFWMI1971M L	2422	549 44518
1200	Filter, Ceramic, 4MHZ5	2422	549 04807
S 1500	Fuse, 4A, 250V, IEC	2422	086 10914
S 1515	Relay, 1P, 12V	2422	132 07444
1600	Tact Switch	2422	128 02742
1601	Tact Switch	2422	128 02742
1602	Tact Switch	2422	128 02742
1603	Tact Switch	2422	128 02742
1606	Tact Switch	2422	128 02742
1660	Crystal Resonator, 12 MHz, 20P, HC49/ U A	2422	543 01203
1831	Crystal Resonator, 18MHZ432 12P HC49 /U A	2422	543 00842
2004	Cap, 47n, 10%, 16v, Ceramic	3198	017 34730
2005	Cap, 10u, 20%, 50v, Electrolytic	3198	025 51090
2006	Cap, 470u, 20%, 16v, Electrolytic	3198	025 24710
2007	Cap, 100n, +80/-20%, 25v, Ceramic	3198	023 41040
2008	Cap, 100u, 20%, 25v, Electrolytic	3198	025 31010
2009	Cap, 22n, 10%, 25v, Ceramic	3198	017 32230
2101	Cap, 470n, +80/-20%, 16v, Ceramic	3198	017 24740
2102	Cap, 22p, 5%, 50v, Ceramic	3198	016 32290
2103	Cap, 330p, 5%, 50v, Ceramic	3198	016 33310
2104	Cap, 330p, 5%, 50v, Ceramic	3198	016 33310
2105	Cap, 10u, 20%, 50v, Electrolytic	3198	025 51090
2106	Cap, 10u, 20%, 50v, Electrolytic	3198	025 51090
2111	Cap, 22p, 5%, 50v, Ceramic	3198	016 32290
2112	Cap, 22p, 5%, 50v, Ceramic	3198	016 32290
2113	Cap, 22p, 5%, 50v, Ceramic	3198	016 32290
2121	Cap, 22p, 5%, 50v, Ceramic	3198	016 32290
2122	Cap, 330p, 5%, 50v, Ceramic	3198	016 33310
2123	Cap, 2u2, +80/-20%, 10v, Ceramic	3198	017 22250
2124	Cap, 330p, 5%, 50v, Ceramic	3198	016 33310
2125	Cap, 2u2, +80/-20%, 10v, Ceramic	3198	017 22250
2131	Cap, 330p, 5%, 50v, Ceramic	3198	016 33310
2132	Cap, 2u2, +80/-20%, 10v, Ceramic	3198	017 22250
2133	Cap, 330p, 5%, 50v, Ceramic	3198	016 33310
2134	Cap, 2u2, +80/-20%, 10v, Ceramic	3198	017 22250
2135	Cap, 22p, 5%, 50v, Ceramic	3198	016 32290
2136	Cap, 22p, 5%, 50v, Ceramic	3198	016 32290
2141	Cap, 330p, 5%, 50v, Ceramic	3198	016 33310
2143	Cap, 100n, +80/-20%, 25v, Ceramic	3198	023 41040
2150	Cap, 150n, 10%, 16v, Ceramic	2238	780 15652
2181	Cap, 22p, 5%, 50v, Ceramic	3198	016 32290
2184	Cap, 2u2, +80/-20%, 10v, Ceramic	3198	017 22250
2201	Cap, 100n, +80/-20%, 25v, Ceramic	3198	023 21040
2202	Cap, 100n, +80/-20%, 25v, Ceramic	3198	023 21040
2203	Cap, 100n, +80/-20%, 25v, Ceramic	3198	023 41040
2204	Cap, 100n, +80/-20%, 25v, Ceramic	3198	023 41040
2205	Cap, 220n, +80/-20%, 25v, Ceramic	3198	023 22240
2208	Cap, 100n, +80/-20%, 25v, Ceramic	3198	023 41040
2209	Cap, 4u7, 20%, 50v, Electrolytic	3198	025 54780
2210	Cap, 1u, +80/-20%, 16v, Ceramic	3198	017 21050
2211	Cap, 470n, +80/-20%, 10v, Ceramic	3198	017 44740
2213	Cap, 22n, 10%, 50v, Ceramic	3198	017 02230

2214	Cap, 22n, 10%, 50v, Ceramic	3198	017 02230
2215	Cap, 22n, 10%, 50v, Ceramic	3198	017 02230
2216	Cap, 1000u, 20%, 16v, Electrolytic	3198	026 21020
2217	Cap, 22n, 10%, 25v, Ceramic	3198	017 32230
2219	Cap, 220n, +80/-20%, 25v, Ceramic	3198	023 22240
2220	Cap, 470n, 10%, 50v, Polyester	3198	014 04740
2221	Cap, 22n, 10%, 50v, Ceramic	3198	017 02230
2241	Cap, 1n5, 10%, 50v, Ceramic	3198	017 31520
2242	Cap, 1u, +80/-20%, 10v, Ceramic	3198	017 41050
2243	Cap, 2n2, 10%, 50v, Ceramic	3198	017 02220
2244	Cap, 100n, 5%, 63v, Metallized Polye ster	2222	370 76104
2245	Cap, 220n, +80/-20%, 16v, Ceramic	3198	023 22240
2247	Cap, 1000u, 20%, 16v, Electrolytic	3198	026 21020
2248	Cap, 22n, 10%, 50v, Ceramic	3198	017 02230
2249	Cap, 22n, 10%, 25v, Ceramic	3198	017 32230
2250	Cap, 2u2, 20%, 50v, Electrolytic	3198	025 52280
2252	Cap, 1n, 5%, 25v, Ceramic	3198	016 31020
2253	Cap, 1n, 5%, 25v, Ceramic	3198	016 31020
2254	Res, Zero ohm, Chip Jumper	3198	021 90020
2405	Cap, 220u, 20%, 25v, Electrolytic	3198	025 32210
2441	Cap, 1u, 20%, 50v, Electrolytic	3198	025 51080
2443	Cap, 47n, +80/-20%, 50v, Ceramic	3198	017 24730
2444	Cap, 1u, 20%, 50v, Electrolytic	3198	025 51080
2450	Cap, 47u, 20%, 160v, Electrolytic	2020	021 91139
2451	Cap, 15n, 10%, 50v, Polyester	3198	014 01530
2452	Cap, 180p, 5%, 50v, Ceramic	3198	016 01810
2455	Cap, 47u, 20%, 25v, Electrolytic	3198	025 34790
2457	Cap, 470n, 5%, 250v, Polypropylene	2222	479 90023
2458	Cap, 2u2, 20%, 100v, Electrolytic	2020	021 91331
2459	Cap, 680p, 10%, 500v, Ceramic	3198	019 46810
2460	Cap, 100p, 5%, 50v, Ceramic	3198	016 01010
2462	Cap, 330n, 10%, 250v, Polypropylene	2022	333 00084
2463	Cap, 680p, 10%, 2kV, Ceramic	2020	558 90485
2463	Cap, 1.2nF, 10%, 2kV, Ceramic	2020	558 90488
2465	Cap, 11n, 5%, 1600v, Polypropylene	2222	375 90155
2471	Cap, 100n, 10%, 50v, Polyester	3198	014 01040
2472	Cap, 150n, 10%, 63v, Metallized Polye ster	2222	365 75154
2473	Cap, 100n, 10%, 63v, Metallized Polye ster	2222	365 75104
2474	Cap, 2n2, 10%, 50v, Ceramic	3198	017 02220
2475	Cap, 2n2, 10%, 50v, Ceramic	3198	017 02220
2476	Cap, 4n7, 10%, 50v, Ceramic	3198	017 04720
2480	Cap, 47u, 20%, 25v, Electrolytic	2020	021 90586
2481	Cap, 470p, 10%, 500v, Ceramic	3198	019 44710
2482	Cap, 68n, 10%, 250v, Polyester	2222	347 90234
2485	Cap, 4u7, 20%, 250v, Electrolytic	2020	021 90856
2486	Cap, 470u, 20%, 16v, Electrolytic	2020	021 91577
2487	Cap, 47u, 20%, 50v, Electrolytic	2020	021 90854
2488	Cap, 1000u, 20%, 16v, Electrolytic	2020	021 91049
2489	Cap, 470u, 20%, 16v, Electrolytic	2020	021 91577
2491	Cap, 1n, 10%, 500v, Ceramic	3198	019 41020
S 2500	Cap, 470n, 20%, 275v, Metallized Poly propylene	2222	336 29148
2501	Cap, 2n2, 10%, 1000v, Ceramic	3198	019 52220
2502	Cap, 2n2, 10%, 1000v, Ceramic	3198	019 52220
2503	Cap, 470u, 20%, 200v, Electrolytic	2020	024 90626
2505	Cap, 2n2, 10%, 1000v, Ceramic	3198	019 52220
2507	Cap, 470p, 10%, 50v, Ceramic	3198	017 04710
2508	Cap, 470p, 10%, 1000v, Ceramic	3198	019 64710
S 2515	Cap, 1n5, 20%, v, Ceramic	2020	554 90128
2520	Cap, 100n, 10%, 16v, Ceramic	3198	017 01040
2521	Cap, 22u, 20%, 50v, Electrolytic	3198	025 52290
2522	Cap, 100n, 10%, 16v, Ceramic	3198	017 01040
2523	Cap, 1n5, 10%, 2000v, Ceramic	2020	558 90489
2525	Cap, 470p, 10%, 50v, Ceramic	3198	017 04710
2527	Cap, 2n2, 10%, 50v, Ceramic	3198	017 02220
2528	Cap, 1n, 10%, 50v, Ceramic	3198	017 01020
2540	Cap, 10n, 10%, 50v, Ceramic	3198	017 01030
2541	Cap, 10n, 10%, 50v, Ceramic	3198	017 01030
2560	Cap, 680p, 10%, 1000v, Ceramic	2020	558 90472
2561	Cap, 100u, 20%, 160v, Electrolytic	2020	021 91654
2562	Cap, 1n, 10%, 50v, Ceramic	3198	019 11020
2563	Cap, 100n, 10%, 50v, Polyester	3198	014 01040
2564	Cap, 2u2, 20%, 25v, Electrolytic	2020	021 91353
2566	Cap, 470u, 20%, 6.3v, Electrolytic	3198	025 04710
2567	Cap, 47u, 20%, 25v, Electrolytic	3198	025 34790
2568	Cap, 1u, 20%, 50v, Electrolytic	3198	025 51080
2580	Cap, 47u, 20%, 16v, Electrolytic	3198	028 24790
2581	Cap, 22u, 20%, 50v, Electrolytic	3198	025 52290
2601	Cap, 220n, +80/-20%, 25v, Ceramic	3198	023 22240
2602	Cap, 100p, 5%, 50v, Ceramic	3198	016 01010
2606	Cap, 1n, 10%, 50v, Ceramic	3198	017 01020
2607	Cap, 33p, 5%, 50v, Ceramic	3198	016 33390
2608	Cap, 1u, +80/-20%, 10v, Ceramic	3198	017 41050
2609	Cap, 33p, 5%, 50v, Ceramic	3198	016 33390
2611	Cap, 1u, +80/-20%, 10v, Ceramic	3198	017 41050
2612	Cap, 68p, 5%, 50v, Ceramic	3198	016 06890
2613	Cap, 68p, 5%, 50v, Ceramic	3198	016 06890
2615	Cap, 1n, 10%, 50v, Ceramic	3198	017 01020
2618	Cap, 1u, +80/-20%, 10v, Ceramic	3198	017 41050

S = Safety Part Be sure to use exact replacement part.

27HT3000 (continued)

2619	Cap, 1u, +80/-20%, 16v, Ceramic . . .	3198 017 21050	3209	Res, 68 ohm, 5%, 1/16W, Metallized Gl	
2691	Cap, 10u, 20%, 50v, Electrolytic . . .	3198 025 51090		ass.	3198 021 36890
2801	Cap, 22u, 20%, 50v, Electrolytic . . .	3198 025 52290	3212	Res, 470 ohm, 5%, 1/16W, Metallized G	
2802	Cap, 220n, +80/-20%, 16v, Ceramic . . .	3198 017 42240		lass	3198 021 34710
2804	Cap, 2u2, +80/-20%, 10v, Ceramic . . .	3198 017 22250	3213	Res, 560 ohm, 5%, 1/6W, Carbon Film.	3198 011 05610
2805	Res, Zero ohm, Chip Jumper	3198 021 90020	3217	Res, 330K, 5%, 1/16W, Metallized Glass	3198 021 33340
2806	Res, Zero ohm, 'Chip' Jumper	3198 021 90030	3218	Res, 82K, 5%, 1/16W, Metallized Glass	3198 021 38230
2831	Cap, 1p, 25%, 50v, Ceramic	3198 016 31080	3219	Res, 2K2, 5%, 1/16W, Metallized Glass	3198 021 32220
2832	Cap, 1p, 25%, 50v, Ceramic	3198 016 31080	3220	Res, 100 ohm, 5%, 1/6W, Carbon Film.	3198 011 01010
2833	Cap, 47p, 5%, 50v, Ceramic	3198 016 34790	3221	Res, 560 ohm, 5%, 1/6W, Carbon Film.	3198 011 05610
2834	Cap, 470p, 5%, 50v, Ceramic	3198 016 34710	3222	Res, 100 ohm, 5%, 1/6W, Carbon Film.	3198 011 01010
2835	Cap, 220p, 5%, 50v, Ceramic	3198 016 32210	3226	Res, 560 ohm, 5%, 1/16W, Metallized G	
2836	Cap, 1n5, 10%, 50v, Ceramic	3198 017 31520		lass	3198 021 35610
2837	Cap, 4u7, 20%, 50v, Electrolytic	3198 025 54780	3235	Res, 100 ohm, 5%, 1/6W, Carbon Film.	3198 011 01010
2840	Cap, 100n, +80/-20%, 25v, Ceramic	3198 023 41040	3241	Res, 22k, 5%, Carbon	3198 021 52230
2841	Cap, 10u, 20%, 50v, Electrolytic	3198 025 51090	3242	Res, 12K, 5%, 1/10W, Metallized Glass	3198 021 51230
2842	Cap, 100n, +80/-20%, 25v, Ceramic	3198 023 41040	3244	Res, 820 ohm, 5%, 1/6W, Carbon Film.	3198 011 08210
2843	Cap, 10u, 20%, 50v, Electrolytic	3198 025 51090	3245	Res, 39K, 1%, 1/10W, Metallized Glass	2120 108 92633
2844	Cap, 10u, 20%, 50v, Electrolytic	3198 025 51090	3246	Res, 10k, 5%, Carbon	3198 021 51030
2845	Cap, 100n, +80/-20%, 25v, Ceramic	3198 023 41040	3247	Res, 680K, 5%, 1/10W, Metallized Glas	3198 021 56840
2846	Cap, 100u, 20%, 25v, Electrolytic	3198 025 51010	3248	Res, 33K, 5%, 1/10W, Metallized Glass	3198 021 53330
2849	Cap, 1n, 5%, 25v, Ceramic	3198 016 31020	3249	Res, 820 ohm, 5%, 1/6W, Carbon Film.	3198 011 08210
2850	Cap, 1n, 5%, 25v, Ceramic	3198 016 31020	3250	Res, 8K2, 5%, 1/6W, Carbon Film.	3198 011 08220
2851	Res, Zero ohm, Chip Jumper	3198 021 90020	3251	Res, 100 ohm, 5%, 1/6W, Carbon Film.	3198 011 01010
2852	Cap, 1n, 5%, 25v, Ceramic	3198 016 31020	3256	Res, 1k, 5%, Carbon.	3198 021 51020
2853	Res, Zero ohm, Chip Jumper	3198 021 90020	3257	Res, 10M, 5%, 1/10W, Metallized Glass	3198 021 51060
2854	Cap, 1n, 5%, 25v, Ceramic	3198 016 31020	3258	Res, 100K, 5%, 1/10W, Metallized Glas	3198 021 51040
2855	Cap, 33p, 5%, 50v, Ceramic	3198 016 33390	3259	Res, 470K, 5%, 1/10W, Metallized Glas	3198 021 54740
2856	Cap, 47p, 5%, 50v, Ceramic	3198 016 34790	3441	Res, 100 ohm, 5%, 1/10W, Metallized G	
2857	Cap, 150p, 5%, 50v, Ceramic	3198 016 31510		lass	3198 021 51010
2860	Cap, 180p, 5%, 50v, Ceramic	3198 016 31810	3442	Res, Zero ohm, Chip Jumper	3198 021 90020
2894	Cap, 220p, 5%, 50v, Ceramic	3198 016 32210	3443	Res, 1M, 5%, 1/10W, Metallized Glass	3198 021 51050
2895	Cap, 560p, 5%, 25v, Ceramic	3198 016 35610	3445	Res, 15K, 5%, 1/6W, Carbon Film.	3198 011 01530
2897	Cap, 390p, 5%, 50v, Ceramic	3198 016 33910	3446	Res, 5K6, 5%, 1/6W, Carbon Film.	3198 011 05620
2898	Cap, 10n, 10%, 50v, Ceramic	3198 017 31030	3447	Res, 180 ohm, 5%, 1/6W, Carbon Film.	3198 011 01810
2902	Cap, 1000u, 20%, 16v, Electrolytic	3198 026 21020	3448	Res, 820 ohm, 5%, 1/6W, Carbon Film.	3198 011 08210
2903	Cap, 1u, 20%, 50v, Electrolytic	3198 025 51080	3449	Res, 68 ohm, 5%, 1/6W, Carbon Film	3198 011 06890
2904	Cap, 470n, +80/-20%, 16v, Ceramic	3198 017 24740	3450	Res, 33 ohm, 5%, 1/6W, Carbon Film	3198 011 03390
2905	Cap, 1n, 10%, 50v, Ceramic	3198 017 31020	S 3451	Res, 10 ohm, 5%, 1/3W, Metal Film.	2306 204 03109
2906	Cap, 470n, +80/-20%, 16v, Ceramic	3198 017 24740	3452	Res, 10K, 1%, 3/5W, Metal Film	2312 915 11003
2907	Cap, 1n, 10%, 50v, Ceramic	3198 017 31020	3453	Res, 1K, 5%, 1/6W, Carbon Film	3198 011 01020
2908	Cap, 10u, 20%, 50v, Electrolytic	3198 025 51090	3454	Res, 3K9, 1%, 3/5W, Metal Film	2312 915 13902
2910	Cap, 3n3, 10%, 50v, Ceramic	3198 017 33320	3455	Res, 6R8, 5%, 1/3W, Metal Film	3198 012 26880
2911	Cap, 3n3, 10%, 50v, Ceramic	3198 017 33320	3456	Res, Zero ohm, Chip Jumper	3198 021 90020
2950	Cap, 330p, 5%, 50v, Ceramic	3198 016 33310	3457	Res, Zero ohm, Chip Jumper	3198 021 90020
3000	Res, 100 ohm, 5%, 1/6W, Carbon Film.	3198 011 01010	3458	Res, 1K, 5%, 1/6W, Carbon Film	3198 011 01020
3001	Res, 100 ohm, 5%, 1/6W, Carbon Film.	3198 011 01010	3459	Res, 15K, 5%, 1/3W, Metal Film	3198 012 21530
3002	Res, Zero ohm, 'Chip' Jumper	3198 021 90030	3460	Res, 3K9, 5%, 1/6W, Carbon Film.	3198 011 03920
3003	Res, 1K5, 5%, 1/16W, Metallized Glass	3198 021 31520	3463	Res, 33 ohm, 5%, 1/6W, Carbon Film	3198 011 03390
3004	Res, 8K2, 5%, 1/16W, Metallized Glass	3198 021 38220	3465	Res, 27K, 1%, 3/5W, Metal Film	2312 915 12703
3005	Res, 100 ohm, 5%, 1/6W, Carbon Film.	3198 011 01010	3468	Res, 220 ohm, 5%, 1/6W, Carbon Film.	3198 011 02210
3101	Res, 68 ohm, 5%, 1/6W, Carbon Film	3198 011 06890	3469	Res, 3K3, 5%, 1/6W, Carbon Film.	3198 011 03320
3102	Res, 1k, 5%, Carbon.	3198 021 51020	3470	Res, 330K, 5%, 1/10W, Metallized Glas	3198 021 53340
3103	Res, 150 ohm, 5%, 1/6W, Carbon Film.	3198 011 01510	3471	Res, 3R3, 1%, 3/5W, Metal Film	2312 915 13308
3104	Res, 220K, 5%, 1/16W, Metallized Glas	3198 021 32240	3472	Res, 3R3, 1%, 3/5W, Metal Film	2312 915 13308
3105	Res, 150 ohm, 5%, 1/6W, Carbon Film.	3198 011 01510	3473	Res, 3R3, 1%, 3/5W, Metal Film	2312 915 13308
3106	Res, 220K, 5%, 1/16W, Metallized Glas	3198 021 32240	3474	Res, 2K2, 1%, 3/5W, Metal Film	2312 915 12202
3111	Res, 75 ohm, 5%, 1/6W, Carbon Film	3198 011 07590	3475	Res, 2K2, 1%, 3/5W, Metal Film	2312 915 12202
3112	Res, 100 ohm, 5%, 1/6W, Carbon Film.	3198 011 01010	3477	Res, 150 ohm, 5%, 1/6W, Carbon Film.	3198 011 01510
3113	Res, 75 ohm, 5%, 1/6W, Carbon Film	3198 011 07590	3478	Res, 150 ohm, 5%, 1/6W, Carbon Film.	3198 011 01510
3114	Res, 100 ohm, 5%, 1/6W, Carbon Film.	3198 011 01010	3479	Res, 2K7, 5%, 1/10W, Metallized Glass	3198 021 52720
3115	Res, 75 ohm, 5%, 1/6W, Carbon Film	3198 011 07590	3480	Res, 1R5, 5%, 1/4W, Carbon Film.	2120 101 74158
3116	Res, 100 ohm, 5%, 1/6W, Carbon Film.	3198 011 01010	3481	Res, 12k, 1%, Metal Film	2312 915 11203
3122	Wire Jumper, 0.58MM.	3198 036 90010	3482	Res, 12k, 1%, Metal Film	2312 915 11203
3123	Res, 150 ohm, 5%, 1/6W, Carbon Film.	3198 011 01510	3484	Res, 3K9, 5%, 1/6W, Carbon Film.	3198 011 03920
3124	Res, 47K, 5%, 1/16W, Metallized Glass	3198 021 34730	3486	Res, 33 ohm, 5%, 2 1/2W, Metal Film.	3198 012 33390
3125	Res, 150 ohm, 5%, 1/6W, Carbon Film.	3198 011 01510	3488	Res, 4R7, 5%, 1/2W, Metal Film	2306 207 03478
3126	Res, 47K, 5%, 1/16W, Metallized Glass	3198 021 34730	3490	Res, 8K2, 5%, 1/6W, Carbon Film.	3198 011 08220
3131	Res, 150 ohm, 5%, 1/6W, Carbon Film.	3198 011 01510	3492	Res, 1k, 5%, Carbon.	3198 021 51020
3132	Res, 47K, 5%, 1/16W, Metallized Glass	3198 021 34730	3493	Res, 6R8, 5%, 1/3W, Metal Film	2306 204 03688
3133	Res, 150 ohm, 5%, 1/6W, Carbon Film.	3198 011 01510	3494	Res, 4R7, 5%, 1/2W, Metal Film	2306 207 03478
3134	Res, 47K, 5%, 1/16W, Metallized Glass	3198 021 34730	3495	Res, 22k, 5%, Carbon	3198 021 52230
3135	Res, 75 ohm, 5%, 1/6W, Carbon Film	3198 011 07590	3496	Res, 100K, 5%, 1/10W, Metallized Glas	3198 021 51040
3136	Res, 100 ohm, 5%, 1/6W, Carbon Film.	3198 011 01010	3497	Res, 100K, 5%, 1/10W, Metallized Glas	3198 021 51040
3138	Wire Jumper, 0.58MM.	3198 036 90010	3498	Res, 12K, 5%, 1/10W, Metallized Glass	3198 021 51230
3141	Res, 1K, 5%, 1/6W, Carbon Film	3198 011 01020	3499	Res, 10k, 5%, Carbon	3198 021 51030
3149	Res, 100K, 5%, 1/16W, Metallized Glas	3198 021 31040	S 3500	Res, 3M3, 5%, 1/2W, Metallized Glass	2322 242 13335
3150	Res, 150K, 5%, 1/16W, Metallized Glas	3198 021 31540	S 3501	Res, 3M3, 5%, 1/2W, Metallized Glass	2322 242 13335
3154	Res, 5K6, 5%, 1/6W, Carbon Film.	3198 011 05620	3504	Res, 3 ohm, +30%/-20%, 144v, PTC, Car	
3156	Res, 10K, 5%, 1/6W, Carbon Film.	3198 011 01030		bon Film	2122 663 00019
3157	Res, 1K5, 5%, 1/16W, Metallized Glass	3198 021 31520	S 3506	Res, 1M5, 5%, 1/2W, Metallized Glass	2322 242 13155
3158	Res, 10K, 5%, 1/16W, Metallized Glass	3198 021 31030	S 3507	Surge Protector, DSP-301N-A21F A.	2422 549 43073
3159	Res, 1K2, 1%, 1/10W, Metallized Glass	2120 108 92616	S 3508	Res, 220 ohm, 20%, 1/2W, Carbon Film	3198 013 02210
3200	Res, 390 ohm, 5%, 1/6W, Carbon Film.	3198 011 03910	3510	Res, 4.7 ohm, 20%, 3W1, NTC, Carbon F	
3201	Res, 100 ohm, 5%, 1/6W, Carbon Film.	3198 011 01010		ilm.	2122 612 00056
3202	Res, 100 ohm, 5%, 1/6W, Carbon Film.	3198 011 01010	3519	Res, 270 ohm, 5%, 1/6W, Carbon Film.	3198 011 02710
3203	Res, 100 ohm, 5%, 1/6W, Carbon Film.	3198 011 01010	3520	Res, 1K2, 5%, 1/10W, Metallized Glass	3198 021 51220
3204	Res, 22K, 5%, 1/6W, Carbon Film.	3198 011 02230	3521	Res, 4R7, 5%, 1/6W, Carbon Film.	3198 011 04780
3205	Res, 1k, 5%, Carbon.	3198 021 51020	3522	Res, 330K, 5%, 1/10W, Metallized Glas	3198 021 53340
3206	Res, 33K, 5%, 1/16W, Metallized Glass	3198 021 33330	S 3523	Res, 100 ohm, 5%, 1/3W, Metal Film	2306 204 03101
3207	Res, 1K, 5%, 1/6W, Carbon Film	3198 011 01020	3524	Res, 56K, 5%, 1/10W, Metallized Glass	3198 021 55630
3208	Res, 220 ohm, 5%, 1/16W, Metallized G		3525	Res, 1k, 5%, Carbon.	3198 021 51020
	lass	3198 021 32210			

S = Safety Part Be sure to use exact replacement part.

27HT3000 (continued)

3526	Res, 0R1, 5%, 3/5W, Metal Film . . .	3198 012 11070	3905	Res, 3K3, 5%, 1/16W, Metallized Glass	3198 021 33320
3527	Res, 0R33, 5%, 3/5W, Metal Film. . .	3198 012 13370	3906	Res, 10K, 5%, 1/16W, Metallized Glass	3198 021 31030
3528	Res, Zero ohm, Chip Jumper	3198 021 90020	3907	Res, 8K2, 5%, 1/16W, Metallized Glass	3198 021 38220
3529	Res, 47K, 5%, 1/10W, Metallized Glass	3198 021 54730	4001	Res, Zero ohm, 'Chip' Jumper	3198 021 90030
3530	Res, 10k, 5%, Carbon	3198 021 51030	4002	Res, Zero ohm, 'Chip' Jumper	3198 021 90030
3531	Res, 4K7, 5%, 1/10W, Metallized Glass	3198 021 54720	4181	Res, Zero ohm, 'Chip' Jumper	3198 021 90030
S 3532	Res, 2K2, 5%, 1/3W, Metal Film	2306 204 03222	4209	Res, Zero ohm, 'Chip' Jumper	3198 021 90030
3541	Res, 470 ohm, 5%, 1/10W, Metallized G lass	3198 021 54710	4216	Res, Zero ohm, 'Chip' Jumper	3198 021 90030
3542	Res, 1K5, 5%, 1/10W, Metallized Glass	3198 021 51520	4217	Res, Zero ohm, 'Chip' Jumper	3198 021 90030
3543	Res, 82K, 1%, 3/5W, Metal Film	2312 915 18203	4401	Res, Zero ohm, Chip Jumper	3198 021 90020
3544	Res, 4K7, 1%, 1/8W, Metallized Glass	2322 734 64702	4402	Res, Zero ohm, Chip Jumper	3198 021 90020
3545	Res, 270K, 5%, 1/8W, Metallized Glass	2322 730 61274	4430	Res, Zero ohm, Chip Jumper	3198 021 90020
3548	Res, 15K, 5%, 1/10W, Metallized Glass	3198 021 51530	4500	Res, Zero ohm, Chip Jumper	3198 021 90020
3552	Res, 4K7, 5%, 1/10W, Metallized Glass	3198 021 54720	4601	Res, Zero ohm, Chip Jumper	3198 021 90020
3557	Res, 1k, 5%, Carbon	3198 021 51020	4613	Res, Zero ohm, Chip Jumper	3198 021 90020
3560	Res, 47 ohm, 5%, 1/6W, Carbon Film . .	3198 011 04790	4614	Res, Zero ohm, Chip Jumper	3198 021 90020
3561	Res, 100 ohm, 5%, 1/6W, Carbon Film.	3198 011 01010	4615	Res, Zero ohm, 'Chip' Jumper	3198 021 90030
3562	Res, 12K, 5%, 1/10W, Metallized Glass	3198 021 51230	4617	Res, Zero ohm, Chip Jumper	3198 021 90020
3563	Res, 5K6, 5%, 1/10W, Metallized Glass	3198 021 55620	4619	Res, Zero ohm, Chip Jumper	3198 021 90020
3564	Res, 0R1, 5%, 1/3W, Metal Film	3198 012 21070	4622	Res, Zero ohm, Chip Jumper	3198 021 90020
3565	Res, 330 ohm, 5%, 1W, Metal Film . . .	3198 012 13310	4623	Res, Zero ohm, Chip Jumper	3198 021 90020
3566	Res, 2K2, 5%, 1/10W, Metallized Glass	3198 021 52220	4691	Res, Zero ohm, Chip Jumper	3198 021 90020
3567	Res, 1K8, 5%, 1/16W, Metallized Glass	3198 021 31820	4692	Res, Zero ohm, Chip Jumper	3198 021 90020
3568	Res, 8K2, 5%, 1/10W, Metallized Glass	3198 021 58220	4693	Res, Zero ohm, Chip Jumper	3198 021 90020
3569	Res, 5K6, 5%, 1/10W, Metallized Glass	3198 021 55620	4696	Res, Zero ohm, Chip Jumper	3198 021 90020
3580	Res, 47K, 5%, 1/10W, Metallized Glass	3198 021 54730	4801	Res, Zero ohm, 'Chip' Jumper	3198 021 90030
3594	Res, 330 ohm, 5%, 1/10W, Metallized G lass	3198 021 53310	4831	Res, Zero ohm, 'Chip' Jumper	3198 021 90030
3595	Res, 220K, 5%, 1/10W, Metallized Glas	3198 021 52240	4833	Res, Zero ohm, 'Chip' Jumper	3198 021 90030
3596	Res, 220K, 5%, 1/10W, Metallized Glas	3198 021 52240	4835	Res, Zero ohm, Chip Jumper	3198 021 90020
3601	Res, 8K2, 5%, 1/6W, Carbon Film. . . .	3198 011 08220	4901	Res, Zero ohm, 'Chip' Jumper	3198 021 90030
3603	Res, 100 ohm, 5%, 1/6W, Carbon Film.	3198 011 01010	4903	Res, Zero ohm, 'Chip' Jumper	3198 021 90030
3604	Res, 100 ohm, 5%, 1/6W, Carbon Film.	3198 011 01010	4982	Res, Zero ohm, Chip Jumper	3198 021 90020
3605	Res, 4K7, 5%, 1/10W, Metallized Glass	3198 021 54720	5001	Coil, 27u.	3198 018 22790
3606	Res, 2K2, 5%, 1/6W, Carbon Film. . . .	3198 011 02220	5002	Coil, 820n	3198 018 18270
3607	Res, 2K2, 5%, 1/6W, Carbon Film. . . .	3198 011 02220	5201	Coil, 6u8.	3198 018 16880
3608	Res, 100 ohm, 5%, 1/6W, Carbon Film.	3198 011 01010	5202	Coil, 10u.	3198 018 21090
3609	Res, 1K, 5%, 1/6W, Carbon Film	3198 011 01020	5204	Fixed, Inductor, 100MHZ, 80 ohm. . . .	3198 018 90020
3610	Res, 8K2, 5%, 1/6W, Carbon Film. . . .	3198 011 08220	5205	Fixed, Inductor, 100MHZ, 80 ohm. . . .	3198 018 90020
3611	Res, 100 ohm, 5%, 1/16W, Metallized G lass	3198 021 31010	5206	Wire Jumper, 0.58MM.	3198 036 90010
3618	Res, 6K8, 5%, 1/6W, Carbon Film. . . .	3198 011 06820	5241	Coil, 10u.	3198 018 21090
3622	Res, 100 ohm, 5%, 1/10W, Metallized G lass	3198 021 51010	5242	Coil, 10u.	3198 018 11090
3623	Res, 4K7, 5%, 1/16W, Metallized Glass	3198 021 34720	S 5445	Transformer, LOT SLOT, 1342.0043B Y.	2422 531 02506
3624	Res, 100 ohm, 5%, 1/6W, Carbon Film.	3198 011 01010	5451	Coil, 33u.	3198 018 73390
3625	Res, 100 ohm, 5%, 1/6W, Carbon Film.	3198 011 01010	5452	Fixed, Inductor, 100MHZ, 80 ohm. . . .	3198 018 90020
3626	Res, 4K7, 5%, 1/10W, Metallized Glass	3198 021 54720	5457	Coil, Linear Correction, 42u	2422 535 94865
3627	Res, 4K7, 5%, 1/10W, Metallized Glass	3198 021 54720	5461	Transformer, Signal Driver, SCI10015-0 0 B.	2422 531 02465
3628	Res, 10k, 5%, Carbon	3198 021 51030	5471	Coil, 3u3.	3198 018 73380
3630	Res, 2K2, 5%, 1/16W, Metallized Glass	3198 021 32220	5472	Coil, 3u3.	3198 018 23380
3632	Res, Zero ohm, Chip Jumper	3198 021 90020	5480	Fixed Inductor, 39u, 10%, LAL04. . . .	2422 535 97336
3634	Res, 100 ohm, 5%, 1/6W, Carbon Film.	3198 011 01010	S 5501	Filter, Mains, 5mH, 2A	2422 549 43432
3635	Res, 100 ohm, 5%, 1/6W, Carbon Film.	3198 011 01010	S 5520	Transformer, SMT Layer, SS39009-04 B	2422 531 02459
3636	Res, 100 ohm, 5%, 1/10W, Metallized G lass	3198 021 51010	5521	Fixed, Inductor, 100MHZ, 50R.	3198 018 90010
3638	Res, 75 ohm, 5%, 1/16W, Metallized Gl ass.	3198 021 37590	5560	Fixed, Inductor, 100MHZ, 50R.	3198 018 90010
3639	Res, Zero ohm, Chip Jumper	3198 021 90020	5561	Coil, 27u.	3198 018 22790
3681	Res, 390 ohm, 5%, 1/16W, Metallized G lass	3198 021 33910	5562	Fixed, Inductor, 100MHZ, 50R.	3198 018 90010
3682	Res, 3K3, 5%, 1/10W, Metallized Glass	3198 021 53320	5564	Fixed, Inductor, 100MHZ, 50R.	3198 018 90010
3683	Res, 390 ohm, 5%, 1/16W, Metallized G lass	3198 021 33910	5602	Coil, 5u6.	3198 018 15680
3684	Res, 560 ohm, 5%, 1/16W, Metallized G lass	3198 021 35610	5603	Coil, 5u6.	3198 018 15680
3685	Res, 560 ohm, 5%, 1/16W, Metallized G lass	3198 021 35610	5604	Coil, 5u6.	3198 018 15680
3686	Res, 1K5, 5%, 1/16W, Metallized Glass	3198 021 31520	5831	Coil, 6u8.	3198 018 16880
3691	Res, 330 ohm, 5%, 1/16W, Metallized G lass	3198 021 33310	5832	Coil, 6u8.	3198 018 16880
3693	Res, 220 ohm, 5%, Carbon	3198 021 52210	5833	Coil, 6u8.	3198 018 16880
3694	Res, 4K7, 5%, 1/10W, Metallized Glass	3198 021 54720	5835	Coil, 12u.	3198 018 31290
3801	Res, 220 ohm, 5%, 1/6W, Carbon Film.	3198 011 02210	6001	Zener Diode, 33 volt	3198 010 23390
3802	Res, 1K, 5%, 1/6W, Carbon Film	3198 011 01020	6006	Diode, Signal, 1N4148.	3198 010 10010
3809	Res, 75 ohm, 5%, 1/16W, Metallized Gl ass.	3198 021 37590	6007	Diode, Signal, 1N4148.	3198 010 10010
3810	Res, 75 ohm, 5%, 1/16W, Metallized Gl ass.	3198 021 37590	6150	Diode, Signal, BAS316.	3198 010 10630
3831	Res, 47K, 5%, 1/16W, Metallized Glass	3198 021 34730	6201	Diode, Signal, BAS316.	3198 010 10630
3832	Res, 100 ohm, 5%, 1/6W, Carbon Film.	3198 011 01010	6202	Diode, Signal, BAS316.	3198 010 10630
3833	Res, 100 ohm, 5%, 1/6W, Carbon Film.	3198 011 01010	6206	Zener Diode, 6.8 volt.	3198 020 56880
3836	Res, 1K, 5%, 1/16W, Metallized Glass	3198 021 31020	6445	Zener Diode, 10 volt	3198 020 51090
3837	Res, 100 ohm, 5%, 1/6W, Carbon Film.	3198 011 01010	6447	Diode, Signal, 1N4148.	3198 010 10010
3838	Res, 1K, 5%, 1/16W, Metallized Glass	3198 021 31020	6448	Zener Diode, 6.2 volt.	9331 668 30133
3839	Res, 100 ohm, 5%, 1/6W, Carbon Film.	3198 011 01010	6449	Diode, Signal, BAV99	3198 010 10620
3843	Res, 2K2, 5%, 1/16W, Metallized Glass	3198 021 32220	6453	Zener Diode, 6.8 volt.	3198 020 56880
3901	Res, 1K, 5%, 1/16W, Metallized Glass	3198 021 31020	6460	Diode, Rect, BY228/24.	9340 559 50112
3902	Res, 3K3, 5%, 1/16W, Metallized Glass	3198 021 33320	6461	Diode, Rect, RGP30J-L7004.	9338 617 60682
3903	Res, 3K3, 5%, 1/16W, Metallized Glass	3198 021 33320	6462	Zener Diode, 9.1 volt	9331 177 80133
3904	Res, 10K, 5%, 1/16W, Metallized Glass	3198 021 31030	6465	Diode, Signal, BAV21	3198 010 10070
			6466	Diode, Signal, BAV21	3198 010 10070
			6467	Diode, Signal, BAS316.	3198 010 10630
			6468	Diode, Signal, BAS316.	3198 010 10630
			6469	Diode, Rect, BYD33J	9337 234 20133
			6470	Diode, Signal, BAV99	3198 010 10620
			6476	Zener Diode, 15 volt	3198 010 21590
			6481	Zener Diode, 5.6 volt.	3198 010 25680
			6482	Zener Diode, 9.1 volt.	9331 177 80133
			6483	Zener Diode, 33 volt	3198 010 23390
			6485	Diode, Rect, BYD33J	9337 234 20133
			6486	Diode, Rect, EGP20DL-5100.	9322 164 42682
			6487	Diode, Rect, BYD33D	9337 234 00133

S = Safety Part Be sure to use exact replacement part.

27HT3000 (continued)

6488	Diode, Rect, EGP20DL-5100	9322	164	42682	9500	Wire Jumper, 0.58MM.	3198	036	90010
6500	Diode, Bridge Rect, GBU4JL-7002	9322	132	55667	9501	Wire Jumper, 0.58MM.	3198	036	90010
6520	Diode, Rect, BYD33D	9337	234	00133	9503	Wire Jumper, 0.58MM.	3198	036	90010
6523	Diode, Signal, 1N4148	3198	010	10010	S 9506	Wire Jumper, 0.58MM.	3198	036	90010
6524	Diode, Rect, 1N5062	3198	010	10120	S 9507	Wire Jumper, 0.58MM.	3198	036	90010
6525	Diode, Rect, 1N5062	3198	010	10120	9510	Wire Jumper, 0.58MM.	3198	036	90010
6526	Zener Diode, 22 volt	3198	020	52290	9512	Wire Jumper, 0.58MM.	3198	036	90010
6540	Zener Diode, 6.2 volt.	9331	668	30133	9513	Wire Jumper, 0.58MM.	3198	036	90010
6541	Zener Diode, 9.1 volt.	9322	150	08685	9514	Wire Jumper, 0.58MM.	3198	036	90010
6560	Diode, Rect, BYV29X-500	9340	555	59127	9515	Wire Jumper, 0.58MM.	3198	036	90010
6562	Diode, Rect, EGP20DL-5100	9322	164	42682	9516	Wire Jumper, 0.58MM.	3198	036	90010
6563	Diode, Signal, BAS316	3198	010	10630	9518	Wire Jumper, 0.58MM.	3198	036	90010
6565	Diode, Signal, BAV70	9331	849	10215	9520	Wire Jumper, 0.58MM.	3198	036	90010
6566	Diode, Signal, 1N4148	3198	010	10010	9521	Wire Jumper, 0.58MM.	3198	036	90010
6569	Diode, Signal, BAS316	3198	010	10630	9522	Wire Jumper, 0.58MM.	3198	036	90010
6570	Zener Diode, 6.8 volt.	3198	020	56880	9524	Wire Jumper, 0.58MM.	3198	036	90010
6580	Diode, Signal, BAS316	3198	010	10630	9525	Wire Jumper, 0.58MM.	3198	036	90010
6681	Diode Signal, IG BAT85	9336	247	60133	9528	Wire Jumper, 0.58MM.	3198	036	90010
6691	LED, VS LTL-10224WHCR	9322	050	99682	9610	Wire Jumper, 0.58MM.	3198	036	90010
6692	IR, Receiver, TSOP1836UH3V	9322	127	54667	9611	Coil, 27u.	3198	018	22790
6831	Diode, Signal, 1N4148	3198	010	10010	9612	Wire Jumper, 0.58MM.	3198	036	90010
6901	Res, Zero ohm, Chip Jumper	3198	021	90020	9613	Wire Jumper, 0.58MM.	3198	036	90010
7101	Transistor, NPN, BC847B	3198	010	42030	9614	Wire Jumper, 0.58MM.	3198	036	90010
7102	Transistor, PNP, BC857B	3198	010	42150	9615	Wire Jumper, 0.58MM.	3198	036	90010
7103	Transistor, NPN, BC847B	3198	010	42030	9616	Wire Jumper, 0.58MM.	3198	036	90010
7200	IC, SM TDA9587H/NL/3	9352	716	32557	9617	Wire Jumper, 0.58MM.	3198	036	90010
7201	Transistor, NPN, BC847B	3198	010	42030	9618	Wire Jumper, 0.58MM.	3198	036	90010
7204	Transistor, PNP, BC857B	3198	010	42150	9619	Wire Jumper, 0.58MM.	3198	036	90010
7205	Transistor, PNP, BC857B	3198	010	42150	9620	Wire Jumper, 0.58MM.	3198	036	90010
7441	Transistor, PNP, BC857B	3198	010	42150	9621	Wire Jumper, 0.58MM.	3198	036	90010
7443	Transistor, PNP, BC557B	3198	020	40110	9622	Wire Jumper, 0.58MM.	3198	036	90010
7450	Transistor, PNP, PDTA114ET	3198	010	44010	9623	Wire Jumper, 0.58MM.	3198	036	90010
7460	Transistor, NPN, BU4508DX	9340	550	92127	9624	Wire Jumper, 0.58MM.	3198	036	90010
7461	Transistor, NPN, BC337-25	3198	020	43530	9625	Wire Jumper, 0.58MM.	3198	036	90010
7462	Transistor, NPN, PDDTC143ZT	9340	547	00215	9626	Wire Jumper, 0.58MM.	3198	036	90010
7463	Transistor, PNP, BC327-25	3198	020	43430	9627	Wire Jumper, 0.58MM.	3198	036	90010
7471	IC, TDA8359J/N2	9352	701	64112	9628	Wire Jumper, 0.58MM.	3198	036	90010
7480	Transistor, NPN, BD135	3198	020	41010	9629	Wire Jumper, 0.58MM.	3198	036	90010
7482	Transistor, NPN, BD135	3198	020	41010	9630	Wire Jumper, 0.58MM.	3198	036	90010
S 7515	Optical Coupler, TCET1104(G)	9322	175	72667	9631	Wire Jumper, 0.58MM.	3198	036	90010
7520	IC, TEA1507P/NL	9352	673	56112	9632	Wire Jumper, 0.58MM.	3198	036	90010
7521	FET Power STP8NC50FP	9322	160	72687	9633	Wire Jumper, 0.58MM.	3198	036	90010
7522	Transistor, NPN, BC847B(COL)	3198	010	42030	9634	Wire Jumper, 0.58MM.	3198	036	90010
7540	Transistor, NPN, BC547B(COL)	3198	020	40030	9637	Wire Jumper, 0.58MM.	3198	036	90010
7541	Transistor, NPN, PDDTC114ET	9340	310	10215	9638	Wire Jumper, 0.58MM.	3198	036	90010
7542	Transistor, PNP, BC857B(COL)	3198	010	42150	9639	Wire Jumper, 0.58MM.	3198	036	90010
7560	IC, L78L33ACZ	9322	134	92676	9640	Wire Jumper, 0.58MM.	3198	036	90010
7561	Transistor, NPN, PDDTC143ZT	9340	547	00215	9641	Wire Jumper, 0.58MM.	3198	036	90010
7562	Transistor, PNP, BC857B(COL)	3198	010	42150	9642	Wire Jumper, 0.58MM.	3198	036	90010
7564	Transistor, PNP, BC857B(COL)	3198	010	42150	9643	Wire Jumper, 0.58MM.	3198	036	90010
7580	Transistor, PNP, BC857B(COL)	3198	010	42150	9644	Wire Jumper, 0.58MM.	3198	036	90010
7602	IC, M24C08-WBN6	9322	154	38682	9645	Wire Jumper, 0.58MM.	3198	036	90010
7801	IC, SM HEF4052BT	9333	729	50653	9646	Wire Jumper, 0.58MM.	3198	036	90010
7802	IC, SM HEF4052BT	9333	729	60653	9648	Wire Jumper, 0.58MM.	3198	036	90010
7831	IC, MSP3445G-PO-B8	9322	160	81682	9650	Wire Jumper, 0.58MM.	3198	036	90010
7901	IC, AN7522N	9322	158	65667	9654	Wire Jumper, 0.58MM.	3198	036	90010
9001	Wire Jumper, 0.58MM.	3198	036	90010	9655	Wire Jumper, 0.58MM.	3198	036	90010
9101	Wire Jumper, 0.58MM.	3198	036	90010	9656	Wire Jumper, 0.58MM.	3198	036	90010
9102	Wire Jumper, 0.58MM.	3198	036	90010	9657	Wire Jumper, 0.58MM.	3198	036	90010
9103	Wire Jumper, 0.58MM.	3198	036	90010	9658	Wire Jumper, 0.58MM.	3198	036	90010
9171	Wire Jumper, 0.58MM.	3198	036	90010	9659	Wire Jumper, 0.58MM.	3198	036	90010
9172	Wire Jumper, 0.58MM.	3198	036	90010	9660	Wire Jumper, 0.58MM.	3198	036	90010
9173	Wire Jumper, 0.58MM.	3198	036	90010	9661	Wire Jumper, 0.58MM.	3198	036	90010
9175	Wire Jumper, 0.58MM.	3198	036	90010	9662	Wire Jumper, 0.58MM.	3198	036	90010
9176	Wire Jumper, 0.58MM.	3198	036	90010	9663	Wire Jumper, 0.58MM.	3198	036	90010
9178	Wire Jumper, 0.58MM.	3198	036	90010	9664	Wire Jumper, 0.58MM.	3198	036	90010
9179	Wire Jumper, 0.58MM.	3198	036	90010	9665	Wire Jumper, 0.58MM.	3198	036	90010
9181	Wire Jumper, 0.58MM.	3198	036	90010	9666	Wire Jumper, 0.58MM.	3198	036	90010
9182	Wire Jumper, 0.58MM.	3198	036	90010	9668	Wire Jumper, 0.58MM.	3198	036	90010
9183	Wire Jumper, 0.58MM.	3198	036	90010	9669	Wire Jumper, 0.58MM.	3198	036	90010
9192	Wire Jumper, 0.58MM.	3198	036	90010	9670	Wire Jumper, 0.58MM.	3198	036	90010
9193	Wire Jumper, 0.58MM.	3198	036	90010	9672	Wire Jumper, 0.58MM.	3198	036	90010
9406	Wire Jumper, 0.58MM.	3198	036	90010	9674	Wire Jumper, 0.58MM.	3198	036	90010
9407	Wire Jumper, 0.58MM.	3198	036	90010	9675	Wire Jumper, 0.58MM.	3198	036	90010
9408	Wire Jumper, 0.58MM.	3198	036	90010	9676	Wire Jumper, 0.58MM.	3198	036	90010
9409	Wire Jumper, 0.58MM.	3198	036	90010	9678	Wire Jumper, 0.58MM.	3198	036	90010
9410	Wire Jumper, 0.58MM.	3198	036	90010	9679	Wire Jumper, 0.58MM.	3198	036	90010
9411	Wire Jumper, 0.58MM.	3198	036	90010	9680	Wire Jumper, 0.58MM.	3198	036	90010
9412	Wire Jumper, 0.58MM.	3198	036	90010	9683	Wire Jumper, 0.58MM.	3198	036	90010
9413	Wire Jumper, 0.58MM.	3198	036	90010	9685	Wire Jumper, 0.58MM.	3198	036	90010
9415	Wire Jumper, 0.58MM.	3198	036	90010	9686	Wire Jumper, 0.58MM.	3198	036	90010
9416	Wire Jumper, 0.58MM.	3198	036	90010	9687	Wire Jumper, 0.58MM.	3198	036	90010
9417	Wire Jumper, 0.58MM.	3198	036	90010	9688	Wire Jumper, 0.58MM.	3198	036	90010
9418	Wire Jumper, 0.58MM.	3198	036	90010	9689	Wire Jumper, 0.58MM.	3198	036	90010
9419	Wire Jumper, 0.58MM.	3198	036	90010	9690	Wire Jumper, 0.58MM.	3198	036	90010
9421	Wire Jumper, 0.58MM.	3198	036	90010	9691	Wire Jumper, 0.58MM.	3198	036	90010
9422	Wire Jumper, 0.58MM.	3198	036	90010	9694	Wire Jumper, 0.58MM.	3198	036	90010
9423	Wire Jumper, 0.58MM.	3198	036	90010	9695	Wire Jumper, 0.58MM.	3198	036	90010
9425	Wire Jumper, 0.58MM.	3198	036	90010	9697	Wire Jumper, 0.58MM.	3198	036	90010
9427	Wire Jumper, 0.58MM.	3198	036	90010	9698	Wire Jumper, 0.58MM.	3198	036	90010
9453	Wire Jumper, 0.58MM.	3198	036	90010	9699	Wire Jumper, 0.58MM.	3198	036	90010
9460	Wire Jumper, 0.58MM.	3198	036	90010	9821	Wire Jumper, 0.58MM.	3198	036	90010

S = Safety Part Be sure to use exact replacement part.

27HT3000 (continued)

9822	Wire Jumper, 0.58MM.	3198 036 90010	0251	6 Pin Connector.	2422 025 12482
9824	Wire Jumper, 0.58MM.	3198 036 90010	0254	5 Pin Connector.	2422 025 12481
9825	Wire Jumper, 0.58MM.	3198 036 90010	0255	4 Pin Connector.	2422 025 12479
9827	Wire Jumper, 0.58MM.	3198 036 90010	2171	Cap, 470p, 10%, 50v, Ceramic	3198 019 14710
9828	Wire Jumper, 0.58MM.	3198 036 90010	2172	Cap, 470p, 10%, 50v, Ceramic	3198 019 14710
9829	Wire Jumper, 0.58MM.	3198 036 90010	2173	Cap, 470p, 10%, 50v, Ceramic	3198 019 14710
9830	Wire Jumper, 0.58MM.	3198 036 90010	2174	Cap, 470p, 10%, 50v, Ceramic	3198 019 14710
9831	Wire Jumper, 0.58MM.	3198 036 90010	2176	Cap, 470p, 10%, 50v, Ceramic	3198 019 14710
9832	Wire Jumper, 0.58MM.	3198 036 90010	2177	Cap, 10u, 20%, 50v, Electrolytic	3198 025 51090
9834	Wire Jumper, 0.58MM.	3198 036 90010	2178	Cap, 470p, 10%, 50v, Ceramic	3198 019 14710
9835	Wire Jumper, 0.58MM.	3198 036 90010	2179	Cap, 10u, 20%, 50v, Electrolytic	3198 025 51090
9836	Wire Jumper, 0.58MM.	3198 036 90010	3150	Res, 47K, 5%, 1/6W, Carbon Film.	3198 011 04730
9837	Wire Jumper, 0.58MM.	3198 036 90010	3151	Res, 150 ohm, 5%, 1/6W, Carbon Film.	3198 011 01510
9838	Wire Jumper, 0.58MM.	3198 036 90010	3152	Res, 47K, 5%, 1/6W, Carbon Film.	3198 011 04730
9839	Wire Jumper, 0.58MM.	3198 036 90010	3153	Res, 150 ohm, 5%, 1/6W, Carbon Film.	3198 011 01510
9840	Wire Jumper, 0.58MM.	3198 036 90010	3156	Res, 120 ohm, 5%, 1/6W, Carbon Film.	3198 011 01210
9841	Wire Jumper, 0.58MM.	3198 036 90010	3157	Res, 120 ohm, 5%, 1/6W, Carbon Film.	3198 011 01210
9842	Wire Jumper, 0.58MM.	3198 036 90010	6161	Zener Diode, 6.8 volt.	3198 010 26880
9843	Wire Jumper, 0.58MM.	3198 036 90010	9153	Jumper	3198 036 90010
9844	Wire Jumper, 0.58MM.	3198 036 90010	9170	Jumper	3198 036 90010
9845	Wire Jumper, 0.58MM.	3198 036 90010	9171	Jumper	3198 036 90010
9846	Wire Jumper, 0.58MM.	3198 036 90010			
9847	Wire Jumper, 0.58MM.	3198 036 90010			
9849	Wire Jumper, 0.58MM.	3198 036 90010			
9851	Wire Jumper, 0.58MM.	3198 036 90010			
9901	Wire Jumper, 0.58MM.	3198 036 90010			
9902	Wire Jumper, 0.58MM.	3198 036 90010			
9903	Wire Jumper, 0.58MM.	3198 036 90010			
9904	Wire Jumper, 0.58MM.	3198 036 90010			
9905	Wire Jumper, 0.58MM.	3198 036 90010			
9911	Wire Jumper, 0.58MM.	3198 036 90010			
9912	Wire Jumper, 0.58MM.	3198 036 90010			
9913	Wire Jumper, 0.58MM.	3198 036 90010			
9914	Wire Jumper, 0.58MM.	3198 036 90010			
9915	Wire Jumper, 0.58MM.	3198 036 90010			
9916	Wire Jumper, 0.58MM.	3198 036 90010			
9918	Wire Jumper, 0.58MM.	3198 036 90010			
9919	Wire Jumper, 0.58MM.	3198 036 90010			
9920	Wire Jumper, 0.58MM.	3198 036 90010			
9921	Wire Jumper, 0.58MM.	3198 036 90010			
9922	Wire Jumper, 0.58MM.	3198 036 90010			
9991	Wire Jumper, 0.58MM.	3198 036 90010			
9994	Wire Jumper, 0.58MM.	3198 036 90010			
9996	Wire Jumper, 0.58MM.	3198 036 90010			
9998	Wire Jumper, 0.58MM.	3198 036 90010			
CBA	Main Chassis Assembly.	3139 177 27031			

CRT Panel Parts (Part of Main Chassis)

0244	Connector, 5 Pin	2422 025 04853
0245	Connector, 6 Pin	2422 025 04854
S 0254	CRT Socket, 9 Pin.	2422 500 80076
2330	Cap, 100n, 10%, 250v, Metallized Polyester.	2222 368 90177
2340	Cap, 10u, 20%, 250v, Electrolytic.	2020 012 93495
2341	Cap, 3n3, 10%, 500v, Ceramic	3198 019 43320
2342	Cap, 560p, 5%, 50v, Ceramic	3198 016 05610
2343	Cap, 3n3, 10%, 2000v, Ceramic.	2020 558 90529
2344	Cap, 100n, +80/-20%, 25v, Ceramic.	3198 023 21040
2345	Cap, 1n, 10%, 500v, Ceramic.	3198 019 41020
3331	Res, 100 ohm, 5%, 1/6W, Carbon Film.	3198 011 01010
3332	Res, 1K, 20%, 1/2W, Carbon Film.	3198 013 01020
3333	Res, 100 ohm, 5%, 1/6W, Carbon Film.	3198 011 01010
3334	Res, 1K, 20%, 1/2W, Carbon Film.	3198 013 01020
3335	Res, 100 ohm, 5%, 1/6W, Carbon Film.	3198 011 01010
3336	Res, 1K, 20%, 1/2W, Carbon Film.	3198 013 01020
S 3340	Res, 10 ohm, 5%, 1/2W, Metal Film.	2306 207 03109
S 3341	Res, 1 ohm, 5%, 1/3W, Metal Film.	2306 204 03108
S 3342	Res, 1 ohm, 5%, 1/3W, Metal Film.	2306 204 03108
3343	Res, 1K5, 20%, 1/2W, Carbon Film.	3198 013 01520
3344	Res, 22 ohm, 5%, 1/6W, Carbon Film.	3198 011 02290
3345	VDR DC 1MA/ 50V S MAX 115V A	2322 593 13507
3346	Res, 22 ohm, 5%, 1/6W, Carbon Film.	3198 011 02290
3347	Res, Zero ohm, Chip Jumper	3198 021 90020
3350	Res, Zero ohm, Chip Jumper	3198 021 90020
3353	Res, Zero ohm, Chip Jumper	3198 021 90020
5342	Coil, 22u.	2422 535 97333
6331	Diode, Signal, BAV21	3198 010 10070
6332	Diode, Signal, BAS316.	3198 010 10630
6333	Diode, Signal, BAV21	3198 010 10070
6335	Diode, Signal, BAV21	3198 010 10070
7330	IC, TDA6107Q/N2.	9352 576 50112
9311	Wire Jumper, 0.58MM.	3198 036 90010
9341	Wire Jumper, 0.58MM.	3198 036 90010
9342	Wire Jumper, 0.58MM.	3198 036 90010
9343	Wire Jumper, 0.58MM.	3198 036 90010

Side AV+HP Panel Parts - 313912723881

	Side AV+HP Panel Parts - 313912723881	
CBA	Side AV+HP Panel Assembly.	3139 127 23881
0232	1 Pin Headphone Socket	2422 026 04747
0250	3 Pin Cinch Socket	2422 026 04815

S = Safety Part Be sure to use exact replacement part.

27PS50B321 - Manual no. 7629

Cabinet & Accessory Parts

Cabinet & Accessory Parts			2215	Cap, 22n, 10%, 50v, Ceramic	3198	017	02230
S AC01	AC Cord	3135 010 03831	2216	Cap, 1000u, 20%, 16v, Electrolytic	3198	026	21020
AC03	Battery, 1.5V, 2-PACK	9299 000 65263	2217	Cap, 22n, 10%, 25v, Ceramic	3198	017	32230
AC04	Cabinet Back	3139 124 35861	2219	Cap, 220n, +80/-20%, 25v, Ceramic	3198	023	22240
AC09	Clip, Anode Lead	3135 014 04471	2220	Cap, 470n, 10%, 50v, Polyester	3198	014	04740
S AC10	CRT, A68AJB82X11	9301 891 90631	2221	Cap, 22n, 10%, 50v, Ceramic	3198	017	02230
AC11	Customer Control Buttons	3139 124 32701	2241	Cap, 1n5, 10%, 50v, Ceramic	3198	017	31520
S AC12	Degaussing Coil	2422 549 43967	2242	Cap, 1u, +80/-20%, 10v, Ceramic	3198	017	41050
AC13	Holder, Degaussing Coil (4 Used)	3135 013 01641	2243	Cap, 2n2, 10%, 50v, Ceramic	3198	017	02220
AC16	Owner's Manual	3121 235 20101	2244	Cap, 100n, 5%, 63v, Metallized Polyester	2222	370	76104
AC16b	Quick Use Guide	3121 233 40901	2245	Cap, 220n, +80/-20%, 16v, Ceramic	3198	023	22240
REMOTE	Remote Transmitter, RC19036001/01	3139 228 86491	2247	Cap, 1000u, 20%, 16v, Electrolytic	3198	026	21020
AC20	Cabinet Front Assembly f/27PS50B321	3121 237 51811	2248	Cap, 22n, 10%, 50v, Ceramic	3198	017	02230
AC20a	Cabinet Front	3139 137 70561	2249	Cap, 22n, 10%, 25v, Ceramic	3198	017	32230
AC20b	Chassis Guide	3139 124 31323	2250	Cap, 2u2, 20%, 50v, Electrolytic	3198	025	52280
AC20d	Light Guide	3139 124 32671	2252	Cap, 1n, 5%, 25v, Ceramic	3198	016	31020
AC20j	Speaker, Full Range, 16ohm, 5W (2 Use d)	2422 264 00371	2253	Cap, 1n, 5%, 25v, Ceramic	3198	016	31020
S AC21	Deflection Yoke	3313 203 01242	2254	Res, Zero ohm, Chip Jumper	3198	021	90020

Main Chassis Assembly Parts

Main Chassis Assembly Parts			2405	Cap, 220u, 20%, 25v, Electrolytic	3198	025	32210
0127	Socket Fuse	2422 088 00271	2441	Cap, 1u, 20%, 50v, Electrolytic	3198	025	51080
S 0211	Connector, 2 Pin	2422 025 16269	2443	Cap, 47n, +80/-20%, 50v, Ceramic	3198	017	24730
S 0212	Connector, 2 Pin	2422 025 16375	2444	Cap, 1u, 20%, 50v, Electrolytic	3198	025	51080
0219	Connector, 6 Pin	2422 025 12482	2450	Cap, 47u, 20%, 160v, Electrolytic	2020	021	91139
0220	Connector, 5 Pin	2422 025 04853	2451	Cap, 15n, 10%, 50v, Polyester	3198	014	01530
S 0221	Connector, 4 Pin	2422 025 15503	2452	Cap, 180p, 5%, 50v, Ceramic	3198	016	01810
S 0222	Connector, 2 Pin	2422 025 10646	2455	Cap, 47u, 20%, 25v, Electrolytic	3198	025	34790
0223	Socket, Cinch, 9 Pin	2422 026 05236	2457	Cap, 470n, 5%, 250v, Polypropylene	2222	479	90023
0225	Socket, MDIN, 10 Pin	2422 026 04926	2458	Cap, 2u2, 20%, 100v, Electrolytic	2020	021	91331
0243	Connector, 6 Pin	2422 025 04854	2459	Cap, 680p, 10%, 500v, Ceramic	3198	019	46810
0246	Connector, 5 Pin	2422 025 12481	2460	Cap, 100p, 5%, 50v, Ceramic	3198	016	01010
0267	Connector, 3 Pin	2412 020 00725	2462	Cap, 330n, 10%, 250v, Polypropylene	2022	333	00084
0269	Socket, Cinch, 3 Pin	2422 026 05182	2463	Cap, 680p, 10%, 2kV, Ceramic	2020	558	90485
1000	Tuner, V+U PLL	2422 542 90098	2463	Cap, 1.2nF, 10%, 2kV, Ceramic	2020	558	90488
1002	SAW Filter, 45MHZ75, OFWML971M L	2422 549 44518	2465	Cap, 11n, 5%, 1600v, Polypropylene	2222	375	90155
1200	Filter, Ceramic, 4MHz5	2422 549 40807	2471	Cap, 100n, 10%, 50v, Polyester	3198	014	01040
S 1500	Fuse, 4A, 250V, IEC	2422 086 10914	2472	Cap, 150n, 10%, 63v, Metallized Polyester	2222	365	75154
S 1515	Relay, 1P, 12V	2422 132 07444	2473	Cap, 100n, 10%, 63v, Metallized Polyester	2222	365	75104
1600	Tact Switch	2422 128 02742	2474	Cap, 2n2, 10%, 50v, Ceramic	3198	017	02220
1601	Tact Switch	2422 128 02742	2475	Cap, 2n2, 10%, 50v, Ceramic	3198	017	02220
1602	Tact Switch	2422 128 02742	2476	Cap, 4n7, 10%, 50v, Ceramic	3198	017	04720
1603	Tact Switch	2422 128 02742	2480	Cap, 47u, 20%, 25v, Electrolytic	2020	021	90586
1606	Tact Switch	2422 128 02742	2481	Cap, 470p, 10%, 500v, Ceramic	3198	019	44710
1660	Crystal Resonator, 12 MHz, 20P, HC49/U A	2422 543 01203	2482	Cap, 68n, 10%, 250v, Polyester	2222	347	90234
1831	Crystal Resonator, 18MHZ432 12P HC49 /U A	2422 543 00842	2485	Cap, 4u7, 20%, 250v, Electrolytic	2020	021	90856
2004	Cap, 47n, 10%, 16v, Ceramic	3198 017 34730	2486	Cap, 470u, 20%, 16v, Electrolytic	2020	021	91577
2005	Cap, 10u, 20%, 50v, Electrolytic	3198 025 51090	2487	Cap, 47u, 20%, 50v, Electrolytic	2020	021	90854
2006	Cap, 470u, 20%, 16v, Electrolytic	3198 025 24710	2488	Cap, 1000u, 20%, 16v, Electrolytic	2020	021	91049
2007	Cap, 100n, +80/-20%, 25v, Ceramic	3198 023 41040	2489	Cap, 470u, 20%, 16v, Electrolytic	2020	021	91577
2008	Cap, 100u, 20%, 25v, Electrolytic	3198 025 31010	2491	Cap, 1n, 10%, 500v, Ceramic	3198	019	41020
2009	Cap, 22n, 10%, 25v, Ceramic	3198 017 32230	S 2500	Cap, 470n, 20%, 275v, Metallized Polypropylene	2222	336	29148
2101	Cap, 470n, +80/-20%, 16v, Ceramic	3198 017 24740	2501	Cap, 2n2, 10%, 1000v, Ceramic	3198	019	52220
2102	Cap, 22p, 5%, 50v, Ceramic	3198 016 32290	2502	Cap, 2n2, 10%, 1000v, Ceramic	3198	019	52220
2103	Cap, 330p, 5%, 50v, Ceramic	3198 016 33310	2503	Cap, 470u, 20%, 200v, Electrolytic	2020	024	90626
2104	Cap, 330p, 5%, 50v, Ceramic	3198 016 33310	2505	Cap, 2n2, 10%, 1000v, Ceramic	3198	019	52220
2105	Cap, 10u, 20%, 50v, Electrolytic	3198 025 51090	2507	Cap, 470p, 10%, 50v, Ceramic	3198	017	04710
2106	Cap, 10u, 20%, 50v, Electrolytic	3198 025 51090	2508	Cap, 470p, 10%, 1000v, Ceramic	3198	019	64710
2111	Cap, 22p, 5%, 50v, Ceramic	3198 016 32290	S 2515	Cap, 1n5, 20%, v, Ceramic	2020	554	90128
2112	Cap, 22p, 5%, 50v, Ceramic	3198 016 32290	2520	Cap, 100n, 10%, 16v, Ceramic	3198	017	01040
2113	Cap, 22p, 5%, 50v, Ceramic	3198 016 32290	2521	Cap, 22u, 20%, 50v, Electrolytic	3198	025	52290
2121	Cap, 22p, 5%, 50v, Ceramic	3198 016 32290	2522	Cap, 100n, 10%, 16v, Ceramic	3198	017	01040
2122	Cap, 330p, 5%, 50v, Ceramic	3198 016 33310	2523	Cap, 1n5, 10%, 2000v, Ceramic	2020	558	90489
2123	Cap, 2u2, +80/-20%, 10v, Ceramic	3198 017 22250	2525	Cap, 470p, 10%, 50v, Ceramic	3198	017	04710
2124	Cap, 330p, 5%, 50v, Ceramic	3198 016 33310	2527	Cap, 2n2, 10%, 50v, Ceramic	3198	017	02220
2125	Cap, 2u2, +80/-20%, 10v, Ceramic	3198 017 22250	2528	Cap, 1n, 10%, 50v, Ceramic	3198	017	01020
2131	Cap, 330p, 5%, 50v, Ceramic	3198 016 33310	2540	Cap, 10n, 10%, 50v, Ceramic	3198	017	01030
2132	Cap, 2u2, +80/-20%, 10v, Ceramic	3198 017 22250	2541	Cap, 10n, 10%, 50v, Ceramic	3198	017	01030
2133	Cap, 330p, 5%, 50v, Ceramic	3198 016 33310	2560	Cap, 680p, 10%, 1000v, Ceramic	2020	558	90472
2134	Cap, 2u2, +80/-20%, 10v, Ceramic	3198 017 22250	2561	Cap, 100u, 20%, 160v, Electrolytic	2020	021	91654
2135	Cap, 22p, 5%, 50v, Ceramic	3198 016 32290	2562	Cap, 1n, 10%, 50v, Ceramic	3198	019	11020
2136	Cap, 22p, 5%, 50v, Ceramic	3198 016 32290	2563	Cap, 100n, 10%, 50v, Polyester	3198	014	01040
2141	Cap, 330p, 5%, 50v, Ceramic	3198 016 33310	2564	Cap, 2u2, 20%, 25v, Electrolytic	2020	021	91353
2143	Cap, 100n, +80/-20%, 25v, Ceramic	3198 023 41040	2566	Cap, 470u, 20%, 6.3v, Electrolytic	3198	025	04710
2150	Cap, 150n, 10%, 16v, Ceramic	2238 780 15652	2567	Cap, 47u, 20%, 25v, Electrolytic	3198	025	34790
2181	Cap, 22p, 5%, 50v, Ceramic	3198 016 32290	2568	Cap, 1u, 20%, 50v, Electrolytic	3198	025	51080
2184	Cap, 2u2, +80/-20%, 10v, Ceramic	3198 017 22250	2580	Cap, 47u, 20%, 16v, Electrolytic	3198	028	24790
2201	Cap, 100n, +80/-20%, 25v, Ceramic	3198 023 21040	2581	Cap, 22u, 20%, 50v, Electrolytic	3198	025	52290
2202	Cap, 100n, +80/-20%, 25v, Ceramic	3198 023 21040	2601	Cap, 220n, +80/-20%, 25v, Ceramic	3198	023	22240
2203	Cap, 100n, +80/-20%, 25v, Ceramic	3198 023 41040	2602	Cap, 100p, 5%, 50v, Ceramic	3198	016	01010
2204	Cap, 100n, +80/-20%, 25v, Ceramic	3198 023 41040	2606	Cap, 1n, 10%, 50v, Ceramic	3198	017	01020
2205	Cap, 220n, +80/-20%, 25v, Ceramic	3198 023 22240	2607	Cap, 33p, 5%, 50v, Ceramic	3198	016	33390
2208	Cap, 100n, +80/-20%, 25v, Ceramic	3198 023 41040	2608	Cap, 1u, +80/-20%, 10v, Ceramic	3198	017	41050
2209	Cap, 4u7, 20%, 50v, Electrolytic	3198 025 54780	2609	Cap, 33p, 5%, 50v, Ceramic	3198	016	33390
2210	Cap, 1u, +80/-20%, 16v, Ceramic	3198 017 21050	2611	Cap, 1u, +80/-20%, 10v, Ceramic	3198	017	41050
2211	Cap, 470n, +80/-20%, 10v, Ceramic	3198 017 44740	2612	Cap, 68p, 5%, 50v, Ceramic	3198	016	06890
2213	Cap, 22n, 10%, 50v, Ceramic	3198 017 02230	2613	Cap, 68p, 5%, 50v, Ceramic	3198	016	06890
2214	Cap, 22n, 10%, 50v, Ceramic	3198 017 02230	2615	Cap, 1n, 10%, 50v, Ceramic	3198	017	01020
			2618	Cap, 1u, +80/-20%, 10v, Ceramic	3198	017	41050
			2619	Cap, 1u, +80/-20%, 16v, Ceramic	3198	017	21050

S = Safety Part. Be sure to use exact replacement part.

27PS50B321 (continued)

2691	Cap, 10u, 20%, 50v, Electrolytic . . .	3198 025 51090	3209	Res, 68 ohm, 5%, 1/16W, Metallized Gl	
2801	Cap, 22u, 20%, 50v, Electrolytic . . .	3198 025 52290		ass.	3198 021 36890
2802	Cap, 220n, +80/-20%, 16v, Ceramic. . .	3198 017 42240	3212	Res, 470 ohm, 5%, 1/16W, Metallized G	
2804	Cap, 2u2, +80/-20%, 10v, Ceramic . . .	3198 017 22250		lass	3198 021 34710
2805	Res, Zero ohm, Chip Jumper	3198 021 90020	3213	Res, 560 ohm, 5%, 1/6W, Carbon Film.	3198 011 05610
2806	Res, Zero ohm, 'Chip' Jumper	3198 021 90030	3217	Res, 330K, 5%, 1/16W, Metallized Glass	3198 021 33340
2831	Cap, 1p, 25%, 50v, Ceramic	3198 016 31080	3218	Res, 82K, 5%, 1/16W, Metallized Glass	3198 021 38230
2832	Cap, 1p, 25%, 50v, Ceramic	3198 016 31080	3219	Res, 2K2, 5%, 1/16W, Metallized Glass	3198 021 32220
2833	Cap, 47p, 5%, 50v, Ceramic	3198 016 34790	3220	Res, 100 ohm, 5%, 1/6W, Carbon Film.	3198 011 01010
2834	Cap, 470p, 5%, 50v, Ceramic.	3198 016 34710	3221	Res, 560 ohm, 5%, 1/6W, Carbon Film.	3198 011 05610
2835	Cap, 220p, 5%, 50v, Ceramic.	3198 016 32210	3222	Res, 100 ohm, 5%, 1/6W, Carbon Film.	3198 011 01010
2836	Cap, 1n5, 10%, 50v, Ceramic.	3198 017 31520	3226	Res, 560 ohm, 5%, 1/16W, Metallized G	
2837	Cap, 4u7, 20%, 50v, Electrolytic . . .	3198 025 54780		lass	3198 021 35610
2840	Cap, 100n, +80/-20%, 25v, Ceramic. . .	3198 023 41040	3235	Res, 100 ohm, 5%, 1/6W, Carbon Film.	3198 011 01010
2841	Cap, 10u, 20%, 50v, Electrolytic . . .	3198 025 51090	3241	Res, 22k, 5%, Carbon	3198 021 52230
2842	Cap, 100n, +80/-20%, 25v, Ceramic. . .	3198 023 41040	3242	Res, 12K, 5%, 1/10W, Metallized Glass	3198 021 51230
2843	Cap, 10u, 20%, 50v, Electrolytic . . .	3198 025 51090	3244	Res, 820 ohm, 5%, 1/6W, Carbon Film.	3198 011 08210
2844	Cap, 10u, 20%, 50v, Electrolytic . . .	3198 025 51090	3245	Res, 39K, 1%, 1/10W, Metallized Glass	2120 108 92633
2845	Cap, 100n, +80/-20%, 25v, Ceramic. . .	3198 023 41040	3246	Res, 10k, 5%, Carbon	3198 021 51030
2846	Cap, 100u, 20%, 25v, Electrolytic. . .	3198 025 31010	3247	Res, 680K, 5%, 1/10W, Metallized Glas	3198 021 56840
2849	Cap, 1n, 5%, 25v, Ceramic.	3198 016 31020	3248	Res, 33K, 5%, 1/10W, Metallized Glass	3198 021 53330
2850	Cap, 1n, 5%, 25v, Ceramic.	3198 016 31020	3249	Res, 820 ohm, 5%, 1/6W, Carbon Film.	3198 011 08210
2851	Res, Zero ohm, Chip Jumper	3198 021 90020	3250	Res, 8K2, 5%, 1/6W, Carbon Film. . .	3198 011 08220
2852	Cap, 1n, 5%, 25v, Ceramic.	3198 016 31020	3251	Res, 100 ohm, 5%, 1/6W, Carbon Film.	3198 011 01010
2853	Res, Zero ohm, Chip Jumper	3198 021 90020	3256	Res, 1k, 5%, Carbon.	3198 021 51020
2854	Cap, 1n, 5%, 25v, Ceramic.	3198 016 31020	3257	Res, 10M, 5%, 1/10W, Metallized Glass	3198 021 51060
2855	Cap, 33p, 5%, 50v, Ceramic	3198 016 33390	3258	Res, 100K, 5%, 1/10W, Metallized Glas	3198 021 51040
2856	Cap, 47p, 5%, 50v, Ceramic	3198 016 34790	3259	Res, 470K, 5%, 1/10W, Metallized Glas	3198 021 54740
2857	Cap, 150p, 5%, 50v, Ceramic.	3198 016 31510	3441	Res, 100 ohm, 5%, 1/10W, Metallized G	
2860	Cap, 180p, 5%, 50v, Ceramic.	3198 016 31810		lass	3198 021 51010
2894	Cap, 220p, 5%, 50v, Ceramic.	3198 016 32210	3442	Res, Zero ohm, Chip Jumper	3198 021 90020
2895	Cap, 560p, 5%, 25v, Ceramic.	3198 016 35610	3443	Res, 1M, 5%, 1/10W, Metallized Glass	3198 021 51050
2897	Cap, 390p, 5%, 50v, Ceramic.	3198 016 33910	3445	Res, 15K, 5%, 1/6W, Carbon Film. . .	3198 011 01530
2898	Cap, 10n, 10%, 50v, Ceramic.	3198 017 31030	3446	Res, 5K6, 5%, 1/6W, Carbon Film. . .	3198 011 05620
2902	Cap, 1000u, 20%, 16v, Electrolytic . .	3198 026 21020	3447	Res, 180 ohm, 5%, 1/6W, Carbon Film.	3198 011 01810
2903	Cap, 1u, 20%, 50v, Electrolytic. . . .	3198 025 51080	3448	Res, 820 ohm, 5%, 1/6W, Carbon Film.	3198 011 08210
2904	Cap, 470n, +80/-20%, 16v, Ceramic. . .	3198 017 24740	3449	Res, 68 ohm, 5%, 1/6W, Carbon Film .	3198 011 06890
2905	Cap, 1n, 10%, 50v, Ceramic	3198 017 31020	3450	Res, 33 ohm, 5%, 1/6W, Carbon Film .	3198 011 03390
2906	Cap, 470n, +80/-20%, 16v, Ceramic. . .	3198 017 24740	S 3451	Res, 10 ohm, 5%, 1/3W, Metal Film. . .	2306 204 03109
2907	Cap, 1n, 10%, 50v, Ceramic	3198 017 31020	3452	Res, 10K, 1%, 3/5W, Metal Film . . .	2312 915 11003
2908	Cap, 10u, 20%, 50v, Electrolytic . . .	3198 025 51090	3453	Res, 1K, 5%, 1/6W, Carbon Film . . .	3198 011 01020
2910	Cap, 3n3, 10%, 50v, Ceramic.	3198 017 33320	3454	Res, 3K9, 1%, 3/5W, Metal Film . . .	2312 915 13902
2911	Cap, 3n3, 10%, 50v, Ceramic.	3198 017 33320	3455	Res, 6R8, 5%, 1 1/3W, Metal Film . . .	3198 012 26880
2950	Cap, 330p, 5%, 50v, Ceramic.	3198 016 33310	3456	Res, Zero ohm, Chip Jumper	3198 021 90020
3000	Res, 100 ohm, 5%, 1/6W, Carbon Film.	3198 011 01010	3457	Res, Zero ohm, Chip Jumper	3198 021 90020
3001	Res, 100 ohm, 5%, 1/6W, Carbon Film.	3198 011 01010	3458	Res, 1K, 5%, 1/6W, Carbon Film . . .	3198 011 01020
3002	Res, Zero ohm, 'Chip' Jumper	3198 021 90030	3459	Res, 15K, 5%, 1 1/3W, Metal Film . . .	3198 012 21530
3003	Res, 1K5, 5%, 1/16W, Metallized Glass	3198 021 31520	3460	Res, 3K9, 5%, 1/6W, Carbon Film. . .	3198 011 03920
3004	Res, 8K2, 5%, 1/16W, Metallized Glass	3198 021 38220	3463	Res, 33 ohm, 5%, 1/6W, Carbon Film .	3198 011 03390
3005	Res, 100 ohm, 5%, 1/6W, Carbon Film.	3198 011 01010	3465	Res, 27K, 1%, 3/5W, Metal Film . . .	2312 915 12703
3101	Res, 68 ohm, 5%, 1/6W, Carbon Film .	3198 011 06890	3468	Res, 220 ohm, 5%, 1/6W, Carbon Film.	3198 011 02210
3102	Res, 1k, 5%, Carbon.	3198 021 51020	3469	Res, 3K3, 5%, 1/6W, Carbon Film. . .	3198 011 03320
3103	Res, 150 ohm, 5%, 1/6W, Carbon Film.	3198 011 01510	3470	Res, 330K, 5%, 1/10W, Metallized Glas	3198 021 53340
3104	Res, 220K, 5%, 1/16W, Metallized Glas	3198 021 32240	3471	Res, 3R3, 1%, 3/5W, Metal Film . . .	2312 915 13308
3105	Res, 150 ohm, 5%, 1/6W, Carbon Film.	3198 011 01510	3472	Res, 3R3, 1%, 3/5W, Metal Film . . .	2312 915 13308
3106	Res, 220K, 5%, 1/16W, Metallized Glas	3198 021 32240	3473	Res, 3R3, 1%, 3/5W, Metal Film . . .	2312 915 13308
3111	Res, 75 ohm, 5%, 1/6W, Carbon Film .	3198 011 07590	3474	Res, 2K2, 1%, 3/5W, Metal Film . . .	2312 915 12202
3112	Res, 100 ohm, 5%, 1/6W, Carbon Film.	3198 011 01010	3475	Res, 2K2, 1%, 3/5W, Metal Film . . .	2312 915 12202
3113	Res, 75 ohm, 5%, 1/6W, Carbon Film .	3198 011 07590	3477	Res, 150 ohm, 5%, 1/6W, Carbon Film.	3198 011 01510
3114	Res, 100 ohm, 5%, 1/6W, Carbon Film.	3198 011 01010	3478	Res, 150 ohm, 5%, 1/6W, Carbon Film.	3198 011 01510
3115	Res, 75 ohm, 5%, 1/6W, Carbon Film .	3198 011 07590	3479	Res, 2K7, 5%, 1/10W, Metallized Glass	3198 021 52720
3116	Res, 100 ohm, 5%, 1/6W, Carbon Film.	3198 011 01010	3480	Res, 1R5, 5%, 1/4W, Carbon Film. . .	2120 101 74158
3122	Wire Jumper, 0.58MM.	3198 036 90010	3481	Res, 12k, 1%, Metal Film	2312 915 11203
3123	Res, 150 ohm, 5%, 1/6W, Carbon Film.	3198 011 01510	3482	Res, 12k, 1%, Metal Film	2312 915 11203
3124	Res, 47K, 5%, 1/16W, Metallized Glass	3198 021 34730	3484	Res, 3K9, 5%, 1/6W, Carbon Film. . .	3198 011 03920
3125	Res, 150 ohm, 5%, 1/6W, Carbon Film.	3198 011 01510	3486	Res, 33 ohm, 5%, 2 1/2W, Metal Film.	3198 012 33390
3126	Res, 47K, 5%, 1/16W, Metallized Glass	3198 021 34730	3488	Res, 4R7, 5%, 1/2W, Metal Film . . .	2306 207 03478
3131	Res, 150 ohm, 5%, 1/6W, Carbon Film.	3198 011 01510	3490	Res, 8K2, 5%, 1/6W, Carbon Film. . .	3198 011 08220
3132	Res, 47K, 5%, 1/16W, Metallized Glass	3198 021 34730	3492	Res, 1k, 5%, Carbon.	3198 021 51020
3133	Res, 150 ohm, 5%, 1/6W, Carbon Film.	3198 011 01510	3493	Res, 6R8, 5%, 1/3W, Metal Film . . .	2306 204 03688
3134	Res, 47K, 5%, 1/16W, Metallized Glass	3198 021 34730	3494	Res, 4R7, 5%, 1/2W, Metal Film . . .	2306 207 03478
3135	Res, 75 ohm, 5%, 1/6W, Carbon Film .	3198 011 07590	3495	Res, 22k, 5%, Carbon	3198 021 52230
3136	Res, 100 ohm, 5%, 1/6W, Carbon Film.	3198 011 01010	3496	Res, 100K, 5%, 1/10W, Metallized Glas	3198 021 51040
3138	Wire Jumper, 0.58MM.	3198 036 90010	3497	Res, 100K, 5%, 1/10W, Metallized Glas	3198 021 51040
3141	Res, 1K, 5%, 1/6W, Carbon Film . . .	3198 011 01020	3498	Res, 12K, 5%, 1/10W, Metallized Glass	3198 021 51230
3149	Res, 100K, 5%, 1/16W, Metallized Glas	3198 021 31040	3499	Res, 10k, 5%, Carbon	3198 021 51030
3150	Res, 150K, 5%, 1/16W, Metallized Glas	3198 021 31540	S 3500	Res, 3M3, 5%, 1/2W, Metallized Glass	2322 242 13335
3154	Res, 5K6, 5%, 1/6W, Carbon Film. . .	3198 011 05620	S 3501	Res, 3M3, 5%, 1/2W, Metallized Glass	2322 242 13335
3156	Res, 10K, 5%, 1/6W, Carbon Film. . . .	3198 011 01030	3504	Res, 3 ohm, +30%/-20%, 144v, PTC, Car	
3157	Res, 1K5, 5%, 1/16W, Metallized Glass	3198 021 31520		bon Film	2122 663 00019
3158	Res, 10K, 5%, 1/16W, Metallized Glass	3198 021 31030	S 3506	Res, 1M5, 5%, 1/2W, Metallized Glass	2322 242 13155
3159	Res, 1K2, 1%, 1/10W, Metallized Glass	2120 108 92616	S 3507	Surge Protector, DSP-301N-A21F A. .	2422 549 43073
3200	Res, 390 ohm, 5%, 1/6W, Carbon Film.	3198 011 03910	S 3508	Res, 220 ohm, 20%, 1/2W, Carbon Film	3198 013 02210
3201	Res, 100 ohm, 5%, 1/6W, Carbon Film.	3198 011 01010	3510	Res, 4.7 ohm, 20%, 3W1, NTC, Carbon F	
3202	Res, 100 ohm, 5%, 1/6W, Carbon Film.	3198 011 01010		ilm.	2122 612 00056
3203	Res, 100 ohm, 5%, 1/6W, Carbon Film.	3198 011 01010	3519	Res, 270 ohm, 5%, 1/6W, Carbon Film.	3198 011 02710
3204	Res, 22K, 5%, 1/6W, Carbon Film. . .	3198 011 02230	3520	Res, 1K2, 5%, 1/10W, Metallized Glass	3198 021 51220
3205	Res, 1k, 5%, Carbon.	3198 021 51020	3521	Res, 4R7, 5%, 1/6W, Carbon Film. . .	3198 011 04780
3206	Res, 33K, 5%, 1/16W, Metallized Glass	3198 021 33330	3522	Res, 330K, 5%, 1/10W, Metallized Glas	3198 021 53340
3207	Res, 1K, 5%, 1/6W, Carbon Film	3198 011 01020	S 3523	Res, 100 ohm, 5%, 1/3W, Metal Film .	2306 204 03101
3208	Res, 220 ohm, 5%, 1/16W, Metallized G		3524	Res, 56K, 5%, 1/10W, Metallized Glass	3198 021 55630
	lass	3198 021 32210	3525	Res, 1k, 5%, Carbon.	3198 021 51020

S = Safety Part Be sure to use exact replacement part.

27PS50B321 (continued)

3526	Res, 0R1, 5%, 3/5W, Metal Film . . .	3198	012	11070	3905	Res, 3K3, 5%, 1/16W, Metallized Glass	3198	021	33320
3527	Res, 0R33, 5%, 3/5W, Metal Film. . .	3198	012	13370	3906	Res, 10K, 5%, 1/16W, Metallized Glass	3198	021	31030
3528	Res, Zero ohm, Chip Jumper	3198	021	90020	3907	Res, 8K2, 5%, 1/16W, Metallized Glass	3198	021	38220
3529	Res, 47K, 5%, 1/10W, Metallized Glass	3198	021	54730	4001	Res, Zero ohm, 'Chip' Jumper	3198	021	90030
3530	Res, 10k, 5%, Carbon	3198	021	51030	4002	Res, Zero ohm, 'Chip' Jumper	3198	021	90030
3531	Res, 4K7, 5%, 1/10W, Metallized Glass	3198	021	54720	4181	Res, Zero ohm, 'Chip' Jumper	3198	021	90030
S 3532	Res, 2K2, 5%, 1/3W, Metal Film	2306	204	03222	4209	Res, Zero ohm, 'Chip' Jumper	3198	021	90030
3541	Res, 470 ohm, 5%, 1/10W, Metallized G lass	3198	021	54710	4216	Res, Zero ohm, 'Chip' Jumper	3198	021	90030
3542	Res, 1K5, 5%, 1/10W, Metallized Glass	3198	021	51520	4217	Res, Zero ohm, 'Chip' Jumper	3198	021	90030
3543	Res, 82K, 1%, 3/5W, Metal Film	2312	915	18203	4401	Res, Zero ohm, Chip Jumper	3198	021	90020
3544	Res, 4K7, 1%, 1/8W, Metallized Glass	2322	734	64702	4402	Res, Zero ohm, Chip Jumper	3198	021	90020
3545	Res, 270K, 5%, 1/8W, Metallized Glass	2322	730	61274	4430	Res, Zero ohm, Chip Jumper	3198	021	90020
3548	Res, 15K, 5%, 1/10W, Metallized Glass	3198	021	51530	4500	Res, Zero ohm, Chip Jumper	3198	021	90020
3552	Res, 4K7, 5%, 1/10W, Metallized Glass	3198	021	54720	4601	Res, Zero ohm, Chip Jumper	3198	021	90020
3557	Res, 1k, 5%, Carbon	3198	021	51020	4613	Res, Zero ohm, Chip Jumper	3198	021	90020
3560	Res, 47 ohm, 5%, 1/6W, Carbon Film . . .	3198	011	04790	4614	Res, Zero ohm, Chip Jumper	3198	021	90020
3561	Res, 100 ohm, 5%, 1/6W, Carbon Film.	3198	011	01010	4615	Res, Zero ohm, 'Chip' Jumper	3198	021	90030
3562	Res, 12K, 5%, 1/10W, Metallized Glass	3198	021	51230	4617	Res, Zero ohm, Chip Jumper	3198	021	90020
3563	Res, 5K6, 5%, 1/10W, Metallized Glass	3198	021	55620	4619	Res, Zero ohm, Chip Jumper	3198	021	90020
3564	Res, 0R1, 5%, 1/3W, Metal Film	3198	012	21070	4622	Res, Zero ohm, Chip Jumper	3198	021	90020
3565	Res, 330 ohm, 5%, 1W, Metal Film	3198	012	13310	4623	Res, Zero ohm, Chip Jumper	3198	021	90020
3566	Res, 2K2, 5%, 1/10W, Metallized Glass	3198	021	52220	4691	Res, Zero ohm, Chip Jumper	3198	021	90020
3567	Res, 1K8, 5%, 1/16W, Metallized Glass	3198	021	31820	4692	Res, Zero ohm, Chip Jumper	3198	021	90020
3568	Res, 8K2, 5%, 1/10W, Metallized Glass	3198	021	58220	4693	Res, Zero ohm, Chip Jumper	3198	021	90020
3569	Res, 5K6, 5%, 1/10W, Metallized Glass	3198	021	55620	4696	Res, Zero ohm, Chip Jumper	3198	021	90020
3580	Res, 47K, 5%, 1/10W, Metallized Glass	3198	021	54730	4801	Res, Zero ohm, 'Chip' Jumper	3198	021	90030
3594	Res, 330 ohm, 5%, 1/10W, Metallized G lass	3198	021	53310	4831	Res, Zero ohm, 'Chip' Jumper	3198	021	90030
3595	Res, 220K, 5%, 1/10W, Metallized Glas	3198	021	52240	4833	Res, Zero ohm, 'Chip' Jumper	3198	021	90030
3596	Res, 220K, 5%, 1/10W, Metallized Glas	3198	021	52240	4835	Res, Zero ohm, Chip Jumper	3198	021	90020
3601	Res, 8K2, 5%, 1/6W, Carbon Film.	3198	011	08220	4901	Res, Zero ohm, 'Chip' Jumper	3198	021	90030
3603	Res, 100 ohm, 5%, 1/6W, Carbon Film.	3198	011	01010	4903	Res, Zero ohm, 'Chip' Jumper	3198	021	90030
3604	Res, 100 ohm, 5%, 1/6W, Carbon Film.	3198	011	01010	4982	Res, Zero ohm, Chip Jumper	3198	021	90020
3605	Res, 4K7, 5%, 1/10W, Metallized Glass	3198	021	54720	5001	Coil, 27u.	3198	018	22790
3606	Res, 2K2, 5%, 1/6W, Carbon Film.	3198	011	02220	5002	Coil, 820n	3198	018	18270
3607	Res, 2K2, 5%, 1/6W, Carbon Film.	3198	011	02220	5201	Coil, 6u8.	3198	018	16880
3608	Res, 100 ohm, 5%, 1/6W, Carbon Film.	3198	011	01010	5202	Coil, 10u.	3198	018	21090
3609	Res, 1K, 5%, 1/6W, Carbon Film	3198	011	01020	5204	Fixed, Inductor, 100MHZ, 80 ohm. . . .	3198	018	90020
3610	Res, 8K2, 5%, 1/6W, Carbon Film.	3198	011	08220	5205	Fixed, Inductor, 100MHZ, 80 ohm. . . .	3198	018	90020
3611	Res, 100 ohm, 5%, 1/16W, Metallized G lass	3198	021	31010	5206	Wire Jumper, 0.58MM.	3198	036	90010
3618	Res, 6K8, 5%, 1/6W, Carbon Film.	3198	011	06820	5241	Coil, 10u.	3198	018	21090
3622	Res, 100 ohm, 5%, 1/10W, Metallized G lass	3198	021	51010	5242	Coil, 10u.	3198	018	11090
3623	Res, 4K7, 5%, 1/16W, Metallized Glass	3198	021	34720	S 5445	Transformer, LOT SLOT, 1342.0043B Y.	2422	531	02506
3624	Res, 100 ohm, 5%, 1/6W, Carbon Film.	3198	011	01010	5451	Coil, 33u.	3198	018	73390
3625	Res, 100 ohm, 5%, 1/6W, Carbon Film.	3198	011	01010	5452	Fixed, Inductor, 100MHZ, 80 ohm. . . .	3198	018	90020
3626	Res, 4K7, 5%, 1/10W, Metallized Glass	3198	021	54720	5457	Coil, Linear Correction, 42u	2422	535	94865
3627	Res, 4K7, 5%, 1/10W, Metallized Glass	3198	021	54720	5461	Transformer, Signal Driver, SCI10015-0 0 B.	2422	531	02465
3628	Res, 10k, 5%, Carbon	3198	021	51030	5471	Coil, 3u3.	3198	018	73380
3630	Res, 2K2, 5%, 1/16W, Metallized Glass	3198	021	32220	5472	Coil, 3u3.	3198	018	23380
3632	Res, Zero ohm, Chip Jumper	3198	021	90020	5480	Fixed Inductor, 39u, 10%, LAL04. . . .	2422	535	97336
3634	Res, 100 ohm, 5%, 1/6W, Carbon Film.	3198	011	01010	S 5500	Filter, Mains, 5mH, 2A	2422	549	43432
3635	Res, 100 ohm, 5%, 1/6W, Carbon Film.	3198	011	01010	S 5520	Transformer, SMT Layer, SS39009-04 B	2422	531	02459
3636	Res, 100 ohm, 5%, 1/10W, Metallized G lass	3198	021	51010	5521	Fixed, Inductor, 100MHZ, 50R.	3198	018	90010
3638	Res, 75 ohm, 5%, 1/16W, Metallized Gl ass	3198	021	37590	5560	Fixed, Inductor, 100MHZ, 50R.	3198	018	90010
3639	Res, Zero ohm, Chip Jumper	3198	021	90020	5561	Coil, 27u.	3198	018	22790
3681	Res, 390 ohm, 5%, 1/16W, Metallized G lass	3198	021	33910	5562	Fixed, Inductor, 100MHZ, 50R.	3198	018	90010
3682	Res, 3K3, 5%, 1/10W, Metallized Glass	3198	021	53320	5564	Fixed, Inductor, 100MHZ, 50R.	3198	018	90010
3683	Res, 390 ohm, 5%, 1/16W, Metallized G lass	3198	021	33910	5602	Coil, 5u6.	3198	018	15680
3684	Res, 560 ohm, 5%, 1/16W, Metallized G lass	3198	021	35610	5603	Coil, 5u6.	3198	018	15680
3685	Res, 560 ohm, 5%, 1/16W, Metallized G lass	3198	021	35610	5604	Coil, 5u6.	3198	018	15680
3686	Res, 1K5, 5%, 1/16W, Metallized Glass	3198	021	31520	5831	Coil, 6u8.	3198	018	16880
3691	Res, 330 ohm, 5%, 1/16W, Metallized G lass	3198	021	33310	5832	Coil, 6u8.	3198	018	16880
3693	Res, 220 ohm, 5%, Carbon	3198	021	52210	5833	Coil, 12u.	3198	018	31290
3694	Res, 4K7, 5%, 1/10W, Metallized Glass	3198	021	54720	6001	Zener Diode, 33 volt	3198	010	23390
3801	Res, 220 ohm, 5%, 1/6W, Carbon Film.	3198	011	02210	6006	Diode, Signal, 1N4148.	3198	010	10010
3802	Res, 1K, 5%, 1/6W, Carbon Film	3198	011	01020	6007	Diode, Signal, 1N4148.	3198	010	10010
3809	Res, 75 ohm, 5%, 1/16W, Metallized Gl ass	3198	021	37590	6150	Diode, Signal, BAS316.	3198	010	10630
3810	Res, 75 ohm, 5%, 1/16W, Metallized Gl ass	3198	021	37590	6201	Diode, Signal, BAS316.	3198	010	10630
3831	Res, 47K, 5%, 1/16W, Metallized Glass	3198	021	34730	6202	Diode, Signal, BAS316.	3198	010	10630
3832	Res, 100 ohm, 5%, 1/6W, Carbon Film.	3198	011	01010	6206	Zener Diode, 6.8 volt.	3198	020	56880
3833	Res, 100 ohm, 5%, 1/6W, Carbon Film.	3198	011	01010	6445	Zener Diode, 10 volt	3198	020	51090
3836	Res, 1K, 5%, 1/16W, Metallized Glass	3198	021	31020	6447	Diode, Signal, 1N4148.	3198	010	10010
3837	Res, 100 ohm, 5%, 1/6W, Carbon Film.	3198	011	01010	6448	Zener Diode, 6.2 volt.	9331	668	30133
3838	Res, 1K, 5%, 1/16W, Metallized Glass	3198	021	31020	6449	Diode, Signal, BAV99	3198	010	10620
3839	Res, 100 ohm, 5%, 1/6W, Carbon Film.	3198	011	01010	6453	Zener Diode, 6.8 volt.	3198	020	56880
3843	Res, 2K2, 5%, 1/16W, Metallized Glass	3198	021	32220	6460	Diode, Rect, BY228/24.	9340	559	50112
3901	Res, 1K, 5%, 1/16W, Metallized Glass	3198	021	31020	6461	Diode, Rect, RGP30J-L7004.	9338	617	60682
3902	Res, 3K3, 5%, 1/16W, Metallized Glass	3198	021	33320	6462	Zener Diode, 9.1 volt	9331	177	80133
3903	Res, 3K3, 5%, 1/16W, Metallized Glass	3198	021	33320	6465	Diode, Signal, BAV21	3198	010	10070
3904	Res, 10K, 5%, 1/16W, Metallized Glass	3198	021	31030	6466	Diode, Signal, BAV21	3198	010	10070
					6467	Diode, Signal, BAS316.	3198	010	10630
					6468	Diode, Signal, BAS316.	3198	010	10630
					6469	Diode, Rect, BYD33J	9337	234	20133
					6470	Diode, Signal, BAV99	3198	010	10620
					6471	Zener Diode, 15 volt	3198	010	21590
					6481	Zener Diode, 5.6 volt.	3198	010	25680
					6482	Zener Diode, 9.1 volt.	9331	177	80133
					6483	Zener Diode, 33 volt	3198	010	23390
					6485	Diode, Rect, BYD33J	9337	234	20133
					6486	Diode, Rect, EGP20DL-5100.	9322	164	42682
					6487	Diode, Rect, BYD33D	9337	234	00133

S = Safety Part. Be sure to use exact replacement part.

27PS50B321 (continued)

6488	Diode, Rect, EGP20DL-5100	9322	164	42682	9500	Wire Jumper, 0.58MM.	3198	036	90010
6500	Diode, Bridge Rect, GBU4JL-7002	9322	132	55667	9501	Wire Jumper, 0.58MM.	3198	036	90010
6520	Diode, Rect, BYD33D	9337	234	00133	9503	Wire Jumper, 0.58MM.	3198	036	90010
6523	Diode, Signal, 1N4148	3198	010	10010	S 9506	Wire Jumper, 0.58MM.	3198	036	90010
6524	Diode, Rect, 1N5062	3198	010	10120	S 9507	Wire Jumper, 0.58MM.	3198	036	90010
6525	Diode, Rect, 1N5062	3198	010	10120	9510	Wire Jumper, 0.58MM.	3198	036	90010
6526	Zener Diode, 22 volt	3198	020	52290	9512	Wire Jumper, 0.58MM.	3198	036	90010
6540	Zener Diode, 6.2 volt.	9331	668	30133	9513	Wire Jumper, 0.58MM.	3198	036	90010
6541	Zener Diode, 9.1 volt.	9322	150	08685	9514	Wire Jumper, 0.58MM.	3198	036	90010
6560	Diode, Rect, BYV29X-500.	9340	555	59127	9515	Wire Jumper, 0.58MM.	3198	036	90010
6562	Diode, Rect, EGP20DL-5100	9322	164	42682	9516	Wire Jumper, 0.58MM.	3198	036	90010
6563	Diode, Signal, BAS316	3198	010	10630	9518	Wire Jumper, 0.58MM.	3198	036	90010
6565	Diode, Signal, BAV70	9331	849	10215	9520	Wire Jumper, 0.58MM.	3198	036	90010
6566	Diode, Signal, 1N4148	3198	010	10010	9521	Wire Jumper, 0.58MM.	3198	036	90010
6569	Diode, Signal, BAS316	3198	010	10630	9522	Wire Jumper, 0.58MM.	3198	036	90010
6570	Zener Diode, 6.8 volt.	3198	020	56880	9524	Wire Jumper, 0.58MM.	3198	036	90010
6580	Diode, Signal, BAS316	3198	010	10630	9525	Wire Jumper, 0.58MM.	3198	036	90010
6681	Diode Signal, IG BAT85	9336	247	60133	9528	Wire Jumper, 0.58MM.	3198	036	90010
6691	LED, VS LTL-10224WHCR.	9322	050	99682	9610	Wire Jumper, 0.58MM.	3198	036	90010
6692	IR, Receiver, TSOP1836UH3V	9322	127	54667	9611	Coil, 27u.	3198	018	22790
6831	Diode, Signal, 1N4148.	3198	010	10010	9612	Wire Jumper, 0.58MM.	3198	036	90010
6901	Res, Zero ohm, Chip Jumper	3198	021	90020	9613	Wire Jumper, 0.58MM.	3198	036	90010
7101	Transistor, NPN, BC847B.	3198	010	42030	9614	Wire Jumper, 0.58MM.	3198	036	90010
7102	Transistor, PNP, BC857B.	3198	010	42150	9615	Wire Jumper, 0.58MM.	3198	036	90010
7103	Transistor, NPN, BC847B.	3198	010	42030	9616	Wire Jumper, 0.58MM.	3198	036	90010
7200	IC, SM TDA9587H/NL/3	9352	716	32557	9617	Wire Jumper, 0.58MM.	3198	036	90010
7201	Transistor, NPN, BC847B.	3198	010	42030	9618	Wire Jumper, 0.58MM.	3198	036	90010
7204	Transistor, PNP, BC857B.	3198	010	42150	9619	Wire Jumper, 0.58MM.	3198	036	90010
7205	Transistor, PNP, BC857B.	3198	010	42150	9620	Wire Jumper, 0.58MM.	3198	036	90010
7441	Transistor, PNP, BC857B.	3198	010	42150	9621	Wire Jumper, 0.58MM.	3198	036	90010
7443	Transistor, PNP, BC557B.	3198	020	40110	9622	Wire Jumper, 0.58MM.	3198	036	90010
7450	Transistor, PNP, PDTA114ET	3198	010	44010	9623	Wire Jumper, 0.58MM.	3198	036	90010
7460	Transistor, NPN, BU4508DX.	9340	550	92127	9624	Wire Jumper, 0.58MM.	3198	036	90010
7461	Transistor, NPN, BC337-25.	3198	020	43530	9625	Wire Jumper, 0.58MM.	3198	036	90010
7462	Transistor, NPN, PDTTC143ZT	9340	547	00215	9626	Wire Jumper, 0.58MM.	3198	036	90010
7463	Transistor, PNP, BC327-25.	3198	020	43430	9627	Wire Jumper, 0.58MM.	3198	036	90010
7471	IC, TDA8359J/N2.	9352	701	64112	9628	Wire Jumper, 0.58MM.	3198	036	90010
7480	Transistor, NPN, BD135	3198	020	41010	9629	Wire Jumper, 0.58MM.	3198	036	90010
7482	Transistor, NPN, BD135	3198	020	41010	9630	Wire Jumper, 0.58MM.	3198	036	90010
S 7515	Optical Coupler, TCET1104(G)	9322	175	72667	9631	Wire Jumper, 0.58MM.	3198	036	90010
7520	IC, TEA1507P/NL.	9352	673	56112	9632	Wire Jumper, 0.58MM.	3198	036	90010
7521	FET Power STP8NC50FP	9322	160	72687	9633	Wire Jumper, 0.58MM.	3198	036	90010
7522	Transistor, NPN, BC847B(COL)	3198	010	42030	9634	Wire Jumper, 0.58MM.	3198	036	90010
7540	Transistor, NPN, BC547B(COL)	3198	020	40030	9637	Wire Jumper, 0.58MM.	3198	036	90010
7541	Transistor, NPN, PDTTC114ET	9340	310	10215	9638	Wire Jumper, 0.58MM.	3198	036	90010
7542	Transistor, PNP, BC857B(COL)	3198	010	42150	9639	Wire Jumper, 0.58MM.	3198	036	90010
7560	IC, L78L33ACZ.	9322	134	92676	9640	Wire Jumper, 0.58MM.	3198	036	90010
7561	Transistor, NPN, PDTTC143ZT	9340	547	00215	9641	Wire Jumper, 0.58MM.	3198	036	90010
7562	Transistor, PNP, BC857B(COL)	3198	010	42150	9642	Wire Jumper, 0.58MM.	3198	036	90010
7564	Transistor, PNP, BC857B(COL)	3198	010	42150	9643	Wire Jumper, 0.58MM.	3198	036	90010
7580	Transistor, PNP, BC857B(COL)	3198	010	42150	9644	Wire Jumper, 0.58MM.	3198	036	90010
7602	IC, M24C08-WBN6.	9322	154	38682	9645	Wire Jumper, 0.58MM.	3198	036	90010
7801	IC, SM HEF4052BT	9333	729	50653	9646	Wire Jumper, 0.58MM.	3198	036	90010
7802	IC, SM HEF4052BT	9333	729	60653	9648	Wire Jumper, 0.58MM.	3198	036	90010
7831	IC, MSP3445G-PO-B8	9322	160	81682	9650	Wire Jumper, 0.58MM.	3198	036	90010
7901	IC, AN7522N.	9322	158	65667	9654	Wire Jumper, 0.58MM.	3198	036	90010
9001	Wire Jumper, 0.58MM.	3198	036	90010	9655	Wire Jumper, 0.58MM.	3198	036	90010
9101	Wire Jumper, 0.58MM.	3198	036	90010	9656	Wire Jumper, 0.58MM.	3198	036	90010
9102	Wire Jumper, 0.58MM.	3198	036	90010	9657	Wire Jumper, 0.58MM.	3198	036	90010
9103	Wire Jumper, 0.58MM.	3198	036	90010	9658	Wire Jumper, 0.58MM.	3198	036	90010
9171	Wire Jumper, 0.58MM.	3198	036	90010	9659	Wire Jumper, 0.58MM.	3198	036	90010
9172	Wire Jumper, 0.58MM.	3198	036	90010	9660	Wire Jumper, 0.58MM.	3198	036	90010
9173	Wire Jumper, 0.58MM.	3198	036	90010	9661	Wire Jumper, 0.58MM.	3198	036	90010
9175	Wire Jumper, 0.58MM.	3198	036	90010	9662	Wire Jumper, 0.58MM.	3198	036	90010
9176	Wire Jumper, 0.58MM.	3198	036	90010	9663	Wire Jumper, 0.58MM.	3198	036	90010
9178	Wire Jumper, 0.58MM.	3198	036	90010	9664	Wire Jumper, 0.58MM.	3198	036	90010
9179	Wire Jumper, 0.58MM.	3198	036	90010	9665	Wire Jumper, 0.58MM.	3198	036	90010
9181	Wire Jumper, 0.58MM.	3198	036	90010	9666	Wire Jumper, 0.58MM.	3198	036	90010
9182	Wire Jumper, 0.58MM.	3198	036	90010	9668	Wire Jumper, 0.58MM.	3198	036	90010
9183	Wire Jumper, 0.58MM.	3198	036	90010	9669	Wire Jumper, 0.58MM.	3198	036	90010
9192	Wire Jumper, 0.58MM.	3198	036	90010	9670	Wire Jumper, 0.58MM.	3198	036	90010
9193	Wire Jumper, 0.58MM.	3198	036	90010	9672	Wire Jumper, 0.58MM.	3198	036	90010
9406	Wire Jumper, 0.58MM.	3198	036	90010	9674	Wire Jumper, 0.58MM.	3198	036	90010
9407	Wire Jumper, 0.58MM.	3198	036	90010	9675	Wire Jumper, 0.58MM.	3198	036	90010
9408	Wire Jumper, 0.58MM.	3198	036	90010	9676	Wire Jumper, 0.58MM.	3198	036	90010
9409	Wire Jumper, 0.58MM.	3198	036	90010	9678	Wire Jumper, 0.58MM.	3198	036	90010
9410	Wire Jumper, 0.58MM.	3198	036	90010	9679	Wire Jumper, 0.58MM.	3198	036	90010
9411	Wire Jumper, 0.58MM.	3198	036	90010	9680	Wire Jumper, 0.58MM.	3198	036	90010
9412	Wire Jumper, 0.58MM.	3198	036	90010	9683	Wire Jumper, 0.58MM.	3198	036	90010
9413	Wire Jumper, 0.58MM.	3198	036	90010	9685	Wire Jumper, 0.58MM.	3198	036	90010
9415	Wire Jumper, 0.58MM.	3198	036	90010	9686	Wire Jumper, 0.58MM.	3198	036	90010
9416	Wire Jumper, 0.58MM.	3198	036	90010	9687	Wire Jumper, 0.58MM.	3198	036	90010
9417	Wire Jumper, 0.58MM.	3198	036	90010	9688	Wire Jumper, 0.58MM.	3198	036	90010
9418	Wire Jumper, 0.58MM.	3198	036	90010	9689	Wire Jumper, 0.58MM.	3198	036	90010
9419	Wire Jumper, 0.58MM.	3198	036	90010	9690	Wire Jumper, 0.58MM.	3198	036	90010
9421	Wire Jumper, 0.58MM.	3198	036	90010	9691	Wire Jumper, 0.58MM.	3198	036	90010
9422	Wire Jumper, 0.58MM.	3198	036	90010	9694	Wire Jumper, 0.58MM.	3198	036	90010
9423	Wire Jumper, 0.58MM.	3198	036	90010	9695	Wire Jumper, 0.58MM.	3198	036	90010
9425	Wire Jumper, 0.58MM.	3198	036	90010	9697	Wire Jumper, 0.58MM.	3198	036	90010
9427	Wire Jumper, 0.58MM.	3198	036	90010	9698	Wire Jumper, 0.58MM.	3198	036	90010
9453	Wire Jumper, 0.58MM.	3198	036	90010	9699	Wire Jumper, 0.58MM.	3198	036	90010
9460	Wire Jumper, 0.58MM.	3198	036	90010	9821	Wire Jumper, 0.58MM.	3198	036	90010

S = Safety Part Be sure to use exact replacement part.

27PS50B321 (continued)

9822	Wire Jumper, 0.58MM.	3198	036	90010	0250	3 Pin Cinch Socket	2422	026	04815
9824	Wire Jumper, 0.58MM.	3198	036	90010	0251	3 Pin Connector.	2412	020	00725
9825	Wire Jumper, 0.58MM.	3198	036	90010	0253	6 Pin Connector.	2422	025	16382
9827	Wire Jumper, 0.58MM.	3198	036	90010	0254	5 Pin Connector.	2422	025	12481
9828	Wire Jumper, 0.58MM.	3198	036	90010	0255	4 Pin Connector.	2422	025	12479
9829	Wire Jumper, 0.58MM.	3198	036	90010	2171	Cap, 470p, 10%, 50v, Ceramic	3198	019	14710
9830	Wire Jumper, 0.58MM.	3198	036	90010	2172	Cap, 470p, 10%, 50v, Ceramic	3198	019	14710
9831	Wire Jumper, 0.58MM.	3198	036	90010	2173	Cap, 470p, 10%, 50v, Ceramic	3198	019	14710
9832	Wire Jumper, 0.58MM.	3198	036	90010	2174	Cap, 470p, 10%, 50v, Ceramic	3198	019	14710
9834	Wire Jumper, 0.58MM.	3198	036	90010	2176	Cap, 470p, 10%, 50v, Ceramic	3198	019	14710
9835	Wire Jumper, 0.58MM.	3198	036	90010	2177	Cap, 10u, 20%, 50v, Electrolytic	3198	025	51090
9836	Wire Jumper, 0.58MM.	3198	036	90010	2178	Cap, 470p, 10%, 50v, Ceramic	3198	019	14710
9837	Wire Jumper, 0.58MM.	3198	036	90010	2179	Cap, 10u, 20%, 50v, Electrolytic	3198	025	51090
9838	Wire Jumper, 0.58MM.	3198	036	90010	3150	Res, 47K, 5%, 1/6W, Carbon Film.	3198	011	04730
9839	Wire Jumper, 0.58MM.	3198	036	90010	3151	Res, 150 ohm, 5%, 1/6W, Carbon Film.	3198	011	01510
9840	Wire Jumper, 0.58MM.	3198	036	90010	3152	Res, 47K, 5%, 1/6W, Carbon Film.	3198	011	04730
9841	Wire Jumper, 0.58MM.	3198	036	90010	3153	Res, 150 ohm, 5%, 1/6W, Carbon Film.	3198	011	01510
9842	Wire Jumper, 0.58MM.	3198	036	90010	3156	Res, 120 ohm, 5%, 1/6W, Carbon Film.	3198	011	01210
9843	Wire Jumper, 0.58MM.	3198	036	90010	3157	Res, 120 ohm, 5%, 1/6W, Carbon Film.	3198	011	01210
9844	Wire Jumper, 0.58MM.	3198	036	90010	6161	Zener Diode, 6.8 volt.	3198	010	26880
9845	Wire Jumper, 0.58MM.	3198	036	90010	9155	Jumper	3198	036	90010
9846	Wire Jumper, 0.58MM.	3198	036	90010					
9847	Wire Jumper, 0.58MM.	3198	036	90010					
9849	Wire Jumper, 0.58MM.	3198	036	90010					
9851	Wire Jumper, 0.58MM.	3198	036	90010					
9901	Wire Jumper, 0.58MM.	3198	036	90010					
9902	Wire Jumper, 0.58MM.	3198	036	90010					
9903	Wire Jumper, 0.58MM.	3198	036	90010					
9904	Wire Jumper, 0.58MM.	3198	036	90010					
9905	Wire Jumper, 0.58MM.	3198	036	90010					
9911	Wire Jumper, 0.58MM.	3198	036	90010					
9912	Wire Jumper, 0.58MM.	3198	036	90010					
9913	Wire Jumper, 0.58MM.	3198	036	90010					
9914	Wire Jumper, 0.58MM.	3198	036	90010					
9915	Wire Jumper, 0.58MM.	3198	036	90010					
9916	Wire Jumper, 0.58MM.	3198	036	90010					
9918	Wire Jumper, 0.58MM.	3198	036	90010					
9919	Wire Jumper, 0.58MM.	3198	036	90010					
9920	Wire Jumper, 0.58MM.	3198	036	90010					
9921	Wire Jumper, 0.58MM.	3198	036	90010					
9922	Wire Jumper, 0.58MM.	3198	036	90010					
9991	Wire Jumper, 0.58MM.	3198	036	90010					
9994	Wire Jumper, 0.58MM.	3198	036	90010					
9996	Wire Jumper, 0.58MM.	3198	036	90010					
9998	Wire Jumper, 0.58MM.	3198	036	90010					
CBA	Main Chassis Assembly.	3139	177	27031					

CRT Panel Parts (Part of Main Chassis)

	CRT Panel Parts (Part of Main Chassis								
0244	Connector, 5 Pin	2422	025	04853					
0245	Connector, 6 Pin	2422	025	04854					
S 0254	CRT Socket, 9 Pin.	2422	500	80076					
2330	Cap, 100n, 10%, 250v, Metallized Poly ester.	2222	368	90177					
2340	Cap, 10u, 20%, 250v, Electrolytic.	2020	012	93495					
2341	Cap, 3n3, 10%, 500v, Ceramic	3198	019	43320					
2342	Cap, 560p, 5%, 50v, Ceramic.	3198	016	05610					
2343	Cap, 3n3, 10%, 2000v, Ceramic.	2020	558	90529					
2344	Cap, 100n, +80/-20%, 25v, Ceramic.	3198	023	21040					
2345	Cap, 1n, 10%, 500v, Ceramic.	3198	019	41020					
3331	Res, 100 ohm, 5%, 1/6W, Carbon Film.	3198	011	01010					
3332	Res, 1K, 20%, 1/2W, Carbon Film.	3198	013	01020					
3333	Res, 100 ohm, 5%, 1/6W, Carbon Film.	3198	011	01010					
3334	Res, 1K, 20%, 1/2W, Carbon Film.	3198	013	01020					
3335	Res, 100 ohm, 5%, 1/6W, Carbon Film.	3198	011	01010					
3336	Res, 1K, 20%, 1/2W, Carbon Film.	3198	013	01020					
S 3340	Res, 10 ohm, 5%, 1/2W, Metal Film.	2306	207	03109					
S 3341	Res, 1 ohm, 5%, 1/3W, Metal Film.	2306	204	03108					
S 3342	Res, 1 ohm, 5%, 1/3W, Metal Film.	2306	204	03108					
3343	Res, 1K5, 20%, 1/2W, Carbon Film.	3198	013	01520					
3344	Res, 22 ohm, 5%, 1/6W, Carbon Film.	3198	011	02290					
3345	VDR DC 1MA/ 50V S MAX 115V A	2322	593	13507					
3346	Res, 22 ohm, 5%, 1/6W, Carbon Film.	3198	011	02290					
3347	Res, Zero ohm, Chip Jumper	3198	021	90020					
3350	Res, Zero ohm, Chip Jumper	3198	021	90020					
3353	Res, Zero ohm, Chip Jumper	3198	021	90020					
5342	Coil, 22u.	2422	535	97333					
6331	Diode, Signal, BAV21	3198	010	10070					
6332	Diode, Signal, BAS316.	3198	010	10630					
6333	Diode, Signal, BAV21	3198	010	10070					
6335	Diode, Signal, BAV21	3198	010	10070					
7330	IC, TDA6107Q/N2.	9352	576	50112					
9311	Wire Jumper, 0.58MM.	3198	036	90010					
9341	Wire Jumper, 0.58MM.	3198	036	90010					
9342	Wire Jumper, 0.58MM.	3198	036	90010					
9343	Wire Jumper, 0.58MM.	3198	036	90010					

Side AV Panel & Headphone Parts - 313912727471

	Side AV Panel & Headphone Parts - 313								
	912727471								
CBA	Side AV Panel & Headphone Assembly	3139	127	27471					
0232	1 Pin Headphone Socket	2422	026	04747					

S = Safety Part Be sure to use exact replacement part.

27PS55S321 - Manual no. 7629

Cabinet & Accessory Parts

S	AC01	AC Cord	3135	010	03831	2214	Cap, 22n, 10%, 50v, Ceramic	3198	017	02230
	AC03	Battery, 1.5V, 2-PACK	9299	000	65263	2215	Cap, 22n, 10%, 50v, Ceramic	3198	017	02230
	AC04	Cabinet Back Assembly	3121	237	52451	2216	Cap, 1000u, 20%, 16v, Electrolytic	3198	026	21020
	AC09	Clip, Anode Lead	3135	014	04471	2217	Cap, 22n, 10%, 25v, Ceramic	3198	017	32230
S	AC10	CRT, A68AJB82X11	9301	891	90631	2219	Cap, 220n, +80/-20%, 25v, Ceramic	3198	023	22240
	AC11	Customer Control Buttons	3139	137	83131	2220	Cap, 470n, 10%, 50v, Polyester	3198	014	04740
S	AC12	Degaussing Coil	2422	549	43967	2221	Cap, 22n, 10%, 50v, Ceramic	3198	017	02230
	AC13	Holder, Degaussing Coil (4 Used)	3135	013	01641	2241	Cap, 1n5, 10%, 50v, Ceramic	3198	017	31520
	AC16	Owner's Manual	3121	235	20101	2242	Cap, 1u, +80/-20%, 10v, Ceramic	3198	017	41050
	AC16b	Quick Use Guide	3121	233	40901	2243	Cap, 2n2, 10%, 50v, Ceramic	3198	017	02220
REMOTE		Remote Transmitter, RC19036001/01	3139	228	86491	2244	Cap, 100n, 5%, 63v, Metallized Polyester	2222	370	76104
	AC20	Cabinet Front Assembly f/27PS55S321	3121	237	51791	2245	Cap, 220n, +80/-20%, 16v, Ceramic	3198	023	22240
	AC20a	Cabinet Front	3139	137	83171	2247	Cap, 1000u, 20%, 16v, Electrolytic	3198	026	21020
	AC20b	Chassis Guide	3139	124	31381	2248	Cap, 22n, 10%, 50v, Ceramic	3198	017	02230
	AC20d	Light Guide	3139	124	35111	2249	Cap, 22n, 10%, 25v, Ceramic	3198	017	32230
	AC20f	Power Button	3139	137	83141	2250	Cap, 2u2, 20%, 50v, Electrolytic	3198	025	52280
	AC20j	Speaker, Full Range, 16ohm, 5W (2 Use d)	2422	264	00411	2252	Cap, 1n, 5%, 25v, Ceramic	3198	016	31020
S	AC21	Deflection Yoke	3313	203	01242	2253	Cap, 1n, 5%, 25v, Ceramic	3198	016	31020

Main Chassis Assembly Parts

	0127	Socket Fuse	2422	088	00271	2443	Res, Zero ohm, Chip Jumper	3198	021	90020
S	0211	Connector, 2 Pin	2422	025	16269	2444	Cap, 220u, 20%, 25v, Electrolytic	3198	025	32210
S	0212	Connector, 2 Pin	2422	025	16375	2445	Cap, 1u, 20%, 50v, Electrolytic	3198	025	51080
	0219	Connector, 6 Pin	2422	025	12482	2450	Cap, 47u, 20%, 160v, Electrolytic	2020	021	91139
	0220	Connector, 5 Pin	2422	025	04853	2451	Cap, 15n, 10%, 50v, Polyester	3198	014	01530
S	0221	Connector, 4 Pin	2422	025	15503	2452	Cap, 180p, 5%, 50v, Ceramic	3198	016	01810
S	0222	Connector, 2 Pin	2422	025	10646	2455	Cap, 47u, 20%, 25v, Electrolytic	3198	025	34790
	0223	Socket, Cinch, 9 Pin	2422	026	05236	2457	Cap, 470n, 5%, 250v, Polypropylene	2222	479	90023
	0225	Socket, MDIN, 10 Pin	2422	026	04926	2458	Cap, 2u2, 20%, 100v, Electrolytic	2020	021	91331
	0243	Connector, 6 Pin	2422	025	04854	2459	Cap, 680p, 10%, 500v, Ceramic	3198	019	46810
	0246	Connector, 5 Pin	2422	025	12481	2460	Cap, 100p, 5%, 50v, Ceramic	3198	016	01010
	0267	Connector, 3 Pin	2412	020	00725	2462	Cap, 330n, 10%, 250v, Polypropylene	2022	333	00084
	0269	Socket, Cinch, 3 Pin	2422	026	05182	2463	Cap, 680p, 10%, 2kV, Ceramic	2020	558	90485
	1000	Tuner, V+U PLL	2422	542	90098	2465	Cap, 1.2nF, 10%, 2kV, Ceramic	2020	558	90488
	1002	SAW Filter, 45MHZ75, OFWMI1971M L	2422	549	44518	2471	Cap, 11n, 5%, 1600v, Polypropylene	2222	375	90155
	1200	Filter, Ceramic, 4MHZ5	2422	549	40807	2472	Cap, 100n, 10%, 50v, Polyester	3198	014	01040
S	1500	Fuse, 4A, 250V, IEC	2422	086	10914	2473	Cap, 150n, 10%, 63v, Metallized Polyester	2222	365	75154
S	1515	Relay, 1P, 12V	2422	132	07444	2474	Cap, 100n, 10%, 63v, Metallized Polyester	2222	365	75104
	1600	Tact Switch	2422	128	02742	2475	Cap, 2n2, 10%, 50v, Ceramic	3198	017	02220
	1601	Tact Switch	2422	128	02742	2476	Cap, 2n2, 10%, 50v, Ceramic	3198	017	02220
	1602	Tact Switch	2422	128	02742	2477	Cap, 4n7, 10%, 50v, Ceramic	3198	017	04720
	1603	Tact Switch	2422	128	02742	2480	Cap, 47u, 20%, 25v, Electrolytic	2020	021	90586
	1606	Tact Switch	2422	128	02742	2481	Cap, 470p, 10%, 500v, Ceramic	3198	019	44710
	1660	Crystal Resonator, 12 MHz, 20P, HC49/U A	2422	543	01203	2482	Cap, 68n, 10%, 250v, Polyester	2222	347	90234
	1831	Crystal Resonator, 18MHZ432 12P HC49/U A	2422	543	00842	2485	Cap, 4u7, 20%, 250v, Electrolytic	2020	021	90856
	2004	Cap, 47n, 10%, 16v, Ceramic	3198	017	34730	2486	Cap, 470u, 20%, 16v, Electrolytic	2020	021	91577
	2005	Cap, 10u, 20%, 50v, Electrolytic	3198	025	51090	2487	Cap, 47u, 20%, 50v, Electrolytic	2020	021	90854
	2006	Cap, 470u, 20%, 16v, Electrolytic	3198	025	24710	2488	Cap, 1000u, 20%, 16v, Electrolytic	2020	021	91049
	2007	Cap, 100n, +80/-20%, 25v, Ceramic	3198	023	41040	2489	Cap, 470u, 20%, 16v, Electrolytic	2020	021	91577
	2008	Cap, 100u, 20%, 25v, Electrolytic	3198	025	31010	2491	Cap, 1n, 10%, 500v, Ceramic	3198	019	41020
	2009	Cap, 22n, 10%, 25v, Ceramic	3198	017	32230	S 2500	Cap, 470n, 20%, 275v, Metallized Polypropylene	2222	336	29148
	2101	Cap, 470n, +80/-20%, 16v, Ceramic	3198	017	24740	2501	Cap, 2n2, 10%, 1000v, Ceramic	3198	019	52220
	2102	Cap, 22p, 5%, 50v, Ceramic	3198	016	32290	2502	Cap, 2n2, 10%, 1000v, Ceramic	3198	019	52220
	2103	Cap, 330p, 5%, 50v, Ceramic	3198	016	33310	2503	Cap, 470u, 20%, 200v, Electrolytic	2020	024	90626
	2104	Cap, 330p, 5%, 50v, Ceramic	3198	016	33310	2505	Cap, 2n2, 10%, 1000v, Ceramic	3198	019	52220
	2105	Cap, 10u, 20%, 50v, Electrolytic	3198	025	51090	2507	Cap, 470p, 10%, 50v, Ceramic	3198	017	04710
	2106	Cap, 10u, 20%, 50v, Electrolytic	3198	025	51090	2508	Cap, 470p, 10%, 1000v, Ceramic	3198	019	64710
	2111	Cap, 22p, 5%, 50v, Ceramic	3198	016	32290	S 2515	Cap, 1n5, 20%, v, Ceramic	2020	554	90128
	2112	Cap, 22p, 5%, 50v, Ceramic	3198	016	32290	2520	Cap, 100n, 10%, 16v, Ceramic	3198	017	01040
	2113	Cap, 22p, 5%, 50v, Ceramic	3198	016	32290	2521	Cap, 22u, 20%, 50v, Electrolytic	3198	025	52290
	2121	Cap, 22p, 5%, 50v, Ceramic	3198	016	32290	2522	Cap, 100n, 10%, 16v, Ceramic	3198	017	01040
	2122	Cap, 330p, 5%, 50v, Ceramic	3198	016	33310	2523	Cap, 1n5, 10%, 2000v, Ceramic	2020	558	90489
	2123	Cap, 2u2, +80/-20%, 10v, Ceramic	3198	017	22250	2525	Cap, 470p, 10%, 50v, Ceramic	3198	017	04710
	2124	Cap, 330p, 5%, 50v, Ceramic	3198	016	33310	2527	Cap, 2n2, 10%, 50v, Ceramic	3198	017	02220
	2125	Cap, 2u2, +80/-20%, 10v, Ceramic	3198	017	22250	2528	Cap, 1n, 10%, 50v, Ceramic	3198	017	01020
	2131	Cap, 330p, 5%, 50v, Ceramic	3198	016	33310	2540	Cap, 10n, 10%, 50v, Ceramic	3198	017	01030
	2132	Cap, 2u2, +80/-20%, 10v, Ceramic	3198	017	22250	2541	Cap, 10n, 10%, 50v, Ceramic	3198	017	01030
	2133	Cap, 330p, 5%, 50v, Ceramic	3198	016	33310	2560	Cap, 680p, 10%, 1000v, Ceramic	2020	558	90472
	2134	Cap, 2u2, +80/-20%, 10v, Ceramic	3198	017	22250	2561	Cap, 100u, 20%, 160v, Electrolytic	2020	021	91654
	2135	Cap, 22p, 5%, 50v, Ceramic	3198	016	32290	2562	Cap, 1n, 10%, 50v, Ceramic	3198	019	11020
	2136	Cap, 22p, 5%, 50v, Ceramic	3198	016	32290	2563	Cap, 100n, 10%, 50v, Polyester	3198	014	01040
	2141	Cap, 330p, 5%, 50v, Ceramic	3198	016	33310	2564	Cap, 2u2, 20%, 25v, Electrolytic	2020	021	91353
	2143	Cap, 100n, +80/-20%, 25v, Ceramic	3198	023	41040	2566	Cap, 470u, 20%, 6.3v, Electrolytic	3198	025	04710
	2150	Cap, 150n, 10%, 16v, Ceramic	2238	780	15652	2567	Cap, 47u, 20%, 25v, Electrolytic	3198	025	34790
	2181	Cap, 22p, 5%, 50v, Ceramic	3198	016	32290	2568	Cap, 1u, 20%, 50v, Electrolytic	3198	025	51080
	2184	Cap, 2u2, +80/-20%, 10v, Ceramic	3198	017	22250	2580	Cap, 47u, 20%, 16v, Electrolytic	3198	028	24790
	2201	Cap, 100n, +80/-20%, 25v, Ceramic	3198	023	21040	2581	Cap, 22u, 20%, 50v, Electrolytic	3198	025	52290
	2202	Cap, 100n, +80/-20%, 25v, Ceramic	3198	023	21040	2601	Cap, 220n, +80/-20%, 25v, Ceramic	3198	023	22240
	2203	Cap, 100n, +80/-20%, 25v, Ceramic	3198	023	41040	2602	Cap, 100p, 5%, 50v, Ceramic	3198	016	01010
	2204	Cap, 100n, +80/-20%, 25v, Ceramic	3198	023	41040	2606	Cap, 1n, 10%, 50v, Ceramic	3198	017	01020
	2205	Cap, 220n, +80/-20%, 25v, Ceramic	3198	023	22240	2607	Cap, 33p, 5%, 50v, Ceramic	3198	016	33390
	2208	Cap, 100n, +80/-20%, 25v, Ceramic	3198	023	41040	2608	Cap, 1u, +80/-20%, 10v, Ceramic	3198	017	41050
	2209	Cap, 4u7, 20%, 50v, Electrolytic	3198	025	54780	2609	Cap, 33p, 5%, 50v, Ceramic	3198	016	33390
	2210	Cap, 1u, +80/-20%, 16v, Ceramic	3198	017	21050	2611	Cap, 1u, +80/-20%, 10v, Ceramic	3198	017	41050
	2211	Cap, 470n, +80/-20%, 10v, Ceramic	3198	017	44740	2612	Cap, 68p, 5%, 50v, Ceramic	3198	016	06890
	2213	Cap, 22n, 10%, 50v, Ceramic	3198	017	02230	2613	Cap, 68p, 5%, 50v, Ceramic	3198	016	

27PS55S321 (continued)

2619	Cap, 1u, +80/-20%, 16v, Ceramic . . .	3198 017 21050	3209	Res, 68 ohm, 5%, 1/16W, Metallized Gl	
2691	Cap, 10u, 20%, 50v, Electrolytic . . .	3198 025 51090		ass.	3198 021 36890
2801	Cap, 22u, 20%, 50v, Electrolytic . . .	3198 025 52290	3212	Res, 470 ohm, 5%, 1/16W, Metallized G	
2802	Cap, 220n, +80/-20%, 16v, Ceramic . . .	3198 017 42240		lass	3198 021 34710
2804	Cap, 2u2, +80/-20%, 10v, Ceramic . . .	3198 017 22250	3213	Res, 560 ohm, 5%, 1/6W, Carbon Film.	3198 011 05610
2805	Res, Zero ohm, Chip Jumper	3198 021 90020	3217	Res, 330K, 5%, 1/16W, Metallized Glass	3198 021 33340
2806	Res, Zero ohm, 'Chip' Jumper	3198 021 90030	3218	Res, 82K, 5%, 1/16W, Metallized Glass	3198 021 38230
2831	Cap, 1p, 25%, 50v, Ceramic	3198 016 31080	3219	Res, 2K2, 5%, 1/16W, Metallized Glass	3198 021 32220
2832	Cap, 1p, 25%, 50v, Ceramic	3198 016 31080	3220	Res, 100 ohm, 5%, 1/6W, Carbon Film.	3198 011 01010
2833	Cap, 47p, 5%, 50v, Ceramic	3198 016 34790	3221	Res, 560 ohm, 5%, 1/6W, Carbon Film.	3198 011 05610
2834	Cap, 470p, 5%, 50v, Ceramic	3198 016 34710	3222	Res, 100 ohm, 5%, 1/6W, Carbon Film.	3198 011 01010
2835	Cap, 220p, 5%, 50v, Ceramic	3198 016 32210	3226	Res, 560 ohm, 5%, 1/16W, Metallized G	
2836	Cap, 1n5, 10%, 50v, Ceramic	3198 017 31520		lass	3198 021 35610
2837	Cap, 4u7, 20%, 50v, Electrolytic	3198 025 54780	3235	Res, 100 ohm, 5%, 1/6W, Carbon Film.	3198 011 01010
2840	Cap, 100n, +80/-20%, 25v, Ceramic	3198 023 41040	3241	Res, 22k, 5%, Carbon	3198 021 52230
2841	Cap, 10u, 20%, 50v, Electrolytic	3198 025 51090	3242	Res, 12K, 5%, 1/10W, Metallized Glass	3198 021 51230
2842	Cap, 100n, +80/-20%, 25v, Ceramic	3198 023 41040	3244	Res, 820 ohm, 5%, 1/6W, Carbon Film.	3198 011 08210
2843	Cap, 10u, 20%, 50v, Electrolytic	3198 025 51090	3245	Res, 39K, 1%, 1/10W, Metallized Glass	2120 108 92633
2844	Cap, 10u, 20%, 50v, Electrolytic	3198 025 51090	3246	Res, 10k, 5%, Carbon	3198 021 51030
2845	Cap, 100n, +80/-20%, 25v, Ceramic	3198 023 41040	3247	Res, 680K, 5%, 1/10W, Metallized Glas	3198 021 56840
2846	Cap, 100u, 20%, 25v, Electrolytic	3198 025 51010	3248	Res, 33K, 5%, 1/10W, Metallized Glass	3198 021 53330
2849	Cap, 1n, 5%, 25v, Ceramic	3198 016 31020	3249	Res, 820 ohm, 5%, 1/6W, Carbon Film.	3198 011 08210
2850	Cap, 1n, 5%, 25v, Ceramic	3198 016 31020	3250	Res, 8K2, 5%, 1/6W, Carbon Film.	3198 011 08220
2851	Res, Zero ohm, Chip Jumper	3198 021 90020	3251	Res, 100 ohm, 5%, 1/6W, Carbon Film.	3198 011 01010
2852	Cap, 1n, 5%, 25v, Ceramic	3198 016 31020	3256	Res, 1k, 5%, Carbon.	3198 021 51020
2853	Res, Zero ohm, Chip Jumper	3198 021 90020	3257	Res, 10M, 5%, 1/10W, Metallized Glass	3198 021 51060
2854	Cap, 1n, 5%, 25v, Ceramic	3198 016 31020	3258	Res, 100K, 5%, 1/10W, Metallized Glas	3198 021 51040
2855	Cap, 33p, 5%, 50v, Ceramic	3198 016 33390	3259	Res, 470K, 5%, 1/10W, Metallized Glas	3198 021 54740
2856	Cap, 47p, 5%, 50v, Ceramic	3198 016 34790	3441	Res, 100 ohm, 5%, 1/10W, Metallized G	
2857	Cap, 150p, 5%, 50v, Ceramic	3198 016 31510		lass	3198 021 51010
2860	Cap, 180p, 5%, 50v, Ceramic	3198 016 31810	3442	Res, Zero ohm, Chip Jumper	3198 021 90020
2894	Cap, 220p, 5%, 50v, Ceramic	3198 016 32210	3443	Res, 1M, 5%, 1/10W, Metallized Glass	3198 021 51050
2895	Cap, 560p, 5%, 25v, Ceramic	3198 016 35610	3445	Res, 15K, 5%, 1/6W, Carbon Film.	3198 011 01530
2897	Cap, 390p, 5%, 50v, Ceramic	3198 016 33910	3446	Res, 5K6, 5%, 1/6W, Carbon Film.	3198 011 05620
2898	Cap, 10n, 10%, 50v, Ceramic	3198 017 31030	3447	Res, 180 ohm, 5%, 1/6W, Carbon Film.	3198 011 01810
2902	Cap, 1000u, 20%, 16v, Electrolytic	3198 026 21020	3448	Res, 820 ohm, 5%, 1/6W, Carbon Film.	3198 011 08210
2903	Cap, 1u, 20%, 50v, Electrolytic	3198 025 51080	3449	Res, 68 ohm, 5%, 1/6W, Carbon Film	3198 011 06890
2904	Cap, 470n, +80/-20%, 16v, Ceramic	3198 017 24740	3450	Res, 33 ohm, 5%, 1/6W, Carbon Film	3198 011 03390
2905	Cap, 1n, 10%, 50v, Ceramic	3198 017 31020	S 3451	Res, 10 ohm, 5%, 1/3W, Metal Film.	2306 204 03109
2906	Cap, 470n, +80/-20%, 16v, Ceramic	3198 017 24740	3452	Res, 10K, 1%, 3/5W, Metal Film	2312 915 11003
2907	Cap, 1n, 10%, 50v, Ceramic	3198 017 31020	3453	Res, 1K, 5%, 1/6W, Carbon Film	3198 011 01020
2908	Cap, 10u, 20%, 50v, Electrolytic	3198 025 51090	3454	Res, 3K9, 1%, 3/5W, Metal Film	2312 915 13902
2910	Cap, 3n3, 10%, 50v, Ceramic	3198 017 33320	3455	Res, 6R8, 5%, 1/3W, Metal Film	3198 012 26880
2911	Cap, 3n3, 10%, 50v, Ceramic	3198 017 33320	3456	Res, Zero ohm, Chip Jumper	3198 021 90020
2950	Cap, 330p, 5%, 50v, Ceramic	3198 016 33310	3457	Res, Zero ohm, Chip Jumper	3198 021 90020
3000	Res, 100 ohm, 5%, 1/6W, Carbon Film.	3198 011 01010	3458	Res, 1K, 5%, 1/6W, Carbon Film	3198 011 01020
3001	Res, 100 ohm, 5%, 1/6W, Carbon Film.	3198 011 01010	3459	Res, 15K, 5%, 1/3W, Metal Film	3198 012 21530
3002	Res, Zero ohm, 'Chip' Jumper	3198 021 90030	3460	Res, 3K9, 5%, 1/6W, Carbon Film.	3198 011 03920
3003	Res, 1K5, 5%, 1/16W, Metallized Glass	3198 021 31520	3463	Res, 33 ohm, 5%, 1/6W, Carbon Film	3198 011 03390
3004	Res, 8K2, 5%, 1/16W, Metallized Glass	3198 021 38220	3465	Res, 27K, 1%, 3/5W, Metal Film	2312 915 12703
3005	Res, 100 ohm, 5%, 1/6W, Carbon Film.	3198 011 01010	3468	Res, 220 ohm, 5%, 1/6W, Carbon Film.	3198 011 02210
3101	Res, 68 ohm, 5%, 1/6W, Carbon Film	3198 011 06890	3469	Res, 3K3, 5%, 1/6W, Carbon Film.	3198 011 03320
3102	Res, 1k, 5%, Carbon.	3198 021 51020	3470	Res, 330K, 5%, 1/10W, Metallized Glas	3198 021 53340
3103	Res, 150 ohm, 5%, 1/6W, Carbon Film.	3198 011 01510	3471	Res, 3R3, 1%, 3/5W, Metal Film	2312 915 13308
3104	Res, 220K, 5%, 1/16W, Metallized Glas	3198 021 32240	3472	Res, 3R3, 1%, 3/5W, Metal Film	2312 915 13308
3105	Res, 150 ohm, 5%, 1/6W, Carbon Film.	3198 011 01510	3473	Res, 3R3, 1%, 3/5W, Metal Film	2312 915 13308
3106	Res, 220K, 5%, 1/16W, Metallized Glas	3198 021 32240	3474	Res, 2K2, 1%, 3/5W, Metal Film	2312 915 12202
3111	Res, 75 ohm, 5%, 1/6W, Carbon Film	3198 011 07590	3475	Res, 2K2, 1%, 3/5W, Metal Film	2312 915 12202
3112	Res, 100 ohm, 5%, 1/6W, Carbon Film.	3198 011 01010	3477	Res, 150 ohm, 5%, 1/6W, Carbon Film.	3198 011 01510
3113	Res, 75 ohm, 5%, 1/6W, Carbon Film	3198 011 07590	3478	Res, 150 ohm, 5%, 1/6W, Carbon Film.	3198 011 01510
3114	Res, 100 ohm, 5%, 1/6W, Carbon Film.	3198 011 01010	3479	Res, 2K7, 5%, 1/10W, Metallized Glass	3198 021 52720
3115	Res, 75 ohm, 5%, 1/6W, Carbon Film	3198 011 07590	3480	Res, 1R5, 5%, 1/4W, Carbon Film.	2120 101 74158
3116	Res, 100 ohm, 5%, 1/6W, Carbon Film.	3198 011 01010	3481	Res, 12k, 1%, Metal Film	2312 915 11203
3122	Wire Jumper, 0.58MM.	3198 036 90010	3482	Res, 12k, 1%, Metal Film	2312 915 11203
3123	Res, 150 ohm, 5%, 1/6W, Carbon Film.	3198 011 01510	3484	Res, 3K9, 5%, 1/6W, Carbon Film.	3198 011 03920
3124	Res, 47K, 5%, 1/16W, Metallized Glass	3198 021 34730	3486	Res, 33 ohm, 5%, 2 1/2W, Metal Film.	3198 012 33390
3125	Res, 150 ohm, 5%, 1/6W, Carbon Film.	3198 011 01510	3488	Res, 4R7, 5%, 1/2W, Metal Film	2306 207 03478
3126	Res, 47K, 5%, 1/16W, Metallized Glass	3198 021 34730	3490	Res, 8K2, 5%, 1/6W, Carbon Film.	3198 011 08220
3131	Res, 150 ohm, 5%, 1/6W, Carbon Film.	3198 011 01510	3492	Res, 1k, 5%, Carbon.	3198 021 51020
3132	Res, 47K, 5%, 1/16W, Metallized Glass	3198 021 34730	3493	Res, 6R8, 5%, 1/3W, Metal Film	2306 204 03688
3133	Res, 150 ohm, 5%, 1/6W, Carbon Film.	3198 011 01510	3494	Res, 4R7, 5%, 1/2W, Metal Film	2306 207 03478
3134	Res, 47K, 5%, 1/16W, Metallized Glass	3198 021 34730	3495	Res, 22k, 5%, Carbon	3198 021 52230
3135	Res, 75 ohm, 5%, 1/6W, Carbon Film	3198 011 07590	3496	Res, 100K, 5%, 1/10W, Metallized Glas	3198 021 51040
3136	Res, 100 ohm, 5%, 1/6W, Carbon Film.	3198 011 01010	3497	Res, 100K, 5%, 1/10W, Metallized Glas	3198 021 51040
3138	Wire Jumper, 0.58MM.	3198 036 90010	3498	Res, 12K, 5%, 1/10W, Metallized Glass	3198 021 51230
3141	Res, 1K, 5%, 1/6W, Carbon Film	3198 011 01020	3499	Res, 10k, 5%, Carbon	3198 021 51030
3149	Res, 100K, 5%, 1/16W, Metallized Glas	3198 021 31040	S 3500	Res, 3M3, 5%, 1/2W, Metallized Glass	2322 242 13335
3150	Res, 150K, 5%, 1/16W, Metallized Glas	3198 021 31540	S 3501	Res, 3M3, 5%, 1/2W, Metallized Glass	2322 242 13335
3154	Res, 5K6, 5%, 1/6W, Carbon Film.	3198 011 05620	3504	Res, 3 ohm, +30%/-20%, 144v, PTC, Car	
3156	Res, 10K, 5%, 1/6W, Carbon Film.	3198 011 01030		bon Film	2122 663 00019
3157	Res, 1K5, 5%, 1/16W, Metallized Glass	3198 021 31520	S 3506	Res, 1M5, 5%, 1/2W, Metallized Glass	2322 242 13155
3158	Res, 10K, 5%, 1/16W, Metallized Glass	3198 021 31030	S 3507	Surge Protector, DSP-301N-A21F A.	2422 549 43073
3159	Res, 1K2, 1%, 1/10W, Metallized Glass	2120 108 92616	S 3508	Res, 220 ohm, 20%, 1/2W, Carbon Film	3198 013 02210
3200	Res, 390 ohm, 5%, 1/6W, Carbon Film.	3198 011 03910	3510	Res, 4.7 ohm, 20%, 3W1, NTC, Carbon F	
3201	Res, 100 ohm, 5%, 1/6W, Carbon Film.	3198 011 01010		ilm.	2122 612 00056
3202	Res, 100 ohm, 5%, 1/6W, Carbon Film.	3198 011 01010	3519	Res, 270 ohm, 5%, 1/6W, Carbon Film.	3198 011 02710
3203	Res, 100 ohm, 5%, 1/6W, Carbon Film.	3198 011 01010	3520	Res, 1K2, 5%, 1/10W, Metallized Glass	3198 021 51220
3204	Res, 22K, 5%, 1/6W, Carbon Film.	3198 011 02230	3521	Res, 4R7, 5%, 1/6W, Carbon Film.	3198 011 04780
3205	Res, 1k, 5%, Carbon.	3198 021 51020	3522	Res, 330K, 5%, 1/10W, Metallized Glas	3198 021 53340
3206	Res, 33K, 5%, 1/16W, Metallized Glass	3198 021 33330	S 3523	Res, 100 ohm, 5%, 1/3W, Metal Film	2306 204 03101
3207	Res, 1K, 5%, 1/6W, Carbon Film	3198 011 01020	3524	Res, 56K, 5%, 1/10W, Metallized Glass	3198 021 55630
3208	Res, 220 ohm, 5%, 1/16W, Metallized G		3525	Res, 1k, 5%, Carbon.	3198 021 51020
	lass	3198 021 32210			

S = Safety Part Be sure to use exact replacement part.

27PS55S321 (continued)

3526	Res, 0R1, 5%, 3/5W, Metal Film . . .	3198 012 11070	3905	Res, 3K3, 5%, 1/16W, Metallized Glass	3198 021 33320
3527	Res, 0R33, 5%, 3/5W, Metal Film . . .	3198 012 13370	3906	Res, 10K, 5%, 1/16W, Metallized Glass	3198 021 31030
3528	Res, Zero ohm, Chip Jumper	3198 021 90020	3907	Res, 8K2, 5%, 1/16W, Metallized Glass	3198 021 38220
3529	Res, 47K, 5%, 1/10W, Metallized Glass	3198 021 54730	4001	Res, Zero ohm, 'Chip' Jumper	3198 021 90030
3530	Res, 10k, 5%, Carbon	3198 021 51030	4002	Res, Zero ohm, 'Chip' Jumper	3198 021 90030
3531	Res, 4K7, 5%, 1/10W, Metallized Glass	3198 021 54720	4181	Res, Zero ohm, 'Chip' Jumper	3198 021 90030
S 3532	Res, 2K2, 5%, 1/3W, Metal Film	2306 204 03222	4209	Res, Zero ohm, 'Chip' Jumper	3198 021 90030
3541	Res, 470 ohm, 5%, 1/10W, Metallized G lass	3198 021 54710	4216	Res, Zero ohm, 'Chip' Jumper	3198 021 90030
3542	Res, 1K5, 5%, 1/10W, Metallized Glass	3198 021 51520	4217	Res, Zero ohm, 'Chip' Jumper	3198 021 90030
3543	Res, 82K, 1%, 3/5W, Metal Film	2312 915 18203	4401	Res, Zero ohm, Chip Jumper	3198 021 90020
3544	Res, 4K7, 1%, 1/8W, Metallized Glass	2322 734 64702	4402	Res, Zero ohm, Chip Jumper	3198 021 90020
3545	Res, 270K, 5%, 1/8W, Metallized Glass	2322 730 61274	4430	Res, Zero ohm, Chip Jumper	3198 021 90020
3548	Res, 15K, 5%, 1/10W, Metallized Glass	3198 021 51530	4500	Res, Zero ohm, Chip Jumper	3198 021 90020
3552	Res, 4K7, 5%, 1/10W, Metallized Glass	3198 021 54720	4601	Res, Zero ohm, Chip Jumper	3198 021 90020
3557	Res, 1k, 5%, Carbon	3198 021 51020	4613	Res, Zero ohm, Chip Jumper	3198 021 90020
3560	Res, 47 ohm, 5%, 1/6W, Carbon Film . .	3198 011 04790	4614	Res, Zero ohm, Chip Jumper	3198 021 90020
3561	Res, 100 ohm, 5%, 1/6W, Carbon Film.	3198 011 01010	4615	Res, Zero ohm, 'Chip' Jumper	3198 021 90030
3562	Res, 12K, 5%, 1/10W, Metallized Glass	3198 021 51230	4617	Res, Zero ohm, Chip Jumper	3198 021 90020
3563	Res, 5K6, 5%, 1/10W, Metallized Glass	3198 021 55620	4619	Res, Zero ohm, Chip Jumper	3198 021 90020
3564	Res, 0R1, 5%, 1 1/3W, Metal Film . . .	3198 012 21070	4622	Res, Zero ohm, Chip Jumper	3198 021 90020
3565	Res, 330 ohm, 5%, 1W, Metal Film . . .	3198 012 13310	4623	Res, Zero ohm, Chip Jumper	3198 021 90020
3566	Res, 2K2, 5%, 1/10W, Metallized Glass	3198 021 52220	4691	Res, Zero ohm, Chip Jumper	3198 021 90020
3567	Res, 1K8, 5%, 1/16W, Metallized Glass	3198 021 31820	4692	Res, Zero ohm, Chip Jumper	3198 021 90020
3568	Res, 8K2, 5%, 1/10W, Metallized Glass	3198 021 58220	4693	Res, Zero ohm, Chip Jumper	3198 021 90020
3569	Res, 5K6, 5%, 1/10W, Metallized Glass	3198 021 55620	4696	Res, Zero ohm, Chip Jumper	3198 021 90020
3580	Res, 47K, 5%, 1/10W, Metallized Glass	3198 021 54730	4801	Res, Zero ohm, 'Chip' Jumper	3198 021 90030
3594	Res, 330 ohm, 5%, 1/10W, Metallized G lass	3198 021 53310	4831	Res, Zero ohm, 'Chip' Jumper	3198 021 90030
3595	Res, 220K, 5%, 1/10W, Metallized Glas	3198 021 52240	4833	Res, Zero ohm, 'Chip' Jumper	3198 021 90030
3596	Res, 220K, 5%, 1/10W, Metallized Glas	3198 021 52240	4835	Res, Zero ohm, Chip Jumper	3198 021 90020
3601	Res, 8K2, 5%, 1/6W, Carbon Film	3198 011 08220	4901	Res, Zero ohm, 'Chip' Jumper	3198 021 90030
3603	Res, 100 ohm, 5%, 1/6W, Carbon Film.	3198 011 01010	4903	Res, Zero ohm, 'Chip' Jumper	3198 021 90030
3604	Res, 100 ohm, 5%, 1/6W, Carbon Film.	3198 011 01010	4982	Res, Zero ohm, Chip Jumper	3198 021 90020
3605	Res, 4K7, 5%, 1/10W, Metallized Glass	3198 021 54720	5001	Coil, 27u.	3198 018 22790
3606	Res, 2K2, 5%, 1/6W, Carbon Film	3198 011 02220	5002	Coil, 820n	3198 018 18270
3607	Res, 2K2, 5%, 1/6W, Carbon Film	3198 011 02220	5201	Coil, 6u8.	3198 018 16880
3608	Res, 100 ohm, 5%, 1/6W, Carbon Film.	3198 011 01010	5202	Coil, 10u.	3198 018 21090
3609	Res, 1K, 5%, 1/6W, Carbon Film	3198 011 01020	5204	Fixed, Inductor, 100MHZ, 80 ohm. . . .	3198 018 90020
3610	Res, 8K2, 5%, 1/6W, Carbon Film	3198 011 08220	5205	Fixed, Inductor, 100MHZ, 80 ohm. . . .	3198 018 90020
3611	Res, 100 ohm, 5%, 1/16W, Metallized G lass	3198 021 31010	5206	Wire Jumper, 0.58MM.	3198 036 90010
3618	Res, 6K8, 5%, 1/6W, Carbon Film	3198 011 06820	5241	Coil, 10u.	3198 018 21090
3622	Res, 100 ohm, 5%, 1/10W, Metallized G lass	3198 021 51010	5242	Coil, 10u.	3198 018 11090
3623	Res, 4K7, 5%, 1/16W, Metallized Glass	3198 021 34720	S 5445	Transformer, LOT SLOT, 1342.0043B Y.	2422 531 02506
3624	Res, 100 ohm, 5%, 1/6W, Carbon Film.	3198 011 01010	5451	Coil, 33u.	3198 018 73390
3625	Res, 100 ohm, 5%, 1/6W, Carbon Film.	3198 011 01010	5452	Fixed, Inductor, 100MHZ, 80 ohm. . . .	3198 018 90020
3626	Res, 4K7, 5%, 1/10W, Metallized Glass	3198 021 54720	5457	Coil, Linear Correction, 42u	2422 535 94865
3627	Res, 4K7, 5%, 1/10W, Metallized Glass	3198 021 54720	5461	Transformer, Signal Driver, SCI10015-0 0 B.	2422 531 02465
3628	Res, 10k, 5%, Carbon	3198 021 51030	5471	Coil, 3u3.	3198 018 73380
3630	Res, 2K2, 5%, 1/16W, Metallized Glass	3198 021 32220	5472	Coil, 3u3.	3198 018 23380
3632	Res, Zero ohm, Chip Jumper	3198 021 90020	5480	Fixed Inductor, 39u, 10%, LAL04. . . .	2422 535 97336
3634	Res, 100 ohm, 5%, 1/6W, Carbon Film.	3198 011 01010	S 5500	Filter, Mains, 5mH, 2A	2422 549 43432
3635	Res, 100 ohm, 5%, 1/6W, Carbon Film.	3198 011 01010	S 5520	Transformer, SMT Layer, SS39009-04 B	2422 531 02459
3636	Res, 100 ohm, 5%, 1/10W, Metallized G lass	3198 021 51010	5521	Fixed, Inductor, 100MHZ, 50R.	3198 018 90010
3638	Res, 75 ohm, 5%, 1/16W, Metallized Gl ass.	3198 021 37590	5560	Fixed, Inductor, 100MHZ, 50R.	3198 018 90010
3639	Res, Zero ohm, Chip Jumper	3198 021 90020	5561	Coil, 27u.	3198 018 22790
3681	Res, 390 ohm, 5%, 1/16W, Metallized G lass	3198 021 33910	5562	Fixed, Inductor, 100MHZ, 50R.	3198 018 90010
3682	Res, 3K3, 5%, 1/10W, Metallized Glass	3198 021 53320	5564	Fixed, Inductor, 100MHZ, 50R.	3198 018 90010
3683	Res, 390 ohm, 5%, 1/16W, Metallized G lass	3198 021 33910	5602	Coil, 5u6.	3198 018 15680
3684	Res, 560 ohm, 5%, 1/16W, Metallized G lass	3198 021 35610	5603	Coil, 5u6.	3198 018 15680
3685	Res, 560 ohm, 5%, 1/16W, Metallized G lass	3198 021 35610	5604	Coil, 5u6.	3198 018 15680
3686	Res, 1K5, 5%, 1/16W, Metallized Glass	3198 021 31520	5831	Coil, 6u8.	3198 018 16880
3691	Res, 330 ohm, 5%, 1/16W, Metallized G lass	3198 021 33310	5832	Coil, 6u8.	3198 018 16880
3693	Res, 220 ohm, 5%, Carbon	3198 021 52210	5833	Coil, 6u8.	3198 018 16880
3694	Res, 4K7, 5%, 1/10W, Metallized Glass	3198 021 54720	5835	Coil, 12u.	3198 018 31290
3801	Res, 220 ohm, 5%, 1/6W, Carbon Film.	3198 011 02210	6001	Zener Diode, 33 volt	3198 010 23390
3802	Res, 1K, 5%, 1/6W, Carbon Film	3198 011 01020	6006	Diode, Signal, 1N4148.	3198 010 10010
3809	Res, 75 ohm, 5%, 1/16W, Metallized Gl ass.	3198 021 37590	6007	Diode, Signal, 1N4148.	3198 010 10010
3810	Res, 75 ohm, 5%, 1/16W, Metallized Gl ass.	3198 021 37590	6150	Diode, Signal, BAS316.	3198 010 10630
3831	Res, 47K, 5%, 1/16W, Metallized Glass	3198 021 34730	6201	Diode, Signal, BAS316.	3198 010 10630
3832	Res, 100 ohm, 5%, 1/6W, Carbon Film.	3198 011 01010	6202	Diode, Signal, BAS316.	3198 010 10630
3833	Res, 100 ohm, 5%, 1/6W, Carbon Film.	3198 011 01010	6206	Zener Diode, 6.8 volt.	3198 020 56880
3836	Res, 1K, 5%, 1/16W, Metallized Glass	3198 021 31020	6445	Zener Diode, 10 volt	3198 020 51090
3837	Res, 100 ohm, 5%, 1/6W, Carbon Film.	3198 011 01010	6447	Diode, Signal, 1N4148.	3198 010 10010
3838	Res, 1K, 5%, 1/16W, Metallized Glass	3198 021 31020	6448	Zener Diode, 6.2 volt.	9331 668 30133
3839	Res, 100 ohm, 5%, 1/6W, Carbon Film.	3198 011 01010	6449	Diode, Signal, BAV99	3198 010 10620
3843	Res, 2K2, 5%, 1/16W, Metallized Glass	3198 021 32220	6453	Zener Diode, 6.8 volt.	3198 020 56880
3901	Res, 1K, 5%, 1/16W, Metallized Glass	3198 021 31020	6460	Diode, Rect, BY228/24.	9340 559 50112
3902	Res, 3K3, 5%, 1/16W, Metallized Glass	3198 021 33320	6461	Diode, Rect, RGP30J-L7004.	9338 617 60682
3903	Res, 3K3, 5%, 1/16W, Metallized Glass	3198 021 33320	6462	Zener Diode, 9.1 volt	9331 177 80133
3904	Res, 10K, 5%, 1/16W, Metallized Glass	3198 021 31030	6465	Diode, Signal, BAV21	3198 010 10070
			6466	Diode, Signal, BAV21	3198 010 10070
			6467	Diode, Signal, BAS316.	3198 010 10630
			6468	Diode, Signal, BAS316.	3198 010 10630
			6469	Diode, Rect, BYD33J	9337 234 20133
			6470	Diode, Signal, BAV99	3198 010 10620
			6471	Zener Diode, 15 volt	3198 010 21590
			6481	Zener Diode, 5.6 volt.	3198 010 25680
			6482	Zener Diode, 9.1 volt.	9331 177 80133
			6483	Zener Diode, 33 volt	3198 010 23390
			6485	Diode, Rect, BYD33J	9337 234 20133
			6486	Diode, Rect, EGP20DL-5100.	9322 164 42682
			6487	Diode, Rect, BYD33D	9337 234 00133

S = Safety Part Be sure to use exact replacement part.

27PS55S321 (continued)

6488	Diode, Rect, EGP20DL-5100	9322 164 42682	9500	Wire Jumper, 0.58MM.	3198 036 90010
6500	Diode, Bridge Rect, GBU4JL-7002	9322 132 55667	9501	Wire Jumper, 0.58MM.	3198 036 90010
6520	Diode, Rect, BYD33D	9337 234 00133	9503	Wire Jumper, 0.58MM.	3198 036 90010
6523	Diode, Signal, 1N4148	3198 010 10010	S 9506	Wire Jumper, 0.58MM.	3198 036 90010
6524	Diode, Rect, 1N5062	3198 010 10120	S 9507	Wire Jumper, 0.58MM.	3198 036 90010
6525	Diode, Rect, 1N5062	3198 010 10120	9510	Wire Jumper, 0.58MM.	3198 036 90010
6526	Zener Diode, 22 volt	3198 020 52290	9512	Wire Jumper, 0.58MM.	3198 036 90010
6540	Zener Diode, 6.2 volt.	9331 668 30133	9513	Wire Jumper, 0.58MM.	3198 036 90010
6541	Zener Diode, 9.1 volt.	9322 150 08685	9514	Wire Jumper, 0.58MM.	3198 036 90010
6560	Diode, Rect, BYV29X-500	9340 555 59127	9515	Wire Jumper, 0.58MM.	3198 036 90010
6562	Diode, Rect, EGP20DL-5100	9322 164 42682	9516	Wire Jumper, 0.58MM.	3198 036 90010
6563	Diode, Signal, BAS316	3198 010 10630	9518	Wire Jumper, 0.58MM.	3198 036 90010
6565	Diode, Signal, BAV70	9331 849 10215	9520	Wire Jumper, 0.58MM.	3198 036 90010
6566	Diode, Signal, 1N4148	3198 010 10010	9521	Wire Jumper, 0.58MM.	3198 036 90010
6569	Diode, Signal, BAS316	3198 010 10630	9522	Wire Jumper, 0.58MM.	3198 036 90010
6570	Zener Diode, 6.8 volt.	3198 020 56880	9524	Wire Jumper, 0.58MM.	3198 036 90010
6580	Diode, Signal, BAS316	3198 010 10630	9525	Wire Jumper, 0.58MM.	3198 036 90010
6681	Diode Signal, IG BAT85	9336 247 60133	9528	Wire Jumper, 0.58MM.	3198 036 90010
6691	LED, VS LTL-10224WHCR	9322 050 99682	9610	Wire Jumper, 0.58MM.	3198 036 90010
6692	IR, Receiver, TSOP1836UH3V	9322 127 54667	9611	Coil, 27u.	3198 018 22790
6831	Diode, Signal, 1N4148	3198 010 10010	9612	Wire Jumper, 0.58MM.	3198 036 90010
6901	Res, Zero ohm, Chip Jumper	3198 021 90020	9613	Wire Jumper, 0.58MM.	3198 036 90010
7101	Transistor, NPN, BC847B	3198 010 42030	9614	Wire Jumper, 0.58MM.	3198 036 90010
7102	Transistor, PNP, BC857B	3198 010 42150	9615	Wire Jumper, 0.58MM.	3198 036 90010
7103	Transistor, NPN, BC847B	3198 010 42030	9616	Wire Jumper, 0.58MM.	3198 036 90010
7200	IC, SM TDA9587H/NL/3	9352 716 32557	9617	Wire Jumper, 0.58MM.	3198 036 90010
7201	Transistor, NPN, BC847B	3198 010 42030	9618	Wire Jumper, 0.58MM.	3198 036 90010
7204	Transistor, PNP, BC857B	3198 010 42150	9619	Wire Jumper, 0.58MM.	3198 036 90010
7205	Transistor, PNP, BC857B	3198 010 42150	9620	Wire Jumper, 0.58MM.	3198 036 90010
7441	Transistor, PNP, BC857B	3198 010 42150	9621	Wire Jumper, 0.58MM.	3198 036 90010
7443	Transistor, PNP, BC557B	3198 020 40110	9622	Wire Jumper, 0.58MM.	3198 036 90010
7450	Transistor, PNP, PDTA114ET	3198 010 44010	9623	Wire Jumper, 0.58MM.	3198 036 90010
7460	Transistor, NPN, BU4508DX	9340 550 92127	9624	Wire Jumper, 0.58MM.	3198 036 90010
7461	Transistor, NPN, BC337-25	3198 020 43530	9625	Wire Jumper, 0.58MM.	3198 036 90010
7462	Transistor, NPN, PDTTC143ZT	9340 547 00215	9626	Wire Jumper, 0.58MM.	3198 036 90010
7463	Transistor, PNP, BC327-25	3198 020 43430	9627	Wire Jumper, 0.58MM.	3198 036 90010
7471	IC, TDA8359J/N2	9352 701 64112	9628	Wire Jumper, 0.58MM.	3198 036 90010
7480	Transistor, NPN, BD135	3198 020 41010	9629	Wire Jumper, 0.58MM.	3198 036 90010
7482	Transistor, NPN, BD135	3198 020 41010	9630	Wire Jumper, 0.58MM.	3198 036 90010
S 7515	Optical Coupler, TCET1104(G)	9322 175 72667	9631	Wire Jumper, 0.58MM.	3198 036 90010
7520	IC, TEA1507P/NL	9352 673 56112	9632	Wire Jumper, 0.58MM.	3198 036 90010
7521	FET Power STP8NC50FP	9322 160 72687	9633	Wire Jumper, 0.58MM.	3198 036 90010
7522	Transistor, NPN, BC847B(COL)	3198 010 42030	9634	Wire Jumper, 0.58MM.	3198 036 90010
7540	Transistor, NPN, BC547B(COL)	3198 020 40030	9637	Wire Jumper, 0.58MM.	3198 036 90010
7541	Transistor, NPN, PDTTC114ET	9340 310 10215	9638	Wire Jumper, 0.58MM.	3198 036 90010
7542	Transistor, PNP, BC857B(COL)	3198 010 42150	9639	Wire Jumper, 0.58MM.	3198 036 90010
7560	IC, L78L33ACZ	9322 134 92676	9640	Wire Jumper, 0.58MM.	3198 036 90010
7561	Transistor, NPN, PDTTC143ZT	9340 547 00215	9641	Wire Jumper, 0.58MM.	3198 036 90010
7562	Transistor, PNP, BC857B(COL)	3198 010 42150	9642	Wire Jumper, 0.58MM.	3198 036 90010
7564	Transistor, PNP, BC857B(COL)	3198 010 42150	9643	Wire Jumper, 0.58MM.	3198 036 90010
7580	Transistor, PNP, BC857B(COL)	3198 010 42150	9644	Wire Jumper, 0.58MM.	3198 036 90010
7602	IC, M24C08-WBN6	9322 154 38682	9645	Wire Jumper, 0.58MM.	3198 036 90010
7801	IC, SM HEF4052BT	9333 729 50653	9646	Wire Jumper, 0.58MM.	3198 036 90010
7802	IC, SM HEF4052BT	9333 729 60653	9648	Wire Jumper, 0.58MM.	3198 036 90010
7831	IC, MSP3445G-PO-B8	9322 160 81682	9650	Wire Jumper, 0.58MM.	3198 036 90010
7901	IC, AN7522N	9322 158 65667	9654	Wire Jumper, 0.58MM.	3198 036 90010
9001	Wire Jumper, 0.58MM.	3198 036 90010	9655	Wire Jumper, 0.58MM.	3198 036 90010
9101	Wire Jumper, 0.58MM.	3198 036 90010	9656	Wire Jumper, 0.58MM.	3198 036 90010
9102	Wire Jumper, 0.58MM.	3198 036 90010	9657	Wire Jumper, 0.58MM.	3198 036 90010
9103	Wire Jumper, 0.58MM.	3198 036 90010	9658	Wire Jumper, 0.58MM.	3198 036 90010
9171	Wire Jumper, 0.58MM.	3198 036 90010	9659	Wire Jumper, 0.58MM.	3198 036 90010
9172	Wire Jumper, 0.58MM.	3198 036 90010	9660	Wire Jumper, 0.58MM.	3198 036 90010
9173	Wire Jumper, 0.58MM.	3198 036 90010	9661	Wire Jumper, 0.58MM.	3198 036 90010
9175	Wire Jumper, 0.58MM.	3198 036 90010	9662	Wire Jumper, 0.58MM.	3198 036 90010
9176	Wire Jumper, 0.58MM.	3198 036 90010	9663	Wire Jumper, 0.58MM.	3198 036 90010
9178	Wire Jumper, 0.58MM.	3198 036 90010	9664	Wire Jumper, 0.58MM.	3198 036 90010
9179	Wire Jumper, 0.58MM.	3198 036 90010	9665	Wire Jumper, 0.58MM.	3198 036 90010
9181	Wire Jumper, 0.58MM.	3198 036 90010	9666	Wire Jumper, 0.58MM.	3198 036 90010
9182	Wire Jumper, 0.58MM.	3198 036 90010	9668	Wire Jumper, 0.58MM.	3198 036 90010
9183	Wire Jumper, 0.58MM.	3198 036 90010	9669	Wire Jumper, 0.58MM.	3198 036 90010
9192	Wire Jumper, 0.58MM.	3198 036 90010	9670	Wire Jumper, 0.58MM.	3198 036 90010
9193	Wire Jumper, 0.58MM.	3198 036 90010	9672	Wire Jumper, 0.58MM.	3198 036 90010
9406	Wire Jumper, 0.58MM.	3198 036 90010	9674	Wire Jumper, 0.58MM.	3198 036 90010
9407	Wire Jumper, 0.58MM.	3198 036 90010	9675	Wire Jumper, 0.58MM.	3198 036 90010
9408	Wire Jumper, 0.58MM.	3198 036 90010	9676	Wire Jumper, 0.58MM.	3198 036 90010
9409	Wire Jumper, 0.58MM.	3198 036 90010	9678	Wire Jumper, 0.58MM.	3198 036 90010
9410	Wire Jumper, 0.58MM.	3198 036 90010	9679	Wire Jumper, 0.58MM.	3198 036 90010
9411	Wire Jumper, 0.58MM.	3198 036 90010	9680	Wire Jumper, 0.58MM.	3198 036 90010
9412	Wire Jumper, 0.58MM.	3198 036 90010	9683	Wire Jumper, 0.58MM.	3198 036 90010
9413	Wire Jumper, 0.58MM.	3198 036 90010	9685	Wire Jumper, 0.58MM.	3198 036 90010
9415	Wire Jumper, 0.58MM.	3198 036 90010	9686	Wire Jumper, 0.58MM.	3198 036 90010
9416	Wire Jumper, 0.58MM.	3198 036 90010	9687	Wire Jumper, 0.58MM.	3198 036 90010
9417	Wire Jumper, 0.58MM.	3198 036 90010	9688	Wire Jumper, 0.58MM.	3198 036 90010
9418	Wire Jumper, 0.58MM.	3198 036 90010	9689	Wire Jumper, 0.58MM.	3198 036 90010
9419	Wire Jumper, 0.58MM.	3198 036 90010	9690	Wire Jumper, 0.58MM.	3198 036 90010
9421	Wire Jumper, 0.58MM.	3198 036 90010	9691	Wire Jumper, 0.58MM.	3198 036 90010
9422	Wire Jumper, 0.58MM.	3198 036 90010	9694	Wire Jumper, 0.58MM.	3198 036 90010
9423	Wire Jumper, 0.58MM.	3198 036 90010	9695	Wire Jumper, 0.58MM.	3198 036 90010
9425	Wire Jumper, 0.58MM.	3198 036 90010	9697	Wire Jumper, 0.58MM.	3198 036 90010
9427	Wire Jumper, 0.58MM.	3198 036 90010	9698	Wire Jumper, 0.58MM.	3198 036 90010
9453	Wire Jumper, 0.58MM.	3198 036 90010	9699	Wire Jumper, 0.58MM.	3198 036 90010
9460	Wire Jumper, 0.58MM.	3198 036 90010	9821	Wire Jumper, 0.58MM.	3198 036 90010

S = Safety Part Be sure to use exact replacement part.

27PS55S321 (continued)

9822	Wire Jumper, 0.58MM.	3198	036	90010	0251	6 Pin Connector.	2422	025	12482
9824	Wire Jumper, 0.58MM.	3198	036	90010	0254	5 Pin Connector.	2422	025	12481
9825	Wire Jumper, 0.58MM.	3198	036	90010	0255	4 Pin Connector.	2422	025	12479
9827	Wire Jumper, 0.58MM.	3198	036	90010	2171	Cap, 470p, 10%, 50v, Ceramic	3198	019	14710
9828	Wire Jumper, 0.58MM.	3198	036	90010	2172	Cap, 470p, 10%, 50v, Ceramic	3198	019	14710
9829	Wire Jumper, 0.58MM.	3198	036	90010	2173	Cap, 470p, 10%, 50v, Ceramic	3198	019	14710
9830	Wire Jumper, 0.58MM.	3198	036	90010	2174	Cap, 470p, 10%, 50v, Ceramic	3198	019	14710
9831	Wire Jumper, 0.58MM.	3198	036	90010	2176	Cap, 470p, 10%, 50v, Ceramic	3198	019	14710
9832	Wire Jumper, 0.58MM.	3198	036	90010	2177	Cap, 10u, 20%, 50v, Electrolytic	3198	025	51090
9834	Wire Jumper, 0.58MM.	3198	036	90010	2178	Cap, 470p, 10%, 50v, Ceramic	3198	019	14710
9835	Wire Jumper, 0.58MM.	3198	036	90010	2179	Cap, 10u, 20%, 50v, Electrolytic	3198	025	51090
9836	Wire Jumper, 0.58MM.	3198	036	90010	3150	Res, 47K, 5%, 1/6W, Carbon Film.	3198	011	04730
9837	Wire Jumper, 0.58MM.	3198	036	90010	3151	Res, 150 ohm, 5%, 1/6W, Carbon Film.	3198	011	01510
9838	Wire Jumper, 0.58MM.	3198	036	90010	3152	Res, 47K, 5%, 1/6W, Carbon Film.	3198	011	04730
9839	Wire Jumper, 0.58MM.	3198	036	90010	3153	Res, 150 ohm, 5%, 1/6W, Carbon Film.	3198	011	01510
9840	Wire Jumper, 0.58MM.	3198	036	90010	3156	Res, 120 ohm, 5%, 1/6W, Carbon Film.	3198	011	01210
9841	Wire Jumper, 0.58MM.	3198	036	90010	3157	Res, 120 ohm, 5%, 1/6W, Carbon Film.	3198	011	01210
9842	Wire Jumper, 0.58MM.	3198	036	90010	6161	Zener Diode, 6.8 volt.	3198	010	26880
9843	Wire Jumper, 0.58MM.	3198	036	90010	9153	Jumper	3198	036	90010
9844	Wire Jumper, 0.58MM.	3198	036	90010	9170	Jumper	3198	036	90010
9845	Wire Jumper, 0.58MM.	3198	036	90010	9171	Jumper	3198	036	90010
9846	Wire Jumper, 0.58MM.	3198	036	90010					
9847	Wire Jumper, 0.58MM.	3198	036	90010					
9849	Wire Jumper, 0.58MM.	3198	036	90010					
9851	Wire Jumper, 0.58MM.	3198	036	90010					
9901	Wire Jumper, 0.58MM.	3198	036	90010					
9902	Wire Jumper, 0.58MM.	3198	036	90010					
9903	Wire Jumper, 0.58MM.	3198	036	90010					
9904	Wire Jumper, 0.58MM.	3198	036	90010					
9905	Wire Jumper, 0.58MM.	3198	036	90010					
9911	Wire Jumper, 0.58MM.	3198	036	90010					
9912	Wire Jumper, 0.58MM.	3198	036	90010					
9913	Wire Jumper, 0.58MM.	3198	036	90010					
9914	Wire Jumper, 0.58MM.	3198	036	90010					
9915	Wire Jumper, 0.58MM.	3198	036	90010					
9916	Wire Jumper, 0.58MM.	3198	036	90010					
9918	Wire Jumper, 0.58MM.	3198	036	90010					
9919	Wire Jumper, 0.58MM.	3198	036	90010					
9920	Wire Jumper, 0.58MM.	3198	036	90010					
9921	Wire Jumper, 0.58MM.	3198	036	90010					
9922	Wire Jumper, 0.58MM.	3198	036	90010					
9991	Wire Jumper, 0.58MM.	3198	036	90010					
9994	Wire Jumper, 0.58MM.	3198	036	90010					
9996	Wire Jumper, 0.58MM.	3198	036	90010					
9998	Wire Jumper, 0.58MM.	3198	036	90010					
CBA	Main Chassis Assembly.	3139	177	27031					

CRT Panel Parts (Part of Main Chassis)

	CRT Panel Parts (Part of Main Chassis)								
0244	Connector, 5 Pin	2422	025	04853					
0245	Connector, 6 Pin	2422	025	04854					
S 0254	CRT Socket, 9 Pin.	2422	500	80076					
2330	Cap, 100n, 10%, 250v, Metallized Poly ester.	2222	368	90177					
2340	Cap, 10u, 20%, 250v, Electrolytic.	2020	012	93495					
2341	Cap, 3n3, 10%, 500v, Ceramic	3198	019	43320					
2342	Cap, 560p, 5%, 50v, Ceramic.	3198	016	05610					
2343	Cap, 3n3, 10%, 2000v, Ceramic.	2020	558	90529					
2344	Cap, 100n, +80/-20%, 25v, Ceramic.	3198	023	21040					
2345	Cap, 1n, 10%, 500v, Ceramic.	3198	019	41020					
3331	Res, 100 ohm, 5%, 1/6W, Carbon Film.	3198	011	01010					
3332	Res, 1K, 20%, 1/2W, Carbon Film.	3198	013	01020					
3333	Res, 100 ohm, 5%, 1/6W, Carbon Film.	3198	011	01010					
3334	Res, 1K, 20%, 1/2W, Carbon Film.	3198	013	01020					
3335	Res, 100 ohm, 5%, 1/6W, Carbon Film.	3198	011	01010					
3336	Res, 1K, 20%, 1/2W, Carbon Film.	3198	013	01020					
S 3340	Res, 10 ohm, 5%, 1/2W, Metal Film.	2306	207	03109					
S 3341	Res, 1 ohm, 5%, 1/3W, Metal Film.	2306	204	03108					
S 3342	Res, 1 ohm, 5%, 1/3W, Metal Film.	2306	204	03108					
3343	Res, 1K5, 20%, 1/2W, Carbon Film.	3198	013	01520					
3344	Res, 22 ohm, 5%, 1/6W, Carbon Film.	3198	011	02290					
3345	VDR DC 1MA/ 50V S MAX 115V A	2322	593	13507					
3346	Res, 22 ohm, 5%, 1/6W, Carbon Film.	3198	011	02290					
3347	Res, Zero ohm, Chip Jumper	3198	021	90020					
3350	Res, Zero ohm, Chip Jumper	3198	021	90020					
3353	Res, Zero ohm, Chip Jumper	3198	021	90020					
5342	Coil, 22u.	2422	535	97333					
6331	Diode, Signal, BAV21	3198	010	10070					
6332	Diode, Signal, BAS316.	3198	010	10630					
6333	Diode, Signal, BAV21	3198	010	10070					
6335	Diode, Signal, BAV21	3198	010	10070					
7330	IC, TDA6107Q/N2.	9352	576	50112					
9311	Wire Jumper, 0.58MM.	3198	036	90010					
9341	Wire Jumper, 0.58MM.	3198	036	90010					
9342	Wire Jumper, 0.58MM.	3198	036	90010					
9343	Wire Jumper, 0.58MM.	3198	036	90010					

Side AV+HP Panel Parts - 313912723881

	Side AV+HP Panel Parts - 313912723881								
CBA	Side AV+HP Panel Assembly.	3139	127	23881					
0232	1 Pin Headphone Socket	2422	026	04747					
0250	3 Pin Cinch Socket	2422	026	04815					

S = Safety Part Be sure to use exact replacement part.

27PS60S321 - Manual no. 7629

Cabinet & Accessory Parts

Cabinet & Accessory Parts			
S AC01	AC Cord	3135	010 03831
AC03	Battery, 1.5V, 2-PACK	9299	000 65263
AC04	Cabinet Back Assembly	3121	237 52451
AC09	Clip, Anode Lead	3135	014 04471
S AC10	CRT, A68AJB82X11	9301	891 90631
AC11	Customer Control Buttons	3139	137 83131
S AC12	Degaussing Coil	2422	549 43967
AC13	Holder, Degaussing Coil (4 Used)	3135	013 01641
AC16	Owner's Manual	3121	235 20111
AC16b	Quick Use Guide	3121	233 40911
REMOTE	Remote Transmitter, RC19041001/01	3139	228 86501
AC20	Cabinet Front Assembly f/27PS60S321	3121	237 51791
AC20a	Cabinet Front	3139	137 83171
AC20b	Chassis Guide	3139	124 31381
AC20d	Light Guide	3139	124 35111
AC20f	Power Button	3139	137 83141
AC20j	Speaker, Full Range, 16ohm, 5W (2 Use d)	2422	264 00411
S AC21	Deflection Yoke	3313	203 01242

Main Chassis Assembly Parts

Main Chassis Assembly Parts			
0127	Socket Fuse	2422	088 00271
S 0211	Connector, 2 Pin	2422	025 16269
S 0212	Connector, 2 Pin	2422	025 16375
0217	Connector, 5 Pin	2422	025 12481
0219	Connector, 6 Pin	2422	025 12482
0220	Connector, 5 Pin	2422	025 04853
S 0221	Connector, 4 Pin	2422	025 15503
S 0222	Connector, 2 Pin	2422	025 10646
0223	Socket, Cinch, 9 Pin	2422	026 05236
0225	Socket, MDIN, 10 Pin	2422	026 04926
0226	Connector, 4 Pin	2422	025 12479
0229	Connector, 7 Pin	2422	025 11244
0240	Connector, 4 Pin	2422	025 12479
0242	Connector, 5 Pin	2422	025 12481
0243	Connector, 6 Pin	2422	025 04854
0246	Connector, 5 Pin	2422	025 12481
0267	Connector, 3 Pin	2412	020 00725
0269	Socket, Cinch, 3 Pin	2422	026 05182
0284	Connector, 4 Pin	2422	025 12479
1000	Tuner, V+U PLL	2422	542 90108
1002	SAW Filter, 45MHZ75, OFWMI971M L	2422	549 44518
1200	Filter, Ceramic, 4MHz5	2422	549 40807
S 1500	Fuse, 4A, 250V, IEC	2422	086 10914
S 1515	Relay, 1P, 12V	2422	132 07444
1600	Tact Switch	2422	128 02742
1601	Tact Switch	2422	128 02742
1602	Tact Switch	2422	128 02742
1603	Tact Switch	2422	128 02742
1606	Tact Switch	2422	128 02742
1660	Crystal Resonator, 12 MHz, 20P, HC49/U A	2422	543 01203
1831	Crystal Resonator, 18MHZ432 12P HC49/U A	2422	543 00842
2004	Cap, 47n, 10%, 16v, Ceramic	3198	017 34730
2005	Cap, 10u, 20%, 50v, Electrolytic	3198	025 51090
2006	Cap, 470u, 20%, 16v, Electrolytic	3198	025 24710
2007	Cap, 100n, +80/-20%, 25v, Ceramic	3198	023 41040
2008	Cap, 100u, 20%, 25v, Electrolytic	3198	025 31010
2009	Cap, 22n, 10%, 25v, Ceramic	3198	017 32230
2101	Cap, 470n, +80/-20%, 16v, Ceramic	3198	017 24740
2102	Cap, 22p, 5%, 50v, Ceramic	3198	016 02290
2103	Cap, 330p, 10%, 50v, Ceramic	3198	017 33310
2104	Cap, 330p, 5%, 50v, Ceramic	3198	016 33310
2105	Cap, 10u, 20%, 50v, Electrolytic	3198	025 51090
2106	Cap, 10u, 20%, 50v, Electrolytic	3198	025 51090
2111	Cap, 22p, 5%, 50v, Ceramic	3198	016 02290
2112	Cap, 22p, 5%, 50v, Ceramic	3198	016 02290
2113	Cap, 22p, 5%, 50v, Ceramic	3198	016 02290
2121	Cap, 22p, 5%, 50v, Ceramic	3198	016 02290
2122	Cap, 330p, 5%, 50v, Ceramic	3198	016 33310
2123	Cap, 2u2, +80/-20%, 10v, Ceramic	3198	017 22250
2124	Cap, 330p, 5%, 50v, Ceramic	3198	016 33310
2125	Cap, 2u2, +80/-20%, 10v, Ceramic	3198	017 22250
2131	Cap, 330p, 5%, 50v, Ceramic	3198	016 33310
2132	Cap, 2u2, +80/-20%, 10v, Ceramic	3198	017 22250
2133	Cap, 330p, 5%, 50v, Ceramic	3198	016 33310
2134	Cap, 2u2, +80/-20%, 10v, Ceramic	3198	017 22250
2135	Cap, 22p, 5%, 50v, Ceramic	3198	016 02290
2136	Cap, 22p, 5%, 50v, Ceramic	3198	016 02290
2141	Cap, 330p, 5%, 50v, Ceramic	3198	016 33310
2143	Cap, 100n, +80/-20%, 25v, Ceramic	3198	023 41040
2150	Cap, 150n, 10%, 16v, Ceramic	2238	780 15652
2171	Cap, 2n2, 10%, 50v, Ceramic	3198	019 12220
2181	Cap, 22p, 5%, 50v, Ceramic	3198	016 02290
2184	Cap, 2u2, +80/-20%, 10v, Ceramic	3198	017 22250
2201	Cap, 100n, +80/-20%, 25v, Ceramic	3198	023 21040
2202	Cap, 100n, +80/-20%, 25v, Ceramic	3198	023 21040
2203	Cap, 100n, +80/-20%, 25v, Ceramic	3198	023 41040

2204	Cap, 100n, +80/-20%, 25v, Ceramic	3198	023 41040
2205	Cap, 220n, +80/-20%, 25v, Ceramic	3198	023 22240
2208	Cap, 100n, +80/-20%, 25v, Ceramic	3198	023 41040
2209	Cap, 4u7, 20%, 50v, Electrolytic	3198	025 54780
2210	Cap, 1u, +80/-20%, 16v, Ceramic	3198	017 21050
2211	Cap, 470n, +80/-20%, 10v, Ceramic	3198	017 44740
2213	Cap, 22n, 10%, 50v, Ceramic	3198	017 02230
2214	Cap, 22n, 10%, 50v, Ceramic	3198	017 02230
2215	Cap, 22n, 10%, 50v, Ceramic	3198	017 02230
2216	Cap, 1000u, 20%, 16v, Electrolytic	3198	026 21020
2217	Cap, 22n, 10%, 25v, Ceramic	3198	017 32230
2219	Cap, 220n, +80/-20%, 25v, Ceramic	3198	023 22240
2220	Cap, 470n, 10%, 50v, Polyester	3198	014 04740
2221	Cap, 22n, 10%, 50v, Ceramic	3198	017 02230
2241	Cap, 1n5, 10%, 50v, Ceramic	3198	017 31520
2242	Cap, 1u, +80/-20%, 10v, Ceramic	3198	017 41050
2243	Cap, 2n2, 10%, 50v, Ceramic	3198	017 02220
2244	Cap, 100n, 5%, 63v, Metallized Polyester	2222	370 76104
2245	Cap, 220n, +80/-20%, 16v, Ceramic	3198	023 22240
2247	Cap, 1000u, 20%, 16v, Electrolytic	3198	026 21020
2248	Cap, 22n, 10%, 50v, Ceramic	3198	017 02230
2249	Cap, 22n, 10%, 25v, Ceramic	3198	017 32230
2250	Cap, 2u2, 20%, 50v, Electrolytic	3198	025 52280
2252	Cap, 1n, 5%, 25v, Ceramic	3198	016 31020
2253	Cap, 1n, 5%, 25v, Ceramic	3198	016 31020
2254	Res, Zero ohm, Chip Jumper	3198	021 90020
2405	Cap, 220u, 20%, 25v, Electrolytic	3198	025 32210
2441	Cap, 1u, 20%, 50v, Electrolytic	3198	025 51080
2443	Cap, 47n, +80/-20%, 50v, Ceramic	3198	017 24730
2444	Cap, 1u, 20%, 50v, Electrolytic	3198	025 51080
2450	Cap, 47u, 20%, 160v, Electrolytic	2020	021 91139
2451	Cap, 15n, 10%, 50v, Polyester	3198	014 01530
2452	Cap, 180p, 5%, 50v, Ceramic	3198	016 01810
2455	Cap, 47u, 20%, 25v, Electrolytic	3198	025 34790
2457	Cap, 470n, 5%, 250v, Polypropylene	2222	479 90023
2458	Cap, 2u2, 20%, 100v, Electrolytic	2020	021 91331
2459	Cap, 680p, 10%, 500v, Ceramic	3198	019 46810
2460	Cap, 100p, 5%, 50v, Ceramic	3198	016 01010
2462	Cap, 330n, 10%, 250v, Polypropylene	2022	333 00084
2463	Cap, 680p, 10%, 2kV, Ceramic	2020	558 90485
2463	Cap, 1.2nF, 10%, 2kV, Ceramic	2020	558 90488
2465	Cap, 11n, 5%, 1600v, Polypropylene	2222	375 90155
2471	Cap, 100n, 10%, 50v, Polyester	3198	014 01040
2472	Cap, 150n, 10%, 63v, Metallized Polyester	2222	365 75154
2473	Cap, 100n, 10%, 63v, Metallized Polyester	2222	365 75104
2474	Cap, 2n2, 10%, 50v, Ceramic	3198	017 02220
2475	Cap, 2n2, 10%, 50v, Ceramic	3198	017 02220
2476	Cap, 4n7, 10%, 50v, Ceramic	3198	017 04720
2480	Cap, 47u, 20%, 25v, Electrolytic	2020	021 90586
2481	Cap, 470p, 10%, 500v, Ceramic	3198	019 44710
2482	Cap, 68n, 10%, 250v, Polyester	2222	347 90234
2485	Cap, 4u7, 20%, 250v, Electrolytic	2020	021 90856
2486	Cap, 470u, 20%, 16v, Electrolytic	2020	021 91577
2487	Cap, 47u, 20%, 50v, Electrolytic	2020	021 90854
2488	Cap, 1000u, 20%, 16v, Electrolytic	2020	021 91049
2489	Cap, 470u, 20%, 16v, Electrolytic	2020	021 91577
2491	Cap, 1n, 10%, 500v, Ceramic	3198	019 41020
S 2500	Cap, 470n, 20%, 275v, Metallized Polypropylene	2222	336 29148
2501	Cap, 2n2, 10%, 1000v, Ceramic	3198	019 52220
2502	Cap, 2n2, 10%, 1000v, Ceramic	3198	019 52220
2503	Cap, 470u, 20%, 200v, Electrolytic	2020	024 90626
2505	Cap, 2n2, 10%, 1000v, Ceramic	3198	019 52220
2507	Cap, 470p, 10%, 50v, Ceramic	3198	017 04710
2508	Cap, 470p, 10%, 1000v, Ceramic	3198	019 64710
S 2515	Cap, 1n5, 20%, v, Ceramic	2020	554 90128
2520	Cap, 100n, 10%, 16v, Ceramic	3198	017 01040
2521	Cap, 22u, 20%, 50v, Electrolytic	3198	025 52290
2522	Cap, 100n, 10%, 16v, Ceramic	3198	017 01040
2523	Cap, 1n5, 10%, 2000v, Ceramic	2020	558 90489
2525	Cap, 470p, 10%, 50v, Ceramic	3198	017 04710
2527	Cap, 2n2, 10%, 50v, Ceramic	3198	017 02220
2528	Cap, 1n, 10%, 50v, Ceramic	3198	017 01020
2540	Cap, 10n, 10%, 50v, Ceramic	3198	017 01030
2541	Cap, 10n, 10%, 50v, Ceramic	3198	017 01030
2560	Cap, 680p, 10%, 1000v, Ceramic	2020	558 90472
2561	Cap, 100u, 20%, 160v, Electrolytic	2020	021 91654
2562	Cap, 1n, 10%, 50v, Ceramic	3198	019 11020
2563	Cap, 100n, 10%, 50v, Polyester	3198	014 01040
2564	Cap, 2u2, 20%, 25v, Electrolytic	2020	021 91353
2566	Cap, 470u, 20%, 6.3v, Electrolytic	3198	025 4710
2567	Cap, 47u, 20%, 25v, Electrolytic	3198	025 34790
2568	Cap, 1u, 20%, 50v, Electrolytic	3198	025 51080
2580	Cap, 47u, 20%, 16v, Electrolytic	3198	028 24790
2581	Cap, 22u, 20%, 50v, Electrolytic	3198	025 52290
2601	Cap, 220n, +80/-20%, 25v, Ceramic	3198	023 22240
2602	Cap, 100p, 5%, 50v, Ceramic	3198	016 01010
2606	Cap, 1n, 10%, 50v, Ceramic	3198	017 01020
2607	Cap, 33p, 5%, 50v, Ceramic	3198	016 33390

S = Safety Part Be sure to use exact replacement part.

27PS60S321 (continued)

2608	Cap, 1u, +80/-20%, 10v, Ceramic . . .	3198 017 41050	3173	Res, 10K, 5%, 1/6W, Carbon Film. . .	3198 011 01030
2609	Cap, 33p, 5%, 50v, Ceramic	3198 016 33390	3174	Res, 8K2, 5%, 1/6W, Carbon Film. . .	3198 011 08220
2611	Cap, 1u, +80/-20%, 10v, Ceramic. . .	3198 017 41050	3175	Res, 8K2, 5%, 1/6W, Carbon Film. . .	3198 011 08220
2612	Cap, 68p, 5%, 50v, Ceramic	3198 016 06890	3176	Res, 100 ohm, 5%, 1/6W, Carbon Film.	3198 011 01010
2613	Cap, 68p, 5%, 50v, Ceramic	3198 016 06890	3177	Res, 8K2, 5%, 1/6W, Carbon Film. . .	3198 011 08220
2615	Cap, 1n, 10%, 50v, Ceramic	3198 017 01020	3178	Res, 3K9, 5%, 1/6W, Carbon Film. . .	3198 011 03920
2618	Cap, 1u, +80/-20%, 10v, Ceramic. . .	3198 017 41050	3179	Res, 2K2, 5%, 1/6W, Carbon Film. . .	3198 011 02220
2619	Cap, 1u, +80/-20%, 16v, Ceramic. . .	3198 017 21050	3200	Res, 390 ohm, 5%, 1/6W, Carbon Film.	3198 011 03910
2691	Cap, 10u, 20%, 50v, Electrolytic . . .	3198 025 51090	3201	Res, 100 ohm, 5%, 1/6W, Carbon Film.	3198 011 01010
2801	Cap, 22u, 20%, 50v, Electrolytic . . .	3198 025 52290	3202	Res, 100 ohm, 5%, 1/6W, Carbon Film.	3198 011 01010
2802	Cap, 220n, +80/-20%, 25v, Ceramic. . .	3198 023 22240	3203	Res, 100 ohm, 5%, 1/6W, Carbon Film.	3198 011 01010
2804	Cap, 2u2, +80/-20%, 10v, Ceramic. . .	3198 017 22250	3204	Res, 22K, 5%, 1/6W, Carbon Film. . .	3198 011 02230
2805	Res, Zero ohm, Chip Jumper	3198 021 90020	3206	Res, 33K, 5%, 1/16W, Metallized Glass	3198 021 33330
2806	Res, Zero ohm, Chip Jumper	3198 021 90020	3207	Res, 1K, 5%, 1/6W, Carbon Film . . .	3198 011 01020
2831	Cap, 1p, 25%, 50v, Ceramic	3198 016 31080	3208	Res, 220 ohm, 5%, 1/16W, Metallized G	lass 3198 021 32210
2832	Cap, 1p, 25%, 50v, Ceramic	3198 016 31080	3209	Res, 68 ohm, 5%, 1/16W, Metallized Gl	ass. 3198 021 36890
2833	Cap, 47p, 5%, 50v, Ceramic	3198 016 34790	3212	Res, 470 ohm, 5%, 1/16W, Metallized G	lass 3198 021 34710
2834	Cap, 470p, 5%, 50v, Ceramic.	3198 016 34710	3213	Res, 560 ohm, 5%, 1/6W, Carbon Film.	3198 011 05610
2835	Cap, 220p, 5%, 50v, Ceramic.	3198 016 32210	3214	Res, 100 ohm, 5%, 1/10W, Metallized G	lass 3198 021 51010
2836	Cap, 1n5, 10%, 50v, Ceramic.	3198 017 31520	3215	Res, 560 ohm, 5%, 1/16W, Metallized G	lass 3198 021 35610
2837	Cap, 4u7, 20%, 50v, Electrolytic . . .	3198 025 54780	3216	Res, 68 ohm, 5%, 1/6W, Carbon Film. .	3198 011 06890
2840	Cap, 100n, +80/-20%, 25v, Ceramic. . .	3198 023 41040	3217	Res, 330K, 5%, 1/16W, Metallized Glas	3198 021 33340
2841	Cap, 10u, 20%, 50v, Electrolytic . . .	3198 025 51090	3218	Res, 82K, 5%, 1/16W, Metallized Glass	3198 021 38230
2842	Cap, 100n, +80/-20%, 25v, Ceramic. . .	3198 023 41040	3219	Res, 2K2, 5%, 1/16W, Metallized Glass	3198 021 32220
2843	Cap, 10u, 20%, 50v, Electrolytic . . .	3198 025 51090	3220	Res, 100 ohm, 5%, 1/6W, Carbon Film.	3198 011 01010
2844	Cap, 10u, 20%, 50v, Electrolytic . . .	3198 025 51090	3221	Res, 560 ohm, 5%, 1/6W, Carbon Film.	3198 011 05610
2845	Cap, 100n, +80/-20%, 25v, Ceramic. . .	3198 023 41040	3222	Res, 100 ohm, 5%, 1/6W, Carbon Film.	3198 011 01010
2846	Cap, 100u, 20%, 25v, Electrolytic. . .	3198 025 31010	3223	Res, 100 ohm, 5%, 1/10W, Metallized G	lass 3198 021 51010
2849	Cap, 1n, 5%, 25v, Ceramic.	3198 016 31020	3226	Res, 560 ohm, 5%, 1/16W, Metallized G	lass 3198 021 35610
2850	Cap, 1n, 5%, 25v, Ceramic.	3198 016 31020	3235	Res, 100 ohm, 5%, 1/6W, Carbon Film.	3198 011 01010
2851	Res, Zero ohm, Chip Jumper	3198 021 90020	3241	Res, 22K, 5%, 1/16W, Metallized Glass	3198 021 32230
2852	Cap, 1n, 5%, 25v, Ceramic.	3198 016 31020	3242	Res, 12K, 5%, 1/10W, Metallized Glass	3198 021 51230
2853	Res, Zero ohm, Chip Jumper	3198 021 90020	3244	Res, 820 ohm, 5%, 1/6W, Carbon Film.	3198 011 08210
2854	Cap, 1n, 5%, 25v, Ceramic.	3198 016 31020	3245	Res, 39K, 1%, 1/10W, Metallized Glass	2120 108 92633
2855	Cap, 33p, 5%, 50v, Ceramic	3198 016 33390	3246	Res, 10k, 5%, Carbon	3198 021 51030
2856	Cap, 47p, 5%, 50v, Ceramic.	3198 016 34790	3247	Res, 680K, 5%, 1/10W, Metallized Glas	3198 021 56840
2857	Cap, 150p, 5%, 50v, Ceramic.	3198 016 31510	3248	Res, 33K, 5%, 1/10W, Metallized Glass	3198 021 53330
2860	Cap, 180p, 5%, 50v, Ceramic.	3198 016 31810	3249	Res, 820 ohm, 5%, 1/6W, Carbon Film.	3198 011 08210
2894	Cap, 220p, 5%, 50v, Ceramic.	3198 016 32210	3250	Res, 8K2, 5%, 1/6W, Carbon Film. . .	3198 011 08220
2895	Cap, 560p, 5%, 25v, Ceramic.	3198 016 35610	3251	Res, 100 ohm, 5%, 1/6W, Carbon Film.	3198 011 01010
2897	Cap, 390p, 5%, 50v, Ceramic.	3198 016 33910	3256	Res, 1k, 5%, Carbon.	3198 021 51020
2898	Cap, 10n, 10%, 50v, Ceramic.	3198 017 31030	3257	Res, 10M, 5%, 1/10W, Metallized Glass	3198 021 51060
2902	Cap, 1000u, 20%, 16v, Electrolytic . .	3198 026 21020	3258	Res, 100K, 5%, 1/10W, Metallized Glas	3198 021 51040
2903	Cap, 1u, 20%, 50v, Electrolytic. . . .	3198 025 51080	3259	Res, 470K, 5%, 1/10W, Metallized Glas	3198 021 54740
2904	Cap, 470n, +80/-20%, 16v, Ceramic. . .	3198 017 24740	3441	Res, 100 ohm, 5%, 1/10W, Metallized G	lass 3198 021 51010
2905	Cap, 1n, 10%, 50v, Ceramic	3198 017 01020	3442	Res, Zero ohm, Chip Jumper	3198 021 90020
2906	Cap, 470n, +80/-20%, 16v, Ceramic. . .	3198 017 24740	3443	Res, 1M, 5%, 1/10W, Metallized Glass	3198 021 51050
2907	Cap, 1n, 10%, 50v, Ceramic.	3198 017 01020	3445	Res, 15K, 5%, 1/6W, Carbon Film. . .	3198 011 01530
2908	Cap, 10u, 20%, 50v, Electrolytic . . .	3198 025 51090	3446	Res, 5K6, 5%, 1/6W, Carbon Film. . .	3198 011 05620
2910	Cap, 3n3, 10%, 50v, Ceramic.	3198 017 03320	3447	Res, 56 ohm, 5%, 1/4W, Carbon Film. .	2120 101 74569
2911	Cap, 3n3, 10%, 50v, Ceramic.	3198 017 03320	3448	Res, 470 ohm, 5%, 1/6W, Carbon Film.	3198 011 04710
2950	Cap, 330p, 5%, 50v, Ceramic.	3198 016 33310	3449	Res, 68 ohm, 5%, 1/6W, Carbon Film. .	3198 011 06890
3000	Res, 100 ohm, 5%, 1/6W, Carbon Film.	3198 011 01010	3450	Res, 33 ohm, 5%, 1/6W, Carbon Film. .	3198 011 03390
3001	Res, 100 ohm, 5%, 1/6W, Carbon Film.	3198 011 01010	S 3451	Res, 10 ohm, 5%, 1/3W, Metal Film. . .	2306 204 03109
3002	Res, Zero ohm, 'Chip' Jumper	3198 021 90030	3452	Res, 10K, 1%, 3/5W, Metal Film	2312 915 11003
3003	Res, 1K5, 5%, 1/16W, Metallized Glass	3198 021 31520	3453	Res, 1K, 5%, 1/6W, Carbon Film. . . .	3198 011 01020
3004	Res, 8K2, 5%, 1/16W, Metallized Glass	3198 021 38220	3454	Res, 3K9, 1%, 3/5W, Metal Film	2312 915 13902
3005	Res, 100 ohm, 5%, 1/6W, Carbon Film.	3198 011 01010	3455	Res, 6R8, 5%, 1 1/3W, Metal Film . . .	3198 012 26880
3101	Res, 68 ohm, 5%, 1/6W, Carbon Film. .	3198 011 06890	3456	Res, Zero ohm, Chip Jumper	3198 021 90020
3102	Res, 1K, 5%, 1/16W, Metallized Glass	3198 021 31020	3457	Res, Zero ohm, Chip Jumper	3198 021 90020
3103	Res, 150 ohm, 5%, 1/6W, Carbon Film.	3198 011 01510	3458	Res, 1K, 5%, 1/6W, Carbon Film	3198 011 01020
3104	Res, 220K, 5%, 1/16W, Metallized Glas	3198 021 32240	3459	Res, 15K, 5%, 1 1/3W, Metal Film . . .	3198 012 21530
3105	Res, 150 ohm, 5%, 1/6W, Carbon Film.	3198 011 01510	3460	Res, 3K9, 5%, 1/6W, Carbon Film. . . .	3198 011 03920
3106	Res, 220K, 5%, 1/16W, Metallized Glas	3198 021 32240	3463	Res, 33 ohm, 5%, 1/6W, Carbon Film. .	3198 011 03390
3111	Res, 75 ohm, 5%, 1/6W, Carbon Film. .	3198 011 07590	3465	Res, 27K, 1%, 3/5W, Metal Film	2312 915 12703
3112	Res, 100 ohm, 5%, 1/6W, Carbon Film.	3198 011 01010	3468	Res, 220 ohm, 5%, 1/6W, Carbon Film.	3198 011 02210
3113	Res, 75 ohm, 5%, 1/6W, Carbon Film. .	3198 011 07590	3469	Res, 3K3, 5%, 1/6W, Carbon Film. . . .	3198 011 03320
3114	Res, 100 ohm, 5%, 1/6W, Carbon Film.	3198 011 01010	3470	Res, 330K, 5%, 1/10W, Metallized Glas	3198 021 53340
3115	Res, 75 ohm, 5%, 1/6W, Carbon Film. .	3198 011 07590	3471	Res, 3R3, 1%, 3/5W, Metal Film	2312 915 13308
3116	Res, 100 ohm, 5%, 1/6W, Carbon Film.	3198 011 01010	3472	Res, 3R3, 1%, 3/5W, Metal Film	2312 915 13308
3122	Wire Jumper, 0.58MM.	3198 036 90010	3473	Res, 3R3, 1%, 3/5W, Metal Film	2312 915 13308
3123	Res, 150 ohm, 5%, 1/6W, Carbon Film.	3198 011 01510	3474	Res, 2K2, 1%, 3/5W, Metal Film	2312 915 12202
3124	Res, 47K, 5%, 1/16W, Metallized Glass	3198 021 34730	3475	Res, 2K2, 1%, 3/5W, Metal Film	2312 915 12202
3125	Res, 150 ohm, 5%, 1/6W, Carbon Film.	3198 011 01510	3477	Res, 150 ohm, 5%, 1/6W, Carbon Film.	3198 011 01510
3126	Res, 47K, 5%, 1/16W, Metallized Glass	3198 021 34730	3478	Res, 150 ohm, 5%, 1/6W, Carbon Film.	3198 011 01510
3131	Res, 150 ohm, 5%, 1/6W, Carbon Film.	3198 011 01510	3479	Res, 2K7, 5%, 1/10W, Metallized Glass	3198 021 52720
3132	Res, 47K, 5%, 1/16W, Metallized Glass	3198 021 34730	3480	Res, 1R5, 5%, 1/4W, Carbon Film. . . .	2120 101 74158
3133	Res, 150 ohm, 5%, 1/6W, Carbon Film.	3198 011 01510	3481	Res, 12k, 1%, Metal Film	2312 915 11203
3134	Res, 47K, 5%, 1/16W, Metallized Glass	3198 021 34730	3482	Res, 12k, 1%, Metal Film	2312 915 11203
3135	Res, 75 ohm, 5%, 1/6W, Carbon Film. .	3198 011 07590	3484	Res, 3K9, 5%, 1/6W, Carbon Film. . . .	3198 011 03920
3136	Res, 100 ohm, 5%, 1/6W, Carbon Film.	3198 011 01010	3486	Res, 33 ohm, 5%, 2 1/2W, Metal Film.	3198 012 33390
3138	Wire Jumper, 0.58MM.	3198 036 90010	3488	Res, 4R7, 5%, 1/2W, Metal Film	2306 207 03478
3141	Res, 1K, 5%, 1/6W, Carbon Film	3198 011 01020	3490	Res, 8K2, 5%, 1/6W, Carbon Film. . . .	3198 011 08220
3149	Res, 100K, 5%, 1/16W, Metallized Glas	3198 021 31040	3492	Res, 1k, 5%, Carbon.	3198 021 51020
3150	Res, 150K, 5%, 1/16W, Metallized Glas	3198 021 31540			
3154	Res, 5K6, 5%, 1/6W, Carbon Film. . . .	3198 011 05620			
3156	Res, 10K, 5%, 1/6W, Carbon Film. . . .	3198 011 01030			
3157	Res, 1K5, 5%, 1/16W, Metallized Glass	3198 021 31520			
3158	Res, 10K, 5%, 1/16W, Metallized Glass	3198 021 31030			
3159	Res, 1K2, 1%, 1/10W, Metallized Glass	2120 108 92616			
3170	Res, 4K7, 5%, 1/6W, Carbon Film. . . .	3198 011 04720			
3172	Res, 68K, 5%, 1/6W, Carbon Film. . . .	3198 011 06830			

S = Safety Part Be sure to use exact replacement part.

27PS60S321 (continued)

3493	Res, 6R8, 5%, 1/3W, Metal Film . . .	2306 204 03688	3686	Res, 1K5, 5%, 1/16W, Metallized Glass	3198 021 31520
3494	Res, 4R7, 5%, 1/2W, Metal Film . . .	2306 207 03478	3691	Res, 330 ohm, 5%, 1/16W, Metallized G	lass 3198 021 33310
3495	Res, 22K, 5%, Carbon	3198 021 52230		Res, 220 ohm, 5%, 1/16W, Metallized G	lass 3198 021 32210
3496	Res, 100K, 5%, 1/10W, Metallized Glas	3198 021 51040	3693	Res, 4K7, 5%, 1/16W, Metallized Glass	3198 021 34720
3497	Res, 100K, 5%, 1/10W, Metallized Glas	3198 021 51040	3694	Res, 220 ohm, 5%, 1/6W, Carbon Film.	3198 011 02210
3498	Res, 12K, 5%, 1/10W, Metallized Glass	3198 021 51230	3801	Res, 1K, 5%, 1/6W, Carbon Film . . .	3198 011 01020
3499	Res, 10k, 5%, Carbon	3198 021 51030	3802	Res, 75 ohm, 5%, 1/16W, Metallized Gl	ass. 3198 021 37590
S 3500	Res, 3M3, 5%, 1/2W, Metallized Glass	2322 242 13335	3809	Res, 75 ohm, 5%, 1/16W, Metallized Gl	ass. 3198 021 37590
S 3501	Res, 3M3, 5%, 1/2W, Metallized Glass	2322 242 13335	3810	Res, 47K, 5%, 1/16W, Metallized Glass	3198 021 34730
3504	Res, 3 ohm, +30%/-20%, 144v, PTC, Car	bon Film 2122 663 00019	3831	Res, 100 ohm, 5%, 1/6W, Carbon Film.	3198 011 01010
S 3506	Res, 1M5, 5%, 1/2W, Metallized Glass	2322 242 13155	3832	Res, 100 ohm, 5%, 1/6W, Carbon Film.	3198 011 01010
S 3507	Surge Protector, DSP-301N-A21F A. .	2422 549 43073	3833	Res, 1K, 5%, 1/16W, Metallized Glass	3198 021 31020
S 3508	Res, 220 ohm, 20%, 1/2W, Carbon Film	3198 013 02210	3836	Res, 100 ohm, 5%, 1/6W, Carbon Film.	3198 011 01010
3510	Res, 4.7 ohm, 20%, 3W1, NTC, Carbon F	ilm. 2122 612 00056	3837	Res, 1K, 5%, 1/16W, Metallized Glass	3198 021 31020
3519	Res, 270 ohm, 5%, 1/6W, Carbon Film.	3198 011 02710	3838	Res, 100 ohm, 5%, 1/6W, Carbon Film.	3198 011 01010
3520	Res, 1K2, 5%, 1/10W, Metallized Glass	3198 021 51220	3839	Res, 2K2, 5%, 1/16W, Metallized Glass	3198 021 32220
3521	Res, 4R7, 5%, 1/6W, Carbon Film. . .	3198 011 04780	3843	Res, 1K, 5%, 1/16W, Metallized Glass	3198 021 31020
3522	Res, 330K, 5%, 1/10W, Metallized Glas	3198 021 53340	3901	Res, 3K3, 5%, 1/16W, Metallized Glass	3198 021 33320
S 3523	Res, 100 ohm, 5%, 1/3W, Metal Film . .	2306 204 03101	3903	Res, 3K3, 5%, 1/16W, Metallized Glass	3198 021 33320
3524	Res, 56K, 5%, 1/10W, Metallized Glass	3198 021 55630	3904	Res, 10K, 5%, 1/16W, Metallized Glass	3198 021 31030
3525	Res, 1k, 5%, Carbon.	3198 021 51020	3905	Res, 3K3, 5%, 1/16W, Metallized Glass	3198 021 33320
3526	Res, 0R1, 5%, 3/5W, Metal Film . . .	3198 012 11070	3906	Res, 10K, 5%, 1/16W, Metallized Glass	3198 021 31030
3527	Res, 0R33, 5%, 3/5W, Metal Film. . .	3198 012 13370	3907	Res, 8K2, 5%, 1/16W, Metallized Glass	3198 021 38220
3528	Res, Zero ohm, Chip Jumper	3198 021 90020	4001	Res, Zero ohm, 'Chip' Jumper	3198 021 90030
3529	Res, 47K, 5%, 1/10W, Metallized Glass	3198 021 54730	4002	Res, Zero ohm, 'Chip' Jumper	3198 021 90030
3530	Res, 10K, 5%, Carbon	3198 021 51030	4170	Res, Zero ohm, Chip Jumper	3198 021 90020
3531	Res, 4K7, 5%, 1/10W, Metallized Glass	3198 021 54720	4181	Res, Zero ohm, 'Chip' Jumper	3198 021 90030
S 3532	Res, 2K2, 5%, 1/3W, Metal Film . . .	2306 204 03222	4209	Res, Zero ohm, 'Chip' Jumper	3198 021 90030
3541	Res, 470 ohm, 5%, 1/10W, Metallized G	lass 3198 021 54710	4216	Res, Zero ohm, 'Chip' Jumper	3198 021 90030
3542	Res, 1K5, 5%, 1/10W, Metallized Glass	3198 021 51520	4217	Res, Zero ohm, 'Chip' Jumper	3198 021 90030
3543	Res, 82K, 1%, 3/5W, Metal Film . . .	2312 915 18203	4401	Res, Zero ohm, Chip Jumper	3198 021 90020
3544	Res, 4K7, 1%, 1/8W, Metallized Glass	2322 734 64702	4402	Res, Zero ohm, Chip Jumper	3198 021 90020
3545	Res, 270K, 5%, 1/8W, Metallized Glass	2322 730 61274	4430	Res, Zero ohm, Chip Jumper	3198 021 90020
3548	Res, 15K, 5%, 1/10W, Metallized Glass	3198 021 51530	4500	Res, Zero ohm, Chip Jumper	3198 021 90020
3552	Res, 4K7, 5%, 1/10W, Metallized Glass	3198 021 54720	4601	Res, Zero ohm, Chip Jumper	3198 021 90020
3557	Res, 1k, 5%, Carbon.	3198 021 51020	4613	Res, Zero ohm, Chip Jumper	3198 021 90020
3560	Res, 47 ohm, 5%, 1/6W, Carbon Film . .	3198 011 04790	4614	Res, Zero ohm, Chip Jumper	3198 021 90020
3561	Res, 100 ohm, 5%, 1/6W, Carbon Film.	3198 011 01010	4615	Res, Zero ohm, 'Chip' Jumper	3198 021 90030
3562	Res, 12K, 5%, 1/10W, Metallized Glass	3198 021 51230	4617	Res, Zero ohm, Chip Jumper	3198 021 90020
3563	Res, 5K6, 5%, 1/10W, Metallized Glass	3198 021 55620	4618	Res, Zero ohm, Chip Jumper	3198 021 90020
3564	Res, 0R1, 5%, 1 1/3W, Metal Film . . .	3198 012 21070	4619	Res, Zero ohm, Chip Jumper	3198 021 90020
3565	Res, 330 ohm, 5%, 1W, Metal Film . . .	3198 012 13310	4622	Res, Zero ohm, Chip Jumper	3198 021 90020
3566	Res, 2K2, 5%, 1/10W, Metallized Glass	3198 021 52220	4623	Res, Zero ohm, Chip Jumper	3198 021 90020
3567	Res, 1K8, 5%, 1/16W, Metallized Glass	3198 021 31820	4691	Res, Zero ohm, Chip Jumper	3198 021 90020
3568	Res, 8K2, 5%, 1/10W, Metallized Glass	3198 021 58220	4692	Res, Zero ohm, Chip Jumper	3198 021 90020
3569	Res, 5K6, 5%, 1/10W, Metallized Glass	3198 021 55620	4693	Res, Zero ohm, Chip Jumper	3198 021 90020
3580	Res, 47K, 5%, 1/10W, Metallized Glass	3198 021 54730	4696	Res, Zero ohm, Chip Jumper	3198 021 90020
3594	Res, 330 ohm, 5%, 1/10W, Metallized G	lass 3198 021 53310	4831	Res, Zero ohm, Chip Jumper	3198 021 90020
3595	Res, 220K, 5%, 1/10W, Metallized Glas	3198 021 52240	4833	Res, Zero ohm, Chip Jumper	3198 021 90020
3596	Res, 220K, 5%, 1/10W, Metallized Glas	3198 021 52240	4835	Res, Zero ohm, Chip Jumper	3198 021 90020
3601	Res, 8K2, 5%, 1/6W, Carbon Film. . .	3198 011 08220	4901	Res, Zero ohm, Chip Jumper	3198 021 90020
3603	Res, 100 ohm, 5%, 1/6W, Carbon Film.	3198 011 01010	4903	Res, Zero ohm, Chip Jumper	3198 021 90020
3604	Res, 100 ohm, 5%, 1/6W, Carbon Film.	3198 011 01010	4982	Res, Zero ohm, Chip Jumper	3198 021 90020
3605	Res, 4K7, 5%, 1/16W, Metallized Glass	3198 021 34720	5001	Coil, 27u.	3198 018 22790
3606	Res, 2K2, 5%, 1/6W, Carbon Film. . .	3198 011 02220	5002	Coil, 820n	3198 018 18270
3607	Res, 2K2, 5%, 1/6W, Carbon Film. . .	3198 011 02220	5201	Coil, 6u8.	3198 018 16880
3608	Res, 100 ohm, 5%, 1/6W, Carbon Film.	3198 011 01010	5202	Coil, 10u.	3198 018 21090
3609	Res, 1K, 5%, 1/6W, Carbon Film . . .	3198 011 01020	5204	Fixed, Inductor, 100MHZ, 80 ohm. . .	3198 018 90020
3610	Res, 8K2, 5%, 1/6W, Carbon Film. . .	3198 011 08220	5205	Fixed, Inductor, 100MHZ, 80 ohm. . .	3198 018 90020
3611	Res, 100 ohm, 5%, 1/16W, Metallized G	lass 3198 021 31010	5206	Wire Jumper, 0.58MM.	3198 036 90010
3618	Res, 6K8, 5%, 1/6W, Carbon Film. . .	3198 011 06820	5241	Coil, 10u.	3198 018 21090
3622	Res, 100 ohm, 5%, 1/10W, Metallized G	lass 3198 021 51010	5242	Coil, 10u.	3198 018 21090
3623	Res, 4K7, 5%, 1/16W, Metallized Glass	3198 021 34720	S 5445	Transformer, LOT, USLOT+U AT2078 . .	3128 138 11401
3624	Res, 100 ohm, 5%, 1/6W, Carbon Film.	3198 011 01010	5451	Coil, 33u.	3198 018 73390
3625	Res, 100 ohm, 5%, 1/6W, Carbon Film.	3198 011 01010	5452	Fixed, Inductor, 100MHZ, 80 ohm. . .	3198 018 90020
3626	Res, 4K7, 5%, 1/16W, Metallized Glass	3198 021 34720	5457	Coil, Linear Correction, 42u	2422 535 94865
3627	Res, 4K7, 5%, 1/16W, Metallized Glass	3198 021 34720	5461	Transformer, Signal Driver, SC10015-0	0 B 2422 531 02465
3628	Res, 10K, 5%, 1/16W, Metallized Glass	3198 021 31030	5471	Coil, 3u3.	3198 018 73380
3630	Res, 2K2, 5%, 1/16W, Metallized Glass	3198 021 32220	5472	Coil, 3u3.	3198 018 23380
3632	Res, Zero ohm, Chip Jumper	3198 021 90020	5480	Fixed Inductor, 39u, 10%, LAL04. . . .	2422 535 97336
3634	Res, 100 ohm, 5%, 1/6W, Carbon Film.	3198 011 01010	S 5501	Filter, Mains, 5mH, 2A	2422 549 43432
3635	Res, 100 ohm, 5%, 1/6W, Carbon Film.	3198 011 01010	S 5520	Transformer, SMT Layer, SS39009-04 B	2422 531 02459
3636	Res, 100 ohm, 5%, 1/10W, Metallized G	lass 3198 021 51010	5521	Fixed, Inductor, 100MHZ, 50R.	3198 018 90010
3638	Res, 75 ohm, 5%, 1/16W, Metallized Gl	ass. 3198 021 37590	5560	Fixed, Inductor, 100MHZ, 50R.	3198 018 90010
3639	Res, Zero ohm, Chip Jumper	3198 021 90020	5602	Fixed, Inductor, 100MHZ, 50R.	3198 018 90010
3681	Res, 390 ohm, 5%, 1/16W, Metallized G	lass 3198 021 33910	5603	Coil, 5u6.	3198 018 15680
3682	Res, 3K3, 5%, 1/16W, Metallized Glass	3198 021 33320	5604	Coil, 5u6.	3198 018 15680
3683	Res, 390 ohm, 5%, 1/16W, Metallized G	lass 3198 021 33910	5831	Coil, 6u8.	3198 018 16880
3684	Res, 560 ohm, 5%, 1/16W, Metallized G	lass 3198 021 35610	5832	Coil, 6u8.	3198 018 16880
3685	Res, 560 ohm, 5%, 1/16W, Metallized G	lass 3198 021 35610	5833	Coil, 6u8.	3198 018 16880
			5835	Coil, 12u.	3198 018 31290
			6001	Zener Diode, 33 volt	3198 010 23390
			6006	Diode, Signal, 1N4148.	3198 010 10010

S = Safety Part Be sure to use exact replacement part.

27PS60S321 (continued)

6007	Diode, Signal, 1N4148	3198	010	10010	9178	Wire Jumper, 0.58MM	3198	036	90010
6150	Diode, Signal, BAS316	3198	010	10630	9179	Wire Jumper, 0.58MM	3198	036	90010
6201	Diode, Signal, BAS316	3198	010	10630	9181	Wire Jumper, 0.58MM	3198	036	90010
6202	Diode, Signal, BAS316	3198	010	10630	9182	Wire Jumper, 0.58MM	3198	036	90010
6206	Zener Diode, 6.8 volt	3198	020	56880	9183	Wire Jumper, 0.58MM	3198	036	90010
6445	Zener Diode, 10 volt	3198	020	51090	9192	Wire Jumper, 0.58MM	3198	036	90010
6447	Diode, Signal, 1N4148	3198	010	10010	9193	Wire Jumper, 0.58MM	3198	036	90010
6448	Zener Diode, 6.2 volt	9331	668	30133	9406	Wire Jumper, 0.58MM	3198	036	90010
6449	Diode, Signal, BAV99	3198	010	10620	9407	Wire Jumper, 0.58MM	3198	036	90010
6453	Zener Diode, 6.8 volt	3198	020	56880	9408	Wire Jumper, 0.58MM	3198	036	90010
6460	Diode, Rect, BY228/24	9340	559	50112	9409	Wire Jumper, 0.58MM	3198	036	90010
6461	Diode, Rect, RGP30J-L7004	9338	617	60682	9410	Wire Jumper, 0.58MM	3198	036	90010
6462	Zener Diode, 9.1 volt	9331	177	80133	9411	Wire Jumper, 0.58MM	3198	036	90010
6465	Diode, Signal, BAV21	3198	010	10070	9412	Wire Jumper, 0.58MM	3198	036	90010
6466	Diode, Signal, BAV21	3198	010	10070	9413	Wire Jumper, 0.58MM	3198	036	90010
6467	Diode, Signal, BAS316	3198	010	10630	9415	Wire Jumper, 0.58MM	3198	036	90010
6468	Diode, Signal, BAS316	3198	010	10630	9416	Wire Jumper, 0.58MM	3198	036	90010
6469	Diode, Rect, BYD33J	9337	234	20133	9417	Wire Jumper, 0.58MM	3198	036	90010
6470	Diode, Signal, BAV99	3198	010	10620	9418	Wire Jumper, 0.58MM	3198	036	90010
6476	Zener Diode, 15 volt	3198	010	21590	9419	Wire Jumper, 0.58MM	3198	036	90010
6481	Zener Diode, 5.6 volt	3198	010	25680	9421	Wire Jumper, 0.58MM	3198	036	90010
6482	Zener Diode, 9.1 volt	9331	177	80133	9422	Wire Jumper, 0.58MM	3198	036	90010
6483	Zener Diode, 33 volt	3198	010	23390	9423	Wire Jumper, 0.58MM	3198	036	90010
6485	Diode, Rect, BYD33J	9337	234	20133	9425	Wire Jumper, 0.58MM	3198	036	90010
6486	Diode, Rect, EGP20DL-5100	9322	164	42682	9427	Wire Jumper, 0.58MM	3198	036	90010
6487	Diode, Rect, BYD33D	9337	234	00133	9453	Wire Jumper, 0.58MM	3198	036	90010
6488	Diode, Rect, EGP20DL-5100	9322	164	42682	9460	Wire Jumper, 0.58MM	3198	036	90010
6500	Diode, Bridge Rect, GBU4JL-7002	9322	132	55667	9500	Wire Jumper, 0.58MM	3198	036	90010
6520	Diode, Rect, BYD33D	9337	234	00133	9501	Wire Jumper, 0.58MM	3198	036	90010
6523	Diode, Signal, 1N4148	3198	010	10010	9503	Wire Jumper, 0.58MM	3198	036	90010
6524	Diode, Rect, 1N5062	3198	010	10120	S 9506	Wire Jumper, 0.58MM	3198	036	90010
6525	Diode, Rect, 1N5062	3198	010	10120	S 9507	Wire Jumper, 0.58MM	3198	036	90010
6526	Zener Diode, 22 volt	3198	020	52290	9510	Wire Jumper, 0.58MM	3198	036	90010
6540	Zener Diode, 6.2 volt	9331	668	30133	9512	Wire Jumper, 0.58MM	3198	036	90010
6541	Zener Diode, 9.1 volt	9322	150	08685	9513	Wire Jumper, 0.58MM	3198	036	90010
6560	Diode, Rect, BYV29X-500	9340	555	59127	9514	Wire Jumper, 0.58MM	3198	036	90010
6562	Diode, Rect, EGP20DL-5100	9322	164	42682	9515	Wire Jumper, 0.58MM	3198	036	90010
6563	Diode, Signal, BAS316	3198	010	10630	9516	Wire Jumper, 0.58MM	3198	036	90010
6565	Diode, Signal, BAV70	9331	849	10215	9518	Wire Jumper, 0.58MM	3198	036	90010
6566	Diode, Signal, 1N4148	3198	010	10010	9520	Wire Jumper, 0.58MM	3198	036	90010
6569	Diode, Signal, BAS316	3198	010	10630	9521	Wire Jumper, 0.58MM	3198	036	90010
6570	Zener Diode, 6.8 volt	3198	020	56880	9522	Wire Jumper, 0.58MM	3198	036	90010
6580	Diode, Signal, BAS316	3198	010	10630	9524	Wire Jumper, 0.58MM	3198	036	90010
6681	Diode Signal, IG BAT85	9336	247	60133	9525	Wire Jumper, 0.58MM	3198	036	90010
6691	LED, VS LTL-10224WHCR	9322	050	99682	9528	Wire Jumper, 0.58MM	3198	036	90010
6692	IR, Receiver, TSOP1836UH3V	9322	127	54667	9610	Wire Jumper, 0.58MM	3198	036	90010
6831	Diode, Signal, 1N4148	3198	010	10010	9611	Coil, 27u	3198	018	22790
6901	Res, Zero ohm, Chip Jumper	3198	021	90020	9612	Wire Jumper, 0.58MM	3198	036	90010
7101	Transistor, NPN, BC847B	3198	010	42030	9613	Wire Jumper, 0.58MM	3198	036	90010
7102	Transistor, PNP, BC857B	3198	010	42150	9614	Wire Jumper, 0.58MM	3198	036	90010
7103	Transistor, NPN, BC847B	3198	010	42030	9615	Wire Jumper, 0.58MM	3198	036	90010
7172	Transistor, PNP, BC857B	3198	010	42150	9616	Wire Jumper, 0.58MM	3198	036	90010
7173	Transistor, NPN, BC847B	3198	010	42030	9617	Wire Jumper, 0.58MM	3198	036	90010
7174	Transistor, PNP, BC857B	3198	010	42150	9618	Wire Jumper, 0.58MM	3198	036	90010
7200	IC, SM TDA9587H/NL/3	9352	716	32557	9619	Wire Jumper, 0.58MM	3198	036	90010
7201	Transistor, NPN, BC847B	3198	010	42030	9620	Wire Jumper, 0.58MM	3198	036	90010
7204	Transistor, PNP, BC857B	3198	010	42150	9621	Wire Jumper, 0.58MM	3198	036	90010
7205	Transistor, PNP, BC857B	3198	010	42150	9622	Wire Jumper, 0.58MM	3198	036	90010
7208	Transistor, PNP, BC857B	3198	010	42150	9623	Wire Jumper, 0.58MM	3198	036	90010
7441	Transistor, PNP, BC857B	3198	010	42150	9624	Wire Jumper, 0.58MM	3198	036	90010
7443	Transistor, PNP, BC557B	3198	020	40110	9625	Wire Jumper, 0.58MM	3198	036	90010
7450	Transistor, PNP, PDTA114ET	3198	010	44010	9626	Wire Jumper, 0.58MM	3198	036	90010
7460	Transistor, NPN, BU4508DX	9340	550	92127	9627	Wire Jumper, 0.58MM	3198	036	90010
7461	Transistor, NPN, BC337-25	3198	020	43530	9628	Wire Jumper, 0.58MM	3198	036	90010
7462	Transistor, NPN, PDTCT143ZT	9340	547	00215	9629	Wire Jumper, 0.58MM	3198	036	90010
7463	Transistor, PNP, BC327-25	3198	020	43430	9630	Wire Jumper, 0.58MM	3198	036	90010
7471	IC, TDA8359J/N2	9352	701	64112	9631	Wire Jumper, 0.58MM	3198	036	90010
7480	Transistor, NPN, BDL135	3198	020	41010	9632	Wire Jumper, 0.58MM	3198	036	90010
7482	Transistor, NPN, BDL135	3198	020	41010	9633	Wire Jumper, 0.58MM	3198	036	90010
S 7515	Optical Coupler, TCET1104(G)	9322	175	72667	9634	Wire Jumper, 0.58MM	3198	036	90010
7520	IC, TEA1507P/NL	9352	673	56112	9637	Wire Jumper, 0.58MM	3198	036	90010
7521	FET Power STP8NC50FP	9322	160	72687	9638	Wire Jumper, 0.58MM	3198	036	90010
7522	Transistor, NPN, BC847B(COL)	3198	010	42030	9639	Wire Jumper, 0.58MM	3198	036	90010
7540	Transistor, NPN, BC547B(COL)	3198	020	40030	9640	Wire Jumper, 0.58MM	3198	036	90010
7541	Transistor, NPN, PDTCT14ET	9340	310	10215	9641	Wire Jumper, 0.58MM	3198	036	90010
7542	Transistor, PNP, BC857B(COL)	3198	010	42150	9642	Wire Jumper, 0.58MM	3198	036	90010
7560	IC, L78L33ACZ	9322	134	92676	9643	Wire Jumper, 0.58MM	3198	036	90010
7561	Transistor, NPN, PDTCT143ZT	9340	547	00215	9644	Wire Jumper, 0.58MM	3198	036	90010
7562	Transistor, PNP, BC857B(COL)	3198	010	42150	9645	Wire Jumper, 0.58MM	3198	036	90010
7564	Transistor, PNP, BC857B(COL)	3198	010	42150	9646	Wire Jumper, 0.58MM	3198	036	90010
7580	Transistor, PNP, BC857B(COL)	3198	010	42150	9648	Wire Jumper, 0.58MM	3198	036	90010
7602	IC, M24C08-WBNG	9322	154	38682	9650	Wire Jumper, 0.58MM	3198	036	90010
7801	IC, SM HEF4052BT	9333	729	60653	9654	Wire Jumper, 0.58MM	3198	036	90010
7802	IC, SM HEF4052BT	9333	729	60653	9655	Wire Jumper, 0.58MM	3198	036	90010
7831	IC, MSP3445G-PO-B8	9322	160	81682	9656	Wire Jumper, 0.58MM	3198	036	90010
7901	IC, AN7522N	9322	158	65667	9657	Wire Jumper, 0.58MM	3198	036	90010
9001	Wire Jumper, 0.58MM	3198	036	90010	9658	Wire Jumper, 0.58MM	3198	036	90010
9171	Wire Jumper, 0.58MM	3198	036	90010	9659	Wire Jumper, 0.58MM	3198	036	90010
9172	Wire Jumper, 0.58MM	3198	036	90010	9660	Wire Jumper, 0.58MM	3198	036	90010
9173	Wire Jumper, 0.58MM	3198	036	90010	9661	Wire Jumper, 0.58MM	3198	036	90010
9175	Wire Jumper, 0.58MM	3198	036	90010	9662	Wire Jumper, 0.58MM	3198	036	90010
9176	Wire Jumper, 0.58MM	3198	036	90010	9663	Wire Jumper, 0.58MM	3198	036	90010

S = Safety Part Be sure to use exact replacement part.

27PS60S321 (continued)

9664	Wire Jumper, 0.58MM.	3198 036 90010	3335	Res, 100 ohm, 5%, 1/6W, Carbon Film.	3198 011 01010
9665	Wire Jumper, 0.58MM.	3198 036 90010	3336	Res, 1K, 20%, 1/2W, Carbon Film.	3198 013 01020
9666	Wire Jumper, 0.58MM.	3198 036 90010	S 3340	Res, 10 ohm, 5%, 1/2W, Metal Film.	2306 207 03109
9668	Wire Jumper, 0.58MM.	3198 036 90010	S 3341	Res, 1 ohm, 5%, 1/3W, Metal Film.	2306 204 03108
9669	Wire Jumper, 0.58MM.	3198 036 90010	S 3342	Res, 1 ohm, 5%, 1/3W, Metal Film.	2306 204 03108
9670	Wire Jumper, 0.58MM.	3198 036 90010	3343	Res, 1K5, 20%, 1/2W, Carbon Film.	3198 013 01520
9672	Wire Jumper, 0.58MM.	3198 036 90010	3344	Res, 22 ohm, 5%, 1/6W, Carbon Film.	3198 011 02290
9674	Wire Jumper, 0.58MM.	3198 036 90010	3345	VDR DC 1MA/ 50V S MAX 115V A.	2322 593 13507
9675	Wire Jumper, 0.58MM.	3198 036 90010	3346	Res, 22 ohm, 5%, 1/6W, Carbon Film.	3198 011 02290
9676	Wire Jumper, 0.58MM.	3198 036 90010	3347	Res, Zero ohm, Chip Jumper.	3198 021 90020
9678	Wire Jumper, 0.58MM.	3198 036 90010	3350	Res, Zero ohm, Chip Jumper.	3198 021 90020
9679	Wire Jumper, 0.58MM.	3198 036 90010	3353	Res, Zero ohm, Chip Jumper.	3198 021 90020
9680	Wire Jumper, 0.58MM.	3198 036 90010	5342	Coil, 22u.	2422 535 97333
9683	Wire Jumper, 0.58MM.	3198 036 90010	6331	Diode, Signal, BAV21.	3198 010 10070
9685	Wire Jumper, 0.58MM.	3198 036 90010	6332	Diode, Signal, BAS316.	3198 010 10630
9686	Wire Jumper, 0.58MM.	3198 036 90010	6333	Diode, Signal, BAV21.	3198 010 10070
9687	Wire Jumper, 0.58MM.	3198 036 90010	6335	Diode, Signal, BAV21.	3198 010 10070
9688	Wire Jumper, 0.58MM.	3198 036 90010	7330	IC, TDA6107Q/N2.	9352 576 50112
9689	Wire Jumper, 0.58MM.	3198 036 90010	9311	Wire Jumper, 0.58MM.	3198 036 90010
9690	Wire Jumper, 0.58MM.	3198 036 90010	9341	Wire Jumper, 0.58MM.	3198 036 90010
9691	Wire Jumper, 0.58MM.	3198 036 90010	9342	Wire Jumper, 0.58MM.	3198 036 90010
9694	Wire Jumper, 0.58MM.	3198 036 90010	9343	Wire Jumper, 0.58MM.	3198 036 90010
9695	Wire Jumper, 0.58MM.	3198 036 90010			
9697	Wire Jumper, 0.58MM.	3198 036 90010			
9698	Wire Jumper, 0.58MM.	3198 036 90010			
9699	Wire Jumper, 0.58MM.	3198 036 90010			
9821	Wire Jumper, 0.58MM.	3198 036 90010			
9822	Wire Jumper, 0.58MM.	3198 036 90010			
9824	Wire Jumper, 0.58MM.	3198 036 90010			
9825	Wire Jumper, 0.58MM.	3198 036 90010			
9827	Wire Jumper, 0.58MM.	3198 036 90010			
9828	Wire Jumper, 0.58MM.	3198 036 90010			
9829	Wire Jumper, 0.58MM.	3198 036 90010			
9830	Wire Jumper, 0.58MM.	3198 036 90010			
9831	Wire Jumper, 0.58MM.	3198 036 90010			
9832	Wire Jumper, 0.58MM.	3198 036 90010			
9834	Wire Jumper, 0.58MM.	3198 036 90010			
9835	Wire Jumper, 0.58MM.	3198 036 90010			
9836	Wire Jumper, 0.58MM.	3198 036 90010			
9837	Wire Jumper, 0.58MM.	3198 036 90010			
9838	Wire Jumper, 0.58MM.	3198 036 90010			
9839	Wire Jumper, 0.58MM.	3198 036 90010			
9840	Wire Jumper, 0.58MM.	3198 036 90010			
9841	Wire Jumper, 0.58MM.	3198 036 90010			
9842	Wire Jumper, 0.58MM.	3198 036 90010			
9843	Wire Jumper, 0.58MM.	3198 036 90010			
9844	Wire Jumper, 0.58MM.	3198 036 90010			
9845	Wire Jumper, 0.58MM.	3198 036 90010			
9846	Wire Jumper, 0.58MM.	3198 036 90010			
9847	Wire Jumper, 0.58MM.	3198 036 90010			
9848	Wire Jumper, 0.58MM.	3198 036 90010			
9849	Wire Jumper, 0.58MM.	3198 036 90010			
9851	Wire Jumper, 0.58MM.	3198 036 90010			
9901	Wire Jumper, 0.58MM.	3198 036 90010			
9902	Wire Jumper, 0.58MM.	3198 036 90010			
9903	Wire Jumper, 0.58MM.	3198 036 90010			
9904	Wire Jumper, 0.58MM.	3198 036 90010			
9905	Wire Jumper, 0.58MM.	3198 036 90010			
9911	Wire Jumper, 0.58MM.	3198 036 90010			
9912	Wire Jumper, 0.58MM.	3198 036 90010			
9913	Wire Jumper, 0.58MM.	3198 036 90010			
9914	Wire Jumper, 0.58MM.	3198 036 90010			
9915	Wire Jumper, 0.58MM.	3198 036 90010			
9916	Wire Jumper, 0.58MM.	3198 036 90010			
9918	Wire Jumper, 0.58MM.	3198 036 90010			
9919	Wire Jumper, 0.58MM.	3198 036 90010			
9920	Wire Jumper, 0.58MM.	3198 036 90010			
9921	Wire Jumper, 0.58MM.	3198 036 90010			
9922	Wire Jumper, 0.58MM.	3198 036 90010			
9991	Wire Jumper, 0.58MM.	3198 036 90010			
9994	Wire Jumper, 0.58MM.	3198 036 90010			
9996	Wire Jumper, 0.58MM.	3198 036 90010			
9998	Wire Jumper, 0.58MM.	3198 036 90010			
CBA	Main Chassis Assembly.	3139 177 27041			

Side AV+HP Panel Parts - 313912723881

	Side AV+HP Panel Parts - 313912723881				
	Side AV+HP Panel Assembly.	3139 127 23881			
0232	1 Pin Headphone Socket.	2422 026 04747			
0250	3 Pin Cinch Socket.	2422 026 04815			
0251	6 Pin Connector.	2422 025 12482			
0254	5 Pin Connector.	2422 025 12481			
0255	4 Pin Connector.	2422 025 12479			
2171	Cap, 470p, 10%, 50v, Ceramic.	3198 019 14710			
2172	Cap, 470p, 10%, 50v, Ceramic.	3198 019 14710			
2173	Cap, 470p, 10%, 50v, Ceramic.	3198 019 14710			
2174	Cap, 470p, 10%, 50v, Ceramic.	3198 019 14710			
2176	Cap, 470p, 10%, 50v, Ceramic.	3198 019 14710			
2177	Cap, 10u, 20%, 50v, Electrolytic.	3198 025 51090			
2178	Cap, 470p, 10%, 50v, Ceramic.	3198 019 14710			
2179	Cap, 10u, 20%, 50v, Electrolytic.	3198 025 51090			
3150	Res, 47K, 5%, 1/6W, Carbon Film.	3198 011 04730			
3151	Res, 150 ohm, 5%, 1/6W, Carbon Film.	3198 011 01510			
3152	Res, 47K, 5%, 1/6W, Carbon Film.	3198 011 04730			
3153	Res, 150 ohm, 5%, 1/6W, Carbon Film.	3198 011 01510			
3156	Res, 120 ohm, 5%, 1/6W, Carbon Film.	3198 011 01210			
3157	Res, 120 ohm, 5%, 1/6W, Carbon Film.	3198 011 01210			
6161	Zener Diode, 6.8 volt.	3198 010 26880			
9153	Jumper.	3198 036 90010			
9170	Jumper.	3198 036 90010			
9171	Jumper.	3198 036 90010			

PIP Panel Parts - 313917721831

	PIP Panel Parts - 313917721831				
	PIP Panel Assembly.	3139 177 21831			
0134	Bracket, PIP.	3139 124 33161			
0192	Cable, 4 Pin, 280mm.	3139 110 38681			
0193	Cable, 7 Pin, 280mm.	3139 131 01731			
0194	Cable, 5 Pin, 280mm.	3139 110 38811			
0195	Cable, 5 Pin, 280mm.	3139 131 01741			
0197	Cable, 4 Pin, 280mm.	3139 110 38681			
0198	Cable, 4 Pin, 280mm.	3139 110 38681			
0216	Connector, 3 Pin.	2412 020 00725			
0226	Connector, 4 Pin.	2422 025 12479			
0229	Connector, 2 Pin.	2422 025 16343			
0235	Connector, 2 Pin.	2412 020 00724			
0240	Connector, 4 Pin.	2422 025 12479			
0242	Connector, 5 Pin.	2422 025 12481			
0243	Connector, 2 Pin.	2412 020 00724			
0266	Connector, 3 Pin.	2412 020 00725			
0284	Connector, 4 Pin.	2422 025 12479			
1802	Resinator Crystal, 14M31818, 20P.	2422 543 00904			
2800	Cap, 470n, +80/-20%, 16v, Ceramic.	3198 017 24740			
2801	Cap, 100n, +80/-20%, 25v, Ceramic.	3198 023 21040			
2802	Cap, 100n, +80/-20%, 25v, Ceramic.	3198 023 21040			
2803	Cap, 47u, 20%, 25v, Electrolytic.	3198 025 34790			
2804	Cap, 10u, 20%, 50v, Electrolytic.	3198 025 51090			
2805	Cap, 100n, +80/-20%, 25v, Ceramic.	3198 023 21040			
2806	Cap, 100u, 20%, 25v, Electrolytic.	3198 025 31010			
2807	Cap, 47p, 5%, 50v, Ceramic.	3198 016 04790			
2808	Cap, 10u, 20%, 50v, Electrolytic.	3198 025 51090			
2809	Cap, 10n, 10%, 50v, Ceramic.	3198 017 01030			
2810	Cap, 10n, 10%, 50v, Ceramic.	3198 017 01030			
2811	Cap, 10n, 10%, 50v, Ceramic.	3198 017 01030			
2812	Cap, 47u, 20%, 25v, Electrolytic.	3198 025 34790			
2813	Cap, 10u, 20%, 50v, Electrolytic.	3198 025 51090			
2814	Cap, 10n, 10%, 50v, Ceramic.	3198 017 01030			
2815	Cap, 10n, 10%, 50v, Ceramic.	3198 017 01030			
2816	Cap, 10n, 10%, 50v, Ceramic.	3198 017 01030			
2819	Cap, 12p, 5%, 50v, Ceramic.	3198 016 01290			
2820	Cap, 220n, +80/-20%, 25v, Ceramic.	3198 023 22240			
2821	Cap, 220n, +80/-20%, 25v, Ceramic.	3198 023 22240			
2822	Cap, 33n, 10%, 50v, Ceramic.	3198 017 03330			
2823	Cap, 10n, 10%, 50v, Ceramic.	3198 017 01030			

CRT Panel Parts (Part of Main Chassis)

	CRT Panel Parts (Part of Main Chassis)				
0244	Connector, 5 Pin.	2422 025 04853			
0245	Connector, 6 Pin.	2422 025 04854			
S 0254	CRT Socket, 9 Pin.	2422 500 80076			
2330	Cap, 100n, 10%, 250v, Metallized Polyester.	2222 368 90177			
2340	Cap, 10u, 20%, 250v, Electrolytic.	2020 012 93495			
2341	Cap, 3n3, 10%, 500v, Ceramic.	3198 019 43320			
2342	Cap, 560p, 5%, 50v, Ceramic.	3198 016 05610			
2343	Cap, 3n3, 10%, 2000v, Ceramic.	2020 558 90529			
2344	Cap, 100n, +80/-20%, 25v, Ceramic.	3198 023 21040			
2345	Cap, 1n, 10%, 500v, Ceramic.	3198 019 41020			
3331	Res, 100 ohm, 5%, 1/6W, Carbon Film.	3198 011 01010			
3332	Res, 1K, 20%, 1/2W, Carbon Film.	3198 013 01020			
3333	Res, 100 ohm, 5%, 1/6W, Carbon Film.	3198 011 01010			
3334	Res, 1K, 20%, 1/2W, Carbon Film.	3198 013 01020			

S = Safety Part. Be sure to use exact replacement part.

27PS60S321 (continued)

2824	Cap, 47u, 20%, 25v, Electrolytic	3198 025 34790	4871	Res, Zero ohm, "Chip" Jumper	3198 021 90020
2825	Cap, 10n, 10%, 50v, Ceramic.	3198 017 01030	4872	Res, Zero ohm, "Chip" Jumper	3198 021 90020
2826	Cap, 560p, 5%, 50v, Ceramic.	3198 016 05610	4909	Res, Zero ohm, "Chip" Jumper	3198 021 90020
2827	Cap, 10n, 10%, 50v, Ceramic.	3198 017 01030	5890	Coil, 10u.	3198 018 21090
2828	Cap, 100n, +80/-20%, 25v, Ceramic.	3198 023 21040	5891	Coil, 10u.	3198 018 21090
2829	Cap, 47u, 20%, 25v, Electrolytic	3198 025 34790	5892	Coil, 10u.	3198 018 21090
2830	Cap, 100n, +80/-20%, 25v, Ceramic.	3198 023 21040	6800	Diode, Signal, BAT85	9336 247 60133
2831	Cap, 47u, 20%, 25v, Electrolytic	3198 025 34790	6801	Diode, Signal, BAT85	9336 247 60133
2832	Cap, 100n, +80/-20%, 25v, Ceramic.	3198 023 21040	6802	Diode, Signal, BAT85	9336 247 60133
2833	Cap, 47u, 20%, 25v, Electrolytic	3198 025 34790	6890	Zener Diode, 3.9 volt.	3198 020 53980
2834	Cap, 100n, 10%, 16v, Ceramic.	3198 017 01040	7801	IC, HEF4053BT.	9333 729 60653
2837	Cap, 10n, 10%, 50v, Ceramic.	3198 017 01030	7802	IC, N74F06N.	9339 990 90602
2858	Cap, 47u, 20%, 25v, Electrolytic	3198 025 34790	7803	IC, M65669SP	9322 146 60682
2859	Cap, 470n, +80/-20%, 16v, Ceramic.	3198 017 24740	7804	Transistor, NPN, BC847B.	3198 010 42030
2862	Cap, 390p, 5%, 50v, Ceramic.	3198 016 03910	7805	Transistor, NPN, BC847B.	3198 010 42030
2890	Cap, 100u, 20%, 25v, Electrolytic.	3198 025 31010	7806	Transistor, NPN, BC847B.	3198 010 42030
2891	Cap, 10n, 10%, 50v, Ceramic.	3198 017 01030	7807	Transistor, NPN, BC847B.	3198 010 42030
2892	Cap, 47u, 20%, 25v, Electrolytic	3198 025 34790	7810	Transistor, NPN, BC847B.	3198 010 42030
2893	Cap, 47u, 20%, 25v, Electrolytic	3198 025 34790	7813	Transistor, NPN, BC847B.	3198 010 42030
2894	Cap, 10n, 10%, 50v, Ceramic.	3198 017 01030	7816	Transistor, NPN, BC847B.	3198 010 42030
3801	Res, 100 ohm, 5%, 1/10W, Metalized Gl ass.	3198 021 51010	7818	IC, HEF4053BT.	9333 729 60653
3802	Res, 100 ohm, 5%, 1/10W, Metalized Gl ass.	3198 021 51010	7820	Transistor, NPN, BC847B.	3198 010 42030
3803	Res, 1K, 5%, 1/6W, Carbon Film	3198 011 01020	7890	IC, MC78M05CT.	9334 703 90687
3804	Res, 1K5, 5%, 1/6W, Carbon Film.	3198 011 01520	7891	Transistor, NPN, BC337	9331 796 00126
3805	Res, 100 ohm, 5%, 1/10W, Metalized Gl ass.	3198 021 51010	9800	Wire Jumper, 0.58MM.	3198 036 90010
3806	Res, 2K7, 5%, 1/10W, Metalized Glass	3198 021 52720	9810	Wire Jumper, 0.58MM.	3198 036 90010
3807	Res, 8K2, 5%, 1/10W, Metalized Glass	3198 021 58220	9912	Wire Jumper, 0.58MM.	3198 036 90010
3808	Res, 8K2, 5%, 1/10W, Metalized Glass	3198 021 58220	9913	Wire Jumper, 0.58MM.	3198 036 90010
3809	Res, 8K2, 5%, 1/10W, Metalized Glass	3198 021 58220	9914	Wire Jumper, 0.58MM.	3198 036 90010
3810	Res, 10K, 5%, 1/10W, Metalized Glass	3198 021 51030	9915	Wire Jumper, 0.58MM.	3198 036 90010
3812	Res, 10K, 5%, 1/10W, Metalized Glass	3198 021 51030	9917	Wire Jumper, 0.58MM.	3198 036 90010
3813	Res, 15K, 5%, 1/6W, Carbon Film.	3198 011 01530	9919	Wire Jumper, 0.58MM.	3198 036 90010
3814	Res, 1K, 5%, 1/10W, Metalized Glass.	3198 021 51020	9920	Wire Jumper, 0.58MM.	3198 036 90010
3815	Res, 1K, 5%, 1/10W, Metalized Glass.	3198 021 51020	9921	Wire Jumper, 0.58MM.	3198 036 90010
3816	Res, 820 ohm, 5%, 1/10W, Metalized Gl ass.	3198 021 58210	9922	Wire Jumper, 0.58MM.	3198 036 90010
3817	Res, 1K, 5%, 1/10W, Metalized Glass.	3198 021 51020	9924	Wire Jumper, 0.58MM.	3198 036 90010
3818	Res, 15K, 5%, 1/10W, Metalized Glass	3198 021 51530	9925	Wire Jumper, 0.58MM.	3198 036 90010
3819	Res, 10K, 5%, 1/10W, Metalized Glass	3198 021 51030	9927	Wire Jumper, 0.58MM.	3198 036 90010
3820	Res, 1K, 5%, 1/6W, Carbon Film	3198 011 01020	9928	Wire Jumper, 0.58MM.	3198 036 90010
3821	Res, 390 ohm, 5%, 1/10W, Metalized Gl ass.	3198 021 53910	9929	Wire Jumper, 0.58MM.	3198 036 90010
3822	Res, 390 ohm, 5%, 1/10W, Metalized Gl ass.	3198 021 53910			
3823	Res, 390 ohm, 5%, 1/10W, Metalized Gl ass.	3198 021 53910			
3824	Res, 15K, 5%, 1/10W, Metalized Glass	3198 021 51530			
3827	Res, 330 ohm, 5%, 1/10W, Metalized Gl ass.	3198 021 53310			
3828	Res, 4M7, 5%, 1/10W, Metalized Glass	3198 021 54750			
3829	Res, 15K, 5%, 1/10W, Metalized Glass	3198 021 51530			
3830	Res, 2K2, 5%, 1/10W, Metalized Glass	3198 021 52220			
3831	Res, 1M, 5%, 1/10W, Metalized Glass.	3198 021 51050			
3832	Res, 100 ohm, 5%, 1/6W, Carbon Film.	3198 011 01010			
3833	Res, 100 ohm, 5%, 1/10W, Metalized Gl ass.	3198 021 51010			
3834	Res, 100 ohm, 5%, 1/10W, Metalized Gl ass.	3198 021 51010			
3836	Res, 1K, 5%, 1/10W, Metalized Glass.	3198 021 51020			
3838	Res, 220 ohm, 5%, 1/10W, Metalized Gl ass.	3198 021 52210			
3839	Res, 390 ohm, 5%, 1/10W, Metalized Gl ass.	3198 021 53910			
3840	Res, Zero ohm, "Chip" Jumper	3198 021 90020			
3843	Res, 220 ohm, 5%, 1/10W, Metalized Gl ass.	3198 021 52210			
3844	Res, 390 ohm, 5%, 1/10W, Metalized Gl ass.	3198 021 53910			
3845	Res, Zero ohm, "Chip" Jumper	3198 021 90020			
3848	Res, 220 ohm, 5%, 1/10W, Metalized Gl ass.	3198 021 52210			
3849	Res, 390 ohm, 5%, 1/10W, Metalized Gl ass.	3198 021 53910			
3850	Res, Zero ohm, "Chip" Jumper	3198 021 90020			
3852	Res, 12K, 5%, 1/10W, Metalized Glass	3198 021 51230			
3853	Res, 12K, 5%, 1/10W, Metalized Glass	3198 021 51230			
3854	Res, 15K, 5%, 1/10W, Metalized Glass	3198 021 51530			
3856	Res, 820 ohm, 5%, 1/10W, Metalized Gl ass.	3198 021 58210			
3857	Res, Zero ohm, "Chip" Jumper	3198 021 90020			
3858	Res, 1K2, 5%, 1/10W, Metalized Glass	3198 021 51220			
3859	Res, 47K, 5%, 1/10W, Metalized Glass	3198 021 54730			
3860	Res, 1K8, 5%, 1/10W, Metalized Glass	3198 021 51820			
3862	Res, 33 ohm, 5%, 1/10W, Metalized Gla ss.	3198 021 53390			
3865	Res, 150 ohm, 5%, 1/6W, Carbon Film.	3198 011 01510			
3890	Res, 68 ohm, 5%, 1/6W, Carbon Film	3198 011 06890			
4800	Res, Zero ohm, "Chip" Jumper	3198 021 90020			
4870	Res, Zero ohm, "Chip" Jumper	3198 021 90020			

S = Safety Part Be sure to use exact replacement part.

27RF50S325 - Manual no. 7629

Cabinet & Accessory Parts

	Cabinet & Accessory Parts			2213	Cap, 22n, 10%, 50v, Ceramic.	3198	017	02230	
S AC01	AC Cord.	3135	010	03831	2214	Cap, 22n, 10%, 50v, Ceramic.	3198	017	02230
AC03	Battery, 1.5V, 2-PACK.	9299	000	65263	2215	Cap, 22n, 10%, 50v, Ceramic.	3198	017	02230
AC04	Cabinet Back	3139	124	36761	2216	Cap, 1000u, 20%, 16v, Electrolytic	3198	026	21020
AC07	Chassis Tray	3139	124	31323	2217	Cap, 22n, 10%, 25v, Ceramic.	3198	017	32230
AC09	Clip, Anode Lead	3135	014	04471	2219	Cap, 220n, +80/-20%, 25v, Ceramic. . . .	3198	023	22240
S AC10	CRT, A68QCP893X001	9322	173	75682	2220	Cap, 470n, 10%, 50v, Polyester	3198	014	04740
S AC12	Degaussing Coil.	2422	549	43967	2221	Cap, 22n, 10%, 50v, Ceramic.	3198	017	02230
AC13	Holder, Degaussing Coil (4 Used)	3139	124	31122	2241	Cap, 1n5, 10%, 50v, Ceramic.	3198	017	31520
AC16	Owner's Manual	3121	235	20241	2242	Cap, 1u, +80/-20%, 10v, Ceramic.	3198	017	41050
AC16b	Quick Use Guide.	3121	233	41211	2243	Cap, 2n2, 10%, 50v, Ceramic.	3198	017	02220
REMOTE	Remote Transmitter, RC19036002/01.	3139	228	88001	2244	Cap, 100n, 5%, 63v, Metallized Polyes ter.	2222	370	76104
AC20	Cabinet Front Assembly f/27RF50S325.	3121	237	51822	2245	Cap, 220n, +80/-20%, 16v, Ceramic.	3198	023	22240
AC20a	Cabinet Front.	3139	137	88401	2247	Cap, 1000u, 20%, 16v, Electrolytic	3198	026	21020
AC20d	Light Guide.	3139	124	33811	2248	Cap, 22n, 10%, 50v, Ceramic.	3198	017	02230
AC20g	Power Button Cover	3139	124	32921	2249	Cap, 22n, 10%, 25v, Ceramic.	3198	017	32230
AC20h	Power Button Shaft	3139	124	32791	2250	Cap, 2u2, 20%, 50v, Electrolytic	3198	025	52280
AC20j	Speaker, 16ohm, 5W (2 Used).	3139	128	76071	2252	Cap, 1n, 5%, 25v, Ceramic.	3198	016	31020
AC20k	Top Control Panel.	3139	127	23901	2253	Cap, 1n, 5%, 25v, Ceramic.	3198	016	31020
AC20k1	Top Control Bracket.	3139	124	33941	2254	Res, Zero ohm, Chip Jumper	3198	021	90020
AC20k2	Top Control Button	3139	124	30391	2401	Cap, 2u2, 20%, 50v, Electrolytic	2020	021	90552
AC20k3	Top Control Cover.	3139	124	31131	2402	Cap, 470p, 10%, 500v, Ceramic.	3198	019	44710
S AC21	Deflection Yoke, ITC (Supplied with C RT).	000-	--	----	2404	Cap, 47u, 20%, 50v, Electrolytic	3198	025	54790

Main Chassis Assembly Parts

	Main Chassis Assembly Parts								
0127	Socket Fuse.	2422	088	00271	2444	Cap, 1u, 20%, 50v, Electrolytic.	3198	025	51080
S 0211	Connector, 2 Pin	2422	025	16374	2450	Cap, 47u, 20%, 160v, Electrolytic.	2020	021	91139
S 0212	Connector, 2 Pin	2422	025	16375	2451	Cap, 22n, 10%, 50v, Polyester.	3198	014	02230
0214	Connector, 5 Pin	2422	025	12481	2452	Cap, 180p, 5%, 50v, Ceramic.	3198	016	01810
0219	Connector, 6 Pin	2422	025	12482	2455	Cap, 47u, 20%, 25v, Electrolytic	3198	025	34790
0220	Connector, 5 Pin	2422	025	04853	2457	Cap, 360n, 5%, 250v, Polypropylene	2222	479	90019
S 0221	Connector, 4 Pin	2422	025	15503	2458	Cap, 2u2, 20%, 100v, Electrolytic.	2020	021	91331
S 0222	Connector, 2 Pin	2422	025	10646	2459	Cap, 680p, 10%, 500v, Ceramic.	3198	019	46810
0223	Socket, Cinch, 9 Pin	2422	026	05236	2460	Cap, 100p, 5%, 50v, Ceramic.	3198	016	01010
0225	Socket, MDIN, 10 Pin	2422	026	04926	2463	Cap, 820p, 10%, 2000v, Ceramic	2020	558	90486
0239	Connector, 3 Pin	2422	025	16382	2464	Cap, 2u2, 5%, 160v, Metallized Polypyr opylene.	2222	479	90042
0243	Connector, 6 Pin	2422	025	04854	2465	Cap, 12n, 5%, 1600v, Polypropylene	2222	375	90156
0246	Connector, 5 Pin	2422	025	12481	2467	Cap, 15n, 10%, 400v, Polyester	2222	347	90219
0267	Connector, 3 Pin	2412	020	00725	2468	Cap, 15n, 10%, 400v, Polyester	2222	347	90219
0269	Socket, Cinch, 3 Pin	2422	026	05182	2471	Cap, 100n, 10%, 50v, Polyester	3198	014	01040
1000	Tuner, V+U PLL	2422	542	90108	2472	Cap, 150n, 10%, 63v, Metallized Polye ster	2222	365	75154
1002	SAW Filter, 45MHZ75, OFWML971M L	2422	549	44518		Cap, 100n, 10%, 63v, Metallized Polye ster	2222	365	75104
1200	Filter, Ceramic, 4MHz5	2422	549	40807	2473	Cap, 2n2, 10%, 50v, Ceramic.	3198	017	02220
S 1500	Fuse, 4A, 250V, IEC	2422	086	10914		Cap, 2n2, 10%, 50v, Ceramic.	3198	017	02220
S 1515	Relay, 1P, 12V	2422	132	07444	2474	Cap, 4n7, 10%, 50v, Ceramic.	3198	017	04720
1660	Crystal Resonator, 12 MHz, 20P, HC49/ U A	2422	543	01203	2476	Cap, 47u, 20%, 25v, Electrolytic	2020	021	90586
1831	Crystal Resonator, 18MHZ432 12P HC49 /U A	2422	543	00842	2480	Cap, 470p, 10%, 500v, Ceramic.	3198	019	44710
2004	Cap, 47n, 10%, 16v, Ceramic.	3198	017	34730	2481	Cap, 120n, 5%, 250v, Metallized Polyp ropylene	2222	479	90051
2005	Cap, 10u, 20%, 50v, Electrolytic	3198	025	51090	2482	Cap, 4u7, 20%, 250v, Electrolytic.	2020	021	90856
2006	Cap, 470u, 20%, 16v, Electrolytic.	3198	025	24710	2485	Cap, 470u, 20%, 16v, Electrolytic.	2020	021	91577
2007	Cap, 100n, +80/-20%, 25v, Ceramic.	3198	023	41040	2486	Cap, 47u, 20%, 50v, Electrolytic	2020	021	90854
2008	Cap, 100u, 20%, 25v, Electrolytic.	3198	025	31010	2487	Cap, 1000u, 20%, 16v, Electrolytic	2020	021	91049
2009	Cap, 22n, 10%, 25v, Ceramic.	3198	017	32230	2488	Cap, 470u, 20%, 16v, Electrolytic.	2020	021	91577
2101	Cap, 470n, +80/-20%, 16v, Ceramic.	3198	017	24740	2489	Cap, 1n, 10%, 500v, Ceramic.	3198	019	41020
2102	Cap, 22p, 5%, 50v, Ceramic.	3198	016	02290	2491	Cap, 470n, 20%, 275v, Metallized Poly propylene.	2222	336	29148
2103	Cap, 330p, 10%, 50v, Ceramic.	3198	017	33310	S 2500	Cap, 2n2, 10%, 1000v, Ceramic.	3198	019	52220
2104	Cap, 330p, 5%, 50v, Ceramic.	3198	016	33310	2501	Cap, 2n2, 10%, 1000v, Ceramic.	3198	019	52220
2105	Cap, 10u, 20%, 50v, Electrolytic	3198	025	51090	2502	Cap, 470u, 20%, 200v, Electrolytic	2020	024	90626
2106	Cap, 10u, 20%, 50v, Electrolytic	3198	025	51090	2503	Cap, 2n2, 10%, 1000v, Ceramic.	3198	019	52220
2111	Cap, 22p, 5%, 50v, Ceramic.	3198	016	02290	2505	Cap, 470p, 10%, 50v, Ceramic.	3198	017	04710
2112	Cap, 22p, 5%, 50v, Ceramic.	3198	016	02290	2507	Cap, 470p, 10%, 1000v, Ceramic.	3198	019	64710
2113	Cap, 22p, 5%, 50v, Ceramic.	3198	016	02290	2508	Cap, 1n5, 20%, v, Ceramic.	2020	554	90128
2121	Cap, 22p, 5%, 50v, Ceramic.	3198	016	02290	S 2515	Cap, 100n, 10%, 16v, Ceramic.	3198	017	01040
2122	Cap, 330p, 5%, 50v, Ceramic.	3198	016	33310	2520	Cap, 22u, 20%, 50v, Electrolytic	3198	025	52290
2123	Cap, 2u2, +80/-20%, 10v, Ceramic.	3198	017	22250	2522	Cap, 100n, 10%, 16v, Ceramic.	3198	017	01040
2124	Cap, 330p, 5%, 50v, Ceramic.	3198	016	33310	2523	Cap, 1n5, 10%, 2000v, Ceramic.	2020	558	90489
2125	Cap, 2u2, +80/-20%, 10v, Ceramic.	3198	017	22250	2525	Cap, 470p, 10%, 50v, Ceramic.	3198	017	04710
2131	Cap, 330p, 5%, 50v, Ceramic.	3198	016	33310	2527	Cap, 2n2, 10%, 50v, Ceramic.	3198	017	02220
2132	Cap, 2u2, +80/-20%, 10v, Ceramic.	3198	017	22250	2528	Cap, 1n, 10%, 50v, Ceramic.	3198	017	01020
2133	Cap, 330p, 5%, 50v, Ceramic.	3198	016	33310	2540	Cap, 10n, 10%, 50v, Ceramic.	3198	017	01030
2134	Cap, 2u2, +80/-20%, 10v, Ceramic.	3198	017	22250	2541	Cap, 10n, 10%, 50v, Ceramic.	3198	017	01030
2135	Cap, 22p, 5%, 50v, Ceramic.	3198	016	02290	2560	Cap, 680p, 10%, 1000v, Ceramic.	2020	558	90472
2136	Cap, 22p, 5%, 50v, Ceramic.	3198	016	02290	2561	Cap, 100u, 20%, 160v, Electrolytic	2020	021	91654
2141	Cap, 330p, 5%, 50v, Ceramic.	3198	016	33310	2562	Cap, 1n, 10%, 50v, Ceramic.	3198	019	11020
2143	Cap, 100n, +80/-20%, 25v, Ceramic.	3198	023	41040	2563	Cap, 100n, 10%, 50v, Polyester	3198	014	01040
2150	Cap, 150n, 10%, 16v, Ceramic.	2238	780	15652	2564	Cap, 2u2, 20%, 25v, Electrolytic	2020	021	91353
2181	Cap, 22p, 5%, 50v, Ceramic.	3198	016	02290	2566	Cap, 470u, 20%, 6.3v, Electrolytic	3198	025	47110
2184	Cap, 2u2, +80/-20%, 10v, Ceramic.	3198	017	22250	2567	Cap, 47u, 20%, 25v, Electrolytic	3198	025	34790
2201	Cap, 100n, +80/-20%, 25v, Ceramic.	3198	023	21040	2568	Cap, 1u, 20%, 50v, Electrolytic	3198	025	51080
2202	Cap, 100n, +80/-20%, 25v, Ceramic.	3198	023	21040	2580	Cap, 47u, 20%, 16v, Electrolytic	3198	028	24790
2203	Cap, 100n, +80/-20%, 25v, Ceramic.	3198	023	41040	2581	Cap, 22u, 20%, 50v, Electrolytic	3198	025	52290
2204	Cap, 100n, +80/-20%, 25v, Ceramic.	3198	023	41040	2601	Cap, 220n, +80/-20%, 25v, Ceramic.	3198	023	22240
2205	Cap, 220n, +80/-20%, 25v, Ceramic.	3198	023	22240	2602	Cap, 100p, 5%, 50v, Ceramic.	3198	016	01010
2208	Cap, 100n, +80/-20%, 25v, Ceramic.	3198	023	41040	2606	Cap, 1n, 10%, 50v, Ceramic.	3198	017	01020
2209	Cap, 4u7, 20%, 50v, Electrolytic.	3198	025	54780	2607	Cap, 33p, 5%, 50v, Ceramic.	3198	016	33390
2210	Cap, 1u, +80/-20%, 16v, Ceramic.	3198	017	21050					
2211	Cap, 470n, +80/-20%, 10v, Ceramic.	3198	017	44740					

S = Safety Part. Be sure to use exact replacement part.

27RF50S325 (continued)

2608	Cap, 1u, +80/-20%, 10v, Ceramic . . .	3198	017	41050	3203	Res, 100 ohm, 5%, 1/6W, Carbon Film.	3198	011	01010
2609	Cap, 33p, 5%, 50v, Ceramic	3198	016	33390	3204	Res, 22K, 5%, 1/6W, Carbon Film. . .	3198	011	02230
2611	Cap, 1u, +80/-20%, 10v, Ceramic. . .	3198	017	41050	3205	Res, 1k, 5%, Carbon.	3198	021	51020
2612	Cap, 68p, 5%, 50v, Ceramic	3198	016	06890	3206	Res, 33K, 5%, 1/16W, Metallized Glass	3198	021	33330
2613	Cap, 68p, 5%, 50v, Ceramic	3198	016	06890	3207	Res, 1K, 5%, 1/6W, Carbon Film. . . .	3198	011	01020
2615	Cap, 1n, 10%, 50v, Ceramic	3198	017	01020	3208	Res, 220 ohm, 5%, 1/16W, Metallized G lass	3198	021	32210
2618	Cap, 1u, +80/-20%, 10v, Ceramic. . .	3198	017	41050	3209	Res, 68 ohm, 5%, 1/16W, Metallized Gl ass.	3198	021	36890
2619	Cap, 1u, +80/-20%, 16v, Ceramic. . . .	3198	017	21050	3212	Res, 470 ohm, 5%, 1/16W, Metallized G lass	3198	021	34710
2801	Cap, 22u, 20%, 50v, Electrolytic . . .	3198	025	52290	3213	Res, 560 ohm, 5%, 1/6W, Carbon Film.	3198	011	05610
2802	Cap, 220n, +80/-20%, 25v, Ceramic. . .	3198	023	22240	3217	Res, 330K, 5%, 1/16W, Metallized Glas	3198	021	33340
2804	Cap, 2u2, +80/-20%, 10v, Ceramic. . .	3198	017	22250	3218	Res, 82K, 5%, 1/16W, Metallized Glass	3198	021	38230
2805	Res, Zero ohm, Chip Jumper	3198	021	90020	3219	Res, 2K2, 5%, 1/16W, Metallized Glass	3198	021	32220
2806	Res, Zero ohm, Chip Jumper	3198	021	90020	3220	Res, 100 ohm, 5%, 1/6W, Carbon Film.	3198	011	01010
2831	Cap, 1p, 25%, 50v, Ceramic	3198	016	31080	3221	Res, 560 ohm, 5%, 1/6W, Carbon Film.	3198	011	05610
2832	Cap, 1p, 25%, 50v, Ceramic	3198	016	31080	3222	Res, 100 ohm, 5%, 1/6W, Carbon Film.	3198	011	01010
2833	Cap, 47p, 5%, 50v, Ceramic	3198	016	34790	3226	Res, 560 ohm, 5%, 1/16W, Metallized G lass	3198	021	35610
2834	Cap, 470p, 5%, 50v, Ceramic.	3198	016	34710	3235	Res, 100 ohm, 5%, 1/6W, Carbon Film.	3198	011	01010
2835	Cap, 220p, 5%, 50v, Ceramic.	3198	016	32210	3241	Res, 22K, 5%, 1/16W, Metallized Glass	3198	021	32230
2836	Cap, 1n5, 10%, 50v, Ceramic.	3198	017	31520	3242	Res, 12K, 5%, 1/10W, Metallized Glass	3198	021	51230
2837	Cap, 4u7, 20%, 50v, Electrolytic . . .	3198	025	54780	3244	Res, 820 ohm, 5%, 1/6W, Carbon Film.	3198	011	08210
2840	Cap, 100n, +80/-20%, 25v, Ceramic. . .	3198	023	41040	3245	Res, 39K, 1%, 1/10W, Metallized Glass	2120	108	92633
2841	Cap, 10u, 20%, 50v, Electrolytic . . .	3198	025	51090	3246	Res, 10k, 5%, Carbon	3198	021	51030
2842	Cap, 100n, +80/-20%, 25v, Ceramic. . .	3198	023	41040	3247	Res, 680K, 5%, 1/10W, Metallized Glas	3198	021	56840
2843	Cap, 10u, 20%, 50v, Electrolytic . . .	3198	025	51090	3248	Res, 33K, 5%, 1/10W, Metallized Glass	3198	021	53330
2844	Cap, 10u, 20%, 50v, Electrolytic . . .	3198	025	51090	3249	Res, 820 ohm, 5%, 1/6W, Carbon Film.	3198	011	08210
2845	Cap, 100n, +80/-20%, 25v, Ceramic. . .	3198	023	41040	3250	Res, 8K2, 5%, 1/6W, Carbon Film. . . .	3198	011	08220
2846	Cap, 100u, 20%, 25v, Electrolytic. . .	3198	025	31010	3251	Res, 100 ohm, 5%, 1/6W, Carbon Film.	3198	011	01010
2849	Cap, 1n, 5%, 25v, Ceramic.	3198	016	31020	3256	Res, 1k, 5%, Carbon.	3198	021	51020
2850	Cap, 1n, 5%, 25v, Ceramic.	3198	016	31020	3257	Res, 10M, 5%, 1/10W, Metallized Glass	3198	021	51060
2851	Res, Zero ohm, Chip Jumper	3198	021	90020	3258	Res, 100K, 5%, 1/10W, Metallized Glas	3198	021	51040
2852	Cap, 1n, 5%, 25v, Ceramic.	3198	016	31020	3259	Res, 470K, 5%, 1/10W, Metallized Glas	3198	021	54740
2853	Res, Zero ohm, Chip Jumper	3198	021	90020	3400	Res, 330 ohm, 5%, 1/6W, Carbon Film.	3198	011	03310
2854	Cap, 1n, 5%, 25v, Ceramic.	3198	016	31020	3401	Res, 220K, 5%, 1/6W, Carbon Film. . .	3198	011	02240
2855	Cap, 33p, 5%, 50v, Ceramic	3198	016	33390	3403	Res, 82K, 1%, 3/5W, Metal Film	2312	915	18203
2856	Cap, 47p, 5%, 50v, Ceramic	3198	016	34790	3404	Res, 1K, 5%, 1/6W, Carbon Film. . . .	3198	011	01020
2857	Cap, 150p, 5%, 50v, Ceramic.	3198	016	31510	3405	Res, 4R7, 5%, 1/6W, Carbon Film. . . .	3198	011	04780
2860	Cap, 180p, 5%, 50v, Ceramic.	3198	016	31810	3406	Res, 4R7, 5%, 1/6W, Carbon Film. . . .	3198	011	04780
2894	Cap, 220p, 5%, 50v, Ceramic.	3198	016	32210	3408	Res, 100 ohm, 5%, 1/6W, Carbon Film.	3198	011	01010
2895	Cap, 560p, 5%, 25v, Ceramic.	3198	016	35610	3410	Res, 10K, 5%, 1/6W, Carbon Film. . . .	3198	011	01030
2897	Cap, 390p, 5%, 50v, Ceramic.	3198	016	33910	3411	Res, 4R7, 5%, 1/3W, Metal Film. . . .	2306	204	03478
2898	Cap, 10n, 10%, 50v, Ceramic.	3198	017	31030	3441	Res, 100 ohm, 5%, 1/10W, Metallized G lass	3198	021	51010
2902	Cap, 1000u, 20%, 16v, Electrolytic . .	3198	026	21020	3442	Res, Zero ohm, Chip Jumper	3198	021	90020
2903	Cap, 1u, 20%, 50v, Electrolytic. . . .	3198	025	51080	3443	Res, 1M, 5%, 1/10W, Metallized Glass	3198	021	51050
2904	Cap, 470n, +80/-20%, 16v, Ceramic. . .	3198	017	24740	3444	Res, 15K, 5%, 1/6W, Carbon Film. . . .	3198	011	01530
2905	Cap, 1n, 10%, 50v, Ceramic	3198	017	01020	3446	Res, 5K6, 5%, 1/6W, Carbon Film. . . .	3198	011	05620
2906	Cap, 470n, +80/-20%, 16v, Ceramic. . .	3198	017	24740	3447	Res, 180 ohm, 5%, 1/6W, Carbon Film.	3198	011	01810
2907	Cap, 1n, 10%, 50v, Ceramic	3198	017	01020	3448	Res, 820 ohm, 5%, 1/6W, Carbon Film.	3198	011	08210
2908	Cap, 10u, 20%, 50v, Electrolytic . . .	3198	025	51090	3449	Res, 68 ohm, 5%, 1/6W, Carbon Film. .	3198	011	06890
2910	Cap, 3n3, 10%, 50v, Ceramic.	3198	017	03320	3450	Res, 33 ohm, 5%, 1/6W, Carbon Film. .	3198	011	03390
2911	Cap, 3n3, 10%, 50v, Ceramic.	3198	017	03320	S 3451	Res, 5R6, 5%, 1/3W, Metal Film. . . .	2306	204	03568
2950	Cap, 330p, 5%, 50v, Ceramic.	3198	016	33310	3452	Res, 5K6, 1%, 3/5W, Metal Film. . . .	2312	915	15602
3000	Res, 100 ohm, 5%, 1/6W, Carbon Film.	3198	011	01010	3453	Res, 1K, 5%, 1/6W, Carbon Film. . . .	3198	011	01020
3001	Res, 100 ohm, 5%, 1/6W, Carbon Film.	3198	011	01010	3454	Res, 2K, 1%, 3/5W, Metal Film. . . .	2312	915	12002
3002	Res, Zero ohm, Chip Jumper	3198	021	90020	3455	Res, 6R8, 5%, 1 1/3W, Metal Film. . . .	3198	012	26880
3003	Res, 1K5, 5%, 1/16W, Metallized Glass	3198	021	31520	3456	Res, Zero ohm, Chip Jumper	3198	021	90020
3004	Res, 8K2, 5%, 1/16W, Metallized Glass	3198	021	38220	3457	Res, Zero ohm, Chip Jumper	3198	021	90020
3005	Res, 100 ohm, 5%, 1/6W, Carbon Film.	3198	011	01010	3458	Res, 1K, 5%, 1/6W, Carbon Film. . . .	3198	011	01020
3101	Res, 68 ohm, 5%, 1/6W, Carbon Film. .	3198	011	06890	3459	Res, 15K, 5%, 1 1/3W, Metal Film. . . .	3198	012	21530
3102	Res, 1K, 5%, 1/16W, Metallized Glass	3198	021	31020	3460	Res, 3K9, 5%, 1/6W, Carbon Film. . . .	3198	011	03920
3103	Res, 150 ohm, 5%, 1/6W, Carbon Film.	3198	011	01510	3463	Res, 33 ohm, 5%, 1/6W, Carbon Film. .	3198	011	03390
3104	Res, 220K, 5%, 1/16W, Metallized Glas	3198	021	32240	3465	Res, 27K, 1%, 3/5W, Metal Film. . . .	2312	915	12703
3105	Res, 150 ohm, 5%, 1/6W, Carbon Film.	3198	011	01510	3466	Res, 100 ohm, 5%, 1/6W, Carbon Film.	3198	011	01010
3106	Res, 220K, 5%, 1/16W, Metallized Glas	3198	021	32240	3469	Res, 3K3, 5%, 1/6W, Carbon Film. . . .	3198	011	03320
3111	Res, 75 ohm, 5%, 1/6W, Carbon Film. .	3198	011	07590	3470	Res, 470K, 5%, 1/10W, Metallized Glas	3198	021	54740
3112	Res, 100 ohm, 5%, 1/6W, Carbon Film.	3198	011	01010	3472	Res, 3R9, 1%, 3/5W, Metal Film. . . .	2312	915	13908
3113	Res, 75 ohm, 5%, 1/6W, Carbon Film. .	3198	011	07590	3473	Res, 2R2, 1%, 3/5W, Metal Film. . . .	2312	915	12208
3114	Res, 100 ohm, 5%, 1/6W, Carbon Film.	3198	011	01010	3474	Res, 2K2, 1%, 3/5W, Metal Film. . . .	2312	915	12202
3115	Res, 75 ohm, 5%, 1/6W, Carbon Film. .	3198	011	07590	3475	Res, 2K2, 1%, 3/5W, Metal Film. . . .	2312	915	12202
3116	Res, 100 ohm, 5%, 1/6W, Carbon Film.	3198	011	01010	3477	Res, 150 ohm, 5%, 1/6W, Carbon Film.	3198	011	01510
3122	Wire Jumper, 0.58MM.	3198	036	90010	3478	Res, 150 ohm, 5%, 1/6W, Carbon Film.	3198	011	01510
3123	Res, 150 ohm, 5%, 1/6W, Carbon Film.	3198	011	01510	3479	Res, 2K7, 5%, 1/10W, Metallized Glass	3198	021	52720
3124	Res, 47K, 5%, 1/16W, Metallized Glass	3198	021	34730	3480	Res, 1R5, 5%, 1/4W, Carbon Film. . . .	2120	101	74158
3125	Res, 150 ohm, 5%, 1/6W, Carbon Film.	3198	011	01510	3481	Res, 12K, 1%, Metal Film.	2312	915	11203
3126	Res, 47K, 5%, 1/16W, Metallized Glass	3198	021	34730	3482	Res, 10K, 1%, 3/5W, Metal Film. . . .	2312	915	11003
3131	Res, 150 ohm, 5%, 1/6W, Carbon Film.	3198	011	01510	3484	Res, 3K9, 5%, 1/6W, Carbon Film. . . .	3198	011	03920
3132	Res, 47K, 5%, 1/16W, Metallized Glass	3198	021	34730	3486	Res, 22 ohm, 5%, 2 1/2W, Metal Film.	3198	012	32290
3133	Res, 150 ohm, 5%, 1/6W, Carbon Film.	3198	011	01510	3488	Res, 4R7, 5%, 1/2W, Metal Film. . . .	2306	207	03478
3134	Res, 47K, 5%, 1/16W, Metallized Glass	3198	021	34730	3490	Res, 8K2, 5%, 1/6W, Carbon Film. . . .	3198	011	08220
3135	Res, 75 ohm, 5%, 1/6W, Carbon Film. .	3198	011	07590	3492	Res, 1k, 5%, Carbon.	3198	021	51020
3136	Res, 100 ohm, 5%, 1/6W, Carbon Film.	3198	011	01010	3493	Res, 6R8, 5%, 1/3W, Metal Film. . . .	2306	204	03688
3138	Wire Jumper, 0.58MM.	3198	036	90010	3494	Res, 4R7, 5%, 1/2W, Metal Film. . . .	2306	207	03478
3141	Res, 1K, 5%, 1/6W, Carbon Film. . . .	3198	011	01020	3495	Res, 22k, 5%, Carbon	3198	021	52230
3149	Res, 100K, 5%, 1/16W, Metallized Glas	3198	021	31040	3496	Res, 100K, 5%, 1/10W, Metallized Glas	3198	021	51040
3150	Res, 150K, 5%, 1/16W, Metallized Glas	3198	021	31540	3497	Res, 100K, 5%, 1/10W, Metallized Glas	3198	021	51040
3154	Res, 5K6, 5%, 1/6W, Carbon Film. . . .	3198	011	05620	3498	Res, 12K, 5%, 1/10W, Metallized Glass	3198	021	51230
3156	Res, 10K, 5%, 1/6W, Carbon Film. . . .	3198	011	01030	3499	Res, 10k, 5%, Carbon	3198	021	51030
3157	Res, 1K5, 5%, 1/16W, Metallized Glass	3198	021	31520	3504	Res, 3 ohm, +30%/-20%, 144v, PTC, Car bon Film	2122	663	00019
3158	Res, 10K, 5%, 1/16W, Metallized Glass	3198	021	31030					
3159	Res, 1K2, 1%, 1/10W, Metallized Glass	2120	108	92616					
3200	Res, 390 ohm, 5%, 1/6W, Carbon Film.	3198	011	03910					
3201	Res, 100 ohm, 5%, 1/6W, Carbon Film.	3198	011	01010					
3202	Res, 100 ohm, 5%, 1/6W, Carbon Film.	3198	011	01010					

27RF50S325 (continued)

S 3506	Res, 1M5, 5%, 1/2W, Metallized Glass	2322 242 13155	3906	Res, 10K, 5%, 1/16W, Metallized Glass	3198 021 31030
S 3507	Surge Protector, DSP-301N-A21F A.	2422 549 43073	3907	Res, 8K2, 5%, 1/16W, Metallized Glass	3198 021 38220
S 3508	Res, 220 ohm, 20%, 1/2W, Carbon Film	3198 013 02210	4001	Res, Zero ohm, Chip Jumper	3198 021 90020
3510	Res, 4.7 ohm, 20%, 3W1, NTC, Carbon F		4002	Res, Zero ohm, Chip Jumper	3198 021 90020
	ilm.	2122 612 00056	4181	Res, Zero ohm, Chip Jumper	3198 021 90020
3519	Res, 270 ohm, 5%, 1/6W, Carbon Film.	3198 011 02710	4209	Res, Zero ohm, Chip Jumper	3198 021 90020
3520	Res, 1K2, 5%, 1/10W, Metallized Glass	3198 021 51220	4216	Res, Zero ohm, Chip Jumper	3198 021 90020
3521	Res, 4R7, 5%, 1/6W, Carbon Film.	3198 011 04780	4217	Res, Zero ohm, Chip Jumper	3198 021 90020
3522	Res, 330K, 5%, 1/10W, Metallized Glas	3198 021 53340	4401	Res, Zero ohm, Chip Jumper	3198 021 90020
S 3523	Res, 100 ohm, 5%, 1/3W, Metal Film.	2306 204 03101	4402	Res, Zero ohm, Chip Jumper	3198 021 90020
3524	Res, 56K, 5%, 1/10W, Metallized Glass	3198 021 55630	4430	Res, Zero ohm, Chip Jumper	3198 021 90020
3525	Res, 1k, 5%, Carbon.	3198 021 51020	4500	Res, Zero ohm, Chip Jumper	3198 021 90020
3526	Res, 0R1, 5%, 3/5W, Metal Film	3198 012 11070	4601	Res, Zero ohm, Chip Jumper	3198 021 90020
3527	Res, 0R33, 5%, 3/5W, Metal Film.	3198 012 13370	4613	Res, Zero ohm, Chip Jumper	3198 021 90020
3528	Res, Zero ohm, Chip Jumper	3198 021 90020	4614	Res, Zero ohm, Chip Jumper	3198 021 90020
3529	Res, 47K, 5%, 1/10W, Metallized Glass	3198 021 54730	4615	Res, Zero ohm, Chip Jumper	3198 021 90020
3530	Res, 10k, 5%, Carbon	3198 021 51030	4617	Res, Zero ohm, Chip Jumper	3198 021 90020
3531	Res, 4K7, 5%, 1/10W, Metallized Glass	3198 021 54720	4619	Res, Zero ohm, Chip Jumper	3198 021 90020
S 3532	Res, 2K2, 5%, 1/3W, Metal Film	2306 204 03222	4622	Res, Zero ohm, Chip Jumper	3198 021 90020
3541	Res, 470 ohm, 5%, 1/10W, Metallized G		4623	Res, Zero ohm, Chip Jumper	3198 021 90020
	lass	3198 021 54710	4691	Res, Zero ohm, Chip Jumper	3198 021 90020
3542	Res, 1K5, 5%, 1/10W, Metallized Glass	3198 021 51520	4692	Res, Zero ohm, Chip Jumper	3198 021 90020
3543	Res, 82K, 1%, 3/5W, Metal Film	2312 915 18203	4693	Res, Zero ohm, Chip Jumper	3198 021 90020
3544	Res, 4K7, 1%, 1/8W, Metallized Glass	2322 734 64702	4801	Res, Zero ohm, Chip Jumper	3198 021 90020
3545	Res, 270K, 5%, 1/8W, Metallized Glass	2322 730 61274	4831	Res, Zero ohm, Chip Jumper	3198 021 90020
3548	Res, 15K, 5%, 1/10W, Metallized Glass	3198 021 51530	4833	Res, Zero ohm, Chip Jumper	3198 021 90020
3552	Res, 4K7, 5%, 1/10W, Metallized Glass	3198 021 54720	4835	Res, Zero ohm, Chip Jumper	3198 021 90020
3557	Res, 1k, 5%, Carbon.	3198 021 51020	4901	Res, Zero ohm, Chip Jumper	3198 021 90020
3560	Res, 47 ohm, 5%, 1/6W, Carbon Film	3198 011 04790	4903	Res, Zero ohm, Chip Jumper	3198 021 90020
3561	Res, 100 ohm, 5%, 1/6W, Carbon Film.	3198 011 01010	4982	Res, Zero ohm, Chip Jumper	3198 021 90020
3562	Res, 12K, 5%, 1/10W, Metallized Glass	3198 021 51230	5001	Coil, 27u.	3198 018 22790
3563	Res, 5K6, 5%, 1/10W, Metallized Glass	3198 021 55620	5002	Coil, 820n	3198 018 18270
3564	Res, 0R1, 5%, 1 1/3W, Metal Film	3198 012 21070	5201	Coil, 6u8.	3198 018 16880
3565	Res, 330 ohm, 5%, 1W, Metal Film	3198 012 13310	5202	Coil, 10u.	3198 018 21090
3566	Res, 2K2, 5%, 1/10W, Metallized Glass	3198 021 52220	5204	Fixed, Inductor, 100MHZ, 80 ohm.	3198 018 90020
3567	Res, 1K8, 5%, 1/16W, Metallized Glass	3198 021 31820	5205	Fixed, Inductor, 100MHZ, 80 ohm.	3198 018 90020
3568	Res, 8K2, 5%, 1/10W, Metallized Glass	3198 021 58220	5206	Wire Jumper, 0.58MM.	3198 036 90010
3569	Res, 5K6, 5%, 1/10W, Metallized Glass	3198 021 55620	5241	Coil, 10u.	3198 018 21090
3580	Res, 47K, 5%, 1/10W, Metallized Glass	3198 021 54730	5242	Coil, 10u.	3198 018 11090
3594	Res, 330 ohm, 5%, 1/10W, Metallized G		5401	Coil, 1m	3198 018 71020
	lass	3198 021 53310	S 5445	Transformer, LOT PSL0T 29''	3128 138 21421
3595	Res, 220K, 5%, 1/10W, Metallized Glas	3198 021 52240	5451	Coil, 22u.	3198 018 72290
3596	Res, 220K, 5%, 1/10W, Metallized Glas	3198 021 52240	5452	Fixed, Inductor, 100MHZ, 80 ohm.	3198 018 90020
3601	Res, 8K2, 5%, 1/6W, Carbon Film.	3198 011 08220	5457	Linear Correction Coil	3128 138 53201
3603	Res, 100 ohm, 5%, 1/6W, Carbon Film.	3198 011 01010	5461	Transformer, Signal Driver, SC10015-0	
3604	Res, 100 ohm, 5%, 1/6W, Carbon Film.	3198 011 01010		0 B.	2422 531 02465
3605	Res, 4K7, 5%, 1/16W, Metallized Glass	3198 021 34720	5463	Coil, Choke.	3128 138 37021
3606	Res, 2K2, 5%, 1/6W, Carbon Film.	3198 011 02220	5471	Coil, 6u8.	3198 018 76880
3607	Res, 2K2, 5%, 1/6W, Carbon Film.	3198 011 02220	5472	Coil, 3u3.	3198 018 23380
3608	Res, 100 ohm, 5%, 1/6W, Carbon Film.	3198 011 01010	5480	Coil, 33u.	2422 535 97335
3609	Res, 1K, 5%, 1/6W, Carbon Film	3198 011 01020	S 5501	Filter, Mains, 5mH, 2A	2422 549 43432
3610	Res, 8K2, 5%, 1/6W, Carbon Film.	3198 011 08220	S 5520	Transformer, SMT Layer, SS39009-04 B	2422 531 02459
3611	Res, 100 ohm, 5%, 1/16W, Metallized G		5521	Fixed, Inductor, 100MHZ, 50R.	3198 018 90010
	lass	3198 021 31010	5560	Fixed, Inductor, 100MHZ, 50R.	3198 018 90010
3618	Res, 6K8, 5%, 1/6W, Carbon Film.	3198 011 06820	5561	Coil, 27u.	3198 018 22790
3622	Res, 100 ohm, 5%, 1/10W, Metallized G		5562	Fixed, Inductor, 100MHZ, 50R.	3198 018 90010
	lass	3198 021 51010	5564	Fixed, Inductor, 100MHZ, 50R.	3198 018 90010
3623	Res, 4K7, 5%, 1/16W, Metallized Glass	3198 021 34720	5602	Coil, 5u6.	3198 018 15680
3624	Res, 100 ohm, 5%, 1/6W, Carbon Film.	3198 011 01010	5603	Coil, 5u6.	3198 018 15680
3625	Res, 100 ohm, 5%, 1/6W, Carbon Film.	3198 011 01010	5604	Coil, 5u6.	3198 018 15680
3626	Res, 4K7, 5%, 1/16W, Metallized Glass	3198 021 34720	5831	Coil, 6u8.	3198 018 16880
3627	Res, 4K7, 5%, 1/16W, Metallized Glass	3198 021 34720	5832	Coil, 6u8.	3198 018 16880
3628	Res, 10K, 5%, 1/16W, Metallized Glass	3198 021 31030	5833	Coil, 6u8.	3198 018 16880
3630	Res, 2K2, 5%, 1/16W, Metallized Glass	3198 021 32220	5835	Coil, 12u.	3198 018 31290
3632	Res, Zero ohm, Chip Jumper	3198 021 90020	6001	Zener Diode, 33 volt	3198 010 23390
3634	Res, 100 ohm, 5%, 1/6W, Carbon Film.	3198 011 01010	6006	Diode, Signal, 1N4148.	3198 010 10010
3635	Res, 100 ohm, 5%, 1/6W, Carbon Film.	3198 011 01010	6007	Diode, Signal, 1N4148.	3198 010 10010
3636	Res, 100 ohm, 5%, 1/10W, Metallized G		6150	Diode, Signal, BAS316.	3198 010 10630
	lass	3198 021 51010	6201	Diode, Signal, BAS316.	3198 010 10630
3638	Res, 75 ohm, 5%, 1/16W, Metallized Gl		6202	Diode, Signal, BAS316.	3198 010 10630
	ass.	3198 021 37590	6206	Zener Diode, 6.8 volt.	3198 020 56880
3639	Res, Zero ohm, Chip Jumper	3198 021 90020	6400	Res, 1K, 1%, 3/5W, Metal Film.	2312 915 11002
3694	Res, 4K7, 5%, 1/16W, Metallized Glass	3198 021 34720	6401	Zener Diode, 47 volt	3198 010 24790
3801	Res, 220 ohm, 5%, 1/6W, Carbon Film.	3198 011 02210	6445	Zener Diode, 10 volt	3198 020 51090
3802	Res, 1K, 5%, 1/6W, Carbon Film	3198 011 01020	6447	Diode, Signal, 1N4148.	3198 010 10010
3809	Res, 75 ohm, 5%, 1/16W, Metallized Gl		6448	Zener Diode, 6.2 volt.	9331 668 30133
	ass.	3198 021 37590	6449	Diode, Signal, BAV99	3198 010 10620
3810	Res, 75 ohm, 5%, 1/16W, Metallized Gl		6453	Zener Diode, 6.8 volt.	3198 020 56880
	ass.	3198 021 37590	6460	Diode, Rect, BY228/24.	9340 559 50112
3831	Res, 47K, 5%, 1/16W, Metallized Glass	3198 021 34730	6461	Diode, Rect, RGP30J-L7004.	9338 617 60682
3832	Res, 100 ohm, 5%, 1/6W, Carbon Film.	3198 011 01010	6462	Zener Diode, 9.1 volt.	9331 177 80133
3833	Res, 100 ohm, 5%, 1/6W, Carbon Film.	3198 011 01010	6465	Diode, Signal, BAV21	3198 010 10070
3836	Res, 1K, 5%, 1/16W, Metallized Glass	3198 021 31020	6466	Diode, Signal, BAV21	3198 010 10070
3837	Res, 100 ohm, 5%, 1/6W, Carbon Film.	3198 011 01010	6467	Diode, Signal, BAS316.	3198 010 10630
3838	Res, 1K, 5%, 1/16W, Metallized Glass	3198 021 31020	6468	Diode, Signal, BAS316.	3198 010 10630
3839	Res, 100 ohm, 5%, 1/6W, Carbon Film.	3198 011 01010	6469	Diode, Rect, BYD33J	9337 234 20133
3843	Res, 2K2, 5%, 1/16W, Metallized Glass	3198 021 32220	6470	Diode, Signal, BAV99	3198 010 10620
3901	Res, 1K, 5%, 1/16W, Metallized Glass	3198 021 31020	6476	Zener Diode, 15 volt	3198 010 21590
3902	Res, 3K3, 5%, 1/16W, Metallized Glass	3198 021 33320	6481	Zener Diode, 5.6 volt.	3198 010 25680
3903	Res, 3K3, 5%, 1/16W, Metallized Glass	3198 021 33320	6482	Zener Diode, 9.1 volt.	9331 177 80133
3904	Res, 10K, 5%, 1/16W, Metallized Glass	3198 021 31030	6483	Zener Diode, 33 volt	3198 010 23390
3905	Res, 3K3, 5%, 1/16W, Metallized Glass	3198 021 33320	6485	Diode, Rect, BYD33J	9337 234 20133

S = Safety Part Be sure to use exact replacement part.

27RF50S325 (continued)

6486	Diode, Rect, EGP20DL-5100	9322	164	42682	9426	Wire Jumper, 0.58MM.	3198	036	90010
6487	Diode, Rect, BYD33D	9337	234	00133	9427	Wire Jumper, 0.58MM.	3198	036	90010
6488	Diode, Rect, EGP20DL-5100	9322	164	42682	9453	Wire Jumper, 0.58MM.	3198	036	90010
6500	Diode, Bridge Rect, GBU4JL-7002	9322	132	55667	9460	Wire Jumper, 0.58MM.	3198	036	90010
6520	Diode, Rect, BYD33D	9337	234	00133	9463	Wire Jumper, 0.58MM.	3198	036	90010
6523	Diode, Signal, 1N4148	3198	010	10010	9500	Wire Jumper, 0.58MM.	3198	036	90010
6524	Diode, Rect, 1N5062	3198	010	10120	9501	Wire Jumper, 0.58MM.	3198	036	90010
6525	Diode, Rect, 1N5062	3198	010	10120	9503	Wire Jumper, 0.58MM.	3198	036	90010
6526	Zener Diode, 22 volt	3198	020	52290	S 9506	Wire Jumper, 0.58MM.	3198	036	90010
6540	Zener Diode, 6.2 volt	9331	668	30133	S 9507	Wire Jumper, 0.58MM.	3198	036	90010
6541	Zener Diode, 9.1 volt	9322	150	08685	9510	Wire Jumper, 0.58MM.	3198	036	90010
6560	Diode, Rect, BYV29X-500	9340	555	59127	9512	Wire Jumper, 0.58MM.	3198	036	90010
6562	Diode, Rect, EGP20DL-5100	9322	164	42682	9513	Wire Jumper, 0.58MM.	3198	036	90010
6563	Diode, Signal, BAS316	3198	010	10630	9514	Wire Jumper, 0.58MM.	3198	036	90010
6565	Diode, Signal, BAV70	9331	849	10215	9515	Wire Jumper, 0.58MM.	3198	036	90010
6566	Diode, Signal, 1N4148	3198	010	10010	9516	Wire Jumper, 0.58MM.	3198	036	90010
6569	Diode, Signal, BAS316	3198	010	10630	9518	Wire Jumper, 0.58MM.	3198	036	90010
6570	Zener Diode, 6.8 volt	3198	020	56880	9520	Wire Jumper, 0.58MM.	3198	036	90010
6580	Diode, Signal, BAS316	3198	010	10630	9521	Wire Jumper, 0.58MM.	3198	036	90010
6831	Diode, Signal, 1N4148	3198	010	10010	9522	Wire Jumper, 0.58MM.	3198	036	90010
6901	Res, Zero ohm, Chip Jumper	3198	021	90020	9524	Wire Jumper, 0.58MM.	3198	036	90010
7101	Transistor, NPN, BC847B	3198	010	42030	9525	Wire Jumper, 0.58MM.	3198	036	90010
7102	Transistor, PNP, BC857B	3198	010	42150	9528	Wire Jumper, 0.58MM.	3198	036	90010
7103	Transistor, NPN, BC847B	3198	010	42030	9610	Wire Jumper, 0.58MM.	3198	036	90010
7200	IC, SM TDA9588H/N1/3	9352	716	35557	9611	Coil, 27u	3198	018	22790
7201	Transistor, NPN, BC847B	3198	010	42030	9612	Wire Jumper, 0.58MM.	3198	036	90010
7204	Transistor, PNP, BC857B	3198	010	42150	9613	Wire Jumper, 0.58MM.	3198	036	90010
7205	Transistor, PNP, BC857B	3198	010	42150	9614	Wire Jumper, 0.58MM.	3198	036	90010
7400	FET, Power, STP3NC60FP	9322	157	37687	9615	Wire Jumper, 0.58MM.	3198	036	90010
7441	Transistor, PNP, BC857B	3198	010	42150	9616	Wire Jumper, 0.58MM.	3198	036	90010
7443	Transistor, PNP, BC557B	3198	020	40110	9617	Wire Jumper, 0.58MM.	3198	036	90010
7450	Transistor, PNP, PDTA114ET	3198	010	44010	9618	Wire Jumper, 0.58MM.	3198	036	90010
7460	Transistor, NPN, BU4508DX	9340	550	92127	9619	Wire Jumper, 0.58MM.	3198	036	90010
7461	Transistor, NPN, BC337-25	3198	020	43530	9620	Wire Jumper, 0.58MM.	3198	036	90010
7462	Transistor, NPN, PDTC143ZT	9340	547	00215	9621	Wire Jumper, 0.58MM.	3198	036	90010
7463	Transistor, PNP, BC327-25	3198	020	43430	9622	Wire Jumper, 0.58MM.	3198	036	90010
7471	IC, TDA8359J/N2	9352	701	64112	9623	Wire Jumper, 0.58MM.	3198	036	90010
7480	Transistor, NPN, BD135	3198	020	41010	9624	Wire Jumper, 0.58MM.	3198	036	90010
7482	Transistor, NPN, BD135	3198	020	41010	9625	Wire Jumper, 0.58MM.	3198	036	90010
S 7515	Optical Coupler, TCET1104(G)	9322	175	72667	9626	Wire Jumper, 0.58MM.	3198	036	90010
7520	IC, TEA1507P/N1	9352	673	56112	9627	Wire Jumper, 0.58MM.	3198	036	90010
7521	FET Power STP8NC50FP	9322	160	72687	9628	Wire Jumper, 0.58MM.	3198	036	90010
7522	Transistor, NPN, BC847B(COL)	3198	010	42030	9629	Wire Jumper, 0.58MM.	3198	036	90010
7540	Transistor, NPN, BC547B(COL)	3198	020	40030	9630	Wire Jumper, 0.58MM.	3198	036	90010
7541	Transistor, NPN, PDTC114ET	9340	310	10215	9631	Wire Jumper, 0.58MM.	3198	036	90010
7542	Transistor, PNP, BC857B(COL)	3198	010	42150	9632	Wire Jumper, 0.58MM.	3198	036	90010
7560	IC, L78L33ACZ	9322	134	92676	9633	Wire Jumper, 0.58MM.	3198	036	90010
7561	Transistor, NPN, PDTC143ZT	9340	547	00215	9634	Wire Jumper, 0.58MM.	3198	036	90010
7562	Transistor, PNP, BC857B(COL)	3198	010	42150	9637	Wire Jumper, 0.58MM.	3198	036	90010
7564	Transistor, PNP, BC857B(COL)	3198	010	42150	9638	Wire Jumper, 0.58MM.	3198	036	90010
7580	Transistor, PNP, BC857B(COL)	3198	010	42150	9639	Wire Jumper, 0.58MM.	3198	036	90010
7602	IC, M24C08-WBN6	9322	154	38682	9640	Wire Jumper, 0.58MM.	3198	036	90010
7606	Transistor, NPN, PDTC143ZT	9340	547	00215	9641	Wire Jumper, 0.58MM.	3198	036	90010
7801	IC, SM HEF4052BT	9333	729	50653	9642	Wire Jumper, 0.58MM.	3198	036	90010
7802	IC, SM HEF4052BT	9333	729	60653	9643	Wire Jumper, 0.58MM.	3198	036	90010
7831	IC, MSP3445G-PO-B8	9322	160	81682	9644	Wire Jumper, 0.58MM.	3198	036	90010
7901	IC, AN7522N	9322	158	65667	9645	Wire Jumper, 0.58MM.	3198	036	90010
9001	Wire Jumper, 0.58MM.	3198	036	90010	9646	Wire Jumper, 0.58MM.	3198	036	90010
9101	Wire Jumper, 0.58MM.	3198	036	90010	9648	Wire Jumper, 0.58MM.	3198	036	90010
9102	Wire Jumper, 0.58MM.	3198	036	90010	9650	Wire Jumper, 0.58MM.	3198	036	90010
9103	Wire Jumper, 0.58MM.	3198	036	90010	9654	Wire Jumper, 0.58MM.	3198	036	90010
9171	Wire Jumper, 0.58MM.	3198	036	90010	9655	Wire Jumper, 0.58MM.	3198	036	90010
9172	Wire Jumper, 0.58MM.	3198	036	90010	9656	Wire Jumper, 0.58MM.	3198	036	90010
9173	Wire Jumper, 0.58MM.	3198	036	90010	9657	Wire Jumper, 0.58MM.	3198	036	90010
9175	Wire Jumper, 0.58MM.	3198	036	90010	9658	Wire Jumper, 0.58MM.	3198	036	90010
9176	Wire Jumper, 0.58MM.	3198	036	90010	9659	Wire Jumper, 0.58MM.	3198	036	90010
9178	Wire Jumper, 0.58MM.	3198	036	90010	9660	Wire Jumper, 0.58MM.	3198	036	90010
9179	Wire Jumper, 0.58MM.	3198	036	90010	9661	Wire Jumper, 0.58MM.	3198	036	90010
9181	Wire Jumper, 0.58MM.	3198	036	90010	9662	Wire Jumper, 0.58MM.	3198	036	90010
9182	Wire Jumper, 0.58MM.	3198	036	90010	9663	Wire Jumper, 0.58MM.	3198	036	90010
9183	Wire Jumper, 0.58MM.	3198	036	90010	9664	Wire Jumper, 0.58MM.	3198	036	90010
9192	Wire Jumper, 0.58MM.	3198	036	90010	9665	Wire Jumper, 0.58MM.	3198	036	90010
9193	Wire Jumper, 0.58MM.	3198	036	90010	9666	Wire Jumper, 0.58MM.	3198	036	90010
9406	Wire Jumper, 0.58MM.	3198	036	90010	9668	Wire Jumper, 0.58MM.	3198	036	90010
9407	Wire Jumper, 0.58MM.	3198	036	90010	9669	Wire Jumper, 0.58MM.	3198	036	90010
9408	Wire Jumper, 0.58MM.	3198	036	90010	9670	Wire Jumper, 0.58MM.	3198	036	90010
9409	Wire Jumper, 0.58MM.	3198	036	90010	9672	Wire Jumper, 0.58MM.	3198	036	90010
9410	Wire Jumper, 0.58MM.	3198	036	90010	9674	Wire Jumper, 0.58MM.	3198	036	90010
9411	Wire Jumper, 0.58MM.	3198	036	90010	9675	Wire Jumper, 0.58MM.	3198	036	90010
9412	Wire Jumper, 0.58MM.	3198	036	90010	9676	Wire Jumper, 0.58MM.	3198	036	90010
9413	Wire Jumper, 0.58MM.	3198	036	90010	9678	Wire Jumper, 0.58MM.	3198	036	90010
9414	Wire Jumper, 0.58MM.	3198	036	90010	9679	Wire Jumper, 0.58MM.	3198	036	90010
9415	Wire Jumper, 0.58MM.	3198	036	90010	9680	Wire Jumper, 0.58MM.	3198	036	90010
9416	Wire Jumper, 0.58MM.	3198	036	90010	9683	Wire Jumper, 0.58MM.	3198	036	90010
9417	Wire Jumper, 0.58MM.	3198	036	90010	9685	Wire Jumper, 0.58MM.	3198	036	90010
9418	Wire Jumper, 0.58MM.	3198	036	90010	9686	Wire Jumper, 0.58MM.	3198	036	90010
9419	Wire Jumper, 0.58MM.	3198	036	90010	9687	Wire Jumper, 0.58MM.	3198	036	90010
9421	Wire Jumper, 0.58MM.	3198	036	90010	9688	Wire Jumper, 0.58MM.	3198	036	90010
9422	Wire Jumper, 0.58MM.	3198	036	90010	9689	Wire Jumper, 0.58MM.	3198	036	90010
9423	Wire Jumper, 0.58MM.	3198	036	90010	9690	Wire Jumper, 0.58MM.	3198	036	90010
9424	Wire Jumper, 0.58MM.	3198	036	90010	9691	Wire Jumper, 0.58MM.	3198	036	90010
9425	Wire Jumper, 0.58MM.	3198	036	90010	9694	Wire Jumper, 0.58MM.	3198	036	90010

S = Safety Part Be sure to use exact replacement part.

27RF50S325 (continued)

9695	Wire Jumper, 0.58MM.	3198	036	90010	CBA	Front Interface Panel Assembly	3139	127	22301
9697	Wire Jumper, 0.58MM.	3198	036	90010	0211	2 pin Connector.	2422	025	16268
9698	Wire Jumper, 0.58MM.	3198	036	90010	0212	2 pin Connector.	2422	025	16559
9699	Wire Jumper, 0.58MM.	3198	036	90010	0214	5 Pin Connector.	2422	025	06353
9821	Wire Jumper, 0.58MM.	3198	036	90010	1606	Tact Switch.	2422	128	02742
9822	Wire Jumper, 0.58MM.	3198	036	90010	2691	Cap, 10u, 20%, 50v, Electrolytic . .	3198	025	51090
9824	Wire Jumper, 0.58MM.	3198	036	90010	2698	Cap, 100n, 10%, 50v, Polyester . . .	3198	014	01040
9825	Wire Jumper, 0.58MM.	3198	036	90010	3500	Res, 3M3, 5%, Metallized Glass . . .	2322	242	13335
9827	Wire Jumper, 0.58MM.	3198	036	90010	3501	Res, 3M3, 5%, Metallized Glass . . .	2322	242	13335
9828	Wire Jumper, 0.58MM.	3198	036	90010	3685	Res, 560R, 5%, 1/6W, Carbon. . . .	3198	011	05610
9829	Wire Jumper, 0.58MM.	3198	036	90010	3691	Res, 330R, 5%, 1/6W, Carbon. . . .	3198	011	03310
9830	Wire Jumper, 0.58MM.	3198	036	90010	3693	Res, 220R, 5%, 1/6W, Carbon. . . .	3198	011	02210
9831	Wire Jumper, 0.58MM.	3198	036	90010	9001	Jumper	3198	036	90010
9832	Wire Jumper, 0.58MM.	3198	036	90010	9002	Jumper	3198	036	90010
9834	Wire Jumper, 0.58MM.	3198	036	90010	6691	LED, VS LTL-10224WHCR.	9322	050	99682
9835	Wire Jumper, 0.58MM.	3198	036	90010	6692	IR Receiver, TSOP1836UH3V.	9322	127	54667
9836	Wire Jumper, 0.58MM.	3198	036	90010					
9837	Wire Jumper, 0.58MM.	3198	036	90010					
9838	Wire Jumper, 0.58MM.	3198	036	90010					
9839	Wire Jumper, 0.58MM.	3198	036	90010					
9840	Wire Jumper, 0.58MM.	3198	036	90010	CBA	Side AV+HP Panel Parts - 313912725911			
9841	Wire Jumper, 0.58MM.	3198	036	90010	0232	Side AV+HP Panel Assembly.	3139	127	25911
9842	Wire Jumper, 0.58MM.	3198	036	90010	0250	1 Pin Headphone Socket	2422	026	04747
9843	Wire Jumper, 0.58MM.	3198	036	90010	0251	3 Pin Cinch Socket	2422	026	04815
9844	Wire Jumper, 0.58MM.	3198	036	90010	0254	6 Pin Connector.	2422	025	12482
9845	Wire Jumper, 0.58MM.	3198	036	90010	0255	5 Pin Connector.	2422	025	12481
9846	Wire Jumper, 0.58MM.	3198	036	90010	2171	4 Pin Connector.	2422	025	12479
9847	Wire Jumper, 0.58MM.	3198	036	90010	2172	Cap, 470p, 10%, 50v, Ceramic	3198	019	14710
9849	Wire Jumper, 0.58MM.	3198	036	90010	2173	Cap, 470p, 10%, 50v, Ceramic	3198	019	14710
9851	Wire Jumper, 0.58MM.	3198	036	90010	2174	Cap, 470p, 10%, 50v, Ceramic	3198	019	14710
9901	Wire Jumper, 0.58MM.	3198	036	90010	2176	Cap, 470p, 10%, 50v, Ceramic	3198	019	14710
9902	Wire Jumper, 0.58MM.	3198	036	90010	2177	Cap, 10u, 20%, 50v, Electrolytic . .	3198	025	51090
9903	Wire Jumper, 0.58MM.	3198	036	90010	2178	Cap, 470p, 10%, 50v, Ceramic	3198	019	14710
9904	Wire Jumper, 0.58MM.	3198	036	90010	2179	Cap, 10u, 20%, 50v, Electrolytic . .	3198	025	51090
9905	Wire Jumper, 0.58MM.	3198	036	90010	3150	Res, 47K, 5%, 1/6W, Carbon Film. . .	3198	011	04730
9911	Wire Jumper, 0.58MM.	3198	036	90010	3151	Res, 150 ohm, 5%, 1/6W, Carbon Film.	3198	011	01510
9912	Wire Jumper, 0.58MM.	3198	036	90010	3152	Res, 47K, 5%, 1/6W, Carbon Film. . .	3198	011	04730
9913	Wire Jumper, 0.58MM.	3198	036	90010	3153	Res, 150 ohm, 5%, 1/6W, Carbon Film.	3198	011	01510
9914	Wire Jumper, 0.58MM.	3198	036	90010	3155	Res, 75 ohm, 5%, 1/6W, Carbon Film .	3198	011	07590
9915	Wire Jumper, 0.58MM.	3198	036	90010	3156	Res, 120 ohm, 5%, 1/6W, Carbon Film.	3198	011	01210
9916	Wire Jumper, 0.58MM.	3198	036	90010	3157	Res, 120 ohm, 5%, 1/6W, Carbon Film.	3198	011	01210
9918	Wire Jumper, 0.58MM.	3198	036	90010	6161	Zener Diode, 6.8 volt.	3198	010	26880
9919	Wire Jumper, 0.58MM.	3198	036	90010	9153	Jumper	3198	036	90010
9920	Wire Jumper, 0.58MM.	3198	036	90010	9170	Jumper	3198	036	90010
9921	Wire Jumper, 0.58MM.	3198	036	90010	9171	Jumper	3198	036	90010
9922	Wire Jumper, 0.58MM.	3198	036	90010					
9991	Wire Jumper, 0.58MM.	3198	036	90010					
9994	Wire Jumper, 0.58MM.	3198	036	90010					
9996	Wire Jumper, 0.58MM.	3198	036	90010					
9998	Wire Jumper, 0.58MM.	3198	036	90010					
CBA	Main Chassis Assembly.	3139	177	27051					

CRT Panel Parts (Part of Main Chassis)

	CRT Panel Parts (Part of Main Chassis)								
0244	Connector, 5 Pin	2422	025	04853					
0245	Connector, 6 Pin	2422	025	04854					
S 0254	CRT Socket, 9 Pin.	2422	500	80067	3092				
2330	Cap, 100n, 10%, 250v, Metallized Poly ester.	2222	368	90177	3093				
2340	Cap, 10u, 20%, 250v, Electrolytic. . . .	2020	012	93495	3094				
2341	Cap, 3n3, 10%, 500v, Ceramic	3198	019	43320					
2342	Cap, 560p, 5%, 50v, Ceramic.	3198	016	05610	3095				
2344	Cap, 100n, +80/-20%, 25v, Ceramic. . .	3198	023	21040	3096				
2345	Cap, 1n, 10%, 500v, Ceramic.	3198	019	41020	6091				
2346	Cap, 1n2, 10%, 2000v, Ceramic.	2020	558	90488					
3331	Res, 100 ohm, 5%, 1/6W, Carbon Film.	3198	011	01010					
3332	Res, 1K, 20%, 1/2W, Carbon Film. . . .	3198	013	01020					
3333	Res, 100 ohm, 5%, 1/6W, Carbon Film.	3198	011	01010					
3334	Res, 1K, 20%, 1/2W, Carbon Film. . . .	3198	013	01020					
3335	Res, 100 ohm, 5%, 1/6W, Carbon Film.	3198	011	01010					
3336	Res, 1K, 20%, 1/2W, Carbon Film. . . .	3198	013	01020					
S 3340	Res, 10 ohm, 5%, 1/2W, Metal Film. . . .	2306	207	03109					
S 3341	Res, 1 ohm, 5%, 1/3W, Metal Film	2306	204	03108					
S 3342	Res, 1 ohm, 5%, 1/3W, Metal Film	2306	204	03108					
3343	Res, 1K5, 20%, 1/2W, Carbon Film	3198	013	01520					
3344	Res, 22 ohm, 5%, 1/6W, Carbon Film . . .	3198	011	02290					
3345	VDR DC 1MA/ 50V S MAX 115V A	2322	593	13507					
3346	Res, 22 ohm, 5%, 1/6W, Carbon Film . . .	3198	011	02290					
3347	Res, Zero ohm, Chip Jumper	3198	021	90020					
3350	Res, Zero ohm, Chip Jumper	3198	021	90020					
3353	Res, Zero ohm, Chip Jumper	3198	021	90020					
5342	Coil, 22u.	2422	535	97333					
6331	Diode, Signal, BAV21	3198	010	10070					
6332	Diode, Signal, BAS316.	3198	010	10630					
6333	Diode, Signal, BAV21	3198	010	10070					
6335	Diode, Signal, BAV21	3198	010	10070					
7330	IC, TDA6107Q/N2.	9352	576	50112					
9311	Wire Jumper, 0.58MM.	3198	036	90010					
9341	Wire Jumper, 0.58MM.	3198	036	90010					
9342	Wire Jumper, 0.58MM.	3198	036	90010					
9343	Wire Jumper, 0.58MM.	3198	036	90010					

Front Interface Panel Parts - 313912722301

S = Safety Critical Interface Panel Replacement part.

27RF72S325 - Manual no. 7629

Cabinet & Accessory Parts

Cabinet & Accessory Parts			
S AC01	AC Cord	3135 010 03831	
AC03	Battery, 1.5V, 2-PACK	9299 000 65263	
AC04	Cabinet Back	3139 124 36762	
AC07	Chassis Tray	3139 124 31323	
AC09	Clip, Anode Lead	3135 014 04471	
S AC10	CRT, A68QCP893X001	9322 173 75682	
S AC12	Degaussing Coil	2422 549 43967	
AC13	Holder, Degaussing Coil (4 Used)	3139 124 31122	
AC16	Owner's Manual	3121 235 20541	
AC16b	Quick Use Guide	3121 233 42861	
REMOTE	Remote Transmitter, RC19036002/01	3139 228 88001	
AC20	Cabinet Front Assembly f/27RF72S325	3121 237 52781	
AC20a	Cabinet Front	3139 137 88401	
AC20d	Light Guide	3139 124 33811	
AC20g	Power Button Cover	3139 124 32921	
AC20h	Power Button Shaft	3139 124 32791	
AC20j	Speaker, 16ohm, 5W (2 Used)	3139 128 76071	
AC20k	Top Control Panel	3139 177 22641	
AC20k1	Top Control Bracket	3139 124 30381	
AC20k2	Top Control Button	3139 124 30391	
AC20k3	Top Control Cover	3139 124 31131	
S AC21	Deflection Yoke, ITC (Supplied with CRT)	000- -- --	

Main Chassis Assembly Parts

Main Chassis Assembly Parts			
0127	Socket Fuse	2422 088 00271	
S 0211	Connector, 2 Pin	2422 025 16374	
S 0212	Connector, 2 Pin	2422 025 16375	
0214	Connector, 5 Pin	2422 025 12481	
0217	Connector, 5 Pin	2422 025 12481	
0219	Connector, 6 Pin	2422 025 12482	
0220	Connector, 5 Pin	2422 025 04853	
S 0221	Connector, 4 Pin	2422 025 15503	
S 0222	Connector, 2 Pin	2422 025 10646	
0223	Socket, Cinch, 9 Pin	2422 026 05236	
0225	Socket, MDIN, 10 Pin	2422 026 04926	
0226	Connector, 4 Pin	2422 025 12479	
0229	Connector, 7 Pin	2422 025 11244	
0239	Connector, 3 Pin	2422 025 16382	
0240	Connector, 4 Pin	2422 025 12479	
0242	Connector, 5 Pin	2422 025 12481	
0243	Connector, 6 Pin	2422 025 04854	
0246	Connector, 5 Pin	2422 025 12481	
0267	Connector, 3 Pin	2412 020 00725	
0269	Socket, Cinch, 3 Pin	2422 026 05182	
0284	Connector, 4 Pin	2422 025 12479	
1000	Tuner, V+U PLL	2422 542 90108	
1002	SAW Filter, 45.5 MHz, F072TPL-A L	2422 549 44327	
1200	Filter, Ceramic, 4MHz5	2422 549 40807	
S 1500	Fuse, 4A, 250V, IEC	2422 086 10914	
S 1515	Relay, 1P, 12V	2422 132 07444	
1660	Crystal Resonator, 12 MHz, 20P, HC49/U A	2422 543 01203	
1831	Crystal Resonator, 18MHz432 12P HC49/U A	2422 543 00842	
2004	Cap, 47n, 10%, 16v, Ceramic	3198 017 34730	
2005	Cap, 10u, 20%, 50v, Electrolytic	3198 025 51090	
2006	Cap, 470u, 20%, 16v, Electrolytic	3198 025 24710	
2007	Cap, 100n, +80/-20%, 25v, Ceramic	3198 023 41040	
2008	Cap, 100u, 20%, 25v, Electrolytic	3198 025 31010	
2009	Cap, 22n, 10%, 25v, Ceramic	3198 017 32230	
2101	Cap, 470n, +80/-20%, 16v, Ceramic	3198 017 24740	
2102	Cap, 22p, 5%, 50v, Ceramic	3198 016 02290	
2103	Cap, 330p, 10%, 50v, Ceramic	3198 017 33310	
2104	Cap, 330p, 5%, 50v, Ceramic	3198 016 33310	
2105	Cap, 10u, 20%, 50v, Electrolytic	3198 025 51090	
2106	Cap, 10u, 20%, 50v, Electrolytic	3198 025 51090	
2111	Cap, 22p, 5%, 50v, Ceramic	3198 016 02290	
2112	Cap, 22p, 5%, 50v, Ceramic	3198 016 02290	
2113	Cap, 22p, 5%, 50v, Ceramic	3198 016 02290	
2121	Cap, 22p, 5%, 50v, Ceramic	3198 016 02290	
2122	Cap, 330p, 5%, 50v, Ceramic	3198 016 33310	
2123	Cap, 2u2, +80/-20%, 10v, Ceramic	3198 017 22250	
2124	Cap, 330p, 5%, 50v, Ceramic	3198 016 33310	
2125	Cap, 2u2, +80/-20%, 10v, Ceramic	3198 017 22250	
2131	Cap, 330p, 5%, 50v, Ceramic	3198 016 33310	
2132	Cap, 2u2, +80/-20%, 10v, Ceramic	3198 017 22250	
2133	Cap, 330p, 5%, 50v, Ceramic	3198 016 33310	
2134	Cap, 2u2, +80/-20%, 10v, Ceramic	3198 017 22250	
2135	Cap, 22p, 5%, 50v, Ceramic	3198 016 02290	
2136	Cap, 22p, 5%, 50v, Ceramic	3198 016 02290	
2141	Cap, 330p, 5%, 50v, Ceramic	3198 016 33310	
2143	Cap, 100n, +80/-20%, 25v, Ceramic	3198 023 41040	
2150	Cap, 150n, 10%, 16v, Ceramic	2238 780 15652	
2171	Cap, 2n2, 10%, 50v, Ceramic	3198 019 12220	
2181	Cap, 22p, 5%, 50v, Ceramic	3198 016 02290	
2184	Cap, 2u2, +80/-20%, 10v, Ceramic	3198 017 22250	
2201	Cap, 100n, +80/-20%, 25v, Ceramic	3198 023 21040	
2202	Cap, 100n, +80/-20%, 25v, Ceramic	3198 023 21040	

2203	Cap, 100n, +80/-20%, 25v, Ceramic	3198 023 41040
2204	Cap, 100n, +80/-20%, 25v, Ceramic	3198 023 41040
2205	Cap, 220n, +80/-20%, 25v, Ceramic	3198 023 22240
2208	Cap, 100n, +80/-20%, 25v, Ceramic	3198 023 41040
2209	Cap, 22u, 20%, 50v, Electrolytic	3198 025 52290
2210	Cap, 1u, +80/-20%, 16v, Ceramic	3198 017 21050
2211	Cap, 470n, +80/-20%, 10v, Ceramic	3198 017 44740
2213	Cap, 22n, 10%, 50v, Ceramic	3198 017 02230
2214	Cap, 22n, 10%, 50v, Ceramic	3198 017 02230
2215	Cap, 22n, 10%, 50v, Ceramic	3198 017 02230
2216	Cap, 1000u, 20%, 16v, Electrolytic	3198 026 21020
2217	Cap, 22n, 10%, 25v, Ceramic	3198 017 32230
2219	Cap, 220n, +80/-20%, 25v, Ceramic	3198 023 22240
2220	Cap, 470n, 10%, 50v, Polyester	3198 014 04740
2221	Cap, 22n, 10%, 50v, Ceramic	3198 017 02230
2241	Cap, 1n5, 10%, 50v, Ceramic	3198 017 31520
2242	Cap, 1u, +80/-20%, 10v, Ceramic	3198 017 41050
2243	Cap, 2n2, 10%, 50v, Ceramic	3198 017 02220
2244	Cap, 100n, 5%, 63v, Metallized Polyester	2222 370 76104
2245	Cap, 100n, +80/-20%, 50v, Electrolytic	3198 017 21040
2247	Cap, 1000u, 20%, 16v, Electrolytic	3198 026 21020
2248	Cap, 22n, 10%, 50v, Ceramic	3198 017 02230
2249	Cap, 22n, 10%, 25v, Ceramic	3198 017 32230
2250	Cap, 2u2, 20%, 50v, Electrolytic	3198 025 52280
2252	Cap, 1n, 5%, 25v, Ceramic	3198 016 31020
2253	Cap, 1n, 5%, 25v, Ceramic	3198 016 31020
2254	Res, Zero ohm, Chip Jumper	3198 021 90020
2401	Cap, 2u2, 20%, 50v, Electrolytic	2020 021 90552
2402	Cap, 470p, 10%, 500v, Ceramic	3198 019 44710
2404	Cap, 47u, 20%, 50v, Electrolytic	3198 025 54790
2405	Cap, 220u, 20%, 25v, Electrolytic	3198 025 32210
2441	Cap, 1u, 20%, 50v, Electrolytic	3198 025 51080
2443	Cap, 47n, +80/-20%, 50v, Ceramic	3198 017 24730
2444	Cap, 1u, 20%, 50v, Electrolytic	3198 025 51080
2450	Cap, 47u, 20%, 160v, Electrolytic	2020 021 91139
2451	Cap, 22n, 10%, 50v, Polyester	3198 014 02230
2452	Cap, 180p, 5%, 50v, Ceramic	3198 016 01810
2455	Cap, 47u, 20%, 25v, Electrolytic	3198 025 34790
2457	Cap, 360n, 5%, 250v, Polypropylene	2222 479 90019
2458	Cap, 2u2, 20%, 100v, Electrolytic	2020 021 91331
2459	Cap, 680p, 10%, 500v, Ceramic	3198 019 46810
2460	Cap, 100p, 5%, 50v, Ceramic	3198 016 01010
2463	Cap, 820p, 10%, 2000v, Ceramic	2020 558 90486
2464	Cap, 2u2, 5%, 160v, Metallized Polypropylene	2222 479 90042
2465	Cap, 12n, 5%, 1600v, Polypropylene	2222 375 90156
2467	Cap, 15n, 10%, 400v, Polyester	2222 347 90219
2468	Cap, 15n, 10%, 400v, Polyester	2222 347 90219
2471	Cap, 100n, 10%, 50v, Polyester	3198 014 01040
2472	Cap, 10n, 10%, 100v, Metallized Polyester	2222 365 85103
2473	Cap, 100n, 10%, 63v, Metallized Polyester	2222 365 75104
2474	Cap, 2n2, 10%, 50v, Ceramic	3198 017 02220
2475	Cap, 2n2, 10%, 50v, Ceramic	3198 017 02220
2476	Cap, 4n7, 10%, 50v, Ceramic	3198 017 04720
2480	Cap, 47u, 20%, 25v, Electrolytic	2020 021 90586
2481	Cap, 470p, 10%, 500v, Ceramic	3198 019 44710
2482	Cap, 180n, 5%, 250v, Metallized Polypropylene	2222 479 90012
2485	Cap, 4u7, 20%, 250v, Electrolytic	2020 021 90856
2486	Cap, 470u, 20%, 16v, Electrolytic	2020 021 91577
2487	Cap, 47u, 20%, 50v, Electrolytic	2020 021 90854
2488	Cap, 1000u, 20%, 16v, Electrolytic	2020 021 91049
2489	Cap, 470u, 20%, 16v, Electrolytic	2020 021 91577
2491	Cap, 1n, 10%, 500v, Ceramic	3198 019 41020
S 2500	Cap, 470n, 20%, 275v, Metallized Polypropylene	2222 336 29148
2501	Cap, 2n2, 10%, 1000v, Ceramic	3198 019 52220
2502	Cap, 2n2, 10%, 1000v, Ceramic	3198 019 52220
2503	Cap, 470u, 20%, 200v, Electrolytic	2020 024 90626
2505	Cap, 2n2, 10%, 1000v, Ceramic	3198 019 52220
2507	Cap, 470p, 10%, 50v, Ceramic	3198 017 04710
2508	Cap, 470p, 10%, 1000v, Ceramic	3198 019 64710
S 2515	Cap, 1n5, 20%, v, Ceramic	2020 554 90128
2520	Cap, 100n, 10%, 16v, Ceramic	3198 017 01040
2521	Cap, 22u, 20%, 50v, Electrolytic	3198 025 52290
2522	Cap, 100n, 10%, 16v, Ceramic	3198 017 01040
2523	Cap, 1n5, 10%, 2000v, Ceramic	2020 558 90489
2525	Cap, 470p, 10%, 50v, Ceramic	3198 017 04710
2527	Cap, 2n2, 10%, 50v, Ceramic	3198 017 02220
2528	Cap, 1n, 10%, 50v, Ceramic	3198 017 01020
2540	Cap, 10n, 10%, 50v, Ceramic	3198 017 01030
2541	Cap, 10n, 10%, 50v, Ceramic	3198 017 01030
2560	Cap, 680p, 10%, 1000v, Ceramic	2020 558 90472
2561	Cap, 100u, 20%, 160v, Electrolytic	2020 021 91654
2562	Cap, 1n, 10%, 50v, Ceramic	3198 019 11020
2563	Cap, 100n, 10%, 50v, Polyester	3198 014 01040
2564	Cap, 2u2, 20%, 25v, Electrolytic	2020 021 91353
2566	Cap, 470u, 20%, 6.3v, Electrolytic	3198 025 04710

S = Safety Part Be sure to use exact replacement part.

27RF72S325 (continued)

2567	Cap, 47u, 20%, 25v, Electrolytic . . .	3198 025 34790	3154	Res, 5K6, 5%, 1/6W, Carbon Film. . .	3198 011 05620
2568	Cap, 1u, 20%, 50v, Electrolytic . . .	3198 025 51080	3156	Res, 10K, 5%, 1/6W, Carbon Film. . .	3198 011 01030
2580	Cap, 47u, 20%, 16v, Electrolytic . . .	3198 028 24790	3157	Res, 1K5, 5%, 1/16W, Metallized Glass	3198 021 31520
2581	Cap, 22u, 20%, 50v, Electrolytic . . .	3198 025 52290	3158	Res, 10k, 5%, Carbon	3198 021 51030
2601	Cap, 220n, +80/-20%, 25v, Ceramic. . .	3198 023 22240	3159	Res, 1K2, 1%, 1/10W, Metallized Glass	2120 108 92616
2602	Cap, 100p, 5%, 50v, Ceramic.	3198 016 01010	3170	Res, 4K7, 5%, 1/6W, Carbon Film. . .	3198 011 04720
2606	Cap, 1n, 10%, 50v, Ceramic	3198 017 01020	3172	Res, 68K, 5%, 1/6W, Carbon Film. . .	3198 011 06830
2607	Cap, 33p, 5%, 50v, Ceramic	3198 016 33390	3173	Res, 10K, 5%, 1/6W, Carbon Film. . .	3198 011 01030
2608	Cap, 1u, +80/-20%, 10v, Ceramic. . . .	3198 017 41050	3174	Res, 8K2, 5%, 1/6W, Carbon Film. . .	3198 011 08220
2609	Cap, 33p, 5%, 50v, Ceramic	3198 016 33390	3175	Res, 8K2, 5%, 1/6W, Carbon Film. . .	3198 011 08220
2611	Cap, 1u, +80/-20%, 10v, Ceramic. . . .	3198 017 41050	3176	Res, 100 ohm, 5%, 1/6W, Carbon Film.	3198 011 01010
2612	Cap, 68p, 5%, 50v, Ceramic	3198 016 06890	3177	Res, 8K2, 5%, 1/6W, Carbon Film. . .	3198 011 08220
2613	Cap, 68p, 5%, 50v, Ceramic	3198 016 06890	3178	Res, 3K9, 5%, 1/6W, Carbon Film. . .	3198 011 03920
2615	Cap, 1n, 10%, 50v, Ceramic	3198 017 01020	3179	Res, 2K2, 5%, 1/6W, Carbon Film. . .	3198 011 02220
2618	Cap, 1u, +80/-20%, 10v, Ceramic. . . .	3198 017 41050	3200	Res, 390 ohm, 5%, 1/6W, Carbon Film.	3198 011 03910
2619	Cap, 1u, +80/-20%, 16v, Ceramic. . . .	3198 017 21050	3201	Res, 100 ohm, 5%, 1/6W, Carbon Film.	3198 011 01010
2801	Cap, 22u, 20%, 50v, Electrolytic . . .	3198 025 52290	3202	Res, 100 ohm, 5%, 1/6W, Carbon Film.	3198 011 01010
2802	Cap, 220n, +80/-20%, 25v, Ceramic. . .	3198 023 22240	3203	Res, 100 ohm, 5%, 1/6W, Carbon Film.	3198 011 01010
2804	Cap, 2u2, +80/-20%, 10v, Ceramic. . . .	3198 017 22250	3204	Res, 22K, 5%, 1/6W, Carbon Film. . .	3198 011 02230
2805	Res, Zero ohm, Chip Jumper	3198 021 90020	3206	Res, 120K, 5%, 1/10W, Metallized Glas	2120 108 91716
2806	Res, Zero ohm, Chip Jumper	3198 021 90020	3207	Res, 1K, 5%, 1/6W, Carbon Film . . .	3198 011 01020
2831	Cap, 1p, 25%, 50v, Ceramic	3198 016 31080	3208	Res, 220 ohm, 5%, 1/16W, Metallized G	lass 3198 021 32210
2832	Cap, 1p, 25%, 50v, Ceramic	3198 016 31080	3209	Res, 68 ohm, 5%, 1/16W, Metallized Gl	ass. 3198 021 36890
2833	Cap, 47p, 5%, 50v, Ceramic	3198 016 34790	3212	Res, 470 ohm, 5%, 1/16W, Metallized G	lass 3198 021 34710
2834	Cap, 470p, 5%, 50v, Ceramic.	3198 016 34710	3213	Res, 560 ohm, 5%, 1/6W, Carbon Film.	3198 011 05610
2835	Cap, 220p, 5%, 50v, Ceramic.	3198 016 32210	3214	Res, 100 ohm, 5%, 1/10W, Metallized G	lass 3198 021 51010
2836	Cap, 1n5, 10%, 50v, Ceramic.	3198 017 31520	3215	Res, 560 ohm, 5%, 1/16W, Metallized G	lass 3198 021 35610
2837	Cap, 4u7, 20%, 50v, Electrolytic	3198 025 54780	3216	Res, 68 ohm, 5%, 1/6W, Carbon Film . .	3198 011 06890
2840	Cap, 100n, +80/-20%, 25v, Ceramic. . . .	3198 023 41040	3217	Res, 330K, 5%, 1/16W, Metallized Glas	3198 021 33340
2841	Cap, 10u, 20%, 50v, Electrolytic	3198 025 51090	3218	Res, 82K, 5%, 1/10W, Metallized Glass	3198 021 58230
2842	Cap, 100n, +80/-20%, 25v, Ceramic. . . .	3198 023 41040	3219	Res, 2K2, 5%, 1/16W, Metallized Glass	3198 021 32220
2843	Cap, 10u, 20%, 50v, Electrolytic	3198 025 51090	3220	Res, 100 ohm, 5%, 1/6W, Carbon Film.	3198 011 01010
2844	Cap, 10u, 20%, 50v, Electrolytic	3198 025 51090	3221	Res, 560 ohm, 5%, 1/6W, Carbon Film.	3198 011 05610
2845	Cap, 100n, +80/-20%, 25v, Ceramic. . . .	3198 023 41040	3222	Res, 100 ohm, 5%, 1/6W, Carbon Film.	3198 011 01010
2846	Cap, 100u, 20%, 25v, Electrolytic. . . .	3198 025 31010	3223	Res, 100 ohm, 5%, 1/10W, Metallized G	lass 3198 021 51010
2849	Cap, 1n, 5%, 25v, Ceramic.	3198 016 31020	3226	Res, 560 ohm, 5%, 1/16W, Metallized G	lass 3198 021 35610
2850	Cap, 1n, 5%, 25v, Ceramic.	3198 016 31020	3235	Res, 100 ohm, 5%, 1/6W, Carbon Film.	3198 011 01010
2851	Res, Zero ohm, Chip Jumper	3198 021 90020	3241	Res, 22k, 5%, Carbon	3198 021 52230
2852	Cap, 1n, 5%, 25v, Ceramic.	3198 016 31020	3242	Res, 12K, 5%, 1/10W, Metallized Glass	3198 021 51230
2853	Res, Zero ohm, Chip Jumper	3198 021 90020	3244	Res, 820 ohm, 5%, 1/6W, Carbon Film.	3198 011 08210
2854	Cap, 1n, 5%, 25v, Ceramic.	3198 016 31020	3245	Res, 39K, 1%, 1/10W, Metallized Glass	2120 108 92633
2855	Cap, 33p, 5%, 50v, Ceramic	3198 016 33390	3246	Res, 10k, 5%, Carbon	3198 021 51030
2856	Cap, 47p, 5%, 50v, Ceramic	3198 016 34790	3247	Res, 680K, 5%, 1/10W, Metallized Glas	3198 021 56840
2857	Cap, 150p, 5%, 50v, Ceramic.	3198 016 31510	3248	Res, 33K, 5%, 1/10W, Metallized Glass	3198 021 53330
2860	Cap, 180p, 5%, 50v, Ceramic.	3198 016 31810	3249	Res, 820 ohm, 5%, 1/6W, Carbon Film.	3198 011 08210
2894	Cap, 220p, 5%, 50v, Ceramic.	3198 016 32210	3250	Res, 8K2, 5%, 1/6W, Carbon Film. . .	3198 011 08220
2895	Cap, 560p, 5%, 25v, Ceramic.	3198 016 35610	3251	Res, 100 ohm, 5%, 1/6W, Carbon Film.	3198 011 01010
2897	Cap, 390p, 5%, 50v, Ceramic.	3198 016 33910	3256	Res, 1k, 5%, Carbon.	3198 021 51020
2898	Cap, 10n, 10%, 50v, Ceramic.	3198 017 31030	3257	Res, 10M, 5%, 1/10W, Metallized Glass	3198 021 51060
2902	Cap, 1000u, 20%, 16v, Electrolytic	3198 026 21020	3258	Res, 270K, 5%, 1/10W, Metallized Glas	2120 108 91725
2903	Cap, 1u, 20%, 50v, Electrolytic.	3198 025 51080	3259	Res, 470K, 5%, 1/10W, Metallized Glas	3198 021 54740
2904	Cap, 470n, +80/-20%, 16v, Ceramic. . . .	3198 017 24740	3400	Res, 330 ohm, 5%, 1/6W, Carbon Film.	3198 011 03310
2905	Cap, 1n, 10%, 50v, Ceramic	3198 017 31020	3401	Res, 220K, 5%, 1/6W, Carbon Film . . .	3198 011 02240
2906	Cap, 470n, +80/-20%, 16v, Ceramic. . . .	3198 017 24740	3403	Res, 82K, 1%, 3/5W, Metal Film	2312 915 18203
2907	Cap, 1n, 10%, 50v, Ceramic	3198 017 31020	3404	Res, 1K, 5%, 1/6W, Carbon Film	3198 011 01020
2908	Cap, 10u, 20%, 50v, Electrolytic	3198 025 51090	3405	Res, 4R7, 5%, 1/6W, Carbon Film. . . .	3198 011 04780
2910	Cap, 3n3, 10%, 50v, Ceramic.	3198 017 33320	3406	Res, 4R7, 5%, 1/6W, Carbon Film. . . .	3198 011 04780
2911	Cap, 3n3, 10%, 50v, Ceramic.	3198 017 33320	3408	Res, 100 ohm, 5%, 1/6W, Carbon Film.	3198 011 01010
2950	Cap, 330p, 5%, 50v, Ceramic.	3198 016 33310	3410	Res, 10K, 5%, 1/6W, Carbon Film. . . .	3198 011 01030
3000	Res, 100 ohm, 5%, 1/6W, Carbon Film.	3198 011 01010	3411	Res, 4R7, 5%, 1/3W, Metal Film	2306 204 03478
3001	Res, 100 ohm, 5%, 1/6W, Carbon Film.	3198 011 01010	3441	Res, 100 ohm, 5%, 1/10W, Metallized G	lass 3198 021 51010
3002	Res, Zero ohm, 'Chip' Jumper	3198 021 90030	3442	Res, Zero ohm, Chip Jumper	3198 021 90020
3003	Res, 1K5, 5%, 1/16W, Metallized Glass	3198 021 31520	3443	Res, 1M, 5%, 1/10W, Metallized Glass	3198 021 51050
3004	Res, 8K2, 5%, 1/16W, Metallized Glass	3198 021 38220	3445	Res, 15K, 5%, 1/6W, Carbon Film. . . .	3198 011 01530
3005	Res, 100 ohm, 5%, 1/6W, Carbon Film.	3198 011 01010	3446	Res, 5K6, 5%, 1/6W, Carbon Film. . . .	3198 011 05620
3101	Res, 68 ohm, 5%, 1/6W, Carbon Film . . .	3198 011 06890	3447	Res, 56 ohm, 5%, 1/4W, Carbon Film . .	2120 101 74569
3102	Res, 1k, 5%, Carbon.	3198 021 51020	3448	Res, 470 ohm, 5%, 1/6W, Carbon Film.	3198 011 04710
3103	Res, 150 ohm, 5%, 1/6W, Carbon Film.	3198 011 01510	3449	Res, 68 ohm, 5%, 1/6W, Carbon Film . .	3198 011 06890
3104	Res, 220K, 5%, 1/16W, Metallized Glas	3198 021 32240	3450	Res, 33 ohm, 5%, 1/6W, Carbon Film . .	3198 011 03390
3105	Res, 150 ohm, 5%, 1/6W, Carbon Film.	3198 011 01510	S 3451	Res, 5R6, 5%, 1/3W, Metal Film	2306 204 03568
3106	Res, 220K, 5%, 1/16W, Metallized Glas	3198 021 32240	3452	Res, 5K6, 1%, 3/5W, Metal Film	2312 915 15602
3111	Res, 75 ohm, 5%, 1/6W, Carbon Film . . .	3198 011 07590	3453	Res, 1K, 5%, 1/6W, Carbon Film	3198 011 01020
3112	Res, 100 ohm, 5%, 1/6W, Carbon Film . .	3198 011 01010	3454	Res, 2K, 1%, 3/5W, Metal Film	2312 915 12002
3113	Res, 75 ohm, 5%, 1/6W, Carbon Film . . .	3198 011 07590	3455	Res, 6R8, 5%, 1 1/3W, Metal Film	3198 012 26880
3114	Res, 100 ohm, 5%, 1/6W, Carbon Film . . .	3198 011 01010	3456	Res, Zero ohm, Chip Jumper	3198 021 90020
3115	Res, 75 ohm, 5%, 1/6W, Carbon Film . . .	3198 011 07590	3457	Res, Zero ohm, Chip Jumper	3198 021 90020
3116	Res, 100 ohm, 5%, 1/6W, Carbon Film.	3198 011 01010	3458	Res, 1K, 5%, 1/6W, Carbon Film	3198 011 01020
3122	Wire Jumper, 0.58MM.	3198 036 90010	3459	Res, 15K, 5%, 1 1/3W, Metal Film	3198 012 21530
3123	Res, 150 ohm, 5%, 1/6W, Carbon Film.	3198 011 01510	3460	Res, 3K9, 5%, 1/6W, Carbon Film. . . .	3198 011 03920
3124	Res, 47K, 5%, 1/16W, Metallized Glass	3198 021 34730	3463	Res, 33 ohm, 5%, 1/6W, Carbon Film . .	3198 011 03390
3125	Res, 150 ohm, 5%, 1/6W, Carbon Film.	3198 011 01510	3465	Res, 27K, 1%, 3/5W, Metal Film	2312 915 12703
3126	Res, 47K, 5%, 1/16W, Metallized Glass	3198 021 34730	3468	Res, 100 ohm, 5%, 1/6W, Carbon Film.	3198 011 01010
3131	Res, 150 ohm, 5%, 1/6W, Carbon Film.	3198 011 01510	3469	Res, 3K3, 5%, 1/6W, Carbon Film. . . .	3198 011 03320
3132	Res, 47K, 5%, 1/16W, Metallized Glass	3198 021 34730	3470	Res, 470K, 5%, 1/10W, Metallized Glas	3198 021 54740
3133	Res, 150 ohm, 5%, 1/6W, Carbon Film.	3198 011 01510			
3134	Res, 47K, 5%, 1/16W, Metallized Glass	3198 021 34730			
3135	Res, 75 ohm, 5%, 1/6W, Carbon Film . . .	3198 011 07590			
3136	Res, 100 ohm, 5%, 1/6W, Carbon Film . .	3198 011 01010			
3138	Wire Jumper, 0.58MM.	3198 036 90010			
3141	Res, 1K, 5%, 1/6W, Carbon Film	3198 011 01020			
3149	Res, 100K, 5%, 1/16W, Metallized Glas	3198 021 31040			
3150	Res, 150K, 5%, 1/10W, Metallized Glas	3198 021 51540			

S = Safety Part Be sure to use exact replacement part.

27RF72S325 (continued)

3472	Res, 3R9, 1%, 3/5W, Metal Film . . .	2312 915 13908	3638	Res, 75 ohm, 5%, 1/16W, Metallized Gl	
3473	Res, 2R2, 1%, 3/5W, Metal Film . . .	2312 915 12208		ass.	3198 021 37590
3474	Res, 2K2, 1%, 3/5W, Metal Film . . .	2312 915 12202	3639	Res, Zero ohm, Chip Jumper	3198 021 90020
3475	Res, 2K2, 1%, 3/5W, Metal Film . . .	2312 915 12202	3694	Res, 4K7, 5%, 1/10W, Metallized Glass	3198 021 54720
3477	Res, 150 ohm, 5%, 1/6W, Carbon Film.	3198 011 01510	3801	Res, 220 ohm, 5%, 1/6W, Carbon Film.	3198 011 02210
3478	Res, 150 ohm, 5%, 1/6W, Carbon Film.	3198 011 01510	3802	Res, 1K, 5%, 1/6W, Carbon Film . . .	3198 011 01020
3479	Res, 2K7, 5%, 1/10W, Metallized Glass	3198 021 52720	3809	Res, 75 ohm, 5%, 1/16W, Metallized Gl	
3481	Res, 12k, 1%, Metal Film	2312 915 11203		ass.	3198 021 37590
3482	Res, 10K, 1%, 3/5W, Metal Film . . .	2312 915 11003	3810	Res, 75 ohm, 5%, 1/16W, Metallized Gl	
3484	Res, 3K9, 5%, 1/6W, Carbon Film. . .	3198 011 03920		ass.	3198 021 37590
3486	Res, 22 ohm, 5%, 2 1/2W, Metal Film.	3198 012 32290	3831	Res, 47K, 5%, 1/16W, Metallized Glass	3198 021 34730
3488	Res, 4R7, 5%, 2, Metal Film	2306 207 03478	3832	Res, 100 ohm, 5%, 1/6W, Carbon Film.	3198 011 01010
3490	Res, 8K2, 5%, 1/6W, Carbon Film. . .	3198 011 08220	3833	Res, 100 ohm, 5%, 1/6W, Carbon Film.	3198 011 01010
3491	Res, 10k, 5%, Carbon	3198 021 51030	3836	Res, 1k, 5%, Carbon.	3198 021 51020
3492	Res, 1k, 5%, Carbon.	3198 021 51020	3837	Res, 100 ohm, 5%, 1/6W, Carbon Film.	3198 011 01010
3493	Res, 6R8, 5%, 1/3W, Metal Film . . .	2306 204 03688	3838	Res, 1k, 5%, Carbon.	3198 021 51020
3494	Res, 4R7, 5%, 1/2W, Metal Film . . .	2306 207 03478	3839	Res, 100 ohm, 5%, 1/6W, Carbon Film.	3198 011 01010
3495	Res, 22k, 5%, Carbon	3198 021 52230	3843	Res, 2K2, 5%, 1/16W, Metallized Glass	3198 021 32220
3496	Res, 100K, 5%, 1/10W, Metallized Glas	3198 021 51040	3901	Res, 1K, 5%, 1/16W, Metallized Glass	3198 021 31020
3497	Res, 100K, 5%, 1/10W, Metallized Glass	3198 021 51040	3902	Res, 3K3, 5%, 1/16W, Metallized Glass	3198 021 33320
3498	Res, 12K, 5%, 1/10W, Metallized Glass	3198 021 51230	3903	Res, 3K3, 5%, 1/16W, Metallized Glass	3198 021 33320
3504	Res, 3 ohm, +30%/-20%, 144v, PTC, Car		3904	Res, 10K, 5%, 1/16W, Metallized Glass	3198 021 31030
	bon Film	2122 663 00019	3905	Res, 3K3, 5%, 1/16W, Metallized Glass	3198 021 33320
S 3506	Res, 1M5, 5%, 1/2W, Metallized Glass	2322 242 13155	3906	Res, 10K, 5%, 1/16W, Metallized Glass	3198 021 31030
S 3507	Surge Protector, DSP-301N-A21F A. . .	2422 549 43073	3907	Res, 8K2, 5%, 1/16W, Metallized Glass	3198 021 38220
S 3508	Res, 220 ohm, 20%, 1/2W, Carbon Film	3198 013 02210	4001	Res, Zero ohm, 'Chip' Jumper	3198 021 90030
3510	Res, 4.7 ohm, 20%, 3W1, NTC, Carbon F		4002	Res, Zero ohm, 'Chip' Jumper	3198 021 90030
	ilm.	2122 612 00056	4170	Res, Zero ohm, Chip Jumper	3198 021 90020
3519	Res, 270 ohm, 5%, 1/6W, Carbon Film.	3198 011 02710	4181	Res, Zero ohm, 'Chip' Jumper	3198 021 90030
3520	Res, 1K2, 5%, 1/10W, Metallized Glass	3198 021 51220	4209	Res, Zero ohm, 'Chip' Jumper	3198 021 90030
3521	Res, 4R7, 5%, 1/6W, Carbon Film. . .	3198 011 04780	4216	Res, Zero ohm, 'Chip' Jumper	3198 021 90030
3522	Res, 330K, 5%, 1/10W, Metallized Glas	3198 021 53340	4217	Res, Zero ohm, 'Chip' Jumper	3198 021 90030
S 3523	Res, 100 ohm, 5%, 1/3W, Metal Film . .	2306 204 03101	4401	Res, Zero ohm, Chip Jumper	3198 021 90020
3524	Res, 56K, 5%, 1/10W, Metallized Glass	3198 021 55630	4402	Res, Zero ohm, Chip Jumper	3198 021 90020
3525	Res, 1k, 5%, Carbon.	3198 021 51020	4470	Res, Zero ohm, Chip Jumper	3198 021 90020
3526	Res, 0R1, 5%, 3/5W, Metal Film . . .	3198 012 11070	4500	Res, Zero ohm, Chip Jumper	3198 021 90020
3527	Res, 0R33, 5%, 3/5W, Metal Film. . .	3198 012 13370	4601	Res, Zero ohm, Chip Jumper	3198 021 90020
3528	Res, Zero ohm, Chip Jumper	3198 021 90020	4613	Res, Zero ohm, Chip Jumper	3198 021 90020
3529	Res, 47K, 5%, 1/10W, Metallized Glass	3198 021 54730	4614	Res, Zero ohm, Chip Jumper	3198 021 90020
3530	Res, 10k, 5%, Carbon	3198 021 51030	4615	Res, Zero ohm, 'Chip' Jumper	3198 021 90030
3531	Res, 4K7, 5%, 1/10W, Metallized Glass	3198 021 54720	4617	Res, Zero ohm, Chip Jumper	3198 021 90020
S 3532	Res, 2K2, 5%, 1/3W, Metal Film . . .	2306 204 03222	4618	Res, Zero ohm, Chip Jumper	3198 021 90020
3541	Res, 470 ohm, 5%, 1/10W, Metallized G		4619	Res, Zero ohm, Chip Jumper	3198 021 90020
	lass	3198 021 54710	4622	Res, Zero ohm, Chip Jumper	3198 021 90020
3542	Res, 1K5, 5%, 1/10W, Metallized Glass	3198 021 51520	4623	Res, Zero ohm, Chip Jumper	3198 021 90020
3543	Res, 82K, 1%, 3/5W, Metal Film . . .	2312 915 18203	4691	Res, Zero ohm, Chip Jumper	3198 021 90020
3544	Res, 4K7, 1%, 1/8W, Metallized Glass	2322 734 64702	4692	Res, Zero ohm, Chip Jumper	3198 021 90020
3545	Res, 270K, 5%, 1/8W, Metallized Glass	2322 730 61274	4693	Res, Zero ohm, Chip Jumper	3198 021 90020
3548	Res, 15K, 5%, 1/10W, Metallized Glass	3198 021 51530	4801	Res, Zero ohm, Chip Jumper	3198 021 90020
3552	Res, 4K7, 5%, 1/10W, Metallized Glass	3198 021 54720	4831	Res, Zero ohm, Chip Jumper	3198 021 90020
3557	Res, 1k, 5%, Carbon.	3198 021 51020	4833	Res, Zero ohm, Chip Jumper	3198 021 90020
3560	Res, 47 ohm, 5%, 1/6W, Carbon Film . .	3198 011 04790	4835	Res, Zero ohm, Chip Jumper	3198 021 90020
3561	Res, 100 ohm, 5%, 1/6W, Carbon Film.	3198 011 01010	4901	Res, Zero ohm, 'Chip' Jumper	3198 021 90030
3562	Res, 12K, 5%, 1/10W, Metallized Glass	3198 021 51230	4903	Res, Zero ohm, 'Chip' Jumper	3198 021 90030
3563	Res, 5K6, 5%, 1/10W, Metallized Glass	3198 021 55620	4982	Res, Zero ohm, Chip Jumper	3198 021 90020
3564	Res, 0R1, 5%, 1/3W, Metal Film . . .	3198 012 21070	5001	Coil, 27u.	3198 018 22790
3565	Res, 330 ohm, 5%, 1W, Metal Film . . .	3198 012 13310	5002	Coil, 820n	3198 018 18270
3566	Res, 2K2, 5%, 1/10W, Metallized Glass	3198 021 52220	5201	Coil, 6u8.	3198 018 16880
3567	Res, 1K8, 5%, 1/16W, Metallized Glass	3198 021 31820	5202	Coil, 10u.	3198 018 21090
3568	Res, 8K2, 5%, 1/10W, Metallized Glass	3198 021 58220	5204	Fixed, Inductor, 100MHZ, 80 ohm. . .	3198 018 90020
3569	Res, 5K6, 5%, 1/10W, Metallized Glass	3198 021 55620	5205	Fixed, Inductor, 100MHZ, 80 ohm. . .	3198 018 90020
3580	Res, 47K, 5%, 1/10W, Metallized Glass	3198 021 54730	5206	Wire Jumper, 0.58MM.	3198 036 90010
3594	Res, 330 ohm, 5%, 1/10W, Metallized G		5241	Coil, 10u.	3198 018 21090
	lass	3198 021 53310	5242	Coil, 10u.	3198 018 11090
3595	Res, 220K, 5%, 1/10W, Metallized Glas	3198 021 52240	5401	Coil, 1m	3198 018 71020
3596	Res, 220K, 5%, 1/10W, Metallized Glas	3198 021 52240	S 5445	Transformer, LOT PSL0T 29''	3128 138 21421
3601	Res, 8K2, 5%, 1/6W, Carbon Film. . .	3198 011 08220	5451	Coil, 22u.	3198 018 72290
3603	Res, 100 ohm, 5%, 1/6W, Carbon Film.	3198 011 01010	5452	Fixed, Inductor, 100MHZ, 80 ohm. . .	3198 018 90020
3604	Res, 100 ohm, 5%, 1/6W, Carbon Film.	3198 011 01010	5453	Coil, 22u.	3198 018 12290
3605	Res, 4K7, 5%, 1/10W, Metallized Glass	3198 021 54720	5457	Linear Correction Coil	3128 138 53201
3606	Res, 2K2, 5%, 1/6W, Carbon Film. . .	3198 011 02220	5461	Transformer, Signal Driver, SC10015-0	
3607	Res, 2K2, 5%, 1/6W, Carbon Film. . .	3198 011 02220		0 B.	2422 531 02465
3608	Res, 100 ohm, 5%, 1/6W, Carbon Film.	3198 011 01010	5463	Coil, Choke.	3128 138 37021
3609	Res, 1K, 5%, 1/6W, Carbon Film . . .	3198 011 01020	5471	Coil, 6u8.	3198 018 76880
3610	Res, 8K2, 5%, 1/6W, Carbon Film. . .	3198 011 08220	5472	Coil, 6u8.	3198 018 26880
3611	Res, 100 ohm, 5%, 1/16W, Metallized G		5480	Coil, 33u.	2422 535 97335
	lass	3198 021 31010	S 5501	Filter, Mains, 5mH, 2A	2422 549 43432
3618	Res, 6K8, 5%, 1/6W, Carbon Film. . .	3198 011 06820	S 5520	Transformer, SMT Layer, SS39009-04 B	2422 531 02459
3622	Res, 100 ohm, 5%, 1/10W, Metallized G		5521	Fixed, Inductor, 100MHZ, 50R.	3198 018 90010
	lass	3198 021 51010	5560	Fixed, Inductor, 100MHZ, 50R.	3198 018 90010
3623	Res, 4K7, 5%, 1/16W, Metallized Glass	3198 021 34720	5561	Coil, 27u.	3198 018 22790
3624	Res, 100 ohm, 5%, 1/6W, Carbon Film.	3198 011 01010	5562	Fixed, Inductor, 100MHZ, 50R.	3198 018 90010
3625	Res, 100 ohm, 5%, 1/6W, Carbon Film.	3198 011 01010	5564	Fixed, Inductor, 100MHZ, 50R.	3198 018 90010
3626	Res, 4K7, 5%, 1/10W, Metallized Glass	3198 021 54720	5602	Coil, 5u6.	3198 018 15680
3627	Res, 4K7, 5%, 1/10W, Metallized Glass	3198 021 54720	5603	Coil, 5u6.	3198 018 15680
3628	Res, 10k, 5%, Carbon	3198 021 51030	5604	Coil, 5u6.	3198 018 15680
3630	Res, 2K2, 5%, 1/16W, Metallized Glass	3198 021 32220	5831	Coil, 6u8.	3198 018 16880
3632	Res, Zero ohm, Chip Jumper	3198 021 90020	5832	Coil, 6u8.	3198 018 16880
3634	Res, 100 ohm, 5%, 1/6W, Carbon Film.	3198 011 01010	5833	Coil, 6u8.	3198 018 16880
3635	Res, 100 ohm, 5%, 1/6W, Carbon Film.	3198 011 01010	5835	Coil, 12u.	3198 018 31290
3636	Res, 100 ohm, 5%, 1/10W, Metallized G		6001	Zener Diode, 33 volt	3198 010 23390
	lass	3198 021 51010	6006	Diode, Signal, 1N4148.	3198 010 10010

S = Safety Part Be sure to use exact replacement part.

27RF72S325 (continued)

6007	Diode, Signal, 1N4148	3198	010	10010	9178	Wire Jumper, 0.58MM.	3198	036	90010
6150	Diode, Signal, BAS316	3198	010	10630	9179	Wire Jumper, 0.58MM.	3198	036	90010
6201	Diode, Signal, BAS316	3198	010	10630	9181	Wire Jumper, 0.58MM.	3198	036	90010
6202	Diode, Signal, BAS316	3198	010	10630	9182	Wire Jumper, 0.58MM.	3198	036	90010
6206	Zener Diode, 6.8 volt.	3198	020	56880	9183	Wire Jumper, 0.58MM.	3198	036	90010
6400	Res, 1K, 1%, 3/5W, Metal Film.	2312	915	11002	9192	Wire Jumper, 0.58MM.	3198	036	90010
6401	Zener Diode, 47 volt	3198	010	24790	9193	Wire Jumper, 0.58MM.	3198	036	90010
6445	Zener Diode, 10 volt	3198	020	51090	9406	Wire Jumper, 0.58MM.	3198	036	90010
6447	Diode, Signal, 1N4148	3198	010	10010	9407	Wire Jumper, 0.58MM.	3198	036	90010
6448	Zener Diode, 6.2 volt.	9331	668	30133	9408	Wire Jumper, 0.58MM.	3198	036	90010
6449	Diode, Signal, BAV99	3198	010	10620	9409	Wire Jumper, 0.58MM.	3198	036	90010
6453	Zener Diode, 6.8 volt.	3198	020	56880	9410	Wire Jumper, 0.58MM.	3198	036	90010
6460	Diode, Rect, BY228/24.	9340	559	50112	9411	Wire Jumper, 0.58MM.	3198	036	90010
6461	Diode, Rect, RGP30J-L7004.	9338	617	60682	9412	Wire Jumper, 0.58MM.	3198	036	90010
6462	Zener Diode, 9.1 volt.	9331	177	80133	9413	Wire Jumper, 0.58MM.	3198	036	90010
6463	Zener Diode, 10 volt	3198	020	51090	9414	Wire Jumper, 0.58MM.	3198	036	90010
6465	Diode, Signal, BAV21	3198	010	10070	9415	Wire Jumper, 0.58MM.	3198	036	90010
6466	Diode, Signal, BAV21	3198	010	10070	9416	Wire Jumper, 0.58MM.	3198	036	90010
6468	Diode, Signal, BAS316	3198	010	10630	9417	Wire Jumper, 0.58MM.	3198	036	90010
6470	Diode, Signal, BAV99	3198	010	10620	9418	Wire Jumper, 0.58MM.	3198	036	90010
6476	Zener Diode, 15 volt	3198	010	21590	9419	Wire Jumper, 0.58MM.	3198	036	90010
6481	Zener Diode, 5.6 volt.	3198	010	25680	9421	Wire Jumper, 0.58MM.	3198	036	90010
6482	Zener Diode, 9.1 volt.	9331	177	80133	9422	Wire Jumper, 0.58MM.	3198	036	90010
6483	Zener Diode, 33 volt	3198	010	23390	9423	Wire Jumper, 0.58MM.	3198	036	90010
6485	Diode, Rect, BYD33J	9337	234	20133	9424	Wire Jumper, 0.58MM.	3198	036	90010
6486	Diode, Rect, EGP20DL-5100.	9322	164	42682	9425	Wire Jumper, 0.58MM.	3198	036	90010
6487	Diode, Rect, BYD33D	9337	234	00133	9426	Wire Jumper, 0.58MM.	3198	036	90010
6488	Diode, Rect, EGP20DL-5100.	9322	164	42682	9427	Wire Jumper, 0.58MM.	3198	036	90010
6500	Diode, Bridge Rect, GBU4JL-7002.	9322	132	55667	9453	Wire Jumper, 0.58MM.	3198	036	90010
6520	Diode, Rect, BYD33D	9337	234	00133	9460	Wire Jumper, 0.58MM.	3198	036	90010
6523	Diode, Signal, 1N4148	3198	010	10010	9463	Wire Jumper, 0.58MM.	3198	036	90010
6524	Diode, Rect, 1N5062	3198	010	10120	9472	Wire Jumper, 0.58MM.	3198	036	90010
6525	Diode, Rect, 1N5062	3198	010	10120	9500	Wire Jumper, 0.58MM.	3198	036	90010
6526	Zener Diode, 22 volt	3198	020	52290	9501	Wire Jumper, 0.58MM.	3198	036	90010
6540	Zener Diode, 6.2 volt.	9331	668	30133	9503	Wire Jumper, 0.58MM.	3198	036	90010
6541	Zener Diode, 9.1 volt.	9322	150	08685	S 9506	Wire Jumper, 0.58MM.	3198	036	90010
6560	Diode, Rect, BYV29X-500.	9340	555	59127	S 9507	Wire Jumper, 0.58MM.	3198	036	90010
6562	Diode, Rect, EGP20DL-5100.	9322	164	42682	9510	Wire Jumper, 0.58MM.	3198	036	90010
6563	Diode, Signal, BAS316	3198	010	10630	9512	Wire Jumper, 0.58MM.	3198	036	90010
6565	Diode, Signal, BAV70	9331	849	10215	9513	Wire Jumper, 0.58MM.	3198	036	90010
6566	Diode, Signal, 1N4148	3198	010	10010	9514	Wire Jumper, 0.58MM.	3198	036	90010
6569	Diode, Signal, BAS316	3198	010	10630	9515	Wire Jumper, 0.58MM.	3198	036	90010
6570	Zener Diode, 6.8 volt.	3198	020	56880	9516	Wire Jumper, 0.58MM.	3198	036	90010
6580	Diode, Signal, BAS316	3198	010	10630	9518	Wire Jumper, 0.58MM.	3198	036	90010
6831	Diode, Signal, 1N4148	3198	010	10010	9520	Wire Jumper, 0.58MM.	3198	036	90010
6901	Res, Zero ohm, Chip Jumper	3198	021	90020	9521	Wire Jumper, 0.58MM.	3198	036	90010
7101	Transistor, NPN, BC847B.	3198	010	42030	9522	Wire Jumper, 0.58MM.	3198	036	90010
7102	Transistor, PNP, BC857B.	3198	010	42150	9524	Wire Jumper, 0.58MM.	3198	036	90010
7103	Transistor, NPN, BC847B.	3198	010	42030	9525	Wire Jumper, 0.58MM.	3198	036	90010
7172	Transistor, PNP, BC857B.	3198	010	42150	9528	Wire Jumper, 0.58MM.	3198	036	90010
7173	Transistor, NPN, BC847B.	3198	010	42030	9610	Wire Jumper, 0.58MM.	3198	036	90010
7174	Transistor, PNP, BC857B.	3198	010	42150	9611	Coil, 27u.	3198	018	22790
7200	IC, SM TDA9588H/N1/3	9352	716	35557	9612	Wire Jumper, 0.58MM.	3198	036	90010
7201	Transistor, NPN, BC847B.	3198	010	42030	9613	Wire Jumper, 0.58MM.	3198	036	90010
7204	Transistor, PNP, BC857B.	3198	010	42150	9614	Wire Jumper, 0.58MM.	3198	036	90010
7205	Transistor, PNP, BC857B.	3198	010	42150	9615	Wire Jumper, 0.58MM.	3198	036	90010
7208	Transistor, PNP, BC857B.	3198	010	42150	9616	Wire Jumper, 0.58MM.	3198	036	90010
7400	FET, Power, STP3NC60FP	9322	157	37687	9617	Wire Jumper, 0.58MM.	3198	036	90010
7441	Transistor, PNP, BC857B.	3198	010	42150	9618	Wire Jumper, 0.58MM.	3198	036	90010
7443	Transistor, PNP, BC557B.	3198	020	40110	9619	Wire Jumper, 0.58MM.	3198	036	90010
7450	Transistor, PNP, PDTA114ET	3198	010	44010	9620	Wire Jumper, 0.58MM.	3198	036	90010
7460	Transistor, NPN, BU4508DX.	9340	550	92127	9621	Wire Jumper, 0.58MM.	3198	036	90010
7461	Transistor, NPN, BC337-25.	3198	020	43530	9622	Wire Jumper, 0.58MM.	3198	036	90010
7462	Transistor, NPN, PDTC143ZT	9340	547	00215	9623	Wire Jumper, 0.58MM.	3198	036	90010
7463	Transistor, PNP, BC327-25.	3198	020	43430	9624	Wire Jumper, 0.58MM.	3198	036	90010
7471	IC, TDA8359J/N2.	9352	701	64112	9625	Wire Jumper, 0.58MM.	3198	036	90010
7480	Transistor, NPN, BD135	3198	020	41010	9626	Wire Jumper, 0.58MM.	3198	036	90010
7482	Transistor, NPN, BD135	3198	020	41010	9627	Wire Jumper, 0.58MM.	3198	036	90010
S 7515	Optical Coupler, TCET1104(G)	9322	175	72667	9628	Wire Jumper, 0.58MM.	3198	036	90010
7520	IC, TEA1507P/N1.	9352	673	56112	9629	Wire Jumper, 0.58MM.	3198	036	90010
7521	FET Power STP8NC50FP	9322	160	72687	9630	Wire Jumper, 0.58MM.	3198	036	90010
7522	Transistor, NPN, BC847B(COL)	3198	010	42030	9631	Wire Jumper, 0.58MM.	3198	036	90010
7540	Transistor, NPN, BC547B(COL)	3198	020	40030	9632	Wire Jumper, 0.58MM.	3198	036	90010
7541	Transistor, NPN, PDTC114ET	9340	310	10215	9633	Wire Jumper, 0.58MM.	3198	036	90010
7542	Transistor, PNP, BC857B(COL)	3198	010	42150	9634	Wire Jumper, 0.58MM.	3198	036	90010
7560	IC, L78L33ACZ.	9322	134	92676	9637	Wire Jumper, 0.58MM.	3198	036	90010
7561	Transistor, NPN, PDTC143ZT	9340	547	00215	9638	Wire Jumper, 0.58MM.	3198	036	90010
7562	Transistor, PNP, BC857B(COL)	3198	010	42150	9639	Wire Jumper, 0.58MM.	3198	036	90010
7564	Transistor, NPN, BC857B(COL)	3198	010	42150	9640	Wire Jumper, 0.58MM.	3198	036	90010
7580	Transistor, PNP, BC857B(COL)	3198	010	42150	9641	Wire Jumper, 0.58MM.	3198	036	90010
7602	IC, M24C08-WBN6.	9322	154	38682	9642	Wire Jumper, 0.58MM.	3198	036	90010
7606	Transistor, NPN, PDTC143ZT	9340	547	00215	9643	Wire Jumper, 0.58MM.	3198	036	90010
7801	IC, SM HEF4052BT	9333	729	50653	9644	Wire Jumper, 0.58MM.	3198	036	90010
7802	IC, SM HEF4052BT	9333	729	50653	9645	Wire Jumper, 0.58MM.	3198	036	90010
7831	IC, MSP3445G-PO-B8	9322	160	81682	9646	Wire Jumper, 0.58MM.	3198	036	90010
7901	IC, AN7522N.	9322	158	65667	9648	Wire Jumper, 0.58MM.	3198	036	90010
9001	Wire Jumper, 0.58MM.	3198	036	90010	9650	Wire Jumper, 0.58MM.	3198	036	90010
9171	Wire Jumper, 0.58MM.	3198	036	90010	9654	Wire Jumper, 0.58MM.	3198	036	90010
9172	Wire Jumper, 0.58MM.	3198	036	90010	9655	Wire Jumper, 0.58MM.	3198	036	90010
9173	Wire Jumper, 0.58MM.	3198	036	90010	9656	Wire Jumper, 0.58MM.	3198	036	90010
9175	Wire Jumper, 0.58MM.	3198	036	90010	9657	Wire Jumper, 0.58MM.	3198	036	90010
9176	Wire Jumper, 0.58MM.	3198	036	90010	9658	Wire Jumper, 0.58MM.	3198	036	90010

S = Safety Part Be sure to use exact replacement part.

27RF72S325 (continued)

9659	Wire Jumper, 0.58MM.	3198 036 90010	2345	Cap, 1n, 10%, 500v, Ceramic.	3198 019 41020
9660	Wire Jumper, 0.58MM.	3198 036 90010	3331	Res, 100 ohm, 5%, 1/6W, Carbon Film.	3198 011 01010
9661	Wire Jumper, 0.58MM.	3198 036 90010	3332	Res, 1K, 20%, 1/2W, Carbon Film.	3198 013 01020
9662	Wire Jumper, 0.58MM.	3198 036 90010	3333	Res, 100 ohm, 5%, 1/6W, Carbon Film.	3198 011 01010
9663	Wire Jumper, 0.58MM.	3198 036 90010	3334	Res, 1K, 20%, 1/2W, Carbon Film.	3198 013 01020
9664	Wire Jumper, 0.58MM.	3198 036 90010	3335	Res, 100 ohm, 5%, 1/6W, Carbon Film.	3198 011 01010
9665	Wire Jumper, 0.58MM.	3198 036 90010	3336	Res, 1K, 20%, 1/2W, Carbon Film.	3198 013 01020
9666	Wire Jumper, 0.58MM.	3198 036 90010	S 3340	Res, 10 ohm, 5%, 1/2W, Metal Film.	2306 207 03109
9668	Wire Jumper, 0.58MM.	3198 036 90010	S 3341	Res, 1 ohm, 5%, 1/3W, Metal Film.	2306 204 03108
9669	Wire Jumper, 0.58MM.	3198 036 90010	S 3342	Res, 1 ohm, 5%, 1/3W, Metal Film.	2306 204 03108
9670	Wire Jumper, 0.58MM.	3198 036 90010	3343	Res, 1K5, 20%, 1/2W, Carbon Film.	3198 013 01520
9672	Wire Jumper, 0.58MM.	3198 036 90010	3344	Res, 22 ohm, 5%, 1/6W, Carbon Film.	3198 011 02290
9674	Wire Jumper, 0.58MM.	3198 036 90010	3345	VDR DC 1MA/ 50V S MAX 115V A.	2322 593 13507
9675	Wire Jumper, 0.58MM.	3198 036 90010	3346	Res, 22 ohm, 5%, 1/6W, Carbon Film.	3198 011 02290
9676	Wire Jumper, 0.58MM.	3198 036 90010	3347	Res, Zero ohm, Chip Jumper.	3198 021 90020
9678	Wire Jumper, 0.58MM.	3198 036 90010	3350	Res, Zero ohm, Chip Jumper.	3198 021 90020
9679	Wire Jumper, 0.58MM.	3198 036 90010	3353	Res, Zero ohm, Chip Jumper.	3198 021 90020
9680	Wire Jumper, 0.58MM.	3198 036 90010	5342	Coil, 22u.	2422 535 97333
9683	Wire Jumper, 0.58MM.	3198 036 90010	6331	Diode, Signal, BAV21.	3198 010 10070
9685	Wire Jumper, 0.58MM.	3198 036 90010	6332	Diode, Signal, BAS316.	3198 010 10630
9686	Wire Jumper, 0.58MM.	3198 036 90010	6333	Diode, Signal, BAV21.	3198 010 10070
9687	Wire Jumper, 0.58MM.	3198 036 90010	6335	Diode, Signal, BAV21.	3198 010 10070
9688	Wire Jumper, 0.58MM.	3198 036 90010	7330	IC, TDA6107Q/N2.	9352 576 50112
9689	Wire Jumper, 0.58MM.	3198 036 90010	9311	Wire Jumper, 0.58MM.	3198 036 90010
9690	Wire Jumper, 0.58MM.	3198 036 90010	9341	Wire Jumper, 0.58MM.	3198 036 90010
9691	Wire Jumper, 0.58MM.	3198 036 90010	9342	Wire Jumper, 0.58MM.	3198 036 90010
9694	Wire Jumper, 0.58MM.	3198 036 90010	9343	Wire Jumper, 0.58MM.	3198 036 90010
9695	Wire Jumper, 0.58MM.	3198 036 90010			
9697	Wire Jumper, 0.58MM.	3198 036 90010			
9698	Wire Jumper, 0.58MM.	3198 036 90010			
9699	Wire Jumper, 0.58MM.	3198 036 90010			
9821	Wire Jumper, 0.58MM.	3198 036 90010			
9822	Wire Jumper, 0.58MM.	3198 036 90010			
9824	Wire Jumper, 0.58MM.	3198 036 90010			
9825	Wire Jumper, 0.58MM.	3198 036 90010			
9827	Wire Jumper, 0.58MM.	3198 036 90010			
9828	Wire Jumper, 0.58MM.	3198 036 90010			
9829	Wire Jumper, 0.58MM.	3198 036 90010			
9830	Wire Jumper, 0.58MM.	3198 036 90010			
9831	Wire Jumper, 0.58MM.	3198 036 90010			
9832	Wire Jumper, 0.58MM.	3198 036 90010			
9834	Wire Jumper, 0.58MM.	3198 036 90010			
9835	Wire Jumper, 0.58MM.	3198 036 90010			
9836	Wire Jumper, 0.58MM.	3198 036 90010			
9837	Wire Jumper, 0.58MM.	3198 036 90010			
9838	Wire Jumper, 0.58MM.	3198 036 90010			
9839	Wire Jumper, 0.58MM.	3198 036 90010			
9840	Wire Jumper, 0.58MM.	3198 036 90010			
9841	Wire Jumper, 0.58MM.	3198 036 90010			
9842	Wire Jumper, 0.58MM.	3198 036 90010			
9843	Wire Jumper, 0.58MM.	3198 036 90010			
9844	Wire Jumper, 0.58MM.	3198 036 90010			
9845	Wire Jumper, 0.58MM.	3198 036 90010			
9846	Wire Jumper, 0.58MM.	3198 036 90010			
9847	Wire Jumper, 0.58MM.	3198 036 90010			
9848	Wire Jumper, 0.58MM.	3198 036 90010			
9849	Wire Jumper, 0.58MM.	3198 036 90010			
9851	Wire Jumper, 0.58MM.	3198 036 90010			
9901	Wire Jumper, 0.58MM.	3198 036 90010			
9902	Wire Jumper, 0.58MM.	3198 036 90010			
9903	Wire Jumper, 0.58MM.	3198 036 90010			
9904	Wire Jumper, 0.58MM.	3198 036 90010			
9905	Wire Jumper, 0.58MM.	3198 036 90010			
9911	Wire Jumper, 0.58MM.	3198 036 90010			
9912	Wire Jumper, 0.58MM.	3198 036 90010			
9913	Wire Jumper, 0.58MM.	3198 036 90010			
9914	Wire Jumper, 0.58MM.	3198 036 90010			
9915	Wire Jumper, 0.58MM.	3198 036 90010			
9916	Wire Jumper, 0.58MM.	3198 036 90010			
9918	Wire Jumper, 0.58MM.	3198 036 90010			
9919	Wire Jumper, 0.58MM.	3198 036 90010			
9920	Wire Jumper, 0.58MM.	3198 036 90010			
9921	Wire Jumper, 0.58MM.	3198 036 90010			
9922	Wire Jumper, 0.58MM.	3198 036 90010			
9991	Wire Jumper, 0.58MM.	3198 036 90010			
9994	Wire Jumper, 0.58MM.	3198 036 90010			
9996	Wire Jumper, 0.58MM.	3198 036 90010			
9998	Wire Jumper, 0.58MM.	3198 036 90010			
CBA	Main Chassis Assembly.	3139 177 21201			

Front Interface Panel Parts - 313912722301

Front Interface Panel Parts - 313912722301

CBA	Front Interface Panel Assembly.	3139 127 22301
0211	2 pin Connector.	2422 025 16268
0212	2 pin Connector.	2422 025 16559
0214	5 Pin Connector.	2422 025 06353
1606	Tact Switch.	2422 128 02742
2691	Cap, 10u, 20%, 50v, Electrolytic.	3198 025 51090
2698	Cap, 100n, 10%, 50v, Polyester.	3198 014 01040
3500	Res, 3M3, 5%, Metallized Glass.	2322 242 13335
3501	Res, 3M3, 5%, Metallized Glass.	2322 242 13335
3685	Res, 560R, 5%, 1/6W, Carbon.	3198 011 05610
3691	Res, 330R, 5%, 1/6W, Carbon.	3198 011 03310
3693	Res, 220R, 5%, 1/6W, Carbon.	3198 011 02210
9001	Jumper.	3198 036 90010
9002	Jumper.	3198 036 90010
6691	LED, VS LTL-10224WHCR.	9322 050 99682
6692	IR Receiver, TSOP1836UH3V.	9322 127 54667

Side AV+HP Panel Parts - 313912723881

Side AV+HP Panel Parts - 313912723881

CBA	Side AV+HP Panel Assembly.	3139 127 23881
0232	1 Pin Headphone Socket.	2422 026 04747
0250	3 Pin Cinch Socket.	2422 026 04815
0251	6 Pin Connector.	2422 025 12482
0254	5 Pin Connector.	2422 025 12481
0255	4 Pin Connector.	2422 025 12479
2171	Cap, 470p, 10%, 50v, Ceramic.	3198 019 14710
2172	Cap, 470p, 10%, 50v, Ceramic.	3198 019 14710
2173	Cap, 470p, 10%, 50v, Ceramic.	3198 019 14710
2174	Cap, 470p, 10%, 50v, Ceramic.	3198 019 14710
2176	Cap, 470p, 10%, 50v, Ceramic.	3198 019 14710
2177	Cap, 10u, 20%, 50v, Electrolytic.	3198 025 51090
2178	Cap, 470p, 10%, 50v, Ceramic.	3198 019 14710
2179	Cap, 10u, 20%, 50v, Electrolytic.	3198 025 51090
3150	Res, 47K, 5%, 1/6W, Carbon Film.	3198 011 04730
3151	Res, 150 ohm, 5%, 1/6W, Carbon Film.	3198 011 01510
3152	Res, 47K, 5%, 1/6W, Carbon Film.	3198 011 04730
3153	Res, 150 ohm, 5%, 1/6W, Carbon Film.	3198 011 01510
3156	Res, 120 ohm, 5%, 1/6W, Carbon Film.	3198 011 01210
3157	Res, 120 ohm, 5%, 1/6W, Carbon Film.	3198 011 01210
6161	Zener Diode, 6.8 volt.	3198 010 26880
9153	Jumper.	3198 036 90010
9170	Jumper.	3198 036 90010
9171	Jumper.	3198 036 90010

Top Control Panel Parts - 313917722641

Top Control Panel Parts - 313917722641

CBA	Top Control Panel Assembly.	3139 177 22641
0215	3 Pin Connector.	2422 025 09191
1091	Tact Switch.	2422 128 02742
1092	Tact Switch.	2422 128 02742
1093	Tact Switch.	2422 128 02742
1094	Tact Switch.	2422 128 02742
3088	Res, Zero ohm, 'Chip' Jumper.	3198 021 90030
3089	Res, Zero ohm, 'Chip' Jumper.	3198 021 90030
3091	Res, 560 ohm, 5%, 1/16W, Metallized Glass.	3198 021 35610
3092	Res, 390 ohm, 5%, 1/16W, Metallized Glass.	3198 021 33910
3093	Res, 560 ohm, 5%, 1/16W, Metallized Glass.	3198 021 35610
3094	Res, 390 ohm, 5%, 1/16W, Metallized Glass.	3198 021 33910

CRT Panel Parts (Part of Main Chassis)

	CRT Panel Parts (Part of Main Chassis)				
0244	Connector, 5 Pin.	2422 025 04853			
0245	Connector, 6 Pin.	2422 025 04854			
S 0254	CRT Socket, 9 Pin.	2422 500 80076			
2330	Cap, 100n, 10%, 250v, Metallized Polyester.	2222 368 90177			
2340	Cap, 10u, 20%, 250v, Electrolytic.	2020 012 93495			
2341	Cap, 3n3, 10%, 500v, Ceramic.	3198 019 43320			
2342	Cap, 560p, 5%, 50v, Ceramic.	3198 016 05610			
2343	Cap, 3n3, 10%, 2000v, Ceramic.	2020 558 90529			
2344	Cap, 100n, +80/-20%, 25v, Ceramic.	3198 023 21040			

27RF72S325 (continued)

3095	Res, 3K3, 5%, 1/16W, Metallized Glass	3198 021 33320
3096	Res, 1K5, 5%, 1/16W, Metallized Glass	3198 021 31520
4092	Res, Zero ohm, "Chip" Jumper	3198 021 90030
6092	Diode, Signal.	9340 453 90115

PIP Panel Parts - 313917721831

PIP Panel Parts - 313917721831		
CBA	PIP Panel Assembly	3139 177 21831
0134	Bracket, PIP	3139 124 33161
0192	Cable, 4 Pin, 280mm.	3139 110 38681
0193	Cable, 7 Pin, 280mm.	3139 131 01731
0194	Cable, 5 Pin, 280mm.	3139 110 38811
0195	Cable, 5 Pin, 280mm.	3139 131 01741
0197	Cable, 4 Pin, 280mm.	3139 110 38681
0198	Cable, 4 Pin, 280mm.	3139 110 38681
0216	Connector, 3 Pin	2412 020 00725
0226	Connector, 4 Pin	2422 025 12479
0229	Connector, 2 Pin.	2422 025 16343
0235	Connector, 2 Pin	2412 020 00724
0240	Connector, 4 Pin	2422 025 12479
0242	Connector, 5 Pin	2422 025 12481
0243	Connector, 2 Pin	2412 020 00724
0266	Connector, 3 Pin	2412 020 00725
0284	Connector, 4 Pin	2422 025 12479
1800	Resinator Crystal, 14M31818, 20P	2422 543 00904
2802	Cap, 470n, +80/-20%, 16v, Ceramic.	3198 017 24740
2801	Cap, 100n, +80/-20%, 25v, Ceramic.	3198 023 21040
2802	Cap, 100n, +80/-20%, 25v, Ceramic.	3198 023 21040
2803	Cap, 47u, 20%, 25v, Electrolytic	3198 025 34790
2804	Cap, 10u, 20%, 50v, Electrolytic	3198 025 51090
2805	Cap, 100n, +80/-20%, 25v, Ceramic.	3198 023 21040
2806	Cap, 100u, 20%, 25v, Electrolytic.	3198 025 31010
2807	Cap, 47p, 5%, 50v, Ceramic	3198 016 04790
2808	Cap, 10u, 20%, 50v, Electrolytic	3198 025 51090
2809	Cap, 10n, 10%, 50v, Ceramic.	3198 017 01030
2810	Cap, 10n, 10%, 50v, Ceramic.	3198 017 01030
2811	Cap, 10n, 10%, 50v, Ceramic.	3198 017 01030
2812	Cap, 47u, 20%, 25v, Electrolytic	3198 025 34790
2813	Cap, 10u, 20%, 50v, Electrolytic	3198 025 51090
2814	Cap, 10n, 10%, 50v, Ceramic.	3198 017 01030
2815	Cap, 10n, 10%, 50v, Ceramic.	3198 017 01030
2816	Cap, 10n, 10%, 50v, Ceramic.	3198 017 01030
2819	Cap, 12p, 5%, 50v, Ceramic	3198 016 01290
2820	Cap, 220n, +80/-20%, 25v, Ceramic.	3198 023 22240
2821	Cap, 220n, +80/-20%, 25v, Ceramic.	3198 023 22240
2822	Cap, 33n, 10%, 50v, Ceramic.	3198 017 03330
2823	Cap, 10n, 10%, 50v, Ceramic.	3198 017 01030
2824	Cap, 47u, 20%, 25v, Electrolytic	3198 025 34790
2825	Cap, 10n, 10%, 50v, Ceramic.	3198 017 01030
2826	Cap, 560p, 5%, 50v, Ceramic.	3198 016 05610
2827	Cap, 10n, 10%, 50v, Ceramic.	3198 017 01030
2828	Cap, 100n, +80/-20%, 25v, Ceramic.	3198 023 21040
2829	Cap, 47u, 20%, 25v, Electrolytic	3198 025 34790
2830	Cap, 100n, +80/-20%, 25v, Ceramic.	3198 023 21040
2831	Cap, 47u, 20%, 25v, Electrolytic	3198 025 34790
2832	Cap, 100n, +80/-20%, 25v, Ceramic.	3198 023 21040
2833	Cap, 47u, 20%, 25v, Electrolytic	3198 025 34790
2834	Cap, 100n, 10%, 16v, Ceramic	3198 017 01040
2837	Cap, 10n, 10%, 50v, Ceramic.	3198 017 01030
2858	Cap, 47u, 20%, 25v, Electrolytic	3198 025 34790
2859	Cap, 470n, +80/-20%, 16v, Ceramic.	3198 017 24740
2862	Cap, 390p, 5%, 50v, Ceramic.	3198 016 03910
2890	Cap, 100u, 20%, 25v, Electrolytic.	3198 025 31010
2891	Cap, 10n, 10%, 50v, Ceramic.	3198 017 01030
2892	Cap, 47u, 20%, 25v, Electrolytic	3198 025 34790
2893	Cap, 47u, 20%, 25v, Electrolytic	3198 025 34790
2894	Cap, 10n, 10%, 50v, Ceramic.	3198 017 01030
3801	Res, 100 ohm, 5%, 1/10W, Metalized Gl ass.	3198 021 51010
3802	Res, 100 ohm, 5%, 1/10W, Metalized Gl ass.	3198 021 51010
3803	Res, 1K, 5%, 1/6W, Carbon Film	3198 011 01020
3804	Res, 1K5, 5%, 1/6W, Carbon Film	3198 011 01520
3805	Res, 100 ohm, 5%, 1/10W, Metalized Gl ass.	3198 021 51010
3806	Res, 2K7, 5%, 1/10W, Metalized Glass	3198 021 52720
3807	Res, 8K2, 5%, 1/10W, Metalized Glass	3198 021 58220
3808	Res, 8K2, 5%, 1/10W, Metalized Glass	3198 021 58220
3809	Res, 8K2, 5%, 1/10W, Metalized Glass	3198 021 58220
3810	Res, 10K, 5%, 1/10W, Metalized Glass	3198 021 51030
3812	Res, 10K, 5%, 1/10W, Metalized Glass	3198 021 51030
3813	Res, 15K, 5%, 1/6W, Carbon Film	3198 011 01530
3814	Res, 1K, 5%, 1/10W, Metalized Glass.	3198 021 51020
3815	Res, 1K, 5%, 1/10W, Metalized Glass.	3198 021 51020
3816	Res, 820 ohm, 5%, 1/10W, Metalized Gl ass.	3198 021 58210
3817	Res, 1K, 5%, 1/10W, Metalized Glass.	3198 021 51020
3818	Res, 15K, 5%, 1/10W, Metalized Glass	3198 021 51530
3819	Res, 10K, 5%, 1/10W, Metalized Glass	3198 021 51030
3820	Res, 1K, 5%, 1/6W, Carbon Film	3198 011 01020
3821	Res, 390 ohm, 5%, 1/10W, Metalized Gl ass.	3198 021 53910

3822	Res, 390 ohm, 5%, 1/10W, Metalized Gl ass.	3198 021 53910
3823	Res, 390 ohm, 5%, 1/10W, Metalized Gl ass.	3198 021 53910
3824	Res, 15K, 5%, 1/10W, Metalized Glass	3198 021 51530
3827	Res, 330 ohm, 5%, 1/10W, Metalized Gl ass.	3198 021 53310
3828	Res, 4M7, 5%, 1/10W, Metalized Glass	3198 021 54750
3829	Res, 15K, 5%, 1/10W, Metalized Glass	3198 021 51530
3830	Res, 2K2, 5%, 1/10W, Metalized Glass	3198 021 52220
3831	Res, 1M, 5%, 1/10W, Metalized Glass.	3198 021 51050
3832	Res, 100 ohm, 5%, 1/6W, Carbon Film.	3198 011 01010
3833	Res, 100 ohm, 5%, 1/10W, Metalized Gl ass.	3198 021 51010
3834	Res, 100 ohm, 5%, 1/10W, Metalized Gl ass.	3198 021 51010
3836	Res, 1K, 5%, 1/10W, Metalized Glass.	3198 021 51020
3838	Res, 220 ohm, 5%, 1/10W, Metalized Gl ass.	3198 021 52210
3839	Res, 390 ohm, 5%, 1/10W, Metalized Gl ass.	3198 021 53910
3840	Res, Zero ohm, "Chip" Jumper	3198 021 90020
3843	Res, 220 ohm, 5%, 1/10W, Metalized Gl ass.	3198 021 52210
3844	Res, 390 ohm, 5%, 1/10W, Metalized Gl ass.	3198 021 53910
3845	Res, Zero ohm, "Chip" Jumper	3198 021 90020
3848	Res, 220 ohm, 5%, 1/10W, Metalized Gl ass.	3198 021 52210
3849	Res, 390 ohm, 5%, 1/10W, Metalized Gl ass.	3198 021 53910
3850	Res, Zero ohm, "Chip" Jumper	3198 021 90020
3852	Res, 12K, 5%, 1/10W, Metalized Glass	3198 021 51230
3853	Res, 12K, 5%, 1/10W, Metalized Glass	3198 021 51230
3854	Res, 15K, 5%, 1/10W, Metalized Glass	3198 021 51530
3856	Res, 820 ohm, 5%, 1/10W, Metalized Gl ass.	3198 021 58210
3857	Res, Zero ohm, "Chip" Jumper	3198 021 90020
3858	Res, 1K2, 5%, 1/10W, Metalized Glass	3198 021 51220
3859	Res, 47K, 5%, 1/10W, Metalized Glass	3198 021 54730
3860	Res, 1K8, 5%, 1/10W, Metalized Glass	3198 021 51820
3862	Res, 33 ohm, 5%, 1/10W, Metalized Gla ss.	3198 021 53390
3865	Res, 150 ohm, 5%, 1/6W, Carbon Film.	3198 011 01510
3890	Res, 68 ohm, 5%, 1/6W, Carbon Film	3198 011 06890
4800	Res, Zero ohm, "Chip" Jumper	3198 021 90020
4870	Res, Zero ohm, "Chip" Jumper	3198 021 90020
4871	Res, Zero ohm, "Chip" Jumper	3198 021 90020
4872	Res, Zero ohm, "Chip" Jumper	3198 021 90020
4909	Res, Zero ohm, "Chip" Jumper	3198 021 90020
5890	Coil, 10u.	3198 018 21090
5891	Coil, 10u.	3198 018 21090
5892	Coil, 10u.	3198 018 21090
6800	Diode, Signal, BAT85	9336 247 60133
6801	Diode, Signal, BAT85	9336 247 60133
6802	Diode, Signal, BAT85	9336 247 60133
6890	Zener Diode, 3.9 volt.	3198 020 53980
7801	IC, HEF4053BT.	9333 729 60653
7802	IC, N74F06N.	9339 990 90602
7803	IC, M65669SP	9322 146 60682
7804	Transistor, NPN, BC847B.	3198 010 42030
7805	Transistor, NPN, BC847B.	3198 010 42030
7806	Transistor, NPN, BC847B.	3198 010 42030
7807	Transistor, NPN, BC847B.	3198 010 42030
7810	Transistor, NPN, BC847B.	3198 010 42030
7813	Transistor, NPN, BC847B.	3198 010 42030
7816	Transistor, NPN, BC847B.	3198 010 42030
7818	IC, HEF4053BT.	9333 729 60653
7820	Transistor, NPN, BC847B.	3198 010 42030
7890	IC, MC78M05CT.	9334 703 90687
7891	Transistor, NPN, BC337	9331 796 00126
9800	Wire Jumper, 0.58MM.	3198 036 90010
9810	Wire Jumper, 0.58MM.	3198 036 90010
9912	Wire Jumper, 0.58MM.	3198 036 90010
9913	Wire Jumper, 0.58MM.	3198 036 90010
9914	Wire Jumper, 0.58MM.	3198 036 90010
9915	Wire Jumper, 0.58MM.	3198 036 90010
9917	Wire Jumper, 0.58MM.	3198 036 90010
9919	Wire Jumper, 0.58MM.	3198 036 90010
9920	Wire Jumper, 0.58MM.	3198 036 90010
9921	Wire Jumper, 0.58MM.	3198 036 90010
9922	Wire Jumper, 0.58MM.	3198 036 90010
9924	Wire Jumper, 0.58MM.	3198 036 90010
9925	Wire Jumper, 0.58MM.	3198 036 90010
9927	Wire Jumper, 0.58MM.	3198 036 90010
9928	Wire Jumper, 0.58MM.	3198 036 90010
9929	Wire Jumper, 0.58MM.	3198 036 90010

29LL600131 - Manual no. 7629

Cabinet & Accessory Parts

Cabinet & Accessory Parts			
S AC01	Power Cord	3135 010 04731	
AC03	Battery, Zinc, 1.5V (2-Pack)	9299 000 65263	
AC04	Cabinet, Back.	3139 124 40513	
AC07	Chassis Tray	3139 124 31324	
AC09	Clip, Anode Lead	3135 014 04471	
S AC10	CRT A68AJB82X11.	9301 891 90631	
AC11	Customer Control Panel	3139 124 32701	
AC12	Coil, Degaussing	2422 549 43967	
AC13	Holder, Degaussing (4 Used).	3135 013 01641	
AC16	Owners Manual.	3121 235 20223	
AC20A	Cabinet, Front - Model 29LL600131.	3139 138 12621	
AC20D	Light Guide.	3139 124 32671	
AC20E	Wordmark, Warm Silver.	3111 250 00571	
AC20J	Speaker, 16R, 5W (2 Used).	2422 264 00371	
AC22	Spring (Not Shown)	3139 121 26231	
AC23	Braid, Assembly.	3135 010 07311	
REMOTE	Remote Transmitter, RC19036001/01.	3139 228 86491	

Main Chassis Assembly Parts

Main Chassis Assembly Parts			
0122	Heatsink, Vertical	3139 121 62213	
0123	Heatsink, Audio.	3139 121 62501	
0124	Heatsink, SOPS	3139 121 62201	
0127	Socket, Fuse	2422 088 00271	
0129	NTC, Holder.	3139 120 10151	
0136	IC-Spring.	3104 301 22081	
0137	Spring	3139 121 24581	
0138	IC-Spring.	3104 301 22081	
0139	Spring for Bracket	3122 121 24786	
0141	IC-Spring.	3104 301 22081	
0152	Cable, DIP, 6 Pin, 400mm	3104 301 09421	
0153	Cable, DIPmate, 5 Pin, 480mm	3139 121 07951	
0165	Ground Terminal Assembly 340mm	3139 121 08883	
0211	Connector, 2 Pin	2422 025 16269	
S 0212	Connector, 2 Pin	2422 025 16375	
0219	Connector, 6 Pin	2422 025 12482	
S 0220	Connector, 5 Pin	2422 025 04853	
S 0221	Connector, 4 Pin	2422 025 15503	
S 0222	Connector, 2 Pin	2422 025 10646	
0223	Socket, Cinch, 9 Pin	2422 026 05236	
0225	Socket, MDIN, 10 Pin	2422 026 04926	
S 0243	Connector, 6 Pin	2422 025 04854	
0246	Connector, 5 Pin	2422 025 12481	
0267	Connector, 3 Pin	2412 020 00725	
0269	Socket, Cinch, 3 Pin	2422 026 05182	
1000	Tuner, V+U PLL	2422 542 90098	
1002	SAW Filter, 45MHz75, OFWFM1971M	2422 549 44518	
1200	Filter, Ceramic, 4MHz5	2422 549 40807	
S 1500	Fuse, 4A, 250V, IEC.	2422 086 10914	
S 1515	Relay, 12V, 5A G5PA-1.	2422 132 07444	
1600	Switch, Tactile.	2422 128 02742	
1601	Switch, Tactile.	2422 128 02742	
1602	Switch, Tactile.	2422 128 02742	
1603	Switch, Tactile.	2422 128 02742	
1606	Switch, Tactile.	2422 128 02742	
1660	Crystal, 12MHz000.	2422 543 01203	
1831	Crystal, Resonator, 18MHz432, 12 Pin, HC49/U A	2422 543 00842	
2004	Cap, 47n, 10%, 16v, Ceramic.	3198 017 34730	
2005	Cap, 10u, 20%, 50v, Electrolytic	3198 025 51090	
2006	Cap, 470u, 20%, 16v, Electrolytic.	3198 025 24710	
2007	Cap, 100n, +80/-20%, 25v, Ceramic.	3198 023 41040	
2008	Cap, 100u, 20%, 25v, Electrolytic.	3198 025 31010	
2009	Cap, 22n, 10%, 25v, Ceramic.	3198 017 32230	
2101	Cap, 470n, +80/-20%, 16v, Ceramic.	3198 017 24740	
2102	Cap, 22p, 5%, 50v, Ceramic	3198 016 02290	
2103	Cap, 330p, 10%, 50v, Ceramic	3198 017 33310	
2104	Cap, 330p, 10%, 50v, Ceramic	3198 017 33310	
2105	Cap, 10u, 20%, 50v, Electrolytic	3198 025 51090	
2106	Cap, 10u, 20%, 50v, Electrolytic	3198 025 51090	
2111	Cap, 22p, 5%, 50v, Ceramic	3198 016 02290	
2112	Cap, 22p, 5%, 50v, Ceramic	3198 016 02290	
2113	Cap, 22p, 5%, 50v, Ceramic	3198 016 02290	
2121	Cap, 22p, 5%, 50v, Ceramic	3198 016 02290	
2122	Cap, 330p, 10%, 50v, Ceramic	3198 017 33310	
2123	Cap, 2u2, +80/-20%, 10v, Ceramic	3198 017 22250	
2124	Cap, 330p, 10%, 50v, Ceramic	3198 017 33310	
2125	Cap, 2u2, +80/-20%, 10v, Ceramic	3198 017 22250	
2131	Cap, 330p, 10%, 50v, Ceramic	3198 017 33310	
2132	Cap, 2u2, +80/-20%, 10v, Ceramic	3198 017 22250	
2133	Cap, 330p, 10%, 50v, Ceramic	3198 017 33310	
2134	Cap, 2u2, +80/-20%, 10v, Ceramic	3198 017 22250	
2135	Cap, 22p, 5%, 50v, Ceramic	3198 016 02290	
2136	Cap, 22p, 5%, 50v, Ceramic	3198 016 02290	
2141	Cap, 330p, 10%, 50v, Ceramic	3198 017 33310	
2143	Cap, 100n, +80/-20%, 25v, Ceramic.	3198 023 41040	
2150	Cap, 150n, 10%, 16v, Ceramic	2238 780 15652	
2181	Cap, 22p, 5%, 50v, Ceramic	3198 016 02290	
2184	Cap, 2u2, +80/-20%, 10v, Ceramic	3198 017 22250	
2201	Cap, 100n, +80/-20%, 25v, Ceramic.	3198 023 21040	

2202	Cap, 100n, +80/-20%, 25v, Ceramic.	3198 023 21040	
2203	Cap, 100n, +80/-20%, 25v, Ceramic.	3198 023 21040	
2204	Cap, 100n, +80/-20%, 25v, Ceramic.	3198 023 41040	
2205	Cap, 220n, +80/-20%, 25v, Ceramic.	3198 023 22240	
2208	Cap, 100n, +80/-20%, 25v, Ceramic.	3198 023 41040	
2209	Cap, 4u7, 20%, 50v, Electrolytic	3198 025 54780	
2210	Cap, 1u, +80/-20%, 16v, Ceramic.	3198 017 21050	
2211	Cap, 470n, +80/-20%, 16v, Ceramic.	3198 017 24740	
2213	Cap, 22n, 10%, 50v, Ceramic.	3198 017 02230	
2214	Cap, 22n, 10%, 50v, Ceramic.	3198 017 02230	
2215	Cap, 22n, 10%, 50v, Ceramic.	3198 017 02230	
2216	Cap, 1000u, 20%, 16v, Electrolytic	3198 026 21020	
2217	Cap, 22n, 10%, 25v, Ceramic.	3198 017 32230	
2219	Cap, 220n, +80/-20%, 25v, Ceramic.	3198 023 22240	
2220	Cap, 470n, 10%, 50v, Polyester	3198 014 04740	
2221	Cap, 22n, 10%, 50v, Ceramic.	3198 017 02230	
2241	Cap, 1n5, 10%, 50v, Ceramic.	3198 017 31520	
2242	Cap, 1u, +80/-20%, 10v, Ceramic.	3198 017 41050	
2243	Cap, 2n2, 10%, 50v, Ceramic.	3198 017 02220	
2244	Cap, 100n, 5%, 63v, Metalized Polyest er.	2222 370 76104	
2245	Cap, 220n, +80/-20%, 16v, Ceramic.	3198 017 42240	
2247	Cap, 1000u, 20%, 16v, Electrolytic	3198 026 21020	
2248	Cap, 22n, 10%, 50v, Ceramic.	3198 017 02230	
2249	Cap, 22n, 10%, 25v, Ceramic.	3198 017 32230	
2250	Cap, 2u2, 20%, 50v, Electrolytic	3198 025 52280	
2252	Cap, 1n, 5%, 50v, Ceramic.	3198 016 01020	
2253	Cap, 1n, 5%, 50v, Ceramic.	3198 016 01020	
2254	Res, Zero ohm, "Chip" Jumper	3198 021 90020	
2405	Cap, 220u, 20%, 25v, Electrolytic.	3198 025 32210	
2441	Cap, 1u, 20%, 50v, Electrolytic.	3198 025 51080	
2443	Cap, 47n, +80/-20%, 50v, Ceramic	3198 017 24730	
2444	Cap, 1u, 20%, 50v, Electrolytic.	3198 025 51080	
2450	Cap, 47u, 20%, 160v, Electrolytic.	2020 021 91139	
2451	Cap, 15n, 10%, 50v, Polyester.	3198 014 01530	
2452	Cap, 180p, 5%, 50v, Ceramic.	3198 016 01810	
2455	Cap, 47u, 20%, 25v, Electrolytic	3198 025 34790	
2457	Cap, 470n, 5%, 250v, Polypropylene	2222 479 90023	
2458	Cap, 2u2, 20%, 100v, Electrolytic.	2020 021 91331	
2459	Cap, 680p, 10%, 500v, Ceramic.	3198 019 46810	
2460	Cap, 100p, 5%, 50v, Ceramic.	3198 016 01010	
2462	Cap, 330n, 10%, 250v, Polypropylene	2022 333 00084	
2463	Cap, 680p, 10%, 2000v, Ceramic	2020 558 90485	
2465	Cap, 11n, 5%, 1600v, Polypropylene	2222 375 90155	
2471	Cap, 100n, 10%, 50v, Polyester	3198 014 01040	
2472	Cap, 150n, 10%, 63v, Polyester	2222 365 75154	
2473	Cap, 100n, 10%, 63v, Polyester	2222 365 75104	
2474	Cap, 2n2, 10%, 50v, Ceramic.	3198 017 02220	
2475	Cap, 2n2, 10%, 50v, Ceramic.	3198 017 02220	
2476	Cap, 4n7, 10%, 50v, Ceramic.	3198 017 04720	
2480	Cap, 47u, 20%, 25v, Electrolytic	2020 021 90586	
2481	Cap, 470p, 10%, 500v, Ceramic.	3198 019 44710	
2482	Cap, 68n, 10%, 250v, Polyester	2222 347 90234	
2485	Cap, 4u7, 20%, 250v, Electrolytic.	2020 021 90856	
2486	Cap, 470u, 20%, 16v, Electrolytic.	2020 021 91577	
2487	Cap, 47u, 20%, 50v, Electrolytic	2020 021 90854	
2488	Cap, 1000u, 20%, 16v, Electrolytic	2020 021 91049	
2489	Cap, 470u, 20%, 16v, Electrolytic.	2020 021 91577	
2491	Cap, 1n, 10%, 500v, Ceramic.	3198 019 41020	
S 2500	Cap, 470n, 20%, 275v, Polypropylene.	2022 330 00018	
2501	Cap, 2n2, 10%, 1000v, Ceramic.	3198 019 52220	
2502	Cap, 2n2, 10%, 1000v, Ceramic.	3198 019 52220	
2503	Cap, 470u, 20%, 200v, Electrolytic	2020 024 90626	
2505	Cap, 2n2, 10%, 1000v, Ceramic.	3198 019 52220	
2507	Cap, 470p, 10%, 50v, Ceramic	3198 017 04710	
2508	Cap, 470p, 10%, 1000v, Ceramic	3198 019 64710	
S 2515	Cap, 1n5, 20%, v, Ceramic.	2020 554 90128	
2520	Cap, 100n, 10%, 16v, Ceramic	3198 017 01040	
2521	Cap, 22u, 20%, 50v, Electrolytic	3198 025 52290	
2522	Cap, 100n, 10%, 16v, Ceramic	3198 017 01040	
2523	Cap, 1n5, 10%, 2000v, Ceramic.	2020 558 90489	
2525	Cap, 470p, 10%, 50v, Ceramic	3198 017 04710	
2527	Cap, 2n2, 10%, 50v, Ceramic.	3198 017 02220	
2528	Cap, 1n, 10%, 50v, Ceramic.	3198 017 01020	
2540	Cap, 10n, 10%, 50v, Ceramic.	3198 017 01030	
2541	Cap, 10n, 10%, 50v, Ceramic.	3198 017 01030	
2560	Cap, 680p, 10%, 1000v, Ceramic	3198 019 66810	
2561	Cap, 100u, 20%, 160v, Electrolytic	2020 021 91654	
2562	Cap, 1n, 10%, 50v, Ceramic	3198 019 11020	
2563	Cap, 100n, 10%, 50v, Polyester	3198 014 01040	
2564	Cap, 2u2, 20%, 25v, Electrolytic	2020 021 91353	
2567	Cap, 47u, 20%, 25v, Electrolytic	3198 025 34790	
2568	Cap, 1u, 20%, 50v, Electrolytic.	3198 025 51080	
2580	Cap, 47u, 20%, 16v, Electrolytic	3198 028 24790	
2581	Cap, 22u, 20%, 50v, Electrolytic	3198 025 52290	
2601	Cap, 220n, +80/-20%, 25v, Ceramic.	3198 023 22240	
2602	Cap, 100p, 5%, 50v, Ceramic.	3198 016 01010	
2606	Cap, 1n, 10%, 50v, Ceramic	3198 017 01020	
2607	Cap, 33p, 5%, 50v, Ceramic	3198 016 33390	
2608	Cap, 1u, +80/-20%, 10v, Ceramic.	3198 017 41050	
2609	Cap, 33p, 5%, 50v, Ceramic	3198 016 33390	
2611	Cap, 1u, +80/-20%, 10v, Ceramic.	3198 017 41050	

S = Safety Part Be sure to use exact replacement part.

29LL600131 (continued)

2612	Cap, 68p, 5%, 50v, Ceramic	3198 016 06890	3205	Res, 1K, 5%, 1/10W, Metalized Glass.	3198 021 51020
2613	Cap, 68p, 5%, 50v, Ceramic	3198 016 06890	3206	Res, 33K, 5%, 1/16W, Metalized Glass	3198 021 33330
2615	Cap, 1n, 10%, 50v, Ceramic	3198 017 01020	3207	Res, 1K, 5%, 1/6W, Carbon Film . . .	3198 011 01020
2618	Cap, 1u, +80/-20%, 10v, Ceramic. . .	3198 017 41050	3208	Res, 220 ohm, 5%, 1/16W, Metalized Gl	
2619	Cap, 1u, +80/-20%, 16v, Ceramic. . .	3198 017 21050		ass.	3198 021 32210
2691	Cap, 220u, 20%, 25v, Electrolytic. .	3198 025 32210	3209	Res, 68 ohm, 5%, 1/16W, Metalized Gla	
2801	Cap, 22u, 20%, 50v, Electrolytic . .	3198 025 52290		ss.	3198 021 36890
2802	Cap, 220n, +80/-20%, 16v, Ceramic. .	3198 017 42240	3212	Res, 470 ohm, 5%, 1/16W, Metalized Gl	
2804	Cap, 2u2, +80/-20%, 10v, Ceramic . .	3198 017 22250		ass.	3198 021 34710
2805	Res, Zero ohm, "Chip" Jumper	3198 021 90020	3213	Res, 560 ohm, 5%, 1/6W, Carbon Film.	3198 011 05610
2806	Res, Zero ohm, "Chip" Jumper	3198 021 90020	3217	Res, 330K, 5%, 1/16W, Metalized Glass	3198 021 33340
2831	Cap, 1p, 25%, 50v, Ceramic	3198 016 31080	3218	Res, 82K, 5%, 1/16W, Metalized Glass	3198 021 38230
2832	Cap, 1p, 25%, 50v, Ceramic	3198 016 31080	3219	Res, 2K2, 5%, 1/16W, Metalized Glass	3198 021 32220
2833	Cap, 47p, 5%, 50v, Ceramic	3198 016 34790	3220	Res, 100 ohm, 5%, 1/6W, Carbon Film.	3198 011 01010
2834	Cap, 470p, 5%, 50v, Ceramic.	3198 016 34710	3221	Res, 560 ohm, 5%, 1/6W, Carbon Film.	3198 011 05610
2835	Cap, 220p, 5%, 50v, Ceramic.	3198 016 32210	3222	Res, 100 ohm, 5%, 1/6W, Carbon Film.	3198 011 01010
2836	Cap, 1n5, 10%, 50v, Ceramic.	3198 017 31520	3226	Res, 560 ohm, 5%, 1/16W, Metalized Gl	
2837	Cap, 4u7, 20%, 50v, Electrolytic . .	3198 025 54780		ass.	3198 021 35610
2840	Cap, 100n, +80/-20%, 25v, Ceramic. .	3198 023 41040	3235	Res, 100 ohm, 5%, 1/6W, Carbon Film.	3198 011 01010
2841	Cap, 10u, 20%, 50v, Electrolytic . .	3198 025 51090	3241	Res, 22K, 5%, 1/16W, Metalized Glass	3198 021 32230
2842	Cap, 100n, +80/-20%, 25v, Ceramic. .	3198 023 41040	3242	Res, 12K, 5%, 1/10W, Metalized Glass	3198 021 51230
2843	Cap, 10u, 20%, 50v, Electrolytic . .	3198 025 51090	3244	Res, 820 ohm, 5%, 1/6W, Carbon Film.	3198 011 08210
2844	Cap, 10u, 20%, 50v, Electrolytic . .	3198 025 51090	3245	Res, 39K, 1%, 1/8W, Metalized Glass.	2322 734 63903
2845	Cap, 100n, +80/-20%, 25v, Ceramic. .	3198 023 41040	3246	Res, 10K, 5%, 1/10W, Metalized Glass	3198 021 51030
2846	Cap, 100u, 20%, 25v, Electrolytic. .	3198 025 31010	3247	Res, 680K, 5%, 1/10W, Metalized Glass	3198 021 56840
2849	Cap, 1n, 5%, 25v, Ceramic.	3198 016 31020	3248	Res, 33K, 5%, 1/10W, Metalized Glass	3198 021 53330
2850	Cap, 1n, 5%, 25v, Ceramic.	3198 016 31020	3249	Res, 820 ohm, 5%, 1/6W, Carbon Film.	3198 011 08210
2851	Res, Zero ohm, "Chip" Jumper	3198 021 90020	3250	Res, 8K2, 5%, 1/6W, Carbon Film. . .	3198 011 08220
2852	Cap, 1n, 5%, 25v, Ceramic.	3198 016 31020	3251	Res, 100 ohm, 5%, 1/6W, Carbon Film.	3198 011 01010
2853	Res, Zero ohm, "Chip" Jumper	3198 021 90020	3256	Res, 1K, 5%, 1/10W, Metalized Glass.	3198 021 51020
2854	Cap, 1n, 5%, 25v, Ceramic.	3198 016 31020	3257	Res, 10M, 5%, 1/10W, Metalized Glass	3198 021 51060
2855	Cap, 33p, 5%, 50v, Ceramic	3198 016 33390	3258	Res, 100K, 5%, 1/10W, Metalized Glass	3198 021 51040
2856	Cap, 47p, 5%, 50v, Ceramic	3198 016 34790	3259	Res, 470K, 5%, 1/10W, Metalized Glass	3198 021 54740
2857	Cap, 150p, 5%, 50v, Ceramic.	3198 016 31510	3441	Res, 100 ohm, 5%, 1/10W, Metalized Gl	
2860	Cap, 180p, 5%, 50v, Ceramic.	3198 016 31810		ass.	3198 021 51010
2894	Cap, 220p, 5%, 50v, Ceramic.	3198 016 32210	3442	Res, Zero ohm, "Chip" Jumper	3198 021 90020
2895	Cap, 560p, 5%, 25v, Ceramic.	3198 016 35610	3443	Res, 1M, 5%, 1/10W, Metalized Glass.	3198 021 51050
2897	Cap, 390p, 5%, 50v, Ceramic.	3198 016 33910	3445	Res, 15K, 5%, 1/6W, Carbon Film. . .	3198 011 01530
2898	Cap, 10n, 10%, 50v, Ceramic.	3198 017 31030	3446	Res, 5K6, 5%, 1/6W, Carbon Film. . .	3198 011 05620
2902	Cap, 1000u, 20%, 16v, Electrolytic . .	3198 026 21020	3447	Res, 180 ohm, 5%, 1/6W, Carbon Film.	3198 011 01810
2903	Cap, 1u, 20%, 50v, Electrolytic. . . .	3198 025 51080	3448	Res, 820 ohm, 5%, 1/6W, Carbon Film.	3198 011 08210
2904	Cap, 470n, +80/-20%, 16v, Ceramic. .	3198 017 24740	3449	Res, 68 ohm, 5%, 1/6W, Carbon Film .	3198 011 06890
2905	Cap, 1n, 10%, 50v, Ceramic	3198 017 01020	3450	Res, 33 ohm, 5%, 1/6W, Carbon Film .	3198 011 03390
2906	Cap, 470n, +80/-20%, 16v, Ceramic. .	3198 017 24740	S 3451	Res, 10 ohm, 5%, 1/3W, Metal Film. . .	2306 204 03109
2907	Cap, 1n, 10%, 50v, Ceramic	3198 017 01020	3452	Res, 10K, 1%, 3/5W, Metal Film	2312 915 11003
2908	Cap, 10u, 20%, 50v, Electrolytic . .	3198 025 51090	3453	Res, 1K, 5%, 1/6W, Carbon Film	3198 011 01020
2910	Cap, 3n3, 10%, 50v, Ceramic.	3198 017 03320	3454	Res, 3K9, 1%, 3/5W, Metal Film	2312 915 13902
2911	Cap, 3n3, 10%, 50v, Ceramic.	3198 017 03320	3455	Res, 6R8, 5%, 1 1/3W, Metal Film . . .	3198 012 26880
2950	Cap, 330p, 5%, 50v, Ceramic.	3198 016 33310	3456	Res, Zero ohm, "Chip" Jumper	3198 021 90020
3000	Res, 100 ohm, 5%, 1/6W, Carbon Film.	3198 011 01010	3457	Res, Zero ohm, "Chip" Jumper	3198 021 90020
3001	Res, 100 ohm, 5%, 1/6W, Carbon Film.	3198 011 01010	3458	Res, 1K, 5%, 1/6W, Carbon Film	3198 011 01020
3002	Res, Zero ohm, "Chip" Jumper	3198 021 90020	3459	Res, 15K, 5%, 1 1/3W, Metal Film . . .	3198 012 21530
3003	Res, 1K5, 5%, 1/16W, Metalized Glass	3198 021 31520	3460	Res, 3K9, 5%, 1/6W, Carbon Film. . . .	3198 011 03920
3004	Res, 8K2, 5%, 1/16W, Metalized Glass	3198 021 38220	3463	Res, 33 ohm, 5%, 1/6W, Carbon Film . .	3198 011 03390
3005	Res, 100 ohm, 5%, 1/6W, Carbon Film.	3198 011 01010	3465	Res, 27K, 1%, 3/5W, Metal Film	2312 915 12703
3101	Res, 68 ohm, 5%, 1/6W, Carbon Film .	3198 011 06890	3468	Res, 220 ohm, 5%, 1/6W, Carbon Film.	3198 011 02210
3102	Res, 1K, 5%, 1/16W, Metalized Glass.	3198 021 31020	3469	Res, 3K3, 5%, 1/6W, Carbon Film. . . .	3198 011 03320
3103	Res, 150 ohm, 5%, 1/6W, Carbon Film.	3198 011 01510	3470	Res, 330K, 5%, 1/10W, Metalized Glass	3198 021 53340
3104	Res, 220K, 5%, 1/16W, Metalized Glass	3198 021 32240	3471	Res, 3R3, 1%, 3/5W, Metal Film	2312 915 13308
3105	Res, 150 ohm, 5%, 1/6W, Carbon Film.	3198 011 01510	3472	Res, 3R3, 1%, 3/5W, Metal Film	2312 915 13308
3106	Res, 220K, 5%, 1/16W, Metalized Glass	3198 021 32240	3473	Res, 3R3, 1%, 3/5W, Metal Film	2312 915 13308
3111	Res, 75 ohm, 5%, 1/6W, Carbon Film .	3198 011 07590	3474	Res, 2K2, 1%, 3/5W, Metal Film	2312 915 12202
3112	Res, 100 ohm, 5%, 1/6W, Carbon Film.	3198 011 01010	3475	Res, 2K2, 1%, 3/5W, Metal Film	2312 915 12202
3113	Res, 75 ohm, 5%, 1/6W, Carbon Film .	3198 011 07590	3477	Res, 150 ohm, 5%, 1/6W, Carbon Film.	3198 011 01510
3114	Res, 100 ohm, 5%, 1/6W, Carbon Film.	3198 011 01010	3478	Res, 150 ohm, 5%, 1/6W, Carbon Film.	3198 011 01510
3115	Res, 75 ohm, 5%, 1/6W, Carbon Film .	3198 011 07590	3479	Res, 2K7, 5%, 1/10W, Metalized Glass	3198 021 52720
3116	Res, 100 ohm, 5%, 1/6W, Carbon Film.	3198 011 01010	3480	Res, 1R5, 5%, 1/4W, Carbon Film. . . .	2120 101 74158
3122	Wire Jumper, 0.58MM.	3198 036 90010	3481	Res, 12K, 1%, 3/5W, Metal Film	2312 915 11203
3123	Res, 150 ohm, 5%, 1/6W, Carbon Film.	3198 011 01510	3482	Res, 12K, 1%, 3/5W, Metal Film	2312 915 11203
3124	Res, 47K, 5%, 1/16W, Metalized Glass	3198 021 34730	3484	Res, 3K9, 5%, 1/6W, Carbon Film. . . .	3198 011 03920
3125	Res, 150 ohm, 5%, 1/6W, Carbon Film.	3198 011 01510	3486	Res, 33 ohm, 5%, 2 1/2W, Metal Film.	3198 012 33390
3126	Res, 47K, 5%, 1/16W, Metalized Glass	3198 021 34730	3488	Res, 4R7, 5%, 1/2W, Metal Film	2306 207 03478
3131	Res, 150 ohm, 5%, 1/6W, Carbon Film.	3198 011 01510	3490	Res, 8K2, 5%, 1/6W, Carbon Film. . . .	3198 011 08220
3132	Res, 47K, 5%, 1/16W, Metalized Glass	3198 021 34730	3492	Res, 1K, 5%, 1/10W, Metalized Glass.	3198 021 51020
3133	Res, 150 ohm, 5%, 1/6W, Carbon Film.	3198 011 01510	3493	Res, 6R8, 5%, 1/3W, Metal Film	2306 204 03688
3134	Res, 47K, 5%, 1/16W, Metalized Glass	3198 021 34730	3494	Res, 4R7, 5%, 1/2W, Metal Film	2306 207 03478
3135	Res, 75 ohm, 5%, 1/6W, Carbon Film .	3198 011 07590	3495	Res, 22K, 5%, 1/10W, Metalized Glass	3198 021 52230
3136	Res, 100 ohm, 5%, 1/6W, Carbon Film.	3198 011 01010	3496	Res, 100K, 5%, 1/10W, Metalized Glass	3198 021 51040
3138	Wire Jumper, 0.58MM.	3198 036 90010	3497	Res, 100K, 5%, 1/10W, Metalized Glass	3198 021 51040
3141	Res, 1K, 5%, 1/6W, Carbon Film	3198 011 01020	3498	Res, 12K, 5%, 1/10W, Metalized Glass	3198 021 51230
3149	Res, 100K, 5%, 1/16W, Metalized Glass	3198 021 31040	3499	Res, 10K, 5%, 1/10W, Metalized Glass	3198 021 51030
3150	Res, 150K, 5%, 1/16W, Metalized Glass	3198 021 31540	S 3500	Res, 3M3, 5%, 1/2W, Metalized Glass.	2322 242 13335
3154	Res, 5K6, 5%, 1/6W, Carbon Film. . . .	3198 011 05620	S 3501	Res, 3M3, 5%, 1/2W, Metalized Glass.	2322 242 13335
3156	Res, 10K, 5%, 1/6W, Carbon Film. . . .	3198 011 01030	S 3504	PTC, DC, 120V,P3020 B.	2120 661 00025
3157	Res, 1K5, 5%, 1/16W, Metalized Glass	3198 021 31520	S 3506	Res, 1M5, 5%, 1/2W, Metalized Glass.	2322 242 13155
3158	Res, 10K, 5%, 1/16W, Metalized Glass	3198 021 31030	S 3507	Surge Protector.	2422 549 43073
3159	Res, 1K2, 1%, 1/8W, Metalized Glass.	2322 734 61202	S 3508	Res, 220 ohm, 20%, 1/2W, Carbon Film	3198 013 02210
3200	Res, 390 ohm, 5%, 1/6W, Carbon Film.	3198 011 03910	S 3510	NTC, DC, B57237, 3W1, 4R7, 20% . . .	2122 612 00056
3201	Res, 100 ohm, 5%, 1/6W, Carbon Film.	3198 011 01010	3519	Res, 270 ohm, 5%, 1/6W, Carbon Film.	3198 011 02710
3202	Res, 100 ohm, 5%, 1/6W, Carbon Film.	3198 011 01010	3520	Res, 1K2, 5%, 1/10W, Metalized Glass	3198 021 51220
3203	Res, 100 ohm, 5%, 1/6W, Carbon Film.	3198 011 01010	3521	Res, 4R7, 5%, 1/6W, Carbon Film. . . .	3198 011 04780
3204	Res, 22K, 5%, 1/6W, Carbon Film. . . .	3198 011 02230	3522	Res, 330K, 1%, 1/8W, Metalized Glass	2322 734 63304

S = Safety Part Be sure to use exact replacement part.

29LL600131 (continued)

S 3523	Res, 100 ohm, 5%, 1/3W, Metal Film .	2306 204 03101	3903	Res, 3K3, 5%, 1/16W, Metalized Glass	3198 021 33320
3524	Res, 56K, 5%, 1/10W, Metalized Glass	3198 021 55630	3904	Res, 10K, 5%, 1/16W, Metalized Glass	3198 021 31030
3525	Res, 1K, 5%, 1/10W, Metalized Glass	3198 021 51020	3905	Res, 3K3, 5%, 1/16W, Metalized Glass	3198 021 33320
3526	Res, 0R1, 5%, 3/5W, Metal Film . . .	3198 012 11070	3906	Res, 10K, 5%, 1/16W, Metalized Glass	3198 021 31030
3527	Res, 0R33, 5%, 3/5W, Metal Film. . .	3198 012 13370	3907	Res, 8K2, 5%, 1/16W, Metalized Glass	3198 021 38220
3528	Res, Zero ohm, "Chip" Jumper	3198 021 90020	4001	Res, Zero ohm, "Chip" Jumper	3198 021 90020
3529	Res, 47K, 5%, 1/10W, Metalized Glass	3198 021 54730	4002	Res, Zero ohm, "Chip" Jumper	3198 021 90020
3530	Res, 10K, 5%, 1/10W, Metalized Glass	3198 021 51030	4181	Res, Zero ohm, "Chip" Jumper	3198 021 90020
3531	Res, 4K7, 5%, 1/10W, Metalized Glass	3198 021 54720	4209	Res, Zero ohm, "Chip" Jumper	3198 021 90020
S 3532	Res, 2K2, 5%, 1/3W, Metal Film . . .	2306 204 03222	4216	Res, Zero ohm, "Chip" Jumper	3198 021 90020
3541	Res, 470 ohm, 5%, 1/10W, Metalized Gl ass.	3198 021 54710	4217	Res, Zero ohm, "Chip" Jumper	3198 021 90020
3542	Res, 1K5, 5%, 1/10W, Metalized Glass	3198 021 51520	4401	Res, Zero ohm, "Chip" Jumper	3198 021 90020
3543	Res, 82K, 1%, 3/5W, Metal Film . . .	2312 915 18203	4402	Res, Zero ohm, "Chip" Jumper	3198 021 90020
3544	Res, 4K7, 1%, 1/8W, Metalized Glass.	2322 734 64702	4430	Res, Zero ohm, "Chip" Jumper	3198 021 90020
3545	Res, 270K, 5%, 1/8W, Metalized Glass	2322 730 61274	4500	Res, Zero ohm, "Chip" Jumper	3198 021 90020
3548	Res, 15K, 5%, 1/10W, Metalized Glass	3198 021 51530	4601	Res, Zero ohm, "Chip" Jumper	3198 021 90030
3552	Res, 4K7, 5%, 1/10W, Metalized Glass	3198 021 54720	4613	Res, Zero ohm, "Chip" Jumper	3198 021 90020
3557	Res, 1K, 5%, 1/10W, Metalized Glass.	3198 021 51020	4614	Res, Zero ohm, "Chip" Jumper	3198 021 90020
3561	Res, 100 ohm, 5%, 1/6W, Carbon Film.	3198 011 01010	4615	Res, Zero ohm, "Chip" Jumper	3198 021 90020
3562	Res, 12K, 5%, 1/10W, Metalized Glass	3198 021 51230	4617	Res, Zero ohm, "Chip" Jumper	3198 021 90020
3563	Res, 5K6, 5%, 1/10W, Metalized Glass	3198 021 55620	4619	Res, Zero ohm, "Chip" Jumper	3198 021 90020
3564	Res, 0R1, 5%, 1/3W, Metal Film . . .	3198 012 21070	4622	Res, Zero ohm, "Chip" Jumper	3198 021 90020
3565	Res, 330 ohm, 5%, 1W, Metal Film . . .	3198 012 13310	4623	Res, Zero ohm, "Chip" Jumper	3198 021 90020
3566	Res, 2K2, 5%, 1/10W, Metalized Glass	3198 021 52220	4691	Res, Zero ohm, "Chip" Jumper	3198 021 90020
3567	Res, 1K8, 5%, 1/16W, Metalized Glass	3198 021 31820	4692	Res, Zero ohm, "Chip" Jumper	3198 021 90020
3569	Res, 5K6, 5%, 1/10W, Metalized Glass	3198 021 55620	4693	Res, Zero ohm, "Chip" Jumper	3198 021 90020
3580	Res, 47K, 5%, 1/10W, Metalized Glass	3198 021 54730	4696	Res, Zero ohm, "Chip" Jumper	3198 021 90020
3594	Res, 330 ohm, 5%, 1/10W, Metalized Gl ass.	3198 021 53310	4801	Res, Zero ohm, "Chip" Jumper	3198 021 90020
3595	Res, 220K, 5%, 1/10W, Metalized Glass	3198 021 52240	4831	Res, Zero ohm, "Chip" Jumper	3198 021 90020
3596	Res, 220K, 5%, 1/10W, Metalized Glass	3198 021 52240	4833	Res, Zero ohm, "Chip" Jumper	3198 021 90020
3601	Res, 8K2, 5%, 1/6W, Carbon Film. . .	3198 011 08220	4835	Res, Zero ohm, "Chip" Jumper	3198 021 90020
3603	Res, 100 ohm, 5%, 1/6W, Carbon Film.	3198 011 01010	4901	Res, Zero ohm, "Chip" Jumper	3198 021 90020
3604	Res, 100 ohm, 5%, 1/6W, Carbon Film.	3198 011 01010	4903	Res, Zero ohm, "Chip" Jumper	3198 021 90020
3605	Res, 4K7, 5%, 1/16W, Metalized Glass	3198 021 34720	4982	Res, Zero ohm, "Chip" Jumper	3198 021 90020
3606	Res, 2K2, 5%, 1/6W, Carbon Film. . .	3198 011 02220	5001	Coil, 27u.	3198 018 22790
3607	Res, 2K2, 5%, 1/6W, Carbon Film. . .	3198 011 02220	5002	Coil, 820n	3198 018 18270
3608	Res, 470 ohm, 5%, 1/6W, Carbon Film.	3198 011 04710	5201	Coil, 6u8.	3198 018 16880
3609	Res, 1K, 5%, 1/6W, Carbon Film . . .	3198 011 01020	5202	Wire Jumper, 0.58MM.	3198 036 90010
3610	Res, 8K2, 5%, 1/6W, Carbon Film. . .	3198 011 08220	5204	Fixed, Inductor, 100MHZ, 80 ohm. . .	3198 018 90020
3611	Res, 100 ohm, 5%, 1/16W, Metalized Gl ass.	3198 021 31010	5205	Fixed, Inductor, 100MHZ, 80 ohm. . .	3198 018 90020
3618	Res, 6K8, 5%, 1/6W, Carbon Film. . .	3198 011 06820	5206	Fixed, Inductor, 100MHZ, 80 ohm. . .	3198 018 90020
3622	Res, 470 ohm, 5%, 1/10W, Metalized Gl ass.	3198 021 54710	5241	Wire Jumper, 0.58MM.	3198 036 90010
3623	Res, 4K7, 5%, 1/16W, Metalized Glass	3198 021 34720	5242	Coil, 10u.	3198 018 11090
3624	Res, 100 ohm, 5%, 1/6W, Carbon Film.	3198 011 01010	S 5445	Transformer, SLOT, 1342.0043B Y. . .	2422 531 02506
3625	Res, 100 ohm, 5%, 1/6W, Carbon Film.	3198 011 01010	5451	Coil, 33u.	3198 018 73390
3626	Res, 4K7, 5%, 1/16W, Metalized Glass	3198 021 34720	5452	Fixed, Inductor, 100MHZ, 80 ohm. . .	3198 018 90020
3627	Res, 4K7, 5%, 1/16W, Metalized Glass	3198 021 34720	5457	Coil, 42u.	2422 535 94865
3628	Res, 10K, 5%, 1/16W, Metalized Glass	3198 021 31030	5461	Transformer, Signal Driver, SC10015-0 0 B.	2422 531 02465
3630	Res, 2K2, 5%, 1/16W, Metalized Glass	3198 021 32220	5471	Coil, 3u3.	3198 018 73380
3632	Res, Zero ohm, "Chip" Jumper	3198 021 90020	5472	Coil, 3u3.	3198 018 23380
3634	Res, 100 ohm, 5%, 1/6W, Carbon Film.	3198 011 01010	5480	Coil, 39u.	2422 535 97336
3635	Res, 100 ohm, 5%, 1/6W, Carbon Film.	3198 011 01010	S 5501	Filter, Mains, 5mH, 2A	2422 549 43432
3636	Res, 100 ohm, 5%, 1/10W, Metalized Gl ass.	3198 021 51010	S 5520	Transformer, Layer, SS39009-04 B . .	2422 531 02459
3638	Res, 75 ohm, 5%, 1/16W, Metalized Gla ss.	3198 021 37590	5521	Fixed, Inductor, 100MHZ, 50R. . . .	3198 018 90010
3639	Res, Zero ohm, "Chip" Jumper	3198 021 90020	5560	Fixed, Inductor, 100MHZ, 50R. . . .	3198 018 90010
3681	Res, 390 ohm, 5%, 1/16W, Metalized Gl ass.	3198 021 33910	5561	Coil, 27u.	3198 018 22790
3682	Res, 3K3, 5%, 1/10W, Metalized Glass	3198 021 53320	5562	Fixed, Inductor, 100MHZ, 50R. . . .	3198 018 90010
3683	Res, 390 ohm, 5%, 1/16W, Metalized Gl ass.	3198 021 33910	5564	Fixed, Inductor, 100MHZ, 50R. . . .	3198 018 90010
3684	Res, 560 ohm, 5%, 1/16W, Metalized Gl ass.	3198 021 35610	5602	Coil, 5u6.	3198 018 15680
3685	Res, 560 ohm, 5%, 1/16W, Metalized Gl ass.	3198 021 35610	5603	Coil, 5u6.	3198 018 15680
3686	Res, 1K5, 5%, 1/16W, Metalized Glass	3198 021 31520	5604	Coil, 5u6.	3198 018 15680
3691	Res, 330 ohm, 5%, 1/16W, Metalized Gl ass.	3198 021 33310	5831	Coil, 6u8.	3198 018 16880
3693	Res, 220 ohm, 5%, 1/16W, Metalized Gl ass.	3198 021 32210	5832	Coil, 6u8.	3198 018 16880
3694	Res, 4K7, 5%, 1/16W, Metalized Glass	3198 021 34720	5833	Coil, 6u8.	3198 018 16880
3801	Res, 220 ohm, 5%, 1/6W, Carbon Film.	3198 011 02210	5835	Coil, 12u.	3198 018 31290
3802	Res, 1K, 5%, 1/6W, Carbon Film . . .	3198 011 01020	6001	Zener Diode, 33 volt	3198 010 23390
3809	Res, 75 ohm, 5%, 1/16W, Metalized Gla ss.	3198 021 37590	6006	Diode, Signal, 1N4148.	3198 010 10010
3810	Res, 75 ohm, 5%, 1/16W, Metalized Gla ss.	3198 021 37590	6007	Diode, Signal, 1N4148.	3198 010 10010
3831	Res, 47K, 5%, 1/16W, Metalized Glass	3198 021 34730	6150	Diode, Signal, BAS316.	3198 010 10630
3832	Res, 100 ohm, 5%, 1/6W, Carbon Film.	3198 011 01010	6201	Diode, Signal, BAS316.	3198 010 10630
3833	Res, 100 ohm, 5%, 1/6W, Carbon Film.	3198 011 01010	6202	Diode, Signal, BAS316.	3198 010 10630
3836	Res, 1K, 5%, 1/16W, Metalized Glass.	3198 021 31020	6206	Zener Diode, 6.8 volt.	3198 020 56880
3837	Res, 100 ohm, 5%, 1/6W, Carbon Film.	3198 011 01010	6445	Zener Diode, 10 volt.	3198 020 51090
3838	Res, 1K, 5%, 1/16W, Metalized Glass.	3198 021 31020	6447	Diode, Signal, 1N4148.	3198 010 10010
3839	Res, 100 ohm, 5%, 1/6W, Carbon Film.	3198 011 01010	6448	Zener Diode, 6.2 volt.	9331 668 30133
3843	Res, 2K2, 5%, 1/16W, Metalized Glass	3198 021 32220	6449	Diode, Signal, BAV99	3198 010 10620
3901	Res, 1K, 5%, 1/16W, Metalized Glass.	3198 021 31020	6453	Zener Diode, 6.8 volt.	3198 020 56880
3902	Res, 3K3, 5%, 1/16W, Metalized Glass	3198 021 33320	6460	Diode, Rect, BY228/24	9340 559 50112
			6461	Diode, Rect, RGP30J-L7004	9338 617 60682
			6462	Zener Diode, 9.1 volt.	9331 177 80133
			6465	Diode, Signal, BAV21	3198 010 10070
			6466	Diode, Signal, BAV21	3198 010 10070
			6467	Diode, Signal, BAS316.	3198 010 10630
			6468	Diode, Signal, BAS316.	3198 010 10630
			6469	Diode, Rect, BYD33J	9337 234 20133
			6470	Diode, Signal, BAV99	3198 010 10620
			6476	Zener Diode, 15 volt.	3198 010 21590
			6481	Zener Diode, 5.6 volt.	3198 010 25680
			6482	Zener Diode, 9.1 volt.	9331 177 80133
			6483	Zener Diode, 33 volt	3198 010 23390
			6485	Diode, Rect, BYD33J	9337 234 20133

S = Safety Part Be sure to use exact replacement part.

29LL600131 (continued)

6486	Diode, Rect, EGP20DL-5100	9322 164 42682	9500	Wire Jumper, 0.58MM.	3198 036 90010
6487	Diode, Rect, BYD33D	9337 234 00133	9501	Wire Jumper, 0.58MM.	3198 036 90010
6488	Diode, Rect, EGP20DL-5100	9322 164 42682	9503	Wire Jumper, 0.58MM.	3198 036 90010
6500	Diode, Bridge Rect, GBU4JL-7002	9322 132 55667	9506	Wire Jumper, 0.58MM.	3198 036 90010
6520	Diode, Rect, BYD33D	9337 234 00133	9507	Wire Jumper, 0.58MM.	3198 036 90010
6523	Diode, Signal, 1N4148.	3198 010 10010	9510	Wire Jumper, 0.58MM.	3198 036 90010
6524	Diode, Rect, 1N5062	3198 010 10120	9512	Wire Jumper, 0.58MM.	3198 036 90010
6525	Diode, Rect, 1N5062	3198 010 10120	9513	Wire Jumper, 0.58MM.	3198 036 90010
6526	Zener Diode, 22 volt	3198 020 52290	9514	Wire Jumper, 0.58MM.	3198 036 90010
6540	Zener Diode, 6.2 volt.	9331 668 30133	9515	Wire Jumper, 0.58MM.	3198 036 90010
6541	Zener Diode, 10 volt	3198 020 51090	9516	Wire Jumper, 0.58MM.	3198 036 90010
6560	Diode, Rect, BYV29X-500	9340 555 59127	9518	Wire Jumper, 0.58MM.	3198 036 90010
6562	Diode, Rect, EGP20DL-5100	9322 164 42682	9520	Wire Jumper, 0.58MM.	3198 036 90010
6563	Diode, Signal, BAS316.	3198 010 10630	9521	Wire Jumper, 0.58MM.	3198 036 90010
6565	Diode, Signal, BAV70	9331 849 10215	9522	Wire Jumper, 0.58MM.	3198 036 90010
6566	Diode, Signal, 1N4148.	3198 010 10010	9524	Wire Jumper, 0.58MM.	3198 036 90010
6569	Diode, Signal, BAS316.	3198 010 10630	9525	Wire Jumper, 0.58MM.	3198 036 90010
6570	Zener Diode, 6.8 volt.	3198 020 56880	9528	Wire Jumper, 0.58MM.	3198 036 90010
6580	Diode, Signal, BAS316.	3198 010 10630	9610	Wire Jumper, 0.58MM.	3198 036 90010
6681	Diode, Signal, BAT85	9336 247 60133	9611	Coil, 27u.	3198 018 22790
6691	LED, LTL-10224WHCR.	9322 050 99682	9612	Wire Jumper, 0.58MM.	3198 036 90010
6692	IR Receiver, TSOP1836UH3V	9322 127 54667	9613	Wire Jumper, 0.58MM.	3198 036 90010
6831	Diode, Signal, 1N4148.	3198 010 10010	9614	Wire Jumper, 0.58MM.	3198 036 90010
6901	Res, Zero ohm, "Chip" Jumper	3198 021 90020	9615	Wire Jumper, 0.58MM.	3198 036 90010
7101	Transistor, NPN, BC847B.	3198 010 42030	9616	Wire Jumper, 0.58MM.	3198 036 90010
7102	Transistor, PNP, BC857B.	3198 010 42150	9617	Wire Jumper, 0.58MM.	3198 036 90010
7103	Transistor, NPN, BC847B.	3198 010 42030	9618	Wire Jumper, 0.58MM.	3198 036 90010
7200	IC, TDA9587H/N1/3/0830	9352 716 32557	9619	Wire Jumper, 0.58MM.	3198 036 90010
7201	Transistor, NPN, BC847B.	3198 010 42030	9620	Wire Jumper, 0.58MM.	3198 036 90010
7204	Transistor, PNP, BC857B.	3198 010 42150	9621	Wire Jumper, 0.58MM.	3198 036 90010
7205	Transistor, PNP, BC857B.	3198 010 42150	9622	Wire Jumper, 0.58MM.	3198 036 90010
7441	Transistor, NPN, BC857B.	3198 010 42150	9623	Wire Jumper, 0.58MM.	3198 036 90010
7443	Transistor, PNP, BC557B.	3198 020 40110	9624	Wire Jumper, 0.58MM.	3198 036 90010
7450	Transistor, PNP, PDTA114ET	3198 010 44010	9625	Wire Jumper, 0.58MM.	3198 036 90010
7460	Transistor, NPN, BU4508DX.	9340 550 92127	9626	Wire Jumper, 0.58MM.	3198 036 90010
7461	Transistor, NPN, BC337-25.	3198 020 43530	9627	Wire Jumper, 0.58MM.	3198 036 90010
7462	Transistor, NPN, PDTC143ZT	9340 547 00215	9628	Wire Jumper, 0.58MM.	3198 036 90010
7463	Transistor, PNP, BC327-25.	3198 020 43430	9629	Wire Jumper, 0.58MM.	3198 036 90010
7471	IC, TDA8359J/N2.	9352 701 64112	9630	Wire Jumper, 0.58MM.	3198 036 90010
7480	Transistor, NPN, BD135	3198 020 41010	9631	Wire Jumper, 0.58MM.	3198 036 90010
7482	Transistor, NPN, BD135	3198 020 41010	9632	Wire Jumper, 0.58MM.	3198 036 90010
S 7515	Optic, Coupler, TCET1104(G).	9322 175 72667	9633	Wire Jumper, 0.58MM.	3198 036 90010
7520	IC, TEA1507P/N1.	9352 673 56112	9634	Wire Jumper, 0.58MM.	3198 036 90010
7521	FET Power, STP8NC50FP.	9322 160 72687	9637	Wire Jumper, 0.58MM.	3198 036 90010
7522	Transistor, NPN, BC847B.	3198 010 42030	9638	Wire Jumper, 0.58MM.	3198 036 90010
7540	Transistor, NPN, BC547B.	3198 020 40030	9639	Wire Jumper, 0.58MM.	3198 036 90010
7541	Transistor, NPN, PDTC114ET	9340 310 10215	9640	Wire Jumper, 0.58MM.	3198 036 90010
7542	Transistor, PNP, BC857B.	3198 010 42150	9641	Wire Jumper, 0.58MM.	3198 036 90010
7560	IC, L78L33ACZ.	9322 134 92676	9642	Wire Jumper, 0.58MM.	3198 036 90010
7561	Transistor, NPN, PDTC143ZT	9340 547 00215	9643	Wire Jumper, 0.58MM.	3198 036 90010
7580	Transistor, PNP, BC857B.	3198 010 42150	9644	Wire Jumper, 0.58MM.	3198 036 90010
7602	IC, M24C08-WBN6.	9322 154 38682	9645	Wire Jumper, 0.58MM.	3198 036 90010
7801	IC, HEF4052BT.	9333 729 50653	9646	Wire Jumper, 0.58MM.	3198 036 90010
7802	IC, HEF4053BT.	9333 729 60653	9648	Wire Jumper, 0.58MM.	3198 036 90010
7831	IC, MSP3445G-PO-B8	9322 160 81682	9650	Wire Jumper, 0.58MM.	3198 036 90010
7901	IC, AN7522N	9322 181 41682	9654	Wire Jumper, 0.58MM.	3198 036 90010
9001	Wire Jumper, 0.58MM.	3198 036 90010	9655	Wire Jumper, 0.58MM.	3198 036 90010
9101	Wire Jumper, 0.58MM.	3198 036 90010	9656	Wire Jumper, 0.58MM.	3198 036 90010
9102	Wire Jumper, 0.58MM.	3198 036 90010	9657	Wire Jumper, 0.58MM.	3198 036 90010
9103	Wire Jumper, 0.58MM.	3198 036 90010	9658	Wire Jumper, 0.58MM.	3198 036 90010
9171	Wire Jumper, 0.58MM.	3198 036 90010	9659	Wire Jumper, 0.58MM.	3198 036 90010
9172	Wire Jumper, 0.58MM.	3198 036 90010	9660	Wire Jumper, 0.58MM.	3198 036 90010
9173	Wire Jumper, 0.58MM.	3198 036 90010	9661	Wire Jumper, 0.58MM.	3198 036 90010
9175	Wire Jumper, 0.58MM.	3198 036 90010	9662	Wire Jumper, 0.58MM.	3198 036 90010
9176	Wire Jumper, 0.58MM.	3198 036 90010	9663	Wire Jumper, 0.58MM.	3198 036 90010
9178	Wire Jumper, 0.58MM.	3198 036 90010	9664	Wire Jumper, 0.58MM.	3198 036 90010
9179	Wire Jumper, 0.58MM.	3198 036 90010	9665	Wire Jumper, 0.58MM.	3198 036 90010
9181	Wire Jumper, 0.58MM.	3198 036 90010	9666	Wire Jumper, 0.58MM.	3198 036 90010
9182	Wire Jumper, 0.58MM.	3198 036 90010	9668	Wire Jumper, 0.58MM.	3198 036 90010
9183	Wire Jumper, 0.58MM.	3198 036 90010	9669	Wire Jumper, 0.58MM.	3198 036 90010
9192	Wire Jumper, 0.58MM.	3198 036 90010	9670	Wire Jumper, 0.58MM.	3198 036 90010
9193	Wire Jumper, 0.58MM.	3198 036 90010	9672	Coil, 27u.	2422 535 95366
9406	Wire Jumper, 0.58MM.	3198 036 90010	9674	Wire Jumper, 0.58MM.	3198 036 90010
9407	Wire Jumper, 0.58MM.	3198 036 90010	9675	Wire Jumper, 0.58MM.	3198 036 90010
9408	Wire Jumper, 0.58MM.	3198 036 90010	9676	Wire Jumper, 0.58MM.	3198 036 90010
9409	Wire Jumper, 0.58MM.	3198 036 90010	9678	Coil, 27u.	2422 535 95366
9410	Wire Jumper, 0.58MM.	3198 036 90010	9679	Wire Jumper, 0.58MM.	3198 036 90010
9411	Wire Jumper, 0.58MM.	3198 036 90010	9680	Wire Jumper, 0.58MM.	3198 036 90010
9412	Wire Jumper, 0.58MM.	3198 036 90010	9683	Wire Jumper, 0.58MM.	3198 036 90010
9413	Wire Jumper, 0.58MM.	3198 036 90010	9685	Wire Jumper, 0.58MM.	3198 036 90010
9415	Wire Jumper, 0.58MM.	3198 036 90010	9686	Wire Jumper, 0.58MM.	3198 036 90010
9416	Wire Jumper, 0.58MM.	3198 036 90010	9687	Wire Jumper, 0.58MM.	3198 036 90010
9417	Wire Jumper, 0.58MM.	3198 036 90010	9688	Wire Jumper, 0.58MM.	3198 036 90010
9418	Wire Jumper, 0.58MM.	3198 036 90010	9689	Wire Jumper, 0.58MM.	3198 036 90010
9419	Wire Jumper, 0.58MM.	3198 036 90010	9690	Wire Jumper, 0.58MM.	3198 036 90010
9421	Wire Jumper, 0.58MM.	3198 036 90010	9691	Wire Jumper, 0.58MM.	3198 036 90010
9422	Wire Jumper, 0.58MM.	3198 036 90010	9694	Wire Jumper, 0.58MM.	3198 036 90010
9423	Wire Jumper, 0.58MM.	3198 036 90010	9695	Wire Jumper, 0.58MM.	3198 036 90010
9425	Wire Jumper, 0.58MM.	3198 036 90010	9697	Wire Jumper, 0.58MM.	3198 036 90010
9427	Wire Jumper, 0.58MM.	3198 036 90010	9698	Wire Jumper, 0.58MM.	3198 036 90010
9453	Wire Jumper, 0.58MM.	3198 036 90010	9699	Wire Jumper, 0.58MM.	3198 036 90010
9460	Wire Jumper, 0.58MM.	3198 036 90010	9821	Wire Jumper, 0.58MM.	3198 036 90010

S = Safety Part. Be sure to use exact replacement part.

29LL600131 (continued)

9822	Wire Jumper, 0.58MM.	3198	036	90010	0232	1 Pin Headphone Socket	2422	026	04747
9823	Wire Jumper, 0.58MM.	3198	036	90010	0250	3 Pin Cinch Socket	2422	026	04815
9824	Wire Jumper, 0.58MM.	3198	036	90010	0251	3 Pin Connector.	2412	020	00725
9825	Wire Jumper, 0.58MM.	3198	036	90010	0253	6 Pin Connector.	2422	025	16382
9827	Wire Jumper, 0.58MM.	3198	036	90010	0254	5 Pin Connector.	2422	025	12481
9828	Wire Jumper, 0.58MM.	3198	036	90010	0255	4 Pin Connector.	2422	025	12479
9829	Wire Jumper, 0.58MM.	3198	036	90010	2171	Cap, 470p, 10%, 50v, Ceramic	3198	019	14710
9830	Wire Jumper, 0.58MM.	3198	036	90010	2172	Cap, 470p, 10%, 50v, Ceramic	3198	019	14710
9831	Wire Jumper, 0.58MM.	3198	036	90010	2173	Cap, 470p, 10%, 50v, Ceramic	3198	019	14710
9832	Wire Jumper, 0.58MM.	3198	036	90010	2174	Cap, 470p, 10%, 50v, Ceramic	3198	019	14710
9833	Wire Jumper, 0.58MM.	3198	036	90010	2176	Cap, 470p, 10%, 50v, Ceramic	3198	019	14710
9834	Wire Jumper, 0.58MM.	3198	036	90010	2177	Cap, 10u, 20%, 50v, Electrolytic	3198	025	51090
9835	Wire Jumper, 0.58MM.	3198	036	90010	2178	Cap, 470p, 10%, 50v, Ceramic	3198	019	14710
9836	Wire Jumper, 0.58MM.	3198	036	90010	2179	Cap, 10u, 20%, 50v, Electrolytic	3198	025	51090
9837	Wire Jumper, 0.58MM.	3198	036	90010	3150	Res, 47K, 5%, 1/6W, Carbon Film.	3198	011	04730
9838	Wire Jumper, 0.58MM.	3198	036	90010	3151	Res, 150 ohm, 5%, 1/6W, Carbon Film.	3198	011	01510
9839	Wire Jumper, 0.58MM.	3198	036	90010	3152	Res, 47K, 5%, 1/6W, Carbon Film.	3198	011	04730
9840	Wire Jumper, 0.58MM.	3198	036	90010	3153	Res, 150 ohm, 5%, 1/6W, Carbon Film.	3198	011	01510
9841	Wire Jumper, 0.58MM.	3198	036	90010	3156	Res, 120 ohm, 5%, 1/6W, Carbon Film.	3198	011	01210
9842	Wire Jumper, 0.58MM.	3198	036	90010	3157	Res, 120 ohm, 5%, 1/6W, Carbon Film.	3198	011	01210
9843	Wire Jumper, 0.58MM.	3198	036	90010	6161	Zener Diode, 6.8 volt.	3198	010	26880
9844	Wire Jumper, 0.58MM.	3198	036	90010	9155	Jumper	3198	036	90010
9845	Wire Jumper, 0.58MM.	3198	036	90010					
9846	Wire Jumper, 0.58MM.	3198	036	90010					
9847	Wire Jumper, 0.58MM.	3198	036	90010					
9849	Wire Jumper, 0.58MM.	3198	036	90010					
9851	Wire Jumper, 0.58MM.	3198	036	90010					
9901	Wire Jumper, 0.58MM.	3198	036	90010					
9902	Wire Jumper, 0.58MM.	3198	036	90010					
9903	Wire Jumper, 0.58MM.	3198	036	90010					
9904	Wire Jumper, 0.58MM.	3198	036	90010					
9905	Wire Jumper, 0.58MM.	3198	036	90010					
9911	Wire Jumper, 0.58MM.	3198	036	90010					
9912	Wire Jumper, 0.58MM.	3198	036	90010					
9913	Wire Jumper, 0.58MM.	3198	036	90010					
9914	Wire Jumper, 0.58MM.	3198	036	90010					
9915	Wire Jumper, 0.58MM.	3198	036	90010					
9916	Wire Jumper, 0.58MM.	3198	036	90010					
9918	Wire Jumper, 0.58MM.	3198	036	90010					
9919	Wire Jumper, 0.58MM.	3198	036	90010					
9920	Wire Jumper, 0.58MM.	3198	036	90010					
9921	Wire Jumper, 0.58MM.	3198	036	90010					
9991	Wire Jumper, 0.58MM.	3198	036	90010					
9994	Wire Jumper, 0.58MM.	3198	036	90010					
9996	Wire Jumper, 0.58MM.	3198	036	90010					
9998	Wire Jumper, 0.58MM.	3198	036	90010					
CBA	Main Chassis Assembly.	3139	177	27971					

CRT Panel Parts (Part of Main Chassis)

CRT Panel Parts (Part of Main Chassis)									
S 0244	Connector, 5 Pin	2422	025	04853					
S 0245	Connector, 6 Pin	2422	025	04854					
S 0254	Socket, CRT, 9 Pin, N-Neck	2422	500	80076					
2330	Cap, 100n, 10%, 250v, Metalized Polyp ropylene	2222	368	90177					
2340	Cap, 10u, 20%, 250v, Electrolytic.	2020	012	93495					
2341	Cap, 3n3, 10%, 500v, Ceramic	3198	019	43320					
2342	Cap, 560p, 5%, 50v, Ceramic.	3198	016	05610					
2343	Cap, 3n3, 10%, 2000v, Ceramic.	2020	558	90529					
2344	Cap, 100n, ?20%, 25v, Ceramic.	3198	023	21040					
2345	Cap, 1n, 10%, 500v, Ceramic.	3198	019	41020					
3331	Res, 100 ohm, 5%, 1/6W, Carbon Film.	3198	011	01010					
3332	Res, 1K, 20%, 1/2W, Carbon Film.	3198	013	01020					
3333	Res, 100 ohm, 5%, 1/6W, Carbon Film.	3198	011	01010					
3334	Res, 1K, 20%, 1/2W, Carbon Film.	3198	013	01020					
3335	Res, 100 ohm, 5%, 1/6W, Carbon Film.	3198	011	01010					
3336	Res, 1K, 20%, 1/2W, Carbon Film.	3198	013	01020					
S 3340	Res, 10 ohm, 5%, 1/2W, Metal Film.	2306	207	03109					
S 3341	Res, 1 ohm, 5%, 1/3W, Metal Film.	2306	204	03108					
S 3342	Res, 1 ohm, 5%, 1/3W, Metal Film.	2306	204	03108					
3343	Res, 1K5, 20%, 1/2W, Carbon Film.	3198	013	01520					
3344	Res, 22 ohm, 5%, 1/6W, Carbon Film.	3198	011	02290					
S 3345	VDR, DC, 1mA, 50V, MAX, 115V	2322	593	13507					
3346	Res, 22 ohm, 5%, 1/6W, Carbon Film.	3198	011	02290					
3347	Res, Zero ohm, "Chip" Jumper	3198	021	90020					
3350	Res, Zero ohm, "Chip" Jumper	3198	021	90020					
3353	Res, Zero ohm, "Chip" Jumper	3198	021	90020					
5342	Coil, 22u.	2422	535	97333					
6331	Diode, Signal, BAV21	3198	010	10070					
6332	Diode, Signal, BAS316.	3198	010	10630					
6333	Diode, Signal, BAV21	3198	010	10070					
6335	Diode, Signal, BAV21	3198	010	10070					
7330	IC, TDA6107Q/N2.	9352	576	50112					
9311	Wire Jumper, 0.58MM.	3198	036	90010					
9341	Wire Jumper, 0.58MM.	3198	036	90010					
9342	Wire Jumper, 0.58MM.	3198	036	90010					
9343	Wire Jumper, 0.58MM.	3198	036	90010					

Side AV Panel & Headphone Parts - 313913729181

Side AV Panel & Headphone Parts - 313									
913729181									
CBA	Side AV Panel & Headphone Assembly	3139	137	29181					

S = Safety Part Be sure to use exact replacement part.

29LW602231 - Manual no. 7629

Cabinet & Accessory Parts

Cabinet & Accessory Parts			
S	AC01	AC Cord	3135 010 04731
	AC03	Battery, 1.5V, 2-PACK	9299 000 65263
	AC04	Cabinet Back Assembly	3121 237 52451
	AC09	Clip, Anode Lead	3135 014 04471
S	AC10	CRT, A68AJB82X11	9301 891 90631
	AC11	Customer Control Buttons	3139 137 83131
S	AC12	Degaussing Coil	2422 549 43967
	AC13	Holder, Degaussing Coil (4 Used)	3135 013 01641
	AC16	Owner's Manual	3121 235 20222
REMOTE		Remote Transmitter, RC19036001/01	3139 228 86491
AC20		Cabinet Front Assembly f/29LW602231	3121 237 51791
AC20a		Cabinet Front	3139 137 83171
AC20b		Chassis Guide	3139 124 31381
AC20d		Light Guide	3139 124 35111
AC20f		Power Button	3139 137 83141
AC20j		Speaker, Full Range, 16ohm, 5W (2 Used)	2422 264 00411
S	AC21	Deflection Yoke	3313 203 01242

Main Chassis Assembly Parts

Main Chassis Assembly Parts			
	0127	Socket Fuse	2422 088 00271
S	0211	Connector, 2 Pin	2422 025 16269
S	0212	Connector, 2 Pin	2422 025 16375
	0219	Connector, 6 Pin	2422 025 12482
	0220	Connector, 5 Pin	2422 025 04853
S	0221	Connector, 4 Pin	2422 025 15503
S	0222	Connector, 2 Pin	2422 025 10646
	0223	Socket, Cinch, 9 Pin	2422 026 05236
	0225	Socket, MDIN, 10 Pin	2422 026 04926
	0243	Connector, 6 Pin	2422 025 04854
	0246	Connector, 5 Pin	2422 025 12481
	0267	Connector, 3 Pin	2412 020 00725
	0269	Socket, Cinch, 3 Pin	2422 026 05182
	1000	Tuner, V+U PLL	2422 542 90108
	1002	SAW Filter, 45MHZ75, OFWMM1971M L	2422 549 44518
	1200	Filter, Ceramic, 4MHz5	2422 549 40807
S	1500	Fuse, 4A, 250V, IEC	2422 086 10914
S	1515	Relay, 1P, 12V	2422 132 07444
	1600	Tact Switch	2422 128 02742
	1601	Tact Switch	2422 128 02742
	1602	Tact Switch	2422 128 02742
	1603	Tact Switch	2422 128 02742
	1606	Tact Switch	2422 128 02742
	1660	Crystal Resonator, 12 MHz, 20P, HC49/U A	2422 543 01203
	1831	Crystal Resonator, 18MHZ432 12P HC49/U A	2422 543 00842
	2004	Cap, 47n, 10%, 16v, Ceramic	3198 017 34730
	2005	Cap, 10u, 20%, 50v, Electrolytic	3198 025 51090
	2006	Cap, 470u, 20%, 16v, Electrolytic	3198 025 24710
	2007	Cap, 100n, +80/-20%, 25v, Ceramic	3198 023 41040
	2008	Cap, 100u, 20%, 25v, Electrolytic	3198 025 31010
	2009	Cap, 22n, 10%, 25v, Ceramic	3198 017 32230
	2101	Cap, 470n, +80/-20%, 16v, Ceramic	3198 017 24740
	2102	Cap, 22p, 5%, 50v, Ceramic	3198 016 02290
	2103	Cap, 330p, 5%, 50v, Ceramic	3198 016 33310
	2104	Cap, 330p, 5%, 50v, Ceramic	3198 016 33310
	2105	Cap, 10u, 20%, 50v, Electrolytic	3198 025 51090
	2106	Cap, 10u, 20%, 50v, Electrolytic	3198 025 51090
	2111	Cap, 22p, 5%, 50v, Ceramic	3198 016 02290
	2112	Cap, 22p, 5%, 50v, Ceramic	3198 016 02290
	2113	Cap, 22p, 5%, 50v, Ceramic	3198 016 02290
	2121	Cap, 22p, 5%, 50v, Ceramic	3198 016 02290
	2122	Cap, 330p, 5%, 50v, Ceramic	3198 016 33310
	2123	Cap, 2u2, +80/-20%, 10v, Ceramic	3198 017 22250
	2124	Cap, 330p, 5%, 50v, Ceramic	3198 016 33310
	2125	Cap, 2u2, +80/-20%, 10v, Ceramic	3198 017 22250
	2131	Cap, 330p, 5%, 50v, Ceramic	3198 016 33310
	2132	Cap, 2u2, +80/-20%, 10v, Ceramic	3198 017 22250
	2133	Cap, 330p, 5%, 50v, Ceramic	3198 016 33310
	2134	Cap, 2u2, +80/-20%, 10v, Ceramic	3198 017 22250
	2135	Cap, 22p, 5%, 50v, Ceramic	3198 016 02290
	2136	Cap, 22p, 5%, 50v, Ceramic	3198 016 02290
	2141	Cap, 330p, 5%, 50v, Ceramic	3198 016 33310
	2143	Cap, 100n, +80/-20%, 25v, Ceramic	3198 023 41040
	2150	Cap, 150n, 10%, 16v, Ceramic	2238 780 15652
	2181	Cap, 22p, 5%, 50v, Ceramic	3198 016 02290
	2184	Cap, 2u2, +80/-20%, 10v, Ceramic	3198 017 22250
	2201	Cap, 100n, +80/-20%, 25v, Ceramic	3198 023 21040
	2202	Cap, 100n, +80/-20%, 25v, Ceramic	3198 023 21040
	2203	Cap, 100n, +80/-20%, 25v, Ceramic	3198 023 41040
	2204	Cap, 100n, +80/-20%, 25v, Ceramic	3198 023 41040
	2205	Cap, 220n, +80/-20%, 25v, Ceramic	3198 023 22240
	2208	Cap, 100n, +80/-20%, 25v, Ceramic	3198 023 41040
	2209	Cap, 4u7, 20%, 50v, Electrolytic	3198 025 54780
	2210	Cap, 1u, +80/-20%, 16v, Ceramic	3198 017 21050
	2211	Cap, 470n, +80/-20%, 16v, Ceramic	3198 017 24740
	2213	Cap, 22n, 10%, 50v, Ceramic	3198 017 02230
	2214	Cap, 22n, 10%, 50v, Ceramic	3198 017 02230

	2215	Cap, 22n, 10%, 50v, Ceramic	3198 017 02230
	2216	Cap, 1000u, 20%, 16v, Electrolytic	3198 026 21020
	2217	Cap, 22n, 10%, 25v, Ceramic	3198 017 32230
	2219	Cap, 220n, +80/-20%, 25v, Ceramic	3198 023 22240
	2220	Cap, 470n, 10%, 50v, Polyester	3198 014 04740
	2221	Cap, 22n, 10%, 50v, Ceramic	3198 017 02230
	2241	Cap, 1n5, 10%, 50v, Ceramic	3198 017 31520
	2242	Cap, 1u, +80/-20%, 10v, Ceramic	3198 017 41050
	2243	Cap, 2n2, 10%, 50v, Ceramic	3198 017 02220
	2244	Cap, 100n, 5%, 63v, Metallized Polyester	2222 370 76104
	2245	Cap, 220n, +80/-20%, 16v, Ceramic	3198 023 22240
	2247	Cap, 1000u, 20%, 16v, Electrolytic	3198 026 21020
	2248	Cap, 22n, 10%, 50v, Ceramic	3198 017 02230
	2249	Cap, 22n, 10%, 25v, Ceramic	3198 017 32230
	2250	Cap, 2u2, 20%, 50v, Electrolytic	3198 025 52280
	2252	Cap, 1n, 5%, 25v, Ceramic	3198 016 31020
	2253	Cap, 1n, 5%, 25v, Ceramic	3198 016 31020
	2254	Res, Zero ohm, Chip Jumper	3198 021 90020
	2405	Cap, 220u, 20%, 25v, Electrolytic	3198 025 32210
	2441	Cap, 1u, 20%, 50v, Electrolytic	3198 025 51080
	2443	Cap, 47n, +80/-20%, 50v, Ceramic	3198 017 24730
	2444	Cap, 1u, 20%, 50v, Electrolytic	3198 025 51080
	2450	Cap, 47u, 20%, 160v, Electrolytic	2020 021 91139
	2451	Cap, 15n, 10%, 50v, Polyester	3198 014 01530
	2452	Cap, 180p, 5%, 50v, Ceramic	3198 016 01810
	2455	Cap, 47u, 20%, 25v, Electrolytic	3198 025 34790
	2457	Cap, 470n, 5%, 250v, Polypropylene	2222 479 90023
	2458	Cap, 2u2, 20%, 100v, Electrolytic	2020 021 91331
	2459	Cap, 680p, 10%, 500v, Ceramic	3198 019 46810
	2460	Cap, 100p, 5%, 50v, Ceramic	3198 016 01010
	2462	Cap, 330n, 10%, 250v, Polypropylene	2022 333 00084
	2463	Cap, 680p, 10%, 2kV, Ceramic	2020 558 90485
	2463	Cap, 1.2nF, 10%, 2kV, Ceramic	2020 558 90488
	2465	Cap, 11n, 5%, 1600v, Polypropylene	2222 375 90155
	2471	Cap, 100n, 10%, 50v, Polyester	3198 014 01040
	2472	Cap, 150n, 10%, 63v, Metallized Polyester	2222 365 75154
	2473	Cap, 100n, 10%, 63v, Metallized Polyester	2222 365 75104
	2474	Cap, 2n2, 10%, 50v, Ceramic	3198 017 02220
	2475	Cap, 2n2, 10%, 50v, Ceramic	3198 017 02220
	2476	Cap, 4n7, 10%, 50v, Ceramic	3198 017 04720
	2480	Cap, 47u, 20%, 25v, Electrolytic	2020 021 90586
	2481	Cap, 470p, 10%, 500v, Ceramic	3198 019 44710
	2482	Cap, 68n, 10%, 250v, Polyester	2222 347 90234
	2485	Cap, 4u7, 20%, 250v, Electrolytic	2020 021 90856
	2486	Cap, 470u, 20%, 16v, Electrolytic	2020 021 91577
	2487	Cap, 47u, 20%, 50v, Electrolytic	2020 021 90854
	2488	Cap, 1000u, 20%, 16v, Electrolytic	2020 021 91049
	2489	Cap, 470u, 20%, 16v, Electrolytic	2020 021 91577
	2491	Cap, 1n, 10%, 500v, Ceramic	3198 019 41020
S	2500	Cap, 470n, 20%, 275v, Metallized Polypropylene	2222 336 29148
	2501	Cap, 2n2, 10%, 1000v, Ceramic	3198 019 52220
	2502	Cap, 2n2, 10%, 1000v, Ceramic	3198 019 52220
	2503	Cap, 470u, 20%, 200v, Electrolytic	2020 024 90626
	2505	Cap, 2n2, 10%, 1000v, Ceramic	3198 019 52220
	2507	Cap, 470p, 10%, 50v, Ceramic	3198 017 04710
	2508	Cap, 470p, 10%, 1000v, Ceramic	3198 019 64710
S	2515	Cap, 1n5, 20%, v, Ceramic	2020 554 90128
	2520	Cap, 100n, 10%, 16v, Ceramic	3198 017 01040
	2521	Cap, 22u, 20%, 50v, Electrolytic	3198 025 52290
	2522	Cap, 100n, 10%, 16v, Ceramic	3198 017 01040
	2523	Cap, 1n5, 10%, 2000v, Ceramic	2020 558 90489
	2525	Cap, 470p, 10%, 50v, Ceramic	3198 017 04710
	2527	Cap, 2n2, 10%, 50v, Ceramic	3198 017 02220
	2528	Cap, 1n, 10%, 50v, Ceramic	3198 017 01020
	2540	Cap, 10n, 10%, 50v, Ceramic	3198 017 01030
	2541	Cap, 10n, 10%, 50v, Ceramic	3198 017 01030
	2560	Cap, 680p, 10%, 1000v, Ceramic	2020 558 90472
	2561	Cap, 100u, 20%, 160v, Electrolytic	2020 021 91654
	2562	Cap, 1n, 10%, 50v, Ceramic	3198 019 11020
	2563	Cap, 100n, 10%, 50v, Polyester	3198 014 01040
	2564	Cap, 2u2, 20%, 25v, Electrolytic	2020 021 91353
	2566	Cap, 470u, 20%, 6.3v, Electrolytic	3198 025 04710
	2567	Cap, 47u, 20%, 25v, Electrolytic	3198 025 34790
	2568	Cap, 1u, 20%, 50v, Electrolytic	3198 025 51080
	2580	Cap, 47u, 20%, 16v, Electrolytic	3198 028 24790
	2581	Cap, 22u, 20%, 50v, Electrolytic	3198 025 52290
	2601	Cap, 220n, +80/-20%, 25v, Ceramic	3198 023 22240
	2602	Cap, 100p, 5%, 50v, Ceramic	3198 016 01010
	2606	Cap, 1n, 10%, 50v, Ceramic	3198 017 01020
	2607	Cap, 33p, 5%, 50v, Ceramic	3198 016 33390
	2608	Cap, 1u, +80/-20%, 10v, Ceramic	3198 017 41050
	2609	Cap, 33p, 5%, 50v, Ceramic	3198 016 33390
	2611	Cap, 1u, +80/-20%, 10v, Ceramic	3198 017 41050
	2612	Cap, 68p, 5%, 50v, Ceramic	3198 016 06890
	2613	Cap, 68p, 5%, 50v, Ceramic	3198 016 06890
	2615	Cap, 1n, 10%, 50v, Ceramic	3198 017 01020
	2618	Cap, 1u, +80/-20%, 10v, Ceramic	3198 017 41050
	2619	Cap, 1u, +80/-20%, 16v, Ceramic	3198 017 21050

S = Safety Part Be sure to use exact replacement part.

29LW602231 (continued)

2691	Cap, 10u, 20%, 50v, Electrolytic . . .	3198 025 51090	3209	Res, 68 ohm, 5%, 1/16W, Metallized Gl	
2801	Cap, 22u, 20%, 50v, Electrolytic . . .	3198 025 52290		ass.	3198 021 36890
2802	Cap, 220n, +80/-20%, 16v, Ceramic. . .	3198 017 42240	3212	Res, 470 ohm, 5%, 1/16W, Metallized G	
2804	Cap, 2u2, +80/-20%, 10v, Ceramic . . .	3198 017 22250		lass	3198 021 34710
2805	Res, Zero ohm, Chip Jumper	3198 021 90020	3213	Res, 560 ohm, 5%, 1/6W, Carbon Film.	3198 011 05610
2806	Res, Zero ohm, Chip Jumper	3198 021 90020	3217	Res, 330K, 5%, 1/16W, Metallized Glass	3198 021 33340
2831	Cap, 1p, 25%, 50v, Ceramic	3198 016 31080	3218	Res, 82K, 5%, 1/16W, Metallized Glass	3198 021 38230
2832	Cap, 1p, 25%, 50v, Ceramic	3198 016 31080	3219	Res, 2K2, 5%, 1/16W, Metallized Glass	3198 021 32220
2833	Cap, 47p, 5%, 50v, Ceramic	3198 016 34790	3220	Res, 100 ohm, 5%, 1/6W, Carbon Film.	3198 011 01010
2834	Cap, 470p, 5%, 50v, Ceramic.	3198 016 34710	3221	Res, 560 ohm, 5%, 1/6W, Carbon Film.	3198 011 05610
2835	Cap, 220p, 5%, 50v, Ceramic.	3198 016 32210	3222	Res, 100 ohm, 5%, 1/6W, Carbon Film.	3198 011 01010
2836	Cap, 1n5, 10%, 50v, Ceramic.	3198 017 31520	3226	Res, 560 ohm, 5%, 1/16W, Metallized G	
2837	Cap, 4u7, 20%, 50v, Electrolytic . . .	3198 025 54780		lass	3198 021 35610
2840	Cap, 100n, +80/-20%, 25v, Ceramic. . .	3198 023 41040	3235	Res, 100 ohm, 5%, 1/6W, Carbon Film.	3198 011 01010
2841	Cap, 10u, 20%, 50v, Electrolytic . . .	3198 025 51090	3241	Res, 22K, 5%, 1/16W, Metallized Glass	3198 021 32230
2842	Cap, 100n, +80/-20%, 25v, Ceramic. . .	3198 023 41040	3242	Res, 12K, 5%, 1/10W, Metallized Glass	3198 021 51230
2843	Cap, 10u, 20%, 50v, Electrolytic . . .	3198 025 51090	3244	Res, 820 ohm, 5%, 1/6W, Carbon Film.	3198 011 08210
2844	Cap, 10u, 20%, 50v, Electrolytic . . .	3198 025 51090	3245	Res, 39K, 1%, 1/10W, Metallized Glass	2120 108 92633
2845	Cap, 100n, +80/-20%, 25v, Ceramic. . .	3198 023 41040	3246	Res, 10k, 5%, Carbon	3198 021 51030
2846	Cap, 100u, 20%, 25v, Electrolytic. . .	3198 025 31010	3247	Res, 680K, 5%, 1/10W, Metallized Glas	3198 021 56840
2849	Cap, 1n, 5%, 25v, Ceramic.	3198 016 31020	3248	Res, 33K, 5%, 1/10W, Metallized Glass	3198 021 53330
2850	Cap, 1n, 5%, 25v, Ceramic.	3198 016 31020	3249	Res, 820 ohm, 5%, 1/6W, Carbon Film.	3198 011 08210
2851	Res, Zero ohm, Chip Jumper	3198 021 90020	3250	Res, 8K2, 5%, 1/6W, Carbon Film. . .	3198 011 08220
2852	Cap, 1n, 5%, 25v, Ceramic.	3198 016 31020	3251	Res, 100 ohm, 5%, 1/6W, Carbon Film.	3198 011 01010
2853	Res, Zero ohm, Chip Jumper	3198 021 90020	3256	Res, 1k, 5%, Carbon.	3198 021 51020
2854	Cap, 1n, 5%, 25v, Ceramic.	3198 016 31020	3257	Res, 10M, 5%, 1/10W, Metallized Glass	3198 021 51060
2855	Cap, 33p, 5%, 50v, Ceramic	3198 016 33390	3258	Res, 100K, 5%, 1/10W, Metallized Glas	3198 021 51040
2856	Cap, 47p, 5%, 50v, Ceramic	3198 016 34790	3259	Res, 470K, 5%, 1/10W, Metallized Glas	3198 021 54740
2857	Cap, 150p, 5%, 50v, Ceramic.	3198 016 31510	3441	Res, 100 ohm, 5%, 1/10W, Metallized G	
2860	Cap, 180p, 5%, 50v, Ceramic.	3198 016 31810		lass	3198 021 51010
2894	Cap, 220p, 5%, 50v, Ceramic.	3198 016 32210	3442	Res, Zero ohm, Chip Jumper	3198 021 90020
2895	Cap, 560p, 5%, 25v, Ceramic.	3198 016 35610	3443	Res, 1M, 5%, 1/10W, Metallized Glass	3198 021 51050
2897	Cap, 390p, 5%, 50v, Ceramic.	3198 016 33910	3445	Res, 15K, 5%, 1/6W, Carbon Film. . .	3198 011 01530
2898	Cap, 10n, 10%, 50v, Ceramic.	3198 017 31030	3446	Res, 5K6, 5%, 1/6W, Carbon Film. . .	3198 011 05620
2902	Cap, 1000u, 20%, 16v, Electrolytic . .	3198 026 21020	3447	Res, 180 ohm, 5%, 1/6W, Carbon Film.	3198 011 01810
2903	Cap, 1u, 20%, 50v, Electrolytic. . . .	3198 025 51080	3448	Res, 820 ohm, 5%, 1/6W, Carbon Film.	3198 011 08210
2904	Cap, 470n, +80/-20%, 16v, Ceramic. . .	3198 017 24740	3449	Res, 68 ohm, 5%, 1/6W, Carbon Film .	3198 011 06890
2905	Cap, 1n, 10%, 50v, Ceramic	3198 017 01020	3450	Res, 33 ohm, 5%, 1/6W, Carbon Film .	3198 011 03390
2906	Cap, 470n, +80/-20%, 16v, Ceramic. . .	3198 017 24740	S 3451	Res, 10 ohm, 5%, 1/3W, Metal Film. . .	2306 204 03109
2907	Cap, 1n, 10%, 50v, Ceramic	3198 017 01020	3452	Res, 10K, 1%, 3/5W, Metal Film . . .	2312 915 11003
2908	Cap, 10u, 20%, 50v, Electrolytic . . .	3198 025 51090	3453	Res, 1K, 5%, 1/6W, Carbon Film . . .	3198 011 01020
2910	Cap, 3n3, 10%, 50v, Ceramic.	3198 017 03320	3454	Res, 3K9, 1%, 3/5W, Metal Film . . .	2312 915 13902
2911	Cap, 3n3, 10%, 50v, Ceramic.	3198 017 03320	3455	Res, 6R8, 5%, 1 1/3W, Metal Film . . .	3198 012 26880
2950	Cap, 330p, 5%, 50v, Ceramic.	3198 016 33310	3456	Res, Zero ohm, Chip Jumper	3198 021 90020
3000	Res, 100 ohm, 5%, 1/6W, Carbon Film.	3198 011 01010	3457	Res, Zero ohm, Chip Jumper	3198 021 90020
3001	Res, 100 ohm, 5%, 1/6W, Carbon Film.	3198 011 01010	3458	Res, 1K, 5%, 1/6W, Carbon Film . . .	3198 011 01020
3002	Res, Zero ohm, Chip Jumper	3198 021 90020	3459	Res, 15K, 5%, 1 1/3W, Metal Film . . .	3198 012 21530
3003	Res, 1K5, 5%, 1/16W, Metallized Glass	3198 021 31520	3460	Res, 3K9, 5%, 1/6W, Carbon Film. . .	3198 011 03920
3004	Res, 8K2, 5%, 1/16W, Metallized Glass	3198 021 38220	3463	Res, 33 ohm, 5%, 1/6W, Carbon Film .	3198 011 03390
3005	Res, 100 ohm, 5%, 1/6W, Carbon Film.	3198 011 01010	3465	Res, 27K, 1%, 3/5W, Metal Film . . .	2312 915 12703
3101	Res, 68 ohm, 5%, 1/6W, Carbon Film .	3198 011 06890	3468	Res, 220 ohm, 5%, 1/6W, Carbon Film.	3198 011 02210
3102	Res, 1K, 5%, 1/16W, Metallized Glass	3198 021 31020	3469	Res, 3K3, 5%, 1/6W, Carbon Film. . .	3198 011 03320
3103	Res, 150 ohm, 5%, 1/6W, Carbon Film.	3198 011 01510	3470	Res, 330K, 5%, 1/10W, Metallized Glas	3198 021 53340
3104	Res, 220K, 5%, 1/16W, Metallized Glas	3198 021 32240	3471	Res, 3R3, 1%, 3/5W, Metal Film . . .	2312 915 13308
3105	Res, 150 ohm, 5%, 1/6W, Carbon Film.	3198 011 01510	3472	Res, 3R3, 1%, 3/5W, Metal Film . . .	2312 915 13308
3106	Res, 220K, 5%, 1/16W, Metallized Glas	3198 021 32240	3473	Res, 3R3, 1%, 3/5W, Metal Film . . .	2312 915 13308
3111	Res, 75 ohm, 5%, 1/6W, Carbon Film .	3198 011 07590	3474	Res, 2K2, 1%, 3/5W, Metal Film . . .	2312 915 12202
3112	Res, 100 ohm, 5%, 1/6W, Carbon Film.	3198 011 01010	3475	Res, 2K2, 1%, 3/5W, Metal Film . . .	2312 915 12202
3113	Res, 75 ohm, 5%, 1/6W, Carbon Film .	3198 011 07590	3477	Res, 150 ohm, 5%, 1/6W, Carbon Film.	3198 011 01510
3114	Res, 100 ohm, 5%, 1/6W, Carbon Film.	3198 011 01010	3478	Res, 150 ohm, 5%, 1/6W, Carbon Film.	3198 011 01510
3115	Res, 75 ohm, 5%, 1/6W, Carbon Film .	3198 011 07590	3479	Res, 2K7, 5%, 1/10W, Metallized Glass	3198 021 52720
3116	Res, 100 ohm, 5%, 1/6W, Carbon Film.	3198 011 01010	3480	Res, 1R5, 5%, 1/4W, Carbon Film. . .	2120 101 74158
3122	Wire Jumper, 0.58MM.	3198 036 90010	3481	Res, 12k, 1%, Metal Film	2312 915 11203
3123	Res, 150 ohm, 5%, 1/6W, Carbon Film.	3198 011 01510	3482	Res, 12k, 1%, Metal Film	2312 915 11203
3124	Res, 47K, 5%, 1/16W, Metallized Glass	3198 021 34730	3484	Res, 3K9, 5%, 1/6W, Carbon Film. . .	3198 011 03920
3125	Res, 150 ohm, 5%, 1/6W, Carbon Film.	3198 011 01510	3486	Res, 33 ohm, 5%, 2 1/2W, Metal Film.	3198 012 33390
3126	Res, 47K, 5%, 1/16W, Metallized Glass	3198 021 34730	3488	Res, 4R7, 5%, 1/2W, Metal Film . . .	2306 207 03478
3131	Res, 150 ohm, 5%, 1/6W, Carbon Film.	3198 011 01510	3490	Res, 8K2, 5%, 1/6W, Carbon Film. . .	3198 011 08220
3132	Res, 47K, 5%, 1/16W, Metallized Glass	3198 021 34730	3492	Res, 1k, 5%, Carbon.	3198 021 51020
3133	Res, 150 ohm, 5%, 1/6W, Carbon Film.	3198 011 01510	3493	Res, 6R8, 5%, 1/3W, Metal Film . . .	2306 204 03688
3134	Res, 47K, 5%, 1/16W, Metallized Glass	3198 021 34730	3494	Res, 4R7, 5%, 1/2W, Metal Film . . .	2306 207 03478
3135	Res, 75 ohm, 5%, 1/6W, Carbon Film .	3198 011 07590	3495	Res, 22k, 5%, Carbon	3198 021 52230
3136	Res, 100 ohm, 5%, 1/6W, Carbon Film.	3198 011 01010	3496	Res, 100K, 5%, 1/10W, Metallized Glas	3198 021 51040
3138	Wire Jumper, 0.58MM.	3198 036 90010	3497	Res, 100K, 5%, 1/10W, Metallized Glas	3198 021 51040
3141	Res, 1K, 5%, 1/6W, Carbon Film . . .	3198 011 01020	3498	Res, 12K, 5%, 1/10W, Metallized Glass	3198 021 51230
3149	Res, 100K, 5%, 1/16W, Metallized Glas	3198 021 31040	3499	Res, 10k, 5%, Carbon	3198 021 51030
3150	Res, 150K, 5%, 1/16W, Metallized Glas	3198 021 31540	S 3500	Res, 3M3, 5%, 1/2W, Metallized Glass	2322 242 13335
3154	Res, 5K6, 5%, 1/6W, Carbon Film. . .	3198 011 05620	S 3501	Res, 3M3, 5%, 1/2W, Metallized Glass	2322 242 13335
3156	Res, 10K, 5%, 1/6W, Carbon Film. . .	3198 011 01030	3504	Res, 3 ohm, +30%/-20%, 144v, PTC, Car	
3157	Res, 1K5, 5%, 1/16W, Metallized Glass	3198 021 31520		bon Film	2122 663 00019
3158	Res, 10K, 5%, 1/16W, Metallized Glass	3198 021 31030	S 3506	Res, 1M5, 5%, 1/2W, Metallized Glass	2322 242 13155
3159	Res, 1K2, 1%, 1/10W, Metallized Glass	2120 108 92616	S 3507	Surge Protector, DSP-301N-A21F A. .	2422 549 43073
3200	Res, 390 ohm, 5%, 1/6W, Carbon Film.	3198 011 03910	S 3508	Res, 220 ohm, 20%, 1/2W, Carbon Film	3198 013 02210
3201	Res, 100 ohm, 5%, 1/6W, Carbon Film.	3198 011 01010	3510	Res, 4.7 ohm, 20%, 3W1, NTC, Carbon F	
3202	Res, 100 ohm, 5%, 1/6W, Carbon Film.	3198 011 01010		ilm.	2122 612 00056
3203	Res, 100 ohm, 5%, 1/6W, Carbon Film.	3198 011 01010	3519	Res, 270 ohm, 5%, 1/6W, Carbon Film.	3198 011 02710
3204	Res, 22K, 5%, 1/6W, Carbon Film. . .	3198 011 02230	3520	Res, 1K2, 5%, 1/10W, Metallized Glass	3198 021 51220
3205	Res, 1k, 5%, Carbon.	3198 021 51020	3521	Res, 4R7, 5%, 1/6W, Carbon Film. . .	3198 011 04780
3206	Res, 33K, 5%, 1/16W, Metallized Glass	3198 021 33330	3522	Res, 330K, 5%, 1/10W, Metallized Glas	3198 021 53340
3207	Res, 1K, 5%, 1/6W, Carbon Film . . .	3198 011 01020	S 3523	Res, 100 ohm, 5%, 1/3W, Metal Film .	2306 204 03101
3208	Res, 220 ohm, 5%, 1/16W, Metallized G		3524	Res, 56K, 5%, 1/10W, Metallized Glass	3198 021 55630
	lass	3198 021 32210	3525	Res, 1k, 5%, Carbon.	3198 021 51020

S = Safety Part Be sure to use exact replacement part.

29LW602231 (continued)

3526	Res, 0R1, 5%, 3/5W, Metal Film . . .	3198 012 11070	3904	Res, 10K, 5%, 1/16W, Metallized Glass	3198 021 31030
3527	Res, 0R33, 5%, 3/5W, Metal Film . . .	3198 012 13370	3905	Res, 3K3, 5%, 1/16W, Metallized Glass	3198 021 33320
3528	Res, Zero ohm, Chip Jumper	3198 021 90020	3906	Res, 10K, 5%, 1/16W, Metallized Glass	3198 021 31030
3529	Res, 47K, 5%, 1/10W, Metallized Glass	3198 021 54730	3907	Res, 8K2, 5%, 1/16W, Metallized Glass	3198 021 38220
3530	Res, 10k, 5%, Carbon	3198 021 51030	4001	Res, Zero ohm, Chip Jumper	3198 021 90020
3531	Res, 4K7, 5%, 1/10W, Metallized Glass	3198 021 54720	4002	Res, Zero ohm, Chip Jumper	3198 021 90020
S 3532	Res, 2K2, 5%, 1/3W, Metal Film	2306 204 03222	4181	Res, Zero ohm, Chip Jumper	3198 021 90020
3541	Res, 470 ohm, 5%, 1/10W, Metallized Glass	3198 021 54710	4209	Res, Zero ohm, Chip Jumper	3198 021 90020
3542	Res, 1K5, 5%, 1/10W, Metallized Glass	3198 021 51520	4216	Res, Zero ohm, Chip Jumper	3198 021 90020
3543	Res, 82K, 1%, 3/5W, Metal Film	2312 915 18203	4217	Res, Zero ohm, Chip Jumper	3198 021 90020
3544	Res, 4K7, 1%, 1/8W, Metallized Glass	2322 734 64702	4401	Res, Zero ohm, Chip Jumper	3198 021 90020
3545	Res, 270K, 5%, 1/8W, Metallized Glass	2322 730 61274	4402	Res, Zero ohm, Chip Jumper	3198 021 90020
3548	Res, 15K, 5%, 1/10W, Metallized Glass	3198 021 51530	4430	Res, Zero ohm, Chip Jumper	3198 021 90020
3552	Res, 4K7, 5%, 1/10W, Metallized Glass	3198 021 54720	4500	Res, Zero ohm, Chip Jumper	3198 021 90020
3557	Res, 1k, 5%, Carbon	3198 021 51020	4601	Res, Zero ohm, Chip Jumper	3198 021 90020
3560	Res, 47 ohm, 5%, 1/6W, Carbon Film . .	3198 011 04790	4613	Res, Zero ohm, Chip Jumper	3198 021 90020
3561	Res, 100 ohm, 5%, 1/6W, Carbon Film . .	3198 011 01010	4614	Res, Zero ohm, Chip Jumper	3198 021 90020
3562	Res, 12K, 5%, 1/10W, Metallized Glass	3198 021 51230	4615	Res, Zero ohm, Chip Jumper	3198 021 90020
3563	Res, 5K6, 5%, 1/10W, Metallized Glass	3198 021 55620	4617	Res, Zero ohm, Chip Jumper	3198 021 90020
3564	Res, 0R1, 5%, 1/3W, Metal Film	3198 012 21070	4619	Res, Zero ohm, Chip Jumper	3198 021 90020
3565	Res, 330 ohm, 5%, 1W, Metal Film	3198 012 13310	4622	Res, Zero ohm, Chip Jumper	3198 021 90020
3566	Res, 2K2, 5%, 1/10W, Metallized Glass	3198 021 52220	4623	Res, Zero ohm, Chip Jumper	3198 021 90020
3567	Res, 1K8, 5%, 1/16W, Metallized Glass	3198 021 31820	4691	Res, Zero ohm, Chip Jumper	3198 021 90020
3568	Res, 8K2, 5%, 1/10W, Metallized Glass	3198 021 58220	4692	Res, Zero ohm, Chip Jumper	3198 021 90020
3569	Res, 5K6, 5%, 1/10W, Metallized Glass	3198 021 55620	4693	Res, Zero ohm, Chip Jumper	3198 021 90020
3580	Res, 47K, 5%, 1/10W, Metallized Glass	3198 021 54730	4696	Res, Zero ohm, Chip Jumper	3198 021 90020
3594	Res, 330 ohm, 5%, 1/10W, Metallized Glass	3198 021 53310	4801	Res, Zero ohm, Chip Jumper	3198 021 90020
3595	Res, 220K, 5%, 1/10W, Metallized Glass	3198 021 52240	4831	Res, Zero ohm, Chip Jumper	3198 021 90020
3596	Res, 220K, 5%, 1/10W, Metallized Glass	3198 021 52240	4833	Res, Zero ohm, Chip Jumper	3198 021 90020
3601	Res, 8K2, 5%, 1/6W, Carbon Film	3198 011 08220	4835	Res, Zero ohm, Chip Jumper	3198 021 90020
3603	Res, 100 ohm, 5%, 1/6W, Carbon Film . .	3198 011 01010	4901	Res, Zero ohm, Chip Jumper	3198 021 90020
3604	Res, 100 ohm, 5%, 1/6W, Carbon Film . .	3198 011 01010	4903	Res, Zero ohm, Chip Jumper	3198 021 90020
3605	Res, 4K7, 5%, 1/16W, Metallized Glass	3198 021 34720	4982	Res, Zero ohm, Chip Jumper	3198 021 90020
3606	Res, 2K2, 5%, 1/6W, Carbon Film	3198 011 02220	5001	Coil, 27u	3198 018 22790
3607	Res, 2K2, 5%, 1/6W, Carbon Film	3198 011 02220	5002	Coil, 820n	3198 018 18270
3608	Res, 100 ohm, 5%, 1/6W, Carbon Film . .	3198 011 01010	5201	Coil, 6u8	3198 018 16880
3609	Res, 1K, 5%, 1/6W, Carbon Film	3198 011 01020	5202	Coil, 10u	3198 018 21090
3610	Res, 8K2, 5%, 1/6W, Carbon Film	3198 011 08220	5204	Fixed, Inductor, 100MHZ, 80 ohm	3198 018 90020
3611	Res, 100 ohm, 5%, 1/16W, Metallized Glass	3198 021 31010	5205	Fixed, Inductor, 100MHZ, 80 ohm	3198 018 90020
3618	Res, 6K8, 5%, 1/6W, Carbon Film	3198 011 06820	5206	Wire Jumper, 0.58MM	3198 036 90010
3622	Res, 100 ohm, 5%, 1/10W, Metallized Glass	3198 021 51010	5241	Coil, 10u	3198 018 21090
3623	Res, 4K7, 5%, 1/16W, Metallized Glass	3198 021 34720	5242	Coil, 10u	3198 018 21090
3624	Res, 100 ohm, 5%, 1/6W, Carbon Film . .	3198 011 01010	S 5445	Transformer, LOT, USLOT+U AT2078	3128 138 21401
3625	Res, 100 ohm, 5%, 1/6W, Carbon Film . .	3198 011 01010	5451	Coil, 33u	3198 018 73390
3626	Res, 4K7, 5%, 1/16W, Metallized Glass	3198 021 34720	5452	Fixed, Inductor, 100MHZ, 80 ohm	3198 018 90020
3627	Res, 4K7, 5%, 1/16W, Metallized Glass	3198 021 34720	5457	Coil, Linear Correction, 42u	2422 535 94865
3628	Res, 10K, 5%, 1/16W, Metallized Glass	3198 021 31030	5461	Transformer, Signal Driver, SC10015-0 . .	2422 531 02465
3630	Res, 2K2, 5%, 1/16W, Metallized Glass	3198 021 32220	5471	Coil, 3u3	3198 018 73380
3632	Res, Zero ohm, Chip Jumper	3198 021 90020	5472	Coil, 3u3	3198 018 23380
3634	Res, 100 ohm, 5%, 1/6W, Carbon Film . .	3198 011 01010	5480	Fixed Inductor, 39u, 10%, LAL04	2422 535 97336
3635	Res, 100 ohm, 5%, 1/6W, Carbon Film . .	3198 011 01010	S 5501	Filter, Mains, 5mH, 2A	2422 549 43432
3636	Res, 100 ohm, 5%, 1/10W, Metallized Glass	3198 021 51010	S 5520	Transformer, SMT Layer, SS39009-04 B . .	2422 531 02459
3638	Res, 75 ohm, 5%, 1/16W, Metallized Glass	3198 021 37590	5521	Fixed, Inductor, 100MHZ, 50R	3198 018 90010
3639	Res, Zero ohm, Chip Jumper	3198 021 90020	5560	Fixed, Inductor, 100MHZ, 50R	3198 018 90010
3681	Res, 390 ohm, 5%, 1/16W, Metallized Glass	3198 021 33910	5562	Coil, 27u	3198 018 22790
3682	Res, 3K3, 5%, 1/10W, Metallized Glass	3198 021 53320	5564	Fixed, Inductor, 100MHZ, 50R	3198 018 90010
3683	Res, 390 ohm, 5%, 1/16W, Metallized Glass	3198 021 33910	5602	Coil, 5u6	3198 018 15680
3684	Res, 560 ohm, 5%, 1/16W, Metallized Glass	3198 021 35610	5603	Coil, 5u6	3198 018 15680
3685	Res, 560 ohm, 5%, 1/16W, Metallized Glass	3198 021 35610	5604	Coil, 5u6	3198 018 15680
3686	Res, 1K5, 5%, 1/16W, Metallized Glass	3198 021 31520	5831	Coil, 6u8	3198 018 16880
3691	Res, 330 ohm, 5%, 1/16W, Metallized Glass	3198 021 33310	5832	Coil, 6u8	3198 018 16880
3693	Res, 220 ohm, 5%, 1/16W, Metallized Glass	3198 021 32210	5833	Coil, 6u8	3198 018 16880
3694	Res, 4K7, 5%, 1/16W, Metallized Glass	3198 021 34720	5835	Coil, 12u	3198 018 31290
3801	Res, 220 ohm, 5%, 1/6W, Carbon Film . .	3198 011 02210	6001	Zener Diode, 33 volt	3198 010 23390
3802	Res, 1K, 5%, 1/6W, Carbon Film	3198 011 01020	6006	Diode, Signal, 1N4148	3198 010 10010
3809	Res, 75 ohm, 5%, 1/16W, Metallized Glass	3198 021 37590	6007	Diode, Signal, 1N4148	3198 010 10010
3810	Res, 75 ohm, 5%, 1/16W, Metallized Glass	3198 021 37590	6150	Diode, Signal, BAS316	3198 010 10630
3831	Res, 47K, 5%, 1/16W, Metallized Glass	3198 021 34730	6201	Diode, Signal, BAS316	3198 010 10630
3832	Res, 100 ohm, 5%, 1/6W, Carbon Film . .	3198 011 01010	6202	Diode, Signal, BAS316	3198 010 10630
3833	Res, 100 ohm, 5%, 1/6W, Carbon Film . .	3198 011 01010	6206	Zener Diode, 6.8 volt	3198 020 56880
3836	Res, 1K, 5%, 1/16W, Metallized Glass	3198 021 31020	6445	Zener Diode, 10 volt	3198 020 51090
3837	Res, 100 ohm, 5%, 1/6W, Carbon Film . .	3198 011 01010	6447	Diode, Signal, 1N4148	3198 010 10010
3838	Res, 1K, 5%, 1/16W, Metallized Glass	3198 021 31020	6448	Zener Diode, 6.2 volt	9331 668 30133
3839	Res, 100 ohm, 5%, 1/6W, Carbon Film . .	3198 011 01010	6449	Diode, Signal, BAV99	3198 010 10620
3843	Res, 2K2, 5%, 1/16W, Metallized Glass	3198 021 32220	6453	Zener Diode, 6.8 volt	3198 020 56880
3901	Res, 1K, 5%, 1/16W, Metallized Glass	3198 021 31020	6460	Diode, Rect, BY228/24	9340 559 50112
3902	Res, 3K3, 5%, 1/16W, Metallized Glass	3198 021 33320	6461	Diode, Rect, RGP30J-L7004	9338 617 60682
3903	Res, 3K3, 5%, 1/16W, Metallized Glass	3198 021 33320	6462	Zener Diode, 9.1 volt	9331 177 80133
			6465	Diode, Signal, BAV21	3198 010 10070
			6466	Diode, Signal, BAV21	3198 010 10070
			6467	Diode, Signal, BAS316	3198 010 10630
			6468	Diode, Signal, BAS316	3198 010 10630
			6469	Diode, Rect, BYD33J	9337 234 20133
			6470	Diode, Signal, BAV99	3198 010 10620
			6476	Zener Diode, 15 volt	3198 010 21590
			6481	Zener Diode, 5.6 volt	3198 010 25680
			6482	Zener Diode, 9.1 volt	9331 177 80133
			6483	Zener Diode, 33 volt	3198 010 23390
			6485	Diode, Rect, BYD33J	9337 234 20133
			6486	Diode, Rect, EGP20DL-5100	9322 164 42682

S = Safety Part. Be sure to use exact replacement part.

29LW602231 (continued)

6487	Diode, Rect., BYD33D	9337	234	00133	9460	Wire Jumper, 0.58MM.	3198	036	90010
6488	Diode, Rect., EGP20DL-5100.	9322	164	42682	9500	Wire Jumper, 0.58MM.	3198	036	90010
6500	Diode, Bridge Rect., GBU4JL-7002.	9322	132	55667	9501	Wire Jumper, 0.58MM.	3198	036	90010
6520	Diode, Rect., BYD33D	9337	234	00133	9503	Wire Jumper, 0.58MM.	3198	036	90010
6523	Diode, Signal, 1N4148.	3198	010	10010	S 9506	Wire Jumper, 0.58MM.	3198	036	90010
6524	Diode, Rect., 1N5062	3198	010	10120	S 9507	Wire Jumper, 0.58MM.	3198	036	90010
6525	Diode, Rect., 1N5062	3198	010	10120	9510	Wire Jumper, 0.58MM.	3198	036	90010
6526	Zener Diode, 22 volt	3198	020	52290	9512	Wire Jumper, 0.58MM.	3198	036	90010
6540	Zener Diode, 6.2 volt.	9331	668	30133	9513	Wire Jumper, 0.58MM.	3198	036	90010
6541	Zener Diode, 9.1 volt.	9322	150	08685	9514	Wire Jumper, 0.58MM.	3198	036	90010
6560	Diode, Rect., BYV29X-500.	9340	555	59127	9515	Wire Jumper, 0.58MM.	3198	036	90010
6562	Diode, Rect., EGP20DL-5100.	9322	164	42682	9516	Wire Jumper, 0.58MM.	3198	036	90010
6563	Diode, Signal, BAS316.	3198	010	10630	9518	Wire Jumper, 0.58MM.	3198	036	90010
6565	Diode, Signal, BAV70	9331	849	10215	9520	Wire Jumper, 0.58MM.	3198	036	90010
6566	Diode, Signal, 1N4148.	3198	010	10010	9521	Wire Jumper, 0.58MM.	3198	036	90010
6569	Diode, Signal, BAS316.	3198	010	10630	9522	Wire Jumper, 0.58MM.	3198	036	90010
6570	Zener Diode, 6.8 volt.	3198	020	56880	9524	Wire Jumper, 0.58MM.	3198	036	90010
6580	Diode, Signal, BAS316.	3198	010	10630	9525	Wire Jumper, 0.58MM.	3198	036	90010
6681	Diode Signal, IG BAT85	9336	247	60133	9528	Wire Jumper, 0.58MM.	3198	036	90010
6691	LED, VS LTL-10224WHCR.	9322	050	99682	9610	Wire Jumper, 0.58MM.	3198	036	90010
6692	IR, Receiver, TSOP1836UH3V	9322	127	54667	9611	Coil, 27u.	3198	018	22790
6831	Diode, Signal, 1N4148.	3198	010	10010	9612	Wire Jumper, 0.58MM.	3198	036	90010
6901	Res, Zero ohm, Chip Jumper	3198	021	90020	9613	Wire Jumper, 0.58MM.	3198	036	90010
7101	Transistor, NPN, BC847B.	3198	010	42030	9614	Wire Jumper, 0.58MM.	3198	036	90010
7102	Transistor, PNP, BC857B.	3198	010	42150	9615	Wire Jumper, 0.58MM.	3198	036	90010
7103	Transistor, NPN, BC847B.	3198	010	42030	9616	Wire Jumper, 0.58MM.	3198	036	90010
7200	IC, SM TDA9587H/N1/3	9352	716	32557	9617	Wire Jumper, 0.58MM.	3198	036	90010
7201	Transistor, NPN, BC847B.	3198	010	42030	9618	Wire Jumper, 0.58MM.	3198	036	90010
7204	Transistor, PNP, BC857B.	3198	010	42150	9619	Wire Jumper, 0.58MM.	3198	036	90010
7205	Transistor, PNP, BC857B.	3198	010	42150	9620	Wire Jumper, 0.58MM.	3198	036	90010
7441	Transistor, PNP, BC857B.	3198	010	42150	9621	Wire Jumper, 0.58MM.	3198	036	90010
7443	Transistor, PNP, BC557B.	3198	020	40110	9622	Wire Jumper, 0.58MM.	3198	036	90010
7450	Transistor, PNP, PDTA114ET	3198	010	44010	9623	Wire Jumper, 0.58MM.	3198	036	90010
7460	Transistor, NPN, BU4508DX.	9340	550	92127	9624	Wire Jumper, 0.58MM.	3198	036	90010
7461	Transistor, NPN, BC337-25.	3198	020	43530	9625	Wire Jumper, 0.58MM.	3198	036	90010
7462	Transistor, NPN, PDTC143ZT	9340	547	00215	9626	Wire Jumper, 0.58MM.	3198	036	90010
7463	Transistor, PNP, BC327-25.	3198	020	43430	9627	Wire Jumper, 0.58MM.	3198	036	90010
7471	IC, TDA8359J/N2.	9352	701	64112	9628	Wire Jumper, 0.58MM.	3198	036	90010
7480	Transistor, NPN, BD135	3198	020	41010	9629	Wire Jumper, 0.58MM.	3198	036	90010
7482	Transistor, NPN, BD135	3198	020	41010	9630	Wire Jumper, 0.58MM.	3198	036	90010
S 7515	Optical Coupler, TCET1104(G)	9322	175	72667	9631	Wire Jumper, 0.58MM.	3198	036	90010
7520	IC, TEA1507P/N1.	9352	673	56112	9632	Wire Jumper, 0.58MM.	3198	036	90010
7521	FET Power STPN8C50FP	9322	160	72687	9633	Wire Jumper, 0.58MM.	3198	036	90010
7522	Transistor, NPN, BC847B(COL)	3198	010	42030	9634	Wire Jumper, 0.58MM.	3198	036	90010
7540	Transistor, NPN, BC547B(COL)	3198	020	40030	9637	Wire Jumper, 0.58MM.	3198	036	90010
7541	Transistor, NPN, PDTC114ET	9340	310	10215	9638	Wire Jumper, 0.58MM.	3198	036	90010
7542	Transistor, PNP, BC857B(COL)	3198	010	42150	9639	Wire Jumper, 0.58MM.	3198	036	90010
7560	IC, L78L33ACZ.	9322	134	92676	9640	Wire Jumper, 0.58MM.	3198	036	90010
7561	Transistor, NPN, PDTC143ZT	9340	547	00215	9641	Wire Jumper, 0.58MM.	3198	036	90010
7562	Transistor, PNP, BC857B(COL)	3198	010	42150	9642	Wire Jumper, 0.58MM.	3198	036	90010
7564	Transistor, PNP, BC857B(COL)	3198	010	42150	9643	Wire Jumper, 0.58MM.	3198	036	90010
7580	Transistor, PNP, BC857B(COL)	3198	010	42150	9644	Wire Jumper, 0.58MM.	3198	036	90010
7602	IC, M24C08-WB6N.	9322	154	38682	9645	Wire Jumper, 0.58MM.	3198	036	90010
7801	IC, SM HEF4052BT	9333	729	50653	9646	Wire Jumper, 0.58MM.	3198	036	90010
7802	IC, SM HEF4052BT	9333	729	60653	9648	Wire Jumper, 0.58MM.	3198	036	90010
7831	IC, MSP3445G-PO-B8	9322	160	81682	9650	Wire Jumper, 0.58MM.	3198	036	90010
7901	IC, AN7522N.	9322	158	65667	9654	Wire Jumper, 0.58MM.	3198	036	90010
9001	Wire Jumper, 0.58MM.	3198	036	90010	9655	Wire Jumper, 0.58MM.	3198	036	90010
9101	Wire Jumper, 0.58MM.	3198	036	90010	9656	Wire Jumper, 0.58MM.	3198	036	90010
9102	Wire Jumper, 0.58MM.	3198	036	90010	9657	Wire Jumper, 0.58MM.	3198	036	90010
9103	Wire Jumper, 0.58MM.	3198	036	90010	9658	Wire Jumper, 0.58MM.	3198	036	90010
9171	Wire Jumper, 0.58MM.	3198	036	90010	9659	Wire Jumper, 0.58MM.	3198	036	90010
9172	Wire Jumper, 0.58MM.	3198	036	90010	9660	Wire Jumper, 0.58MM.	3198	036	90010
9173	Wire Jumper, 0.58MM.	3198	036	90010	9661	Wire Jumper, 0.58MM.	3198	036	90010
9175	Wire Jumper, 0.58MM.	3198	036	90010	9662	Wire Jumper, 0.58MM.	3198	036	90010
9176	Wire Jumper, 0.58MM.	3198	036	90010	9663	Wire Jumper, 0.58MM.	3198	036	90010
9178	Wire Jumper, 0.58MM.	3198	036	90010	9664	Wire Jumper, 0.58MM.	3198	036	90010
9179	Wire Jumper, 0.58MM.	3198	036	90010	9665	Wire Jumper, 0.58MM.	3198	036	90010
9181	Wire Jumper, 0.58MM.	3198	036	90010	9666	Wire Jumper, 0.58MM.	3198	036	90010
9182	Wire Jumper, 0.58MM.	3198	036	90010	9668	Wire Jumper, 0.58MM.	3198	036	90010
9183	Wire Jumper, 0.58MM.	3198	036	90010	9669	Wire Jumper, 0.58MM.	3198	036	90010
9192	Wire Jumper, 0.58MM.	3198	036	90010	9670	Wire Jumper, 0.58MM.	3198	036	90010
9193	Wire Jumper, 0.58MM.	3198	036	90010	9672	Wire Jumper, 0.58MM.	3198	036	90010
9406	Wire Jumper, 0.58MM.	3198	036	90010	9674	Wire Jumper, 0.58MM.	3198	036	90010
9407	Wire Jumper, 0.58MM.	3198	036	90010	9675	Wire Jumper, 0.58MM.	3198	036	90010
9408	Wire Jumper, 0.58MM.	3198	036	90010	9676	Wire Jumper, 0.58MM.	3198	036	90010
9409	Wire Jumper, 0.58MM.	3198	036	90010	9678	Wire Jumper, 0.58MM.	3198	036	90010
9410	Wire Jumper, 0.58MM.	3198	036	90010	9679	Wire Jumper, 0.58MM.	3198	036	90010
9411	Wire Jumper, 0.58MM.	3198	036	90010	9680	Wire Jumper, 0.58MM.	3198	036	90010
9412	Wire Jumper, 0.58MM.	3198	036	90010	9683	Wire Jumper, 0.58MM.	3198	036	90010
9413	Wire Jumper, 0.58MM.	3198	036	90010	9685	Wire Jumper, 0.58MM.	3198	036	90010
9415	Wire Jumper, 0.58MM.	3198	036	90010	9686	Wire Jumper, 0.58MM.	3198	036	90010
9416	Wire Jumper, 0.58MM.	3198	036	90010	9687	Wire Jumper, 0.58MM.	3198	036	90010
9417	Wire Jumper, 0.58MM.	3198	036	90010	9688	Wire Jumper, 0.58MM.	3198	036	90010
9418	Wire Jumper, 0.58MM.	3198	036	90010	9689	Wire Jumper, 0.58MM.	3198	036	90010
9419	Wire Jumper, 0.58MM.	3198	036	90010	9690	Wire Jumper, 0.58MM.	3198	036	90010
9421	Wire Jumper, 0.58MM.	3198	036	90010	9691	Wire Jumper, 0.58MM.	3198	036	90010
9422	Wire Jumper, 0.58MM.	3198	036	90010	9694	Wire Jumper, 0.58MM.	3198	036	90010
9423	Wire Jumper, 0.58MM.	3198	036	90010	9695	Wire Jumper, 0.58MM.	3198	036	90010
9425	Wire Jumper, 0.58MM.	3198	036	90010	9697	Wire Jumper, 0.58MM.	3198	036	90010
9427	Wire Jumper, 0.58MM.	3198	036	90010	9698	Wire Jumper, 0.58MM.	3198	036	90010
9453	Wire Jumper, 0.58MM.	3198	036	90010	9699	Wire Jumper, 0.58MM.	3198	036	90010

S = Safety Part Be sure to use exact replacement part.

29LW602231 (continued)

9821	Wire Jumper, 0.58MM.	3198	036	90010	0250	3 Pin Cinch Socket	2422	026	04815
9822	Wire Jumper, 0.58MM.	3198	036	90010	0251	6 Pin Connector.	2422	025	12482
9824	Wire Jumper, 0.58MM.	3198	036	90010	0254	5 Pin Connector.	2422	025	12481
9825	Wire Jumper, 0.58MM.	3198	036	90010	0255	4 Pin Connector.	2422	025	12479
9827	Wire Jumper, 0.58MM.	3198	036	90010	2171	Cap, 470p, 10%, 50v, Ceramic	3198	019	14710
9828	Wire Jumper, 0.58MM.	3198	036	90010	2172	Cap, 470p, 10%, 50v, Ceramic	3198	019	14710
9829	Wire Jumper, 0.58MM.	3198	036	90010	2173	Cap, 470p, 10%, 50v, Ceramic	3198	019	14710
9830	Wire Jumper, 0.58MM.	3198	036	90010	2174	Cap, 470p, 10%, 50v, Ceramic	3198	019	14710
9831	Wire Jumper, 0.58MM.	3198	036	90010	2176	Cap, 470p, 10%, 50v, Ceramic	3198	019	14710
9832	Wire Jumper, 0.58MM.	3198	036	90010	2177	Cap, 10u, 20%, 50v, Electrolytic	3198	025	51090
9834	Wire Jumper, 0.58MM.	3198	036	90010	2178	Cap, 470p, 10%, 50v, Ceramic	3198	019	14710
9835	Wire Jumper, 0.58MM.	3198	036	90010	2179	Cap, 10u, 20%, 50v, Electrolytic	3198	025	51090
9836	Wire Jumper, 0.58MM.	3198	036	90010	3150	Res, 47K, 5%, 1/6W, Carbon Film.	3198	011	04730
9837	Wire Jumper, 0.58MM.	3198	036	90010	3151	Res, 150 ohm, 5%, 1/6W, Carbon Film.	3198	011	01510
9838	Wire Jumper, 0.58MM.	3198	036	90010	3152	Res, 47K, 5%, 1/6W, Carbon Film.	3198	011	04730
9839	Wire Jumper, 0.58MM.	3198	036	90010	3153	Res, 150 ohm, 5%, 1/6W, Carbon Film.	3198	011	01510
9840	Wire Jumper, 0.58MM.	3198	036	90010	3156	Res, 120 ohm, 5%, 1/6W, Carbon Film.	3198	011	01210
9841	Wire Jumper, 0.58MM.	3198	036	90010	3157	Res, 120 ohm, 5%, 1/6W, Carbon Film.	3198	011	01210
9842	Wire Jumper, 0.58MM.	3198	036	90010	6161	Zener Diode, 6.8 volt.	3198	010	26880
9843	Wire Jumper, 0.58MM.	3198	036	90010	9153	Jumper	3198	036	90010
9844	Wire Jumper, 0.58MM.	3198	036	90010	9170	Jumper	3198	036	90010
9845	Wire Jumper, 0.58MM.	3198	036	90010	9171	Jumper	3198	036	90010
9846	Wire Jumper, 0.58MM.	3198	036	90010					
9847	Wire Jumper, 0.58MM.	3198	036	90010					
9849	Wire Jumper, 0.58MM.	3198	036	90010					
9851	Wire Jumper, 0.58MM.	3198	036	90010					
9901	Wire Jumper, 0.58MM.	3198	036	90010					
9902	Wire Jumper, 0.58MM.	3198	036	90010					
9903	Wire Jumper, 0.58MM.	3198	036	90010					
9904	Wire Jumper, 0.58MM.	3198	036	90010					
9905	Wire Jumper, 0.58MM.	3198	036	90010					
9911	Wire Jumper, 0.58MM.	3198	036	90010					
9912	Wire Jumper, 0.58MM.	3198	036	90010					
9913	Wire Jumper, 0.58MM.	3198	036	90010					
9914	Wire Jumper, 0.58MM.	3198	036	90010					
9915	Wire Jumper, 0.58MM.	3198	036	90010					
9916	Wire Jumper, 0.58MM.	3198	036	90010					
9918	Wire Jumper, 0.58MM.	3198	036	90010					
9919	Wire Jumper, 0.58MM.	3198	036	90010					
9920	Wire Jumper, 0.58MM.	3198	036	90010					
9921	Wire Jumper, 0.58MM.	3198	036	90010					
9922	Wire Jumper, 0.58MM.	3198	036	90010					
9991	Wire Jumper, 0.58MM.	3198	036	90010					
9994	Wire Jumper, 0.58MM.	3198	036	90010					
9996	Wire Jumper, 0.58MM.	3198	036	90010					
9998	Wire Jumper, 0.58MM.	3198	036	90010					
CBA	Main Chassis Assembly.	3139	177	27971					

CRT Panel Parts (Part of Main Chassis)

	CRT Panel Parts (Part of Main Chassis)								
0244	Connector, 5 Pin	2422	025	04853					
0245	Connector, 6 Pin	2422	025	04854					
S 0254	CRT Socket, 9 Pin.	2422	500	80076					
2330	Cap, 100n, 10%, 250v, Metallized Poly ester.	2222	368	90177					
2340	Cap, 10u, 20%, 250v, Electrolytic.	2020	012	93495					
2341	Cap, 3n3, 10%, 500v, Ceramic	3198	019	43320					
2342	Cap, 560p, 5%, 50v, Ceramic.	3198	016	05610					
2343	Cap, 3n3, 10%, 2000v, Ceramic.	2020	558	90529					
2344	Cap, 100n, +80/-20%, 25v, Ceramic.	3198	023	21040					
2345	Cap, 1n, 10%, 500v, Ceramic.	3198	019	41020					
3331	Res, 100 ohm, 5%, 1/6W, Carbon Film.	3198	011	01010					
3332	Res, 1K, 20%, 1/2W, Carbon Film.	3198	013	01020					
3333	Res, 100 ohm, 5%, 1/6W, Carbon Film.	3198	011	01010					
3334	Res, 1K, 20%, 1/2W, Carbon Film.	3198	013	01020					
3335	Res, 100 ohm, 5%, 1/6W, Carbon Film.	3198	011	01010					
3336	Res, 1K, 20%, 1/2W, Carbon Film.	3198	013	01020					
S 3340	Res, 10 ohm, 5%, 1/2W, Metal Film.	2306	207	03109					
S 3341	Res, 1 ohm, 5%, 1/3W, Metal Film.	2306	204	03108					
S 3342	Res, 1 ohm, 5%, 1/3W, Metal Film.	2306	204	03108					
3343	Res, 1K5, 20%, 1/2W, Carbon Film.	3198	013	01520					
3344	Res, 22 ohm, 5%, 1/6W, Carbon Film.	3198	011	02290					
3345	VDR DC 1MA/ 50V S MAX 115V A	2322	593	13507					
3346	Res, 22 ohm, 5%, 1/6W, Carbon Film.	3198	011	02290					
3347	Res, Zero ohm, Chip Jumper	3198	021	90020					
3350	Res, Zero ohm, Chip Jumper	3198	021	90020					
3353	Res, Zero ohm, Chip Jumper	3198	021	90020					
5342	Coil, 22u.	2422	535	97333					
6331	Diode, Signal, BAV21	3198	010	10070					
6332	Diode, Signal, BAS316.	3198	010	10630					
6333	Diode, Signal, BAV21	3198	010	10070					
6335	Diode, Signal, BAV21	3198	010	10070					
7330	IC, TDA6107Q/N2.	9352	576	50112					
9311	Wire Jumper, 0.58MM.	3198	036	90010					
9341	Wire Jumper, 0.58MM.	3198	036	90010					
9342	Wire Jumper, 0.58MM.	3198	036	90010					
9343	Wire Jumper, 0.58MM.	3198	036	90010					

Side AV+HP Panel Parts - 313912723881

	Side AV+HP Panel Parts - 313912723881								
CBA	Side AV+HP Panel Assembly.	3139	127	23881					
0232	1 Pin Headphone Socket	2422	026	04747					

S = Safety Part Be sure to use exact replacement part.

29PV702235 - Manual no. 7629

Cabinet & Accessory Parts

Cabinet & Accessory Parts			
S AC01	AC Cord	3135 010	04731
AC03	Battery, 1.5V, 2-PACK	9299 000	65263
AC04	Cabinet Back	3139 124	36762
AC07	Chassis Tray	3139 124	31323
AC09	Clip, Anode Lead (3 Used)	3135 014	04471
S AC10	CRT, A68QCP893X001	9322 173	75682
S AC12	Degaussing Coil	2422 549	43967
AC13	Holder, Degaussing Coil (4 Used)	3139 124	31122
AC16	Owner's Manual	3121 235	20401
REMOTE	Remote Transmitter, RC19036002/01	3139 228	88001
AC19	Yoke Wedge	3139 124	21565
AC20	Cabinet Front Assembly f/29PV702235	3121 237	51822
AC20a	Cabinet Front	3139 137	88401
AC20d	Light Guide	3139 124	33811
AC20g	Power Button Cover	3139 124	32921
AC20h	Power Button Shaft	3139 124	32791
AC20j	Speaker, 16ohm, 5W (2 Used)	3139 128	76071
AC20k	Top Control Panel	3139 127	23901
AC20k1	Top Control Bracket	3139 124	33941
AC20k2	Top Control Button	3139 124	30391
AC20k3	Top Control Cover	3139 124	31131
S AC21	Deflection Yoke, ITC (Supplied with CRT)	000- --	---

Main Chassis Assembly Parts

Main Chassis Assembly Parts			
0127	Socket Fuse	2422 088	00271
S 0211	Connector, 2 Pin	2422 025	16374
S 0212	Connector, 2 Pin	2422 025	16375
0214	Connector, 5 Pin	2422 025	12481
0219	Connector, 6 Pin	2422 025	12482
0220	Connector, 5 Pin	2422 025	04853
S 0221	Connector, 4 Pin	2422 025	15503
S 0222	Connector, 2 Pin	2422 025	10646
0223	Socket, Cinch, 9 Pin	2422 026	05236
0225	Socket, MDIN, 10 Pin	2422 026	04926
0239	Connector, 3 Pin	2422 025	16382
0243	Connector, 6 Pin	2422 025	04854
0246	Connector, 5 Pin	2422 025	12481
0267	Connector, 3 Pin	2412 020	00725
0269	Socket, Cinch, 3 Pin	2422 026	05182
1000	Tuner, V+U PLL	2422 542	90108
1002	SAW Filter, 45MHZ75, OFWML971M L	2422 549	44518
1200	Filter, Ceramic, 4MHz5	2422 549	40807
S 1500	Fuse, 4A, 250V, IEC	2422 086	10914
S 1515	Relay, 1P, 12V	2422 132	07467
1660	Crystal Resonator, 12 MHz, 20P, HC49/U A	2422 543	01203
1831	Crystal Resonator, 18MHZ432 12P HC49/U A	2422 543	00842
2004	Cap, 47n, 10%, 25v, Ceramic	3198 023	04730
2005	Cap, 10u, 20%, 50v, Electrolytic	3198 025	51090
2006	Cap, 470u, 20%, 16v, Electrolytic	3198 025	24710
2007	Cap, 100n, +80/-20%, 25v, Ceramic	3198 023	21040
2008	Cap, 100u, 20%, 25v, Electrolytic	3198 025	31010
2009	Cap, 22n, 10%, 50v, Ceramic	3198 017	02230
2101	Cap, 470n, +80/-20%, 16v, Ceramic	3198 017	24740
2102	Cap, 22p, 5%, 50v, Ceramic	3198 016	02290
2103	Cap, 330p, 10%, 50v, Ceramic	3198 017	03310
2104	Cap, 330p, 10%, 50v, Ceramic	3198 017	03310
2105	Cap, 10u, 20%, 50v, Electrolytic	3198 025	51090
2106	Cap, 10u, 20%, 50v, Electrolytic	3198 025	51090
2111	Cap, 22p, 5%, 50v, Ceramic	3198 016	02290
2112	Cap, 22p, 5%, 50v, Ceramic	3198 016	02290
2113	Cap, 22p, 5%, 50v, Ceramic	3198 016	02290
2121	Cap, 22p, 5%, 50v, Ceramic	3198 016	02290
2122	Cap, 330p, 10%, 50v, Ceramic	3198 017	03310
2123	Cap, 2u2, +80/-20%, 10v, Ceramic	3198 017	22250
2124	Cap, 330p, 10%, 50v, Ceramic	3198 017	03310
2125	Cap, 2u2, +80/-20%, 10v, Ceramic	3198 017	22250
2131	Cap, 330p, 10%, 50v, Ceramic	3198 017	03310
2132	Cap, 2u2, +80/-20%, 10v, Ceramic	3198 017	22250
2133	Cap, 330p, 10%, 50v, Ceramic	3198 017	03310
2134	Cap, 2u2, +80/-20%, 10v, Ceramic	3198 017	22250
2135	Cap, 22p, 5%, 50v, Ceramic	3198 016	02290
2136	Cap, 22p, 5%, 50v, Ceramic	3198 016	02290
2141	Cap, 330p, 10%, 50v, Ceramic	3198 017	03310
2143	Cap, 100n, +80/-20%, 25v, Ceramic	3198 023	21040
2150	Cap, 150n, 10%, 16v, Ceramic	2238 780	15652
2181	Cap, 22p, 5%, 50v, Ceramic	3198 016	02290
2184	Cap, 2u2, +80/-20%, 10v, Ceramic	3198 017	22250
2201	Cap, 100n, +80/-20%, 25v, Ceramic	3198 023	21040
2202	Cap, 100n, +80/-20%, 25v, Ceramic	3198 023	21040
2203	Cap, 100n, +80/-20%, 25v, Ceramic	3198 023	21040
2204	Cap, 100n, +80/-20%, 25v, Ceramic	3198 023	21040
2205	Cap, 220n, +80/-20%, 25v, Ceramic	3198 023	22240
2208	Cap, 100n, +80/-20%, 25v, Ceramic	3198 023	21040
2209	Cap, 4u7, 20%, 50v, Electrolytic	3198 025	54780
2210	Cap, 1u, +80/-20%, 16v, Ceramic	3198 017	21050
2211	Cap, 470n, +80/-20%, 16v, Ceramic	3198 017	24740

2213	Cap, 22n, 10%, 50v, Ceramic	3198 017	02230
2214	Cap, 22n, 10%, 50v, Ceramic	3198 017	02230
2215	Cap, 22n, 10%, 50v, Ceramic	3198 017	02230
2216	Cap, 1000u, 20%, 16v, Electrolytic	3198 026	21020
2217	Cap, 22n, 10%, 50v, Ceramic	3198 017	02230
2219	Cap, 220n, +80/-20%, 25v, Ceramic	3198 023	22240
2220	Cap, 470n, 10%, 50v, Polyester	3198 014	04740
2221	Cap, 22n, 10%, 50v, Ceramic	3198 017	02230
2241	Cap, 1n5, 10%, 50v, Ceramic	3198 017	01520
2242	Cap, 1u, +80/-20%, 16v, Ceramic	3198 017	21050
2243	Cap, 2n2, 10%, 50v, Ceramic	3198 017	02220
2244	Cap, 100n, 5%, 63v, Metallized Polyester	2222 370	76104
2245	Cap, 220n, +80/-20%, 25v, Ceramic	3198 023	22240
2247	Cap, 1000u, 20%, 16v, Electrolytic	3198 026	21020
2248	Cap, 22n, 10%, 50v, Ceramic	3198 017	02230
2249	Cap, 22n, 10%, 50v, Ceramic	3198 017	02230
2250	Cap, 2u2, 20%, 50v, Electrolytic	3198 025	52280
2252	Cap, 1n, 5%, 50v, Ceramic	3198 016	01020
2253	Cap, 1n, 5%, 50v, Ceramic	3198 016	01020
2254	Res, Zero ohm, Chip Jumper	3198 021	90020
2401	Cap, 2u2, 20%, 50v, Electrolytic	2020 021	90552
2402	Cap, 470p, 10%, 500v, Ceramic	3198 019	44710
2404	Cap, 47u, 20%, 50v, Electrolytic	3198 025	54790
2405	Cap, 220u, 20%, 25v, Electrolytic	3198 025	32210
2441	Cap, 1u, 20%, 50v, Electrolytic	3198 025	51080
2443	Cap, 47n, +80/-20%, 50v, Ceramic	3198 017	24730
2444	Cap, 1u, 20%, 50v, Electrolytic	3198 025	51080
2450	Cap, 47u, 20%, 160v, Electrolytic	2020 021	91139
2451	Cap, 22n, 10%, 50v, Polyester	3198 014	02230
2452	Cap, 180p, 5%, 50v, Ceramic	3198 016	01810
2455	Cap, 47u, 20%, 25v, Electrolytic	3198 025	34790
2457	Cap, 360n, 5%, 250v, Polypropylene	2222 479	90019
2458	Cap, 2u2, 20%, 100v, Electrolytic	2020 021	91331
2459	Cap, 680p, 10%, 500v, Ceramic	3198 019	46810
2460	Cap, 100p, 5%, 50v, Ceramic	3198 016	01010
2463	Cap, 820p, 10%, 2000v, Ceramic	2020 558	90486
2464	Cap, 2u2, 5%, 160v, Metallized Polypropylene	2222 479	90042
2465	Cap, 12n, 5%, 1600v, Polypropylene	2222 375	90156
2467	Cap, 15n, 10%, 400v, Polyester	2222 347	90219
2468	Cap, 15n, 10%, 400v, Polyester	2222 347	90219
2471	Cap, 100n, 10%, 50v, Polyester	3198 014	01040
2472	Cap, 150n, 10%, 63v, Metallized Polyester	2222 365	75154
2473	Cap, 100n, 10%, 63v, Metallized Polyester	2222 365	75104
2474	Cap, 2n2, 10%, 50v, Ceramic	3198 017	02220
2475	Cap, 2n2, 10%, 50v, Ceramic	3198 017	02220
2476	Cap, 4n7, 10%, 50v, Ceramic	3198 017	04720
2480	Cap, 47u, 20%, 25v, Electrolytic	2020 021	90586
2481	Cap, 470p, 10%, 500v, Ceramic	3198 019	44710
2482	Cap, 120n, 5%, 250v, Metallized Polypropylene	2222 479	90051
2485	Cap, 4u7, 20%, 250v, Electrolytic	2020 021	90856
2486	Cap, 470u, 20%, 16v, Electrolytic	2020 021	91577
2487	Cap, 47u, 20%, 50v, Electrolytic	2020 021	90854
2488	Cap, 1000u, 20%, 16v, Electrolytic	2020 021	91049
2489	Cap, 470u, 20%, 16v, Electrolytic	2020 021	91577
2491	Cap, 1n, 10%, 500v, Ceramic	3198 019	41020
S 2500	Cap, 470n, 20%, 275v, Metallized Polypropylene	2222 336	29148
2501	Cap, 2n2, 10%, 1000v, Ceramic	3198 019	52220
2502	Cap, 2n2, 10%, 1000v, Ceramic	3198 019	52220
2503	Cap, 470u, 20%, 200v, Electrolytic	2020 024	90626
2505	Cap, 2n2, 10%, 1000v, Ceramic	3198 019	52220
2507	Cap, 470p, 10%, 50v, Ceramic	3198 017	04710
2508	Cap, 470p, 10%, 1000v, Ceramic	3198 019	64710
S 2515	Cap, 1n5, 20%, v, Ceramic	2020 554	90128
2520	Cap, 100n, 10%, 16v, Ceramic	3198 017	01040
2521	Cap, 22u, 20%, 50v, Electrolytic	3198 025	52290
2522	Cap, 100n, 10%, 16v, Ceramic	3198 017	01040
2523	Cap, 1n5, 10%, 2000v, Ceramic	2020 558	90489
2525	Cap, 470p, 10%, 50v, Ceramic	3198 017	04710
2527	Cap, 2n2, 10%, 50v, Ceramic	3198 017	02220
2528	Cap, 1n, 10%, 50v, Ceramic	3198 017	01020
2540	Cap, 10n, 10%, 50v, Ceramic	3198 017	01030
2541	Cap, 10n, 10%, 50v, Ceramic	3198 017	01030
2560	Cap, 680p, 10%, 1000v, Ceramic	2020 558	90472
2561	Cap, 100u, 20%, 160v, Electrolytic	2020 021	91654
2562	Cap, 1n, 10%, 50v, Ceramic	3198 019	11020
2563	Cap, 100n, 10%, 50v, Polyester	3198 014	01040
2564	Cap, 2u2, 20%, 25v, Electrolytic	2020 021	91353
2566	Cap, 470u, 20%, 6.3v, Electrolytic	3198 025	04710
2567	Cap, 47u, 20%, 25v, Electrolytic	3198 025	34790
2568	Cap, 1u, 20%, 50v, Electrolytic	3198 025	51080
2580	Cap, 47u, 20%, 16v, Electrolytic	3198 028	24790
2581	Cap, 22u, 20%, 50v, Electrolytic	3198 025	52290
2601	Cap, 220n, +80/-20%, 25v, Ceramic	3198 023	22240
2602	Cap, 100p, 5%, 50v, Ceramic	3198 016	01010
2606	Cap, 1n, 10%, 50v, Ceramic	3198 017	01020
2607	Cap, 33p, 5%, 50v, Ceramic	3198 016	03390

S = Safety Part Be sure to use exact replacement part.

29PV702235 (continued)

2608	Cap, 1u, +80/-20%, 16v, Ceramic . . .	3198 017 21050	3203	Res, 100 ohm, 5%, 1/6W, Carbon Film.	3198 011 01010
2609	Cap, 33p, 5%, 50v, Ceramic	3198 016 03390	3204	Res, 22K, 5%, 1/6W, Carbon Film. . .	3198 011 02230
2611	Cap, 1u, +80/-20%, 16v, Ceramic. . .	3198 017 21050	3205	Res, 1k, 5%, Carbon.	3198 021 51020
2612	Cap, 68p, 5%, 50v, Ceramic	3198 016 06890	3206	Res, 33K, 5%, 1/10W, Metallized Glass	3198 021 53330
2613	Cap, 68p, 5%, 50v, Ceramic	3198 016 06890	3207	Res, 1K, 5%, 1/6W, Carbon Film . . .	3198 011 01020
2615	Cap, 1n, 10%, 50v, Ceramic	3198 017 01020	3208	Res, 220 ohm, 5%, Carbon	3198 021 52210
2618	Cap, 1u, +80/-20%, 16v, Ceramic. . .	3198 017 21050	3209	Res, 68 ohm, 5%, 1/10W, Metallized G lass	3198 021 56890
2619	Cap, 1u, +80/-20%, 16v, Ceramic. . .	3198 017 21050	3212	Res, 470 ohm, 5%, 1/10W, Metallized G lass	3198 021 54710
2801	Cap, 22u, 20%, 50v, Electrolytic . .	3198 025 52290	3213	Res, 560 ohm, 5%, 1/6W, Carbon Film.	3198 011 05610
2802	Cap, 220n, +80/-20%, 25v, Ceramic. .	3198 023 22240	3217	Res, 330K, 5%, 1/10W, Metallized Glas	3198 021 53340
2804	Cap, 2u2, +80/-20%, 10v, Ceramic . .	3198 017 22250	3218	Res, 82K, 5%, 1/10W, Metallized Glass	3198 021 58230
2805	Res, Zero ohm, Chip Jumper	3198 021 90020	3219	Res, 2K2, 5%, 1/10W, Metallized Glass	3198 021 52220
2806	Res, Zero ohm, Chip Jumper	3198 021 90020	3220	Res, 100 ohm, 5%, 1/6W, Carbon Film.	3198 011 01010
2831	Cap, 1p, 25%, 50v, Ceramic	3198 016 01080	3221	Res, 560 ohm, 5%, 1/6W, Carbon Film.	3198 011 05610
2832	Cap, 1p, 25%, 50v, Ceramic	3198 016 01080	3222	Res, 100 ohm, 5%, 1/6W, Carbon Film.	3198 011 01010
2833	Cap, 47p, 5%, 50v, Ceramic	3198 016 04790	3226	Res, 560 ohm, 5%, 1/10W, Metallized G lass	3198 021 55610
2834	Cap, 470p, 5%, 50v, Ceramic.	3198 016 04710	3235	Res, 100 ohm, 5%, 1/6W, Carbon Film.	3198 011 01010
2835	Cap, 220p, 5%, 50v, Ceramic.	3198 016 02210	3241	Res, 22k, 5%, Carbon	3198 021 52230
2836	Cap, 1n5, 10%, 50v, Ceramic.	3198 017 01520	3242	Res, 12K, 5%, 1/10W, Metallized Glass	3198 021 51230
2837	Cap, 4u7, 20%, 50v, Electrolytic . .	3198 025 54780	3244	Res, 820 ohm, 5%, 1/6W, Carbon Film.	3198 011 08210
2840	Cap, 100n, +80/-20%, 25v, Ceramic. .	3198 023 21040	3245	Res, 39K, 1%, 1/10W, Metallized Glass	2120 108 92633
2841	Cap, 10u, 20%, 50v, Electrolytic . .	3198 025 51090	3246	Res, 10k, 5%, Carbon	3198 021 51030
2842	Cap, 100n, +80/-20%, 25v, Ceramic. .	3198 023 21040	3247	Res, 680K, 5%, 1/10W, Metallized Glas	3198 021 56840
2843	Cap, 10u, 20%, 50v, Electrolytic . .	3198 025 51090	3248	Res, 33K, 5%, 1/10W, Metallized Glass	3198 021 53330
2844	Cap, 10u, 20%, 50v, Electrolytic. .	3198 025 51090	3249	Res, 820 ohm, 5%, 1/6W, Carbon Film.	3198 011 08210
2845	Cap, 100n, +80/-20%, 25v, Ceramic. .	3198 023 21040	3250	Res, 8K2, 5%, 1/6W, Carbon Film. . .	3198 011 08220
2846	Cap, 100u, 20%, 25v, Electrolytic. .	3198 025 31010	3251	Res, 100 ohm, 5%, 1/6W, Carbon Film.	3198 011 01010
2849	Cap, 1n, 5%, 50v, Ceramic.	3198 016 01020	3256	Res, 1k, 5%, Carbon.	3198 021 51020
2850	Cap, 1n, 5%, 50v, Ceramic.	3198 016 01020	3257	Res, 10M, 5%, 1/10W, Metallized Glass	3198 021 51060
2851	Res, Zero ohm, Chip Jumper	3198 021 90020	3258	Res, 100K, 5%, 1/10W, Metallized Glas	3198 021 51040
2852	Cap, 1n, 5%, 50v, Ceramic.	3198 016 01020	3259	Res, 470K, 5%, 1/10W, Metallized Glas	3198 021 54740
2853	Res, Zero ohm, Chip Jumper	3198 021 90020	3400	Res, 330 ohm, 5%, 1/6W, Carbon Film.	3198 011 03310
2854	Cap, 1n, 5%, 50v, Ceramic.	3198 016 01020	3401	Res, 220K, 5%, 1/6W, Carbon Film . .	3198 011 02240
2855	Cap, 33p, 5%, 50v, Ceramic	3198 016 03390	3403	Res, 82K, 1%, 3/5W, Metal Film . . .	2312 915 18203
2856	Cap, 47p, 5%, 50v, Ceramic	3198 016 04790	3404	Res, 1K, 5%, 1/6W, Carbon Film . . .	3198 011 01020
2857	Cap, 150p, 5%, 50v, Ceramic.	3198 016 01510	3405	Res, 4R7, 5%, 1/6W, Carbon Film. . .	3198 011 04780
2860	Cap, 180p, 5%, 50v, Ceramic.	3198 016 01810	3406	Res, 4R7, 5%, 1/6W, Carbon Film. . .	3198 011 04780
2894	Cap, 220p, 5%, 50v, Ceramic.	3198 016 02210	3408	Res, 100 ohm, 5%, 1/6W, Carbon Film.	3198 011 01010
2895	Cap, 560p, 5%, 50v, Ceramic.	3198 016 05610	3410	Res, 10K, 5%, 1/6W, Carbon Film. . .	3198 011 01030
2897	Cap, 390p, 5%, 50v, Ceramic.	3198 016 03910	3411	Res, 4R7, 5%, 1/3W, Metal Film . . .	2306 204 03478
2898	Cap, 10n, 10%, 50v, Ceramic.	3198 017 01030	3441	Res, 100 ohm, 5%, 1/10W, Metallized G lass	3198 021 51010
2902	Cap, 1000u, 20%, 16v, Electrolytic .	3198 026 21020	3442	Res, Zero ohm, Chip Jumper	3198 021 90020
2903	Cap, 1u, 20%, 50v, Electrolytic. . .	3198 025 51080	3443	Res, 1M, 5%, 1/10W, Metallized Glass	3198 021 51050
2904	Cap, 470n, +80/-20%, 16v, Ceramic. .	3198 017 24740	3445	Res, 15K, 5%, 1/6W, Carbon Film. . .	3198 011 01530
2905	Cap, 1n, 10%, 50v, Ceramic	3198 017 01020	3446	Res, 5K6, 5%, 1/6W, Carbon Film. . .	3198 011 05620
2906	Cap, 470n, +80/-20%, 16v, Ceramic. .	3198 017 24740	3447	Res, 180 ohm, 5%, 1/6W, Carbon Film.	3198 011 01810
2907	Cap, 1n, 10%, 50v, Ceramic	3198 017 01020	3448	Res, 820 ohm, 5%, 1/6W, Carbon Film.	3198 011 08210
2908	Cap, 10u, 20%, 50v, Electrolytic . .	3198 025 51090	3449	Res, 68 ohm, 5%, 1/6W, Carbon Film .	3198 011 06890
2910	Cap, 3n3, 10%, 50v, Ceramic.	3198 017 03320	3450	Res, 33 ohm, 5%, 1/6W, Carbon Film .	3198 011 03390
2911	Cap, 3n3, 10%, 50v, Ceramic.	3198 017 03320	S 3451	Res, 5R6, 5%, 1/3W, Metal Film . . .	2306 204 03568
2950	Cap, 330p, 5%, 50v, Ceramic.	3198 016 03310	3452	Res, 5K6, 1%, 3/5W, Metal Film . . .	2312 915 15602
3000	Res, 100 ohm, 5%, 1/6W, Carbon Film.	3198 011 01010	3453	Res, 1K, 5%, 1/6W, Carbon Film . . .	3198 011 01020
3001	Res, 100 ohm, 5%, 1/6W, Carbon Film.	3198 011 01010	3454	Res, 2K, 1%, 3/5W, Metal Film. . . .	2312 915 12002
3002	Res, Zero ohm, Chip Jumper	3198 021 90020	3455	Res, 6R8, 5%, 1 1/3W, Metal Film . .	3198 012 26880
3003	Res, 1K5, 5%, 1/10W, Metallized Glass	3198 021 51520	3456	Res, Zero ohm, Chip Jumper	3198 021 90020
3004	Res, 8K2, 5%, 1/10W, Metallized Glass	3198 021 58220	3457	Res, Zero ohm, Chip Jumper	3198 021 90020
3005	Res, 100 ohm, 5%, 1/6W, Carbon Film.	3198 011 01010	3458	Res, 1K, 5%, 1/6W, Carbon Film . . .	3198 011 01020
3101	Res, 68 ohm, 5%, 1/6W, Carbon Film .	3198 011 06890	3459	Res, 15K, 5%, 1 1/3W, Metal Film . .	3198 012 21530
3102	Res, 1k, 5%, Carbon.	3198 021 51020	3460	Res, 3K9, 5%, 1/6W, Carbon Film. . .	3198 011 03920
3103	Res, 150 ohm, 5%, 1/6W, Carbon Film.	3198 011 01510	3463	Res, 33 ohm, 5%, 1/6W, Carbon Film .	3198 011 03390
3104	Res, 220K, 5%, 1/10W, Metallized Glas	3198 021 52240	3465	Res, 27K, 1%, 3/5W, Metal Film . . .	2312 915 12703
3105	Res, 150 ohm, 5%, 1/6W, Carbon Film.	3198 011 01510	3468	Res, 100 ohm, 5%, 1/6W, Carbon Film.	3198 011 01010
3106	Res, 220K, 5%, 1/10W, Metallized Glas	3198 021 52240	3469	Res, 3K3, 5%, 1/6W, Carbon Film. . .	3198 011 03320
3111	Res, 75 ohm, 5%, 1/6W, Carbon Film .	3198 011 07590	3470	Res, 470K, 5%, 1/10W, Metallized Glas	3198 021 54740
3112	Res, 100 ohm, 5%, 1/6W, Carbon Film.	3198 011 01010	3472	Res, 3R9, 1%, 3/5W, Metal Film . . .	2312 915 13908
3113	Res, 75 ohm, 5%, 1/6W, Carbon Film .	3198 011 07590	3473	Res, 2R2, 1%, 3/5W, Metal Film . . .	2312 915 12208
3114	Res, 100 ohm, 5%, 1/6W, Carbon Film.	3198 011 01010	3474	Res, 2K2, 1%, 3/5W, Metal Film . . .	2312 915 12202
3115	Res, 75 ohm, 5%, 1/6W, Carbon Film .	3198 011 07590	3475	Res, 2K2, 1%, 3/5W, Metal Film . . .	2312 915 12202
3116	Res, 100 ohm, 5%, 1/6W, Carbon Film.	3198 011 01010	3477	Res, 150 ohm, 5%, 1/6W, Carbon Film.	3198 011 01510
3122	Wire Jumper, 0.58MM.	3198 036 90010	3478	Res, 150 ohm, 5%, 1/6W, Carbon Film.	3198 011 01510
3123	Res, 150 ohm, 5%, 1/6W, Carbon Film.	3198 011 01510	3479	Res, 2K7, 5%, 1/10W, Metallized Glass	3198 021 52720
3124	Res, 47K, 5%, 1/10W, Metallized Glass	3198 021 54730	3480	Res, 1R5, 5%, 1/4W, Carbon Film. . .	2120 101 74158
3125	Res, 150 ohm, 5%, 1/6W, Carbon Film.	3198 011 01510	3481	Res, 12k, 1%, Metal Film	2312 915 11203
3126	Res, 47K, 5%, 1/10W, Metallized Glass	3198 021 54730	3482	Res, 10K, 1%, 3/5W, Metal Film . . .	2312 915 11003
3131	Res, 150 ohm, 5%, 1/6W, Carbon Film.	3198 011 01510	3484	Res, 3K9, 5%, 1/6W, Carbon Film. . .	3198 011 03920
3132	Res, 47K, 5%, 1/10W, Metallized Glass	3198 021 54730	3486	Res, 22 ohm, 5%, 2 1/2W, Metal Film.	3198 012 32290
3133	Res, 150 ohm, 5%, 1/6W, Carbon Film.	3198 011 01510	3488	Res, 4R7, 5%, 1/2W, Metal Film . . .	2306 207 03478
3134	Res, 47K, 5%, 1/10W, Metallized Glass	3198 021 54730	3490	Res, 8K2, 5%, 1/6W, Carbon Film. . .	3198 011 08220
3135	Res, 75 ohm, 5%, 1/6W, Carbon Film .	3198 011 07590	3492	Res, 1k, 5%, Carbon.	3198 021 51020
3136	Res, 100 ohm, 5%, 1/6W, Carbon Film.	3198 011 01010	3493	Res, 6R8, 5%, 1/3W, Metal Film . . .	2306 204 03688
3138	Wire Jumper, 0.58MM.	3198 036 90010	3494	Res, 4R7, 5%, 1/2W, Metal Film . . .	2306 207 03478
3141	Res, 1K, 5%, 1/6W, Carbon Film . . .	3198 011 01020	3495	Res, 22k, 5%, Carbon	3198 021 52230
3149	Res, 100K, 5%, 1/10W, Metallized Glas	3198 021 51040	3496	Res, 100K, 5%, 1/10W, Metallized Glas	3198 021 51040
3150	Res, 150K, 5%, 1/10W, Metallized Glas	3198 021 51540	3497	Res, 100K, 5%, 1/10W, Metallized Glas	3198 021 51040
3154	Res, 5K6, 5%, 1/6W, Carbon Film. . .	3198 011 05620	3498	Res, 12K, 5%, 1/10W, Metallized Glass	3198 021 51230
3156	Res, 10K, 5%, 1/6W, Carbon Film. . .	3198 011 01030	3499	Res, 10k, 5%, Carbon	3198 021 51030
3157	Res, 1K5, 5%, 1/10W, Metallized Glass	3198 021 51520	3504	Res, 3 ohm, +30%/-20%, 144v, PTC, Car bon Film	2122 663 00019
3158	Res, 10k, 5%, Carbon	3198 021 51030			
3159	Res, 1K2, 1%, 1/10W, Metallized Glass	2120 108 92616			
3200	Res, 390 ohm, 5%, 1/6W, Carbon Film.	3198 011 03910			
3201	Res, 100 ohm, 5%, 1/6W, Carbon Film.	3198 011 01010			
3202	Res, 100 ohm, 5%, 1/6W, Carbon Film.	3198 011 01010			

S = Safety Part Be sure to use exact replacement part.

29PV702235 (continued)

S 3506	Res, 1M5, 5%, 1/2W, Metallized Glass	2322	242	13155	3906	Res, 10k, 5%, Carbon	3198	021	51030
S 3507	Surge Protector, DSP-301N-A21F A.	2422	549	43073	3907	Res, 8K2, 5%, 1/10W, Metallized Glass	3198	021	58220
S 3508	Res, 220 ohm, 20%, 1/2W, Carbon Film	3198	013	02210	4001	Res, Zero ohm, Chip Jumper	3198	021	90020
3510	Res, 4.7 ohm, 20%, 3W1, NTC, Carbon F ilm.	2122	612	00056	4002	Res, Zero ohm, Chip Jumper	3198	021	90020
3519	Res, 270 ohm, 5%, 1/6W, Carbon Film.	3198	011	02710	4181	Res, Zero ohm, Chip Jumper	3198	021	90020
3520	Res, 1K2, 5%, 1/10W, Metallized Glass	3198	021	51220	4209	Res, Zero ohm, Chip Jumper	3198	021	90020
3521	Res, 4R7, 5%, 1/6W, Carbon Film.	3198	011	04780	4216	Res, Zero ohm, Chip Jumper	3198	021	90020
3522	Res, 330K, 5%, 1/10W, Metallized Glas	3198	021	53340	4217	Res, Zero ohm, Chip Jumper	3198	021	90020
S 3523	Res, 100 ohm, 5%, 1/3W, Metal Film.	2306	204	03101	4401	Res, Zero ohm, Chip Jumper	3198	021	90020
3524	Res, 56K, 5%, 1/10W, Metallized Glass	3198	021	55630	4402	Res, Zero ohm, Chip Jumper	3198	021	90020
3525	Res, 1k, 5%, Carbon.	3198	021	51020	4430	Res, Zero ohm, Chip Jumper	3198	021	90020
3526	Res, 0R1, 5%, 3/5W, Metal Film . . .	3198	012	11070	4500	Res, Zero ohm, Chip Jumper	3198	021	90020
3527	Res, 0R33, 5%, 3/5W, Metal Film. . .	3198	012	13370	4601	Res, Zero ohm, Chip Jumper	3198	021	90020
3528	Res, Zero ohm, Chip Jumper	3198	021	90020	4613	Res, Zero ohm, Chip Jumper	3198	021	90020
3529	Res, 47K, 5%, 1/10W, Metallized Glass	3198	021	54730	4614	Res, Zero ohm, Chip Jumper	3198	021	90020
3530	Res, 10k, 5%, Carbon	3198	021	51030	4615	Res, Zero ohm, Chip Jumper	3198	021	90020
3531	Res, 4K7, 5%, 1/10W, Metallized Glass	3198	021	54720	4617	Res, Zero ohm, Chip Jumper	3198	021	90020
S 3532	Res, 2K2, 5%, 1/3W, Metal Film . . .	2306	204	03222	4619	Res, Zero ohm, Chip Jumper	3198	021	90020
3541	Res, 470 ohm, 5%, 1/10W, Metallized G lass	3198	021	54710	4622	Res, Zero ohm, Chip Jumper	3198	021	90020
3542	Res, 1K5, 5%, 1/10W, Metallized Glass	3198	021	51520	4623	Res, Zero ohm, Chip Jumper	3198	021	90020
3543	Res, 82K, 1%, 3/5W, Metal Film . . .	2312	915	18203	4691	Res, Zero ohm, Chip Jumper	3198	021	90020
3544	Res, 4K7, 1%, 1/10W, Metallized Glass	2120	108	92624	4692	Res, Zero ohm, Chip Jumper	3198	021	90020
3545	Res, 270K, 5%, 1/8W, Metallized Glass	2322	730	61274	4693	Res, Zero ohm, Chip Jumper	3198	021	90020
3548	Res, 15K, 5%, 1/10W, Metallized Glass	3198	021	51530	4801	Res, Zero ohm, Chip Jumper	3198	021	90020
3552	Res, 4K7, 5%, 1/10W, Metallized Glass	3198	021	54720	4831	Res, Zero ohm, Chip Jumper	3198	021	90020
3557	Res, 1k, 5%, Carbon.	3198	021	51020	4833	Res, Zero ohm, Chip Jumper	3198	021	90020
3560	Res, 47 ohm, 5%, 1/6W, Carbon Film . .	3198	011	04790	4835	Res, Zero ohm, Chip Jumper	3198	021	90020
3561	Res, 100 ohm, 5%, 1/6W, Carbon Film.	3198	011	01010	4901	Res, Zero ohm, Chip Jumper	3198	021	90020
3562	Res, 12K, 5%, 1/10W, Metallized Glass	3198	021	51230	4903	Res, Zero ohm, Chip Jumper	3198	021	90020
3563	Res, 5K6, 5%, 1/10W, Metallized Glass	3198	021	55620	4982	Res, Zero ohm, Chip Jumper	3198	021	90020
3564	Res, 0R1, 5%, 1 1/3W, Metal Film . . .	3198	012	21070	5001	Coil, 27u.	3198	018	22790
3565	Res, 330 ohm, 5%, 1W, Metal Film . . .	3198	012	13310	5002	Coil, 820n	3198	018	18270
3566	Res, 2K2, 5%, 1/10W, Metallized Glass	3198	021	52220	5201	Coil, 6u8.	3198	018	16880
3567	Res, 1K8, 5%, 1/10W, Metallized Glass	3198	021	51820	5202	Coil, 10u.	3198	018	21090
3568	Res, 8K2, 5%, 1/10W, Metallized Glass	3198	021	58220	5204	Fixed, Inductor, 100MHZ, 80 ohm. . .	3198	018	90020
3569	Res, 5K6, 5%, 1/10W, Metallized Glass	3198	021	55620	5205	Fixed, Inductor, 100MHZ, 80 ohm. . .	3198	018	90020
3580	Res, 47K, 5%, 1/10W, Metallized Glass	3198	021	54730	5206	Wire Jumper, 0.58MM.	3198	036	90010
3594	Res, 330 ohm, 5%, 1/10W, Metallized G lass	3198	021	53310	5241	Coil, 10u.	3198	018	21090
3595	Res, 220K, 5%, 1/10W, Metallized Glas	3198	021	52240	5242	Coil, 10u.	3198	018	11090
3596	Res, 220K, 5%, 1/10W, Metallized Glas	3198	021	52240	5401	Coil, 1m	3198	018	71020
3601	Res, 8K2, 5%, 1/6W, Carbon Film. . . .	3198	011	08220	S 5445	Transformer, LOT PSL0T 29''	3128	138	21421
3603	Res, 100 ohm, 5%, 1/6W, Carbon Film.	3198	011	01010	5451	Coil, 22u.	3198	018	72290
3604	Res, 100 ohm, 5%, 1/6W, Carbon Film.	3198	011	01010	5452	Fixed, Inductor, 100MHZ, 80 ohm. . .	3198	018	90020
3605	Res, 4K7, 5%, 1/10W, Metallized Glass	3198	021	54720	5457	Linear Correction Coil	3128	138	53201
3606	Res, 2K2, 5%, 1/6W, Carbon Film. . . .	3198	011	02220	5461	Transformer, Signal Driver, SC10015-0 0 B.	2422	531	02465
3607	Res, 2K2, 5%, 1/6W, Carbon Film. . . .	3198	011	02220	5463	Coil, Choke.	3128	138	37021
3608	Res, 100 ohm, 5%, 1/6W, Carbon Film.	3198	011	01010	5471	Coil, 6u8.	3198	018	76880
3609	Res, 1K, 5%, 1/6W, Carbon Film	3198	011	01020	5472	Coil, 3u3.	3198	018	23380
3610	Res, 8K2, 5%, 1/6W, Carbon Film. . . .	3198	011	08220	5480	Coil, 33u.	2422	535	97335
3611	Res, 100 ohm, 5%, 1/10W, Metallized G lass	3198	021	51010	S 5501	Filter, Mains, 5mH, 2A	2422	549	43432
3618	Res, 6K8, 5%, 1/6W, Carbon Film. . . .	3198	011	06820	S 5520	Transformer, SMT Layer, SS39009-04 B	2422	531	02459
3622	Res, 100 ohm, 5%, 1/10W, Metallized G lass	3198	021	51010	5521	Fixed, Inductor, 100MHZ, 50R.	3198	018	90010
3623	Res, 4K7, 5%, 1/10W, Metallized Glass	3198	021	54720	5560	Fixed, Inductor, 100MHZ, 50R.	3198	018	90010
3624	Res, 100 ohm, 5%, 1/6W, Carbon Film.	3198	011	01010	5561	Coil, 27u.	3198	018	22790
3625	Res, 100 ohm, 5%, 1/6W, Carbon Film.	3198	011	01010	5562	Fixed, Inductor, 100MHZ, 50R.	3198	018	90010
3626	Res, 4K7, 5%, 1/10W, Metallized Glass	3198	021	54720	5564	Fixed, Inductor, 100MHZ, 50R.	3198	018	90010
3627	Res, 4K7, 5%, 1/10W, Metallized Glass	3198	021	54720	5602	Coil, 5u6.	3198	018	15680
3628	Res, 10k, 5%, Carbon	3198	021	51030	5603	Coil, 5u6.	3198	018	15680
3630	Res, 2K2, 5%, 1/10W, Metallized Glass	3198	021	52220	5604	Coil, 5u6.	3198	018	15680
3632	Res, Zero ohm, Chip Jumper	3198	021	90020	5831	Coil, 6u8.	3198	018	16880
3634	Res, 100 ohm, 5%, 1/6W, Carbon Film.	3198	011	01010	5832	Coil, 6u8.	3198	018	16880
3635	Res, 100 ohm, 5%, 1/6W, Carbon Film.	3198	011	01010	5833	Coil, 6u8.	3198	018	16880
3636	Res, 100 ohm, 5%, 1/10W, Metallized G lass	3198	021	51010	5835	Coil, 12u.	3198	018	31290
3638	Res, 75 ohm, 5%, 1/10W, Metallized Gl ass.	3198	021	57590	6001	Zener Diode, 33 volt	3198	010	23390
3639	Res, Zero ohm, Chip Jumper	3198	021	90020	6006	Diode, Signal, 1N4148.	3198	010	10010
3694	Res, 4K7, 5%, 1/10W, Metallized Glass	3198	021	54720	6007	Diode, Signal, 1N4148.	3198	010	10010
3801	Res, 220 ohm, 5%, 1/6W, Carbon Film.	3198	011	02210	6150	Diode, Signal, BAS316.	3198	010	10630
3802	Res, 1K, 5%, 1/6W, Carbon Film	3198	011	01020	6201	Diode, Signal, BAS316.	3198	010	10630
3809	Res, 75 ohm, 5%, 1/10W, Metallized Gl ass.	3198	021	57590	6202	Diode, Signal, BAS316.	3198	010	10630
3810	Res, 75 ohm, 5%, 1/10W, Metallized Gl ass.	3198	021	57590	6206	Zener Diode, 6.8 volt.	3198	020	56880
3831	Res, 47K, 5%, 1/10W, Metallized Glass	3198	021	54730	6400	Res, 1K, 1%, 3/5W, Metal Film.	2312	915	11002
3832	Res, 100 ohm, 5%, 1/6W, Carbon Film.	3198	011	01010	6401	Zener Diode, 47 volt	3198	010	24790
3833	Res, 100 ohm, 5%, 1/6W, Carbon Film.	3198	011	01010	6445	Zener Diode, 10 volt	3198	020	51090
3836	Res, 1k, 5%, Carbon.	3198	021	51020	6447	Diode, Signal, 1N4148.	3198	010	10010
3837	Res, 100 ohm, 5%, 1/6W, Carbon Film.	3198	011	01010	6448	Zener Diode, 6.2 volt.	9331	668	30133
3838	Res, 1k, 5%, Carbon.	3198	021	51020	6449	Diode, Signal, BAV99	3198	010	10620
3839	Res, 100 ohm, 5%, 1/6W, Carbon Film.	3198	011	01010	6453	Zener Diode, 6.8 volt.	3198	020	56880
3843	Res, 2K2, 5%, 1/10W, Metallized Glass	3198	021	52220	6460	Diode, Rect, BY228/24.	9340	559	50112
3901	Res, 1k, 5%, Carbon.	3198	021	51020	6461	Diode, Rect, RGP30J-L7004.	9338	617	60682
3902	Res, 3K3, 5%, 1/10W, Metallized Glass	3198	021	53320	6462	Zener Diode, 9.1 volt.	9331	177	80133
3903	Res, 3K3, 5%, 1/10W, Metallized Glass	3198	021	53320	6465	Diode, Signal, BAV21	3198	010	10070
3904	Res, 10k, 5%, Carbon	3198	021	51030	6466	Diode, Signal, BAV21	3198	010	10070
3905	Res, 3K3, 5%, 1/10W, Metallized Glass	3198	021	53320	6467	Diode, Signal, BAS316.	3198	010	10630
					6468	Diode, Signal, BAS316.	3198	010	10630
					6469	Diode, Rect, BYD33J	9337	234	20133
					6470	Diode, Signal, BAV99	3198	010	10620
					6476	Zener Diode, 15 volt	3198	010	21590
					6481	Zener Diode, 5.6 volt.	3198	010	25680
					6482	Zener Diode, 9.1 volt.	9331	177	80133
					6483	Zener Diode, 33 volt	3198	010	23390
					6485	Diode, Rect, BYD33J	9337	234	20133

S = Safety Part Be sure to use exact replacement part.

29PV702235 (continued)

6486	Diode, Rect, EGP20DL-5100	9322 164 42682	9426	Wire Jumper, 0.58MM.	3198 036 90010
6487	Diode, Rect, BYD33D	9337 234 00133	9427	Wire Jumper, 0.58MM.	3198 036 90010
6488	Diode, Rect, EGP20DL-5100	9322 164 42682	9453	Wire Jumper, 0.58MM.	3198 036 90010
6500	Diode, Bridge Rect, GBU4JL-7002	9322 132 55667	9460	Wire Jumper, 0.58MM.	3198 036 90010
6520	Diode, Rect, BYD33D	9337 234 00133	9463	Wire Jumper, 0.58MM.	3198 036 90010
6523	Diode, Signal, 1N4148	3198 010 10010	9500	Wire Jumper, 0.58MM.	3198 036 90010
6524	Diode, Rect, 1N5062	3198 010 10120	9501	Wire Jumper, 0.58MM.	3198 036 90010
6525	Diode, Rect, 1N5062	3198 010 10120	9503	Wire Jumper, 0.58MM.	3198 036 90010
6526	Zener Diode, 22 volt	3198 020 52290	S 9506	Wire Jumper, 0.58MM.	3198 036 90010
6540	Zener Diode, 6.2 volt	9331 668 30133	S 9507	Wire Jumper, 0.58MM.	3198 036 90010
6541	Zener Diode, 9.1 volt	9322 150 08685	9510	Wire Jumper, 0.58MM.	3198 036 90010
6560	Diode, Rect, BYV29X-500	9340 555 59127	9512	Wire Jumper, 0.58MM.	3198 036 90010
6562	Diode, Rect, EGP20DL-5100	9322 164 42682	9513	Wire Jumper, 0.58MM.	3198 036 90010
6563	Diode, Signal, BAS316	3198 010 10630	9514	Wire Jumper, 0.58MM.	3198 036 90010
6565	Diode, Signal, BAV70	9331 849 10215	9515	Wire Jumper, 0.58MM.	3198 036 90010
6566	Diode, Signal, 1N4148	3198 010 10010	9516	Wire Jumper, 0.58MM.	3198 036 90010
6569	Diode, Signal, BAS316	3198 010 10630	9518	Wire Jumper, 0.58MM.	3198 036 90010
6570	Zener Diode, 6.8 volt	3198 020 56880	9520	Wire Jumper, 0.58MM.	3198 036 90010
6580	Diode, Signal, BAS316	3198 010 10630	9521	Wire Jumper, 0.58MM.	3198 036 90010
6831	Diode, Signal, 1N4148	3198 010 10010	9522	Wire Jumper, 0.58MM.	3198 036 90010
6901	Res, Zero ohm, Chip Jumper	3198 021 90020	9524	Wire Jumper, 0.58MM.	3198 036 90010
7101	Transistor, NPN, BC847B	3198 010 42030	9525	Wire Jumper, 0.58MM.	3198 036 90010
7102	Transistor, PNP, BC857B	3198 010 42150	9528	Wire Jumper, 0.58MM.	3198 036 90010
7103	Transistor, NPN, BC847B	3198 010 42030	9610	Wire Jumper, 0.58MM.	3198 036 90010
7200	IC, SM TDA9588H/N1/3	9352 716 35557	9611	Coil, 27u	3198 018 22790
7201	Transistor, NPN, BC847B	3198 010 42030	9612	Wire Jumper, 0.58MM.	3198 036 90010
7204	Transistor, PNP, BC857B	3198 010 42150	9613	Wire Jumper, 0.58MM.	3198 036 90010
7205	Transistor, PNP, BC857B	3198 010 42150	9614	Wire Jumper, 0.58MM.	3198 036 90010
7400	FET, Power, STP3NC60FP	9322 157 37687	9615	Wire Jumper, 0.58MM.	3198 036 90010
7441	Transistor, PNP, BC857B	3198 010 42150	9616	Wire Jumper, 0.58MM.	3198 036 90010
7443	Transistor, PNP, BC557B	3198 020 40110	9617	Wire Jumper, 0.58MM.	3198 036 90010
7450	Transistor, PNP, PDTA114ET	3198 010 44010	9618	Wire Jumper, 0.58MM.	3198 036 90010
7460	Transistor, NPN, BU4508DX	9340 550 92127	9619	Wire Jumper, 0.58MM.	3198 036 90010
7461	Transistor, NPN, BC337-25	3198 020 43530	9620	Wire Jumper, 0.58MM.	3198 036 90010
7462	Transistor, NPN, PDTCT143ZT	9340 547 00215	9621	Wire Jumper, 0.58MM.	3198 036 90010
7463	Transistor, PNP, BC327-25	3198 020 43430	9622	Wire Jumper, 0.58MM.	3198 036 90010
7471	IC, TDA8359J/N2	9352 701 64112	9623	Wire Jumper, 0.58MM.	3198 036 90010
7480	Transistor, NPN, BD135	3198 020 41010	9624	Wire Jumper, 0.58MM.	3198 036 90010
7482	Transistor, NPN, BD135	3198 020 41010	9625	Wire Jumper, 0.58MM.	3198 036 90010
S 7515	Optical Coupler, TCET1104(G)	9322 175 72667	9626	Wire Jumper, 0.58MM.	3198 036 90010
7520	IC, TEA1507P/N1	9352 673 56112	9627	Wire Jumper, 0.58MM.	3198 036 90010
7521	FET Power STP8NC50FP	9322 160 72687	9628	Wire Jumper, 0.58MM.	3198 036 90010
7522	Transistor, NPN, BC847B(COL)	3198 010 42030	9629	Wire Jumper, 0.58MM.	3198 036 90010
7540	Transistor, NPN, BC547B(COL)	3198 020 40030	9630	Wire Jumper, 0.58MM.	3198 036 90010
7541	Transistor, NPN, PDTCT114ET	9340 310 10215	9631	Wire Jumper, 0.58MM.	3198 036 90010
7542	Transistor, PNP, BC857B(COL)	3198 010 42150	9632	Wire Jumper, 0.58MM.	3198 036 90010
7560	IC, L78L33ACZ	9322 134 92676	9633	Wire Jumper, 0.58MM.	3198 036 90010
7561	Transistor, NPN, PDTCT143ZT	9340 547 00215	9634	Wire Jumper, 0.58MM.	3198 036 90010
7562	Transistor, PNP, BC857B(COL)	3198 010 42150	9637	Wire Jumper, 0.58MM.	3198 036 90010
7564	Transistor, PNP, BC857B(COL)	3198 010 42150	9638	Wire Jumper, 0.58MM.	3198 036 90010
7580	Transistor, PNP, BC857B(COL)	3198 010 42150	9639	Wire Jumper, 0.58MM.	3198 036 90010
7602	IC, M24C08-WBN6	9322 154 38682	9640	Wire Jumper, 0.58MM.	3198 036 90010
7606	Transistor, NPN, PDTCT143ZT	9340 547 00215	9641	Wire Jumper, 0.58MM.	3198 036 90010
7801	IC, SM HEF4052BT	9333 729 50653	9642	Wire Jumper, 0.58MM.	3198 036 90010
7802	IC, SM HEF4052BT	9333 729 60653	9643	Wire Jumper, 0.58MM.	3198 036 90010
7831	IC, MSP3445G-PO-B8	9322 160 81682	9644	Wire Jumper, 0.58MM.	3198 036 90010
7901	IC, AN7522N	9322 158 65667	9645	Wire Jumper, 0.58MM.	3198 036 90010
9001	Wire Jumper, 0.58MM.	3198 036 90010	9646	Wire Jumper, 0.58MM.	3198 036 90010
9101	Wire Jumper, 0.58MM.	3198 036 90010	9648	Wire Jumper, 0.58MM.	3198 036 90010
9102	Wire Jumper, 0.58MM.	3198 036 90010	9650	Wire Jumper, 0.58MM.	3198 036 90010
9103	Wire Jumper, 0.58MM.	3198 036 90010	9654	Wire Jumper, 0.58MM.	3198 036 90010
9171	Wire Jumper, 0.58MM.	3198 036 90010	9655	Wire Jumper, 0.58MM.	3198 036 90010
9172	Wire Jumper, 0.58MM.	3198 036 90010	9656	Wire Jumper, 0.58MM.	3198 036 90010
9173	Wire Jumper, 0.58MM.	3198 036 90010	9657	Wire Jumper, 0.58MM.	3198 036 90010
9175	Wire Jumper, 0.58MM.	3198 036 90010	9658	Wire Jumper, 0.58MM.	3198 036 90010
9176	Wire Jumper, 0.58MM.	3198 036 90010	9659	Wire Jumper, 0.58MM.	3198 036 90010
9178	Wire Jumper, 0.58MM.	3198 036 90010	9660	Wire Jumper, 0.58MM.	3198 036 90010
9179	Wire Jumper, 0.58MM.	3198 036 90010	9661	Wire Jumper, 0.58MM.	3198 036 90010
9181	Wire Jumper, 0.58MM.	3198 036 90010	9662	Wire Jumper, 0.58MM.	3198 036 90010
9182	Wire Jumper, 0.58MM.	3198 036 90010	9663	Wire Jumper, 0.58MM.	3198 036 90010
9183	Wire Jumper, 0.58MM.	3198 036 90010	9664	Wire Jumper, 0.58MM.	3198 036 90010
9192	Wire Jumper, 0.58MM.	3198 036 90010	9665	Wire Jumper, 0.58MM.	3198 036 90010
9193	Wire Jumper, 0.58MM.	3198 036 90010	9666	Wire Jumper, 0.58MM.	3198 036 90010
9406	Wire Jumper, 0.58MM.	3198 036 90010	9668	Wire Jumper, 0.58MM.	3198 036 90010
9407	Wire Jumper, 0.58MM.	3198 036 90010	9669	Wire Jumper, 0.58MM.	3198 036 90010
9408	Wire Jumper, 0.58MM.	3198 036 90010	9670	Wire Jumper, 0.58MM.	3198 036 90010
9409	Wire Jumper, 0.58MM.	3198 036 90010	9672	Wire Jumper, 0.58MM.	3198 036 90010
9410	Wire Jumper, 0.58MM.	3198 036 90010	9674	Wire Jumper, 0.58MM.	3198 036 90010
9411	Wire Jumper, 0.58MM.	3198 036 90010	9675	Wire Jumper, 0.58MM.	3198 036 90010
9412	Wire Jumper, 0.58MM.	3198 036 90010	9676	Wire Jumper, 0.58MM.	3198 036 90010
9413	Wire Jumper, 0.58MM.	3198 036 90010	9678	Wire Jumper, 0.58MM.	3198 036 90010
9414	Wire Jumper, 0.58MM.	3198 036 90010	9679	Wire Jumper, 0.58MM.	3198 036 90010
9415	Wire Jumper, 0.58MM.	3198 036 90010	9680	Wire Jumper, 0.58MM.	3198 036 90010
9416	Wire Jumper, 0.58MM.	3198 036 90010	9683	Wire Jumper, 0.58MM.	3198 036 90010
9417	Wire Jumper, 0.58MM.	3198 036 90010	9685	Wire Jumper, 0.58MM.	3198 036 90010
9418	Wire Jumper, 0.58MM.	3198 036 90010	9686	Wire Jumper, 0.58MM.	3198 036 90010
9419	Wire Jumper, 0.58MM.	3198 036 90010	9687	Wire Jumper, 0.58MM.	3198 036 90010
9421	Wire Jumper, 0.58MM.	3198 036 90010	9688	Wire Jumper, 0.58MM.	3198 036 90010
9422	Wire Jumper, 0.58MM.	3198 036 90010	9689	Wire Jumper, 0.58MM.	3198 036 90010
9423	Wire Jumper, 0.58MM.	3198 036 90010	9690	Wire Jumper, 0.58MM.	3198 036 90010
9424	Wire Jumper, 0.58MM.	3198 036 90010	9691	Wire Jumper, 0.58MM.	3198 036 90010
9425	Wire Jumper, 0.58MM.	3198 036 90010	9694	Wire Jumper, 0.58MM.	3198 036 90010

S = Safety Part Be sure to use exact replacement part.

29PV702235 (continued)

9695	Wire Jumper, 0.58MM.	3198 036 90010	CBA	Front Interface Panel Assembly	3139 127 22301
9697	Wire Jumper, 0.58MM.	3198 036 90010	0211	2 pin Connector.	2422 025 16268
9698	Wire Jumper, 0.58MM.	3198 036 90010	0212	2 pin Connector.	2422 025 16559
9699	Wire Jumper, 0.58MM.	3198 036 90010	0214	5 Pin Connector.	2422 025 06353
9821	Wire Jumper, 0.58MM.	3198 036 90010	1606	Tact Switch.	2422 128 02742
9822	Wire Jumper, 0.58MM.	3198 036 90010	2691	Cap, 10u, 20%, 50v, Electrolytic	3198 025 51090
9824	Wire Jumper, 0.58MM.	3198 036 90010	2698	Cap, 100n, 10%, 50v, Polyester	3198 014 01040
9825	Wire Jumper, 0.58MM.	3198 036 90010	3500	Res, 3M3, 5%, Metallized Glass	2322 242 13335
9827	Wire Jumper, 0.58MM.	3198 036 90010	3501	Res, 3M3, 5%, Metallized Glass	2322 242 13335
9828	Wire Jumper, 0.58MM.	3198 036 90010	3685	Res, 560R, 5%, 1/6W, Carbon.	3198 011 05610
9829	Wire Jumper, 0.58MM.	3198 036 90010	3691	Res, 330R, 5%, 1/6W, Carbon.	3198 011 03310
9830	Wire Jumper, 0.58MM.	3198 036 90010	3693	Res, 220R, 5%, 1/6W, Carbon.	3198 011 02210
9831	Wire Jumper, 0.58MM.	3198 036 90010	9001	Jumper	3198 036 90010
9832	Wire Jumper, 0.58MM.	3198 036 90010	9002	Jumper	3198 036 90010
9834	Wire Jumper, 0.58MM.	3198 036 90010	6691	LED, VS LTL-10224WHCR.	9322 050 99682
9835	Wire Jumper, 0.58MM.	3198 036 90010	6692	IR Receiver, TSOP1836UH3V.	9322 127 54667
9836	Wire Jumper, 0.58MM.	3198 036 90010			
9837	Wire Jumper, 0.58MM.	3198 036 90010			
9838	Wire Jumper, 0.58MM.	3198 036 90010			
9839	Wire Jumper, 0.58MM.	3198 036 90010			
9840	Wire Jumper, 0.58MM.	3198 036 90010	CBA	Side AV+HP Panel Assembly.	3139 127 25911
9841	Wire Jumper, 0.58MM.	3198 036 90010	0232	1 Pin Headphone Socket	2422 026 04747
9842	Wire Jumper, 0.58MM.	3198 036 90010	0250	3 Pin Cinch Socket	2422 026 04815
9843	Wire Jumper, 0.58MM.	3198 036 90010	0251	6 Pin Connector.	2422 025 12482
9844	Wire Jumper, 0.58MM.	3198 036 90010	0254	5 Pin Connector.	2422 025 12481
9845	Wire Jumper, 0.58MM.	3198 036 90010	0255	4 Pin Connector.	2422 025 12479
9846	Wire Jumper, 0.58MM.	3198 036 90010	2171	Cap, 470p, 10%, 50v, Ceramic	3198 019 14710
9847	Wire Jumper, 0.58MM.	3198 036 90010	2172	Cap, 470p, 10%, 50v, Ceramic	3198 019 14710
9847	Wire Jumper, 0.58MM.	3198 036 90010	2173	Cap, 470p, 10%, 50v, Ceramic	3198 019 14710
9849	Wire Jumper, 0.58MM.	3198 036 90010	2174	Cap, 470p, 10%, 50v, Ceramic	3198 019 14710
9851	Wire Jumper, 0.58MM.	3198 036 90010	2176	Cap, 470p, 10%, 50v, Ceramic	3198 019 14710
9901	Wire Jumper, 0.58MM.	3198 036 90010	2177	Cap, 10u, 20%, 50v, Electrolytic	3198 025 51090
9902	Wire Jumper, 0.58MM.	3198 036 90010	2178	Cap, 470p, 10%, 50v, Ceramic	3198 019 14710
9903	Wire Jumper, 0.58MM.	3198 036 90010	2179	Cap, 10u, 20%, 50v, Electrolytic	3198 025 51090
9904	Wire Jumper, 0.58MM.	3198 036 90010	3150	Res, 47K, 5%, 1/6W, Carbon Film.	3198 011 04730
9905	Wire Jumper, 0.58MM.	3198 036 90010	3151	Res, 150 ohm, 5%, 1/6W, Carbon Film.	3198 011 01510
9911	Wire Jumper, 0.58MM.	3198 036 90010	3152	Res, 47K, 5%, 1/6W, Carbon Film.	3198 011 04730
9912	Wire Jumper, 0.58MM.	3198 036 90010	3153	Res, 150 ohm, 5%, 1/6W, Carbon Film.	3198 011 01510
9913	Wire Jumper, 0.58MM.	3198 036 90010	3155	Res, 75 ohm, 5%, 1/6W, Carbon Film.	3198 011 07590
9914	Wire Jumper, 0.58MM.	3198 036 90010	3156	Res, 120 ohm, 5%, 1/6W, Carbon Film.	3198 011 01210
9915	Wire Jumper, 0.58MM.	3198 036 90010	3157	Res, 120 ohm, 5%, 1/6W, Carbon Film.	3198 011 01210
9916	Wire Jumper, 0.58MM.	3198 036 90010	6161	Zener Diode, 6.8 volt.	3198 010 26880
9918	Wire Jumper, 0.58MM.	3198 036 90010	9153	Jumper	3198 036 90010
9919	Wire Jumper, 0.58MM.	3198 036 90010	9170	Jumper	3198 036 90010
9920	Wire Jumper, 0.58MM.	3198 036 90010	9171	Jumper	3198 036 90010
9921	Wire Jumper, 0.58MM.	3198 036 90010			
9922	Wire Jumper, 0.58MM.	3198 036 90010			
9991	Wire Jumper, 0.58MM.	3198 036 90010			
9994	Wire Jumper, 0.58MM.	3198 036 90010			
9996	Wire Jumper, 0.58MM.	3198 036 90010			
9998	Wire Jumper, 0.58MM.	3198 036 90010			
CBA	Main Chassis Assembly.	3139 177 29831			

Side AV+HP Panel Parts - 313912725911

Side AV+HP Panel Parts - 313912725911

Top Control Panel Parts - 313912723901

Top Control Panel Parts - 313912723901

CRT Panel Parts (Part of Main Chassis)

CRT Panel Parts (Part of Main Chassis)

0244	Connector, 5 Pin	2422 025 04853			
0245	Connector, 6 Pin	2422 025 04854			
S 0254	CRT Socket, 9 Pin.	2422 500 80067	3092		
2330	Cap, 100n, 10%, 250v, Metallized Poly ester.	2222 368 90177	3093		
2340	Cap, 10u, 20%, 250v, Electrolytic.	2020 012 93495	3094		
2341	Cap, 3n3, 10%, 500v, Ceramic	3198 019 43320			
2342	Cap, 560p, 5%, 50v, Ceramic	3198 016 05610	3095		
2344	Cap, 100n, +80/-20%, 25v, Ceramic.	3198 023 21040	3096		
2345	Cap, 1n, 10%, 500v, Ceramic.	3198 019 41020			
2346	Cap, 1n2, 10%, 2000v, Ceramic.	2020 558 90488	6091		
3331	Res, 100 ohm, 5%, 1/6W, Carbon Film.	3198 011 01010			
3332	Res, 1K, 20%, 1/2W, Carbon Film.	3198 013 01020			
3333	Res, 100 ohm, 5%, 1/6W, Carbon Film.	3198 011 01010			
3334	Res, 1K, 20%, 1/2W, Carbon Film.	3198 013 01020			
3335	Res, 100 ohm, 5%, 1/6W, Carbon Film.	3198 011 01010			
3336	Res, 1K, 20%, 1/2W, Carbon Film.	3198 013 01020			
S 3340	Res, 10 ohm, 5%, 1/2W, Metal Film.	2306 207 03109			
S 3341	Res, 1 ohm, 5%, 1/3W, Metal Film	2306 204 03108			
S 3342	Res, 1 ohm, 5%, 1/3W, Metal Film	2306 204 03108			
3343	Res, 1K5, 20%, 1/2W, Carbon Film	3198 013 01520			
3344	Res, 22 ohm, 5%, 1/6W, Carbon Film	3198 011 02290			
3345	VDR DC 1MA/ 50V S MAX 115V A	2322 593 13507			
3346	Res, 22 ohm, 5%, 1/6W, Carbon Film	3198 011 02290			
3347	Res, Zero ohm, Chip Jumper	3198 021 90020			
3350	Res, Zero ohm, Chip Jumper	3198 021 90020			
3353	Res, Zero ohm, Chip Jumper	3198 021 90020			
5342	Coil, 22u.	2422 535 97333			
6331	Diode, Signal, BAV21	3198 010 10070			
6332	Diode, Signal, BAS316.	3198 010 10630			
6333	Diode, Signal, BAV21	3198 010 10070			
6335	Diode, Signal, BAV21	3198 010 10070			
7330	IC, TDA6107Q/N2.	9352 576 50112			
9311	Wire Jumper, 0.58MM.	3198 036 90010			
9341	Wire Jumper, 0.58MM.	3198 036 90010			
9342	Wire Jumper, 0.58MM.	3198 036 90010			
9343	Wire Jumper, 0.58MM.	3198 036 90010			

Front Interface Panel Parts - 313912722301

S = Safety Part. Inteface Panel Parts are exact replacement part.

32PS55S321 - Manual no. 7629

Cabinet & Accessory Parts

Cabinet & Accessory Parts			
S AC01	AC Cord	3139	128 76161
AC02	AC Cord Relief	3139	124 26301
AC03	Battery, 1.5V, 2-PACK	9299	000 65263
AC04	Cabinet Back	3139	124 42311
AC09	Clip, Anode Lead	3135	014 04471
S AC10	CRT, A80QCF340X34(N) (When Comp 2209 = 10uF)	9301	904 59463
S AC12	Degaussing Coil (Used w/CRT A80ECK272X56)	2422	549 43977
AC13	Holder, Degaussing Coil (4 Used)	3135	013 01661
AC15	Jack Panel Bracket Assembly	3139	138 19311
AC16	Owner's Manual	3121	235 20561
AC16b	Quick Use Guide	3121	233 40911
REMOTE	Remote Transmitter, RC19036001/01	3139	228 86491
AC20	Cabinet Front Assembly f/32PS55S321	3121	237 52881
AC20a	Cabinet Front	3139	124 42301
AC20b	Chassis Guide	3139	124 31323
AC20d	Light Guide	3139	124 26361
AC20e	Nameplate	3139	120 01192
AC20f	Power Button	3139	124 29441
AC20j	Speaker, Full Range, 16ohm, 5W (2 Used)	2422	264 00371
AC20k	Top Control Panel	3139	137 22091
AC20k4	Top Control Button Assembly	3139	137 95721
S AC21	Deflection Yoke	3313	203 01351
S AC10	CRT, A80ECK272X56 (When Comp 2209 = 4.7uF)	4835	131 27165
S AC12	Degaussing Coil (Used w/CRT A80QCF340X34(N))	2422	549 45334

Main Chassis Assembly Parts

Main Chassis Assembly Parts			
0127	Socket Fuse	2422	088 00271
S 0211	Connector, 2 Pin	2422	025 16269
S 0212	Connector, 2 Pin	2422	025 16375
0219	Connector, 6 Pin	2422	025 12482
0220	Connector, 5 Pin	2422	025 04853
S 0221	Connector, 4 Pin	2422	025 15503
S 0222	Connector, 2 Pin	2422	025 10646
0223	Socket, Cinch, 9 Pin	2422	026 05236
0225	Socket, MDIN, 10 Pin	2422	026 04926
0239	Connector, 3 Pin	2422	025 16382
0243	Connector, 6 Pin	2422	025 04854
0246	Connector, 5 Pin	2422	025 12481
0267	Connector, 3 Pin	2412	020 00725
0269	Socket, Cinch, 3 Pin	2422	026 05182
3247	Res, 470K, 5%, 1/10W, Glass (Used w/CRT A80QCF340X34(N))	3198	021 54740
1000	Tuner, V+U PLL	2422	542 90108
1002	SAW Filter, 45MHZ75, OFWM1971M L	2422	549 44518
1200	Filter, Ceramic, 4MHZ5	2422	549 04807
S 1500	Fuse, 4A, 250V, IEC	2422	086 10914
S 1515	Relay, 1P, 12V	2422	132 07444
1606	Tact Switch	2422	128 02742
1660	Crystal Resonator, 12 MHz, 20P, HC49/U A	2422	543 01203
1831	Crystal Resonator, 18MHZ432 12P HC49/U A	2422	543 00842
2004	Cap, 47n, 10%, 16v, Ceramic	3198	017 34730
2005	Cap, 10u, 20%, 50v, Electrolytic	3198	025 51090
2006	Cap, 470u, 20%, 16v, Electrolytic	3198	025 24710
2007	Cap, 100n, +80/-20%, 25v, Ceramic	3198	023 41040
2008	Cap, 100u, 20%, 25v, Electrolytic	3198	025 31010
2009	Cap, 22n, 10%, 25v, Ceramic	3198	017 32230
2101	Cap, 470n, +80/-20%, 16v, Ceramic	3198	017 24740
2102	Cap, 22p, 5%, 50v, Ceramic	3198	016 02290
2103	Cap, 330p, 5%, 50v, Ceramic	3198	016 33310
2104	Cap, 330p, 5%, 50v, Ceramic	3198	016 33310
2105	Cap, 10u, 20%, 50v, Electrolytic	3198	025 51090
2106	Cap, 10u, 20%, 50v, Electrolytic	3198	025 51090
2111	Cap, 22p, 5%, 50v, Ceramic	3198	016 02290
2112	Cap, 22p, 5%, 50v, Ceramic	3198	016 02290
2113	Cap, 22p, 5%, 50v, Ceramic	3198	016 02290
2121	Cap, 22p, 5%, 50v, Ceramic	3198	016 02290
2122	Cap, 330p, 5%, 50v, Ceramic	3198	016 33310
2123	Cap, 2u2, +80/-20%, 10v, Ceramic	3198	017 22250
2124	Cap, 330p, 5%, 50v, Ceramic	3198	016 33310
2125	Cap, 2u2, +80/-20%, 10v, Ceramic	3198	017 22250
2131	Cap, 330p, 5%, 50v, Ceramic	3198	016 33310
2132	Cap, 2u2, +80/-20%, 10v, Ceramic	3198	017 22250
2133	Cap, 330p, 5%, 50v, Ceramic	3198	016 33310
2134	Cap, 2u2, +80/-20%, 10v, Ceramic	3198	017 22250
2135	Cap, 22p, 5%, 50v, Ceramic	3198	016 02290
2136	Cap, 22p, 5%, 50v, Ceramic	3198	016 02290
2141	Cap, 330p, 5%, 50v, Ceramic	3198	016 33310
2143	Cap, 100n, +80/-20%, 25v, Ceramic	3198	023 41040
2150	Cap, 150n, 10%, 16v, Ceramic	2238	780 15652
2181	Cap, 22p, 5%, 50v, Ceramic	3198	016 02290
2184	Cap, 2u2, +80/-20%, 10v, Ceramic	3198	017 22250
2201	Cap, 100n, +80/-20%, 25v, Ceramic	3198	023 21040

2202	Cap, 100n, +80/-20%, 25v, Ceramic	3198	023 21040
2203	Cap, 100n, +80/-20%, 25v, Ceramic	3198	023 41040
2204	Cap, 100n, +80/-20%, 25v, Ceramic	3198	023 41040
2205	Cap, 220n, +80/-20%, 25v, Ceramic	3198	023 22240
2208	Cap, 100n, +80/-20%, 25v, Ceramic	3198	023 41040
2209	Cap, 4.7uF, 20%, 50v, Electrolytic (Used w/CRT A80ECK272X56)	3198	025 54780
2209	Cap, 10uF, 20%, 50v, Electrolytic (Used w/CRT A80QCF340X34(N))	3198	025 51090
2210	Cap, 1u, +80/-20%, 16v, Ceramic	3198	017 21050
2211	Cap, 470n, +80/-20%, 16v, Ceramic	3198	017 24740
2213	Cap, 22n, 10%, 50v, Ceramic	3198	017 02230
2214	Cap, 22n, 10%, 50v, Ceramic	3198	017 02230
2215	Cap, 22n, 10%, 50v, Ceramic	3198	017 02230
2216	Cap, 1000u, 20%, 16v, Electrolytic	3198	026 21020
2217	Cap, 22n, 10%, 25v, Ceramic	3198	017 32230
2219	Cap, 220n, +80/-20%, 25v, Ceramic	3198	023 22240
2220	Cap, 470n, 10%, 50v, Polyester	3198	014 04740
2221	Cap, 22n, 10%, 50v, Ceramic	3198	017 02230
2241	Cap, 1n5, 10%, 50v, Ceramic	3198	017 31520
2242	Cap, 1u, +80/-20%, 10v, Ceramic	3198	017 41050
2243	Cap, 2n2, 10%, 50v, Ceramic	3198	017 02220
2244	Cap, 100n, 10%, 63v, Metallized Polyester	2222	370 75104
2245	Cap, 220n, +80/-20%, 16v, Ceramic (Used w/CRT A80ECK272X56)	3198	023 22240
2245	Cap, 470n, +80/-20%, 16v, Ceramic (Used w/CRT A80QCF340X34(N))	3198	017 24740
2247	Cap, 1000u, 20%, 16v, Electrolytic	3198	026 21020
2248	Cap, 22n, 10%, 50v, Ceramic	3198	017 02230
2249	Cap, 22n, 10%, 25v, Ceramic	3198	017 32230
2250	Cap, 2u2, 20%, 50v, Electrolytic	3198	025 52280
2252	Cap, 1n, 5%, 25v, Ceramic	3198	016 31020
2253	Cap, 1n, 5%, 25v, Ceramic	3198	016 31020
2254	Res, Zero ohm, Chip Jumper	3198	021 90020
2401	Cap, 2u2, 20%, 50v, Electrolytic	2020	021 90552
2402	Cap, 470p, 10%, 500v, Ceramic	3198	019 44710
2404	Cap, 47u, 20%, 50v, Electrolytic	3198	025 54790
2405	Cap, 220u, 20%, 25v, Electrolytic	3198	025 32210
2441	Cap, 1u, 20%, 50v, Electrolytic	3198	025 51080
2443	Cap, 47n, +80/-20%, 50v, Ceramic	3198	017 24730
2444	Cap, 1u, 20%, 50v, Electrolytic	3198	025 51080
2450	Cap, 47u, 20%, 160v, Electrolytic	2020	021 91139
2451	Cap, 15n, 10%, 50v, Polyester	3198	014 01530
2452	Cap, 180p, 5%, 50v, Ceramic	3198	016 01810
2455	Cap, 47u, 20%, 25v, Electrolytic	3198	025 34790
2457	Cap, 470nF, 5%, 250v, Polypropylene (Used w/CRT A80QCF340X34(N))	2222	479 90023
2457	Cap, 430nF, 5%, 250v, Polypropylene (Used w/CRT A80ECK272X56)	2222	479 90022
2458	Cap, 2u2, 20%, 100v, Electrolytic	2020	021 91331
2459	Cap, 680p, 10%, 500v, Ceramic	3198	019 46810
2460	Cap, 100p, 5%, 50v, Ceramic	3198	016 01010
2463	Cap, 680p, 10%, 2kV, Ceramic (Used w/CRT A80ECK272X56)	2020	558 90485
2463	Cap, 1.2nF, 10%, 2kV, Ceramic (Used w/CRT A80QCF340X34(N))	2020	558 90488
2464	Cap, 2u2, 5%, 160v, Metallized Polypropylene	2222	479 90042
2465	Cap, 13n, 5%, 1600v, Polypropylene	2222	375 90157
2466	Cap, 10n, 10%, 400v, Polyester (Used w/CRT A80ECK272X56)	2222	347 90218
2466	Cap, 15n, 10%, 400v, Polyester (Used w/CRT A80QCF340X34(N))	2222	347 90219
2468	Cap, 18n, 10%, 400v, Polyester (Used w/CRT A80ECK272X56)	2222	347 90222
2468	Cap, 10n, 10%, 400v, Polyester (Used w/CRT A80QCF340X34(N))	2222	347 90218
2471	Cap, 100n, 10%, 50v, Polyester	3198	014 01040
2472	Cap, 150n, 10%, 63v, Metallized Polyester	2222	365 75154
2473	Cap, 100n, 10%, 63v, Metallized Polyester	2222	365 75104
2474	Cap, 2n2, 10%, 50v, Ceramic	3198	017 02220
2475	Cap, 2n2, 10%, 50v, Ceramic	3198	017 02220
2476	Cap, 4n7, 10%, 50v, Ceramic	3198	017 04720
2480	Cap, 47u, 20%, 25v, Electrolytic	2020	021 90586
2481	Cap, 470p, 10%, 500v, Ceramic	3198	019 44710
2482	Cap, 68n, 10%, 250v, Polyester	2222	347 90234
2485	Cap, 4u7, 20%, 250v, Electrolytic	2020	021 90856
2486	Cap, 470u, 20%, 16v, Electrolytic	2020	021 91577
2487	Cap, 47u, 20%, 50v, Electrolytic	2020	021 90854
2488	Cap, 1000u, 20%, 16v, Electrolytic	2020	021 91049
2489	Cap, 470u, 20%, 16v, Electrolytic	2020	021 91577
2491	Cap, 1n, 10%, 500v, Ceramic	3198	019 41020
S 2500	Cap, 470n, 20%, 275v, Metallized Polypropylene	2222	336 29148
2501	Cap, 2n2, 10%, 1000v, Ceramic	3198	019 52220
2502	Cap, 2n2, 10%, 1000v, Ceramic	3198	019 52220
2503	Cap, 470u, 20%, 200v, Electrolytic	2020	024 90626
2505	Cap, 2n2, 10%, 1000v, Ceramic	3198	019 52220
2507	Cap, 470p, 10%, 50v, Ceramic	3198	017 04710

S = Safety Part Be sure to use exact replacement part.

32PS55S321 (continued)

2508	Cap, 470p, 10%, 1000v, Ceramic . . .	3198 019 64710	3114	Res, 100 ohm, 5%, 1/6W, Carbon Film.	3198 011 01010
S 2515	Cap, 1n5, 20%, v, Ceramic	2020 554 90128	3115	Res, 75 ohm, 5%, 1/6W, Carbon Film .	3198 011 07590
2520	Cap, 100n, 10%, 16v, Ceramic	3198 017 01040	3116	Res, 100 ohm, 5%, 1/6W, Carbon Film.	3198 011 01010
2521	Cap, 22u, 20%, 50v, Electrolytic . . .	3198 025 52290	3122	Wire Jumper, 0.58MM.	3198 036 90010
2522	Cap, 100n, 10%, 16v, Ceramic	3198 017 01040	3123	Res, 150 ohm, 5%, 1/6W, Carbon Film.	3198 011 01510
2523	Cap, 1n5, 10%, 2000v, Ceramic	2020 558 90489	3124	Res, 47K, 5%, 1/16W, Metallized Glass	3198 021 34730
2525	Cap, 470p, 10%, 50v, Ceramic	3198 017 04710	3125	Res, 150 ohm, 5%, 1/6W, Carbon Film.	3198 011 01510
2527	Cap, 2n2, 10%, 50v, Ceramic	3198 017 02220	3126	Res, 47K, 5%, 1/16W, Metallized Glass	3198 021 34730
2528	Cap, 1n, 10%, 50v, Ceramic	3198 017 01020	3131	Res, 150 ohm, 5%, 1/6W, Carbon Film.	3198 011 01510
2540	Cap, 10n, 10%, 50v, Ceramic	3198 017 01030	3132	Res, 47K, 5%, 1/16W, Metallized Glass	3198 021 34730
2541	Cap, 10n, 10%, 50v, Ceramic	3198 017 01030	3133	Res, 150 ohm, 5%, 1/6W, Carbon Film.	3198 011 01510
2560	Cap, 680p, 10%, 1000v, Ceramic	2020 558 90472	3134	Res, 47K, 5%, 1/16W, Metallized Glass	3198 021 34730
2561	Cap, 100u, 20%, 160v, Electrolytic . .	2020 021 91654	3135	Res, 75 ohm, 5%, 1/6W, Carbon Film .	3198 011 07590
2562	Cap, 1n, 10%, 50v, Ceramic	3198 019 11020	3136	Res, 100 ohm, 5%, 1/6W, Carbon Film.	3198 011 01010
2563	Cap, 100n, 10%, 50v, Polyester	3198 014 01040	3138	Wire Jumper, 0.58MM.	3198 036 90010
2564	Cap, 2u2, 20%, 25v, Electrolytic . . .	2020 021 91353	3141	Res, 1K, 5%, 1/6W, Carbon Film . . .	3198 011 01020
2566	Cap, 470u, 20%, 6.3v, Electrolytic . .	3198 025 04710	3149	Res, 100K, 5%, 1/16W, Metallized Glas	3198 021 31040
2567	Cap, 47u, 20%, 25v, Electrolytic . . .	3198 025 34790	3150	Res, 150K, 5%, 1/16W, Metallized Glas	3198 021 31540
2568	Cap, 1u, 20%, 50v, Electrolytic	3198 025 51080	3154	Res, 5K6, 5%, 1/6W, Carbon Film. . .	3198 011 05620
2580	Cap, 47u, 20%, 16v, Electrolytic . . .	3198 028 24790	3156	Res, 10K, 5%, 1/6W, Carbon Film. . .	3198 011 01030
2581	Cap, 22u, 20%, 50v, Electrolytic . . .	3198 025 52290	3157	Res, 1K5, 5%, 1/16W, Metallized Glass	3198 021 31520
2601	Cap, 220n, +80/-20%, 25v, Ceramic. .	3198 023 22240	3158	Res, 10K, 5%, 1/16W, Metallized Glass	3198 021 31030
2602	Cap, 100p, 5%, 50v, Ceramic.	3198 016 01010	3159	Res, 1K2, 1%, 1/10W, Metallized Glass	2120 108 92616
2606	Cap, 1n, 10%, 50v, Ceramic	3198 017 01020	3200	Res, 390 ohm, 5%, 1/6W, Carbon Film.	3198 011 03910
2607	Cap, 33p, 5%, 50v, Ceramic	3198 016 33390	3201	Res, 100 ohm, 5%, 1/6W, Carbon Film.	3198 011 01010
2608	Cap, 1u, +80/-20%, 10v, Ceramic. . . .	3198 017 41050	3202	Res, 100 ohm, 5%, 1/6W, Carbon Film.	3198 011 01010
2609	Cap, 33p, 5%, 50v, Ceramic	3198 016 33390	3203	Res, 100 ohm, 5%, 1/6W, Carbon Film.	3198 011 01010
2611	Cap, 1u, +80/-20%, 10v, Ceramic. . . .	3198 017 41050	3204	Res, 22K, 5%, 1/6W, Carbon Film. . .	3198 011 02230
2612	Cap, 68p, 5%, 50v, Ceramic	3198 016 06890	3205	Res, 1k, 5%, Carbon.	3198 021 51020
2613	Cap, 68p, 5%, 50v, Ceramic	3198 016 06890	3206	Res, 33K, 5%, 1/16W, Glass (Used w/CR	
2615	Cap, 1n, 10%, 50v, Ceramic	3198 017 01020		T A80ECK272X56).	3198 021 53330
2618	Cap, 1u, +80/-20%, 10v, Ceramic. . . .	3198 017 41050	3206	Res, 270K, 5%, 1/8W, Glass (Used w/CR	
2619	Cap, 1u, +80/-20%, 16v, Ceramic. . . .	3198 017 21050		T A80QCF340X34(N)).	2322 730 61274
2691	Cap, 10u, 20%, 50v, Electrolytic . . .	3198 025 51090	3207	Res, 1K, 5%, 1/6W, Carbon Film . . .	3198 011 01020
2801	Cap, 22u, 20%, 50v, Electrolytic . . .	3198 025 52290	3208	Res, 220 ohm, 5%, 1/16W, Metallized G	
2802	Cap, 220n, +80/-20%, 16v, Ceramic. .	3198 017 42240		lass	3198 021 32210
2804	Cap, 2u2, +80/-20%, 10v, Ceramic . . .	3198 017 22250	3209	Res, 68 ohm, 5%, 1/16W, Metallized Gl	
2805	Res, Zero ohm, Chip Jumper	3198 021 90020		ass.	3198 021 36890
2806	Res, Zero ohm, Chip Jumper	3198 021 90020	3212	Res, 470 ohm, 5%, 1/16W, Metallized G	
2831	Cap, 1p, 25%, 50v, Ceramic	3198 016 31080		lass	3198 021 34710
2832	Cap, 1p, 25%, 50v, Ceramic	3198 016 31080	3213	Res, 560 ohm, 5%, 1/6W, Carbon Film.	3198 011 05610
2833	Cap, 47p, 5%, 50v, Ceramic	3198 016 34790	3217	Res, 330K, 5%, 1/16W, Metallized Glas	3198 021 33340
2834	Cap, 470p, 5%, 50v, Ceramic.	3198 016 34710	3218	Res, 8K2, 5%, 1/16W, Metallized Glass	3198 021 38220
2835	Cap, 220p, 5%, 50v, Ceramic.	3198 016 32210	3219	Res, 2K2, 5%, 1/16W, Metallized Glass	3198 021 32220
2836	Cap, 1n5, 10%, 50v, Ceramic.	3198 017 31520	3220	Res, 100 ohm, 5%, 1/6W, Carbon Film.	3198 011 01010
2837	Cap, 4u7, 20%, 50v, Electrolytic . . .	3198 025 54780	3221	Res, 560 ohm, 5%, 1/6W, Carbon Film.	3198 011 05610
2840	Cap, 100n, +80/-20%, 25v, Ceramic. . .	3198 023 41040	3222	Res, 100 ohm, 5%, 1/6W, Carbon Film.	3198 011 01010
2841	Cap, 10u, 20%, 50v, Electrolytic . . .	3198 025 51090	3226	Res, 560 ohm, 5%, 1/16W, Metallized G	
2842	Cap, 100n, +80/-20%, 25v, Ceramic. . .	3198 023 41040		lass	3198 021 35610
2843	Cap, 10u, 20%, 50v, Electrolytic . . .	3198 025 51090	3235	Res, 100 ohm, 5%, 1/6W, Carbon Film.	3198 011 01010
2844	Cap, 10u, 20%, 50v, Electrolytic . . .	3198 025 51090	3241	Res, 22K, 5%, 1/16W, Metallized Glass	3198 021 32230
2845	Cap, 100n, +80/-20%, 25v, Ceramic. . .	3198 023 41040	3242	Res, 12K, 5%, 1/10W, Metallized Glass	3198 021 51230
2846	Cap, 100u, 20%, 25v, Electrolytic. . .	3198 025 31010	3244	Res, 820 ohm, 5%, 1/6W, Carbon Film.	3198 011 08210
2849	Cap, 1n, 5%, 25v, Ceramic.	3198 016 31020	3245	Res, 39K, 5%, 1/10W, Metallized Glass	3198 021 53930
2850	Cap, 1n, 5%, 25v, Ceramic.	3198 016 31020	3246	Res, 10k, 5%, Carbon	3198 021 51030
2851	Res, Zero ohm, Chip Jumper	3198 021 90020	3247	Res, 680K, 5%, 1/10W, Glass (Used w/C	
2852	Cap, 1n, 5%, 25v, Ceramic.	3198 016 31020		RT A80ECK272X56).	3198 021 56840
2853	Res, Zero ohm, Chip Jumper	3198 021 90020	3248	Res, 33K, 5%, 1/10W, Metallized Glass	3198 021 53330
2854	Cap, 1n, 5%, 25v, Ceramic.	3198 016 31020	3249	Res, 820 ohm, 5%, 1/6W, Carbon Film.	3198 011 08210
2855	Cap, 33p, 5%, 50v, Ceramic	3198 016 33390	3250	Res, 8K2, 5%, 1/6W, Carbon Film. . .	3198 011 08220
2856	Cap, 47p, 5%, 50v, Ceramic	3198 016 34790	3251	Res, 100 ohm, 5%, 1/6W, Carbon Film.	3198 011 01010
2857	Cap, 150p, 5%, 50v, Ceramic.	3198 016 31510	3256	Res, 1k, 5%, Carbon.	3198 021 51020
2860	Cap, 180p, 5%, 50v, Ceramic.	3198 016 01810	3257	Res, 10M, 5%, 1/10W, Metallized Glass	3198 021 51060
2894	Cap, 220p, 5%, 50v, Ceramic.	3198 016 32210	3258	Res, 100K, 5%, 1/10W, Metallized Glas	3198 021 51040
2895	Cap, 560p, 5%, 25v, Ceramic.	3198 016 35610	3259	Res, 470K, 5%, 1/10W, Metallized Glas	3198 021 54740
2897	Cap, 390p, 5%, 50v, Ceramic.	3198 016 03910	3400	Res, 330 ohm, 5%, 1/6W, Carbon Film.	3198 011 03310
2898	Cap, 10n, 10%, 50v, Ceramic.	3198 017 31030	3401	Res, 33K, 5%, 1/6W, Carbon Film. . .	3198 011 03330
2902	Cap, 1000u, 20%, 16v, Electrolytic . .	3198 026 21020	3403	Res, 100K, 5%, 1/6W, Carbon Film . .	3198 011 01040
2903	Cap, 1u, 20%, 50v, Electrolytic. . . .	3198 025 51080	3404	Res, 1K, 5%, 1/6W, Carbon Film . . .	3198 011 01020
2904	Cap, 470n, +80/-20%, 16v, Ceramic. . .	3198 017 24740	3405	Res, 4R7, 5%, 1/6W, Carbon Film. . .	3198 011 04780
2905	Cap, 1n, 10%, 50v, Ceramic	3198 017 01020	3406	Res, 4R7, 5%, 1/6W, Carbon Film. . .	3198 011 04780
2906	Cap, 470n, +80/-20%, 16v, Ceramic. . .	3198 017 24740	3408	Res, 100 ohm, 5%, 1/6W, Carbon Film.	3198 011 01010
2907	Cap, 1n, 10%, 50v, Ceramic	3198 017 01020	3410	Res, 10K, 5%, 1/6W, Carbon Film. . .	3198 011 01030
2908	Cap, 10u, 20%, 50v, Electrolytic . . .	3198 025 51090	3411	Res, 4R7, 5%, 1/3W, Metal Film . . .	2306 204 03478
2910	Cap, 3n3, 10%, 50v, Ceramic.	3198 017 03320	3441	Res, 100 ohm, 5%, 1/10W, Metallized G	
2911	Cap, 3n3, 10%, 50v, Ceramic.	3198 017 03320		lass	3198 021 51010
2950	Cap, 330p, 5%, 50v, Ceramic.	3198 016 33310	3442	Res, Zero ohm, Chip Jumper	3198 021 90020
3000	Res, 100 ohm, 5%, 1/6W, Carbon Film.	3198 011 01010	3443	Res, 1M, 5%, 1/10W, Metallized Glass	3198 021 51050
3001	Res, 100 ohm, 5%, 1/6W, Carbon Film.	3198 011 01010	3445	Res, 15K, 5%, 1/6W, Carbon Film. . .	3198 011 51530
3002	Res, Zero ohm, Chip Jumper	3198 021 90020	3446	Res, 5K6, 5%, 1/6W, Carbon Film. . .	3198 011 05620
3003	Res, 1K5, 5%, 1/16W, Metallized Glass	3198 021 31520	3447	Res, 180 ohm, 5%, 1/6W, Carbon Film.	3198 011 01810
3004	Res, 8K2, 5%, 1/16W, Metallized Glass	3198 021 38220	3448	Res, 820 ohm, 5%, 1/6W, Carbon Film.	3198 011 08210
3005	Res, 100 ohm, 5%, 1/6W, Carbon Film.	3198 011 01010	3449	Res, 68 ohm, 5%, 1/6W, Carbon Film .	3198 011 06890
3101	Res, 68 ohm, 5%, 1/6W, Carbon Film .	3198 011 06890	3450	Res, 33 ohm, 5%, 1/6W, Carbon Film .	3198 011 03390
3102	Res, 1K, 5%, 1/16W, Metallized Glass	3198 021 31020	S 3451	Res, 10 ohm, 5%, 1/3W, Metal Film. .	2306 204 03109
3103	Res, 150 ohm, 5%, 1/6W, Carbon Film.	3198 011 01510	S 3451	Res, 2R7 ohm, 5%, 1/3W, Metal Film .	2306 204 03278
3104	Res, 220K, 5%, 1/16W, Metallized Glas	3198 021 32240		lass	2312 915 15602
3105	Res, 150 ohm, 5%, 1/6W, Carbon Film.	3198 011 01510	3452	Res, 5K6, 1%, 3/5W, Metal Film . . .	2312 915 13573
3106	Res, 220K, 5%, 1/16W, Metallized Glas	3198 021 32240	3453	Res, 1K, 5%, 1/6W, Carbon Film . . .	3198 011 01020
3111	Res, 75 ohm, 5%, 1/6W, Carbon Film .	3198 011 07590	3454	Res, 24K, 1%, 3/5W, Metal Film . . .	2312 915 12403
3112	Res, 100 ohm, 5%, 1/6W, Carbon Film.	3198 011 01010	3455	Res, 6R8, 5%, 1 1/3W, Metal Film . .	3198 012 26880
3113	Res, 75 ohm, 5%, 1/6W, Carbon Film .	3198 011 07590	3458	Res, 1K, 5%, 1/6W, Carbon Film . . .	3198 011 01020

S = Safety Part Be sure to use exact replacement part.

32PS55S321 (continued)

3459	Res, 15K, 5%, 1 1/3W, Metal Film . .	3198 012 21530	3605	Res, 4K7, 5%, 1/16W, Metallized Glass	3198 021 34720
3460	Res, 3K9, 5%, 1/6W, Carbon Film. . .	3198 011 03920	3606	Res, 2K2, 5%, 1/6W, Carbon Film. . .	3198 011 02220
3463	Res, 33 ohm, 5%, 1/6W, Carbon Film . .	3198 011 03390	3607	Res, 2K2, 5%, 1/6W, Carbon Film. . .	3198 011 02220
3465	Res, 27K, 1%, 3/5W, Metal Film . . .	2312 915 12703	3608	Res, 100 ohm, 5%, 1/6W, Carbon Film.	3198 011 01010
3468	Res, 180 ohm, 5%, 1/6W, Carbon Film.	3198 011 01810	3609	Res, 1K, 5%, 1/6W, Carbon Film. . .	3198 011 01020
3469	Res, 3K3, 5%, 1/6W, Carbon Film. . .	3198 011 03320	3610	Res, 8K2, 5%, 1/6W, Carbon Film. . .	3198 011 08220
3470	Res, 150K, 5%, 1/10W, Glass (Used w/C RT A80ECK272X56)	3198 021 51540	3611	Res, 100 ohm, 5%, 1/16W, Metallized G lass	3198 021 31010
3470	Res, 390K, 5%, 1/8W, Glass (Used w/CR T A80QCF340X34(N))	2322 730 61394	3618	Res, 6K8, 5%, 1/6W, Carbon Film. . .	3198 011 06820
3471	Res, 3R9, 1%, 3/5W, Metal Film (Used w/CRT A80QCF340X34(N))	2312 915 13908	3622	Res, 100 ohm, 5%, 1/10W, Metallized G lass	3198 021 51010
3471	Res, 4R7, 1%, 3/5W, Metal Film (Used w/CRT A80ECK272X56)	2312 915 14708	3623	Res, 4K7, 5%, 1/16W, Metallized Glass	3198 021 34720
3472	Res, 3R9, 1%, 3/5W, Metal Film (Used w/CRT A80QCF340X34(N))	2312 915 13908	3624	Res, 100 ohm, 5%, 1/6W, Carbon Film.	3198 011 01010
3472	Res, 2R2, 1%, 3/5W, Metal Film (Used w/CRT A80ECK272X56)	2312 915 12208	3625	Res, 100 ohm, 5%, 1/6W, Carbon Film.	3198 011 01010
3473	Res, 3R3, 1%, 3/5W, Metal Film (Used w/CRT A80ECK272X56)	2312 915 13308	3626	Res, 4K7, 5%, 1/16W, Metallized Glass	3198 021 34720
3473	Res, 5R6, 1%, 3/5W, Metal Film (Used w/CRT A80QCF340X34(N))	2312 915 15608	3627	Res, 4K7, 5%, 1/16W, Metallized Glass	3198 021 34720
3474	Res, 2K2, 1%, 3/5W, Metal Film . . .	2312 915 12202	3628	Res, 10K, 5%, 1/16W, Metallized Glass	3198 021 31030
3475	Res, 2K2, 1%, 3/5W, Metal Film . . .	2312 915 12202	3630	Res, 2K2, 5%, 1/16W, Metallized Glass	3198 021 32220
3477	Res, 150 ohm, 5%, 1/6W, Carbon Film.	3198 011 01510	3632	Res, Zero ohm, Chip Jumper	3198 021 90020
3478	Res, 150 ohm, 5%, 1/6W, Carbon Film.	3198 011 01510	3634	Res, 100 ohm, 5%, 1/6W, Carbon Film.	3198 011 01010
3479	Res, 2K7, 5%, 1/10W, Metallized Glass	3198 021 52720	3635	Res, 100 ohm, 5%, 1/6W, Carbon Film.	3198 011 01010
3480	Res, 1R5, 5%, 1/4W, Carbon Film. . .	2120 101 74158	3636	Res, 100 ohm, 5%, 1/10W, Metallized G lass	3198 021 51010
3481	Res, 15K, 1%, 3/5W, Metal Film . . .	2312 915 11503	3638	Res, 75 ohm, 5%, 1/16W, Metallized Gl ass.	3198 021 37590
3482	Res, 6K8, 1%, 3/5W, Metal Film . . .	2312 915 16802	3639	Res, Zero ohm, Chip Jumper	3198 021 90020
3484	Res, 3K9, 5%, 1/6W, Carbon Film. . .	3198 011 03920	3685	Res, 560 ohm, 5%, 1/16W, Metallized G lass	3198 021 35610
3486	Res, 33 ohm, 5%, 2 1/2W, Metal Film.	3198 012 33390	3691	Res, 330 ohm, 5%, 1/16W, Metallized G lass	3198 021 33310
3488	Res, 4R7, 5%, 1/2W, Metal Film . . .	2306 207 03478	3693	Res, 220 ohm, 5%, 1/16W, Metallized G lass	3198 021 32210
3490	Res, 8K2, 5%, 1/6W, Carbon Film. . .	3198 011 08220	3694	Res, 4K7, 5%, 1/16W, Metallized Glass	3198 021 34720
3492	Res, 1k, 5%, Carbon.	3198 021 51020	3801	Res, 220 ohm, 5%, 1/6W, Carbon Film.	3198 011 02210
3493	Res, 2R2, 5%, 1/3W, Metal Film . . .	2306 204 03228	3802	Res, 1K, 5%, 1/6W, Carbon Film . . .	3198 011 01020
3494	Res, 4R7, 5%, 1/2W, Metal Film . . .	2306 207 03478	3809	Res, 75 ohm, 5%, 1/16W, Metallized Gl ass.	3198 021 37590
3495	Res, 22K, 5%, Carbon	3198 021 52230	3810	Res, 75 ohm, 5%, 1/16W, Metallized Gl ass.	3198 021 37590
3496	Res, 100K, 5%, 1/10W, Metallized Glas	3198 021 51040	3831	Res, 47K, 5%, 1/16W, Metallized Glass	3198 021 34730
3497	Res, 100K, 5%, 1/10W, Metallized Glas	3198 021 51040	3832	Res, 100 ohm, 5%, 1/6W, Carbon Film.	3198 011 01010
3498	Res, 12K, 5%, 1/10W, Metallized Glass	3198 021 51230	3833	Res, 100 ohm, 5%, 1/6W, Carbon Film.	3198 011 01010
3499	Res, 10K, 5%, Carbon	3198 021 51030	3836	Res, 1K, 5%, 1/16W, Metallized Glass	3198 021 31020
S 3500	Res, 3M3, 5%, 1/2W, Metallized Glass	2322 242 13335	3837	Res, 100 ohm, 5%, 1/6W, Carbon Film.	3198 011 01010
S 3501	Res, 3M3, 5%, 1/2W, Metallized Glass	2322 242 13335	3838	Res, 1K, 5%, 1/16W, Metallized Glass	3198 021 31020
3504	Res, 3 ohm, +30%/-20%, 144v, PTC, Car bon Film	2122 663 00019	3839	Res, 100 ohm, 5%, 1/6W, Carbon Film.	3198 011 01010
S 3506	Res, 1M5, 5%, 1/2W, Metallized Glass	2322 242 13155	3843	Res, 2K2, 5%, 1/16W, Metallized Glass	3198 021 32220
S 3507	Surge Protector, DSP-301N-A21F A . .	2422 549 43073	3901	Res, 1K, 5%, 1/16W, Metallized Glass	3198 021 31020
S 3508	Res, 220 ohm, 20%, 1/2W, Carbon Film	3198 013 02210	3902	Res, 3K3, 5%, 1/16W, Metallized Glass	3198 021 33320
3510	Res, 4.7 ohm, 20%, 3W1, NTC, Carbon F ilm.	2122 612 00056	3903	Res, 3K3, 5%, 1/16W, Metallized Glass	3198 021 33320
3519	Res, 270 ohm, 5%, 1/6W, Carbon Film.	3198 011 02710	3904	Res, 10K, 5%, 1/16W, Metallized Glass	3198 021 31030
3520	Res, 1K2, 5%, 1/10W, Metallized Glass	3198 021 51220	3905	Res, 3K3, 5%, 1/16W, Metallized Glass	3198 021 33320
3521	Res, 4R7, 5%, 1/6W, Carbon Film. . .	3198 011 04780	3906	Res, 10K, 5%, 1/16W, Metallized Glass	3198 021 31030
3522	Res, 330K, 5%, 1/10W, Metallized Glas	3198 021 53340	3907	Res, 8K2, 5%, 1/16W, Metallized Glass	3198 021 38220
S 3523	Res, 100 ohm, 5%, 1/3W, Metal Film . .	2306 204 03101	4001	Res, Zero ohm, Chip Jumper	3198 021 90020
3524	Res, 56K, 5%, 1/10W, Metallized Glass	3198 021 55630	4002	Res, Zero ohm, Chip Jumper	3198 021 90020
3525	Res, 1k, 5%, Carbon.	3198 021 51020	4181	Res, Zero ohm, Chip Jumper	3198 021 90020
3526	Res, 0R1, 5%, 3/5W, Metal Film . . .	3198 012 11070	4209	Res, Zero ohm, Chip Jumper	3198 021 90020
3527	Res, 0R33, 5%, 3/5W, Metal Film. . .	3198 012 13370	4216	Res, Zero ohm, Chip Jumper	3198 021 90020
3528	Res, Zero ohm, Chip Jumper	3198 021 90020	4217	Res, Zero ohm, Chip Jumper	3198 021 90020
3529	Res, 47K, 5%, 1/10W, Metallized Glass	3198 021 54730	4401	Res, Zero ohm, Chip Jumper	3198 021 90020
3530	Res, 10K, 5%, Carbon	3198 021 51030	4402	Res, Zero ohm, Chip Jumper	3198 021 90020
3531	Res, 4K7, 5%, 1/10W, Metallized Glass	3198 021 54720	4430	Res, Zero ohm, Chip Jumper	3198 021 90020
S 3532	Res, 2K2, 5%, 1/3W, Metal Film . . .	2306 204 03222	4500	Res, Zero ohm, Chip Jumper	3198 021 90020
3541	Res, 470 ohm, 5%, 1/10W, Metallized G lass	3198 021 54710	4601	Res, Zero ohm, Chip Jumper	3198 021 90020
3542	Res, 1K5, 5%, 1/10W, Metallized Glass	3198 021 51520	4613	Res, Zero ohm, Chip Jumper	3198 021 90020
3543	Res, 82K, 1%, 3/5W, Metal Film . . .	2312 915 18203	4614	Res, Zero ohm, Chip Jumper	3198 021 90020
3544	Res, 4K7, 1%, 1/10W, Metallized Glass	2120 108 92624	4615	Res, Zero ohm, Chip Jumper	3198 021 90020
3545	Res, 270K, 5%, 1/10W, Metallized Glas	2120 108 91725	4617	Res, Zero ohm, Chip Jumper	3198 021 90020
3548	Res, 15K, 5%, 1/10W, Metallized Glass	3198 021 51530	4619	Res, Zero ohm, Chip Jumper	3198 021 90020
3552	Res, 4K7, 5%, 1/10W, Metallized Glass	3198 021 54720	4622	Res, Zero ohm, Chip Jumper	3198 021 90020
3557	Res, 1k, 5%, Carbon.	3198 021 51020	4623	Res, Zero ohm, Chip Jumper	3198 021 90020
3560	Res, 47 ohm, 5%, 1/6W, Carbon Film . .	3198 011 04790	4691	Res, Zero ohm, Chip Jumper	3198 021 90020
3561	Res, 100 ohm, 5%, 1/6W, Carbon Film.	3198 011 01010	4692	Res, Zero ohm, Chip Jumper	3198 021 90020
3562	Res, 12K, 5%, 1/10W, Metallized Glass	3198 021 51230	4693	Res, Zero ohm, Chip Jumper	3198 021 90020
3563	Res, 5K6, 5%, 1/10W, Metallized Glass	3198 021 55620	4801	Res, Zero ohm, Chip Jumper	3198 021 90020
3564	Res, 0R1, 5%, 1 1/3W, Metal Film . . .	3198 012 21070	4831	Res, Zero ohm, Chip Jumper	3198 021 90020
3565	Res, 330 ohm, 5%, 1W, Metal Film . . .	3198 012 13310	4833	Res, Zero ohm, Chip Jumper	3198 021 90020
3566	Res, 2K2, 5%, 1/10W, Metallized Glass	3198 021 52220	4835	Res, Zero ohm, Chip Jumper	3198 021 90020
3567	Res, 1K8, 5%, 1/16W, Metallized Glass	3198 021 31820	4901	Res, Zero ohm, Chip Jumper	3198 021 90020
3568	Res, 8K2, 5%, 1/10W, Metallized Glass	3198 021 58220	4903	Res, Zero ohm, Chip Jumper	3198 021 90020
3569	Res, 5K6, 5%, 1/10W, Metallized Glass	3198 021 55620	4982	Res, Zero ohm, Chip Jumper	3198 021 90020
3580	Res, 47K, 5%, 1/10W, Metallized Glass	3198 021 54730	5001	Coil, 27u.	3198 018 22790
3594	Res, 330 ohm, 5%, 1/10W, Metallized G lass	3198 021 53310	5002	Coil, 820n	3198 018 18270
3595	Res, 220K, 5%, 1/10W, Metallized Glas	3198 021 52240	5201	Coil, 6u8.	3198 018 16880
3596	Res, 220K, 5%, 1/10W, Metallized Glas	3198 021 52240	5202	Coil, 10u.	3198 018 21090
3601	Res, 8K2, 5%, 1/6W, Carbon Film. . .	3198 011 08220	5204	Fixed, Inductor, 100MHZ, 80 ohm. . . .	3198 018 90020
3603	Res, 100 ohm, 5%, 1/6W, Carbon Film.	3198 011 01010	5205	Fixed, Inductor, 100MHZ, 80 ohm. . . .	3198 018 90020
3604	Res, 100 ohm, 5%, 1/6W, Carbon Film.	3198 011 01010	5206	Wire Jumper, 0.58MM.	3198 036 90010
			5241	Coil, 10u.	3198 018 21090
			5242	Coil, 10u.	3198 018 11090
			5401	Coil, 1m	3198 018 71020

S = Safety Part. Be sure to use exact replacement part.

32PS55S321 (continued)

S 5445	Transformer, LOT PSL0T 29''	3128	138	21421	7471	IC, TDA8359J/N2.	9352	701	64112
5451	Coil, 33u.	3198	018	73390	7480	Transistor, NPN, BD135	3198	020	41010
5452	Fixed, Inductor, 100MHz, 80 ohm.	3198	018	90020	7482	Transistor, NPN, BD135	3198	020	41010
5457	Linear Correction Coil (Used w/CRT A8 0ECK272X56).	3128	138	53201	S 7515	Optical Coupler, TCET1104(G)	9322	175	72667
5457	Linear Correction Coil (Used w/CRT A8 0QCF340X34(N))	3128	138	55881	7520	IC, TEA1507P/N1.	9352	673	56112
5461	Transformer, Signal Driver, SC10015-0 0 B.	2422	531	02478	7521	FET Power STP8NC50FP	9322	160	72687
5463	Coil, Choke.	3128	138	37021	7522	Transistor, NPN, BC847B(COL)	3198	010	42030
5471	Coil, 3u3.	3198	018	73380	7540	Transistor, NPN, BC547B(COL)	3198	020	40030
5472	Coil, 3u3.	3198	018	23380	7541	Transistor, NPN, PDTCL14ET	9340	310	10215
5480	Coil, 47u (Used w/CRT A80ECK272X56).	2422	535	97337	7542	Transistor, PNP, BC857B(COL)	3198	010	42150
5480	Coil, 4u7 (Used w/CRT A80QCF340X34(N))	2422	535	94213	7560	IC, L78L33ACZ.	9322	134	92676
S 5501	Filter, Mains, 5mH, 2A	2422	549	43432	7561	Transistor, NPN, PDTCL143ZT	9340	547	00215
S 5520	Transformer, SMT Layer, SS39009-04 B	2422	531	02459	7562	Transistor, PNP, BC857B(COL)	3198	010	42150
5521	Fixed, Inductor, 100MHz, 50R.	3198	018	90010	7564	Transistor, PNP, BC857B(COL)	3198	010	42150
5560	Fixed, Inductor, 100MHz, 50R.	3198	018	90010	7580	Transistor, PNP, BC857B(COL)	3198	010	42150
5561	Coil, 27u.	3198	018	22790	7602	IC, M24C08-WBN6.	9322	154	38682
5562	Fixed, Inductor, 100MHz, 50R.	3198	018	90010	7606	Transistor, NPN, PDTCL143ZT	9340	547	00215
5564	Fixed, Inductor, 100MHz, 50R.	3198	018	90010	7801	IC, SM HEF4052BT	9333	729	50653
5602	Coil, 5u6.	3198	018	15680	7802	IC, SM HEF4052BT	9333	729	60653
5603	Coil, 5u6.	3198	018	15680	7831	IC, MSP3445G-PO-B8	9322	160	81682
5604	Coil, 5u6.	3198	018	15680	7901	IC, AN7522N.	9322	158	65667
5831	Coil, 6u8.	3198	018	16880	9001	Wire Jumper, 0.58MM.	3198	036	90010
5832	Coil, 6u8.	3198	018	16880	9101	Wire Jumper, 0.58MM.	3198	036	90010
5833	Coil, 6u8.	3198	018	16880	9102	Wire Jumper, 0.58MM.	3198	036	90010
5835	Coil, 12u.	3198	018	31290	9103	Wire Jumper, 0.58MM.	3198	036	90010
6001	Zener Diode, 33 volt	3198	010	23390	9171	Wire Jumper, 0.58MM.	3198	036	90010
6006	Diode, Signal, 1N4148.	3198	010	10010	9172	Wire Jumper, 0.58MM.	3198	036	90010
6007	Diode, Signal, 1N4148.	3198	010	10010	9173	Wire Jumper, 0.58MM.	3198	036	90010
6150	Diode, Signal, BAS316.	3198	010	10630	9175	Wire Jumper, 0.58MM.	3198	036	90010
6201	Diode, Signal, BAS316.	3198	010	10630	9176	Wire Jumper, 0.58MM.	3198	036	90010
6202	Diode, Signal, BAS316.	3198	010	10630	9178	Wire Jumper, 0.58MM.	3198	036	90010
6206	Zener Diode, 6.8 volt.	3198	020	56880	9179	Wire Jumper, 0.58MM.	3198	036	90010
6400	Res, 1K, 1%, 3/5W, Metal Film.	2312	915	11002	9181	Wire Jumper, 0.58MM.	3198	036	90010
6401	Zener Diode, 47 volt	3198	010	24790	9182	Wire Jumper, 0.58MM.	3198	036	90010
6445	Zener Diode, 10 volt	3198	020	51090	9183	Wire Jumper, 0.58MM.	3198	036	90010
6447	Diode, Signal, 1N4148.	3198	010	10010	9192	Wire Jumper, 0.58MM.	3198	036	90010
6448	Zener Diode, 6.2 volt.	9331	668	30133	9193	Wire Jumper, 0.58MM.	3198	036	90010
6449	Diode, Signal, BAV99	3198	010	10620	9406	Wire Jumper, 0.58MM.	3198	036	90010
6460	Diode, Rect, DG3-7005L	9336	436	10682	9407	Wire Jumper, 0.58MM.	3198	036	90010
6461	Diode, Rect, RGP30J-L7004.	9338	617	60682	9408	Wire Jumper, 0.58MM.	3198	036	90010
6462	Zener Diode, 9.1 volt.	9331	177	80133	9409	Wire Jumper, 0.58MM.	3198	036	90010
6465	Diode, Signal, BAV21	3198	010	10070	9410	Wire Jumper, 0.58MM.	3198	036	90010
6466	Diode, Signal, BAV21	3198	010	10070	9411	Wire Jumper, 0.58MM.	3198	036	90010
6467	Diode, Signal, BAS316.	3198	010	10630	9412	Wire Jumper, 0.58MM.	3198	036	90010
6468	Diode, Signal, BAS316.	3198	010	10630	9413	Wire Jumper, 0.58MM.	3198	036	90010
6469	Diode, Rect, BYD33J	9337	234	20133	9414	Wire Jumper, 0.58MM.	3198	036	90010
6470	Diode, Signal, BAV99	3198	010	10620	9415	Wire Jumper, 0.58MM.	3198	036	90010
6476	Zener Diode, 15 volt	3198	010	21590	9416	Wire Jumper, 0.58MM.	3198	036	90010
6481	Zener Diode, 5.6 volt.	3198	010	25680	9417	Wire Jumper, 0.58MM.	3198	036	90010
6482	Zener Diode, 9.1 volt.	9331	177	80133	9418	Wire Jumper, 0.58MM.	3198	036	90010
6483	Zener Diode, 33 volt	3198	010	23390	9419	Wire Jumper, 0.58MM.	3198	036	90010
6485	Diode, Rect, BYD33J	9337	234	20133	9421	Wire Jumper, 0.58MM.	3198	036	90010
6486	Diode, Rect, EGP20DL-5100.	9322	164	42682	9422	Wire Jumper, 0.58MM.	3198	036	90010
6487	Diode, Rect, BYD33D	9337	234	00133	9423	Wire Jumper, 0.58MM.	3198	036	90010
6488	Diode, Rect, EGP20DL-5100.	9322	164	42682	9424	Wire Jumper, 0.58MM.	3198	036	90010
6500	Diode, Bridge Rect, GBU4JL-7002.	9322	132	55667	9425	Wire Jumper, 0.58MM.	3198	036	90010
6520	Diode, Rect, BYD33D	9337	234	00133	9426	Wire Jumper, 0.58MM.	3198	036	90010
6523	Diode, Signal, 1N4148.	3198	010	10010	9463	Wire Jumper, 0.58MM.	3198	036	90010
6524	Diode, Rect, 1N5062	3198	010	10120	9500	Wire Jumper, 0.58MM.	3198	036	90010
6525	Diode, Rect, 1N5062	3198	010	10120	9501	Wire Jumper, 0.58MM.	3198	036	90010
6526	Zener Diode, 22 volt	3198	020	52290	9503	Wire Jumper, 0.58MM.	3198	036	90010
6540	Zener Diode, 6.2 volt.	9331	668	30133	S 9506	Wire Jumper, 0.58MM.	3198	036	90010
6541	Zener Diode, 9.1 volt.	9322	150	08685	S 9507	Wire Jumper, 0.58MM.	3198	036	90010
6560	Diode, Rect, BYV29X-500.	9340	555	59127	9510	Wire Jumper, 0.58MM.	3198	036	90010
6562	Diode, Rect, EGP20DL-5100.	9322	164	42682	9512	Wire Jumper, 0.58MM.	3198	036	90010
6563	Diode, Signal, BAS316.	3198	010	10630	9513	Wire Jumper, 0.58MM.	3198	036	90010
6565	Diode, Signal, BAV70	9331	849	10215	9514	Wire Jumper, 0.58MM.	3198	036	90010
6566	Diode, Signal, 1N4148.	3198	010	10010	9515	Wire Jumper, 0.58MM.	3198	036	90010
6569	Diode, Signal, BAS316.	3198	010	10630	9516	Wire Jumper, 0.58MM.	3198	036	90010
6570	Zener Diode, 6.8 volt.	3198	020	56880	9518	Wire Jumper, 0.58MM.	3198	036	90010
6580	Diode, Signal, BAS316.	3198	010	10630	9520	Wire Jumper, 0.58MM.	3198	036	90010
6691	LED, VS LTL-10224WHCR.	9322	050	99682	9521	Wire Jumper, 0.58MM.	3198	036	90010
6692	IR, Receiver, TSOP1836UH3V	9322	127	54667	9522	Wire Jumper, 0.58MM.	3198	036	90010
6831	Diode, Signal, 1N4148.	3198	010	10010	9524	Wire Jumper, 0.58MM.	3198	036	90010
6901	Res, Zero ohm, Chip Jumper	3198	021	90020	9525	Wire Jumper, 0.58MM.	3198	036	90010
7101	Transistor, NPN, BC847B.	3198	010	42030	9528	Wire Jumper, 0.58MM.	3198	036	90010
7102	Transistor, PNP, BC857B.	3198	010	42150	9610	Wire Jumper, 0.58MM.	3198	036	90010
7103	Transistor, NPN, BC847B.	3198	010	42030	9611	Coil, 27u.	3198	018	22790
7200	IC, SM TDA9588H/N1/3	9352	716	35557	9612	Wire Jumper, 0.58MM.	3198	036	90010
7201	Transistor, NPN, BC847B.	3198	010	42030	9613	Wire Jumper, 0.58MM.	3198	036	90010
7204	Transistor, PNP, BC857B.	3198	010	42150	9614	Wire Jumper, 0.58MM.	3198	036	90010
7205	Transistor, PNP, BC857B.	3198	010	42150	9615	Wire Jumper, 0.58MM.	3198	036	90010
7400	FET, Power, STP3NC60FP	9322	157	37687	9616	Wire Jumper, 0.58MM.	3198	036	90010
7441	Transistor, PNP, BC857B.	3198	010	42150	9617	Wire Jumper, 0.58MM.	3198	036	90010
7443	Transistor, PNP, BC557B.	3198	020	40110	9618	Wire Jumper, 0.58MM.	3198	036	90010
7460	Transistor, NPN, BU4508DX.	9340	550	92127	9619	Wire Jumper, 0.58MM.	3198	036	90010
7461	Transistor, NPN, BC337-25.	3198	020	43530	9620	Wire Jumper, 0.58MM.	3198	036	90010
7462	Transistor, NPN, PDTCL143ZT	9340	547	00215	9621	Wire Jumper, 0.58MM.	3198	036	90010
7463	Transistor, PNP, BC327-25.	3198	020	43430	9622	Wire Jumper, 0.58MM.	3198	036	90010

S = Safety Part Be sure to use exact replacement part.

32PS55S321 (continued)

3092	Res, 390 ohm, 5%, 1/16W, Metallized Glass	3198	021	33910
3093	Res, 560 ohm, 5%, 1/16W, Metallized Glass	3198	021	35610
3094	Res, 390 ohm, 5%, 1/16W, Metallized Glass	3198	021	33910
3095	Res, 3K3, 5%, 1/16W, Metallized Glass	3198	021	33320
3096	Res, 1K5, 5%, 1/16W, Metallized Glass	3198	021	31520
4092	Res, Zero ohm, 'Chip' Jumper	3198	021	90030
6091	Diode, Signal.	9340	453	90115

32PS55S331 - Manual no. 7629

Cabinet & Accessory Parts

	Cabinet & Accessory Parts			
S AC01	AC Cord	3135	010	05051
AC03	Battery, Zinc, 1.5V (2-Pack)	9299	000	65263
AC04	Cabinet Back	3139	124	42311
AC07	Chassis Tray	3139	124	31324
AC09	Clip, Anode Lead	3135	014	04471
S AC10	CRT, A80ECK272X56	9301	795	00428
S AC12	Degaussing Coil	2422	549	43977
AC13	Holder, Degaussing (4 Used)	3135	013	01661
AC15	Jack Panel Bracket Assembly	3139	124	42322
AC16	Owner's Manual	3121	235	20561
AC16b	Quick Use Guide	3121	233	40911
AC20	Cabinet Front Assembly - Model 32PS55			
	S331	3121	237	52881
AC20A	Cabinet Front	3139	138	19211
AC20d	Light Guide	3139	124	26361
AC20E	Nameplate	3141	050	00141
AC20F	Power Button	3139	177	54881
AC20J	Speaker, 16R, 5W (2 Used)	2422	264	00371
REMOTE	Remote Transmitter, RC19036001/01	3139	228	86492

Main Chassis Assembly Parts

	Main Chassis Assembly Parts			
0127	Socket, Fuse	2422	088	00271
0211	Connector, 2 Pin	2422	025	16269
S 0212	Connector, 2 Pin	2422	025	16375
0219	Connector, 6 Pin	2422	025	12482
S 0220	Connector, 5 Pin	2422	025	04853
S 0221	Connector, 4 Pin	2422	025	15503
S 0222	Connector, 2 Pin	2422	025	10646
0223	Socket, Cinch, 9 Pin	2422	026	05236
0225	Socket, MDIN, 10 Pin	2422	026	04926
0239	Connector, 3 Pin	2422	025	16382
S 0243	Connector, 6 Pin	2422	025	04854
0246	Connector, 5 Pin	2422	025	12481
0267	Connector, 3 Pin	2412	020	00725
0269	Socket, Cinch, 3 Pin	2422	026	05182
1000	Tuner, V+U, PLL	2422	542	90108
1002	SAW Filter, 45MHz75, OFWM1971M	2422	549	44518
1200	Filter, Ceramic, 4MHz5	2422	549	40807
S 1500	Fuse, 4A, 250V, 1EC	2422	086	10914
S 1515	Relay, 12V, 5A G5PA-1	2422	132	07444
1606	Switch, Tactile	2422	128	02742
1660	Crystal, 12MHz000	2422	543	01203
1831	Crystal, Resonator, 18MHz432, 12 Pin, HC49/U A	2422	543	00842
2004	Cap, 47n, 10%, 16v, Ceramic	3198	017	34730
2005	Cap, 10u, 20%, 50v, Electrolytic	3198	025	51090
2006	Cap, 470u, 20%, 16v, Electrolytic	3198	025	24710
2007	Cap, 100n, +80/-20%, 25v, Ceramic	3198	023	41040
2008	Cap, 100u, 20%, 25v, Electrolytic	3198	025	31010
2009	Cap, 22n, 10%, 25v, Ceramic	3198	017	32230
2101	Cap, 470n, +80/-20%, 16v, Ceramic	3198	017	24740
2102	Cap, 22p, 5%, 50v, Ceramic	3198	016	02290
2103	Cap, 330p, 10%, 50v, Ceramic	3198	017	33310
2104	Cap, 330p, 10%, 50v, Ceramic	3198	017	33310
2105	Cap, 10u, 20%, 50v, Electrolytic	3198	025	51090
2106	Cap, 10u, 20%, 50v, Electrolytic	3198	025	51090
2111	Cap, 22p, 5%, 50v, Ceramic	3198	016	02290
2112	Cap, 22p, 5%, 50v, Ceramic	3198	016	02290
2113	Cap, 22p, 5%, 50v, Ceramic	3198	016	02290
2121	Cap, 22p, 5%, 50v, Ceramic	3198	016	02290
2122	Cap, 330p, 10%, 50v, Ceramic	3198	017	33310
2123	Cap, 2u2, +80/-20%, 10v, Ceramic	3198	017	22250
2124	Cap, 330p, 10%, 50v, Ceramic	3198	017	33310
2125	Cap, 2u2, +80/-20%, 10v, Ceramic	3198	017	22250
2131	Cap, 330p, 10%, 50v, Ceramic	3198	017	33310
2132	Cap, 2u2, +80/-20%, 10v, Ceramic	3198	017	22250
2133	Cap, 330p, 10%, 50v, Ceramic	3198	017	33310
2134	Cap, 2u2, +80/-20%, 10v, Ceramic	3198	017	22250
2135	Cap, 22p, 5%, 50v, Ceramic	3198	016	02290
2136	Cap, 22p, 5%, 50v, Ceramic	3198	016	02290
2141	Cap, 330p, 10%, 50v, Ceramic	3198	017	33310
2143	Cap, 100n, +80/-20%, 25v, Ceramic	3198	023	41040
2150	Cap, 150n, 10%, 16v, Ceramic	2238	780	15652
2181	Cap, 22p, 5%, 50v, Ceramic	3198	016	02290
2184	Cap, 2u2, +80/-20%, 10v, Ceramic	3198	017	22250
2201	Cap, 100n, +80/-20%, 25v, Ceramic	3198	023	21040
2202	Cap, 100n, +80/-20%, 25v, Ceramic	3198	023	21040
2203	Cap, 100n, +80/-20%, 25v, Ceramic	3198	023	21040
2204	Cap, 100n, +80/-20%, 25v, Ceramic	3198	023	41040
2205	Cap, 220n, +80/-20%, 25v, Ceramic	3198	023	22240
2208	Cap, 100n, +80/-20%, 25v, Ceramic	3198	023	41040
2209	Cap, 10u, 20%, 50v, Electrolytic	3198	025	51090
2210	Cap, 1u, +80/-20%, 16v, Ceramic	3198	017	21050
2211	Cap, 470n, +80/-20%, 16v, Ceramic	3198	017	24740
2213	Cap, 22n, 10%, 50v, Ceramic	3198	017	02230
2214	Cap, 22n, 10%, 50v, Ceramic	3198	017	02230
2215	Cap, 22n, 10%, 50v, Ceramic	3198	017	02230
2216	Cap, 1000u, 20%, 16v, Electrolytic	3198	026	21020
2217	Cap, 22n, 10%, 25v, Ceramic	3198	017	32230

2219	Cap, 220n, +80/-20%, 25v, Ceramic	3198	023	22240
2220	Cap, 470n, 10%, 50v, Polyester	3198	014	04740
2221	Cap, 22n, 10%, 50v, Ceramic	3198	017	02230
2241	Cap, 1n5, 10%, 50v, Ceramic	3198	017	31520
2242	Cap, 1u, +80/-20%, 10v, Ceramic	3198	017	41050
2243	Cap, 2n2, 10%, 50v, Ceramic	3198	017	02220
2244	Cap, 100n, 5%, 63v, Metalized Polyester	2222	370	76104
2245	Cap, 470n, +80/-20%, 16v, Ceramic	3198	017	24740
2247	Cap, 1000u, 20%, 16v, Electrolytic	3198	026	21020
2248	Cap, 22n, 10%, 50v, Ceramic	3198	017	02230
2249	Cap, 22n, 10%, 25v, Ceramic	3198	017	32230
2250	Cap, 2u2, 20%, 50v, Electrolytic	3198	025	52280
2252	Cap, 1n, 5%, 50v, Ceramic	3198	016	01020
2253	Cap, 1n, 5%, 50v, Ceramic	3198	016	01020
2254	Res, Zero ohm, "Chip" Jumper	3198	021	90020
2401	Cap, 2u2, 20%, 50v, Electrolytic	2020	021	90552
2402	Cap, 470p, 10%, 500v, Ceramic	3198	019	44710
2404	Cap, 47u, 20%, 50v, Electrolytic	3198	025	54790
2405	Cap, 220u, 20%, 25v, Electrolytic	3198	025	32210
2415	Cap, 330p, 10%, 50v, Ceramic	3198	017	03310
2441	Cap, 1u, 20%, 50v, Electrolytic	3198	025	51080
2443	Cap, 47n, +80/-20%, 50v, Ceramic	3198	017	24730
2444	Cap, 1u, 20%, 50v, Electrolytic	3198	025	51080
2450	Cap, 47u, 20%, 160v, Electrolytic	2020	021	91139
2451	Cap, 15n, 10%, 50v, Polyester	3198	014	01530
2452	Cap, 180p, 5%, 50v, Ceramic	3198	016	01810
2455	Cap, 47u, 20%, 25v, Electrolytic	3198	025	34790
2457	Cap, 430n, 5%, 250v, Metalized Polypropylene	2222	479	90022
2458	Cap, 2u2, 20%, 100v, Electrolytic	2020	021	91331
2459	Cap, 680p, 10%, 500v, Ceramic	3198	019	46810
2460	Cap, 100p, 5%, 50v, Ceramic	3198	016	01010
2463	Cap, 680p, 10%, 2000v, Ceramic	2020	558	90485
2464	Cap, 2u2, 5%, 160v, Metalized Polypropylene	2222	479	90042
2465	Cap, 13n, 5%, 1600v, Polypropylene	2222	375	90157
2466	Cap, 15n, 10%, 400v, Polyester	2222	347	90219
2468	Cap, 10n, 10%, 400v, Polyester	2222	347	90218
2471	Cap, 100n, 10%, 50v, Polyester	3198	014	01040
2472	Cap, 150n, 10%, 63v, Polyester	2222	365	75154
2473	Cap, 100n, 10%, 63v, Polyester	2222	365	75104
2474	Cap, 2n2, 10%, 50v, Ceramic	3198	017	02220
2475	Cap, 2n2, 10%, 50v, Ceramic	3198	017	02220
2476	Cap, 4n7, 10%, 50v, Ceramic	3198	017	04720
2480	Cap, 47u, 20%, 25v, Electrolytic	2020	021	90586
2481	Cap, 470p, 10%, 500v, Ceramic	3198	019	44710
2482	Cap, 68n, 10%, 250v, Polyester	2222	347	90234
2485	Cap, 4u7, 20%, 250v, Electrolytic	2020	021	90856
2486	Cap, 470u, 20%, 16v, Electrolytic	2020	021	91577
2487	Cap, 47u, 20%, 50v, Electrolytic	2020	021	90854
2488	Cap, 1000u, 20%, 16v, Electrolytic	2020	021	91049
2489	Cap, 470u, 20%, 16v, Electrolytic	2020	021	91577
2491	Cap, 1n, 10%, 500v, Ceramic	3198	019	41020
S 2500	Cap, 470n, 20%, 275v, Polypropylene	2022	330	00018
2501	Cap, 2n2, 10%, 1000v, Ceramic	3198	019	52220
2502	Cap, 2n2, 10%, 1000v, Ceramic	3198	019	52220
2503	Cap, 470u, 20%, 200v, Electrolytic	2020	024	90626
2505	Cap, 2n2, 10%, 1000v, Ceramic	3198	019	52220
2507	Cap, 470p, 10%, 50v, Ceramic	3198	017	04710
2508	Cap, 470p, 10%, 1000v, Ceramic	3198	019	64710
S 2515	Cap, 1n5, 20%, v, Ceramic	2020	554	90128
2520	Cap, 100n, 10%, 16v, Ceramic	3198	017	01040
2521	Cap, 22u, 20%, 50v, Electrolytic	3198	025	52290
2522	Cap, 100n, 10%, 16v, Ceramic	3198	017	01040
2523	Cap, 1n5, 10%, 2000v, Ceramic	2020	558	90489
2525	Cap, 470p, 10%, 50v, Ceramic	3198	017	04710
2527	Cap, 2n2, 10%, 50v, Ceramic	3198	017	02220
2528	Cap, 1n, 10%, 50v, Ceramic	3198	017	01020
2540	Cap, 10n, 10%, 50v, Ceramic	3198	017	01030
2541	Cap, 10n, 10%, 50v, Ceramic	3198	017	01030
2560	Cap, 680p, 10%, 1000v, Ceramic	3198	019	66810
2561	Cap, 100u, 20%, 160v, Electrolytic	2020	021	91654
2562	Cap, 1n, 10%, 50v, Ceramic	3198	019	11020
2563	Cap, 100n, 10%, 50v, Polyester	3198	014	01040
2564	Cap, 2u2, 20%, 25v, Electrolytic	2020	021	91353
2567	Cap, 47u, 20%, 25v, Electrolytic	3198	025	34790
2568	Cap, 1u, 20%, 50v, Electrolytic	3198	025	51080
2580	Cap, 47u, 20%, 16v, Electrolytic	3198	028	24790
2581	Cap, 22u, 20%, 50v, Electrolytic	3198	025	52290
2601	Cap, 220n, +80/-20%, 25v, Ceramic	3198	023	22240

32PS55S331 (continued)

2691	Cap, 220u, 20%, 25v, Electrolytic	3198 025 32210	3209	Res, 68 ohm, 5%, 1/16W, Metalized Gla	
2801	Cap, 22u, 20%, 50v, Electrolytic	3198 025 52290		ss.	3198 021 36890
2802	Cap, 220n, +80/-20%, 16v, Ceramic	3198 017 42240	3212	Res, 470 ohm, 5%, 1/16W, Metalized Gl	
2804	Cap, 2u2, +80/-20%, 10v, Ceramic	3198 017 22250		ass.	3198 021 34710
2805	Res, Zero ohm, "Chip" Jumper	3198 021 90020	3213	Res, 560 ohm, 5%, 1/6W, Carbon Film.	3198 011 05610
2806	Res, Zero ohm, "Chip" Jumper	3198 021 90020	3217	Res, 330K, 5%, 1/16W, Metalized Glass	3198 021 33340
2831	Cap, 1p, 25%, 50v, Ceramic	3198 016 31080	3218	Res, 82K, 5%, 1/10W, Metalized Glass	3198 021 58230
2832	Cap, 1p, 25%, 50v, Ceramic	3198 016 31080	3219	Res, 2K2, 5%, 1/16W, Metalized Glass	3198 021 32220
2833	Cap, 47p, 5%, 50v, Ceramic	3198 016 34790	3220	Res, 100 ohm, 5%, 1/6W, Carbon Film.	3198 011 01010
2834	Cap, 470p, 5%, 50v, Ceramic	3198 016 34710	3221	Res, 560 ohm, 5%, 1/6W, Carbon Film.	3198 011 05610
2835	Cap, 220p, 5%, 50v, Ceramic	3198 016 32210	3222	Res, 100 ohm, 5%, 1/6W, Carbon Film.	3198 011 01010
2836	Cap, 1n5, 10%, 50v, Ceramic	3198 017 31520	3226	Res, 560 ohm, 5%, 1/16W, Metalized Gl	
2837	Cap, 4u7, 20%, 50v, Electrolytic	3198 025 54780		ass.	3198 021 35610
2840	Cap, 100n, +80/-20%, 25v, Ceramic	3198 023 41040	3235	Res, 100 ohm, 5%, 1/6W, Carbon Film.	3198 011 01010
2841	Cap, 10u, 20%, 50v, Electrolytic	3198 025 51090	3241	Res, 22K, 5%, 1/10W, Metalized Glass	3198 021 52230
2842	Cap, 100n, +80/-20%, 25v, Ceramic	3198 023 41040	3242	Res, 12K, 5%, 1/10W, Metalized Glass	3198 021 51230
2843	Cap, 10u, 20%, 50v, Electrolytic	3198 025 51090	3244	Res, 820 ohm, 5%, 1/6W, Carbon Film.	3198 011 08210
2844	Cap, 10u, 20%, 50v, Electrolytic	3198 025 51090	3245	Res, 39K, 1%, 1/8W, Metalized Glass.	2322 734 63903
2845	Cap, 100n, +80/-20%, 25v, Ceramic	3198 023 41040	3246	Res, 10K, 5%, 1/10W, Metalized Glass	3198 021 51030
2846	Cap, 100u, 20%, 25v, Electrolytic	3198 025 31010	3247	Res, 470K, 5%, 1/10W, Metalized Glass	3198 021 54740
2849	Cap, 1n, 5%, 25v, Ceramic	3198 016 31020	3248	Res, 33K, 5%, 1/10W, Metalized Glass	3198 021 53330
2850	Cap, 1n, 5%, 25v, Ceramic	3198 016 31020	3249	Res, 820 ohm, 5%, 1/6W, Carbon Film.	3198 011 08210
2851	Res, Zero ohm, "Chip" Jumper	3198 021 90020	3250	Res, 8K2, 5%, 1/6W, Carbon Film.	3198 011 08220
2852	Cap, 1n, 5%, 25v, Ceramic	3198 016 31020	3251	Res, 100 ohm, 5%, 1/6W, Carbon Film.	3198 011 01010
2853	Res, Zero ohm, "Chip" Jumper	3198 021 90020	3256	Res, 1K, 5%, 1/10W, Metalized Glass.	3198 021 51020
2854	Cap, 1n, 5%, 25v, Ceramic	3198 016 31020	3257	Res, 10M, 5%, 1/10W, Metalized Glass	3198 021 51060
2855	Cap, 33p, 5%, 50v, Ceramic	3198 016 33390	3258	Res, 100K, 5%, 1/10W, Metalized Glass	3198 021 51040
2856	Cap, 47p, 5%, 50v, Ceramic	3198 016 34790	3259	Res, 470K, 5%, 1/10W, Metalized Glass	3198 021 54740
2857	Cap, 150p, 5%, 50v, Ceramic	3198 016 31510	3400	Res, 330 ohm, 5%, 1/6W, Carbon Film.	3198 011 03310
2860	Cap, 180p, 5%, 50v, Ceramic	3198 016 01810	3401	Res, 33K, 5%, 1/6W, Carbon Film.	3198 011 03330
2894	Cap, 220p, 5%, 50v, Ceramic	3198 016 32210	3403	Res, 100K, 5%, 1/6W, Carbon Film.	3198 011 01040
2895	Cap, 560p, 5%, 25v, Ceramic	3198 016 35610	3404	Res, 1K, 5%, 1/6W, Carbon Film.	3198 011 01020
2897	Cap, 390p, 5%, 50v, Ceramic	3198 016 03910	3405	Res, 4R7, 5%, 1/6W, Carbon Film.	3198 011 04780
2898	Cap, 10n, 10%, 50v, Ceramic	3198 017 31030	3406	Res, 4R7, 5%, 1/6W, Carbon Film.	3198 011 04780
2902	Cap, 1000u, 20%, 16v, Electrolytic	3198 026 21020	3408	Res, 100 ohm, 5%, 1/6W, Carbon Film.	3198 011 01010
2903	Cap, 1u, 20%, 50v, Electrolytic	3198 025 51080	3410	Res, 10K, 5%, 1/6W, Carbon Film.	3198 011 01030
2904	Cap, 470n, +80/-20%, 16v, Ceramic	3198 017 24740	3411	Res, 4R7, 5%, 1/3W, Metal Film.	2306 204 03478
2905	Cap, 1n, 10%, 50v, Ceramic	3198 017 01020	3441	Res, 100 ohm, 5%, 1/10W, Metalized Gl	
2906	Cap, 470n, +80/-20%, 16v, Ceramic	3198 017 24740		ass.	3198 021 51010
2907	Cap, 1n, 10%, 50v, Ceramic	3198 017 01020	3442	Res, Zero ohm, "Chip" Jumper	3198 021 90020
2908	Cap, 10u, 20%, 50v, Electrolytic	3198 025 51090	3443	Res, 1M, 5%, 1/10W, Metalized Glass.	3198 021 51050
2910	Cap, 3n3, 10%, 50v, Ceramic	3198 017 03320	3445	Res, 15K, 5%, 1/6W, Carbon Film.	3198 011 01530
2911	Cap, 3n3, 10%, 50v, Ceramic	3198 017 03320	3446	Res, 5K6, 5%, 1/6W, Carbon Film.	3198 011 05620
2950	Cap, 330p, 5%, 50v, Ceramic	3198 016 33310	3447	Res, 180 ohm, 5%, 1/6W, Carbon Film.	3198 011 01810
3000	Res, 100 ohm, 5%, 1/6W, Carbon Film.	3198 011 01010	3448	Res, 820 ohm, 5%, 1/6W, Carbon Film.	3198 011 08210
3001	Res, 100 ohm, 5%, 1/6W, Carbon Film.	3198 011 01010	3449	Res, 68 ohm, 5%, 1/6W, Carbon Film.	3198 011 06890
3002	Res, Zero ohm, "Chip" Jumper	3198 021 90020	3450	Res, 33 ohm, 5%, 1/6W, Carbon Film.	3198 011 03390
3003	Res, 1K5, 5%, 1/16W, Metalized Glass	3198 021 31520	S 3451	Res, 10 ohm, 5%, 1/3W, Metal Film.	2306 204 03109
3004	Res, 8K2, 5%, 1/10W, Metalized Glass	3198 021 58220	3452	Res, 5K6, 1%, 3/5W, Metal Film.	2312 915 15602
3005	Res, 100 ohm, 5%, 1/6W, Carbon Film.	3198 011 01010	3453	Res, 1K, 5%, 1/6W, Carbon Film.	3198 011 01020
3101	Res, 68 ohm, 5%, 1/6W, Carbon Film.	3198 011 06890	3454	Res, 2K, 1%, 3/5W, Metal Film.	2312 915 12002
3102	Res, 1K, 5%, 1/10W, Metalized Glass.	3198 021 51020	3455	Res, 6R8, 5%, 1 1/3W, Metal Film.	3198 012 26880
3103	Res, 150 ohm, 5%, 1/6W, Carbon Film.	3198 011 01510	3458	Res, 1K, 5%, 1/6W, Carbon Film.	3198 011 01020
3104	Res, 220K, 5%, 1/10W, Metalized Glass	3198 021 52240	3459	Res, 15K, 5%, 1 1/3W, Metal Film.	3198 012 21530
3105	Res, 150 ohm, 5%, 1/6W, Carbon Film.	3198 011 01510	3460	Res, 3K9, 5%, 1/6W, Carbon Film.	3198 011 03920
3106	Res, 220K, 5%, 1/10W, Metalized Glass	3198 021 52240	3463	Res, 33 ohm, 5%, 1/6W, Carbon Film.	3198 011 03390
3111	Res, 75 ohm, 5%, 1/6W, Carbon Film.	3198 011 07590	3465	Res, 27K, 1%, 3/5W, Metal Film.	2312 915 12703
3112	Res, 100 ohm, 5%, 1/6W, Carbon Film.	3198 011 01010	3468	Res, 180 ohm, 5%, 1/6W, Carbon Film.	3198 011 01810
3113	Res, 75 ohm, 5%, 1/6W, Carbon Film.	3198 011 07590	3469	Res, 3K3, 5%, 1/6W, Carbon Film.	3198 011 03320
3114	Res, 100 ohm, 5%, 1/6W, Carbon Film.	3198 011 01010	3470	Res, 150K, 5%, 1/10W, Metalized Glass	3198 021 51540
3115	Res, 75 ohm, 5%, 1/6W, Carbon Film.	3198 011 07590	3471	Res, 4R7, 1%, 3/5W, Metal Film.	2312 915 14708
3116	Res, 100 ohm, 5%, 1/6W, Carbon Film.	3198 011 01010	3472	Res, 2R2, 1%, 3/5W, Metal Film.	2312 915 12208
3122	Wire Jumper, 0.58MM.	3198 036 90010	3473	Res, 3R3, 1%, 3/5W, Metal Film.	2312 915 13308
3123	Res, 150 ohm, 5%, 1/6W, Carbon Film.	3198 011 01510	3474	Res, 2K2, 1%, 3/5W, Metal Film.	2312 915 12202
3124	Res, 47K, 5%, 1/16W, Metalized Glass	3198 021 34730	3475	Res, 2K2, 1%, 3/5W, Metal Film.	2312 915 12202
3125	Res, 150 ohm, 5%, 1/6W, Carbon Film.	3198 011 01510	3477	Res, 150 ohm, 5%, 1/6W, Carbon Film.	3198 011 01510
3126	Res, 47K, 5%, 1/16W, Metalized Glass	3198 021 34730	3478	Res, 150 ohm, 5%, 1/6W, Carbon Film.	3198 011 01510
3131	Res, 150 ohm, 5%, 1/6W, Carbon Film.	3198 011 01510	3479	Res, 2K7, 5%, 1/10W, Metalized Glass	3198 021 52720
3132	Res, 47K, 5%, 1/16W, Metalized Glass	3198 021 34730	3480	Res, 1R5, 5%, 1/4W, Carbon Film.	2120 101 74158
3133	Res, 150 ohm, 5%, 1/6W, Carbon Film.	3198 011 01510	3481	Res, 15K, 1%, 3/5W, Metal Film.	2312 915 11503
3134	Res, 47K, 5%, 1/16W, Metalized Glass	3198 021 34730	3482	Res, 6K8, 1%, 3/5W, Metal Film.	2312 915 16802
3135	Res, 75 ohm, 5%, 1/6W, Carbon Film.	3198 011 07590	3484	Res, 3K9, 5%, 1/6W, Carbon Film.	3198 011 03920
3136	Res, 100 ohm, 5%, 1/6W, Carbon Film.	3198 011 01010	3486	Res, 33 ohm, 5%, 2 1/2W, Metal Film.	3198 012 33390
3138	Wire Jumper, 0.58MM.	3198 036 90010	3488	Res, 4R7, 5%, 1/2W, Metal Film.	2306 207 03478
3141	Res, 1K, 5%, 1/6W, Carbon Film.	3198 011 01020	3490	Res, 8K2, 5%, 1/6W, Carbon Film.	3198 011 08220
3149	Res, 100K, 5%, 1/16W, Metalized Glass	3198 021 31040	3492	Res, 1K, 5%, 1/10W, Metalized Glass.	3198 021 51020
3150	Res, 150K, 5%, 1/16W, Metalized Glass	3198 021 31540	3493	Res, 2R2, 5%, 1/3W, Metal Film.	2306 204 03228
3154	Res, 5K6, 5%, 1/6W, Carbon Film.	3198 011 05620	3494	Res, 4R7, 5%, 1/2W, Metal Film.	2306 207 03478
3156	Res, 10K, 5%, 1/6W, Carbon Film.	3198 011 01030	3495	Res, 22K, 5%, 1/10W, Metalized Glass	3198 021 52230
3157	Res, 1K5, 5%, 1/16W, Metalized Glass	3198 021 31520	3496	Res, 100K, 5%, 1/10W, Metalized Glass	3198 021 51040
3158	Res, 10K, 5%, 1/10W, Metalized Glass	3198 021 51030	3497	Res, 100K, 5%, 1/10W, Metalized Glass	3198 021 51040
3159	Res, 1K2, 1%, 1/8W, Metalized Glass.	2322 734 61202	3498	Res, 12K, 5%, 1/10W, Metalized Glass	3198 021 51230
3200	Res, 390 ohm, 5%, 1/6W, Carbon Film.	3198 011 03910	3499	Res, 10K, 5%, 1/10W, Metalized Glass	3198 021 51030
3201	Res, 100 ohm, 5%, 1/6W, Carbon Film.	3198 011 01010	S 3500	Res, 3M3, 5%, 1/2W, Metalized Glass.	2322 242 13335
3202	Res, 100 ohm, 5%, 1/6W, Carbon Film.	3198 011 01010	S 3501	Res, 3M3, 5%, 1/2W, Metalized Glass.	2322 242 13335
3203	Res, 100 ohm, 5%, 1/6W, Carbon Film.	3198 011 01010	S 3504	PTC, DC, 120V,P3020 B.	2120 661 00025
3204	Res, 22K, 5%, 1/6W, Carbon Film.	3198 011 02230	S 3506	Res, 1M5, 5%, 1/2W, Metalized Glass.	2322 242 13155
3205	Res, 1K, 5%, 1/10W, Metalized Glass.	3198 021 51020	S 3507	Surge Protector.	2422 549 43073
3206	Res, 270K, 5%, 1/8W, Metalized Glass	2322 730 61274	S 3508	Res, 220 ohm, 20%, 1/2W, Carbon Film	3198 013 02210
3207	Res, 1K, 5%, 1/6W, Carbon Film.	3198 011 01020	S 3510	NTC, DC, B57237, 3W1, 4R7, 20%	2122 612 00056
3208	Res, 220 ohm, 5%, 1/16W, Metalized Gl		3519	Res, 270 ohm, 5%, 1/6W, Carbon Film.	3198 011 02710
	ass.	3198 021 32210	3520	Res, 1K2, 5%, 1/10W, Metalized Glass	3198 021 51220

S = Safety Part Be sure to use exact replacement part.

32PS55S331 (continued)

3521	Res, 4R7, 5%, 1/6W, Carbon Film. . .	3198 011 04780	4181	Res, Zero ohm, "Chip" Jumper	3198 021 90020
3522	Res, 330K, 5%, 1/10W, Metalized Glass	3198 021 53340	4209	Res, Zero ohm, "Chip" Jumper	3198 021 90020
S 3523	Res, 100 ohm, 5%, 1/3W, Metal Film . . .	2306 204 03101	4216	Res, Zero ohm, "Chip" Jumper	3198 021 90020
3524	Res, 56K, 5%, 1/10W, Metalized Glass	3198 021 55630	4217	Res, Zero ohm, "Chip" Jumper	3198 021 90020
3525	Res, 1K, 5%, 1/10W, Metalized Glass.	3198 021 51020	4401	Res, Zero ohm, "Chip" Jumper	3198 021 90020
3526	Res, 0R1, 5%, 3/5W, Metal Film	3198 012 11070	4402	Res, Zero ohm, "Chip" Jumper	3198 021 90020
3527	Res, 0R33, 5%, 3/5W, Metal Film. . . .	3198 012 13370	4430	Res, Zero ohm, "Chip" Jumper	3198 021 90020
3528	Res, Zero ohm, "Chip" Jumper	3198 021 90020	4500	Res, Zero ohm, "Chip" Jumper	3198 021 90020
3529	Res, 47K, 5%, 1/10W, Metalized Glass	3198 021 54730	4601	Res, Zero ohm, "Chip" Jumper	3198 021 90020
3530	Res, 10K, 5%, 1/10W, Metalized Glass	3198 021 51030	4613	Res, Zero ohm, "Chip" Jumper	3198 021 90020
3531	Res, 4K7, 5%, 1/10W, Metalized Glass	3198 021 54720	4614	Res, Zero ohm, "Chip" Jumper	3198 021 90020
S 3532	Res, 2K2, 5%, 1/3W, Metal Film	2306 204 03222	4615	Res, Zero ohm, "Chip" Jumper	3198 021 90020
3541	Res, 470 ohm, 5%, 1/10W, Metalized Gl ass.	3198 021 54710	4617	Res, Zero ohm, "Chip" Jumper	3198 021 90020
			4619	Res, Zero ohm, "Chip" Jumper	3198 021 90020
3542	Res, 1K5, 5%, 1/10W, Metalized Glass	3198 021 51520	4622	Res, Zero ohm, "Chip" Jumper	3198 021 90020
3543	Res, 82K, 1%, 3/5W, Metal Film	2312 915 18203	4623	Res, Zero ohm, "Chip" Jumper	3198 021 90020
3544	Res, 4K7, 1%, 1/8W, Metalized Glass.	2322 734 64702	4691	Res, Zero ohm, "Chip" Jumper	3198 021 90020
3545	Res, 270K, 5%, 1/8W, Metalized Glass	2322 730 61274	4692	Res, Zero ohm, "Chip" Jumper	3198 021 90020
3548	Res, 15K, 5%, 1/10W, Metalized Glass	3198 021 51530	4693	Res, Zero ohm, "Chip" Jumper	3198 021 90020
3552	Res, 4K7, 5%, 1/10W, Metalized Glass	3198 021 54720	4801	Res, Zero ohm, "Chip" Jumper	3198 021 90020
3557	Res, 1K, 5%, 1/10W, Metalized Glass.	3198 021 51020	4831	Res, Zero ohm, "Chip" Jumper	3198 021 90020
3561	Res, 100 ohm, 5%, 1/6W, Carbon Film.	3198 011 01010	4833	Res, Zero ohm, "Chip" Jumper	3198 021 90020
3562	Res, 12K, 5%, 1/10W, Metalized Glass	3198 021 51230	4835	Res, Zero ohm, "Chip" Jumper	3198 021 90020
3563	Res, 5K6, 5%, 1/10W, Metalized Glass	3198 021 55620	4901	Res, Zero ohm, "Chip" Jumper	3198 021 90020
3564	Res, 0R1, 5%, 1 1/3W, Metal Film . . .	3198 012 21070	4903	Res, Zero ohm, "Chip" Jumper	3198 021 90020
3565	Res, 330 ohm, 5%, 1W, Metal Film	3198 012 13310	4982	Res, Zero ohm, "Chip" Jumper	3198 021 90020
3566	Res, 2K2, 5%, 1/10W, Metalized Glass	3198 021 52220	5001	Coil, 27u.	3198 018 22790
3569	Res, 5K6, 5%, 1/10W, Metalized Glass	3198 021 55620	5002	Coil, 820n	3198 018 18270
3580	Res, 47K, 5%, 1/10W, Metalized Glass	3198 021 54730	5201	Coil, 6u8.	3198 018 16880
3594	Res, 330 ohm, 5%, 1/10W, Metalized Gl ass.	3198 021 53310	5202	Wire Jumper, 0.58MM.	3198 036 90010
			5204	Fixed, Inductor, 100MHZ, 80 ohm. . . .	3198 018 90020
3595	Res, 220K, 5%, 1/10W, Metalized Glass	3198 021 52240	5205	Fixed, Inductor, 100MHZ, 80 ohm. . . .	3198 018 90020
3596	Res, 220K, 5%, 1/10W, Metalized Glass	3198 021 52240	5206	Fixed, Inductor, 100MHZ, 80 ohm. . . .	3198 018 90020
3601	Res, 8K2, 5%, 1/6W, Carbon Film. . . .	3198 011 08220	5241	Wire Jumper, 0.58MM.	3198 036 90010
3603	Res, 100 ohm, 5%, 1/6W, Carbon Film.	3198 011 01010	5242	Coil, 10u.	3198 018 11090
3604	Res, 100 ohm, 5%, 1/6W, Carbon Film.	3198 011 01010	5401	Coil, 1m	3198 018 71020
3605	Res, 4K7, 5%, 1/10W, Metalized Glass	3198 021 54720	S 5445	Transformer, PSL0T	3128 138 21421
3606	Res, 2K2, 5%, 1/6W, Carbon Film. . . .	3198 011 02220	5451	Coil, 33u.	3198 018 73390
3607	Res, 2K2, 5%, 1/6W, Carbon Film. . . .	3198 011 02220	5452	Fixed, Inductor, 100MHZ, 80 ohm. . . .	3198 018 90020
3608	Res, 470 ohm, 5%, 1/6W, Carbon Film.	3198 011 04710	5457	Coil, Linear	3128 138 53201
3609	Res, 1K, 5%, 1/6W, Carbon Film	3198 011 01020	5461	Transformer, Signal Driver	2422 531 02478
3610	Res, 8K2, 5%, 1/6W, Carbon Film. . . .	3198 011 08220	5463	Coil, Choke.	3128 138 73021
3611	Res, 100 ohm, 5%, 1/16W, Metalized Gl ass.	3198 021 31010	5471	Coil, 3u3.	3198 018 37280
			5472	Coil, 3u3.	3198 018 23380
3618	Res, 6K8, 5%, 1/6W, Carbon Film. . . .	3198 011 06820	5480	Coil, 47u.	2422 535 97337
3622	Res, 470 ohm, 5%, 1/10W, Metalized Gl ass.	3198 021 54710	S 5501	Filter, Mains, 5mH, 2A	2422 549 43432
			S 5520	Transformer, Layer, SS39009-04 B	2422 531 02459
3623	Res, 4K7, 5%, 1/10W, Metalized Glass	3198 021 54720	5521	Fixed, Inductor, 100MHZ, 50R.	3198 018 90010
3624	Res, 100 ohm, 5%, 1/6W, Carbon Film.	3198 011 01010	5560	Fixed, Inductor, 100MHZ, 50R.	3198 018 90010
3625	Res, 100 ohm, 5%, 1/6W, Carbon Film.	3198 011 01010	5561	Coil, 27u.	3198 018 22790
3626	Res, 4K7, 5%, 1/10W, Metalized Glass	3198 021 54720	5562	Fixed, Inductor, 100MHZ, 50R.	3198 018 90010
3627	Res, 4K7, 5%, 1/10W, Metalized Glass	3198 021 54720	5564	Fixed, Inductor, 100MHZ, 50R.	3198 018 90010
3628	Res, 10K, 5%, 1/10W, Metalized Glass	3198 021 51030	5602	Coil, 5u6.	3198 018 15680
3630	Res, 2K2, 5%, 1/16W, Metalized Glass	3198 021 32220	5603	Coil, 5u6.	3198 018 15680
3632	Res, Zero ohm, "Chip" Jumper	3198 021 90020	5604	Coil, 5u6.	3198 018 15680
3634	Res, 100 ohm, 5%, 1/6W, Carbon Film.	3198 011 01010	5831	Coil, 6u8.	3198 018 16880
3635	Res, 100 ohm, 5%, 1/6W, Carbon Film.	3198 011 01010	5832	Coil, 6u8.	3198 018 16880
3636	Res, 100 ohm, 5%, 1/10W, Metalized Gl ass.	3198 021 51010	5833	Coil, 6u8.	3198 018 16880
			5835	Coil, 12u.	3198 018 31290
3638	Res, 75 ohm, 5%, 1/16W, Metalized Gla ss.	3198 021 37590	6001	Zener Diode, 33 volt	3198 010 23390
			6006	Diode, Signal, 1N4148.	3198 010 10010
3639	Res, Zero ohm, "Chip" Jumper	3198 021 90020	6007	Diode, Signal, 1N4148.	3198 010 10010
3685	Res, 560 ohm, 5%, 1/16W, Metalized Gl ass.	3198 021 35610	6150	Diode, Signal, BAS316.	3198 010 10630
			6201	Diode, Signal, BAS316.	3198 010 10630
3691	Res, 330 ohm, 5%, 1/16W, Metalized Gl ass.	3198 021 33310	6202	Diode, Signal, BAS316.	3198 010 10630
			6206	Zener Diode, 6.8 volt.	3198 020 56880
3693	Res, 220 ohm, 5%, 1/16W, Metalized Gl ass.	3198 021 32210	6400	Res, 1K, 1%, 3/5W, Metal Film.	2312 915 11002
			6401	Zener Diode, 47 volt	3198 010 24790
3694	Res, 4K7, 5%, 1/10W, Metalized Glass	3198 021 54720	6445	Zener Diode, 10 volt	3198 020 51090
3801	Res, 220 ohm, 5%, 1/6W, Carbon Film.	3198 011 02210	6447	Diode, Signal, 1N4148.	3198 010 10010
3802	Res, 1K, 5%, 1/6W, Carbon Film	3198 011 01020	6448	Zener Diode, 6.2 volt.	9331 668 30133
3809	Res, 75 ohm, 5%, 1/16W, Metalized Gla ss.	3198 021 37590	6449	Diode, Signal, BAV99	3198 010 10620
			6460	Diode, Rect, DG3-7005L.	9336 436 10682
3810	Res, 75 ohm, 5%, 1/16W, Metalized Gla ss.	3198 021 37590	6461	Diode, Rect, RGP30J-L7004	9338 617 60682
			6462	Zener Diode, 9.1 volt.	9331 177 80133
3831	Res, 47K, 5%, 1/16W, Metalized Glass	3198 021 34730	6465	Diode, Signal, BAV21	3198 010 10070
3832	Res, 100 ohm, 5%, 1/6W, Carbon Film.	3198 011 01010	6466	Diode, Signal, BAV21	3198 010 10070
3833	Res, 100 ohm, 5%, 1/6W, Carbon Film.	3198 011 01010	6467	Diode, Signal, BAS316.	3198 010 10630
3836	Res, 1K, 5%, 1/10W, Metalized Glass.	3198 021 51020	6468	Diode, Signal, BAS316.	3198 010 10630
3837	Res, 100 ohm, 5%, 1/6W, Carbon Film.	3198 011 01010	6469	Diode, Rect, BYD33J	9337 234 20133
3838	Res, 1K, 5%, 1/10W, Metalized Glass.	3198 021 51020	6470	Diode, Signal, BAV99	3198 010 10620
3839	Res, 100 ohm, 5%, 1/6W, Carbon Film.	3198 011 01010	6476	Zener Diode, 15 volt	3198 010 21590
3843	Res, 2K2, 5%, 1/16W, Metalized Glass	3198 021 32220	6481	Zener Diode, 5.6 volt.	3198 010 25680
3901	Res, 1K, 5%, 1/10W, Metalized Glass.	3198 021 51020	6482	Zener Diode, 9.1 volt.	9331 177 80133
3902	Res, 3K3, 5%, 1/10W, Metalized Glass	3198 021 53320	6483	Zener Diode, 33 volt	3198 010 23390
3903	Res, 3K3, 5%, 1/10W, Metalized Glass	3198 021 53320	6485	Diode, Rect, BYD33J	9337 234 20133
3904	Res, 10K, 5%, 1/10W, Metalized Glass	3198 021 51030	6486	Diode, Rect, EGP20DL-5100	9322 164 42682
3905	Res, 3K3, 5%, 1/10W, Metalized Glass	3198 021 53320	6487	Diode, Rect, BYD33D	9337 234 00133
3906	Res, 10K, 5%, 1/10W, Metalized Glass	3198 021 51030	6488	Diode, Rect, EGP20DL-5100	9322 164 42682
3907	Res, 8K2, 5%, 1/10W, Metalized Glass	3198 021 58220	6500	Diode, Bridge Rect, GBU4JL-7002	9322 132 55667
4001	Res, Zero ohm, "Chip" Jumper	3198 021 90020	6520	Diode, Rect, BYD33D	9337 234 00133
4002	Res, Zero ohm, "Chip" Jumper	3198 021 90020	6523	Diode, Signal, 1N4148.	3198 010 10010

S = Safety Part Be sure to use exact replacement part.

32PS55S331 (continued)

6524	Diode, Rect., 1N5062	3198 010 10120	9503	Wire Jumper, 0.58MM.	3198 036 90010
6525	Diode, Rect., 1N5062	3198 010 10120	9506	Wire Jumper, 0.58MM.	3198 036 90010
6526	Zener Diode, 22 volt	3198 020 52290	9507	Wire Jumper, 0.58MM.	3198 036 90010
6540	Zener Diode, 6.2 volt.	9331 668 30133	9510	Wire Jumper, 0.58MM.	3198 036 90010
6541	Zener Diode, 9.1 volt.	9322 150 08685	9512	Wire Jumper, 0.58MM.	3198 036 90010
6560	Diode, Rect., BYV29X-500	9340 555 59127	9513	Wire Jumper, 0.58MM.	3198 036 90010
6562	Diode, Rect., EGP20DL-5100	9322 164 42682	9514	Wire Jumper, 0.58MM.	3198 036 90010
6563	Diode, Signal, BAS316	3198 010 10630	9515	Wire Jumper, 0.58MM.	3198 036 90010
6565	Diode, Signal, BAV70	9331 849 10215	9516	Wire Jumper, 0.58MM.	3198 036 90010
6566	Diode, Signal, 1N4148.	3198 010 10010	9518	Wire Jumper, 0.58MM.	3198 036 90010
6569	Diode, Signal, BAS316.	3198 010 10630	9520	Wire Jumper, 0.58MM.	3198 036 90010
6570	Zener Diode, 6.8 volt.	3198 020 56880	9521	Wire Jumper, 0.58MM.	3198 036 90010
6580	Diode, Signal, BAS316.	3198 010 10630	9522	Wire Jumper, 0.58MM.	3198 036 90010
6691	LED, LTL-10224WHCR.	9322 050 99682	9524	Wire Jumper, 0.58MM.	3198 036 90010
6692	IR Receiver, TSOP1836UH3V	9322 127 54667	9525	Wire Jumper, 0.58MM.	3198 036 90010
6831	Diode, Signal, 1N4148.	3198 010 10010	9528	Wire Jumper, 0.58MM.	3198 036 90010
6901	Res, Zero ohm, "Chip" Jumper	3198 021 90020	9610	Wire Jumper, 0.58MM.	3198 036 90010
7101	Transistor, NPN, BC847B.	3198 010 42030	9611	Coil, 27u.	3198 018 22790
7102	Transistor, PNP, BC857B.	3198 010 42150	9612	Wire Jumper, 0.58MM.	3198 036 90010
7103	Transistor, NPN, BC847B.	3198 010 42030	9613	Wire Jumper, 0.58MM.	3198 036 90010
7200	IC, TDA9588H/N1/3/0833	9352 716 35557	9614	Wire Jumper, 0.58MM.	3198 036 90010
7201	Transistor, NPN, BC847B.	3198 010 42030	9615	Wire Jumper, 0.58MM.	3198 036 90010
7204	Transistor, PNP, BC857B.	3198 010 42150	9616	Wire Jumper, 0.58MM.	3198 036 90010
7205	Transistor, PNP, BC857B.	3198 010 42150	9617	Wire Jumper, 0.58MM.	3198 036 90010
7400	FET Power, STP3NC60FP.	9322 157 37687	9618	Wire Jumper, 0.58MM.	3198 036 90010
7441	Transistor, PNP, BC857B.	3198 010 42150	9619	Wire Jumper, 0.58MM.	3198 036 90010
7443	Transistor, PNP, BC557B.	3198 020 40110	9620	Wire Jumper, 0.58MM.	3198 036 90010
7460	Transistor, NPN, BU4508DX.	9340 550 92127	9621	Wire Jumper, 0.58MM.	3198 036 90010
7461	Transistor, NPN, BC337-25.	3198 020 43530	9622	Wire Jumper, 0.58MM.	3198 036 90010
7462	Transistor, NPN, PDT143ZT	9340 547 00215	9623	Wire Jumper, 0.58MM.	3198 036 90010
7463	Transistor, PNP, BC327-25.	3198 020 43430	9624	Wire Jumper, 0.58MM.	3198 036 90010
7471	IC, TDA8359J/N2.	9352 701 64112	9625	Wire Jumper, 0.58MM.	3198 036 90010
7480	Transistor, NPN, BD135	3198 020 41010	9626	Wire Jumper, 0.58MM.	3198 036 90010
7482	Transistor, NPN, BD135	3198 020 41010	9627	Wire Jumper, 0.58MM.	3198 036 90010
S 7515	Optic, Coupler, TCET1104(G).	9322 175 72667	9628	Wire Jumper, 0.58MM.	3198 036 90010
7520	IC, TEA1507P/N1.	9352 673 56112	9629	Wire Jumper, 0.58MM.	3198 036 90010
7521	FET Power, STP8NC50FP.	9322 160 72687	9630	Wire Jumper, 0.58MM.	3198 036 90010
7522	Transistor, NPN, BC847B.	3198 010 42030	9631	Wire Jumper, 0.58MM.	3198 036 90010
7540	Transistor, NPN, BC547B.	3198 020 40030	9632	Wire Jumper, 0.58MM.	3198 036 90010
7541	Transistor, NPN, PDT144ET	9340 310 10215	9633	Wire Jumper, 0.58MM.	3198 036 90010
7542	Transistor, PNP, BC857B.	3198 010 42150	9634	Wire Jumper, 0.58MM.	3198 036 90010
7560	IC, L78L33ACZ.	9322 134 92676	9637	Wire Jumper, 0.58MM.	3198 036 90010
7561	Transistor, NPN, PDT143ZT	9340 547 00215	9638	Wire Jumper, 0.58MM.	3198 036 90010
7580	Transistor, PNP, BC857B.	3198 010 42150	9639	Wire Jumper, 0.58MM.	3198 036 90010
7602	IC, M24C08-WBN6.	9322 154 38682	9640	Wire Jumper, 0.58MM.	3198 036 90010
7606	Transistor, NPN, PDT143ZT	9340 547 00215	9641	Wire Jumper, 0.58MM.	3198 036 90010
7801	IC, HEF4052BT.	9333 729 50653	9642	Wire Jumper, 0.58MM.	3198 036 90010
7802	IC, HEF4053BT.	9333 729 60653	9643	Wire Jumper, 0.58MM.	3198 036 90010
7831	IC, MSP3445G-PO-B8	9322 160 81682	9644	Wire Jumper, 0.58MM.	3198 036 90010
7901	IC, AN7522N	9322 181 41682	9645	Wire Jumper, 0.58MM.	3198 036 90010
9001	Wire Jumper, 0.58MM.	3198 036 90010	9646	Wire Jumper, 0.58MM.	3198 036 90010
9101	Wire Jumper, 0.58MM.	3198 036 90010	9648	Wire Jumper, 0.58MM.	3198 036 90010
9102	Wire Jumper, 0.58MM.	3198 036 90010	9650	Wire Jumper, 0.58MM.	3198 036 90010
9103	Wire Jumper, 0.58MM.	3198 036 90010	9654	Wire Jumper, 0.58MM.	3198 036 90010
9171	Wire Jumper, 0.58MM.	3198 036 90010	9655	Wire Jumper, 0.58MM.	3198 036 90010
9172	Wire Jumper, 0.58MM.	3198 036 90010	9656	Wire Jumper, 0.58MM.	3198 036 90010
9173	Wire Jumper, 0.58MM.	3198 036 90010	9657	Wire Jumper, 0.58MM.	3198 036 90010
9175	Wire Jumper, 0.58MM.	3198 036 90010	9658	Wire Jumper, 0.58MM.	3198 036 90010
9176	Wire Jumper, 0.58MM.	3198 036 90010	9659	Wire Jumper, 0.58MM.	3198 036 90010
9178	Wire Jumper, 0.58MM.	3198 036 90010	9660	Wire Jumper, 0.58MM.	3198 036 90010
9179	Wire Jumper, 0.58MM.	3198 036 90010	9661	Wire Jumper, 0.58MM.	3198 036 90010
9181	Wire Jumper, 0.58MM.	3198 036 90010	9662	Wire Jumper, 0.58MM.	3198 036 90010
9182	Wire Jumper, 0.58MM.	3198 036 90010	9663	Wire Jumper, 0.58MM.	3198 036 90010
9183	Wire Jumper, 0.58MM.	3198 036 90010	9664	Wire Jumper, 0.58MM.	3198 036 90010
9192	Wire Jumper, 0.58MM.	3198 036 90010	9665	Wire Jumper, 0.58MM.	3198 036 90010
9193	Wire Jumper, 0.58MM.	3198 036 90010	9666	Wire Jumper, 0.58MM.	3198 036 90010
9406	Wire Jumper, 0.58MM.	3198 036 90010	9668	Wire Jumper, 0.58MM.	3198 036 90010
9407	Wire Jumper, 0.58MM.	3198 036 90010	9669	Wire Jumper, 0.58MM.	3198 036 90010
9408	Wire Jumper, 0.58MM.	3198 036 90010	9670	Wire Jumper, 0.58MM.	3198 036 90010
9409	Wire Jumper, 0.58MM.	3198 036 90010	9672	Coil, 27u.	2422 535 95366
9410	Wire Jumper, 0.58MM.	3198 036 90010	9674	Wire Jumper, 0.58MM.	3198 036 90010
9411	Wire Jumper, 0.58MM.	3198 036 90010	9675	Wire Jumper, 0.58MM.	3198 036 90010
9412	Wire Jumper, 0.58MM.	3198 036 90010	9676	Wire Jumper, 0.58MM.	3198 036 90010
9413	Wire Jumper, 0.58MM.	3198 036 90010	9678	Coil, 27u.	2422 535 95366
9414	Wire Jumper, 0.58MM.	3198 036 90010	9679	Wire Jumper, 0.58MM.	3198 036 90010
9415	Wire Jumper, 0.58MM.	3198 036 90010	9680	Wire Jumper, 0.58MM.	3198 036 90010
9416	Wire Jumper, 0.58MM.	3198 036 90010	9683	Wire Jumper, 0.58MM.	3198 036 90010
9417	Wire Jumper, 0.58MM.	3198 036 90010	9685	Wire Jumper, 0.58MM.	3198 036 90010
9418	Wire Jumper, 0.58MM.	3198 036 90010	9686	Wire Jumper, 0.58MM.	3198 036 90010
9419	Wire Jumper, 0.58MM.	3198 036 90010	9687	Wire Jumper, 0.58MM.	3198 036 90010
9421	Wire Jumper, 0.58MM.	3198 036 90010	9688	Wire Jumper, 0.58MM.	3198 036 90010
9422	Wire Jumper, 0.58MM.	3198 036 90010	9689	Wire Jumper, 0.58MM.	3198 036 90010
9423	Wire Jumper, 0.58MM.	3198 036 90010	9690	Wire Jumper, 0.58MM.	3198 036 90010
9424	Wire Jumper, 0.58MM.	3198 036 90010	9691	Wire Jumper, 0.58MM.	3198 036 90010
9425	Wire Jumper, 0.58MM.	3198 036 90010	9694	Wire Jumper, 0.58MM.	3198 036 90010
9426	Wire Jumper, 0.58MM.	3198 036 90010	9695	Wire Jumper, 0.58MM.	3198 036 90010
9427	Wire Jumper, 0.58MM.	3198 036 90010	9697	Wire Jumper, 0.58MM.	3198 036 90010
9453	Wire Jumper, 0.58MM.	3198 036 90010	9698	Wire Jumper, 0.58MM.	3198 036 90010
9460	Wire Jumper, 0.58MM.	3198 036 90010	9699	Wire Jumper, 0.58MM.	3198 036 90010
9463	Wire Jumper, 0.58MM.	3198 036 90010	9821	Wire Jumper, 0.58MM.	3198 036 90010
9500	Wire Jumper, 0.58MM.	3198 036 90010	9822	Wire Jumper, 0.58MM.	3198 036 90010
9501	Wire Jumper, 0.58MM.	3198 036 90010	9823	Wire Jumper, 0.58MM.	3198 036 90010

S = Safety Part. Be sure to use exact replacement part.

32PS55S331 (continued)

9824	Wire Jumper, 0.58MM.	3198 036 90010	1093	Tact Switch.	2422 128 02742
9825	Wire Jumper, 0.58MM.	3198 036 90010	1094	Tact Switch.	2422 128 02742
9827	Wire Jumper, 0.58MM.	3198 036 90010	3091	Res, 560 ohm, 5%, 1/16W, Metallized Glass	3198 021 35610
9828	Wire Jumper, 0.58MM.	3198 036 90010	3092	Res, 390 ohm, 5%, 1/16W, Metallized Glass	3198 021 33910
9829	Wire Jumper, 0.58MM.	3198 036 90010	3093	Res, 560 ohm, 5%, 1/16W, Metallized Glass	3198 021 35610
9830	Wire Jumper, 0.58MM.	3198 036 90010	3094	Res, 390 ohm, 5%, 1/16W, Metallized Glass	3198 021 33910
9831	Wire Jumper, 0.58MM.	3198 036 90010	3095	Res, 3K3, 5%, 1/16W, Metallized Glass	3198 021 33320
9832	Wire Jumper, 0.58MM.	3198 036 90010	3096	Res, 1K5, 5%, 1/16W, Metallized Glass	3198 021 31520
9833	Wire Jumper, 0.58MM.	3198 036 90010	4092	Res, Zero ohm, 'Chip' Jumper	3198 021 90030
9834	Wire Jumper, 0.58MM.	3198 036 90010	6091	Diode, Signal.	9340 453 90115
9835	Wire Jumper, 0.58MM.	3198 036 90010			
9836	Wire Jumper, 0.58MM.	3198 036 90010			
9837	Wire Jumper, 0.58MM.	3198 036 90010			
9838	Wire Jumper, 0.58MM.	3198 036 90010			
9839	Wire Jumper, 0.58MM.	3198 036 90010			
9840	Wire Jumper, 0.58MM.	3198 036 90010			
9841	Wire Jumper, 0.58MM.	3198 036 90010			
9842	Wire Jumper, 0.58MM.	3198 036 90010			
9843	Wire Jumper, 0.58MM.	3198 036 90010			
9844	Wire Jumper, 0.58MM.	3198 036 90010			
9845	Wire Jumper, 0.58MM.	3198 036 90010			
9846	Wire Jumper, 0.58MM.	3198 036 90010			
9847	Wire Jumper, 0.58MM.	3198 036 90010			
9849	Wire Jumper, 0.58MM.	3198 036 90010			
9851	Wire Jumper, 0.58MM.	3198 036 90010			
9901	Wire Jumper, 0.58MM.	3198 036 90010			
9902	Wire Jumper, 0.58MM.	3198 036 90010			
9903	Wire Jumper, 0.58MM.	3198 036 90010			
9904	Wire Jumper, 0.58MM.	3198 036 90010			
9905	Wire Jumper, 0.58MM.	3198 036 90010			
9911	Wire Jumper, 0.58MM.	3198 036 90010			
9912	Wire Jumper, 0.58MM.	3198 036 90010			
9913	Wire Jumper, 0.58MM.	3198 036 90010			
9914	Wire Jumper, 0.58MM.	3198 036 90010			
9915	Wire Jumper, 0.58MM.	3198 036 90010			
9916	Wire Jumper, 0.58MM.	3198 036 90010			
9918	Wire Jumper, 0.58MM.	3198 036 90010			
9919	Wire Jumper, 0.58MM.	3198 036 90010			
9920	Wire Jumper, 0.58MM.	3198 036 90010			
9921	Wire Jumper, 0.58MM.	3198 036 90010			
9991	Wire Jumper, 0.58MM.	3198 036 90010			
9994	Wire Jumper, 0.58MM.	3198 036 90010			
9996	Wire Jumper, 0.58MM.	3198 036 90010			
9998	Wire Jumper, 0.58MM.	3198 036 90010			
CBA	Main Chassis Assembly.	3139 187 25681			

CRT Panel Parts (Part of Main Chassis)

CRT Panel Parts (Part of Main Chassis)					
S 0244	Connector, 5 Pin	2422 025 04853			
S 0245	Connector, 6 Pin	2422 025 04854			
S 0254	Socket, CRT, 9 Pin, N-Neck	2422 500 80076			
2330	Cap, 100n, 10%, 250v, Metalized Polypropylene	2222 368 90177			
2340	Cap, 10u, 20%, 250v, Electrolytic.	2020 012 93495			
2341	Cap, 3n3, 10%, 500v, Ceramic	3198 019 43320			
2342	Cap, 560p, 5%, 50v, Ceramic.	3198 016 05610			
2343	Cap, 3n3, 10%, 2000v, Ceramic.	2020 558 90529			
2344	Cap, 100n, ?20%, 25v, Ceramic.	3198 023 21040			
2345	Cap, 1n, 10%, 500v, Ceramic.	3198 019 41020			
3331	Res, 100 ohm, 5%, 1/6W, Carbon Film.	3198 011 01010			
3332	Res, 1K, 20%, 1/2W, Carbon Film.	3198 013 01020			
3333	Res, 100 ohm, 5%, 1/6W, Carbon Film.	3198 011 01010			
3334	Res, 1K, 20%, 1/2W, Carbon Film.	3198 013 01020			
3335	Res, 100 ohm, 5%, 1/6W, Carbon Film.	3198 011 01010			
3336	Res, 1K, 20%, 1/2W, Carbon Film.	3198 013 01020			
S 3340	Res, 10 ohm, 5%, 1/2W, Metal Film.	2306 207 03109			
S 3341	Res, 1 ohm, 5%, 1/3W, Metal Film	2306 204 03108			
S 3342	Res, 1 ohm, 5%, 1/3W, Metal Film	2306 204 03108			
3343	Res, 1K5, 20%, 1/2W, Carbon Film	3198 013 01520			
3344	Res, 22 ohm, 5%, 1/6W, Carbon Film	3198 011 02290			
S 3345	VDR, DC, 1mA, 50V, MAX, 115V	2322 593 13507			
3346	Res, 22 ohm, 5%, 1/6W, Carbon Film	3198 011 02290			
3347	Res, Zero ohm, "Chip" Jumper	3198 021 90020			
3350	Res, Zero ohm, "Chip" Jumper	3198 021 90020			
3353	Res, Zero ohm, "Chip" Jumper	3198 021 90020			
5342	Coil, 15u.	2422 535 97331			
6331	Diode, Signal, BAV21	3198 010 10070			
6332	Diode, Signal, BAS316.	3198 010 10630			
6333	Diode, Signal, BAV21	3198 010 10070			
6335	Diode, Signal, BAV21	3198 010 10070			
7330	IC, TDA6107JF/N3	9352 713 37112			
9311	Wire Jumper, 0.58MM.	3198 036 90010			
9341	Wire Jumper, 0.58MM.	3198 036 90010			
9342	Wire Jumper, 0.58MM.	3198 036 90010			
9343	Wire Jumper, 0.58MM.	3198 036 90010			

Top Control Panel Parts - 313913722091

Top Control Panel Parts - 313913722091					
CBA	Top Control Panel Assembly	3139 137 22091			
0215	3 Pin Connector.	2422 025 09191			
1091	Tact Switch.	2422 128 02742			
1092	Tact Switch.	2422 128 02742			

S = Safety Part Be sure to use exact replacement part.

32PS60B321 - Manual no. 7629

Cabinet & Accessory Parts

Cabinet & Accessory Parts

Main Chassis Assembly Parts

7200 IC, SM TDA9563H/N1/3/0485. 4835 310 57624

Cabinet & Accessory Parts

S AC01 Mainscord, 125V, 10A 3135 010 03831
 AC03 Battery, Zinc, 1.5V (2-Pack) 9299 000 65263
 AC04 Cabinet, Back. 3139 124 35191
 AC07 Chassis Tray 3139 124 31324
 AC09 Clip, Anode Lead 3135 014 04471
 S AC10 CRT A80QCF340X34(N). 9301 904 59463
 AC11 Customer Control Buttons 3139 124 32711
 AC12 Coil, Degaussing 2422 549 45334
 AC13 Holder, Degaussing (4 Used). 3135 013 01661
 AC16 Owner's Manual 3121 235 20111
 AC20 Cabinet, Front Assembly. 3121 237 51841
 AC20A Cabinet, Front - Model 32PS60B321. 3139 137 71501
 AC20D Light Guide. 3139 124 32681
 AC20E Nameplate. 3139 120 01301
 AC20J Speaker, 16R, 5W (2 Used). 2422 264 00371
 AC22 Spring 3139 121 26231
 REMOTE Remote Transmitter, RC19041001/01. 3139 228 86501

Main Chassis Assembly Parts

Main Chassis Assembly Parts

1000 Tuner, V+U PLL 2422 542 90098
 0122 Heatsink, Vertical 3139 121 62213
 0123 Heatsink, Audio. 3139 121 62501
 0124 Heatsink, SOPS 3139 121 62201
 0127 Socket, Fuse 2422 088 00271
 0129 NTC, Holder. 3139 120 10151
 0136 IC-Spring. 3104 301 22081
 0137 Spring 3139 121 24581
 0138 IC-Spring. 3104 301 22081
 0139 Spring for Bracket 3122 121 24786
 0140 Spring 3139 121 24581
 0141 IC-Spring. 3104 301 22081
 0152 Cable, DIPMATE, 6 Pin 560mm 3139 121 08951
 0153 Cable, 5 Pin, 560mm. 3139 121 09041
 0211 Connector, 2 Pin 2422 025 16269
 S 0212 Connector, 2 Pin 2422 025 16375
 0217 Connector, 5 Pin 2422 025 12481
 0219 Connector, 6 Pin 2422 025 12482
 S 0220 Connector, 5 Pin 2422 025 04853
 S 0221 Connector, 4 Pin 2422 025 15503
 S 0222 Connector, 2 Pin 2422 025 10646
 0223 Socket, Cinch, 9 Pin 2422 026 05236
 0225 Socket, MDIN, 10 Pin 2422 026 04926
 0226 Connector, 4 Pin 2422 025 12479
 0229 Connector, 7 Pin 2422 025 11244
 0240 Connector, 4 Pin 2422 025 12479
 0242 Connector, 5 Pin 2422 025 12481
 S 0243 Connector, 6 Pin 2422 025 04854
 0246 Connector, 5 Pin 2422 025 12481
 0267 Connector, 3 Pin 2412 020 00725
 0269 Socket, Cinch, 3 Pin 2422 026 05182
 0284 Connector, 4 Pin 2422 025 12479
 1002 SAW Filter, 45MHz75, OFWMM1971M 2422 549 44518
 1200 Filter, Ceramic, 4MHz5 2422 549 40807
 S 1500 Fuse, 4A, 250V, IEC 2422 086 10914
 S 1515 Relay, 12V, 5A G5PA-1. 2422 132 07444
 1600 Switch, Tactile. 2422 128 02742
 1601 Switch, Tactile. 2422 128 02742
 1602 Switch, Tactile. 2422 128 02742
 1603 Switch, Tactile. 2422 128 02742
 1606 Switch, Tactile. 2422 128 02742
 1660 Crystal, 12MHz000. 2422 543 01203
 1831 Crystal, Resonator, 18MHz432, 12 Pin, HC49/U A 2422 543 00842
 2004 Cap, 47n, 10%, 16v, Ceramic. 3198 017 34730
 2005 Cap, 10u, 20%, 50v, Electrolytic 3198 025 51090
 2006 Cap, 470u, 20%, 16v, Electrolytic. 3198 025 24710
 2007 Cap, 100n, +80/-20%, 25v, Ceramic. 3198 023 41040
 2008 Cap, 100u, 20%, 25v, Electrolytic. 3198 025 31010
 2009 Cap, 22n, 10%, 25v, Ceramic. 3198 017 32230
 2101 Cap, 470n, +80/-20%, 16v, Ceramic. 3198 017 24740
 2102 Cap, 22p, 5%, 50v, Ceramic 3198 016 32290
 2103 Cap, 330p, 10%, 50v, Ceramic 3198 017 33310
 2104 Cap, 330p, 10%, 50v, Ceramic 3198 017 33310
 2105 Cap, 10u, 20%, 50v, Electrolytic 3198 025 51090
 2106 Cap, 10u, 20%, 50v, Electrolytic 3198 025 51090
 2111 Cap, 22p, 5%, 50v, Ceramic 3198 016 32290
 2112 Cap, 22p, 5%, 50v, Ceramic 3198 016 32290
 2113 Cap, 22p, 5%, 50v, Ceramic 3198 016 32290
 2121 Cap, 22p, 5%, 50v, Ceramic 3198 016 32290
 2122 Cap, 330p, 10%, 50v, Ceramic 3198 017 33310
 2123 Cap, 2u2, +80/-20%, 10v, Ceramic 3198 017 22250
 2124 Cap, 330p, 10%, 50v, Ceramic 3198 017 33310
 2125 Cap, 2u2, +80/-20%, 10v, Ceramic 3198 017 22250
 2131 Cap, 330p, 10%, 50v, Ceramic 3198 017 33310

2132 Cap, 2u2, +80/-20%, 10v, Ceramic 3198 017 22250
 2133 Cap, 330p, 10%, 50v, Ceramic 3198 017 33310
 2134 Cap, 2u2, +80/-20%, 10v, Ceramic 3198 017 22250
 2135 Cap, 22p, 5%, 50v, Ceramic 3198 016 32290
 2136 Cap, 22p, 5%, 50v, Ceramic 3198 016 32290
 2141 Cap, 330p, 10%, 50v, Ceramic 3198 017 33310
 2143 Cap, 100n, +80/-20%, 25v, Ceramic. 3198 023 41040
 2150 Cap, 150n, 10%, 16v, Ceramic 2238 780 15652
 2171 Cap, 2n2, 10%, 50v, Ceramic. 3198 019 12220
 2181 Cap, 22p, 5%, 50v, Ceramic 3198 016 32290
 2184 Cap, 2u2, +80/-20%, 10v, Ceramic 3198 017 22250
 2201 Cap, 100n, +80/-20%, 25v, Ceramic. 3198 023 21040
 2202 Cap, 100n, +80/-20%, 25v, Ceramic. 3198 023 21040
 2203 Cap, 100n, +80/-20%, 25v, Ceramic. 3198 023 21040
 2204 Cap, 100n, +80/-20%, 25v, Ceramic. 3198 023 41040
 2205 Cap, 220n, +80/-20%, 25v, Ceramic. 3198 023 22240
 2208 Cap, 100n, +80/-20%, 25v, Ceramic. 3198 023 41040
 2209 Cap, 10u, 20%, 50v, Electrolytic 3198 025 51090
 2210 Cap, 1u, +80/-20%, 16v, Ceramic. 3198 017 21050
 2211 Cap, 470n, +80/-20%, 16v, Ceramic. 3198 017 24740
 2213 Cap, 22n, 10%, 50v, Ceramic. 3198 017 02230
 2214 Cap, 22n, 10%, 50v, Ceramic. 3198 017 02230
 2215 Cap, 22n, 10%, 50v, Ceramic. 3198 017 02230
 2216 Cap, 1000u, 20%, 16v, Electrolytic 3198 026 21020
 2217 Cap, 22n, 10%, 25v, Ceramic. 3198 017 32230
 2219 Cap, 220n, +80/-20%, 25v, Ceramic. 3198 023 22240
 2220 Cap, 470n, 10%, 50v, Polyester 3198 014 04740
 2221 Cap, 22n, 10%, 50v, Ceramic. 3198 017 02230
 2241 Cap, 1n5, 10%, 50v, Ceramic. 3198 017 31520
 2242 Cap, 1u, +80/-20%, 10v, Ceramic. 3198 017 41050
 2243 Cap, 2n2, 10%, 50v, Ceramic. 3198 017 02220
 2244 Cap, 100n, 5%, 63v, Metalized Polyest
 er. 2222 370 76104
 2245 Cap, 470n, +80/-20%, 16v, Ceramic. 3198 017 24740
 2247 Cap, 1000u, 20%, 16v, Electrolytic 3198 026 21020
 2248 Cap, 22n, 10%, 50v, Ceramic. 3198 017 02230
 2249 Cap, 22n, 10%, 25v, Ceramic. 3198 017 32230
 2250 Cap, 2u2, 20%, 50v, Electrolytic 3198 025 52280
 2252 Cap, 1n, 5%, 50v, Ceramic. 3198 016 01020
 2253 Cap, 1n, 5%, 50v, Ceramic. 3198 016 01020
 2254 Res, Zero ohm, "Chip" Jumper 3198 021 90020
 2401 Cap, 2u2, 20%, 50v, Electrolytic 2020 021 90552
 2402 Cap, 470p, 10%, 500v, Ceramic. 3198 019 44710
 2404 Cap, 47u, 20%, 50v, Electrolytic 3198 025 54790
 2405 Cap, 220u, 20%, 25v, Electrolytic. 3198 025 32210
 2441 Cap, 1u, 20%, 50v, Electrolytic. 3198 025 51080
 2443 Cap, 47n, +80/-20%, 50v, Ceramic 3198 017 24730
 2444 Cap, 1u, 20%, 50v, Electrolytic. 3198 025 51080
 2450 Cap, 47u, 20%, 160v, Electrolytic. 2020 021 91139
 2451 Cap, 15n, 10%, 50v, Polyester. 3198 014 01530
 2452 Cap, 180p, 5%, 50v, Ceramic. 3198 016 01810
 2455 Cap, 47u, 20%, 25v, Electrolytic 3198 025 34790
 2457 Cap, 470n, 5%, 250v, Polypropylene. 2222 479 90023
 2458 Cap, 2u2, 20%, 100v, Electrolytic. 2020 021 91331
 2459 Cap, 680p, 10%, 500v, Ceramic. 3198 019 46810
 2460 Cap, 100p, 5%, 50v, Ceramic. 3198 016 01010
 2463 Cap, 1n2, 10%, 2000v, Ceramic. 2020 558 90488
 2464 Cap, 2u2, 5%, 160v, Metalized Polypro
 pylene 2222 479 90042
 2465 Cap, 13n, 5%, 1600v, Polypropylene 2222 375 90157
 2466 Cap, 15n, 10%, 400v, Polyester 2222 347 90219
 2468 Cap, 10n, 10%, 400v, Polyester 2222 347 90218
 2471 Cap, 100n, 10%, 50v, Polyester 3198 014 01040
 2472 Cap, 150n, 10%, 63v, Polyester 2222 365 75154
 2473 Cap, 100n, 10%, 63v, Polyester 2222 365 75104
 2474 Cap, 2n2, 10%, 50v, Ceramic. 3198 017 02220
 2475 Cap, 2n2, 10%, 50v, Ceramic. 3198 017 02220
 2476 Cap, 4n7, 10%, 50v, Ceramic. 3198 017 04720
 2480 Cap, 47u, 20%, 25v, Electrolytic 2020 021 90586
 2481 Cap, 470p, 10%, 500v, Ceramic. 3198 019 44710
 2482 Cap, 68n, 10%, 250v, Polyester 2222 347 90234
 2485 Cap, 4u7, 20%, 250v, Electrolytic. 2020 021 90856
 2486 Cap, 470u, 20%, 16v, Electrolytic. 2020 021 91577
 2487 Cap, 47u, 20%, 50v, Electrolytic 2020 021 90854
 2488 Cap, 1000u, 20%, 16v, Electrolytic 2020 021 91049
 2489 Cap, 470u, 20%, 16v, Electrolytic. 2020 021 91577
 2491 Cap, 1n, 10%, 500v, Ceramic. 3198 019 41020
 2500 Cap, 470n, 20%, 275v, Polypropylene. 2222 336 29148
 2501 Cap, 2n2, 10%, 1000v, Ceramic. 3198 019 52220
 2502 Cap, 2n2, 10%, 1000v, Ceramic. 3198 019 52220
 2503 Cap, 470u, 20%, 200v, Electrolytic 2020 024 90626
 2505 Cap, 2n2, 10%, 1000v, Ceramic. 3198 019 52220
 2507 Cap, 470p, 10%, 50v, Ceramic 3198 017 04710
 2508 Cap, 470p, 10%, 1000v, Ceramic 3198 019 64710
 S 2515 Cap, 1n5, 20%, v, Ceramic. 2020 554 90128
 2520 Cap, 100n, 10%, 16v, Ceramic 3198 017 01040
 2521 Cap, 22u, 20%, 50v, Electrolytic 3198 025 52290
 2522 Cap, 100n, 10%, 16v, Ceramic 3198 017 01040
 2523 Cap, 1n5, 10%, 2000v, Ceramic. 2020 558 90489
 2525 Cap, 470p, 10%, 50v, Ceramic 3198 017 04710
 2527 Cap, 2n2, 10%, 50v, Ceramic. 3198 017 02220
 2528 Cap, 1n, 10%, 50v, Ceramic 3198 017 01020

S = Safety Part. Be sure to use exact replacement part.

32PS60B321 (continued)

2540	Cap, 10n, 10%, 50v, Ceramic.	3198 017 01030	3133	Res, 150 ohm, 5%, 1/6W, Carbon Film.	3198 011 01510
2541	Cap, 10n, 10%, 50v, Ceramic.	3198 017 01030	3134	Res, 47K, 5%, 1/16W, Metalized Glass	3198 021 34730
2560	Cap, 680p, 10%, 1000v, Ceramic	3198 019 66810	3135	Res, 75 ohm, 5%, 1/6W, Carbon Film . .	3198 011 07590
2561	Cap, 100u, 20%, 160v, Electrolytic . .	2020 021 91654	3136	Res, 100 ohm, 5%, 1/6W, Carbon Film.	3198 011 01010
2562	Cap, 1n, 10%, 50v, Ceramic	3198 019 11020	3138	Wire Jumper, 0.58MM.	3198 036 90010
2563	Cap, 100n, 10%, 50v, Polyester	3198 014 01040	3141	Res, 1K, 5%, 1/6W, Carbon Film	3198 011 01020
2564	Cap, 2u2, 20%, 25v, Electrolytic	2020 021 91353	3149	Res, 100K, 5%, 1/16W, Metalized Glass	3198 021 31040
2567	Cap, 47u, 20%, 25v, Electrolytic	3198 025 34790	3150	Res, 150K, 5%, 1/16W, Metalized Glass	3198 021 31540
2568	Cap, 1u, 20%, 50v, Electrolytic	3198 025 51080	3154	Res, 5K6, 5%, 1/6W, Carbon Film. . . .	3198 011 05620
2580	Cap, 47u, 20%, 16v, Electrolytic	3198 028 24790	3156	Res, 10K, 5%, 1/6W, Carbon Film. . . .	3198 011 01030
2581	Cap, 22u, 20%, 50v, Electrolytic	3198 025 52290	3157	Res, 1K5, 5%, 1/16W, Metalized Glass	3198 021 31520
2601	Cap, 220n, +80/-20%, 25v, Ceramic. . . .	3198 023 22240	3158	Res, 10K, 5%, 1/16W, Metalized Glass	3198 021 31030
2602	Cap, 100p, 5%, 50v, Ceramic.	3198 016 01010	3159	Res, 1K2, 1%, 1/8W, Metalized Glass.	2322 734 61202
2606	Cap, 1n, 10%, 50v, Ceramic	3198 017 31020	3170	Res, 68K, 5%, 1/6W, Carbon Film. . . .	3198 011 06830
2607	Cap, 33p, 5%, 50v, Ceramic	3198 016 33390	3172	Res, 68K, 5%, 1/6W, Carbon Film. . . .	3198 011 06830
2608	Cap, 1u, +80/-20%, 10v, Ceramic.	3198 017 41050	3173	Res, 3K9, 5%, 1/6W, Carbon Film. . . .	3198 011 03920
2609	Cap, 33p, 5%, 50v, Ceramic	3198 016 33390	3174	Res, 8K2, 5%, 1/6W, Carbon Film. . . .	3198 011 08220
2611	Cap, 1u, +80/-20%, 10v, Ceramic.	3198 017 41050	3175	Res, 8K2, 5%, 1/6W, Carbon Film. . . .	3198 011 08220
2612	Cap, 68p, 5%, 50v, Ceramic	3198 016 36890	3176	Res, 100 ohm, 5%, 1/6W, Carbon Film.	3198 011 01010
2613	Cap, 68p, 5%, 50v, Ceramic	3198 016 36890	3177	Res, 8K2, 5%, 1/6W, Carbon Film. . . .	3198 011 08220
2615	Cap, 1n, 10%, 50v, Ceramic	3198 017 01020	3178	Res, 3K9, 5%, 1/6W, Carbon Film. . . .	3198 011 03920
2618	Cap, 1u, +80/-20%, 10v, Ceramic.	3198 017 41050	3179	Res, 2K2, 5%, 1/6W, Carbon Film. . . .	3198 011 02220
2619	Cap, 1u, +80/-20%, 16v, Ceramic.	3198 017 21050	3200	Res, 390 ohm, 5%, 1/6W, Carbon Film.	3198 011 03910
2691	Cap, 220u, 20%, 25v, Electrolytic. . . .	3198 025 32210	3201	Res, 100 ohm, 5%, 1/6W, Carbon Film.	3198 011 01010
2801	Cap, 22u, 20%, 50v, Electrolytic	3198 025 52290	3202	Res, 100 ohm, 5%, 1/6W, Carbon Film.	3198 011 01010
2802	Cap, 220n, +80/-20%, 16v, Ceramic. . . .	3198 017 42240	3203	Res, 100 ohm, 5%, 1/6W, Carbon Film.	3198 011 01010
2804	Cap, 2u2, +80/-20%, 10v, Ceramic	3198 017 22250	3204	Res, 22K, 5%, 1/6W, Carbon Film. . . .	3198 011 02230
2805	Res, Zero ohm, "Chip" Jumper	3198 021 90020	3206	Res, 270K, 5%, 1/8W, Metalized Glass	2322 730 61274
2806	Res, Zero ohm, "Chip" Jumper	3198 021 90030	3207	Res, 1K, 5%, 1/6W, Carbon Film	3198 011 01020
2831	Cap, 1p, 25%, 50v, Ceramic	3198 016 31080	3208	Res, 220 ohm, 5%, 1/16W, Metalized Gl	3198 021 32210
2832	Cap, 1p, 25%, 50v, Ceramic	3198 016 31080	3209	Res, 68 ohm, 5%, 1/16W, Metalized Gla	3198 021 36890
2833	Cap, 47p, 5%, 50v, Ceramic	3198 016 34790	3212	Res, 470 ohm, 5%, 1/16W, Metalized Gl	3198 021 34710
2834	Cap, 470p, 5%, 50v, Ceramic.	3198 016 34710	3213	Res, 560 ohm, 5%, 1/6W, Carbon Film.	3198 011 05610
2835	Cap, 220p, 5%, 50v, Ceramic.	3198 016 32210	3214	Res, 100 ohm, 5%, 1/10W, Metalized Gl	3198 021 51010
2836	Cap, 1n5, 10%, 50v, Ceramic.	3198 017 31520	3215	Res, 560 ohm, 5%, 1/16W, Metalized Gl	3198 021 35610
2837	Cap, 4u7, 20%, 50v, Electrolytic	3198 025 54780	3216	Res, 68 ohm, 5%, 1/6W, Carbon Film . .	3198 011 06890
2840	Cap, 100n, +80/-20%, 25v, Ceramic. . . .	3198 023 41040	3217	Res, 330K, 5%, 1/16W, Metalized Glass	3198 021 33340
2841	Cap, 10u, 20%, 50v, Electrolytic	3198 025 51090	3218	Res, 82K, 5%, 1/16W, Metalized Glass	3198 021 38230
2842	Cap, 100n, +80/-20%, 25v, Ceramic. . . .	3198 023 41040	3219	Res, 2K2, 5%, 1/16W, Metalized Glass	3198 021 32220
2843	Cap, 10u, 20%, 50v, Electrolytic	3198 025 51090	3220	Res, 100 ohm, 5%, 1/6W, Carbon Film.	3198 011 01010
2844	Cap, 10u, 20%, 50v, Electrolytic	3198 025 51090	3221	Res, 560 ohm, 5%, 1/6W, Carbon Film.	3198 011 05610
2845	Cap, 100n, +80/-20%, 25v, Ceramic. . . .	3198 023 41040	3222	Res, 100 ohm, 5%, 1/6W, Carbon Film.	3198 011 01010
2846	Cap, 100u, 20%, 25v, Electrolytic. . . .	3198 025 31010	3223	Res, 100 ohm, 5%, 1/10W, Metalized Gl	3198 021 51010
2849	Cap, 1n, 5%, 25v, Ceramic.	3198 016 31020	3226	Res, 560 ohm, 5%, 1/16W, Metalized Gl	3198 021 35610
2850	Cap, 1n, 5%, 25v, Ceramic.	3198 016 31020	3235	Res, 100 ohm, 5%, 1/6W, Carbon Film.	3198 011 01010
2851	Res, Zero ohm, "Chip" Jumper	3198 021 90030	3241	Res, 22K, 5%, 1/16W, Metalized Glass	3198 021 32230
2852	Cap, 1n, 5%, 25v, Ceramic.	3198 016 31020	3242	Res, 12K, 5%, 1/10W, Metalized Glass	3198 021 51230
2853	Res, Zero ohm, "Chip" Jumper	3198 021 90030	3244	Res, 820 ohm, 5%, 1/6W, Carbon Film.	3198 011 08210
2854	Cap, 1n, 5%, 25v, Ceramic.	3198 016 31020	3245	Res, 39K, 1%, 1/8W, Metalized Glass.	2322 734 63903
2855	Cap, 33p, 5%, 50v, Ceramic.	3198 016 33390	3246	Res, 10K, 5%, 1/10W, Metalized Glass	3198 021 51030
2856	Cap, 47p, 5%, 50v, Ceramic.	3198 016 34790	3247	Res, 470K, 5%, 1/10W, Metalized Glass	3198 021 54740
2857	Cap, 150p, 5%, 50v, Ceramic.	3198 016 31510	3248	Res, 33K, 5%, 1/10W, Metalized Glass	3198 021 53330
2860	Cap, 180p, 5%, 50v, Ceramic.	3198 016 31810	3249	Res, 820 ohm, 5%, 1/6W, Carbon Film.	3198 011 08210
2894	Cap, 220p, 5%, 50v, Ceramic.	3198 016 32210	3250	Res, 8K2, 5%, 1/6W, Carbon Film. . . .	3198 011 08220
2895	Cap, 560p, 5%, 25v, Ceramic.	3198 016 35610	3251	Res, 100 ohm, 5%, 1/6W, Carbon Film.	3198 011 01010
2897	Cap, 390p, 5%, 50v, Ceramic.	3198 016 33910	3256	Res, 1K, 5%, 1/10W, Metalized Glass.	3198 021 51020
2898	Cap, 10n, 10%, 50v, Ceramic.	3198 017 31030	3257	Res, 10M, 5%, 1/10W, Metalized Glass	3198 021 51060
2902	Cap, 1000u, 20%, 16v, Electrolytic	3198 026 21020	3258	Res, 100K, 5%, 1/10W, Metalized Glass	3198 021 51040
2903	Cap, 1u, 20%, 50v, Electrolytic.	3198 025 51080	3259	Res, 470K, 5%, 1/10W, Metalized Glass	3198 021 54740
2904	Cap, 470n, +80/-20%, 16v, Ceramic. . . .	3198 017 24740	3400	Res, 330 ohm, 5%, 1/6W, Carbon Film.	3198 011 03310
2905	Cap, 1n, 10%, 50v, Ceramic	3198 017 31020	3401	Res, 33K, 5%, 1/6W, Carbon Film. . . .	3198 011 03330
2906	Cap, 470n, +80/-20%, 16v, Ceramic. . . .	3198 017 24740	3403	Res, 100K, 5%, 1/6W, Carbon Film	3198 011 01040
2907	Cap, 1n, 10%, 50v, Ceramic	3198 017 31020	3404	Res, 1K, 5%, 1/6W, Carbon Film	3198 011 01020
2908	Cap, 10u, 20%, 50v, Electrolytic	3198 025 51090	3405	Res, 4R7, 5%, 1/6W, Carbon Film. . . .	3198 011 04780
2910	Cap, 3n3, 10%, 50v, Ceramic.	3198 017 33320	3406	Res, 4R7, 5%, 1/6W, Carbon Film. . . .	3198 011 04780
2911	Cap, 3n3, 10%, 50v, Ceramic.	3198 017 33320	3408	Res, 100 ohm, 5%, 1/6W, Carbon Film.	3198 011 01010
2950	Cap, 330p, 5%, 50v, Ceramic.	3198 016 33310	3410	Res, 10K, 5%, 1/6W, Carbon Film. . . .	3198 011 01030
3000	Res, 100 ohm, 5%, 1/6W, Carbon Film.	3198 011 01010	3411	Res, 4R7, 5%, 1/3W, Metal Film	2306 204 03478
3001	Res, 100 ohm, 5%, 1/6W, Carbon Film.	3198 011 01010	3441	Res, 100 ohm, 5%, 1/10W, Metalized Gl	3198 021 51010
3002	Res, Zero ohm, "Chip" Jumper	3198 021 90030	3442	Res, Zero ohm, "Chip" Jumper	3198 021 90020
3003	Res, 1K5, 5%, 1/16W, Metalized Glass	3198 021 31520	3443	Res, 1M, 5%, 1/10W, Metalized Glass.	3198 021 51050
3004	Res, 8K2, 5%, 1/16W, Metalized Glass	3198 021 38220	3445	Res, 15K, 5%, 1/6W, Carbon Film. . . .	3198 011 01530
3005	Res, 100 ohm, 5%, 1/6W, Carbon Film.	3198 011 01010	3446	Res, 5K6, 5%, 1/6W, Carbon Film. . . .	3198 011 05620
3101	Res, 68 ohm, 5%, 1/6W, Carbon Film . . .	3198 011 06890	3447	Res, 56 ohm, 5%, 1/4W, Carbon Film . .	2120 101 74569
3102	Res, 1K, 5%, 1/16W, Metalized Glass.	3198 021 31020	3448	Res, 470 ohm, 5%, 1/6W, Carbon Film.	3198 011 04710
3103	Res, 150 ohm, 5%, 1/6W, Carbon Film.	3198 011 01510	3449	Res, 68 ohm, 5%, 1/6W, Carbon Film . .	3198 011 06890
3104	Res, 220K, 5%, 1/16W, Metalized Glass	3198 021 32240	3450	Res, 33 ohm, 5%, 1/6W, Carbon Film . .	3198 011 03390
3105	Res, 150 ohm, 5%, 1/6W, Carbon Film.	3198 011 01510	S 3451	Res, 1 ohm, 5%, 1/3W, Metal Film	2306 204 03108
3106	Res, 220K, 5%, 1/16W, Metalized Glass	3198 021 32240	3452	Res, 5K1, 1%, 3/5W, Metal Film	2312 915 15102
3111	Res, 75 ohm, 5%, 1/6W, Carbon Film . . .	3198 011 07590	3453	Res, 1K, 5%, 1/6W, Carbon Film	3198 011 01020
3112	Res, 100 ohm, 5%, 1/6W, Carbon Film.	3198 011 01010	3454	Res, 2K, 1%, 3/5W, Metal Film.	2312 915 12002
3113	Res, 75 ohm, 5%, 1/6W, Carbon Film . . .	3198 011 07590	3455	Res, 6R8, 5%, 1 1/3W, Metal Film	3198 012 26880
3114	Res, 100 ohm, 5%, 1/6W, Carbon Film.	3198 011 01010	3458	Res, 1K, 5%, 1/6W, Carbon Film	3198 011 01020
3115	Res, 75 ohm, 5%, 1/6W, Carbon Film . . .	3198 011 07590	3459	Res, 15K, 5%, 1 1/3W, Metal Film	3198 012 21530
3116	Res, 100 ohm, 5%, 1/6W, Carbon Film.	3198 011 01010			
3122	Wire Jumper, 0.58MM.	3198 036 90010			
3123	Res, 150 ohm, 5%, 1/6W, Carbon Film.	3198 011 01510			
3124	Res, 47K, 5%, 1/16W, Metalized Glass	3198 021 34730			
3125	Res, 150 ohm, 5%, 1/6W, Carbon Film.	3198 011 01510			
3126	Res, 47K, 5%, 1/16W, Metalized Glass	3198 021 34730			
3131	Res, 150 ohm, 5%, 1/6W, Carbon Film.	3198 011 01510			
3132	Res, 47K, 5%, 1/16W, Metalized Glass	3198 021 34730			

S = Safety Part Be sure to use exact replacement part.

32PS60B321 (continued)

3460	Res, 3K9, 5%, 1/6W, Carbon Film. . .	3198 011 03920	3630	Res, 2K2, 5%, 1/16W, Metalized Glass	3198 021 32220
3463	Res, 33 ohm, 5%, 1/6W, Carbon Film . .	3198 011 03390	3632	Res, Zero ohm, "Chip" Jumper	3198 021 90030
3465	Res, 27K, 1%, 3/5W, Metal Film	2312 915 12703	3634	Res, 100 ohm, 5%, 1/6W, Carbon Film.	3198 011 01010
3468	Res, 180 ohm, 5%, 1/6W, Carbon Film.	3198 011 01810	3635	Res, 100 ohm, 5%, 1/6W, Carbon Film.	3198 011 01010
3469	Res, 3K3, 5%, 1/6W, Carbon Film. . . .	3198 011 03320	3636	Res, 100 ohm, 5%, 1/10W, Metalized Gl	
3470	Res, 390K, 5%, 1/8W, Metalized Glass	2322 730 61394		ass.	3198 021 51010
3471	Res, 3R9, 1%, 3/5W, Metal Film	2312 915 13908	3638	Res, 75 ohm, 5%, 1/16W, Metalized Gla	
3472	Res, 3R9, 1%, 3/5W, Metal Film	2312 915 13908		ss.	3198 021 37590
3473	Res, 5R6, 1%, 3/5W, Metal Film	2312 915 15608	3639	Res, Zero ohm, "Chip" Jumper	3198 021 90030
3474	Res, 2K2, 1%, 3/5W, Metal Film	2312 915 12202	3681	Res, 390 ohm, 5%, 1/16W, Metalized Gl	
3475	Res, 2K2, 1%, 3/5W, Metal Film	2312 915 12202		ass.	3198 021 33910
3477	Res, 150 ohm, 5%, 1/6W, Carbon Film.	3198 011 01510	3682	Res, 3K3, 5%, 1/16W, Metalized Glass	3198 021 33320
3478	Res, 150 ohm, 5%, 1/6W, Carbon Film.	3198 011 01510	3683	Res, 390 ohm, 5%, 1/16W, Metalized Gl	
3479	Res, 2K7, 5%, 1/10W, Metalized Glass	3198 021 51230		ass.	3198 021 33910
3480	Res, 1R5, 5%, 1/4W, Carbon Film. . . .	2120 101 74158	3684	Res, 560 ohm, 5%, 1/16W, Metalized Gl	
3481	Res, 15K, 1%, 3/5W, Metal Film	2312 915 11503		ass.	3198 021 35610
3482	Res, 6K8, 1%, 3/5W, Metal Film	2312 915 16802	3685	Res, 560 ohm, 5%, 1/16W, Metalized Gl	
3484	Res, 3K9, 5%, 1/6W, Carbon Film. . . .	3198 011 03920		ass.	3198 021 35610
3486	Res, 33 ohm, 5%, 2 1/2W, Metal Film.	3198 012 33390	3686	Res, 1K5, 5%, 1/16W, Metalized Glass	3198 021 31520
3488	Res, 4R7, 5%, 1/2W, Metal Film	2306 207 03478	3691	Res, 330 ohm, 5%, 1/16W, Metalized Gl	
3490	Res, 8K2, 5%, 1/6W, Carbon Film. . . .	3198 011 08220		ass.	3198 021 33310
3492	Res, 1K, 5%, 1/10W, Metalized Glass.	3198 021 51020	3693	Res, 220 ohm, 5%, 1/16W, Metalized Gl	
3493	Res, 2R2, 5%, 1/3W, Metal Film	2306 204 03228		ass.	3198 021 32210
3494	Res, 4R7, 5%, 1/2W, Metal Film	2306 207 03478	3694	Res, 4K7, 5%, 1/16W, Metalized Glass	3198 021 34720
3495	Res, 22K, 5%, 1/10W, Metalized Glass	3198 021 52230	3801	Res, 220 ohm, 5%, 1/6W, Carbon Film.	3198 011 02210
3496	Res, 100K, 5%, 1/10W, Metalized Glass	3198 021 51040	3802	Res, 1K, 5%, 1/6W, Carbon Film	3198 011 01020
3497	Res, 100K, 5%, 1/10W, Metalized Glass	3198 021 51040	3809	Res, 75 ohm, 5%, 1/16W, Metalized Gla	
3498	Res, 12K, 5%, 1/10W, Metalized Glass	3198 021 51230		ss.	3198 021 37590
3499	Res, 10K, 5%, 1/10W, Metalized Glass	3198 021 51030	3810	Res, 75 ohm, 5%, 1/16W, Metalized Gla	
S 3500	Res, 3M3, 5%, 1/2W, Metalized Glass.	2322 242 13335		ss.	3198 021 37590
S 3501	Res, 3M3, 5%, 1/2W, Metalized Glass.	2322 242 13335	3831	Res, 47K, 5%, 1/16W, Metalized Glass	3198 021 34730
S 3504	PTC, DC, 120V,P3020 B.	2120 661 00025	3832	Res, 100 ohm, 5%, 1/6W, Carbon Film.	3198 011 01010
S 3506	Res, 1M5, 5%, 1/2W, Metalized Glass.	2322 242 13155	3833	Res, 100 ohm, 5%, 1/6W, Carbon Film.	3198 011 01010
S 3507	Surge Protector.	2422 549 43073	3836	Res, 1K, 5%, 1/16W, Metalized Glass.	3198 021 31020
S 3508	Res, 220 ohm, 20%, 1/2W, Carbon Film	3198 013 02210	3837	Res, 100 ohm, 5%, 1/6W, Carbon Film.	3198 011 01010
S 3510	NTC, DC, B57237, 3W1, 4R7, 20%	2122 612 00056	3838	Res, 1K, 5%, 1/16W, Metalized Glass.	3198 021 31020
3519	Res, 270 ohm, 5%, 1/6W, Carbon Film.	3198 011 02710	3839	Res, 100 ohm, 5%, 1/6W, Carbon Film.	3198 011 01010
3520	Res, 1K2, 5%, 1/10W, Metalized Glass	3198 021 51220	3843	Res, 2K2, 5%, 1/16W, Metalized Glass	3198 021 32220
3521	Res, 4R7, 5%, 1/6W, Carbon Film. . . .	3198 011 04780	3901	Res, 1K, 5%, 1/16W, Metalized Glass.	3198 021 31020
3522	Res, 330K, 1%, 1/8W, Metalized Glass	2322 734 63304	3902	Res, 3K3, 5%, 1/16W, Metalized Glass	3198 021 33320
S 3523	Res, 100 ohm, 5%, 1/3W, Metal Film . . .	2306 204 03101	3903	Res, 3K3, 5%, 1/16W, Metalized Glass	3198 021 33320
3524	Res, 56K, 5%, 1/10W, Metalized Glass	3198 021 55630	3904	Res, 10K, 5%, 1/16W, Metalized Glass	3198 021 31030
3525	Res, 1K, 5%, 1/10W, Metalized Glass.	3198 021 51020	3905	Res, 3K3, 5%, 1/16W, Metalized Glass	3198 021 33320
3526	Res, 0R1, 5%, 3/5W, Metal Film	3198 012 11070	3906	Res, 10K, 5%, 1/16W, Metalized Glass	3198 021 31030
3527	Res, 0R33, 5%, 3/5W, Metal Film. . . .	3198 012 13370	3907	Res, 8K2, 5%, 1/16W, Metalized Glass	3198 021 38220
3528	Res, Zero ohm, "Chip" Jumper	3198 021 90020	4001	Res, Zero ohm, "Chip" Jumper	3198 021 90030
3529	Res, 47K, 5%, 1/10W, Metalized Glass	3198 021 54730	4002	Res, Zero ohm, "Chip" Jumper	3198 021 90030
3530	Res, 10K, 5%, 1/10W, Metalized Glass	3198 021 51030	4170	Res, Zero ohm, "Chip" Jumper	3198 021 90030
3531	Res, 4K7, 5%, 1/10W, Metalized Glass	3198 021 54720	4181	Res, Zero ohm, "Chip" Jumper	3198 021 90030
S 3532	Res, 2K2, 5%, 1/3W, Metal Film	2306 204 03222	4209	Res, Zero ohm, "Chip" Jumper	3198 021 90030
3541	Res, 470 ohm, 5%, 1/10W, Metalized Gl		4216	Res, Zero ohm, "Chip" Jumper	3198 021 90030
	ass.	3198 021 54710	4217	Res, Zero ohm, "Chip" Jumper	3198 021 90030
3542	Res, 1K5, 5%, 1/10W, Metalized Glass	3198 021 51520	4401	Res, Zero ohm, "Chip" Jumper	3198 021 90020
3543	Res, 82K, 1%, 3/5W, Metal Film	2312 915 18203	4402	Res, Zero ohm, "Chip" Jumper	3198 021 90020
3544	Res, 4K7, 1%, 1/8W, Metalized Glass.	2322 734 64702	4430	Res, Zero ohm, "Chip" Jumper	3198 021 90020
3545	Res, 270K, 5%, 1/8W, Metalized Glass	2322 730 61274	4500	Res, Zero ohm, "Chip" Jumper	3198 021 90020
3548	Res, 15K, 5%, 1/10W, Metalized Glass	3198 021 51530	4601	Res, Zero ohm, "Chip" Jumper	3198 021 90030
3552	Res, 4K7, 5%, 1/10W, Metalized Glass	3198 021 54720	4613	Res, Zero ohm, "Chip" Jumper	3198 021 90020
3557	Res, 1K, 5%, 1/10W, Metalized Glass.	3198 021 51020	4614	Res, Zero ohm, "Chip" Jumper	3198 021 90020
3561	Res, 100 ohm, 5%, 1/6W, Carbon Film.	3198 011 01010	4615	Res, Zero ohm, "Chip" Jumper	3198 021 90030
3562	Res, 12K, 5%, 1/10W, Metalized Glass	3198 021 51230	4617	Res, Zero ohm, "Chip" Jumper	3198 021 90020
3563	Res, 5K6, 5%, 1/10W, Metalized Glass	3198 021 55620	4618	Res, Zero ohm, "Chip" Jumper	3198 021 90020
3564	Res, 0R1, 5%, 1 1/3W, Metal Film	3198 012 21070	4619	Res, Zero ohm, "Chip" Jumper	3198 021 90020
3565	Res, 330 ohm, 5%, 1W, Metal Film	3198 012 13310	4622	Res, Zero ohm, "Chip" Jumper	3198 021 90020
3566	Res, 2K2, 5%, 1/10W, Metalized Glass	3198 021 52220	4623	Res, Zero ohm, "Chip" Jumper	3198 021 90020
3567	Res, 1K8, 5%, 1/16W, Metalized Glass	3198 021 31820	4691	Res, Zero ohm, "Chip" Jumper	3198 021 90030
3569	Res, 5K6, 5%, 1/10W, Metalized Glass	3198 021 55620	4692	Res, Zero ohm, "Chip" Jumper	3198 021 90030
3580	Res, 47K, 5%, 1/10W, Metalized Glass	3198 021 54730	4693	Res, Zero ohm, "Chip" Jumper	3198 021 90030
3594	Res, 330 ohm, 5%, 1/10W, Metalized Gl		4696	Res, Zero ohm, "Chip" Jumper	3198 021 90030
	ass.	3198 021 53310	4801	Res, Zero ohm, "Chip" Jumper	3198 021 90030
3595	Res, 220K, 5%, 1/10W, Metalized Glass	3198 021 52240	4831	Res, Zero ohm, "Chip" Jumper	3198 021 90030
3596	Res, 220K, 5%, 1/10W, Metalized Glass	3198 021 52240	4833	Res, Zero ohm, "Chip" Jumper	3198 021 90030
3601	Res, 8K2, 5%, 1/6W, Carbon Film. . . .	3198 011 08220	4835	Res, Zero ohm, "Chip" Jumper	3198 021 90020
3603	Res, 100 ohm, 5%, 1/6W, Carbon Film.	3198 011 01010	4901	Res, Zero ohm, "Chip" Jumper	3198 021 90030
3604	Res, 100 ohm, 5%, 1/6W, Carbon Film.	3198 011 01010	4903	Res, Zero ohm, "Chip" Jumper	3198 021 90030
3605	Res, 4K7, 5%, 1/16W, Metalized Glass	3198 021 34720	4982	Res, Zero ohm, "Chip" Jumper	3198 021 90020
3606	Res, 2K2, 5%, 1/6W, Carbon Film. . . .	3198 011 02220	5001	Coil, 27u.	3198 018 22790
3607	Res, 2K2, 5%, 1/6W, Carbon Film. . . .	3198 011 02220	5002	Coil, 820n	3198 018 18270
3608	Res, 100 ohm, 5%, 1/6W, Carbon Film.	3198 011 01010	5201	Coil, 6u8.	3198 018 16880
3609	Res, 1K, 5%, 1/6W, Carbon Film	3198 011 01020	5202	Coil, 10u.	3198 018 21090
3610	Res, 8K2, 5%, 1/6W, Carbon Film. . . .	3198 011 08220	5204	Fixed, Inductor, 100MHZ, 80 ohm. . . .	3198 018 90020
3611	Res, 100 ohm, 5%, 1/16W, Metalized Gl		5205	Fixed, Inductor, 100MHZ, 80 ohm. . . .	3198 018 90020
	ass.	3198 021 31010	5206	Wire Jumper, 0.58MM.	3198 036 90010
3618	Res, 6K8, 5%, 1/6W, Carbon Film. . . .	3198 011 06820	5241	Coil, 10u.	3198 018 21090
3622	Res, 100 ohm, 5%, 1/10W, Metalized Gl		5242	Coil, 10u.	3198 018 11090
	ass.	3198 021 51010	5401	Coil, 1m	3198 018 71020
3623	Res, 4K7, 5%, 1/16W, Metalized Glass	3198 021 34720	S 5445	Transformer, PSL0T	3128 138 21421
3624	Res, 100 ohm, 5%, 1/6W, Carbon Film.	3198 011 01010	5451	Coil, 33u.	3198 018 73390
3625	Res, 100 ohm, 5%, 1/6W, Carbon Film.	3198 011 01010	5452	Fixed, Inductor, 100MHZ, 80 ohm. . . .	3198 018 90020
3626	Res, 4K7, 5%, 1/16W, Metalized Glass	3198 021 34720	5457	Coil, Linear, DC12	3128 138 55881
3627	Res, 4K7, 5%, 1/16W, Metalized Glass	3198 021 34720	5461	Transformer, Signal Driver, SC10015-0	
3628	Res, 10K, 5%, 1/16W, Metalized Glass	3198 021 31030		0 B.	2422 531 02465

S = Safety Part Be sure to use exact replacement part.

32PS60B321 (continued)

5463	Coil, Choke.	3128 138 37021	7521	FET Power, STP8NC50FP.	9322 160 72687
5471	Coil, 3u3.	3198 018 73380	7522	Transistor, NPN, BC847B.	3198 010 42030
5472	Coil, 3u3.	3198 018 23380	7540	Transistor, NPN, BC547B.	3198 020 40030
5480	Coil, 4u7.	2422 535 94213	7541	Transistor, NPN, PDTCL14ET.	9340 310 10215
S 5501	Filter, Mains, 5mH, 2A	2422 549 43432	7542	Transistor, PNP, BC857B.	3198 010 42150
S 5520	Transformer, Layer, SS39009-04 B	2422 531 02459	7560	IC, L78L33ACZ.	9322 134 92676
5521	Fixed, Inductor, 100MHz, 50R.	3198 018 90010	7561	Transistor, NPN, PDTCL143ZT.	9340 547 00215
5560	Fixed, Inductor, 100MHz, 50R.	3198 018 90010	7580	Transistor, PNP, BC857B.	3198 010 42150
5561	Coil, 27u.	3198 018 22790	7602	IC, M24C08-WB6.	9322 154 38682
5562	Fixed, Inductor, 100MHz, 50R.	3198 018 90010	7606	Transistor, NPN, PDTCL143ZT.	9340 547 00215
5564	Fixed, Inductor, 100MHz, 50R.	3198 018 90010	7801	IC, HEF4052BT.	9333 729 50653
5602	Coil, 5u6.	3198 018 15680	7802	IC, HEF4053BT.	9333 729 60653
5603	Coil, 5u6.	3198 018 15680	7831	IC, MSP3445G-PO-B8	9322 160 81682
5604	Coil, 5u6.	3198 018 15680	7901	IC, AN7522N	9322 181 41682
5831	Coil, 6u8.	3198 018 16880	9001	Wire Jumper, 0.58MM.	3198 036 90010
5832	Coil, 6u8.	3198 018 16880	9171	Wire Jumper, 0.58MM.	3198 036 90010
5833	Coil, 6u8.	3198 018 16880	9172	Wire Jumper, 0.58MM.	3198 036 90010
5835	Coil, 12u.	3198 018 31290	9173	Wire Jumper, 0.58MM.	3198 036 90010
6001	Zener Diode, 33 volt	3198 010 23390	9175	Wire Jumper, 0.58MM.	3198 036 90010
6006	Diode, Signal, 1N4148.	3198 010 10010	9176	Wire Jumper, 0.58MM.	3198 036 90010
6007	Diode, Signal, 1N4148.	3198 010 10010	9178	Wire Jumper, 0.58MM.	3198 036 90010
6150	Diode, Signal, BAS316.	3198 010 10630	9179	Wire Jumper, 0.58MM.	3198 036 90010
6201	Diode, Signal, BAS316.	3198 010 10630	9181	Wire Jumper, 0.58MM.	3198 036 90010
6202	Diode, Signal, BAS316.	3198 010 10630	9182	Wire Jumper, 0.58MM.	3198 036 90010
6206	Zener Diode, 6.8 volt.	3198 020 56880	9183	Wire Jumper, 0.58MM.	3198 036 90010
6400	Res, 1K, 1%, 3/5W, Metal Film.	2312 915 11002	9192	Wire Jumper, 0.58MM.	3198 036 90010
6401	Zener Diode, 47 volt	3198 010 24790	9193	Wire Jumper, 0.58MM.	3198 036 90010
6445	Zener Diode, 10 volt	3198 020 51090	9406	Wire Jumper, 0.58MM.	3198 036 90010
6447	Diode, Signal, 1N4148.	3198 010 10010	9407	Wire Jumper, 0.58MM.	3198 036 90010
6448	Zener Diode, 6.2 volt.	9331 668 30133	9408	Wire Jumper, 0.58MM.	3198 036 90010
6449	Diode, Signal, BAV99	3198 010 10620	9409	Wire Jumper, 0.58MM.	3198 036 90010
6460	Diode, Rect, DG3-7005L.	9336 436 10682	9410	Wire Jumper, 0.58MM.	3198 036 90010
6461	Diode, Rect, RGP30J-L7004	9338 617 60682	9411	Wire Jumper, 0.58MM.	3198 036 90010
6462	Zener Diode, 9.1 volt.	9331 177 80133	9412	Wire Jumper, 0.58MM.	3198 036 90010
6465	Diode, Signal, BAV21	3198 010 10070	9413	Wire Jumper, 0.58MM.	3198 036 90010
6466	Diode, Signal, BAV21	3198 010 10070	9414	Wire Jumper, 0.58MM.	3198 036 90010
6467	Diode, Signal, BAS316.	3198 010 10630	9415	Wire Jumper, 0.58MM.	3198 036 90010
6468	Diode, Signal, BAS316.	3198 010 10630	9416	Wire Jumper, 0.58MM.	3198 036 90010
6469	Diode, Rect, BYD33J	9337 234 20133	9417	Wire Jumper, 0.58MM.	3198 036 90010
6470	Diode, Signal, BAV99	3198 010 10620	9418	Wire Jumper, 0.58MM.	3198 036 90010
6476	Zener Diode, 15 volt	3198 010 21590	9419	Wire Jumper, 0.58MM.	3198 036 90010
6481	Zener Diode, 5.6 volt.	3198 010 25680	9421	Wire Jumper, 0.58MM.	3198 036 90010
6482	Zener Diode, 9.1 volt.	9331 177 80133	9422	Wire Jumper, 0.58MM.	3198 036 90010
6483	Zener Diode, 33 volt	3198 010 23390	9423	Wire Jumper, 0.58MM.	3198 036 90010
6485	Diode, Rect, BYD33J	9337 234 20133	9424	Wire Jumper, 0.58MM.	3198 036 90010
6486	Diode, Rect, EGP20DL-5100	9322 164 42682	9425	Wire Jumper, 0.58MM.	3198 036 90010
6487	Diode, Rect, BYD33D	9337 234 00133	9426	Wire Jumper, 0.58MM.	3198 036 90010
6488	Diode, Rect, EGP20DL-5100	9322 164 42682	9427	Wire Jumper, 0.58MM.	3198 036 90010
6500	Diode, Bridge Rect, GBU4JL-7002	9322 132 55667	9453	Wire Jumper, 0.58MM.	3198 036 90010
6520	Diode, Rect, BYD33D	9337 234 00133	9460	Wire Jumper, 0.58MM.	3198 036 90010
6523	Diode, Signal, 1N4148.	3198 010 10010	9463	Wire Jumper, 0.58MM.	3198 036 90010
6524	Diode, Rect, 1N5062	3198 010 10120	9500	Wire Jumper, 0.58MM.	3198 036 90010
6525	Diode, Rect, 1N5062	3198 010 10120	9501	Wire Jumper, 0.58MM.	3198 036 90010
6526	Zener Diode, 22 volt	3198 020 52290	9503	Wire Jumper, 0.58MM.	3198 036 90010
6540	Zener Diode, 6.2 volt.	9331 668 30133	9506	Wire Jumper, 0.58MM.	3198 036 90010
6541	Zener Diode, 10 volt	3198 020 51090	9507	Wire Jumper, 0.58MM.	3198 036 90010
6560	Diode, Rect, BYV29X-500	9340 555 59127	9510	Wire Jumper, 0.58MM.	3198 036 90010
6562	Diode, Rect, EGP20DL-5100	9322 164 42682	9512	Wire Jumper, 0.58MM.	3198 036 90010
6563	Diode, Signal, BAS316.	3198 010 10630	9513	Wire Jumper, 0.58MM.	3198 036 90010
6565	Diode, Signal, BAV70	9331 849 10215	9514	Wire Jumper, 0.58MM.	3198 036 90010
6566	Diode, Signal, 1N4148.	3198 010 10010	9515	Wire Jumper, 0.58MM.	3198 036 90010
6569	Diode, Signal, BAS316.	3198 010 10630	9516	Wire Jumper, 0.58MM.	3198 036 90010
6570	Zener Diode, 6.8 volt.	3198 020 56880	9518	Wire Jumper, 0.58MM.	3198 036 90010
6580	Diode, Signal, BAS316.	3198 010 10630	9520	Wire Jumper, 0.58MM.	3198 036 90010
6681	Diode, Signal, BAT85	9336 247 60133	9521	Wire Jumper, 0.58MM.	3198 036 90010
6691	LED, LTL-10224WHCR.	9322 050 99682	9522	Wire Jumper, 0.58MM.	3198 036 90010
6692	IR Receiver, TSOP1836UH3V	9322 127 54667	9524	Wire Jumper, 0.58MM.	3198 036 90010
6831	Diode, Signal, 1N4148.	3198 010 10010	9525	Wire Jumper, 0.58MM.	3198 036 90010
6901	Res, Zero ohm, "Chip" Jumper	3198 021 90020	9528	Wire Jumper, 0.58MM.	3198 036 90010
7101	Transistor, NPN, BC847B.	3198 010 42030	9610	Wire Jumper, 0.58MM.	3198 036 90010
7102	Transistor, PNP, BC857B.	3198 010 42150	9611	Coil, 27u.	3198 018 22790
7103	Transistor, NPN, BC847B.	3198 010 42030	9612	Wire Jumper, 0.58MM.	3198 036 90010
7172	Transistor, PNP, BC857B.	3198 010 42150	9613	Wire Jumper, 0.58MM.	3198 036 90010
7173	Transistor, NPN, BC847B.	3198 010 42030	9614	Wire Jumper, 0.58MM.	3198 036 90010
7174	Transistor, PNP, BC857B.	3198 010 42150	9615	Wire Jumper, 0.58MM.	3198 036 90010
7200	IC, TDA9588H/N1/3/0833	9352 716 35557	9616	Wire Jumper, 0.58MM.	3198 036 90010
7201	Transistor, NPN, BC847B.	3198 010 42030	9617	Wire Jumper, 0.58MM.	3198 036 90010
7204	Transistor, PNP, BC857B.	3198 010 42150	9618	Wire Jumper, 0.58MM.	3198 036 90010
7205	Transistor, PNP, BC857B.	3198 010 42150	9619	Wire Jumper, 0.58MM.	3198 036 90010
7208	Transistor, PNP, BC857B.	3198 010 42150	9620	Wire Jumper, 0.58MM.	3198 036 90010
7400	FET Power, STP3NC60FP.	9322 157 37687	9621	Wire Jumper, 0.58MM.	3198 036 90010
7441	Transistor, PNP, BC857B.	3198 010 42150	9622	Wire Jumper, 0.58MM.	3198 036 90010
7443	Transistor, PNP, BC557B.	3198 020 40110	9623	Wire Jumper, 0.58MM.	3198 036 90010
7460	Transistor, NPN, BU4508DX.	9340 550 92127	9624	Wire Jumper, 0.58MM.	3198 036 90010
7461	Transistor, NPN, BC337-25.	3198 020 43530	9625	Wire Jumper, 0.58MM.	3198 036 90010
7462	Transistor, NPN, PDTCL143ZT.	9340 547 00215	9626	Wire Jumper, 0.58MM.	3198 036 90010
7463	Transistor, PNP, BC327-25.	3198 020 43430	9627	Wire Jumper, 0.58MM.	3198 036 90010
7471	IC, TDA8359J/N2.	9352 701 64112	9628	Wire Jumper, 0.58MM.	3198 036 90010
7480	Transistor, NPN, BD135	3198 020 41010	9629	Wire Jumper, 0.58MM.	3198 036 90010
7482	Transistor, NPN, BD135	3198 020 41010	9630	Wire Jumper, 0.58MM.	3198 036 90010
S 7515	Optic, Coupler, TCET1104(G).	9322 175 72667	9631	Wire Jumper, 0.58MM.	3198 036 90010
7520	IC, TEA1507P/N1.	9352 673 56112	9632	Wire Jumper, 0.58MM.	3198 036 90010

S = Safety Part Be sure to use exact replacement part.

32PS60B321 (continued)

2827	Cap, 10n, 10%, 50v, Ceramic.	3198 017 01030	5890	Coil, 10u.	3198 018 21090
2828	Cap, 100n, +80/-20%, 25v, Ceramic. . .	3198 023 21040	5891	Coil, 10u.	3198 018 21090
2829	Cap, 47u, 20%, 25v, Electrolytic . . .	3198 025 34790	5892	Coil, 10u.	3198 018 21090
2830	Cap, 100n, +80/-20%, 25v, Ceramic. . .	3198 023 21040	6800	Diode, Signal, BAT85	9336 247 60133
2831	Cap, 47u, 20%, 25v, Electrolytic . . .	3198 025 34790	6801	Diode, Signal, BAT85	9336 247 60133
2832	Cap, 100n, +80/-20%, 25v, Ceramic. . .	3198 023 21040	6802	Diode, Signal, BAT85	9336 247 60133
2833	Cap, 47u, 20%, 25v, Electrolytic . . .	3198 025 34790	6890	Zener Diode, 3.9 volt.	3198 020 53980
2834	Cap, 100n, 10%, 16v, Ceramic.	3198 017 01040	7801	IC, HEF4053BT.	9333 729 60653
2837	Cap, 10n, 10%, 50v, Ceramic.	3198 017 01030	7802	IC, N74F06N.	9339 990 90602
2858	Cap, 47u, 20%, 25v, Electrolytic . . .	3198 025 34790	7803	IC, M65669SP	9322 146 60682
2859	Cap, 470n, +80/-20%, 16v, Ceramic. . .	3198 017 24740	7804	Transistor, NPN, BC847B.	3198 010 42030
2862	Cap, 390p, 5%, 50v, Ceramic.	3198 016 03910	7805	Transistor, NPN, BC847B.	3198 010 42030
2890	Cap, 100u, 20%, 25v, Electrolytic. . .	3198 025 31010	7806	Transistor, NPN, BC847B.	3198 010 42030
2891	Cap, 10n, 10%, 50v, Ceramic.	3198 017 01030	7807	Transistor, NPN, BC847B.	3198 010 42030
2892	Cap, 47u, 20%, 25v, Electrolytic . . .	3198 025 34790	7810	Transistor, NPN, BC847B.	3198 010 42030
2893	Cap, 47u, 20%, 25v, Electrolytic . . .	3198 025 34790	7813	Transistor, NPN, BC847B.	3198 010 42030
2894	Cap, 10n, 10%, 50v, Ceramic.	3198 017 01030	7816	Transistor, NPN, BC847B.	3198 010 42030
3801	Res, 100 ohm, 5%, 1/10W, Metalized Gl ass.	3198 021 51010	7818	IC, HEF4053BT.	9333 729 60653
3802	Res, 100 ohm, 5%, 1/10W, Metalized Gl ass.	3198 021 51010	7820	Transistor, NPN, BC847B.	3198 010 42030
3803	Res, 1K, 5%, 1/6W, Carbon Film	3198 011 01020	7890	IC, MC78M05CT.	9334 703 90687
3804	Res, 1K5, 5%, 1/6W, Carbon Film. . . .	3198 011 01520	7891	Transistor, NPN, BC337	9331 796 00126
3805	Res, 100 ohm, 5%, 1/10W, Metalized Gl ass.	3198 021 51010	9800	Wire Jumper, 0.58MM.	3198 036 90010
3806	Res, 2K7, 5%, 1/10W, Metalized Glass	3198 021 52720	9810	Wire Jumper, 0.58MM.	3198 036 90010
3807	Res, 8K2, 5%, 1/10W, Metalized Glass	3198 021 58220	9912	Wire Jumper, 0.58MM.	3198 036 90010
3808	Res, 8K2, 5%, 1/10W, Metalized Glass	3198 021 58220	9913	Wire Jumper, 0.58MM.	3198 036 90010
3809	Res, 8K2, 5%, 1/10W, Metalized Glass	3198 021 58220	9914	Wire Jumper, 0.58MM.	3198 036 90010
3810	Res, 10K, 5%, 1/10W, Metalized Glass	3198 021 51030	9915	Wire Jumper, 0.58MM.	3198 036 90010
3812	Res, 10K, 5%, 1/10W, Metalized Glass	3198 021 51030	9917	Wire Jumper, 0.58MM.	3198 036 90010
3813	Res, 15K, 5%, 1/6W, Carbon Film. . . .	3198 011 01530	9919	Wire Jumper, 0.58MM.	3198 036 90010
3814	Res, 1K, 5%, 1/10W, Metalized Glass. .	3198 021 51020	9920	Wire Jumper, 0.58MM.	3198 036 90010
3815	Res, 1K, 5%, 1/10W, Metalized Glass. .	3198 021 51020	9921	Wire Jumper, 0.58MM.	3198 036 90010
3816	Res, 820 ohm, 5%, 1/10W, Metalized Gl ass.	3198 021 58210	9922	Wire Jumper, 0.58MM.	3198 036 90010
3817	Res, 1K, 5%, 1/10W, Metalized Glass. .	3198 021 51020	9924	Wire Jumper, 0.58MM.	3198 036 90010
3818	Res, 15K, 5%, 1/10W, Metalized Glass	3198 021 51530	9925	Wire Jumper, 0.58MM.	3198 036 90010
3819	Res, 10K, 5%, 1/10W, Metalized Glass	3198 021 51030	9927	Wire Jumper, 0.58MM.	3198 036 90010
3820	Res, 1K, 5%, 1/6W, Carbon Film	3198 011 01020	9928	Wire Jumper, 0.58MM.	3198 036 90010
3821	Res, 390 ohm, 5%, 1/10W, Metalized Gl ass.	3198 021 53910			
3822	Res, 390 ohm, 5%, 1/10W, Metalized Gl ass.	3198 021 53910			
3823	Res, 390 ohm, 5%, 1/10W, Metalized Gl ass.	3198 021 53910			
3824	Res, 15K, 5%, 1/10W, Metalized Glass	3198 021 51530			
3827	Res, 330 ohm, 5%, 1/10W, Metalized Gl ass.	3198 021 53310			
3828	Res, 4M7, 5%, 1/10W, Metalized Glass	3198 021 54750			
3829	Res, 15K, 5%, 1/10W, Metalized Glass	3198 021 51530			
3830	Res, 2K2, 5%, 1/10W, Metalized Glass	3198 021 52220			
3831	Res, 1M, 5%, 1/10W, Metalized Glass. .	3198 021 51050			
3832	Res, 100 ohm, 5%, 1/6W, Carbon Film. .	3198 011 01010			
3833	Res, 100 ohm, 5%, 1/10W, Metalized Gl ass.	3198 021 51010			
3834	Res, 100 ohm, 5%, 1/10W, Metalized Gl ass.	3198 021 51010			
3836	Res, 1K, 5%, 1/10W, Metalized Glass. .	3198 021 51020			
3838	Res, 220 ohm, 5%, 1/10W, Metalized Gl ass.	3198 021 52210			
3839	Res, 390 ohm, 5%, 1/10W, Metalized Gl ass.	3198 021 53910			
3840	Res, Zero ohm, "Chip" Jumper	3198 021 90020			
3843	Res, 220 ohm, 5%, 1/10W, Metalized Gl ass.	3198 021 52210			
3844	Res, 390 ohm, 5%, 1/10W, Metalized Gl ass.	3198 021 53910			
3845	Res, Zero ohm, "Chip" Jumper	3198 021 90020			
3848	Res, 220 ohm, 5%, 1/10W, Metalized Gl ass.	3198 021 52210			
3849	Res, 390 ohm, 5%, 1/10W, Metalized Gl ass.	3198 021 53910			
3850	Res, Zero ohm, "Chip" Jumper	3198 021 90020			
3852	Res, 12K, 5%, 1/10W, Metalized Glass	3198 021 51230			
3853	Res, 12K, 5%, 1/10W, Metalized Glass	3198 021 51230			
3854	Res, 15K, 5%, 1/10W, Metalized Glass	3198 021 51530			
3856	Res, 820 ohm, 5%, 1/10W, Metalized Gl ass.	3198 021 58210			
3857	Res, Zero ohm, "Chip" Jumper	3198 021 90020			
3858	Res, 1K2, 5%, 1/10W, Metalized Glass	3198 021 51220			
3859	Res, 47K, 5%, 1/10W, Metalized Glass	3198 021 54730			
3860	Res, 1K8, 5%, 1/10W, Metalized Glass	3198 021 51820			
3862	Res, 33 ohm, 5%, 1/10W, Metalized Gla ss.	3198 021 53390			
3865	Res, 150 ohm, 5%, 1/6W, Carbon Film. .	3198 011 01510			
3890	Res, 68 ohm, 5%, 1/6W, Carbon Film . .	3198 011 06890			
4800	Res, Zero ohm, "Chip" Jumper	3198 021 90020			
4870	Res, Zero ohm, "Chip" Jumper	3198 021 90020			
4871	Res, Zero ohm, "Chip" Jumper	3198 021 90020			
4872	Res, Zero ohm, "Chip" Jumper	3198 021 90020			
4909	Res, Zero ohm, "Chip" Jumper	3198 021 90020			

S = Safety Part Be sure to use exact replacement part.

32PS60B331 - Manual no. 7629

Cabinet & Accessory Parts

Cabinet & Accessory Parts			
S AC01	Mainscord, 125V, 10A	3135	010 03831
AC03	Battery, Zinc, 1.5V (2-Pack)	9299	000 65263
AC04	Cover, Back	3139	124 35192
AC07	Chassis Tray	3139	124 31324
AC09	Clip, Anode Lead	3135	014 04471
AC10	CRT A80ECK272X56	9301	795 00428
AC11	Customer Control Buttons	3139	124 32711
AC12	Coil, Degaussing	2422	549 43977
AC13	Holder, Degaussing (4 Used)	3135	013 01661
AC16	Owner's Manual	3121	235 20111
AC20A	Cabinet, Front - Model 32PS60B/331	3139	137 71501
AC20D	Light Guide	3139	124 32681
AC20E	Nameplate	3139	120 01301
AC20J	Speaker, 16R, 5W (2 Used)	2422	264 00371
AC22	Spring	3139	121 26231
AC23	Braid, Ground Lead (Not Shown)	3135	010 07891
REMOTE	Remote Transmitter, RC19041001/01	3139	228 86501

Main Chassis Assembly Parts

Main Chassis Assembly Parts			
1000	Tuner, V+U PLL	2422	542 90108
0022	Bracket, Lot	3139	124 44421
0122	Heatsink	3139	121 62214
0123	Heatsink, Audio	3139	121 62501
0124	Heatsink, SOPS	3139	121 62201
0127	Socket, Fuse	2422	088 00271
0129	NTC, Holder	3139	120 10151
0136	IC-Spring	3104	301 22081
0137	Spring	3139	121 24581
0138	IC-Spring	3104	301 22081
0139	Spring for Bracket	3122	121 24786
0140	Spring	3139	121 24581
0141	IC-Spring	3104	301 22081
0152	Cable, DIPMATE, 6 Pin 560mm	3139	121 08951
S 0211	Connector, 2 Pin	2422	025 16269
S 0212	Connector, 2 Pin	2422	025 16375
S 0217	Connector, 5 Pin	2422	025 12481
S 0219	Connector, 6 Pin	2422	025 12482
S 0220	Connector, 5 Pin	2422	025 04853
S 0221	Connector, 4 Pin	2422	025 15503
S 0222	Connector, 2 Pin	2422	025 10646
0223	Socket, Cinch, 9 Pin	2422	026 05236
0225	Socket, MDIN, 10 Pin	2422	026 04926
0226	Connector, 4 Pin	2422	025 12479
0229	Connector, 7 Pin	2422	025 11244
0240	Connector, 4 Pin	2422	025 12479
0242	Connector, 5 Pin	2422	025 12481
S 0243	Connector, 6 Pin	2422	025 04854
0246	Connector, 5 Pin	2422	025 12481
0267	Connector, 3 Pin	2412	020 00725
0269	Socket, Cinch, 3 Pin	2422	026 05182
0284	Connector, 4 Pin	2422	025 12479
1002	SAW Filter, 45MHz75, OFWM1971M	2422	549 44518
1200	Filter, Ceramic, 4MHz5	2422	549 40807
S 1500	Fuse, 4A, 250V, IEC	2422	086 10914
S 1515	Relay, 12V, 5A G5PA-1	2422	132 07444
1600	Switch, Tactile	2422	128 02742
1601	Switch, Tactile	2422	128 02742
1602	Switch, Tactile	2422	128 02742
1603	Switch, Tactile	2422	128 02742
1606	Switch, Tactile	2422	128 02742
1660	Crystal, 12MHz000	2422	543 01203
1831	Crystal, Resonator, 18MHz432, 12 Pin, HC49/U A	2422	543 00842
2004	Cap, 47n, 10%, 16v, Ceramic	3198	017 34730
2005	Cap, 10u, 20%, 50v, Electrolytic	3198	025 51090
2006	Cap, 470u, 20%, 16v, Electrolytic	3198	025 24710
2007	Cap, 100n, +80/-20%, 25v, Ceramic	3198	023 41040
2008	Cap, 100u, 20%, 25v, Electrolytic	3198	025 31010
2009	Cap, 22n, 10%, 25v, Ceramic	3198	017 32230
2101	Cap, 470n, +80/-20%, 16v, Ceramic	3198	017 24740
2102	Cap, 22p, 5%, 50v, Ceramic	3198	016 02290
2103	Cap, 330p, 10%, 50v, Ceramic	3198	017 33310
2104	Cap, 330p, 10%, 50v, Ceramic	3198	017 33310
2105	Cap, 10u, 20%, 50v, Electrolytic	3198	025 51090
2106	Cap, 10u, 20%, 50v, Electrolytic	3198	025 51090
2111	Cap, 22p, 5%, 50v, Ceramic	3198	016 02290
2112	Cap, 22p, 5%, 50v, Ceramic	3198	016 02290
2113	Cap, 22p, 5%, 50v, Ceramic	3198	016 02290
2121	Cap, 22p, 5%, 50v, Ceramic	3198	016 02290
2122	Cap, 330p, 10%, 50v, Ceramic	3198	017 33310
2123	Cap, 2u2, +80/-20%, 10v, Ceramic	3198	017 22250
2124	Cap, 330p, 10%, 50v, Ceramic	3198	017 33310
2125	Cap, 2u2, +80/-20%, 10v, Ceramic	3198	017 22250
2131	Cap, 330p, 10%, 50v, Ceramic	3198	017 33310
2132	Cap, 2u2, +80/-20%, 10v, Ceramic	3198	017 22250
2133	Cap, 330p, 10%, 50v, Ceramic	3198	017 33310
2134	Cap, 2u2, +80/-20%, 10v, Ceramic	3198	017 22250
2135	Cap, 22p, 5%, 50v, Ceramic	3198	016 02290
2136	Cap, 22p, 5%, 50v, Ceramic	3198	016 02290

2141	Cap, 330p, 10%, 50v, Ceramic	3198	017 33310
2143	Cap, 100n, +80/-20%, 25v, Ceramic	3198	023 41040
2150	Cap, 150n, 10%, 16v, Ceramic	2238	780 15652
2171	Cap, 2n2, 10%, 50v, Ceramic	3198	019 12220
2181	Cap, 22p, 5%, 50v, Ceramic	3198	016 02290
2184	Cap, 2u2, +80/-20%, 10v, Ceramic	3198	017 22250
2201	Cap, 100n, +80/-20%, 25v, Ceramic	3198	023 21040
2202	Cap, 100n, +80/-20%, 25v, Ceramic	3198	023 21040
2203	Cap, 100n, +80/-20%, 25v, Ceramic	3198	023 21040
2204	Cap, 100n, +80/-20%, 25v, Ceramic	3198	023 21040
2205	Cap, 220n, +80/-20%, 25v, Ceramic	3198	023 22240
2208	Cap, 100n, +80/-20%, 25v, Ceramic	3198	023 21040
2209	Cap, 10u, 20%, 50v, Electrolytic	3198	025 51090
2210	Cap, 1u, +80/-20%, 16v, Ceramic	3198	017 21050
2211	Cap, 470n, +80/-20%, 16v, Ceramic	3198	017 24740
2213	Cap, 22n, 10%, 50v, Ceramic	3198	017 02230
2214	Cap, 22n, 10%, 50v, Ceramic	3198	017 02230
2215	Cap, 22n, 10%, 50v, Ceramic	3198	017 02230
2216	Cap, 1000u, 20%, 16v, Electrolytic	3198	026 21020
2217	Cap, 22n, 10%, 25v, Ceramic	3198	017 32230
2219	Cap, 220n, +80/-20%, 25v, Ceramic	3198	023 22240
2220	Cap, 470n, 10%, 50v, Polyester	3198	014 04740
2221	Cap, 22n, 10%, 50v, Ceramic	3198	017 02230
2241	Cap, 1n5, 10%, 50v, Ceramic	3198	017 31520
2242	Cap, 1u, +80/-20%, 10v, Ceramic	3198	017 41050
2243	Cap, 2n2, 10%, 50v, Ceramic	3198	017 02220
2244	Cap, 100n, 5%, 63v, Metalized Polyest er	2222	370 76104
2245	Cap, 470n, +80/-20%, 16v, Ceramic	3198	017 24740
2247	Cap, 1000u, 20%, 16v, Electrolytic	3198	026 21020
2248	Cap, 22n, 10%, 50v, Ceramic	3198	017 02230
2249	Cap, 22n, 10%, 25v, Ceramic	3198	017 32230
2250	Cap, 2u2, 20%, 50v, Electrolytic	3198	025 52280
2252	Cap, 1n, 5%, 50v, Ceramic	3198	016 01020
2253	Cap, 1n, 5%, 50v, Ceramic	3198	016 01020
2254	Res, Zero ohm, "Chip" Jumper	3198	021 90020
2401	Cap, 2u2, 20%, 50v, Electrolytic	2020	021 90552
2402	Cap, 470p, 10%, 500v, Ceramic	3198	019 44710
2404	Cap, 47u, 20%, 50v, Electrolytic	3198	025 54790
2405	Cap, 220u, 20%, 25v, Electrolytic	3198	025 32210
2441	Cap, 1u, 20%, 50v, Electrolytic	3198	025 51080
2443	Cap, 47n, +80/-20%, 50v, Ceramic	3198	017 24730
2444	Cap, 1u, 20%, 50v, Electrolytic	3198	025 51080
2450	Cap, 47u, 20%, 160v, Electrolytic	2020	021 91139
2451	Cap, 15n, 10%, 50v, Polyester	3198	014 01530
2452	Cap, 180p, 5%, 50v, Ceramic	3198	016 01810
2455	Cap, 47u, 20%, 25v, Electrolytic	3198	025 34790
2457	Cap, 430n, 5%, 250v, Metalized Polypr opylene	2222	479 90022
2458	Cap, 2u2, 20%, 100v, Electrolytic	2020	021 91331
2459	Cap, 680p, 10%, 500v, Ceramic	3198	019 46810
2460	Cap, 100p, 5%, 50v, Ceramic	3198	016 01010
2463	Cap, 680p, 10%, 2000v, Ceramic	2020	558 90485
2464	Cap, 2u2, 5%, 160v, Metalized Polypro pylene	2222	479 90042
2465	Cap, 13n, 5%, 1600v, Polypropylene	2222	375 90157
2466	Cap, 15n, 10%, 400v, Polyester	2222	347 90219
2468	Cap, 10n, 10%, 400v, Polyester	2222	347 90218
2471	Cap, 100n, 10%, 50v, Polyester	3198	014 01040
2472	Cap, 150n, 10%, 63v, Polyester	2222	365 75154
2473	Cap, 100n, 10%, 63v, Polyester	2222	365 75104
2474	Cap, 2n2, 10%, 50v, Ceramic	3198	017 02220
2475	Cap, 2n2, 10%, 50v, Ceramic	3198	017 02220
2476	Cap, 4n7, 10%, 50v, Ceramic	3198	017 04720
2480	Cap, 47u, 20%, 25v, Electrolytic	2020	021 90586
2481	Cap, 470p, 10%, 500v, Ceramic	3198	019 44710
2482	Cap, 68n, 10%, 250v, Polyester	2222	347 90234
2485	Cap, 4u7, 20%, 250v, Electrolytic	2020	021 90856
2486	Cap, 470u, 20%, 16v, Electrolytic	2020	021 91577
2487	Cap, 47u, 20%, 50v, Electrolytic	2020	021 90854
2488	Cap, 1000u, 20%, 16v, Electrolytic	2020	021 91049
2489	Cap, 470u, 20%, 16v, Electrolytic	2020	021 91577
2491	Cap, 1n, 10%, 500v, Ceramic	3198	019 41020
S 2500	Cap, 470n, 20%, 275v, Polypropylene	2022	330 00018
2501	Cap, 2n2, 10%, 1000v, Ceramic	3198	019 52220
2502	Cap, 2n2, 10%, 1000v, Ceramic	3198	019 52220
2503	Cap, 470u, 20%, 200v, Electrolytic	2020	024 90626
2505	Cap, 2n2, 10%, 1000v, Ceramic	3198	019 52220
2507	Cap, 470p, 10%, 50v, Ceramic	3198	017 04710
2508	Cap, 470p, 10%, 1000v, Ceramic	3198	019 64710
S 2515	Cap, 1n5, 20%, v, Ceramic	2020	554 90128
2520	Cap, 100n, 10%, 16v, Ceramic	3198	017 01040
2521	Cap, 22u, 20%, 50v, Electrolytic	3198	025 52290
2522	Cap, 100n, 10%, 16v, Ceramic	3198	017 01040
2523	Cap, 1n5, 10%, 2000v, Ceramic	2020	558 90489
2525	Cap, 470p, 10%, 50v, Ceramic	3198	017 04710
2527	Cap, 2n2, 10%, 50v, Ceramic	3198	017 02220
2528	Cap, 1n, 10%, 50v, Ceramic	3198	017 01020
2540	Cap, 10n, 10%, 50v, Ceramic	3198	017 01030
2541	Cap, 10n, 10%, 50v, Ceramic	3198	017 01030
2560	Cap, 680p, 10%, 1000v, Ceramic	3198	019 66810
2561	Cap, 100u, 20%, 160v, Electrolytic	2020	021 91654

S = Safety Part Be sure to use exact replacement part.

32PS60B331 (continued)

2562	Cap, 1n, 10%, 50v, Ceramic	3198 019 11020	3138	Wire Jumper, 0.58MM.	3198 036 90010
2563	Cap, 100n, 10%, 50v, Polyester	3198 014 01040	3141	Res, 1K, 5%, 1/6W, Carbon Film	3198 011 01020
2564	Cap, 2u2, 20%, 25v, Electrolytic	2020 021 91353	3149	Res, 100K, 5%, 1/16W, Metalized Glass	3198 021 31040
2567	Cap, 47u, 20%, 25v, Electrolytic	3198 025 34790	3150	Res, 150K, 5%, 1/16W, Metalized Glass	3198 021 31540
2568	Cap, 1u, 20%, 50v, Electrolytic	3198 025 51080	3154	Res, 5K6, 5%, 1/6W, Carbon Film.	3198 011 05620
2580	Cap, 47u, 20%, 16v, Electrolytic	3198 028 24790	3156	Res, 10K, 5%, 1/6W, Carbon Film.	3198 011 01030
2581	Cap, 22u, 20%, 50v, Electrolytic	3198 025 52290	3157	Res, 1K5, 5%, 1/16W, Metalized Glass	3198 021 31520
2601	Cap, 220n, +80/-20%, 25v, Ceramic.	3198 023 22240	3158	Res, 10K, 5%, 1/10W, Metalized Glass	3198 021 51030
2602	Cap, 100p, 5%, 50v, Ceramic.	3198 016 01010	3159	Res, 1K2, 1%, 1/8W, Metalized Glass.	2322 734 61202
2606	Cap, 1n, 10%, 50v, Ceramic	3198 017 01020	3170	Res, 68K, 5%, 1/6W, Carbon Film.	3198 011 06830
2607	Cap, 33p, 5%, 50v, Ceramic	3198 016 33390	3172	Res, 68K, 5%, 1/6W, Carbon Film.	3198 011 06830
2608	Cap, 1u, +80/-20%, 10v, Ceramic.	3198 017 41050	3173	Res, 3K9, 5%, 1/6W, Carbon Film.	3198 011 03920
2609	Cap, 33p, 5%, 50v, Ceramic	3198 016 33390	3174	Res, 8K2, 5%, 1/6W, Carbon Film.	3198 011 08220
2611	Cap, 1u, +80/-20%, 10v, Ceramic.	3198 017 41050	3175	Res, 8K2, 5%, 1/6W, Carbon Film.	3198 011 08220
2612	Cap, 68p, 5%, 50v, Ceramic	3198 016 06890	3176	Res, 100 ohm, 5%, 1/6W, Carbon Film.	3198 011 01010
2613	Cap, 68p, 5%, 50v, Ceramic	3198 016 06890	3177	Res, 8K2, 5%, 1/6W, Carbon Film.	3198 011 08220
2615	Cap, 1n, 10%, 50v, Ceramic	3198 017 01020	3178	Res, 3K9, 5%, 1/6W, Carbon Film.	3198 011 03920
2618	Cap, 1u, +80/-20%, 10v, Ceramic.	3198 017 41050	3179	Res, 2K2, 5%, 1/6W, Carbon Film.	3198 011 02220
2619	Cap, 1u, +80/-20%, 16v, Ceramic.	3198 017 21050	3200	Res, 390 ohm, 5%, 1/6W, Carbon Film.	3198 011 03910
2691	Cap, 220u, 20%, 25v, Electrolytic.	3198 025 32210	3201	Res, 100 ohm, 5%, 1/6W, Carbon Film.	3198 011 01010
2801	Cap, 22u, 20%, 50v, Electrolytic	3198 025 52290	3202	Res, 100 ohm, 5%, 1/6W, Carbon Film.	3198 011 01010
2802	Cap, 220n, +80/-20%, 16v, Ceramic.	3198 017 42240	3203	Res, 100 ohm, 5%, 1/6W, Carbon Film.	3198 011 01010
2804	Cap, 2u2, +80/-20%, 10v, Ceramic	3198 017 22250	3204	Res, 22K, 5%, 1/6W, Carbon Film.	3198 011 02230
2805	Res, Zero ohm, "Chip" Jumper	3198 021 90020	3206	Res, 270K, 5%, 1/8W, Metalized Glass	2322 730 61274
2806	Res, Zero ohm, "Chip" Jumper	3198 021 90020	3207	Res, 1K, 5%, 1/6W, Carbon Film	3198 011 01020
2831	Cap, 1p, 25%, 50v, Ceramic	3198 016 31080	3208	Res, 220 ohm, 5%, 1/16W, Metalized Gl	ass. 3198 021 32210
2832	Cap, 1p, 25%, 50v, Ceramic	3198 016 31080	3209	Res, 68 ohm, 5%, 1/16W, Metalized Gla	ss. 3198 021 36890
2833	Cap, 47p, 5%, 50v, Ceramic	3198 016 34790	3212	Res, 470 ohm, 5%, 1/16W, Metalized Gl	ass. 3198 021 34710
2834	Cap, 470p, 5%, 50v, Ceramic.	3198 016 34710	3213	Res, 560 ohm, 5%, 1/6W, Carbon Film.	3198 011 05610
2835	Cap, 220p, 5%, 50v, Ceramic.	3198 016 32210	3214	Res, 100 ohm, 5%, 1/10W, Metalized Gl	ass. 3198 021 51010
2836	Cap, 1n5, 10%, 50v, Ceramic.	3198 017 31520	3215	Res, 560 ohm, 5%, 1/16W, Metalized Gl	ass. 3198 021 35610
2837	Cap, 4u7, 20%, 50v, Electrolytic	3198 025 54780	3216	Res, 68 ohm, 5%, 1/6W, Carbon Film	3198 011 06890
2840	Cap, 100n, +80/-20%, 25v, Ceramic.	3198 023 41040	3217	Res, 330K, 5%, 1/16W, Metalized Glass	3198 021 33340
2841	Cap, 10u, 20%, 50v, Electrolytic	3198 025 51090	3218	Res, 82K, 5%, 1/10W, Metalized Glass	3198 021 58230
2842	Cap, 100n, +80/-20%, 25v, Ceramic.	3198 023 41040	3219	Res, 2K2, 5%, 1/16W, Metalized Glass	3198 021 32220
2843	Cap, 10u, 20%, 50v, Electrolytic	3198 025 51090	3220	Res, 100 ohm, 5%, 1/6W, Carbon Film.	3198 011 01010
2844	Cap, 10u, 20%, 50v, Electrolytic	3198 025 51090	3221	Res, 560 ohm, 5%, 1/6W, Carbon Film.	3198 011 05610
2845	Cap, 100n, +80/-20%, 25v, Ceramic.	3198 023 41040	3222	Res, 100 ohm, 5%, 1/6W, Carbon Film.	3198 011 01010
2846	Cap, 100u, 20%, 25v, Electrolytic.	3198 025 31010	3223	Res, 100 ohm, 5%, 1/10W, Metalized Gl	ass. 3198 021 51010
2849	Cap, 1n, 5%, 25v, Ceramic.	3198 016 31020	3226	Res, 560 ohm, 5%, 1/16W, Metalized Gl	ass. 3198 021 35610
2850	Cap, 1n, 5%, 25v, Ceramic.	3198 016 31020	3235	Res, 100 ohm, 5%, 1/6W, Carbon Film.	3198 011 01010
2851	Res, Zero ohm, "Chip" Jumper	3198 021 90020	3241	Res, 22K, 5%, 1/10W, Metalized Glass	3198 021 52230
2852	Cap, 1n, 5%, 25v, Ceramic.	3198 016 31020	3242	Res, 12K, 5%, 1/10W, Metalized Glass	3198 021 51230
2853	Res, Zero ohm, "Chip" Jumper	3198 021 90020	3243	Res, 820 ohm, 5%, 1/6W, Carbon Film.	3198 011 08210
2854	Cap, 1n, 5%, 25v, Ceramic.	3198 016 31020	3244	Res, 39K, 1%, 1/8W, Metalized Glass.	2322 734 63903
2855	Cap, 33p, 5%, 50v, Ceramic	3198 016 33390	3245	Res, 10K, 5%, 1/10W, Metalized Glass	3198 021 51030
2856	Cap, 47p, 5%, 50v, Ceramic	3198 016 34790	3246	Res, 470K, 5%, 1/10W, Metalized Glass	3198 021 54740
2857	Cap, 150p, 5%, 50v, Ceramic.	3198 016 31510	3248	Res, 33K, 5%, 1/10W, Metalized Glass	3198 021 53330
2860	Cap, 180p, 5%, 50v, Ceramic.	3198 016 01810	3249	Res, 820 ohm, 5%, 1/6W, Carbon Film.	3198 011 08210
2894	Cap, 220p, 5%, 50v, Ceramic.	3198 016 32210	3250	Res, 8K2, 5%, 1/6W, Carbon Film.	3198 011 08220
2895	Cap, 560p, 5%, 25v, Ceramic.	3198 016 35610	3251	Res, 100 ohm, 5%, 1/6W, Carbon Film.	3198 011 01010
2897	Cap, 390p, 5%, 50v, Ceramic.	3198 016 03910	3256	Res, 1K, 5%, 1/10W, Metalized Glass.	3198 021 51020
2898	Cap, 10n, 10%, 50v, Ceramic.	3198 017 31030	3257	Res, 10M, 5%, 1/10W, Metalized Glass	3198 021 51060
2902	Cap, 1000u, 20%, 16v, Electrolytic	3198 026 21020	3258	Res, 100K, 5%, 1/10W, Metalized Glass	3198 021 51040
2903	Cap, 1u, 20%, 50v, Electrolytic.	3198 025 51080	3259	Res, 470K, 5%, 1/10W, Metalized Glass	3198 021 54740
2904	Cap, 470n, +80/-20%, 16v, Ceramic.	3198 017 24740	3400	Res, 330 ohm, 5%, 1/6W, Carbon Film.	3198 011 03310
2905	Cap, 1n, 10%, 50v, Ceramic	3198 017 01020	3401	Res, 33K, 5%, 1/6W, Carbon Film.	3198 011 03330
2906	Cap, 470n, +80/-20%, 16v, Ceramic.	3198 017 24740	3403	Res, 100K, 5%, 1/6W, Carbon Film.	3198 011 01040
2907	Cap, 1n, 10%, 50v, Ceramic	3198 017 01020	3404	Res, 1K, 5%, 1/6W, Carbon Film	3198 011 01020
2908	Cap, 10u, 20%, 50v, Electrolytic	3198 025 51090	3405	Res, 4R7, 5%, 1/6W, Carbon Film.	3198 011 04780
2910	Cap, 3n3, 10%, 50v, Ceramic.	3198 017 03320	3406	Res, 4R7, 5%, 1/6W, Carbon Film.	3198 011 04780
2911	Cap, 3n3, 10%, 50v, Ceramic.	3198 017 03320	3408	Res, 100 ohm, 5%, 1/6W, Carbon Film.	3198 011 01010
2950	Cap, 330p, 5%, 50v, Ceramic.	3198 016 33310	3410	Res, 10K, 5%, 1/6W, Carbon Film.	3198 011 01030
3000	Res, 100 ohm, 5%, 1/6W, Carbon Film.	3198 011 01010	3411	Res, 4R7, 5%, 1/3W, Metal Film	2306 204 03478
3001	Res, 100 ohm, 5%, 1/6W, Carbon Film.	3198 011 01010	3441	Res, 100 ohm, 5%, 1/10W, Metalized Gl	ass. 3198 021 51010
3002	Res, Zero ohm, "Chip" Jumper	3198 021 90020	3442	Res, Zero ohm, "Chip" Jumper	3198 021 90020
3003	Res, 1K5, 5%, 1/16W, Metalized Glass	3198 021 31520	3443	Res, 1M, 5%, 1/10W, Metalized Glass.	3198 021 51050
3004	Res, 8K2, 5%, 1/10W, Metalized Glass	3198 021 58220	3445	Res, 15K, 5%, 1/6W, Carbon Film.	3198 011 01530
3005	Res, 100 ohm, 5%, 1/6W, Carbon Film.	3198 011 01010	3446	Res, 5K6, 5%, 1/6W, Carbon Film.	3198 011 05620
3101	Res, 68 ohm, 5%, 1/6W, Carbon Film	3198 011 06890	3448	Res, 470 ohm, 5%, 1/6W, Carbon Film.	3198 011 04710
3102	Res, 1K, 5%, 1/10W, Metalized Glass.	3198 021 51020	3449	Res, 68 ohm, 5%, 1/6W, Carbon Film	3198 011 06890
3103	Res, 150 ohm, 5%, 1/6W, Carbon Film.	3198 011 01510	3450	Res, 33 ohm, 5%, 1/6W, Carbon Film	3198 011 03390
3104	Res, 220K, 5%, 1/10W, Metalized Glass	3198 021 52240	S 3451	Res, 10 ohm, 5%, 1/3W, Metal Film.	2306 204 03109
3105	Res, 150 ohm, 5%, 1/6W, Carbon Film.	3198 011 01510	3452	Res, 5K6, 1%, 3/5W, Metal Film	2312 915 15602
3106	Res, 220K, 5%, 1/10W, Metalized Glass	3198 021 52240	3453	Res, 1K, 5%, 1/6W, Carbon Film	3198 011 01020
3111	Res, 75 ohm, 5%, 1/6W, Carbon Film	3198 011 07590	3454	Res, 2K, 1%, 3/5W, Metal Film.	2312 915 12002
3112	Res, 100 ohm, 5%, 1/6W, Carbon Film.	3198 011 01010	3455	Res, 6R8, 5%, 1 1/3W, Metal Film	3198 012 26880
3113	Res, 75 ohm, 5%, 1/6W, Carbon Film	3198 011 07590	3458	Res, 1K, 5%, 1/6W, Carbon Film	3198 011 01020
3114	Res, 100 ohm, 5%, 1/6W, Carbon Film.	3198 011 01010	3459	Res, 15K, 5%, 1 1/3W, Metal Film	3198 012 21530
3115	Res, 75 ohm, 5%, 1/6W, Carbon Film	3198 011 07590	3460	Res, 3K9, 5%, 1/6W, Carbon Film.	3198 011 03920
3116	Res, 100 ohm, 5%, 1/6W, Carbon Film.	3198 011 01010	3463	Res, 33 ohm, 5%, 1/6W, Carbon Film.	3198 011 03390
3122	Wire Jumper, 0.58MM.	3198 036 90010	3465	Res, 27K, 1%, 3/5W, Metal Film	2312 915 12703
3123	Res, 150 ohm, 5%, 1/6W, Carbon Film.	3198 011 01510	3468	Res, 180 ohm, 5%, 1/6W, Carbon Film.	3198 011 01810
3124	Res, 47K, 5%, 1/16W, Metalized Glass	3198 021 34730	3469	Res, 3K3, 5%, 1/6W, Carbon Film.	3198 011 03320
3125	Res, 150 ohm, 5%, 1/6W, Carbon Film.	3198 011 01510			
3126	Res, 47K, 5%, 1/16W, Metalized Glass	3198 021 34730			
3131	Res, 150 ohm, 5%, 1/6W, Carbon Film.	3198 011 01510			
3132	Res, 47K, 5%, 1/16W, Metalized Glass	3198 021 34730			
3133	Res, 150 ohm, 5%, 1/6W, Carbon Film.	3198 011 01510			
3134	Res, 47K, 5%, 1/16W, Metalized Glass	3198 021 34730			
3135	Res, 75 ohm, 5%, 1/6W, Carbon Film	3198 011 07590			
3136	Res, 100 ohm, 5%, 1/6W, Carbon Film.	3198 011 01010			

S = Safety Part Be sure to use exact replacement part.

32PS60B331 (continued)

3470	Res, 150K, 5%, 1/10W, Metalized Glass	3198	021	51540	3638	Res, 75 ohm, 5%, 1/16W, Metalized Gla		
3471	Res, 4R7, 1%, 3/5W, Metal Film . . .	2312	915	14708		ss.	3198	021 37590
3472	Res, 2R2, 1%, 3/5W, Metal Film . . .	2312	915	12208	3639	Res, Zero ohm, "Chip" Jumper	3198	021 90020
3473	Res, 3R3, 1%, 3/5W, Metal Film . . .	2312	915	13308	3681	Res, 390 ohm, 5%, 1/16W, Metalized Gl		
3474	Res, 2K2, 1%, 3/5W, Metal Film . . .	2312	915	12202		ass.	3198	021 33910
3475	Res, 2K2, 1%, 3/5W, Metal Film . . .	2312	915	12202	3682	Res, 3K3, 5%, 1/10W, Metalized Glass	3198	021 53320
3477	Res, 150 ohm, 5%, 1/6W, Carbon Film.	3198	011	01510	3683	Res, 390 ohm, 5%, 1/16W, Metalized Gl		
3478	Res, 150 ohm, 5%, 1/6W, Carbon Film.	3198	011	01510		ass.	3198	021 33910
3479	Res, 2K7, 5%, 1/10W, Metalized Glass	3198	021	52720	3684	Res, 560 ohm, 5%, 1/16W, Metalized Gl		
3480	Res, 1R5, 5%, 1/4W, Carbon Film. . .	2120	101	74158		ass.	3198	021 35610
3481	Res, 15K, 1%, 3/5W, Metal Film . . .	2312	915	11503	3685	Res, 560 ohm, 5%, 1/16W, Metalized Gl		
3482	Res, 6K8, 1%, 3/5W, Metal Film . . .	2312	915	16802		ass.	3198	021 35610
3484	Res, 3K9, 5%, 1/6W, Carbon Film. . .	3198	011	03920	3686	Res, 1K5, 5%, 1/16W, Metalized Glass	3198	021 31520
3486	Res, 33 ohm, 5%, 2 1/2W, Metal Film.	3198	012	33390	3691	Res, 330 ohm, 5%, 1/16W, Metalized Gl		
3488	Res, 4R7, 5%, 1/2W, Metal Film . . .	2306	207	03478		ass.	3198	021 33310
3490	Res, 8K2, 5%, 1/6W, Carbon Film. . .	3198	011	08220	3693	Res, 220 ohm, 5%, 1/16W, Metalized Gl		
3492	Res, 1K, 5%, 1/10W, Metalized Glass.	3198	021	51020		ass.	3198	021 32210
3493	Res, 2R2, 5%, 1/3W, Metal Film . . .	2306	204	03228	3694	Res, 4K7, 5%, 1/10W, Metalized Glass	3198	021 54720
3494	Res, 4R7, 5%, 1/2W, Metal Film . . .	2306	207	03478	3801	Res, 220 ohm, 5%, 1/6W, Carbon Film.	3198	011 02210
3495	Res, 22K, 5%, 1/10W, Metalized Glass	3198	021	52230	3802	Res, 1K, 5%, 1/6W, Carbon Film . . .	3198	011 01020
3496	Res, 100K, 5%, 1/10W, Metalized Glass	3198	021	51040	3809	Res, 75 ohm, 5%, 1/16W, Metalized Gla		
3497	Res, 100K, 5%, 1/10W, Metalized Glass	3198	021	51040		ss.	3198	021 37590
3498	Res, 12K, 5%, 1/10W, Metalized Glass	3198	021	51230	3810	Res, 75 ohm, 5%, 1/16W, Metalized Gla		
3499	Res, 10K, 5%, 1/10W, Metalized Glass	3198	021	51030		ss.	3198	021 37590
S 3500	Res, 3M3, 5%, 1/2W, Metalized Glass.	2322	242	13335	3831	Res, 47K, 5%, 1/16W, Metalized Glass	3198	021 34730
S 3501	Res, 3M3, 5%, 1/2W, Metalized Glass.	2322	242	13335	3832	Res, 100 ohm, 5%, 1/6W, Carbon Film.	3198	011 01010
S 3504	PTC, DC, 120V, P3020 B.	2120	661	00025	3833	Res, 100 ohm, 5%, 1/6W, Carbon Film.	3198	011 01010
S 3506	Res, 1M5, 5%, 1/2W, Metalized Glass.	2322	242	13155	3836	Res, 1K, 5%, 1/10W, Metalized Glass.	3198	021 51020
S 3507	Surge Protector.	2422	549	43073	3837	Res, 100 ohm, 5%, 1/6W, Carbon Film.	3198	011 01010
S 3508	Res, 220 ohm, 20%, 1/2W, Carbon Film	3198	013	02210	3838	Res, 1K, 5%, 1/10W, Metalized Glass.	3198	021 51020
S 3510	NTC, DC, B57237, 3W1, 4R7, 20% . . .	2122	612	00056	3839	Res, 100 ohm, 5%, 1/6W, Carbon Film.	3198	011 01010
3519	Res, 270 ohm, 5%, 1/6W, Carbon Film.	3198	011	02710	3843	Res, 2K2, 5%, 1/16W, Metalized Glass	3198	021 32220
3520	Res, 1K2, 5%, 1/10W, Metalized Glass	3198	021	51220	3901	Res, 1K, 5%, 1/10W, Metalized Glass.	3198	021 51020
3521	Res, 4R7, 5%, 1/6W, Carbon Film. . .	3198	011	04780	3902	Res, 3K3, 5%, 1/10W, Metalized Glass	3198	021 53320
3522	Res, 330K, 5%, 1/10W, Metalized Glass	3198	021	53340	3903	Res, 3K3, 5%, 1/10W, Metalized Glass	3198	021 53320
S 3523	Res, 100 ohm, 5%, 1/3W, Metal Film . .	2306	204	03101	3904	Res, 10K, 5%, 1/10W, Metalized Glass	3198	021 51030
3524	Res, 56K, 5%, 1/10W, Metalized Glass	3198	021	55630	3905	Res, 3K3, 5%, 1/10W, Metalized Glass	3198	021 53320
3525	Res, 1K, 5%, 1/10W, Metalized Glass.	3198	021	51020	3906	Res, 10K, 5%, 1/10W, Metalized Glass	3198	021 51030
3526	Res, 0R1, 5%, 3/5W, Metal Film . . .	3198	012	11070	3907	Res, 8K2, 5%, 1/10W, Metalized Glass	3198	021 58220
3527	Res, 0R33, 5%, 3/5W, Metal Film. . .	3198	012	13370	4001	Res, Zero ohm, "Chip" Jumper	3198	021 90020
3528	Res, Zero ohm, "Chip" Jumper	3198	021	90020	4002	Res, Zero ohm, "Chip" Jumper	3198	021 90020
3529	Res, 47K, 5%, 1/10W, Metalized Glass	3198	021	54730	4170	Res, Zero ohm, "Chip" Jumper	3198	021 90020
3530	Res, 10K, 5%, 1/10W, Metalized Glass	3198	021	51030	4181	Res, Zero ohm, "Chip" Jumper	3198	021 90020
3531	Res, 4K7, 5%, 1/10W, Metalized Glass	3198	021	54720	4209	Res, Zero ohm, "Chip" Jumper	3198	021 90020
S 3532	Res, 2K2, 5%, 1/3W, Metal Film . . .	2306	204	03222	4216	Res, Zero ohm, "Chip" Jumper	3198	021 90020
3541	Res, 470 ohm, 5%, 1/10W, Metalized Gl				4217	Res, Zero ohm, "Chip" Jumper	3198	021 90020
	ass.	3198	021	54710	4401	Res, Zero ohm, "Chip" Jumper	3198	021 90020
3542	Res, 1K5, 5%, 1/10W, Metalized Glass	3198	021	51520	4402	Res, Zero ohm, "Chip" Jumper	3198	021 90020
3543	Res, 82K, 1%, 3/5W, Metal Film . . .	2312	915	18203	4430	Res, Zero ohm, "Chip" Jumper	3198	021 90020
3544	Res, 4K7, 1%, 1/8W, Metalized Glass.	2322	734	64720	4500	Res, Zero ohm, "Chip" Jumper	3198	021 90020
3545	Res, 270K, 5%, 1/8W, Metalized Glass	2322	730	61274	4601	Res, Zero ohm, "Chip" Jumper	3198	021 90020
3548	Res, 15K, 5%, 1/10W, Metalized Glass	3198	021	51530	4613	Res, Zero ohm, "Chip" Jumper	3198	021 90020
3552	Res, 4K7, 5%, 1/10W, Metalized Glass	3198	021	54720	4614	Res, Zero ohm, "Chip" Jumper	3198	021 90020
3557	Res, 1K, 5%, 1/10W, Metalized Glass.	3198	021	51020	4615	Res, Zero ohm, "Chip" Jumper	3198	021 90020
3561	Res, 100 ohm, 5%, 1/6W, Carbon Film.	3198	011	01010	4617	Res, Zero ohm, "Chip" Jumper	3198	021 90020
3562	Res, 12K, 5%, 1/10W, Metalized Glass	3198	021	51230	4618	Res, Zero ohm, "Chip" Jumper	3198	021 90020
3563	Res, 5K6, 5%, 1/10W, Metalized Glass	3198	021	55620	4619	Res, Zero ohm, "Chip" Jumper	3198	021 90020
3564	Res, 0R1, 5%, 1 1/3W, Metal Film . . .	3198	012	21070	4622	Res, Zero ohm, "Chip" Jumper	3198	021 90020
3565	Res, 330 ohm, 5%, 1W, Metal Film . . .	3198	012	13310	4623	Res, Zero ohm, "Chip" Jumper	3198	021 90020
3566	Res, 2K2, 5%, 1/10W, Metalized Glass	3198	021	52220	4691	Res, Zero ohm, "Chip" Jumper	3198	021 90020
3569	Res, 5K6, 5%, 1/10W, Metalized Glass	3198	021	55620	4692	Res, Zero ohm, "Chip" Jumper	3198	021 90020
3580	Res, 47K, 5%, 1/10W, Metalized Glass	3198	021	54730	4693	Res, Zero ohm, "Chip" Jumper	3198	021 90020
3594	Res, 330 ohm, 5%, 1/10W, Metalized Gl				4696	Res, Zero ohm, "Chip" Jumper	3198	021 90020
	ass.	3198	021	53310	4801	Res, Zero ohm, "Chip" Jumper	3198	021 90020
3595	Res, 220K, 5%, 1/10W, Metalized Glass	3198	021	52240	4831	Res, Zero ohm, "Chip" Jumper	3198	021 90020
3596	Res, 220K, 5%, 1/10W, Metalized Glass	3198	021	52240	4833	Res, Zero ohm, "Chip" Jumper	3198	021 90020
3601	Res, 8K2, 5%, 1/6W, Carbon Film. . .	3198	011	08220	4835	Res, Zero ohm, "Chip" Jumper	3198	021 90020
3603	Res, 100 ohm, 5%, 1/6W, Carbon Film.	3198	011	01010	4901	Res, Zero ohm, "Chip" Jumper	3198	021 90020
3604	Res, 100 ohm, 5%, 1/6W, Carbon Film.	3198	011	01010	4903	Res, Zero ohm, "Chip" Jumper	3198	021 90020
3605	Res, 4K7, 5%, 1/10W, Metalized Glass	3198	021	54720	4982	Res, Zero ohm, "Chip" Jumper	3198	021 90020
3606	Res, 2K2, 5%, 1/6W, Carbon Film. . .	3198	011	02220	5001	Coil, 27u.	3198	018 22790
3607	Res, 2K2, 5%, 1/6W, Carbon Film. . .	3198	011	02220	5002	Coil, 820n	3198	018 18270
3608	Res, 470 ohm, 5%, 1/6W, Carbon Film.	3198	011	04710	5201	Coil, 6u8.	3198	018 16880
3609	Res, 1K, 5%, 1/6W, Carbon Film . . .	3198	011	01020	5202	Coil, 10u.	3198	018 21090
3610	Res, 8K2, 5%, 1/6W, Carbon Film. . .	3198	011	08220	5204	Fixed, Inductor, 100MHZ, 80 ohm. . .	3198	018 90020
3611	Res, 100 ohm, 5%, 1/16W, Metalized Gl				5205	Fixed, Inductor, 100MHZ, 80 ohm. . .	3198	018 90020
	ass.	3198	021	31010	5206	Wire Jumper, 0.58MM.	3198	036 90010
3618	Res, 6K8, 5%, 1/6W, Carbon Film. . .	3198	011	06820	5241	Coil, 10u.	3198	018 21090
3622	Res, 470 ohm, 5%, 1/10W, Metalized Gl				5242	Coil, 10u.	3198	018 11090
	ass.	3198	021	54710	5401	Coil, 1m	3198	018 71020
3623	Res, 4K7, 5%, 1/10W, Metalized Glass	3198	021	54720	S 5445	Transformer, PSLOT	3128	138 21421
3624	Res, 100 ohm, 5%, 1/6W, Carbon Film.	3198	011	01010	5451	Coil, 33u.	3198	018 73390
3625	Res, 100 ohm, 5%, 1/6W, Carbon Film.	3198	011	01010	5452	Fixed, Inductor, 100MHZ, 80 ohm. . .	3198	018 90020
3626	Res, 4K7, 5%, 1/10W, Metalized Glass	3198	021	54720	5457	Coil, Linear	3128	138 53201
3627	Res, 4K7, 5%, 1/10W, Metalized Glass	3198	021	54720	5461	Transformer, Signal Driver	2422	531 02478
3628	Res, 10K, 5%, 1/10W, Metalized Glass	3198	021	51030	5463	Coil, Choke.	3128	138 37021
3630	Res, 2K2, 5%, 1/16W, Metalized Glass	3198	021	32220	5471	Coil, 3u3.	3198	018 73380
3632	Res, Zero ohm, "Chip" Jumper	3198	021	90020	5472	Coil, 3u3.	3198	018 23380
3634	Res, 100 ohm, 5%, 1/6W, Carbon Film.	3198	011	01010	5480	Coil, 47u.	2422	535 97337
3635	Res, 100 ohm, 5%, 1/6W, Carbon Film.	3198	011	01010	S 5501	Filter, Mains, 5mH, 2A	2422	549 43432
3636	Res, 100 ohm, 5%, 1/10W, Metalized Gl				S 5520	Transformer, Layer, SS39009-04 B . .	2422	531 02459
	ass.	3198	021	51010	5521	Fixed, Inductor, 100MHZ, 50R. . . .	3198	018 90010

S = Safety Part Be sure to use exact replacement part.

32PS60B331 (continued)

5560	Fixed, Inductor, 100MHz, 50R.	3198 018 90010	7580	Transistor, PNP, BC857B.	3198 010 42150
5561	Coil, 27u.	3198 018 22790	7602	IC, M24C08-WBN6.	9322 154 38682
5562	Fixed, Inductor, 100MHz, 50R.	3198 018 90010	7606	Transistor, NPN, PDTCL143ZT	9340 547 00215
5564	Fixed, Inductor, 100MHz, 50R.	3198 018 90010	7801	IC, HEF4052BT.	9333 729 50653
5602	Coil, 5u6.	3198 018 15680	7802	IC, HEF4053BT.	9333 729 60653
5603	Coil, 5u6.	3198 018 15680	7831	IC, MSP3445G-PO-B8	9322 160 81682
5604	Coil, 5u6.	3198 018 15680	7901	IC, AN7522N	9322 181 41682
5831	Coil, 6u8.	3198 018 16880	9001	Wire Jumper, 0.58MM.	3198 036 90010
5832	Coil, 6u8.	3198 018 16880	9171	Wire Jumper, 0.58MM.	3198 036 90010
5833	Coil, 6u8.	3198 018 16880	9172	Wire Jumper, 0.58MM.	3198 036 90010
5835	Coil, 12u.	3198 018 31290	9173	Wire Jumper, 0.58MM.	3198 036 90010
6001	Zener Diode, 33 volt.	3198 010 23390	9175	Wire Jumper, 0.58MM.	3198 036 90010
6006	Diode, Signal, 1N4148.	3198 010 10010	9176	Wire Jumper, 0.58MM.	3198 036 90010
6007	Diode, Signal, 1N4148.	3198 010 10010	9178	Wire Jumper, 0.58MM.	3198 036 90010
6150	Diode, Signal, BAS316.	3198 010 10630	9179	Wire Jumper, 0.58MM.	3198 036 90010
6201	Diode, Signal, BAS316.	3198 010 10630	9181	Wire Jumper, 0.58MM.	3198 036 90010
6202	Diode, Signal, BAS316.	3198 010 10630	9182	Wire Jumper, 0.58MM.	3198 036 90010
6206	Zener Diode, 6.8 volt.	3198 020 56880	9183	Wire Jumper, 0.58MM.	3198 036 90010
6400	Res, 1K, 1%, 3/5W, Metal Film.	2312 915 11002	9192	Wire Jumper, 0.58MM.	3198 036 90010
6401	Zener Diode, 47 volt.	3198 010 24790	9193	Wire Jumper, 0.58MM.	3198 036 90010
6445	Zener Diode, 10 volt.	3198 020 51090	9406	Wire Jumper, 0.58MM.	3198 036 90010
6447	Diode, Signal, 1N4148.	3198 010 10010	9407	Wire Jumper, 0.58MM.	3198 036 90010
6448	Zener Diode, 6.2 volt.	9331 668 30133	9408	Wire Jumper, 0.58MM.	3198 036 90010
6449	Diode, Signal, BAV99.	3198 010 10620	9409	Wire Jumper, 0.58MM.	3198 036 90010
6460	Diode, Rect, DG3-7005L.	9336 436 10682	9410	Wire Jumper, 0.58MM.	3198 036 90010
6461	Diode, Rect, RGP30J-L7004.	9338 617 60682	9411	Wire Jumper, 0.58MM.	3198 036 90010
6462	Zener Diode, 9.1 volt.	9331 177 80133	9412	Wire Jumper, 0.58MM.	3198 036 90010
6465	Diode, Signal, BAV21.	3198 010 10070	9413	Wire Jumper, 0.58MM.	3198 036 90010
6466	Diode, Signal, BAV21.	3198 010 10070	9414	Wire Jumper, 0.58MM.	3198 036 90010
6467	Diode, Signal, BAS316.	3198 010 10630	9415	Wire Jumper, 0.58MM.	3198 036 90010
6468	Diode, Signal, BAS316.	3198 010 10630	9416	Wire Jumper, 0.58MM.	3198 036 90010
6469	Diode, Rect, BYD33J.	9337 234 20133	9417	Wire Jumper, 0.58MM.	3198 036 90010
6470	Diode, Signal, BAV99.	3198 010 10620	9418	Wire Jumper, 0.58MM.	3198 036 90010
6476	Zener Diode, 15 volt.	3198 010 21590	9419	Wire Jumper, 0.58MM.	3198 036 90010
6481	Zener Diode, 5.6 volt.	3198 010 25680	9421	Wire Jumper, 0.58MM.	3198 036 90010
6482	Zener Diode, 9.1 volt.	9331 177 80133	9422	Wire Jumper, 0.58MM.	3198 036 90010
6483	Zener Diode, 33 volt.	3198 010 23390	9423	Wire Jumper, 0.58MM.	3198 036 90010
6485	Diode, Rect, BYD33J.	9337 234 20133	9424	Wire Jumper, 0.58MM.	3198 036 90010
6486	Diode, Rect, EGP20DL-5100.	9322 164 42682	9425	Wire Jumper, 0.58MM.	3198 036 90010
6487	Diode, Rect, BYD33D.	9337 234 00133	9426	Wire Jumper, 0.58MM.	3198 036 90010
6488	Diode, Rect, EGP20DL-5100.	9322 164 42682	9427	Wire Jumper, 0.58MM.	3198 036 90010
6500	Diode, Bridge Rect, GBU4JL-7002.	9322 132 55667	9453	Wire Jumper, 0.58MM.	3198 036 90010
6520	Diode, Rect, BYD33D.	9337 234 00133	9460	Wire Jumper, 0.58MM.	3198 036 90010
6523	Diode, Signal, 1N4148.	3198 010 10010	9463	Wire Jumper, 0.58MM.	3198 036 90010
6524	Diode, Rect, 1N5062.	3198 010 10120	9500	Wire Jumper, 0.58MM.	3198 036 90010
6525	Diode, Rect, 1N5062.	3198 010 10120	9501	Wire Jumper, 0.58MM.	3198 036 90010
6526	Zener Diode, 22 volt.	3198 020 52290	9503	Wire Jumper, 0.58MM.	3198 036 90010
6540	Zener Diode, 6.2 volt.	9331 668 30133	9506	Wire Jumper, 0.58MM.	3198 036 90010
6541	Zener Diode, 10 volt.	3198 020 51090	9507	Wire Jumper, 0.58MM.	3198 036 90010
6560	Diode, Rect, BYV29X-500.	9340 555 59127	9510	Wire Jumper, 0.58MM.	3198 036 90010
6562	Diode, Rect, EGP20DL-5100.	9322 164 42682	9512	Wire Jumper, 0.58MM.	3198 036 90010
6563	Diode, Signal, BAS316.	3198 010 10630	9513	Wire Jumper, 0.58MM.	3198 036 90010
6565	Diode, Signal, BAV70.	9331 849 10215	9514	Wire Jumper, 0.58MM.	3198 036 90010
6566	Diode, Signal, 1N4148.	3198 010 10010	9515	Wire Jumper, 0.58MM.	3198 036 90010
6569	Diode, Signal, BAS316.	3198 010 10630	9516	Wire Jumper, 0.58MM.	3198 036 90010
6570	Zener Diode, 6.8 volt.	3198 020 56880	9518	Wire Jumper, 0.58MM.	3198 036 90010
6580	Diode, Signal, BAS316.	3198 010 10630	9520	Wire Jumper, 0.58MM.	3198 036 90010
6681	Diode, Signal, BAT85.	9336 247 60133	9521	Wire Jumper, 0.58MM.	3198 036 90010
6691	LED, LTL-10224WHCR.	9322 050 99682	9522	Wire Jumper, 0.58MM.	3198 036 90010
6692	IR Receiver, TSOP1836UH3V.	9322 127 54667	9524	Wire Jumper, 0.58MM.	3198 036 90010
6831	Diode, Signal, 1N4148.	3198 010 10010	9525	Wire Jumper, 0.58MM.	3198 036 90010
6901	Res, Zero ohm, "Chip" Jumper.	3198 021 90020	9528	Wire Jumper, 0.58MM.	3198 036 90010
7101	Transistor, NPN, BC847B.	3198 010 42030	9610	Wire Jumper, 0.58MM.	3198 036 90010
7102	Transistor, PNP, BC857B.	3198 010 42150	9611	Coil, 27u.	3198 018 22790
7103	Transistor, NPN, BC847B.	3198 010 42030	9612	Wire Jumper, 0.58MM.	3198 036 90010
7172	Transistor, PNP, BC857B.	3198 010 42150	9613	Wire Jumper, 0.58MM.	3198 036 90010
7173	Transistor, NPN, BC847B.	3198 010 42030	9614	Wire Jumper, 0.58MM.	3198 036 90010
7174	Transistor, NPN, BC857B.	3198 010 42150	9615	Wire Jumper, 0.58MM.	3198 036 90010
7200	IC, TDA9588H/N1/3/0833.	9352 716 35557	9616	Wire Jumper, 0.58MM.	3198 036 90010
7201	Transistor, NPN, BC847B.	3198 010 42030	9617	Wire Jumper, 0.58MM.	3198 036 90010
7204	Transistor, PNP, BC857B.	3198 010 42150	9618	Wire Jumper, 0.58MM.	3198 036 90010
7205	Transistor, PNP, BC857B.	3198 010 42150	9619	Wire Jumper, 0.58MM.	3198 036 90010
7208	Transistor, PNP, BC857B.	3198 010 42150	9620	Wire Jumper, 0.58MM.	3198 036 90010
7400	FET Power, STP3NC60FP.	9322 157 37687	9621	Wire Jumper, 0.58MM.	3198 036 90010
7441	Transistor, PNP, BC857B.	3198 010 42150	9622	Wire Jumper, 0.58MM.	3198 036 90010
7443	Transistor, PNP, BC557B.	3198 020 40110	9623	Wire Jumper, 0.58MM.	3198 036 90010
7460	Transistor, NPN, BU4508DX.	9340 550 92127	9624	Wire Jumper, 0.58MM.	3198 036 90010
7461	Transistor, NPN, BC337-25.	3198 020 43530	9625	Wire Jumper, 0.58MM.	3198 036 90010
7462	Transistor, NPN, PDTCL143ZT.	9340 547 00215	9626	Wire Jumper, 0.58MM.	3198 036 90010
7463	Transistor, PNP, BC327-25.	3198 020 43430	9627	Wire Jumper, 0.58MM.	3198 036 90010
7471	IC, TDA8359J/N2.	9352 701 64112	9628	Wire Jumper, 0.58MM.	3198 036 90010
7480	Transistor, NPN, BD135.	3198 020 41010	9629	Wire Jumper, 0.58MM.	3198 036 90010
7482	Transistor, NPN, BD135.	3198 020 41010	9630	Wire Jumper, 0.58MM.	3198 036 90010
S 7515	Optic, Coupler, TCET1104(G).	9322 175 72667	9631	Wire Jumper, 0.58MM.	3198 036 90010
7520	IC, TEA1507P/N1.	9352 673 56112	9632	Wire Jumper, 0.58MM.	3198 036 90010
7521	FET Power, STP8NC50FP.	9322 160 72687	9633	Wire Jumper, 0.58MM.	3198 036 90010
7522	Transistor, NPN, BC847B.	3198 010 42030	9634	Wire Jumper, 0.58MM.	3198 036 90010
7540	Transistor, NPN, BC547B.	3198 020 40030	9637	Wire Jumper, 0.58MM.	3198 036 90010
7541	Transistor, NPN, PDTCL14ET.	9340 310 10215	9638	Wire Jumper, 0.58MM.	3198 036 90010
7542	Transistor, NPN, BC857B.	3198 010 42150	9639	Wire Jumper, 0.58MM.	3198 036 90010
7560	IC, L78L33ACZ.	9322 134 92676	9640	Wire Jumper, 0.58MM.	3198 036 90010
7561	Transistor, NPN, PDTCL143ZT.	9340 547 00215	9641	Wire Jumper, 0.58MM.	3198 036 90010

S = Safety Part Be sure to use exact replacement part.

32PS60B331 (continued)

9642	Wire Jumper, 0.58MM.	3198 036 90010	S 0244	Connector, 5 Pin	2422 025 04853
9643	Wire Jumper, 0.58MM.	3198 036 90010	S 0245	Connector, 6 Pin	2422 025 04854
9644	Wire Jumper, 0.58MM.	3198 036 90010	S 0254	Socket, CRT, 9 Pin, N-Neck	2422 500 80076
9645	Wire Jumper, 0.58MM.	3198 036 90010	2330	Cap, 100n, 10%, 250v, Metalized Polyp ropylene	2222 368 90177
9646	Wire Jumper, 0.58MM.	3198 036 90010	2340	Cap, 10u, 20%, 250v, Electrolytic	2020 012 93495
9648	Wire Jumper, 0.58MM.	3198 036 90010	2341	Cap, 3n3, 10%, 500v, Ceramic	3198 019 43320
9650	Wire Jumper, 0.58MM.	3198 036 90010	2342	Cap, 560p, 5%, 50v, Ceramic	3198 016 05610
9654	Wire Jumper, 0.58MM.	3198 036 90010	2343	Cap, 3n3, 10%, 2000v, Ceramic	2020 558 90529
9655	Wire Jumper, 0.58MM.	3198 036 90010	2344	Cap, 100n, ±20%, 25v, Ceramic	3198 023 21040
9656	Wire Jumper, 0.58MM.	3198 036 90010	2345	Cap, 1n, 10%, 500v, Ceramic	3198 019 41020
9657	Wire Jumper, 0.58MM.	3198 036 90010	3331	Res, 100 ohm, 5%, 1/6W, Carbon Film	3198 011 01010
9658	Wire Jumper, 0.58MM.	3198 036 90010	3332	Res, 1K, 20%, 1/2W, Carbon Film	3198 013 01020
9659	Wire Jumper, 0.58MM.	3198 036 90010	3333	Res, 100 ohm, 5%, 1/6W, Carbon Film	3198 011 01010
9660	Wire Jumper, 0.58MM.	3198 036 90010	3334	Res, 1K, 20%, 1/2W, Carbon Film	3198 013 01020
9661	Wire Jumper, 0.58MM.	3198 036 90010	3335	Res, 100 ohm, 5%, 1/6W, Carbon Film	3198 011 01010
9662	Wire Jumper, 0.58MM.	3198 036 90010	3336	Res, 1K, 20%, 1/2W, Carbon Film	3198 013 01020
9663	Wire Jumper, 0.58MM.	3198 036 90010	S 3340	Res, 10 ohm, 5%, 1/2W, Metal Film	2306 207 03109
9664	Wire Jumper, 0.58MM.	3198 036 90010	S 3341	Res, 1 ohm, 5%, 1/3W, Metal Film	2306 204 03108
9665	Wire Jumper, 0.58MM.	3198 036 90010	S 3342	Res, 1 ohm, 5%, 1/3W, Metal Film	2306 204 03108
9666	Wire Jumper, 0.58MM.	3198 036 90010	3343	Res, 1K5, 20%, 1/2W, Carbon Film	3198 013 01520
9668	Wire Jumper, 0.58MM.	3198 036 90010	3344	Res, 22 ohm, 5%, 1/6W, Carbon Film	3198 011 02290
9669	Wire Jumper, 0.58MM.	3198 036 90010	S 3345	VDR, DC, 1mA, 50V, MAX, 115V	2322 593 13507
9670	Wire Jumper, 0.58MM.	3198 036 90010	3346	Res, 22 ohm, 5%, 1/6W, Carbon Film	3198 011 02290
9672	Wire Jumper, 0.58MM.	3198 036 90010	3347	Res, Zero ohm, "Chip" Jumper	3198 021 90020
9674	Wire Jumper, 0.58MM.	3198 036 90010	3350	Res, Zero ohm, "Chip" Jumper	3198 021 90020
9675	Wire Jumper, 0.58MM.	3198 036 90010	3353	Res, Zero ohm, "Chip" Jumper	3198 021 90020
9676	Wire Jumper, 0.58MM.	3198 036 90010	5342	Coil, 15u.	2422 535 97331
9678	Wire Jumper, 0.58MM.	3198 036 90010	6331	Diode, Signal, BAV21	3198 010 10070
9679	Wire Jumper, 0.58MM.	3198 036 90010	6332	Diode, Signal, BAS316	3198 010 10630
9680	Wire Jumper, 0.58MM.	3198 036 90010	6333	Diode, Signal, BAV21	3198 010 10070
9683	Wire Jumper, 0.58MM.	3198 036 90010	6335	Diode, Signal, BAV21	3198 010 10070
9685	Wire Jumper, 0.58MM.	3198 036 90010	7330	IC, TDA6107Q/N2	9352 576 50112
9686	Wire Jumper, 0.58MM.	3198 036 90010	9311	Wire Jumper, 0.58MM.	3198 036 90010
9687	Wire Jumper, 0.58MM.	3198 036 90010	9341	Wire Jumper, 0.58MM.	3198 036 90010
9688	Wire Jumper, 0.58MM.	3198 036 90010	9342	Wire Jumper, 0.58MM.	3198 036 90010
9689	Wire Jumper, 0.58MM.	3198 036 90010	9343	Wire Jumper, 0.58MM.	3198 036 90010
9690	Wire Jumper, 0.58MM.	3198 036 90010			
9691	Wire Jumper, 0.58MM.	3198 036 90010			
9694	Wire Jumper, 0.58MM.	3198 036 90010			
9695	Wire Jumper, 0.58MM.	3198 036 90010			
9697	Wire Jumper, 0.58MM.	3198 036 90010			
9698	Wire Jumper, 0.58MM.	3198 036 90010			
9699	Wire Jumper, 0.58MM.	3198 036 90010			
9821	Wire Jumper, 0.58MM.	3198 036 90010			
9822	Wire Jumper, 0.58MM.	3198 036 90010			
9824	Wire Jumper, 0.58MM.	3198 036 90010			
9825	Wire Jumper, 0.58MM.	3198 036 90010			
9827	Wire Jumper, 0.58MM.	3198 036 90010			
9828	Wire Jumper, 0.58MM.	3198 036 90010			
9829	Wire Jumper, 0.58MM.	3198 036 90010			
9830	Wire Jumper, 0.58MM.	3198 036 90010			
9831	Wire Jumper, 0.58MM.	3198 036 90010			
9832	Wire Jumper, 0.58MM.	3198 036 90010			
9834	Wire Jumper, 0.58MM.	3198 036 90010			
9835	Wire Jumper, 0.58MM.	3198 036 90010			
9836	Wire Jumper, 0.58MM.	3198 036 90010			
9837	Wire Jumper, 0.58MM.	3198 036 90010			
9838	Wire Jumper, 0.58MM.	3198 036 90010			
9839	Wire Jumper, 0.58MM.	3198 036 90010			
9840	Wire Jumper, 0.58MM.	3198 036 90010			
9841	Wire Jumper, 0.58MM.	3198 036 90010			
9842	Wire Jumper, 0.58MM.	3198 036 90010			
9843	Wire Jumper, 0.58MM.	3198 036 90010			
9844	Wire Jumper, 0.58MM.	3198 036 90010			
9845	Wire Jumper, 0.58MM.	3198 036 90010			
9846	Wire Jumper, 0.58MM.	3198 036 90010			
9847	Wire Jumper, 0.58MM.	3198 036 90010			
9848	Wire Jumper, 0.58MM.	3198 036 90010			
9849	Wire Jumper, 0.58MM.	3198 036 90010			
9851	Wire Jumper, 0.58MM.	3198 036 90010			
9901	Wire Jumper, 0.58MM.	3198 036 90010			
9902	Wire Jumper, 0.58MM.	3198 036 90010			
9903	Wire Jumper, 0.58MM.	3198 036 90010			
9904	Wire Jumper, 0.58MM.	3198 036 90010			
9905	Wire Jumper, 0.58MM.	3198 036 90010			
9911	Wire Jumper, 0.58MM.	3198 036 90010			
9912	Wire Jumper, 0.58MM.	3198 036 90010			
9913	Wire Jumper, 0.58MM.	3198 036 90010			
9914	Wire Jumper, 0.58MM.	3198 036 90010			
9915	Wire Jumper, 0.58MM.	3198 036 90010			
9916	Wire Jumper, 0.58MM.	3198 036 90010			
9918	Wire Jumper, 0.58MM.	3198 036 90010			
9919	Wire Jumper, 0.58MM.	3198 036 90010			
9920	Wire Jumper, 0.58MM.	3198 036 90010			
9921	Wire Jumper, 0.58MM.	3198 036 90010			
9922	Wire Jumper, 0.58MM.	3198 036 90010			
9991	Wire Jumper, 0.58MM.	3198 036 90010			
9994	Wire Jumper, 0.58MM.	3198 036 90010			
9996	Wire Jumper, 0.58MM.	3198 036 90010			
9998	Wire Jumper, 0.58MM.	3198 036 90010			
CBA	Main Chassis Assembly	3139 187 25691			
				Side AV Panel & Headphone Parts - 313912727471	
				Side AV Panel & Headphone Parts - 313 912727471	
			CBA	Side AV Panel & Headphone Assembly	3139 127 27471
			0232	1 Pin Headphone Socket	2422 026 04747
			0250	3 Pin Cinch Socket	2422 026 04815
			0251	3 Pin Connector	2412 020 00725
			0253	6 Pin Connector	2422 025 16382
			0254	5 Pin Connector	2422 025 12481
			0255	4 Pin Connector	2422 025 12479
			2171	Cap, 470p, 10%, 50v, Ceramic	3198 019 14710
			2172	Cap, 470p, 10%, 50v, Ceramic	3198 019 14710
			2173	Cap, 470p, 10%, 50v, Ceramic	3198 019 14710
			2174	Cap, 470p, 10%, 50v, Ceramic	3198 019 14710
			2176	Cap, 470p, 10%, 50v, Ceramic	3198 019 14710
			2177	Cap, 10u, 20%, 50v, Electrolytic	3198 025 51090
			2178	Cap, 470p, 10%, 50v, Ceramic	3198 019 14710
			2179	Cap, 10u, 20%, 50v, Electrolytic	3198 025 51090
			3150	Res, 47K, 5%, 1/6W, Carbon Film	3198 011 04730
			3151	Res, 150 ohm, 5%, 1/6W, Carbon Film	3198 011 01510
			3152	Res, 47K, 5%, 1/6W, Carbon Film	3198 011 04730
			3153	Res, 150 ohm, 5%, 1/6W, Carbon Film	3198 011 01510
			3156	Res, 120 ohm, 5%, 1/6W, Carbon Film	3198 011 01210
			3157	Res, 120 ohm, 5%, 1/6W, Carbon Film	3198 011 01210
			6161	Zener Diode, 6.8 volt	3198 010 26880
			9155	Jumper	3198 036 90010
				PIP Panel Parts - 313917721831	
				PIP Panel Parts - 313917721831	
			CBA	PIP Panel Assembly	3139 177 21831
			0134	Bracket, PIP	3139 124 33161
			0192	Cable, 4 Pin, 280mm	3139 110 38681
			0193	Cable, 7 Pin, 280mm	3139 131 01731
			0194	Cable, 5 Pin, 280mm	3139 110 38811
			0195	Cable, 5 Pin, 280mm	3139 131 01741
			0197	Cable, 4 Pin, 280mm	3139 110 38681
			0198	Cable, 4 Pin, 280mm	3139 110 38681
			0216	Connector, 3 Pin	2412 020 00725
			0226	Connector, 4 Pin	2422 025 12479
			0229	Connector, 2 Pin	2422 025 16343
			0235	Connector, 2 Pin	2412 020 00724
			0240	Connector, 4 Pin	2422 025 12479
			0242	Connector, 5 Pin	2422 025 12481
			0243	Connector, 2 Pin	2412 020 00724
			0266	Connector, 3 Pin	2412 020 00725
			0284	Connector, 4 Pin	2422 025 12479
			1802	Resinator Crystal, 14M31818, 20P	2422 543 00904
			2800	Cap, 470n, +80/-20%, 16v, Ceramic	3198 017 24740
			2801	Cap, 100n, +80/-20%, 25v, Ceramic	3198 023 21040
			2802	Cap, 100n, +80/-20%, 25v, Ceramic	3198 023 21040
			2803	Cap, 47u, 20%, 25v, Electrolytic	3198 025 34790
			2804	Cap, 10u, 20%, 50v, Electrolytic	3198 025 51090
			2805	Cap, 100n, +80/-20%, 25v, Ceramic	3198 023 21040
			2806	Cap, 100u, 20%, 25v, Electrolytic	3198 025 31010
				CRT Panel Parts (Part of Main Chassis)	
				S = Safety Panel Part	

S = Safety Panel Part

32PS60B331 (continued)

2807	Cap, 47p, 5%, 50v, Ceramic	3198 016 04790	3852	Res, 12K, 5%, 1/10W, Metalized Glass	3198 021 51230
2808	Cap, 10u, 20%, 50v, Electrolytic	3198 025 51090	3853	Res, 12K, 5%, 1/10W, Metalized Glass	3198 021 51230
2809	Cap, 10n, 10%, 50v, Ceramic	3198 017 01030	3854	Res, 15K, 5%, 1/10W, Metalized Glass	3198 021 51530
2810	Cap, 10n, 10%, 50v, Ceramic	3198 017 01030	3856	Res, 820 ohm, 5%, 1/10W, Metalized Gl ass.	3198 021 58210
2811	Cap, 10n, 10%, 50v, Ceramic	3198 017 01030	3857	Res, Zero ohm, "Chip" Jumper	3198 021 90020
2812	Cap, 47u, 20%, 25v, Electrolytic	3198 025 34790	3858	Res, 1K2, 5%, 1/10W, Metalized Glass	3198 021 51220
2813	Cap, 10u, 20%, 50v, Electrolytic	3198 025 51090	3859	Res, 47K, 5%, 1/10W, Metalized Glass	3198 021 54730
2814	Cap, 10n, 10%, 50v, Ceramic	3198 017 01030	3860	Res, 1K8, 5%, 1/10W, Metalized Glass	3198 021 51820
2815	Cap, 10n, 10%, 50v, Ceramic	3198 017 01030	3862	Res, 33 ohm, 5%, 1/10W, Metalized Gla ss.	3198 021 53390
2816	Cap, 10n, 10%, 50v, Ceramic	3198 017 01030	3865	Res, 150 ohm, 5%, 1/6W, Carbon Film.	3198 011 01510
2819	Cap, 12p, 5%, 50v, Ceramic	3198 016 01290	3890	Res, 68 ohm, 5%, 1/6W, Carbon Film . .	3198 011 06890
2820	Cap, 220n, +80/-20%, 25v, Ceramic.	3198 023 22240	4800	Res, Zero ohm, "Chip" Jumper	3198 021 90020
2821	Cap, 220n, +80/-20%, 25v, Ceramic.	3198 023 22240	4870	Res, Zero ohm, "Chip" Jumper	3198 021 90020
2822	Cap, 33n, 10%, 50v, Ceramic	3198 017 03330	4871	Res, Zero ohm, "Chip" Jumper	3198 021 90020
2823	Cap, 10n, 10%, 50v, Ceramic	3198 017 01030	4872	Res, Zero ohm, "Chip" Jumper	3198 021 90020
2824	Cap, 47u, 20%, 25v, Electrolytic	3198 025 34790	4909	Res, Zero ohm, "Chip" Jumper	3198 021 90020
2825	Cap, 10n, 10%, 50v, Ceramic	3198 017 01030	5890	Coil, 10u.	3198 018 21090
2826	Cap, 560p, 5%, 50v, Ceramic	3198 016 05610	5891	Coil, 10u.	3198 018 21090
2827	Cap, 10n, 10%, 50v, Ceramic	3198 017 01030	5892	Coil, 10u.	3198 018 21090
2828	Cap, 100n, +80/-20%, 25v, Ceramic.	3198 023 21040	6800	Diode, Signal, BAT85	9336 247 60133
2829	Cap, 47u, 20%, 25v, Electrolytic	3198 025 34790	6801	Diode, Signal, BAT85	9336 247 60133
2830	Cap, 100n, +80/-20%, 25v, Ceramic.	3198 023 21040	6802	Diode, Signal, BAT85	9336 247 60133
2831	Cap, 47u, 20%, 25v, Electrolytic	3198 025 34790	6890	Zener Diode, 3.9 volt.	3198 020 53980
2832	Cap, 100n, +80/-20%, 25v, Ceramic.	3198 023 21040	7801	IC, HEF4053BT.	9333 729 60653
2833	Cap, 47u, 20%, 25v, Electrolytic	3198 025 34790	7802	IC, N74F06N.	9339 990 90602
2834	Cap, 100n, 10%, 16v, Ceramic	3198 017 01040	7803	IC, M65669SP	9322 146 60682
2837	Cap, 10n, 10%, 50v, Ceramic	3198 017 01030	7804	Transistor, NPN, BC847B.	3198 010 42030
2858	Cap, 47u, 20%, 25v, Electrolytic	3198 025 34790	7805	Transistor, NPN, BC847B.	3198 010 42030
2859	Cap, 470n, +80/-20%, 16v, Ceramic.	3198 017 24740	7806	Transistor, NPN, BC847B.	3198 010 42030
2862	Cap, 390p, 5%, 50v, Ceramic	3198 016 03910	7807	Transistor, NPN, BC847B.	3198 010 42030
2890	Cap, 100u, 20%, 25v, Electrolytic	3198 025 31010	7810	Transistor, NPN, BC847B.	3198 010 42030
2891	Cap, 10n, 10%, 50v, Ceramic	3198 017 01030	7813	Transistor, NPN, BC847B.	3198 010 42030
2892	Cap, 47u, 20%, 25v, Electrolytic	3198 025 34790	7816	Transistor, NPN, BC847B.	3198 010 42030
2893	Cap, 47u, 20%, 25v, Electrolytic	3198 025 34790	7818	IC, HEF4053BT.	9333 729 60653
2894	Cap, 10n, 10%, 50v, Ceramic	3198 017 01030	7820	Transistor, NPN, BC847B.	3198 010 42030
3801	Res, 100 ohm, 5%, 1/10W, Metalized Gl ass.	3198 021 51010	7890	IC, MC78M05CT.	9334 703 90687
3802	Res, 100 ohm, 5%, 1/10W, Metalized Gl ass.	3198 021 51010	7891	Transistor, NPN, BC337	9331 796 00126
3803	Res, 1K, 5%, 1/6W, Carbon Film	3198 011 01020	9800	Wire Jumper, 0.58MM.	3198 036 90010
3804	Res, 1K5, 5%, 1/6W, Carbon Film.	3198 011 01520	9810	Wire Jumper, 0.58MM.	3198 036 90010
3805	Res, 100 ohm, 5%, 1/10W, Metalized Gl ass.	3198 021 51010	9912	Wire Jumper, 0.58MM.	3198 036 90010
3806	Res, 2K7, 5%, 1/10W, Metalized Glass	3198 021 52720	9913	Wire Jumper, 0.58MM.	3198 036 90010
3807	Res, 8K2, 5%, 1/10W, Metalized Glass	3198 021 58220	9914	Wire Jumper, 0.58MM.	3198 036 90010
3808	Res, 8K2, 5%, 1/10W, Metalized Glass	3198 021 58220	9915	Wire Jumper, 0.58MM.	3198 036 90010
3809	Res, 8K2, 5%, 1/10W, Metalized Glass	3198 021 58220	9917	Wire Jumper, 0.58MM.	3198 036 90010
3810	Res, 10K, 5%, 1/10W, Metalized Glass	3198 021 51030	9919	Wire Jumper, 0.58MM.	3198 036 90010
3812	Res, 10K, 5%, 1/10W, Metalized Glass	3198 021 51030	9920	Wire Jumper, 0.58MM.	3198 036 90010
3813	Res, 15K, 5%, 1/6W, Carbon Film.	3198 011 01530	9921	Wire Jumper, 0.58MM.	3198 036 90010
3814	Res, 1K, 5%, 1/10W, Metalized Glass.	3198 021 51020	9922	Wire Jumper, 0.58MM.	3198 036 90010
3815	Res, 1K, 5%, 1/10W, Metalized Glass.	3198 021 51020	9924	Wire Jumper, 0.58MM.	3198 036 90010
3816	Res, 820 ohm, 5%, 1/10W, Metalized Gl ass.	3198 021 58210	9925	Wire Jumper, 0.58MM.	3198 036 90010
3817	Res, 1K, 5%, 1/10W, Metalized Glass.	3198 021 51020	9927	Wire Jumper, 0.58MM.	3198 036 90010
3818	Res, 15K, 5%, 1/10W, Metalized Glass	3198 021 51530	9928	Wire Jumper, 0.58MM.	3198 036 90010
3819	Res, 10K, 5%, 1/10W, Metalized Glass	3198 021 51030	9929	Wire Jumper, 0.58MM.	3198 036 90010
3820	Res, 1K, 5%, 1/6W, Carbon Film	3198 011 01020			
3821	Res, 390 ohm, 5%, 1/10W, Metalized Gl ass.	3198 021 53910			
3822	Res, 390 ohm, 5%, 1/10W, Metalized Gl ass.	3198 021 53910			
3823	Res, 390 ohm, 5%, 1/10W, Metalized Gl ass.	3198 021 53910			
3824	Res, 15K, 5%, 1/10W, Metalized Glass	3198 021 51530			
3827	Res, 330 ohm, 5%, 1/10W, Metalized Gl ass.	3198 021 53310			
3828	Res, 4M7, 5%, 1/10W, Metalized Glass	3198 021 54750			
3829	Res, 15K, 5%, 1/10W, Metalized Glass	3198 021 51530			
3830	Res, 2K2, 5%, 1/10W, Metalized Glass	3198 021 52220			
3831	Res, 1M, 5%, 1/10W, Metalized Glass.	3198 021 51050			
3832	Res, 100 ohm, 5%, 1/6W, Carbon Film.	3198 011 01010			
3833	Res, 100 ohm, 5%, 1/10W, Metalized Gl ass.	3198 021 51010			
3834	Res, 100 ohm, 5%, 1/10W, Metalized Gl ass.	3198 021 51010			
3836	Res, 1K, 5%, 1/10W, Metalized Glass.	3198 021 51020			
3838	Res, 220 ohm, 5%, 1/10W, Metalized Gl ass.	3198 021 52210			
3839	Res, 390 ohm, 5%, 1/10W, Metalized Gl ass.	3198 021 53910			
3840	Res, Zero ohm, "Chip" Jumper	3198 021 90020			
3843	Res, 220 ohm, 5%, 1/10W, Metalized Gl ass.	3198 021 52210			
3844	Res, 390 ohm, 5%, 1/10W, Metalized Gl ass.	3198 021 53910			
3845	Res, Zero ohm, "Chip" Jumper	3198 021 90020			
3848	Res, 220 ohm, 5%, 1/10W, Metalized Gl ass.	3198 021 52210			
3849	Res, 390 ohm, 5%, 1/10W, Metalized Gl ass.	3198 021 53910			
3850	Res, Zero ohm, "Chip" Jumper	3198 021 90020			

S = Safety Part Be sure to use exact replacement part.

32PS61S321 - Manual no. 7629

Cabinet & Accessory Parts

Cabinet & Accessory Parts		2143
S AC12	Degaussing Coil (Used w/CRT A80ECK272 X56)	2150
S AC01	AC Cord	2171
AC03	Battery, 1.5V, 2-PACK	2181
AC04	Cabinet Back	2184
AC09	Clip, Anode Lead	2201
S AC10	CRT, A80QCF340X34(N) (When Comp 2209 = 10uF)	2202
AC11	Customer Control Buttons	2203
AC13	Holder, Degaussing Coil (4 Used)	2204
AC16	Owner's Manual	2205
AC16b	Quick Use Guide	2208
REMOTEE	Remote Transmitter, RCL9041001/01	2209
AC20	Cabinet Front Assembly f/32PS61S321	2210
AC20a	Cabinet Front	2211
AC20b	Chassis Guide	2213
AC20d	Light Guide	2214
AC20e	Nameplate	2215
AC20j	Speaker, Full Range, 16ohm, 5W (2 Used)	2216
S AC21	Deflection Yoke	2217
S AC10	CRT, A80ECK272X56 (When Comp 2209 = 4.7uF)	2219
S AC12	Degaussing Coil (Used w/CRT A80QCF340 X34(N))	2220
		2221
		2241
		2242
		2243
		2244

Main Chassis Assembly Parts

Main Chassis Assembly Parts		2245
0127	Socket Fuse	2245
S 0211	Connector, 2 Pin	2245
S 0212	Connector, 2 Pin	2245
0217	Connector, 5 Pin	2247
0219	Connector, 6 Pin	2248
0220	Connector, 5 Pin	2249
S 0221	Connector, 4 Pin	2250
S 0222	Connector, 2 Pin	2252
0223	Socket, Cinch, 9 Pin	2253
0225	Socket, MDIN, 10 Pin	2254
0226	Connector, 4 Pin	2401
0229	Connector, 7 Pin	2402
0240	Connector, 4 Pin	2404
0242	Connector, 5 Pin	2405
0243	Connector, 6 Pin	2441
0246	Connector, 5 Pin	2443
0267	Connector, 3 Pin	2444
0269	Socket, Cinch, 3 Pin	2450
0284	Connector, 4 Pin	2451
3247	Res, 470K, 5%, 1/10W, Glass (Used w/CRT A80QCF340X34(N))	2452
1000	Tuner, V+U PLL	2455
1002	SAW Filter, 45MHZ75, OFWML1971M	2457
1200	Filter, Ceramic, 4MHZ5	2457
S 1500	Fuse, 4A, 250V, IEC	2457
S 1515	Relay, 1P, 12V	2458
1600	Tact Switch	2459
1601	Tact Switch	2460
1602	Tact Switch	2463
1603	Tact Switch	2463
1606	Tact Switch	2463
1660	Crystal Resonator, 12 MHz, 20P, HC49/U A	2464
1831	Crystal Resonator, 18MHZ432 12P HC49/U A	2464
2004	Cap, 47n, 10%, 16v, Ceramic	2465
2005	Cap, 10u, 20%, 50v, Electrolytic	2466
2006	Cap, 470u, 20%, 16v, Electrolytic	2466
2007	Cap, 100n, +80/-20%, 25v, Ceramic	2466
2008	Cap, 100u, 20%, 25v, Electrolytic	2468
2009	Cap, 22n, 10%, 25v, Ceramic	2468
2101	Cap, 470n, +80/-20%, 16v, Ceramic	2468
2102	Cap, 22p, 5%, 50v, Ceramic	2471
2103	Cap, 330p, 10%, 50v, Ceramic	2472
2104	Cap, 330p, 5%, 50v, Ceramic	2473
2105	Cap, 10u, 20%, 50v, Electrolytic	2474
2106	Cap, 10u, 20%, 50v, Electrolytic	2475
2111	Cap, 22p, 5%, 50v, Ceramic	2476
2112	Cap, 22p, 5%, 50v, Ceramic	2480
2113	Cap, 22p, 5%, 50v, Ceramic	2481
2121	Cap, 22p, 5%, 50v, Ceramic	2482
2122	Cap, 330p, 5%, 50v, Ceramic	2485
2123	Cap, 2u2, +80/-20%, 10v, Ceramic	2486
2124	Cap, 330p, 5%, 50v, Ceramic	2487
2125	Cap, 2u2, +80/-20%, 10v, Ceramic	2488
2131	Cap, 330p, 5%, 50v, Ceramic	2491
2132	Cap, 2u2, +80/-20%, 10v, Ceramic	2491
2133	Cap, 330p, 5%, 50v, Ceramic	2491
2134	Cap, 2u2, +80/-20%, 10v, Ceramic	2491
2135	Cap, 22p, 5%, 50v, Ceramic	2491
2136	Cap, 22p, 5%, 50v, Ceramic	2491
2141	Cap, 330p, 5%, 50v, Ceramic	2491

Cap, 100n, +80/-20%, 25v, Ceramic	3198	023	41040
Cap, 150n, 10%, 16v, Ceramic	2238	780	15652
Cap, 2n2, 10%, 50v, Ceramic	3198	019	12220
Cap, 22p, 5%, 50v, Ceramic	3198	016	02290
Cap, 2u2, +80/-20%, 10v, Ceramic	3198	017	22250
Cap, 100n, +80/-20%, 25v, Ceramic	3198	023	21040
Cap, 100n, +80/-20%, 25v, Ceramic	3198	023	21040
Cap, 100n, +80/-20%, 25v, Ceramic	3198	023	41040
Cap, 100n, +80/-20%, 25v, Ceramic	3198	023	41040
Cap, 220n, +80/-20%, 25v, Ceramic	3198	023	22240
Cap, 100n, +80/-20%, 25v, Ceramic	3198	023	41040
Cap, 4.7uF, 20%, 50v, Electrolytic (Used w/CRT A80ECK272X56)	3198	025	54780
Cap, 10uF, 20%, 50v, Electrolytic (Used w/CRT A80QCF340X34(N))	3198	025	51090
Cap, 1u, +80/-20%, 16v, Ceramic	3198	017	21050
Cap, 470n, +80/-20%, 16v, Ceramic	3198	017	24740
Cap, 22n, 10%, 50v, Ceramic	3198	017	02230
Cap, 22n, 10%, 50v, Ceramic	3198	017	02230
Cap, 22n, 10%, 50v, Ceramic	3198	017	02230
Cap, 1000u, 20%, 16v, Electrolytic	3198	026	21020
Cap, 22n, 10%, 25v, Ceramic	3198	017	32230
Cap, 220n, +80/-20%, 25v, Ceramic	3198	023	22240
Cap, 470n, 10%, 50v, Polyester	3198	014	04740
Cap, 22n, 10%, 50v, Ceramic	3198	017	02230
Cap, 1n5, 10%, 50v, Ceramic	3198	017	31520
Cap, 1u, +80/-20%, 10v, Ceramic	3198	017	41050
Cap, 2n2, 10%, 50v, Ceramic	3198	017	02220
Cap, 100n, 5%, 63v, Metallized Polyester	2222	370	76104
Cap, 220n, +80/-20%, 16v, Ceramic (Used w/CRT A80ECK272X56)	3198	023	22240
Cap, 470n, +80/-20%, 16v, Ceramic (Used w/CRT A80QCF340X34(N))	3198	017	24740
Cap, 1000u, 20%, 16v, Electrolytic	3198	026	21020
Cap, 22n, 10%, 50v, Ceramic	3198	017	02230
Cap, 22n, 10%, 25v, Ceramic	3198	017	32230
Cap, 2u2, 20%, 50v, Electrolytic	3198	025	52280
Cap, 1n, 5%, 25v, Ceramic	3198	016	31020
Cap, 1n, 5%, 25v, Ceramic	3198	016	31020
Res, Zero ohm, Chip Jumper	3198	021	90020
Cap, 2u2, 20%, 50v, Electrolytic	2020	021	90552
Cap, 470p, 10%, 500v, Ceramic	3198	019	44710
Cap, 47u, 20%, 50v, Electrolytic	3198	025	54790
Cap, 220u, 20%, 25v, Electrolytic	3198	025	32210
Cap, 1u, 20%, 50v, Electrolytic	3198	025	51080
Cap, 47n, +80/-20%, 50v, Ceramic	3198	017	24730
Cap, 1u, 20%, 50v, Electrolytic	3198	025	51080
Cap, 47u, 20%, 160v, Electrolytic	2020	021	91139
Cap, 15n, 10%, 50v, Polyester	3198	014	01530
Cap, 180p, 5%, 50v, Ceramic	3198	016	01810
Cap, 47u, 20%, 25v, Electrolytic	3198	025	34790
Cap, 430n, 5%, 250v, Polypropylene (Used w/CRT A80ECK272X56)	2222	479	90022
Cap, 470nF, 5%, 250v, Polypropylene (Used w/CRT A80QCF340X34(N))	2222	479	90023
Cap, 2u2, 20%, 100v, Electrolytic	2020	021	91331
Cap, 680p, 10%, 500v, Ceramic	3198	019	46810
Cap, 100p, 5%, 50v, Ceramic	3198	016	01010
Cap, 680p, 10%, 2kV, Ceramic (Used w/CRT A80ECK272X56)	2020	558	90485
Cap, 1.2nF, 10%, 2kV, Ceramic (Used w/CRT A80QCF340X34(N))	2020	558	90488
Cap, 2u2, 5%, 160v, Metallized Polypropylene	2222	479	90042
Cap, 13n, 5%, 1600v, Polypropylene	2222	375	90157
Cap, 10n, 10%, 400v, Polyester (Used w/CRT A80ECK272X56)	2222	347	90218
Cap, 15n, 10%, 400v, Polyester (Used w/CRT A80QCF340X34(N))	2222	347	90219
Cap, 18n, 10%, 400v, Polyester (Used w/CRT A80ECK272X56)	2222	347	90222
Cap, 10n, 10%, 400v, Polyester (Used w/CRT A80QCF340X34(N))	2222	347	90218
Cap, 100n, 10%, 50v, Polyester	3198	014	01040
Cap, 150n, 10%, 63v, Metallized Polyester	2222	365	75154
Cap, 100n, 10%, 63v, Metallized Polyester	2222	365	75104
Cap, 2n2, 10%, 50v, Ceramic	3198	017	02220
Cap, 2n2, 10%, 50v, Ceramic	3198	017	02220
Cap, 4n7, 10%, 50v, Ceramic	3198	017	04720
Cap, 47u, 20%, 25v, Electrolytic	2020	021	90586
Cap, 470p, 10%, 500v, Ceramic	3198	019	44710
Cap, 68n, 10%, 250v, Polyester	2222	347	90234
Cap, 4u7, 20%, 250v, Electrolytic	2020	021	90856
Cap, 470u, 20%, 16v, Electrolytic	2020	021	91577
Cap, 47u, 20%, 50v, Electrolytic	2020	021	90854
Cap, 1000u, 20%, 16v, Electrolytic	2020	021	91049
Cap, 470u, 20%, 16v, Electrolytic	2020	021	91577
Cap, 1n, 10%, 500v, Ceramic	3198	019	41020
Cap, 470n, 20%, 275v, Metallized Polypropylene	2222	336	29148

32PS61S321 (continued)

2501	Cap, 2n2, 10%, 1000v, Ceramic. . . .	3198 019 52220	3105	Res, 150 ohm, 5%, 1/6W, Carbon Film.	3198 011 01510
2502	Cap, 2n2, 10%, 1000v, Ceramic. . . .	3198 019 52220	3106	Res, 220K, 5%, 1/16W, Metallized Glas	3198 021 32240
2503	Cap, 470u, 20%, 200v, Electrolytic . .	2020 024 90626	3111	Res, 75 ohm, 5%, 1/6W, Carbon Film .	3198 011 07590
2505	Cap, 2n2, 10%, 1000v, Ceramic. . . .	3198 019 52220	3112	Res, 100 ohm, 5%, 1/6W, Carbon Film.	3198 011 01010
2507	Cap, 470p, 10%, 50v, Ceramic.	3198 017 04710	3113	Res, 75 ohm, 5%, 1/6W, Carbon Film .	3198 011 07590
2508	Cap, 470p, 10%, 1000v, Ceramic	3198 019 64710	3114	Res, 100 ohm, 5%, 1/6W, Carbon Film.	3198 011 01010
S 2515	Cap, 1n5, 20%, v, Ceramic.	2020 554 90128	3115	Res, 75 ohm, 5%, 1/6W, Carbon Film .	3198 011 07590
2520	Cap, 100n, 10%, 16v, Ceramic	3198 017 01040	3116	Res, 100 ohm, 5%, 1/6W, Carbon Film.	3198 011 01010
2521	Cap, 22u, 20%, 50v, Electrolytic . . .	3198 025 52290	3122	Wire Jumper, 0.58MM.	3198 036 90010
2522	Cap, 100n, 10%, 16v, Ceramic	3198 017 01040	3123	Res, 150 ohm, 5%, 1/6W, Carbon Film.	3198 011 01510
2523	Cap, 1n5, 10%, 2000v, Ceramic.	2020 558 90489	3124	Res, 47K, 5%, 1/16W, Metallized Glass	3198 021 34730
2525	Cap, 470p, 10%, 50v, Ceramic.	3198 017 04710	3125	Res, 150 ohm, 5%, 1/6W, Carbon Film.	3198 011 01510
2527	Cap, 2n2, 10%, 50v, Ceramic.	3198 017 02220	3126	Res, 47K, 5%, 1/16W, Metallized Glass	3198 021 34730
2528	Cap, 1n, 10%, 50v, Ceramic	3198 017 01020	3131	Res, 150 ohm, 5%, 1/6W, Carbon Film.	3198 011 01510
2540	Cap, 10n, 10%, 50v, Ceramic.	3198 017 01030	3132	Res, 47K, 5%, 1/16W, Metallized Glass	3198 021 34730
2541	Cap, 10n, 10%, 50v, Ceramic.	3198 017 01030	3133	Res, 150 ohm, 5%, 1/6W, Carbon Film.	3198 011 01510
2560	Cap, 680p, 10%, 1000v, Ceramic	2020 558 90472	3134	Res, 47K, 5%, 1/16W, Metallized Glass	3198 021 34730
2561	Cap, 100u, 20%, 160v, Electrolytic . .	2020 021 91654	3135	Res, 75 ohm, 5%, 1/6W, Carbon Film .	3198 011 07590
2562	Cap, 1n, 10%, 50v, Ceramic	3198 019 11020	3136	Res, 100 ohm, 5%, 1/6W, Carbon Film.	3198 011 01010
2563	Cap, 100n, 10%, 50v, Polyester	3198 014 01040	3138	Wire Jumper, 0.58MM.	3198 036 90010
2564	Cap, 2u2, 20%, 25v, Electrolytic	2020 021 91353	3141	Res, 1K, 5%, 1/6W, Carbon Film	3198 011 01020
2566	Cap, 470u, 20%, 6.3v, Electrolytic . .	3198 025 04710	3149	Res, 100K, 5%, 1/16W, Metallized Glas	3198 021 31040
2567	Cap, 47u, 20%, 25v, Electrolytic . . .	3198 025 34790	3150	Res, 150K, 5%, 1/16W, Metallized Glas	3198 021 31540
2568	Cap, 1u, 20%, 50v, Electrolytic	3198 025 51080	3154	Res, 5K6, 5%, 1/6W, Carbon Film. . . .	3198 011 05620
2580	Cap, 47u, 20%, 16v, Electrolytic	3198 028 24790	3156	Res, 10K, 5%, 1/6W, Carbon Film. . . .	3198 011 01030
2581	Cap, 22u, 20%, 50v, Electrolytic	3198 025 52290	3157	Res, 1K5, 5%, 1/16W, Metallized Glass	3198 021 31520
2601	Cap, 220n, +80/-20%, 25v, Ceramic. . .	3198 023 22240	3158	Res, 10K, 5%, 1/16W, Metallized Glass	3198 021 31030
2602	Cap, 100p, 5%, 50v, Ceramic.	3198 016 01010	3159	Res, 1K2, 1%, 1/10W, Metallized Glass	2120 108 92616
2606	Cap, 1n, 10%, 50v, Ceramic	3198 017 01020	3170	Res, 4K7, 5%, 1/6W, Carbon Film. . . .	3198 011 04720
2607	Cap, 33p, 5%, 50v, Ceramic	3198 016 33390	3172	Res, 68K, 5%, 1/6W, Carbon Film. . . .	3198 011 06830
2608	Cap, 1u, +80/-20%, 10v, Ceramic. . . .	3198 017 41050	3173	Res, 10K, 5%, 1/6W, Carbon Film. . . .	3198 011 01030
2609	Cap, 33p, 5%, 50v, Ceramic	3198 016 33390	3174	Res, 8K2, 5%, 1/6W, Carbon Film. . . .	3198 011 08220
2611	Cap, 1u, +80/-20%, 10v, Ceramic. . . .	3198 017 41050	3175	Res, 8K2, 5%, 1/6W, Carbon Film. . . .	3198 011 08220
2612	Cap, 68p, 5%, 50v, Ceramic	3198 016 06890	3176	Res, 100 ohm, 5%, 1/6W, Carbon Film.	3198 011 01010
2613	Cap, 68p, 5%, 50v, Ceramic	3198 016 06890	3177	Res, 8K2, 5%, 1/6W, Carbon Film. . . .	3198 011 08220
2615	Cap, 1n, 10%, 50v, Ceramic	3198 017 01020	3178	Res, 3K9, 5%, 1/6W, Carbon Film. . . .	3198 011 03920
2618	Cap, 1u, +80/-20%, 10v, Ceramic. . . .	3198 017 41050	3179	Res, 2K2, 5%, 1/6W, Carbon Film. . . .	3198 011 02220
2619	Cap, 1u, +80/-20%, 16v, Ceramic. . . .	3198 017 21050	3200	Res, 390 ohm, 5%, 1/6W, Carbon Film.	3198 011 03910
2691	Cap, 10u, 20%, 50v, Electrolytic	3198 025 51090	3201	Res, 100 ohm, 5%, 1/6W, Carbon Film.	3198 011 01010
2801	Cap, 22u, 20%, 50v, Electrolytic	3198 025 52290	3202	Res, 100 ohm, 5%, 1/6W, Carbon Film.	3198 011 01010
2802	Cap, 220n, +80/-20%, 25v, Ceramic. . .	3198 023 22240	3203	Res, 100 ohm, 5%, 1/6W, Carbon Film.	3198 011 01010
2804	Cap, 2u2, +80/-20%, 10v, Ceramic . . .	3198 017 22250	3204	Res, 22K, 5%, 1/6W, Carbon Film. . . .	3198 011 02230
2805	Res, Zero ohm, Chip Jumper	3198 021 90020	3206	Res, 33K, 5%, 1/16W, Glass (Used w/CR T A80ECK272X56).	3198 021 53330
2806	Res, Zero ohm, Chip Jumper	3198 021 90020	3206	Res, 270K, 5%, 1/8W, Glass (Used w/CR T A80QCF340X34(N)).	2322 730 61274
2831	Cap, 1p, 25%, 50v, Ceramic	3198 016 31080	3207	Res, 1K, 5%, 1/6W, Carbon Film	3198 011 01020
2832	Cap, 1p, 25%, 50v, Ceramic	3198 016 31080	3208	Res, 220 ohm, 5%, 1/16W, Metallized G lass	3198 021 32210
2833	Cap, 47p, 5%, 50v, Ceramic	3198 016 34790	3209	Res, 68 ohm, 5%, 1/16W, Metallized Gl ass	3198 021 36890
2834	Cap, 470p, 5%, 50v, Ceramic.	3198 016 34710	3212	Res, 470 ohm, 5%, 1/16W, Metallized G lass	3198 021 34710
2835	Cap, 220p, 5%, 50v, Ceramic.	3198 016 32210	3213	Res, 560 ohm, 5%, 1/6W, Carbon Film.	3198 011 05610
2836	Cap, 1n5, 10%, 50v, Ceramic.	3198 017 31520	3214	Res, 100 ohm, 5%, 1/10W, Metallized G lass	3198 021 51010
2837	Cap, 4u7, 20%, 50v, Electrolytic	3198 025 54780	3215	Res, 560 ohm, 5%, 1/16W, Metallized G lass	3198 021 35610
2840	Cap, 100n, +80/-20%, 25v, Ceramic. . .	3198 023 41040	3216	Res, 68 ohm, 5%, 1/6W, Carbon Film .	3198 011 06890
2841	Cap, 10u, 20%, 50v, Electrolytic	3198 025 51090	3217	Res, 330K, 5%, 1/16W, Metallized Glas	3198 021 33340
2842	Cap, 100n, +80/-20%, 25v, Ceramic. . .	3198 023 41040	3218	Res, 82K, 5%, 1/16W, Metallized Glass	3198 021 38230
2843	Cap, 10u, 20%, 50v, Electrolytic	3198 025 51090	3219	Res, 2K2, 5%, 1/16W, Metallized Glass	3198 021 32220
2844	Cap, 10u, 20%, 50v, Electrolytic	3198 025 51090	3220	Res, 100 ohm, 5%, 1/6W, Carbon Film.	3198 011 01010
2845	Cap, 100n, +80/-20%, 25v, Ceramic. . .	3198 023 41040	3221	Res, 560 ohm, 5%, 1/6W, Carbon Film.	3198 011 05610
2846	Cap, 100u, 20%, 25v, Electrolytic. . . .	3198 025 31010	3222	Res, 100 ohm, 5%, 1/6W, Carbon Film.	3198 011 01010
2849	Cap, 1n, 5%, 25v, Ceramic.	3198 016 31020	3223	Res, 100 ohm, 5%, 1/10W, Metallized G lass	3198 021 51010
2850	Cap, 1n, 5%, 25v, Ceramic.	3198 016 31020	3226	Res, 560 ohm, 5%, 1/16W, Metallized G lass	3198 021 35610
2851	Res, Zero ohm, Chip Jumper	3198 021 90020	3235	Res, 100 ohm, 5%, 1/6W, Carbon Film.	3198 011 01010
2852	Cap, 1n, 5%, 25v, Ceramic.	3198 016 31020	3241	Res, 22K, 5%, 1/16W, Metallized Glass	3198 021 32230
2853	Res, Zero ohm, Chip Jumper	3198 021 90020	3242	Res, 12K, 5%, 1/10W, Metallized Glass	3198 021 51230
2854	Cap, 1n, 5%, 25v, Ceramic.	3198 016 31020	3244	Res, 820 ohm, 5%, 1/6W, Carbon Film.	3198 011 08210
2855	Cap, 33p, 5%, 50v, Ceramic.	3198 016 33390	3245	Res, 39K, 1%, 1/10W, Metallized Glass	2120 108 92633
2856	Cap, 47p, 5%, 50v, Ceramic	3198 016 34790	3246	Res, 10k, 5%, Carbon	3198 021 51030
2857	Cap, 150p, 5%, 50v, Ceramic.	3198 016 31510	3247	Res, 680K, 5%, 1/10W, Glass (Used w/C RT A80ECK272X56).	3198 021 56840
2860	Cap, 180p, 5%, 50v, Ceramic.	3198 016 01810	3248	Res, 33K, 5%, 1/10W, Metallized Glass	3198 021 53330
2894	Cap, 220p, 5%, 50v, Ceramic.	3198 016 32210	3249	Res, 820 ohm, 5%, 1/6W, Carbon Film.	3198 011 08210
2895	Cap, 560p, 5%, 25v, Ceramic.	3198 016 35610	3250	Res, 8K2, 5%, 1/6W, Carbon Film. . . .	3198 011 08220
2897	Cap, 390p, 5%, 50v, Ceramic.	3198 016 03910	3251	Res, 100 ohm, 5%, 1/6W, Carbon Film.	3198 011 01010
2898	Cap, 10n, 10%, 50v, Ceramic.	3198 017 31030	3256	Res, 1k, 5%, Carbon.	3198 021 51020
2902	Cap, 1000u, 20%, 16v, Electrolytic . . .	3198 026 21020	3257	Res, 10M, 5%, 1/10W, Metallized Glass	3198 021 51060
2903	Cap, 1u, 20%, 50v, Electrolytic	3198 025 51080	3258	Res, 100K, 5%, 1/10W, Metallized Glas	3198 021 51040
2904	Cap, 470n, +80/-20%, 16v, Ceramic. . . .	3198 017 24740	3259	Res, 470K, 5%, 1/10W, Metallized Glas	3198 021 54740
2905	Cap, 1n, 10%, 50v, Ceramic	3198 017 01020	3400	Res, 330 ohm, 5%, 1/6W, Carbon Film.	3198 011 03310
2906	Cap, 470n, +80/-20%, 16v, Ceramic. . .	3198 017 24740	3401	Res, 33K, 5%, 1/6W, Carbon Film. . . .	3198 011 03330
2907	Cap, 1n, 10%, 50v, Ceramic	3198 017 01020	3403	Res, 100K, 5%, 1/6W, Carbon Film . . .	3198 011 01040
2908	Cap, 10u, 20%, 50v, Electrolytic	3198 025 51090	3404	Res, 1K, 5%, 1/6W, Carbon Film	3198 011 01020
2910	Cap, 3n3, 10%, 50v, Ceramic.	3198 017 03320	3405	Res, 4R7, 5%, 1/6W, Carbon Film. . . .	3198 011 04780
2911	Cap, 3n3, 10%, 50v, Ceramic.	3198 017 03320	3406	Res, 4R7, 5%, 1/6W, Carbon Film. . . .	3198 011 04780
2950	Cap, 330p, 5%, 50v, Ceramic.	3198 016 33310	3408	Res, 100 ohm, 5%, 1/6W, Carbon Film.	3198 011 01010
3000	Res, 100 ohm, 5%, 1/6W, Carbon Film.	3198 011 01010			
3001	Res, 100 ohm, 5%, 1/6W, Carbon Film.	3198 011 01010			
3002	Res, Zero ohm, Chip Jumper	3198 021 90020			
3003	Res, 1K5, 5%, 1/16W, Metallized Glass	3198 021 31520			
3004	Res, 8K2, 5%, 1/16W, Metallized Glass	3198 021 38220			
3005	Res, 100 ohm, 5%, 1/6W, Carbon Film.	3198 011 01010			
3101	Res, 68 ohm, 5%, 1/6W, Carbon Film .	3198 011 06890			
3102	Res, 1K, 5%, 1/16W, Metallized Glass	3198 021 31020			
3103	Res, 150 ohm, 5%, 1/6W, Carbon Film.	3198 011 01510			
3104	Res, 220K, 5%, 1/16W, Metallized Glas	3198 021 32240			

S = Safety Part Be sure to use exact replacement part.

32PS61S321 (continued)

3410	Res, 10K, 5%, 1/6W, Carbon Film. . .	3198 011 01030	3552	Res, 4K7, 5%, 1/10W, Metallized Glass	3198 021 54720
3411	Res, 4R7, 5%, 1/3W, Metal Film . . .	2306 204 03478	3557	Res, 1k, 5%, Carbon.	3198 021 51020
3441	Res, 100 ohm, 5%, 1/10W, Metallized Glass	3198 021 51010	3560	Res, 47 ohm, 5%, 1/6W, Carbon Film .	3198 011 04790
3442	Res, Zero ohm, Chip Jumper	3198 021 90020	3561	Res, 100 ohm, 5%, 1/6W, Carbon Film.	3198 011 01010
3443	Res, 1M, 5%, 1/10W, Metallized Glass	3198 021 51050	3562	Res, 12K, 5%, 1/10W, Metallized Glass	3198 021 51230
3445	Res, 15K, 5%, 1/6W, Carbon Film. . .	3198 011 01530	3563	Res, 5K6, 5%, 1/10W, Metallized Glass	3198 021 55620
3446	Res, 5K6, 5%, 1/6W, Carbon Film. . .	3198 011 05620	3564	Res, 0R1, 5%, 1 1/3W, Metal Film . .	3198 012 21070
3447	Res, 56 ohm, 5%, 1/4W, Carbon Film .	2120 101 74569	3565	Res, 330 ohm, 5%, 1W, Metal Film . .	3198 012 13310
3448	Res, 470 ohm, 5%, 1/6W, Carbon Film.	3198 011 04710	3566	Res, 2K2, 5%, 1/10W, Metallized Glass	3198 021 52220
3449	Res, 68 ohm, 5%, 1/6W, Carbon Film .	3198 011 06890	3567	Res, 1K8, 5%, 1/16W, Metallized Glass	3198 021 31820
3450	Res, 33 ohm, 5%, 1/6W, Carbon Film .	3198 011 03390	3568	Res, 8K2, 5%, 1/10W, Metallized Glass	3198 021 58220
S 3451	Res, 10 ohm, 5%, 1/3W, Metal Film. .	2306 204 03109	3569	Res, 5K6, 5%, 1/10W, Metallized Glass	3198 021 55620
S 3451	Res, 2R7 ohm, 5%, 1/3W, Metal Film .	2306 204 03278	3580	Res, 47K, 5%, 1/10W, Metallized Glass	3198 021 54730
3452	Res, 5K6, 1%, 3/5W, Metal Film . . .	2312 915 15602	3594	Res, 330 ohm, 5%, 1/10W, Metallized Glass	3198 021 53310
3452	Res, 35K7, 1%, 3/5W, Metal Film. . .	2312 915 13573	3595	Res, 220K, 5%, 1/10W, Metallized Glass	3198 021 52240
3453	Res, 1K, 5%, 1/6W, Carbon Film . . .	3198 011 01020	3596	Res, 220K, 5%, 1/10W, Metallized Glass	3198 021 52240
3454	Res, 24K, 1%, 3/5W, Metal Film . . .	2312 915 12403	3601	Res, 8K2, 5%, 1/6W, Carbon Film. . .	3198 011 08220
3455	Res, 6R8, 5%, 1 1/3W, Metal Film . .	3198 012 26880	3603	Res, 100 ohm, 5%, 1/6W, Carbon Film.	3198 011 01010
3458	Res, 1K, 5%, 1/6W, Carbon Film . . .	3198 011 01020	3604	Res, 100 ohm, 5%, 1/6W, Carbon Film.	3198 011 01010
3459	Res, 15K, 5%, 1 1/3W, Metal Film . .	3198 012 21530	3605	Res, 4K7, 5%, 1/16W, Metallized Glass	3198 021 34720
3460	Res, 3K9, 5%, 1/6W, Carbon Film. . .	3198 011 03920	3606	Res, 2K2, 5%, 1/6W, Carbon Film. . .	3198 011 02220
3463	Res, 33 ohm, 5%, 1/6W, Carbon Film .	3198 011 03390	3607	Res, 2K2, 5%, 1/6W, Carbon Film. . .	3198 011 02220
3465	Res, 27K, 1%, 3/5W, Metal Film . . .	2312 915 12703	3608	Res, 100 ohm, 5%, 1/6W, Carbon Film.	3198 011 01010
3468	Res, 180 ohm, 5%, 1/6W, Carbon Film.	3198 011 01810	3609	Res, 1K, 5%, 1/6W, Carbon Film . . .	3198 011 01020
3469	Res, 3K3, 5%, 1/6W, Carbon Film. . .	3198 011 03320	3610	Res, 8K2, 5%, 1/6W, Carbon Film. . .	3198 011 08220
3470	Res, 150K, 5%, 1/10W, Glass (Used w/CR RT A80ECK272X56)	3198 021 51540	3611	Res, 100 ohm, 5%, 1/16W, Metallized Glass	3198 021 31010
3470	Res, 390K, 5%, 1/8W, Glass (Used w/CR T A80QCF340X34(N))	2322 730 61394	3618	Res, 6K8, 5%, 1/6W, Carbon Film. . .	3198 011 06820
3471	Res, 3R9, 1%, 3/5W, Metal Film (Used w/CRT A80QCF340X34(N))	2312 915 13908	3622	Res, 100 ohm, 5%, 1/10W, Metallized Glass	3198 021 51010
3471	Res, 4R7, 1%, 3/5W, Metal Film (Used w/CRT A80ECK272X56)	2312 915 14708	3623	Res, 4K7, 5%, 1/16W, Metallized Glass	3198 021 34720
3472	Res, 3R9, 1%, 3/5W, Metal Film (Used w/CRT A80QCF340X34(N))	2312 915 13908	3624	Res, 100 ohm, 5%, 1/6W, Carbon Film.	3198 011 01010
3472	Res, 2R2, 1%, 3/5W, Metal Film (Used w/CRT A80ECK272X56)	2312 915 12208	3625	Res, 100 ohm, 5%, 1/6W, Carbon Film.	3198 011 01010
3473	Res, 3R3, 1%, 3/5W, Metal Film (Used w/CRT A80ECK272X56)	2312 915 13308	3626	Res, 4K7, 5%, 1/16W, Metallized Glass	3198 021 34720
3473	Res, 5R6, 1%, 3/5W, Metal Film (Used w/CRT A80QCF340X34(N))	2312 915 15608	3627	Res, 4K7, 5%, 1/16W, Metallized Glass	3198 021 34720
3474	Res, 2K2, 1%, 3/5W, Metal Film . . .	2312 915 12202	3628	Res, 10K, 5%, 1/16W, Metallized Glass	3198 021 31030
3475	Res, 2K2, 1%, 3/5W, Metal Film . . .	2312 915 12202	3630	Res, 2K2, 5%, 1/16W, Metallized Glass	3198 021 32220
3477	Res, 150 ohm, 5%, 1/6W, Carbon Film.	3198 011 01510	3632	Res, Zero ohm, Chip Jumper	3198 021 90020
3478	Res, 150 ohm, 5%, 1/6W, Carbon Film.	3198 011 01510	3634	Res, 100 ohm, 5%, 1/6W, Carbon Film.	3198 011 01010
3479	Res, 2K7, 5%, 1/10W, Metallized Glass	3198 021 52720	3635	Res, 100 ohm, 5%, 1/6W, Carbon Film.	3198 011 01010
3480	Res, 1R5, 5%, 1/4W, Carbon Film. . .	2120 101 74158	3636	Res, 100 ohm, 5%, 1/10W, Metallized Glass	3198 021 51010
3481	Res, 15K, 1%, 3/5W, Metal Film . . .	2312 915 11503	3638	Res, 75 ohm, 5%, 1/16W, Metallized Glass	3198 021 37590
3482	Res, 6K8, 1%, 3/5W, Metal Film . . .	2312 915 16802	3639	Res, Zero ohm, Chip Jumper	3198 021 90020
3484	Res, 3K9, 5%, 1/6W, Carbon Film. . .	3198 011 03920	3681	Res, 390 ohm, 5%, 1/16W, Metallized Glass	3198 021 33910
3486	Res, 33 ohm, 5%, 2 1/2W, Metal Film.	3198 012 33390	3682	Res, 3K3, 5%, 1/16W, Metallized Glass	3198 021 33320
3488	Res, 4R7, 5%, 1/2W, Metal Film . . .	2306 207 03478	3683	Res, 390 ohm, 5%, 1/16W, Metallized Glass	3198 021 33910
3490	Res, 8K2, 5%, 1/6W, Carbon Film. . .	3198 011 08220	3684	Res, 560 ohm, 5%, 1/16W, Metallized Glass	3198 021 35610
3492	Res, 1k, 5%, Carbon.	3198 021 51020	3685	Res, 560 ohm, 5%, 1/16W, Metallized Glass	3198 021 35610
3493	Res, 2R2, 5%, 1/3W, Metal Film . . .	2306 204 03228	3686	Res, 1K5, 5%, 1/16W, Metallized Glass	3198 021 31520
3494	Res, 4R7, 5%, 1/2W, Metal Film . . .	2306 207 03478	3691	Res, 330 ohm, 5%, 1/16W, Metallized Glass	3198 021 33310
3495	Res, 22k, 5%, Carbon	3198 021 52230	3693	Res, 220 ohm, 5%, 1/16W, Metallized Glass	3198 021 32210
3496	Res, 100K, 5%, 1/10W, Metallized Glass	3198 021 51040	3694	Res, 4K7, 5%, 1/16W, Metallized Glass	3198 021 34720
3497	Res, 100K, 5%, 1/10W, Metallized Glass	3198 021 51040	3801	Res, 220 ohm, 5%, 1/6W, Carbon Film.	3198 011 02210
3498	Res, 12K, 5%, 1/10W, Metallized Glass	3198 021 51230	3802	Res, 1K, 5%, 1/6W, Carbon Film . . .	3198 011 01020
3499	Res, 10k, 5%, Carbon	3198 021 51030	3809	Res, 75 ohm, 5%, 1/16W, Metallized Glass	3198 021 37590
S 3500	Res, 3M3, 5%, 1/2W, Metallized Glass	2322 242 13335	3810	Res, 75 ohm, 5%, 1/16W, Metallized Glass	3198 021 37590
S 3501	Res, 3M3, 5%, 1/2W, Metallized Glass	2322 242 13335	3831	Res, 47K, 5%, 1/16W, Metallized Glass	3198 021 34730
3504	Res, 3 ohm, +30%/-20%, 144v, PTC, Carbon Film	2122 663 00019	3832	Res, 100 ohm, 5%, 1/6W, Carbon Film.	3198 011 01010
S 3506	Res, 1M5, 5%, 1/2W, Metallized Glass	2322 242 13155	3833	Res, 100 ohm, 5%, 1/6W, Carbon Film.	3198 011 01010
S 3507	Surge Protector, DSP-301N-A21F A. .	2422 549 43073	3836	Res, 1K, 5%, 1/16W, Metallized Glass	3198 021 31020
S 3508	Res, 220 ohm, 20%, 1/2W, Carbon Film	3198 013 02210	3837	Res, 100 ohm, 5%, 1/6W, Carbon Film.	3198 011 01010
3510	Res, 4.7 ohm, 20%, 3W1, NTC, Carbon Film	2122 612 00056	3838	Res, 1K, 5%, 1/16W, Metallized Glass	3198 021 31020
3519	Res, 270 ohm, 5%, 1/6W, Carbon Film.	3198 011 02710	3839	Res, 100 ohm, 5%, 1/6W, Carbon Film.	3198 011 01010
3520	Res, 1K2, 5%, 1/10W, Metallized Glass	3198 021 51220	3843	Res, 2K2, 5%, 1/16W, Metallized Glass	3198 021 32220
3521	Res, 4R7, 5%, 1/6W, Carbon Film. . .	3198 011 04780	3901	Res, 1K, 5%, 1/16W, Metallized Glass	3198 021 31020
3522	Res, 330K, 5%, 1/10W, Metallized Glass	3198 021 53340	3902	Res, 3K3, 5%, 1/16W, Metallized Glass	3198 021 33320
S 3523	Res, 100 ohm, 5%, 1/3W, Metal Film . .	2306 204 03101	3903	Res, 3K3, 5%, 1/16W, Metallized Glass	3198 021 33320
3524	Res, 56K, 5%, 1/10W, Metallized Glass	3198 021 55630	3904	Res, 10K, 5%, 1/16W, Metallized Glass	3198 021 31030
3525	Res, 1k, 5%, Carbon.	3198 021 51020	3905	Res, 3K3, 5%, 1/16W, Metallized Glass	3198 021 33320
3526	Res, 0R1, 5%, 3/5W, Metal Film . . .	3198 012 11070	3906	Res, 10K, 5%, 1/16W, Metallized Glass	3198 021 31030
3527	Res, 0R33, 5%, 3/5W, Metal Film. . .	3198 012 13370	3907	Res, 8K2, 5%, 1/16W, Metallized Glass	3198 021 38220
3528	Res, Zero ohm, Chip Jumper	3198 021 90020	4001	Res, Zero ohm, Chip Jumper	3198 021 90020
3529	Res, 47k, 5%, 1/10W, Metallized Glass	3198 021 54730	4002	Res, Zero ohm, Chip Jumper	3198 021 90020
3530	Res, 10k, 5%, Carbon	3198 021 51030	4170	Res, Zero ohm, Chip Jumper	3198 021 90020
3531	Res, 4K7, 5%, 1/10W, Metallized Glass	3198 021 54720	4181	Res, Zero ohm, Chip Jumper	3198 021 90020
S 3532	Res, 2K2, 5%, 1/3W, Metal Film . . .	2306 204 03222	4209	Res, Zero ohm, Chip Jumper	3198 021 90020
3541	Res, 470 ohm, 5%, 1/10W, Metallized Glass	3198 021 54710	4216	Res, Zero ohm, Chip Jumper	3198 021 90020
3542	Res, 1K5, 5%, 1/10W, Metallized Glass	3198 021 51520	4217	Res, Zero ohm, Chip Jumper	3198 021 90020
3543	Res, 82K, 1%, 3/5W, Metal Film . . .	2312 915 18203	4401	Res, Zero ohm, Chip Jumper	3198 021 90020
3544	Res, 4K7, 1%, 1/8W, Metallized Glass	2322 734 64702	4402	Res, Zero ohm, Chip Jumper	3198 021 90020
3545	Res, 270K, 5%, 1/8W, Metallized Glass	2322 730 61274	4430	Res, Zero ohm, Chip Jumper	3198 021 90020
3548	Res, 15K, 5%, 1/10W, Metallized Glass	3198 021 51530			

S = Safety Part. Be sure to use exact replacement part.

32PS61S321 (continued)

4500	Res, Zero ohm, Chip Jumper	3198	021	90020	6524	Diode, Rect, 1N5062	3198	010	10120
4601	Res, Zero ohm, Chip Jumper	3198	021	90020	6525	Diode, Rect, 1N5062	3198	010	10120
4613	Res, Zero ohm, Chip Jumper	3198	021	90020	6526	Zener Diode, 22 volt	3198	020	52290
4614	Res, Zero ohm, Chip Jumper	3198	021	90020	6540	Zener Diode, 6.2 volt.	9331	668	30133
4615	Res, Zero ohm, Chip Jumper	3198	021	90020	6541	Zener Diode, 9.1 volt.	9322	150	08685
4617	Res, Zero ohm, Chip Jumper	3198	021	90020	6560	Diode, Rect, BYV29X-500.	9340	555	59127
4618	Res, Zero ohm, Chip Jumper	3198	021	90020	6562	Diode, Rect, EGP20DL-5100.	9322	164	42682
4619	Res, Zero ohm, Chip Jumper	3198	021	90020	6563	Diode, Signal, BAS316.	3198	010	10630
4622	Res, Zero ohm, Chip Jumper	3198	021	90020	6565	Diode, Signal, BAV70	9331	849	10215
4623	Res, Zero ohm, Chip Jumper	3198	021	90020	6566	Diode, Signal, 1N4148.	3198	010	10010
4691	Res, Zero ohm, Chip Jumper	3198	021	90020	6569	Diode, Signal, BAS316.	3198	010	10630
4692	Res, Zero ohm, Chip Jumper	3198	021	90020	6570	Zener Diode, 6.8 volt.	3198	020	56880
4693	Res, Zero ohm, Chip Jumper	3198	021	90020	6580	Diode, Signal, BAS316.	3198	010	10630
4696	Res, Zero ohm, Chip Jumper	3198	021	90020	6681	Diode Signal, IG BAT85	9336	247	60133
4801	Res, Zero ohm, Chip Jumper	3198	021	90020	6691	LED, VS LTL-10224WHCR.	9322	050	99682
4831	Res, Zero ohm, Chip Jumper	3198	021	90020	6692	IR, Receiver, TSOP1836UH3V	9322	127	54667
4833	Res, Zero ohm, Chip Jumper	3198	021	90020	6831	Diode, Signal, 1N4148.	3198	010	10010
4835	Res, Zero ohm, Chip Jumper	3198	021	90020	6901	Res, Zero ohm, Chip Jumper	3198	021	90020
4901	Res, Zero ohm, Chip Jumper	3198	021	90020	7101	Transistor, NPN, BC847B.	3198	010	42030
4903	Res, Zero ohm, Chip Jumper	3198	021	90020	7102	Transistor, PNP, BC857B.	3198	010	42150
4982	Res, Zero ohm, Chip Jumper	3198	021	90020	7103	Transistor, NPN, BC847B.	3198	010	42030
5001	Coil, 27u.	3198	018	22790	7172	Transistor, PNP, BC857B.	3198	010	42150
5002	Coil, 820n	3198	018	18270	7173	Transistor, NPN, BC847B.	3198	010	42030
5201	Coil, 6u8.	3198	018	16880	7174	Transistor, PNP, BC857B.	3198	010	42150
5202	Coil, 10u.	3198	018	21090	7200	IC, SM TDA9588H/N1/3	9352	716	35557
5204	Fixed, Inductor, 100MHz, 80 ohm.	3198	018	90020	7201	Transistor, NPN, BC847B.	3198	010	42030
5205	Fixed, Inductor, 100MHz, 80 ohm.	3198	018	90020	7204	Transistor, PNP, BC857B.	3198	010	42150
5206	Wire Jumper, 0.58MM.	3198	036	90010	7205	Transistor, PNP, BC857B.	3198	010	42150
5241	Coil, 10u.	3198	018	21090	7208	Transistor, PNP, BC857B.	3198	010	42150
5242	Coil, 10u.	3198	018	11090	7400	FET, Power, STP3NC60FP	9322	157	37687
5401	Coil, 1m	3198	018	71020	7441	Transistor, PNP, BC857B.	3198	010	42150
S 5445	Transformer, LOT PSLOT 29''	3128	138	21421	7443	Transistor, PNP, BC557B.	3198	020	40110
5451	Coil, 33u.	3198	018	73390	7460	Transistor, NPN, BU4508DX.	9340	550	92127
5452	Fixed, Inductor, 100MHz, 80 ohm.	3198	018	90020	7461	Transistor, NPN, BC337-25.	3198	020	43530
5457	Linear Correction Coil (Used w/CRT A8 0ECK272X56).	3128	138	53201	7462	Transistor, NPN, PDM143ZT	9340	547	00215
	Linear Correction Coil (Used w/CRT A8 0QCF340X34(N))	3128	138	55881	7463	Transistor, PNP, BC327-25.	3198	020	43430
5461	Transformer, Signal Driver, SC10015-0 0 B.	2422	531	02478	7471	IC, TDA8359J/N2.	9352	701	64112
5463	Coil, Choke.	3128	138	37021	7480	Transistor, NPN, BD135	3198	020	41010
5471	Coil, 3u3.	3198	018	73380	S 7515	Optical Coupler, TCET1104(G)	9322	175	72667
5472	Coil, 3u3.	3198	018	23380	7520	IC, TEA1507P/N1.	9352	673	56112
5480	Coil, 47u (Used w/CRT A80ECK272X56).	2422	535	97337	7521	FET Power STP8NC50FP	9322	160	72687
5480	Coil, 4u7 (Used w/CRT A80QCF340X34(N))	2422	535	94213	7522	Transistor, NPN, BC847B(COL)	3198	010	42030
S 5501	Filter, Mains, 5mH, 2A	2422	549	43432	7540	Transistor, NPN, BC547B(COL)	3198	020	40030
S 5520	Transformer, SMT Layer, SS39009-04 B	2422	531	02459	7541	Transistor, NPN, PDM144ET	9340	310	10215
5521	Fixed, Inductor, 100MHz, 50R.	3198	018	90010	7542	Transistor, PNP, BC857B(COL)	3198	010	42150
5560	Fixed, Inductor, 100MHz, 50R.	3198	018	90010	7560	IC, L78L33ACZ.	9322	134	92676
5561	Coil, 27u.	3198	018	22790	7561	Transistor, NPN, PDM143ZT	9340	547	00215
5562	Fixed, Inductor, 100MHz, 50R.	3198	018	90010	7562	Transistor, PNP, BC857B(COL)	3198	010	42150
5564	Fixed, Inductor, 100MHz, 50R.	3198	018	90010	7564	Transistor, PNP, BC857B(COL)	3198	010	42150
5602	Coil, 5u6.	3198	018	15680	7580	Transistor, PNP, BC857B(COL)	3198	010	42150
5603	Coil, 5u6.	3198	018	15680	7602	IC, M24C08-WBN6.	9322	154	38682
5604	Coil, 5u6.	3198	018	15680	7606	Transistor, NPN, PDM143ZT	9340	547	00215
5831	Coil, 6u8.	3198	018	16880	7801	IC, SM HEF4052BT	9333	729	50653
5832	Coil, 6u8.	3198	018	16880	7802	IC, SM HEF4052BT	9333	729	60653
5833	Coil, 6u8.	3198	018	16880	7831	IC, MSP3445G-PO-B8	9322	160	81682
5835	Coil, 12u.	3198	018	31290	7901	IC, AN7522N.	9322	158	65667
6001	Zener Diode, 33 volt	3198	010	23390	9001	Wire Jumper, 0.58MM.	3198	036	90010
6006	Diode, Signal, 1N4148.	3198	010	10010	9171	Wire Jumper, 0.58MM.	3198	036	90010
6007	Diode, Signal, 1N4148.	3198	010	10010	9172	Wire Jumper, 0.58MM.	3198	036	90010
6150	Diode, Signal, BAS316.	3198	010	10630	9173	Wire Jumper, 0.58MM.	3198	036	90010
6201	Diode, Signal, BAS316.	3198	010	10630	9175	Wire Jumper, 0.58MM.	3198	036	90010
6202	Diode, Signal, BAS316.	3198	010	10630	9176	Wire Jumper, 0.58MM.	3198	036	90010
6206	Zener Diode, 6.8 volt.	3198	020	56880	9178	Wire Jumper, 0.58MM.	3198	036	90010
6400	Res, 1K, 1%, 3/5W, Metal Film.	2312	915	11002	9179	Wire Jumper, 0.58MM.	3198	036	90010
6401	Zener Diode, 47 volt	3198	010	24790	9181	Wire Jumper, 0.58MM.	3198	036	90010
6445	Zener Diode, 10 volt	3198	020	51090	9182	Wire Jumper, 0.58MM.	3198	036	90010
6447	Diode, Signal, 1N4148.	3198	010	10010	9183	Wire Jumper, 0.58MM.	3198	036	90010
6448	Zener Diode, 6.2 volt.	9331	668	30133	9192	Wire Jumper, 0.58MM.	3198	036	90010
6449	Diode, Signal, BAV99	3198	010	10620	9193	Wire Jumper, 0.58MM.	3198	036	90010
6460	Diode, Rect, DG3-7005L	9336	436	10682	9406	Wire Jumper, 0.58MM.	3198	036	90010
6461	Diode, Rect, RGP30J-L7004.	9338	617	60682	9407	Wire Jumper, 0.58MM.	3198	036	90010
6462	Zener Diode, 9.1 volt.	9331	177	80133	9408	Wire Jumper, 0.58MM.	3198	036	90010
6465	Diode, Signal, BAV21	3198	010	10070	9409	Wire Jumper, 0.58MM.	3198	036	90010
6466	Diode, Signal, BAV21	3198	010	10070	9410	Wire Jumper, 0.58MM.	3198	036	90010
6467	Diode, Signal, BAS316.	3198	010	10630	9411	Wire Jumper, 0.58MM.	3198	036	90010
6468	Diode, Signal, BAS316.	3198	010	10630	9412	Wire Jumper, 0.58MM.	3198	036	90010
6469	Diode, Rect, BYD33J	9337	234	20133	9413	Wire Jumper, 0.58MM.	3198	036	90010
6470	Diode, Signal, BAV99	3198	010	10620	9414	Wire Jumper, 0.58MM.	3198	036	90010
6476	Zener Diode, 15 volt	3198	010	21590	9415	Wire Jumper, 0.58MM.	3198	036	90010
6481	Zener Diode, 5.6 volt.	3198	010	25680	9416	Wire Jumper, 0.58MM.	3198	036	90010
6482	Zener Diode, 9.1 volt.	9331	177	80133	9417	Wire Jumper, 0.58MM.	3198	036	90010
6483	Zener Diode, 33 volt	3198	010	23390	9418	Wire Jumper, 0.58MM.	3198	036	90010
6485	Diode, Rect, BYD33J	9337	234	20133	9419	Wire Jumper, 0.58MM.	3198	036	90010
6486	Diode, Rect, EGP20DL-5100.	9322	164	42682	9421	Wire Jumper, 0.58MM.	3198	036	90010
6487	Diode, Rect, BYD33D	9337	234	00133	9422	Wire Jumper, 0.58MM.	3198	036	90010
6488	Diode, Rect, EGP20DL-5100.	9322	164	42682	9423	Wire Jumper, 0.58MM.	3198	036	90010
6500	Diode, Bridge Rect, GBU4JL-7002.	9322	132	55667	9424	Wire Jumper, 0.58MM.	3198	036	90010
6520	Diode, Rect, BYD33D	9337	234	00133	9425	Wire Jumper, 0.58MM.	3198	036	90010
6523	Diode, Signal, 1N4148.	3198	010	10010	9426	Wire Jumper, 0.58MM.	3198	036	90010
					9427	Wire Jumper, 0.58MM.	3198	036	90010
					9453	Wire Jumper, 0.58MM.	3198	036	90010

S = Safety Part Be sure to use exact replacement part.

32PS61S321 (continued)

CBA	Side AV Panel & Headphone Assembly	3139	137	29181	3805	Res, 100 ohm, 5%, 1/10W, Metalized Gl		
0232	1 Pin Headphone Socket	2422	026	04747		ass.	3198	021 51010
0250	3 Pin Cinch Socket	2422	026	04815	3806	Res, 2K7, 5%, 1/10W, Metalized Glass	3198	021 52720
0251	3 Pin Connector.	2412	020	00725	3807	Res, 8K2, 5%, 1/10W, Metalized Glass	3198	021 58220
0253	6 Pin Connector.	2422	025	16382	3808	Res, 8K2, 5%, 1/10W, Metalized Glass	3198	021 58220
0254	5 Pin Connector.	2422	025	12481	3809	Res, 8K2, 5%, 1/10W, Metalized Glass	3198	021 58220
0255	4 Pin Connector.	2422	025	12479	3810	Res, 10K, 5%, 1/10W, Metalized Glass	3198	021 51030
2171	Cap, 470p, 10%, 50v, Ceramic	3198	019	14710	3812	Res, 10K, 5%, 1/10W, Metalized Glass	3198	021 51030
2172	Cap, 470p, 10%, 50v, Ceramic	3198	019	14710	3813	Res, 15K, 5%, 1/6W, Carbon Film.	3198	011 01530
2173	Cap, 470p, 10%, 50v, Ceramic	3198	019	14710	3814	Res, 1K, 5%, 1/10W, Metalized Glass.	3198	021 51020
2174	Cap, 470p, 10%, 50v, Ceramic	3198	019	14710	3815	Res, 1K, 5%, 1/10W, Metalized Glass.	3198	021 51020
2176	Cap, 470p, 10%, 50v, Ceramic	3198	019	14710	3816	Res, 820 ohm, 5%, 1/10W, Metalized Gl		
2177	Cap, 10u, 20%, 50v, Electrolytic	3198	025	51090		ass.	3198	021 58210
2178	Cap, 470p, 10%, 50v, Ceramic	3198	019	14710	3817	Res, 1K, 5%, 1/10W, Metalized Glass.	3198	021 51020
2179	Cap, 10u, 20%, 50v, Electrolytic	3198	025	51090	3818	Res, 15K, 5%, 1/10W, Metalized Glass	3198	021 51530
3150	Res, 47K, 5%, 1/6W, Carbon Film.	3198	011	04730	3819	Res, 10K, 5%, 1/10W, Metalized Glass	3198	021 51030
3151	Res, 150 ohm, 5%, 1/6W, Carbon Film.	3198	011	01510	3820	Res, 1K, 5%, 1/6W, Carbon Film.	3198	011 01020
3152	Res, 47K, 5%, 1/6W, Carbon Film.	3198	011	04730	3821	Res, 390 ohm, 5%, 1/10W, Metalized Gl		
3153	Res, 150 ohm, 5%, 1/6W, Carbon Film.	3198	011	01510		ass.	3198	021 53910
3156	Res, 120 ohm, 5%, 1/6W, Carbon Film.	3198	011	01210	3822	Res, 390 ohm, 5%, 1/10W, Metalized Gl		
3157	Res, 120 ohm, 5%, 1/6W, Carbon Film.	3198	011	01210		ass.	3198	021 53910
6161	Zener Diode, 6.8 volt.	3198	010	26880	3823	Res, 390 ohm, 5%, 1/10W, Metalized Gl		
9155	Jumper	3198	036	90010		ass.	3198	021 53910

PIP Panel Parts - 313917721831

PIP Panel Parts - 313917721831									
CBA	PIP Panel Assembly	3139	177	21831	3828	Res, 4M7, 5%, 1/10W, Metalized Glass	3198	021 54750	
0134	Bracket, PIP	3139	124	33161	3829	Res, 15K, 5%, 1/10W, Metalized Glass	3198	021 51530	
0192	Cable, 4 Pin, 280mm.	3139	110	38681	3830	Res, 2K2, 5%, 1/10W, Metalized Glass	3198	021 52220	
0193	Cable, 7 Pin, 280mm.	3139	131	01731	3831	Res, 1M, 5%, 1/10W, Metalized Glass.	3198	021 51050	
0194	Cable, 5 Pin, 280mm.	3139	110	38811	3832	Res, 100 ohm, 5%, 1/6W, Carbon Film.	3198	011 01010	
0195	Cable, 5 Pin, 280mm.	3139	131	01741	3833	Res, 100 ohm, 5%, 1/10W, Metalized Gl			
0197	Cable, 4 Pin, 280mm.	3139	110	38681		ass.	3198	021 51010	
0198	Cable, 4 Pin, 280mm.	3139	110	38681	3834	Res, 100 ohm, 5%, 1/10W, Metalized Gl			
0216	Connector, 3 Pin	2412	020	00725		ass.	3198	021 51010	
0226	Connector, 4 Pin	2422	025	12479	3836	Res, 1K, 5%, 1/10W, Metalized Glass.	3198	021 51020	
0229	Connector, 2 Pin.	2422	025	16343	3838	Res, 220 ohm, 5%, 1/10W, Metalized Gl			
0235	Connector, 2 Pin	2412	020	00724		ass.	3198	021 52210	
0240	Connector, 4 Pin	2422	025	12479	3839	Res, 390 ohm, 5%, 1/10W, Metalized Gl			
0242	Connector, 5 Pin	2422	025	12481		ass.	3198	021 53910	
0243	Connector, 2 Pin	2412	020	00724	3840	Res, Zero ohm, "Chip" Jumper	3198	021 90020	
0266	Connector, 3 Pin	2412	020	00725	3843	Res, 220 ohm, 5%, 1/10W, Metalized Gl			
0284	Connector, 4 Pin	2422	025	12479		ass.	3198	021 52210	
1802	Resinator Crystal, 14M31818, 20P	2422	543	00904	3844	Res, 390 ohm, 5%, 1/10W, Metalized Gl			
2800	Cap, 470n, +80/-20%, 16v, Ceramic.	3198	017	24740		ass.	3198	021 53910	
2801	Cap, 100n, +80/-20%, 25v, Ceramic.	3198	023	21040	3845	Res, Zero ohm, "Chip" Jumper	3198	021 90020	
2802	Cap, 100n, +80/-20%, 25v, Ceramic.	3198	023	21040	3848	Res, 220 ohm, 5%, 1/10W, Metalized Gl			
2803	Cap, 47u, 20%, 25v, Electrolytic	3198	025	34790		ass.	3198	021 52210	
2804	Cap, 10u, 20%, 50v, Electrolytic	3198	025	51090	3849	Res, 390 ohm, 5%, 1/10W, Metalized Gl			
2805	Cap, 100n, +80/-20%, 25v, Ceramic.	3198	023	21040		ass.	3198	021 53910	
2806	Cap, 100u, 20%, 25v, Electrolytic.	3198	025	31010	3850	Res, Zero ohm, "Chip" Jumper	3198	021 90020	
2807	Cap, 47p, 5%, 50v, Ceramic	3198	016	04790	3852	Res, 12K, 5%, 1/10W, Metalized Glass	3198	021 51230	
2808	Cap, 10u, 20%, 50v, Electrolytic	3198	025	51090	3853	Res, 12K, 5%, 1/10W, Metalized Glass	3198	021 51230	
2809	Cap, 10n, 10%, 50v, Ceramic.	3198	017	01030	3854	Res, 15K, 5%, 1/10W, Metalized Glass	3198	021 51530	
2810	Cap, 10n, 10%, 50v, Ceramic.	3198	017	01030	3856	Res, 820 ohm, 5%, 1/10W, Metalized Gl			
2811	Cap, 10n, 10%, 50v, Ceramic.	3198	017	01030		ass.	3198	021 58210	
2812	Cap, 47u, 20%, 25v, Electrolytic	3198	025	34790	3857	Res, Zero ohm, "Chip" Jumper	3198	021 90020	
2813	Cap, 10u, 20%, 50v, Electrolytic	3198	025	51090	3858	Res, 1K2, 5%, 1/10W, Metalized Glass	3198	021 51220	
2814	Cap, 10n, 10%, 50v, Ceramic.	3198	017	01030	3859	Res, 47K, 5%, 1/10W, Metalized Glass	3198	021 54730	
2815	Cap, 10n, 10%, 50v, Ceramic.	3198	017	01030	3860	Res, 1K8, 5%, 1/10W, Metalized Glass	3198	021 51820	
2816	Cap, 10n, 10%, 50v, Ceramic.	3198	017	01030	3862	Res, 33 ohm, 5%, 1/10W, Metalized Gla			
2819	Cap, 12p, 5%, 50v, Ceramic	3198	016	01290		ss.	3198	021 53390	
2820	Cap, 220n, +80/-20%, 25v, Ceramic.	3198	023	22240	3865	Res, 150 ohm, 5%, 1/6W, Carbon Film.	3198	011 01510	
2821	Cap, 220n, +80/-20%, 25v, Ceramic.	3198	023	22240	3890	Res, 68 ohm, 5%, 1/6W, Carbon Film	3198	011 06890	
2822	Cap, 33n, 10%, 50v, Ceramic.	3198	017	03330	4800	Res, Zero ohm, "Chip" Jumper	3198	021 90020	
2823	Cap, 10n, 10%, 50v, Ceramic.	3198	017	01030	4870	Res, Zero ohm, "Chip" Jumper	3198	021 90020	
2824	Cap, 47u, 20%, 25v, Electrolytic	3198	025	34790	4871	Res, Zero ohm, "Chip" Jumper	3198	021 90020	
2825	Cap, 10n, 10%, 50v, Ceramic.	3198	017	01030	4872	Res, Zero ohm, "Chip" Jumper	3198	021 90020	
2826	Cap, 560p, 5%, 50v, Ceramic.	3198	016	05610	4909	Res, Zero ohm, "Chip" Jumper	3198	021 90020	
2827	Cap, 10n, 10%, 50v, Ceramic.	3198	017	01030	5890	Coil, 10u.	3198	018 21090	
2828	Cap, 100n, +80/-20%, 25v, Ceramic.	3198	023	21040	5891	Coil, 10u.	3198	018 21090	
2829	Cap, 47u, 20%, 25v, Electrolytic	3198	025	34790	5892	Coil, 10u.	3198	018 21090	
2830	Cap, 100n, +80/-20%, 25v, Ceramic.	3198	023	21040	6800	Diode, Signal, BAT85	9336	247 60133	
2831	Cap, 47u, 20%, 25v, Electrolytic	3198	025	34790	6801	Diode, Signal, BAT85	9336	247 60133	
2832	Cap, 100n, +80/-20%, 25v, Ceramic.	3198	023	21040	6802	Diode, Signal, BAT85	9336	247 60133	
2833	Cap, 47u, 20%, 25v, Electrolytic	3198	025	34790	6890	Zener Diode, 3.9 volt.	3198	020 53980	
2834	Cap, 100n, 10%, 16v, Ceramic	3198	017	01040	7801	IC, HEF4053BT.	9333	729 60653	
2837	Cap, 10n, 10%, 50v, Ceramic.	3198	017	01030	7802	IC, N74F06N.	9339	990 90602	
2858	Cap, 47u, 20%, 25v, Electrolytic	3198	025	34790	7803	IC, M65669SP	9322	146 60682	
2859	Cap, 470n, +80/-20%, 16v, Ceramic.	3198	017	24740	7804	Transistor, NPN, BC847B.	3198	010 42030	
2862	Cap, 390p, 5%, 50v, Ceramic.	3198	016	03910	7805	Transistor, NPN, BC847B.	3198	010 42030	
2890	Cap, 100u, 20%, 25v, Electrolytic.	3198	025	31010	7806	Transistor, NPN, BC847B.	3198	010 42030	
2891	Cap, 10n, 10%, 50v, Ceramic.	3198	017	01030	7807	Transistor, NPN, BC847B.	3198	010 42030	
2892	Cap, 47u, 20%, 25v, Electrolytic	3198	025	34790	7810	Transistor, NPN, BC847B.	3198	010 42030	
2893	Cap, 47u, 20%, 25v, Electrolytic	3198	025	34790	7813	Transistor, NPN, BC847B.	3198	010 42030	
2894	Cap, 10n, 10%, 50v, Ceramic.	3198	017	01030	7816	Transistor, NPN, BC847B.	3198	010 42030	
3801	Res, 100 ohm, 5%, 1/10W, Metalized Gl				7818	IC, HEF4053BT.	9333	729 60653	
	ass.	3198	021	51010	7820	Transistor, NPN, BC847B.	3198	010 42030	
3802	Res, 100 ohm, 5%, 1/10W, Metalized Gl				7890	IC, MC78M05CT.	9334	703 90687	
	ass.	3198	021	51010	7891	Transistor, NPN, BC337	9331	796 00126	
3803	Res, 1K, 5%, 1/6W, Carbon Film	3198	011	01020	9800	Wire Jumper, 0.58MM.	3198	036 90010	
3804	Res, 1K5, 5%, 1/6W, Carbon Film.	3198	011	01520	9810	Wire Jumper, 0.58MM.	3198	036 90010	

S = Safety Part Be sure to use exact replacement part.

32PS61S321 (continued)

9912	Wire Jumper, 0.58MM.	3198	036	90010
9913	Wire Jumper, 0.58MM.	3198	036	90010
9914	Wire Jumper, 0.58MM.	3198	036	90010
9915	Wire Jumper, 0.58MM.	3198	036	90010
9917	Wire Jumper, 0.58MM.	3198	036	90010
9919	Wire Jumper, 0.58MM.	3198	036	90010
9920	Wire Jumper, 0.58MM.	3198	036	90010
9921	Wire Jumper, 0.58MM.	3198	036	90010
9922	Wire Jumper, 0.58MM.	3198	036	90010
9924	Wire Jumper, 0.58MM.	3198	036	90010
9925	Wire Jumper, 0.58MM.	3198	036	90010
9927	Wire Jumper, 0.58MM.	3198	036	90010
9928	Wire Jumper, 0.58MM.	3198	036	90010
9929	Wire Jumper, 0.58MM.	3198	036	90010

S = Safety Part Be sure to use exact replacement part.

32PS61S331 - Manual no. 7629

Cabinet & Accessory Parts

Cabinet & Accessory Parts			
S AC01	Mainscord, 125V, 10A	3135	010 03831
AC03	Battery, Zinc, 1.5V (2-Pack)	9299	000 65263
AC04	Cabinet, Back.	3139	124 40523
AC07	Chassis Tray	3139	124 31324
AC09	Clip, Anode Lead	3135	014 04471
S AC10	CRT A80ECK272X56	9301	795 00428
AC11	Customer Control Buttons	3139	124 32711
AC12	Coil, Degaussing	2422	549 43977
AC13	Holder, Degaussing (4 Used).	3135	013 01661
AC16	Owner's Manual	3121	235 20111
AC20A	Cabinet, Front - Model 32PS61S331.	3139	138 12691
AC20D	Light Guide.	3139	124 32681
AC20E	Nameplate.	3139	120 01471
AC20J	Speaker, 16R, 5W (2 Used).	2422	264 00371
AC22	Spring	3139	121 26231
AC23	Braid Assembly	3135	010 07891
REMOTE	Remote Transmitter, RC19041001/01.	3139	228 86501

Main Chassis Assembly Parts

Main Chassis Assembly Parts			
1000	Tuner, V+U PLL	2422	542 90108
0022	Bracket, Lot	3139	124 44421
0122	Heatsink	3139	121 62214
0123	Heatsink, Audio.	3139	121 62501
0124	Heatsink, SOPS	3139	121 62201
0127	Socket, Fuse	2422	088 00271
0129	NTC, Holder.	3139	120 10151
0136	IC-Spring.	3104	301 22081
0137	Spring	3139	121 24581
0138	IC-Spring.	3104	301 22081
0139	Spring for Bracket	3122	121 24786
0140	Spring	3139	121 24581
0141	IC-Spring.	3104	301 22081
0152	Cable, DIPMATE, 6 Pin 560mm	3139	121 08951
S 0211	Connector, 2 Pin	2422	025 16269
S 0212	Connector, 2 Pin	2422	025 16375
S 0217	Connector, 5 Pin	2422	025 12481
S 0219	Connector, 6 Pin	2422	025 12482
S 0220	Connector, 5 Pin	2422	025 04853
S 0221	Connector, 4 Pin	2422	025 15503
S 0222	Connector, 2 Pin	2422	025 10646
0223	Socket, Cinch, 9 Pin	2422	026 05236
0225	Socket, MDIN, 10 Pin	2422	026 04926
0226	Connector, 4 Pin	2422	025 12479
0229	Connector, 7 Pin	2422	025 11244
0240	Connector, 4 Pin	2422	025 12479
0242	Connector, 5 Pin	2422	025 12481
S 0243	Connector, 6 Pin	2422	025 04854
0246	Connector, 5 Pin	2422	025 12481
0267	Connector, 3 Pin	2412	020 00725
0269	Socket, Cinch, 3 Pin	2422	026 05182
0284	Connector, 4 Pin	2422	025 12479
1002	SAW Filter, 45MHz75, OFWM1971M	2422	549 44518
1200	Filter, Ceramic, 4MHz5	2422	549 40807
S 1500	Fuse, 4A, 250V, IEC.	2422	086 10914
S 1515	Relay, 12V, 5A G5PA-1.	2422	132 07444
1600	Switch, Tactile.	2422	128 02742
1601	Switch, Tactile.	2422	128 02742
1602	Switch, Tactile.	2422	128 02742
1603	Switch, Tactile.	2422	128 02742
1606	Switch, Tactile.	2422	128 02742
1660	Crystal, 12MHz000.	2422	543 01203
1831	Crystal, Resonator, 18MHz432, 12 Pin, HC49/U A	2422	543 00842
2004	Cap, 47n, 10%, 16v, Ceramic.	3198	017 34730
2005	Cap, 10u, 20%, 50v, Electrolytic	3198	025 51090
2006	Cap, 470u, 20%, 16v, Electrolytic	3198	025 24710
2007	Cap, 100n, +80/-20%, 25v, Ceramic.	3198	023 41040
2008	Cap, 100u, 20%, 25v, Electrolytic.	3198	025 31010
2009	Cap, 22n, 10%, 25v, Ceramic.	3198	017 32230
2101	Cap, 470n, +80/-20%, 16v, Ceramic.	3198	017 24740
2102	Cap, 22p, 5%, 50v, Ceramic	3198	016 02290
2103	Cap, 330p, 10%, 50v, Ceramic	3198	017 33310
2104	Cap, 330p, 10%, 50v, Ceramic	3198	017 33310
2105	Cap, 10u, 20%, 50v, Electrolytic	3198	025 51090
2106	Cap, 10u, 20%, 50v, Electrolytic	3198	025 51090
2111	Cap, 22p, 5%, 50v, Ceramic	3198	016 02290
2112	Cap, 22p, 5%, 50v, Ceramic	3198	016 02290
2113	Cap, 22p, 5%, 50v, Ceramic	3198	016 02290
2121	Cap, 22p, 5%, 50v, Ceramic	3198	016 02290
2122	Cap, 330p, 10%, 50v, Ceramic	3198	017 33310
2123	Cap, 2u2, +80/-20%, 10v, Ceramic	3198	017 22250
2124	Cap, 330p, 10%, 50v, Ceramic	3198	017 33310
2125	Cap, 2u2, +80/-20%, 10v, Ceramic	3198	017 22250
2131	Cap, 330p, 10%, 50v, Ceramic	3198	017 33310
2132	Cap, 2u2, +80/-20%, 10v, Ceramic	3198	017 22250
2133	Cap, 330p, 10%, 50v, Ceramic	3198	017 33310
2134	Cap, 2u2, +80/-20%, 10v, Ceramic	3198	017 22250
2135	Cap, 22p, 5%, 50v, Ceramic	3198	016 02290
2136	Cap, 22p, 5%, 50v, Ceramic	3198	016 02290

S = Safety Part Be sure to use exact replacement part.

2141	Cap, 330p, 10%, 50v, Ceramic	3198	017 33310
2143	Cap, 100n, +80/-20%, 25v, Ceramic.	3198	023 41040
2150	Cap, 150n, 10%, 16v, Ceramic	2238	780 15652
2171	Cap, 2n2, 10%, 50v, Ceramic.	3198	019 12220
2181	Cap, 22p, 5%, 50v, Ceramic	3198	016 02290
2184	Cap, 2u2, +80/-20%, 10v, Ceramic	3198	017 22250
2201	Cap, 100n, +80/-20%, 25v, Ceramic.	3198	023 21040
2202	Cap, 100n, +80/-20%, 25v, Ceramic.	3198	023 21040
2203	Cap, 100n, +80/-20%, 25v, Ceramic.	3198	023 21040
2204	Cap, 100n, +80/-20%, 25v, Ceramic.	3198	023 21040
2205	Cap, 220n, +80/-20%, 25v, Ceramic.	3198	023 22240
2208	Cap, 100n, +80/-20%, 25v, Ceramic.	3198	023 21040
2209	Cap, 10u, 20%, 50v, Electrolytic	3198	025 51090
2210	Cap, 1u, +80/-20%, 16v, Ceramic.	3198	017 21050
2211	Cap, 470n, +80/-20%, 16v, Ceramic.	3198	017 24740
2213	Cap, 22n, 10%, 50v, Ceramic.	3198	017 02230
2214	Cap, 22n, 10%, 50v, Ceramic.	3198	017 02230
2215	Cap, 22n, 10%, 50v, Ceramic.	3198	017 02230
2216	Cap, 1000u, 20%, 16v, Electrolytic	3198	026 21020
2217	Cap, 22n, 10%, 25v, Ceramic.	3198	017 32230
2219	Cap, 220n, +80/-20%, 25v, Ceramic.	3198	023 22240
2220	Cap, 470n, 10%, 50v, Polyester	3198	014 04740
2221	Cap, 22n, 10%, 50v, Ceramic.	3198	017 02230
2241	Cap, 1n5, 10%, 50v, Ceramic.	3198	017 31520
2242	Cap, 1u, +80/-20%, 10v, Ceramic.	3198	017 41050
2243	Cap, 2n2, 10%, 50v, Ceramic.	3198	017 02220
2244	Cap, 100n, 5%, 63v, Metalized Polyest er.	2222	370 76104
2245	Cap, 470n, +80/-20%, 16v, Ceramic.	3198	017 24740
2247	Cap, 1000u, 20%, 16v, Electrolytic	3198	026 21020
2248	Cap, 22n, 10%, 50v, Ceramic.	3198	017 02230
2249	Cap, 22n, 10%, 25v, Ceramic.	3198	017 32230
2250	Cap, 2u2, 20%, 50v, Electrolytic	3198	025 52280
2252	Cap, 1n, 5%, 50v, Ceramic.	3198	016 01020
2253	Cap, 1n, 5%, 50v, Ceramic.	3198	016 01020
2254	Res, Zero ohm, "Chip" Jumper	3198	021 90020
2401	Cap, 2u2, 20%, 50v, Electrolytic	2020	021 90552
2402	Cap, 470p, 10%, 500v, Ceramic.	3198	019 44710
2404	Cap, 47u, 20%, 50v, Electrolytic	3198	025 54790
2405	Cap, 220u, 20%, 25v, Electrolytic.	3198	025 32210
2441	Cap, 1u, 20%, 50v, Electrolytic.	3198	025 51080
2443	Cap, 47n, +80/-20%, 50v, Ceramic	3198	017 24730
2444	Cap, 1u, 20%, 50v, Electrolytic.	3198	025 51080
2450	Cap, 47u, 20%, 160v, Electrolytic.	2020	021 91139
2451	Cap, 15n, 10%, 50v, Polyester.	3198	014 01530
2452	Cap, 180p, 5%, 50v, Ceramic.	3198	016 01810
2455	Cap, 47u, 20%, 25v, Electrolytic	3198	025 34790
2457	Cap, 430n, 5%, 250v, Metalized Polypr opylene.	2222	479 90022
2458	Cap, 2u2, 20%, 100v, Electrolytic.	2020	021 91331
2459	Cap, 680p, 10%, 500v, Ceramic.	3198	019 46810
2460	Cap, 100p, 5%, 50v, Ceramic.	3198	016 01010
2463	Cap, 680p, 10%, 2000v, Ceramic	2020	558 90485
2464	Cap, 2u2, 5%, 160v, Metalized Polypro pylene	2222	479 90042
2465	Cap, 13n, 5%, 1600v, Polypropylene	2222	375 90157
2466	Cap, 15n, 10%, 400v, Polyester	2222	347 90219
2468	Cap, 10n, 10%, 400v, Polyester	2222	347 90218
2471	Cap, 100n, 10%, 50v, Polyester	3198	014 01040
2472	Cap, 150n, 10%, 63v, Polyester	2222	365 75154
2473	Cap, 100n, 10%, 63v, Polyester	2222	365 75104
2474	Cap, 2n2, 10%, 50v, Ceramic.	3198	017 02220
2475	Cap, 2n2, 10%, 50v, Ceramic.	3198	017 02220
2476	Cap, 4n7, 10%, 50v, Ceramic.	3198	017 04720
2480	Cap, 47u, 20%, 25v, Electrolytic	2020	021 90586
2481	Cap, 470p, 10%, 500v, Ceramic.	3198	019 44710
2482	Cap, 68n, 10%, 250v, Polyester	2222	347 90234
2485	Cap, 4u7, 20%, 250v, Electrolytic.	2020	021 90856
2486	Cap, 470u, 20%, 16v, Electrolytic.	2020	021 91577
2487	Cap, 47u, 20%, 50v, Electrolytic	2020	021 90854
2488	Cap, 1000u, 20%, 16v, Electrolytic	2020	021 91049
2489	Cap, 470u, 20%, 16v, Electrolytic.	2020	021 91577
2491	Cap, 1n, 10%, 500v, Ceramic.	3198	019 41020
S 2500	Cap, 470n, 20%, 275v, Polypropylene.	2022	330 00018
2501	Cap, 2n2, 10%, 1000v, Ceramic.	3198	019 52220
2502	Cap, 2n2, 10%, 1000v, Ceramic.	3198	019 52220
2503	Cap, 470u, 20%, 200v, Electrolytic	2020	024 90626
2505	Cap, 2n2, 10%, 1000v, Ceramic.	3198	019 52220
2507	Cap, 470p, 10%, 50v, Ceramic	3198	017 04710
2508	Cap, 470p, 10%, 1000v, Ceramic	3198	019 64710
S 2515	Cap, 1n5, 20%, v, Ceramic.	2020	554 90128
2520	Cap, 100n, 10%, 16v, Ceramic	3198	017 01040
2521	Cap, 22u, 20%, 50v, Electrolytic	3198	025 52290
2522	Cap, 100n, 10%, 16v, Ceramic	3198	017 01040
2523	Cap, 1n5, 10%, 2000v, Ceramic.	2020	558 90489
2525	Cap, 470p, 10%, 50v, Ceramic	3198	017 04710
2527	Cap, 2n2, 10%, 50v, Ceramic.	3198	017 02220
2528	Cap, 1n, 10%, 50v, Ceramic	3198	017 01020
2540	Cap, 10n, 10%, 50v, Ceramic.	3198	017 01030
2541	Cap, 10n, 10%, 50v, Ceramic.	3198	017 01030
2560	Cap, 680p, 10%, 1000v, Ceramic	3198	019 66810
2561	Cap, 100u, 20%, 160v, Electrolytic	2020	021 91654

32PS61S331 (continued)

2562	Cap, 1n, 10%, 50v, Ceramic	3198 019 11020	3138	Wire Jumper, 0.58MM.	3198 036 90010
2563	Cap, 100n, 10%, 50v, Polyester	3198 014 01040	3141	Res, 1K, 5%, 1/6W, Carbon Film	3198 011 01020
2564	Cap, 2u2, 20%, 25v, Electrolytic	2020 021 91353	3149	Res, 100K, 5%, 1/16W, Metalized Glass	3198 021 31040
2567	Cap, 47u, 20%, 25v, Electrolytic	3198 025 34790	3150	Res, 150K, 5%, 1/16W, Metalized Glass	3198 021 31540
2568	Cap, 1u, 20%, 50v, Electrolytic	3198 025 51080	3154	Res, 5K6, 5%, 1/6W, Carbon Film.	3198 011 05620
2580	Cap, 47u, 20%, 16v, Electrolytic	3198 028 24790	3156	Res, 10K, 5%, 1/6W, Carbon Film.	3198 011 01030
2581	Cap, 22u, 20%, 50v, Electrolytic	3198 025 52290	3157	Res, 1K5, 5%, 1/16W, Metalized Glass	3198 021 31520
2601	Cap, 220n, +80/-20%, 25v, Ceramic.	3198 023 22240	3158	Res, 10K, 5%, 1/10W, Metalized Glass	3198 021 51030
2602	Cap, 100p, 5%, 50v, Ceramic.	3198 016 01010	3159	Res, 1K2, 1%, 1/8W, Metalized Glass.	2322 734 61202
2606	Cap, 1n, 10%, 50v, Ceramic	3198 017 01020	3170	Res, 68K, 5%, 1/6W, Carbon Film.	3198 011 06830
2607	Cap, 33p, 5%, 50v, Ceramic	3198 016 33390	3172	Res, 68K, 5%, 1/6W, Carbon Film.	3198 011 06830
2608	Cap, 1u, +80/-20%, 10v, Ceramic.	3198 017 41050	3173	Res, 3K9, 5%, 1/6W, Carbon Film.	3198 011 03920
2609	Cap, 33p, 5%, 50v, Ceramic	3198 016 33390	3174	Res, 8K2, 5%, 1/6W, Carbon Film.	3198 011 08220
2611	Cap, 1u, +80/-20%, 10v, Ceramic.	3198 017 41050	3175	Res, 8K2, 5%, 1/6W, Carbon Film.	3198 011 08220
2612	Cap, 68p, 5%, 50v, Ceramic	3198 016 06890	3176	Res, 100 ohm, 5%, 1/6W, Carbon Film.	3198 011 01010
2613	Cap, 68p, 5%, 50v, Ceramic	3198 016 06890	3177	Res, 8K2, 5%, 1/6W, Carbon Film.	3198 011 08220
2615	Cap, 1n, 10%, 50v, Ceramic	3198 017 01020	3178	Res, 3K9, 5%, 1/6W, Carbon Film.	3198 011 03920
2618	Cap, 1u, +80/-20%, 10v, Ceramic.	3198 017 41050	3179	Res, 2K2, 5%, 1/6W, Carbon Film.	3198 011 02220
2619	Cap, 1u, +80/-20%, 16v, Ceramic.	3198 017 21050	3200	Res, 390 ohm, 5%, 1/6W, Carbon Film.	3198 011 03910
2691	Cap, 220u, 20%, 25v, Electrolytic.	3198 025 32210	3201	Res, 100 ohm, 5%, 1/6W, Carbon Film.	3198 011 01010
2801	Cap, 22u, 20%, 50v, Electrolytic	3198 025 52290	3202	Res, 100 ohm, 5%, 1/6W, Carbon Film.	3198 011 01010
2802	Cap, 220n, +80/-20%, 16v, Ceramic.	3198 017 42240	3203	Res, 100 ohm, 5%, 1/6W, Carbon Film.	3198 011 01010
2804	Cap, 2u2, +80/-20%, 10v, Ceramic	3198 017 22250	3204	Res, 22K, 5%, 1/6W, Carbon Film.	3198 011 02230
2805	Res, Zero ohm, "Chip" Jumper	3198 021 90020	3206	Res, 270K, 5%, 1/8W, Metalized Glass	2322 730 61274
2806	Res, Zero ohm, "Chip" Jumper	3198 021 90020	3207	Res, 1K, 5%, 1/6W, Carbon Film	3198 011 01020
2831	Cap, 1p, 25%, 50v, Ceramic	3198 016 31080	3208	Res, 220 ohm, 5%, 1/16W, Metalized Gl	3198 021 32210
2832	Cap, 1p, 25%, 50v, Ceramic	3198 016 31080	3209	Res, 68 ohm, 5%, 1/16W, Metalized Gla	3198 021 36890
2833	Cap, 47p, 5%, 50v, Ceramic	3198 016 34790	3212	Res, 470 ohm, 5%, 1/16W, Metalized Gl	3198 021 34710
2834	Cap, 470p, 5%, 50v, Ceramic.	3198 016 34710	3213	Res, 560 ohm, 5%, 1/6W, Carbon Film.	3198 011 05610
2835	Cap, 220p, 5%, 50v, Ceramic.	3198 016 32210	3214	Res, 100 ohm, 5%, 1/10W, Metalized Gl	3198 021 51010
2836	Cap, 1n5, 10%, 50v, Ceramic.	3198 017 31520	3215	Res, 560 ohm, 5%, 1/16W, Metalized Gl	3198 021 35610
2837	Cap, 4u7, 20%, 50v, Electrolytic	3198 025 54780	3216	Res, 68 ohm, 5%, 1/6W, Carbon Film	3198 011 06890
2840	Cap, 100n, +80/-20%, 25v, Ceramic.	3198 023 41040	3217	Res, 330K, 5%, 1/16W, Metalized Glass	3198 021 33340
2841	Cap, 10u, 20%, 50v, Electrolytic	3198 025 51090	3218	Res, 82K, 5%, 1/10W, Metalized Glass	3198 021 58230
2842	Cap, 100n, +80/-20%, 25v, Ceramic.	3198 023 41040	3219	Res, 2K2, 5%, 1/16W, Metalized Glass	3198 021 32220
2843	Cap, 10u, 20%, 50v, Electrolytic	3198 025 51090	3220	Res, 100 ohm, 5%, 1/6W, Carbon Film.	3198 011 01010
2844	Cap, 10u, 20%, 50v, Electrolytic	3198 025 51090	3221	Res, 560 ohm, 5%, 1/6W, Carbon Film.	3198 011 05610
2845	Cap, 100n, +80/-20%, 25v, Ceramic.	3198 023 41040	3222	Res, 100 ohm, 5%, 1/6W, Carbon Film.	3198 011 01010
2846	Cap, 100u, 20%, 25v, Electrolytic.	3198 025 31010	3223	Res, 100 ohm, 5%, 1/10W, Metalized Gl	3198 021 51010
2849	Cap, 1n, 5%, 25v, Ceramic.	3198 016 31020	3226	Res, 560 ohm, 5%, 1/16W, Metalized Gl	3198 021 35610
2850	Cap, 1n, 5%, 25v, Ceramic.	3198 016 31020	3235	Res, 100 ohm, 5%, 1/6W, Carbon Film.	3198 011 01010
2851	Res, Zero ohm, "Chip" Jumper	3198 021 90020	3241	Res, 22K, 5%, 1/10W, Metalized Glass	3198 021 52230
2852	Cap, 1n, 5%, 25v, Ceramic.	3198 016 31020	3242	Res, 12K, 5%, 1/10W, Metalized Glass	3198 021 51230
2853	Res, Zero ohm, "Chip" Jumper	3198 021 90020	3244	Res, 820 ohm, 5%, 1/6W, Carbon Film.	3198 011 08210
2854	Cap, 1n, 5%, 25v, Ceramic.	3198 016 31020	3245	Res, 39K, 1%, 1/8W, Metalized Glass.	2322 734 63903
2855	Cap, 33p, 5%, 50v, Ceramic	3198 016 33390	3246	Res, 10K, 5%, 1/10W, Metalized Glass	3198 021 51030
2856	Cap, 47p, 5%, 50v, Ceramic	3198 016 34790	3247	Res, 470K, 5%, 1/10W, Metalized Glass	3198 021 54740
2857	Cap, 150p, 5%, 50v, Ceramic.	3198 016 31510	3248	Res, 33K, 5%, 1/10W, Metalized Glass	3198 021 53330
2860	Cap, 180p, 5%, 50v, Ceramic.	3198 016 01810	3249	Res, 820 ohm, 5%, 1/6W, Carbon Film.	3198 011 08210
2894	Cap, 220p, 5%, 50v, Ceramic.	3198 016 32210	3250	Res, 8K2, 5%, 1/6W, Carbon Film.	3198 011 08220
2895	Cap, 560p, 5%, 25v, Ceramic.	3198 016 35610	3251	Res, 100 ohm, 5%, 1/6W, Carbon Film.	3198 011 01010
2897	Cap, 390p, 5%, 50v, Ceramic.	3198 016 03910	3256	Res, 1K, 5%, 1/10W, Metalized Glass.	3198 021 51020
2898	Cap, 10n, 10%, 50v, Ceramic.	3198 017 31030	3257	Res, 10M, 5%, 1/10W, Metalized Glass	3198 021 51060
2902	Cap, 1000u, 20%, 16v, Electrolytic	3198 026 21020	3258	Res, 100K, 5%, 1/10W, Metalized Glass	3198 021 51040
2903	Cap, 1u, 20%, 50v, Electrolytic.	3198 025 51080	3259	Res, 470K, 5%, 1/10W, Metalized Glass	3198 021 54740
2904	Cap, 470n, +80/-20%, 16v, Ceramic.	3198 017 24740	3400	Res, 330 ohm, 5%, 1/6W, Carbon Film.	3198 011 03310
2905	Cap, 1n, 10%, 50v, Ceramic	3198 017 01020	3401	Res, 33K, 5%, 1/6W, Carbon Film.	3198 011 03330
2906	Cap, 470n, +80/-20%, 16v, Ceramic.	3198 017 24740	3403	Res, 100K, 5%, 1/6W, Carbon Film	3198 011 01040
2907	Cap, 1n, 10%, 50v, Ceramic	3198 017 01020	3404	Res, 1K, 5%, 1/6W, Carbon Film	3198 011 01020
2908	Cap, 10u, 20%, 50v, Electrolytic	3198 025 51090	3405	Res, 4R7, 5%, 1/6W, Carbon Film.	3198 011 04780
2910	Cap, 3n3, 10%, 50v, Ceramic.	3198 017 03320	3406	Res, 4R7, 5%, 1/6W, Carbon Film.	3198 011 04780
2911	Cap, 3n3, 10%, 50v, Ceramic.	3198 017 03320	3408	Res, 100 ohm, 5%, 1/6W, Carbon Film.	3198 011 01010
2950	Cap, 330p, 5%, 50v, Ceramic.	3198 016 33310	3410	Res, 10K, 5%, 1/6W, Carbon Film.	3198 011 01030
3000	Res, 100 ohm, 5%, 1/6W, Carbon Film.	3198 011 01010	3411	Res, 4R7, 5%, 1/3W, Metal Film	2306 204 03478
3001	Res, 100 ohm, 5%, 1/6W, Carbon Film.	3198 011 01010	3441	Res, 100 ohm, 5%, 1/10W, Metalized Gl	3198 021 51010
3002	Res, Zero ohm, "Chip" Jumper	3198 021 90020	3442	Res, Zero ohm, "Chip" Jumper	3198 021 90020
3003	Res, 1K5, 5%, 1/16W, Metalized Glass	3198 021 31520	3443	Res, 1M, 5%, 1/10W, Metalized Glass.	3198 021 51050
3004	Res, 8K2, 5%, 1/10W, Metalized Glass	3198 021 58220	3445	Res, 15K, 5%, 1/6W, Carbon Film.	3198 011 01530
3005	Res, 100 ohm, 5%, 1/6W, Carbon Film.	3198 011 01010	3446	Res, 5K6, 5%, 1/6W, Carbon Film.	3198 011 05620
3101	Res, 68 ohm, 5%, 1/6W, Carbon Film	3198 011 06890	3448	Res, 470 ohm, 5%, 1/6W, Carbon Film.	3198 011 04710
3102	Res, 1K, 5%, 1/10W, Metalized Glass.	3198 021 51020	3449	Res, 68 ohm, 5%, 1/6W, Carbon Film	3198 011 06890
3103	Res, 150 ohm, 5%, 1/6W, Carbon Film.	3198 011 01510	3450	Res, 33 ohm, 5%, 1/6W, Carbon Film	3198 011 03390
3104	Res, 220K, 5%, 1/10W, Metalized Glass	3198 021 52240	S 3451	Res, 10 ohm, 5%, 1/3W, Metal Film.	2306 204 03109
3105	Res, 150 ohm, 5%, 1/6W, Carbon Film.	3198 011 01510	3452	Res, 5K6, 1%, 3/5W, Metal Film	2312 915 15602
3106	Res, 220K, 5%, 1/10W, Metalized Glass	3198 021 52240	3453	Res, 1K, 5%, 1/6W, Carbon Film	3198 011 01020
3111	Res, 75 ohm, 5%, 1/6W, Carbon Film	3198 011 07590	3454	Res, 2K, 1%, 3/5W, Metal Film.	2312 915 12002
3112	Res, 100 ohm, 5%, 1/6W, Carbon Film.	3198 011 01010	3455	Res, 6R8, 5%, 1 1/3W, Metal Film	3198 012 26880
3113	Res, 75 ohm, 5%, 1/6W, Carbon Film	3198 011 07590	3458	Res, 1K, 5%, 1/6W, Carbon Film	3198 011 01020
3114	Res, 100 ohm, 5%, 1/6W, Carbon Film.	3198 011 01010	3459	Res, 15K, 5%, 1 1/3W, Metal Film	3198 012 21530
3115	Res, 75 ohm, 5%, 1/6W, Carbon Film	3198 011 07590	3460	Res, 3K9, 5%, 1/6W, Carbon Film.	3198 011 03920
3116	Res, 100 ohm, 5%, 1/6W, Carbon Film.	3198 011 01010	3463	Res, 33 ohm, 5%, 1/6W, Carbon Film.	3198 011 03390
3122	Wire Jumper, 0.58MM.	3198 036 90010	3465	Res, 27K, 1%, 3/5W, Metal Film	2312 915 12703
3123	Res, 150 ohm, 5%, 1/6W, Carbon Film.	3198 011 01510	3468	Res, 180 ohm, 5%, 1/6W, Carbon Film.	3198 011 01810
3124	Res, 47K, 5%, 1/16W, Metalized Glass	3198 021 34730	3469	Res, 3K3, 5%, 1/6W, Carbon Film.	3198 011 03320
3125	Res, 150 ohm, 5%, 1/6W, Carbon Film.	3198 011 01510			
3126	Res, 47K, 5%, 1/16W, Metalized Glass	3198 021 34730			
3131	Res, 150 ohm, 5%, 1/6W, Carbon Film.	3198 011 01510			
3132	Res, 47K, 5%, 1/16W, Metalized Glass	3198 021 34730			
3133	Res, 150 ohm, 5%, 1/6W, Carbon Film.	3198 011 01510			
3134	Res, 47K, 5%, 1/16W, Metalized Glass	3198 021 34730			
3135	Res, 75 ohm, 5%, 1/6W, Carbon Film	3198 011 07590			
3136	Res, 100 ohm, 5%, 1/6W, Carbon Film.	3198 011 01010			

S = Safety Part Be sure to use exact replacement part.

32PS61S331 (continued)

3470	Res, 150K, 5%, 1/10W, Metalized Glass	3198 021 51540	3638	Res, 75 ohm, 5%, 1/16W, Metalized Glass	3198 021 37590
3471	Res, 4R7, 1%, 3/5W, Metal Film . . .	2312 915 14708		ss.	3198 021 90020
3472	Res, 2R2, 1%, 3/5W, Metal Film . . .	2312 915 12208	3639	Res, Zero ohm, "Chip" Jumper	3198 021 33910
3473	Res, 3R3, 1%, 3/5W, Metal Film . . .	2312 915 13308	3681	Res, 390 ohm, 5%, 1/16W, Metalized Glass	3198 021 53320
3474	Res, 2K2, 1%, 3/5W, Metal Film . . .	2312 915 12202		ass.	3198 021 33910
3475	Res, 2K2, 1%, 3/5W, Metal Film . . .	2312 915 12202	3682	Res, 3K3, 5%, 1/10W, Metalized Glass	3198 021 53320
3477	Res, 150 ohm, 5%, 1/6W, Carbon Film.	3198 011 01510	3683	Res, 390 ohm, 5%, 1/16W, Metalized Glass	3198 021 33910
3478	Res, 150 ohm, 5%, 1/6W, Carbon Film.	3198 011 01510		ass.	3198 021 33910
3479	Res, 2K7, 5%, 1/10W, Metalized Glass	3198 021 52720	3684	Res, 560 ohm, 5%, 1/16W, Metalized Glass	3198 021 35610
3480	Res, 1R5, 5%, 1/4W, Carbon Film. . .	2120 101 74158		ass.	3198 021 35610
3481	Res, 15K, 1%, 3/5W, Metal Film . . .	2312 915 11503	3685	Res, 560 ohm, 5%, 1/16W, Metalized Glass	3198 021 31520
3482	Res, 6K8, 1%, 3/5W, Metal Film . . .	2312 915 16802	3686	Res, 1K5, 5%, 1/16W, Metalized Glass	3198 021 31520
3484	Res, 3K9, 5%, 1/6W, Carbon Film. . .	3198 011 03920	3691	Res, 330 ohm, 5%, 1/16W, Metalized Glass	3198 021 33310
3486	Res, 33 ohm, 5%, 2 1/2W, Metal Film.	3198 012 33390		ass.	3198 021 33310
3488	Res, 4R7, 5%, 1/2W, Metal Film . . .	2306 207 03478	3693	Res, 220 ohm, 5%, 1/16W, Metalized Glass	3198 021 32210
3490	Res, 8K2, 5%, 1/6W, Carbon Film. . .	3198 011 08220		ass.	3198 021 54720
3492	Res, 1K, 5%, 1/10W, Metalized Glass.	3198 021 51020	3694	Res, 4K7, 5%, 1/10W, Metalized Glass	3198 021 54720
3493	Res, 2R2, 5%, 1/3W, Metal Film . . .	2306 204 03228	3801	Res, 220 ohm, 5%, 1/6W, Carbon Film.	3198 011 02210
3494	Res, 4R7, 5%, 1/2W, Metal Film . . .	2306 207 03478	3802	Res, 1K, 5%, 1/6W, Carbon Film . . .	3198 011 01020
3495	Res, 22K, 5%, 1/10W, Metalized Glass	3198 021 52230	3809	Res, 75 ohm, 5%, 1/16W, Metalized Glass	3198 021 37590
3496	Res, 100K, 5%, 1/10W, Metalized Glass	3198 021 51040		ss.	3198 021 37590
3497	Res, 100K, 5%, 1/10W, Metalized Glass	3198 021 51040	3810	Res, 75 ohm, 5%, 1/16W, Metalized Glass	3198 021 37590
3498	Res, 12K, 5%, 1/10W, Metalized Glass	3198 021 51230		ss.	3198 021 37590
3499	Res, 10K, 5%, 1/10W, Metalized Glass	3198 021 51030	3831	Res, 47K, 5%, 1/16W, Metalized Glass	3198 021 34730
S 3500	Res, 3M3, 5%, 1/2W, Metalized Glass.	2322 242 13335	3832	Res, 100 ohm, 5%, 1/6W, Carbon Film.	3198 011 01010
S 3501	Res, 3M3, 5%, 1/2W, Metalized Glass.	2322 242 13335	3833	Res, 100 ohm, 5%, 1/6W, Carbon Film.	3198 011 01010
S 3504	PTC, DC, 120V, P3020 B.	2120 661 00025	3836	Res, 1K, 5%, 1/10W, Metalized Glass.	3198 021 51020
S 3506	Res, 1M5, 5%, 1/2W, Metalized Glass.	2322 242 13155	3837	Res, 100 ohm, 5%, 1/6W, Carbon Film.	3198 011 01010
S 3507	Surge Protector.	2422 549 43073	3838	Res, 1K, 5%, 1/10W, Metalized Glass.	3198 021 51020
S 3508	Res, 220 ohm, 20%, 1/2W, Carbon Film	3198 013 02210	3839	Res, 100 ohm, 5%, 1/6W, Carbon Film.	3198 011 01010
S 3510	NTC, DC, B57237, 3W1, 4R7, 20% . . .	2122 612 00056	3843	Res, 2K2, 5%, 1/16W, Metalized Glass	3198 021 32220
3519	Res, 270 ohm, 5%, 1/6W, Carbon Film.	3198 011 02710	3901	Res, 1K, 5%, 1/10W, Metalized Glass.	3198 021 51020
3520	Res, 1K2, 5%, 1/10W, Metalized Glass	3198 021 51220	3902	Res, 3K3, 5%, 1/10W, Metalized Glass	3198 021 53320
3521	Res, 4R7, 5%, 1/6W, Carbon Film. . .	3198 011 04780	3903	Res, 3K3, 5%, 1/10W, Metalized Glass	3198 021 53320
3522	Res, 330K, 5%, 1/10W, Metalized Glass	3198 021 53340	3904	Res, 10K, 5%, 1/10W, Metalized Glass	3198 021 51030
S 3523	Res, 100 ohm, 5%, 1/3W, Metal Film . .	2306 204 03101	3905	Res, 3K3, 5%, 1/10W, Metalized Glass	3198 021 53320
3524	Res, 56K, 5%, 1/10W, Metalized Glass	3198 021 55630	3906	Res, 10K, 5%, 1/10W, Metalized Glass	3198 021 51030
3525	Res, 1K, 5%, 1/10W, Metalized Glass.	3198 021 51020	3907	Res, 8K2, 5%, 1/10W, Metalized Glass	3198 021 58220
3526	Res, 0R1, 5%, 3/5W, Metal Film . . .	3198 012 11070	4001	Res, Zero ohm, "Chip" Jumper	3198 021 90020
3527	Res, 0R33, 5%, 3/5W, Metal Film. . .	3198 012 13370	4002	Res, Zero ohm, "Chip" Jumper	3198 021 90020
3528	Res, Zero ohm, "Chip" Jumper	3198 021 90020	4170	Res, Zero ohm, "Chip" Jumper	3198 021 90020
3529	Res, 47K, 5%, 1/10W, Metalized Glass	3198 021 54730	4181	Res, Zero ohm, "Chip" Jumper	3198 021 90020
3530	Res, 10K, 5%, 1/10W, Metalized Glass	3198 021 51030	4209	Res, Zero ohm, "Chip" Jumper	3198 021 90020
3531	Res, 4K7, 5%, 1/10W, Metalized Glass	3198 021 54720	4216	Res, Zero ohm, "Chip" Jumper	3198 021 90020
S 3532	Res, 2K2, 5%, 1/3W, Metal Film . . .	2306 204 03222	4217	Res, Zero ohm, "Chip" Jumper	3198 021 90020
3541	Res, 470 ohm, 5%, 1/10W, Metalized Glass	3198 021 54710	4401	Res, Zero ohm, "Chip" Jumper	3198 021 90020
	ass.	3198 021 54710	4402	Res, Zero ohm, "Chip" Jumper	3198 021 90020
3542	Res, 1K5, 5%, 1/10W, Metalized Glass	3198 021 51520	4430	Res, Zero ohm, "Chip" Jumper	3198 021 90020
3543	Res, 82K, 1%, 3/5W, Metal Film . . .	2312 915 18203	4500	Res, Zero ohm, "Chip" Jumper	3198 021 90020
3544	Res, 4K7, 1%, 1/8W, Metalized Glass.	2322 734 64720	4601	Res, Zero ohm, "Chip" Jumper	3198 021 90020
3545	Res, 270K, 5%, 1/8W, Metalized Glass	3198 021 61274	4613	Res, Zero ohm, "Chip" Jumper	3198 021 90020
3548	Res, 15K, 5%, 1/10W, Metalized Glass	3198 021 51530	4614	Res, Zero ohm, "Chip" Jumper	3198 021 90020
3552	Res, 4K7, 5%, 1/10W, Metalized Glass	3198 021 54720	4615	Res, Zero ohm, "Chip" Jumper	3198 021 90020
3557	Res, 1K, 5%, 1/10W, Metalized Glass.	3198 021 51020	4617	Res, Zero ohm, "Chip" Jumper	3198 021 90020
3561	Res, 100 ohm, 5%, 1/6W, Carbon Film.	3198 011 01010	4618	Res, Zero ohm, "Chip" Jumper	3198 021 90020
3562	Res, 12K, 5%, 1/10W, Metalized Glass	3198 021 51230	4619	Res, Zero ohm, "Chip" Jumper	3198 021 90020
3563	Res, 5K6, 5%, 1/10W, Metalized Glass	3198 021 55620	4622	Res, Zero ohm, "Chip" Jumper	3198 021 90020
3564	Res, 0R1, 5%, 1 1/3W, Metal Film . . .	3198 012 21070	4623	Res, Zero ohm, "Chip" Jumper	3198 021 90020
3565	Res, 330 ohm, 5%, 1W, Metal Film . . .	3198 012 13310	4691	Res, Zero ohm, "Chip" Jumper	3198 021 90020
3566	Res, 2K2, 5%, 1/10W, Metalized Glass	3198 021 52220	4692	Res, Zero ohm, "Chip" Jumper	3198 021 90020
3569	Res, 5K6, 5%, 1/10W, Metalized Glass	3198 021 55620	4693	Res, Zero ohm, "Chip" Jumper	3198 021 90020
3580	Res, 47K, 5%, 1/10W, Metalized Glass	3198 021 54730	4696	Res, Zero ohm, "Chip" Jumper	3198 021 90020
3594	Res, 330 ohm, 5%, 1/10W, Metalized Glass	3198 021 53310	4801	Res, Zero ohm, "Chip" Jumper	3198 021 90020
	ass.	3198 021 53310	4831	Res, Zero ohm, "Chip" Jumper	3198 021 90020
3595	Res, 220K, 5%, 1/10W, Metalized Glass	3198 021 52240	4833	Res, Zero ohm, "Chip" Jumper	3198 021 90020
3596	Res, 220K, 5%, 1/10W, Metalized Glass	3198 021 52240	4835	Res, Zero ohm, "Chip" Jumper	3198 021 90020
3601	Res, 8K2, 5%, 1/6W, Carbon Film. . .	3198 011 08220	4901	Res, Zero ohm, "Chip" Jumper	3198 021 90020
3603	Res, 100 ohm, 5%, 1/6W, Carbon Film.	3198 011 01010	4903	Res, Zero ohm, "Chip" Jumper	3198 021 90020
3604	Res, 100 ohm, 5%, 1/6W, Carbon Film.	3198 011 01010	4982	Res, Zero ohm, "Chip" Jumper	3198 021 90020
3605	Res, 4K7, 5%, 1/10W, Metalized Glass	3198 021 54720	5001	Coil, 27u.	3198 018 22790
3606	Res, 2K2, 5%, 1/6W, Carbon Film. . .	3198 011 02220	5002	Coil, 820n	3198 018 18270
3607	Res, 2K2, 5%, 1/6W, Carbon Film. . .	3198 011 02220	5001	Coil, 6u8.	3198 018 16880
3608	Res, 470 ohm, 5%, 1/6W, Carbon Film.	3198 011 04710	5202	Coil, 10u.	3198 018 21090
3609	Res, 1K, 5%, 1/6W, Carbon Film . . .	3198 011 01020	5204	Fixed, Inductor, 100MHZ, 80 ohm. . .	3198 018 90020
3610	Res, 8K2, 5%, 1/6W, Carbon Film. . .	3198 011 08220	5205	Fixed, Inductor, 100MHZ, 80 ohm. . .	3198 018 90020
3611	Res, 100 ohm, 5%, 1/16W, Metalized Glass	3198 021 31010	5206	Wire Jumper, 0.58MM.	3198 036 90010
	ass.	3198 021 31010	5241	Coil, 10u.	3198 018 21090
3618	Res, 6K8, 5%, 1/6W, Carbon Film. . .	3198 011 06820	5242	Coil, 10u.	3198 018 11090
3622	Res, 470 ohm, 5%, 1/10W, Metalized Glass	3198 021 54710	5401	Coil, 1m	3198 018 71020
	ass.	3198 021 54710	S 5445	Transformer, PSLOT	3128 138 21421
3623	Res, 4K7, 5%, 1/10W, Metalized Glass	3198 021 54720	5451	Coil, 33u.	3198 018 73390
3624	Res, 100 ohm, 5%, 1/6W, Carbon Film.	3198 011 01010	5452	Fixed, Inductor, 100MHZ, 80 ohm. . .	3198 018 90020
3625	Res, 100 ohm, 5%, 1/6W, Carbon Film.	3198 011 01010	5457	Coil, Linear	3128 138 53201
3626	Res, 4K7, 5%, 1/10W, Metalized Glass	3198 021 54720	5461	Transformer, Signal Driver	2422 531 02478
3627	Res, 4K7, 5%, 1/10W, Metalized Glass	3198 021 54720	5463	Coil, Choke.	3128 138 37021
3628	Res, 10K, 5%, 1/10W, Metalized Glass	3198 021 51030	5471	Coil, 3u3.	3198 018 73380
3630	Res, 2K2, 5%, 1/16W, Metalized Glass	3198 021 32220	5472	Coil, 3u3.	3198 018 23380
3632	Res, Zero ohm, "Chip" Jumper	3198 021 90020	5480	Coil, 47u.	2422 535 97337
3634	Res, 100 ohm, 5%, 1/6W, Carbon Film.	3198 011 01010	S 5501	Filter, Mains, 5mH, 2A	2422 549 43432
3635	Res, 100 ohm, 5%, 1/6W, Carbon Film.	3198 011 01010	S 5520	Transformer, Layer, SS39009-04 B . .	2422 531 02459
3636	Res, 100 ohm, 5%, 1/10W, Metalized Glass	3198 021 51010	5521	Fixed, Inductor, 100MHZ, 50R. . . .	3198 018 90010

S = Safety Part. Be sure to use exact replacement part.

32PS61S331 (continued)

5560	Fixed, Inductor, 100MHz, 50R.	3198 018 90010	7580	Transistor, PNP, BC857B.	3198 010 42150
5561	Coil, 27u.	3198 018 22790	7602	IC, M24C08-WBN6.	9322 154 38682
5562	Fixed, Inductor, 100MHz, 50R.	3198 018 90010	7606	Transistor, NPN, PDTCL143ZT	9340 547 00215
5564	Fixed, Inductor, 100MHz, 50R.	3198 018 90010	7801	IC, HEF4052BT.	9333 729 50653
5602	Coil, 5u6.	3198 018 15680	7802	IC, HEF4053BT.	9333 729 60653
5603	Coil, 5u6.	3198 018 15680	7831	IC, MSP3445G-PO-B8	9322 160 81682
5604	Coil, 5u6.	3198 018 15680	7901	IC, AN7522N	9322 181 41682
5831	Coil, 6u8.	3198 018 16880	9001	Wire Jumper, 0.58MM.	3198 036 90010
5832	Coil, 6u8.	3198 018 16880	9171	Wire Jumper, 0.58MM.	3198 036 90010
5833	Coil, 6u8.	3198 018 16880	9172	Wire Jumper, 0.58MM.	3198 036 90010
5835	Coil, 12u.	3198 018 31290	9173	Wire Jumper, 0.58MM.	3198 036 90010
6001	Zener Diode, 33 volt.	3198 010 23390	9175	Wire Jumper, 0.58MM.	3198 036 90010
6006	Diode, Signal, 1N4148.	3198 010 10010	9176	Wire Jumper, 0.58MM.	3198 036 90010
6007	Diode, Signal, 1N4148.	3198 010 10010	9178	Wire Jumper, 0.58MM.	3198 036 90010
6150	Diode, Signal, BAS316.	3198 010 10630	9179	Wire Jumper, 0.58MM.	3198 036 90010
6201	Diode, Signal, BAS316.	3198 010 10630	9181	Wire Jumper, 0.58MM.	3198 036 90010
6202	Diode, Signal, BAS316.	3198 010 10630	9182	Wire Jumper, 0.58MM.	3198 036 90010
6206	Zener Diode, 6.8 volt.	3198 020 56880	9183	Wire Jumper, 0.58MM.	3198 036 90010
6400	Res, 1K, 1%, 3/5W, Metal Film.	2312 915 11002	9192	Wire Jumper, 0.58MM.	3198 036 90010
6401	Zener Diode, 47 volt.	3198 010 24790	9193	Wire Jumper, 0.58MM.	3198 036 90010
6445	Zener Diode, 10 volt.	3198 020 51090	9406	Wire Jumper, 0.58MM.	3198 036 90010
6447	Diode, Signal, 1N4148.	3198 010 10010	9407	Wire Jumper, 0.58MM.	3198 036 90010
6448	Zener Diode, 6.2 volt.	9331 668 30133	9408	Wire Jumper, 0.58MM.	3198 036 90010
6449	Diode, Signal, BAV99.	3198 010 10620	9409	Wire Jumper, 0.58MM.	3198 036 90010
6460	Diode, Rect, DG3-7005L.	9336 436 10682	9410	Wire Jumper, 0.58MM.	3198 036 90010
6461	Diode, Rect, RGP30J-L7004.	9338 617 60682	9411	Wire Jumper, 0.58MM.	3198 036 90010
6462	Zener Diode, 9.1 volt.	9331 177 80133	9412	Wire Jumper, 0.58MM.	3198 036 90010
6465	Diode, Signal, BAV21.	3198 010 10070	9413	Wire Jumper, 0.58MM.	3198 036 90010
6466	Diode, Signal, BAV21.	3198 010 10070	9414	Wire Jumper, 0.58MM.	3198 036 90010
6467	Diode, Signal, BAS316.	3198 010 10630	9415	Wire Jumper, 0.58MM.	3198 036 90010
6468	Diode, Signal, BAS316.	3198 010 10630	9416	Wire Jumper, 0.58MM.	3198 036 90010
6469	Diode, Rect, BYD33J.	9337 234 20133	9417	Wire Jumper, 0.58MM.	3198 036 90010
6470	Diode, Signal, BAV99.	3198 010 10620	9418	Wire Jumper, 0.58MM.	3198 036 90010
6476	Zener Diode, 15 volt.	3198 010 21590	9419	Wire Jumper, 0.58MM.	3198 036 90010
6481	Zener Diode, 5.6 volt.	3198 010 25680	9421	Wire Jumper, 0.58MM.	3198 036 90010
6482	Zener Diode, 9.1 volt.	9331 177 80133	9422	Wire Jumper, 0.58MM.	3198 036 90010
6483	Zener Diode, 33 volt.	3198 010 23390	9423	Wire Jumper, 0.58MM.	3198 036 90010
6485	Diode, Rect, BYD33J.	9337 234 20133	9424	Wire Jumper, 0.58MM.	3198 036 90010
6486	Diode, Rect, EGP20DL-5100.	9322 164 42682	9425	Wire Jumper, 0.58MM.	3198 036 90010
6487	Diode, Rect, BYP33D.	9337 234 00133	9426	Wire Jumper, 0.58MM.	3198 036 90010
6488	Diode, Rect, EGP20DL-5100.	9322 164 42682	9427	Wire Jumper, 0.58MM.	3198 036 90010
6500	Diode, Bridge Rect, GBU4JL-7002.	9322 132 55667	9453	Wire Jumper, 0.58MM.	3198 036 90010
6520	Diode, Rect, BYP33D.	9337 234 00133	9460	Wire Jumper, 0.58MM.	3198 036 90010
6523	Diode, Signal, 1N4148.	3198 010 10010	9463	Wire Jumper, 0.58MM.	3198 036 90010
6524	Diode, Rect, 1N5062.	3198 010 10120	9500	Wire Jumper, 0.58MM.	3198 036 90010
6525	Diode, Rect, 1N5062.	3198 010 10120	9501	Wire Jumper, 0.58MM.	3198 036 90010
6526	Zener Diode, 22 volt.	3198 020 52290	9503	Wire Jumper, 0.58MM.	3198 036 90010
6540	Zener Diode, 6.2 volt.	9331 668 30133	9506	Wire Jumper, 0.58MM.	3198 036 90010
6541	Zener Diode, 10 volt.	3198 020 51090	9507	Wire Jumper, 0.58MM.	3198 036 90010
6560	Diode, Rect, BYV29X-500.	9340 555 59127	9510	Wire Jumper, 0.58MM.	3198 036 90010
6562	Diode, Rect, EGP20DL-5100.	9322 164 42682	9512	Wire Jumper, 0.58MM.	3198 036 90010
6563	Diode, Signal, BAS316.	3198 010 10630	9513	Wire Jumper, 0.58MM.	3198 036 90010
6565	Diode, Signal, BAV70.	9331 849 10215	9514	Wire Jumper, 0.58MM.	3198 036 90010
6566	Diode, Signal, 1N4148.	3198 010 10010	9515	Wire Jumper, 0.58MM.	3198 036 90010
6569	Diode, Signal, BAS316.	3198 010 10630	9516	Wire Jumper, 0.58MM.	3198 036 90010
6570	Zener Diode, 6.8 volt.	3198 020 56880	9518	Wire Jumper, 0.58MM.	3198 036 90010
6580	Diode, Signal, BAS316.	3198 010 10630	9520	Wire Jumper, 0.58MM.	3198 036 90010
6681	Diode, Signal, BAT85.	9336 247 60133	9521	Wire Jumper, 0.58MM.	3198 036 90010
6691	LED, LTL-10224WHCR.	9322 050 99682	9522	Wire Jumper, 0.58MM.	3198 036 90010
6692	IR Receiver, TSOP1836UH3V.	9322 127 54667	9524	Wire Jumper, 0.58MM.	3198 036 90010
6831	Diode, Signal, 1N4148.	3198 010 10010	9525	Wire Jumper, 0.58MM.	3198 036 90010
6901	Res, Zero ohm, "Chip" Jumper.	3198 021 90020	9528	Wire Jumper, 0.58MM.	3198 036 90010
7101	Transistor, NPN, BC847B.	3198 010 42030	9610	Wire Jumper, 0.58MM.	3198 036 90010
7102	Transistor, PNP, BC857B.	3198 010 42150	9611	Coil, 27u.	3198 018 22790
7103	Transistor, NPN, BC847B.	3198 010 42030	9612	Wire Jumper, 0.58MM.	3198 036 90010
7172	Transistor, PNP, BC857B.	3198 010 42150	9613	Wire Jumper, 0.58MM.	3198 036 90010
7173	Transistor, NPN, BC847B.	3198 010 42030	9614	Wire Jumper, 0.58MM.	3198 036 90010
7174	Transistor, NPN, BC857B.	3198 010 42150	9615	Wire Jumper, 0.58MM.	3198 036 90010
7200	IC, TDA9588H/N1/3/0833.	9352 716 35557	9616	Wire Jumper, 0.58MM.	3198 036 90010
7201	Transistor, NPN, BC847B.	3198 010 42030	9617	Wire Jumper, 0.58MM.	3198 036 90010
7204	Transistor, PNP, BC857B.	3198 010 42150	9618	Wire Jumper, 0.58MM.	3198 036 90010
7205	Transistor, PNP, BC857B.	3198 010 42150	9619	Wire Jumper, 0.58MM.	3198 036 90010
7208	Transistor, PNP, BC857B.	3198 010 42150	9620	Wire Jumper, 0.58MM.	3198 036 90010
7400	FET Power, STP3NC60FP.	9322 157 37687	9621	Wire Jumper, 0.58MM.	3198 036 90010
7441	Transistor, PNP, BC857B.	3198 010 42150	9622	Wire Jumper, 0.58MM.	3198 036 90010
7443	Transistor, PNP, BC557B.	3198 020 40110	9623	Wire Jumper, 0.58MM.	3198 036 90010
7460	Transistor, NPN, BU4508DX.	9340 550 92127	9624	Wire Jumper, 0.58MM.	3198 036 90010
7461	Transistor, NPN, BC337-25.	3198 020 43530	9625	Wire Jumper, 0.58MM.	3198 036 90010
7462	Transistor, NPN, PDTCL143ZT.	9340 547 00215	9626	Wire Jumper, 0.58MM.	3198 036 90010
7463	Transistor, PNP, BC327-25.	3198 020 43430	9627	Wire Jumper, 0.58MM.	3198 036 90010
7471	IC, TDA8359J/N2.	9352 701 64112	9628	Wire Jumper, 0.58MM.	3198 036 90010
7480	Transistor, NPN, BD135.	3198 020 41010	9629	Wire Jumper, 0.58MM.	3198 036 90010
7482	Transistor, NPN, BD135.	3198 020 41010	9630	Wire Jumper, 0.58MM.	3198 036 90010
S 7515	Optic, Coupler, TCET1104(G).	9322 175 72667	9631	Wire Jumper, 0.58MM.	3198 036 90010
7520	IC, TEA1507P/N1.	9352 673 56112	9632	Wire Jumper, 0.58MM.	3198 036 90010
7521	FET Power, STP8NC50FP.	9322 160 72687	9633	Wire Jumper, 0.58MM.	3198 036 90010
7522	Transistor, NPN, BC847B.	3198 010 42030	9634	Wire Jumper, 0.58MM.	3198 036 90010
7540	Transistor, NPN, BC547B.	3198 020 40030	9637	Wire Jumper, 0.58MM.	3198 036 90010
7541	Transistor, NPN, PDTCL14ET.	9340 310 10215	9638	Wire Jumper, 0.58MM.	3198 036 90010
7542	Transistor, NPN, BC857B.	3198 010 42150	9639	Wire Jumper, 0.58MM.	3198 036 90010
7560	IC, L78L33ACZ.	9322 134 92676	9640	Wire Jumper, 0.58MM.	3198 036 90010
7561	Transistor, NPN, PDTCL143ZT.	9340 547 00215	9641	Wire Jumper, 0.58MM.	3198 036 90010

S = Safety Part Be sure to use exact replacement part.

32PS61S331 (continued)

2807	Cap, 47p, 5%, 50v, Ceramic	3198 016 04790	3852	Res, 12K, 5%, 1/10W, Metalized Glass	3198 021 51230
2808	Cap, 10u, 20%, 50v, Electrolytic	3198 025 51090	3853	Res, 12K, 5%, 1/10W, Metalized Glass	3198 021 51230
2809	Cap, 10n, 10%, 50v, Ceramic	3198 017 01030	3854	Res, 15K, 5%, 1/10W, Metalized Glass	3198 021 51530
2810	Cap, 10n, 10%, 50v, Ceramic	3198 017 01030	3856	Res, 820 ohm, 5%, 1/10W, Metalized Gl ass.	3198 021 58210
2811	Cap, 10n, 10%, 50v, Ceramic	3198 017 01030	3857	Res, Zero ohm, "Chip" Jumper	3198 021 90020
2812	Cap, 47u, 20%, 25v, Electrolytic	3198 025 34790	3858	Res, 1K2, 5%, 1/10W, Metalized Glass	3198 021 51220
2813	Cap, 10u, 20%, 50v, Electrolytic	3198 025 51090	3859	Res, 47K, 5%, 1/10W, Metalized Glass	3198 021 54730
2814	Cap, 10n, 10%, 50v, Ceramic	3198 017 01030	3860	Res, 1K8, 5%, 1/10W, Metalized Glass	3198 021 51820
2815	Cap, 10n, 10%, 50v, Ceramic	3198 017 01030	3862	Res, 33 ohm, 5%, 1/10W, Metalized Gla ss.	3198 021 53390
2816	Cap, 10n, 10%, 50v, Ceramic	3198 017 01030	3865	Res, 150 ohm, 5%, 1/6W, Carbon Film.	3198 011 01510
2819	Cap, 12p, 5%, 50v, Ceramic	3198 016 01290	3890	Res, 68 ohm, 5%, 1/6W, Carbon Film	3198 011 06890
2820	Cap, 220n, +80/-20%, 25v, Ceramic	3198 023 22240	4800	Res, Zero ohm, "Chip" Jumper	3198 021 90020
2821	Cap, 220n, +80/-20%, 25v, Ceramic	3198 023 22240	4870	Res, Zero ohm, "Chip" Jumper	3198 021 90020
2822	Cap, 33n, 10%, 50v, Ceramic	3198 017 03330	4871	Res, Zero ohm, "Chip" Jumper	3198 021 90020
2823	Cap, 10n, 10%, 50v, Ceramic	3198 017 01030	4872	Res, Zero ohm, "Chip" Jumper	3198 021 90020
2824	Cap, 47u, 20%, 25v, Electrolytic	3198 025 34790	4909	Res, Zero ohm, "Chip" Jumper	3198 021 90020
2825	Cap, 10n, 10%, 50v, Ceramic	3198 017 01030	5890	Coil, 10u.	3198 018 21090
2826	Cap, 560p, 5%, 50v, Ceramic	3198 016 05610	5891	Coil, 10u.	3198 018 21090
2827	Cap, 10n, 10%, 50v, Ceramic	3198 017 01030	5892	Coil, 10u.	3198 018 21090
2828	Cap, 100n, +80/-20%, 25v, Ceramic	3198 023 21040	6800	Diode, Signal, BAT85	9336 247 60133
2829	Cap, 47u, 20%, 25v, Electrolytic	3198 025 34790	6801	Diode, Signal, BAT85	9336 247 60133
2830	Cap, 100n, +80/-20%, 25v, Ceramic	3198 023 21040	6802	Diode, Signal, BAT85	9336 247 60133
2831	Cap, 47u, 20%, 25v, Electrolytic	3198 025 34790	6890	Zener Diode, 3.9 volt.	3198 020 53980
2832	Cap, 100n, +80/-20%, 25v, Ceramic	3198 023 21040	7801	IC, HEF4053BT.	9333 729 60653
2833	Cap, 47u, 20%, 25v, Electrolytic	3198 025 34790	7802	IC, N74F06N.	9339 990 90602
2834	Cap, 100n, 10%, 16v, Ceramic	3198 017 01040	7803	IC, M65669SP	9322 146 60682
2837	Cap, 10n, 10%, 50v, Ceramic	3198 017 01030	7804	Transistor, NPN, BC847B.	3198 010 42030
2858	Cap, 47u, 20%, 25v, Electrolytic	3198 025 34790	7805	Transistor, NPN, BC847B.	3198 010 42030
2859	Cap, 470n, +80/-20%, 16v, Ceramic	3198 017 24740	7806	Transistor, NPN, BC847B.	3198 010 42030
2862	Cap, 390p, 5%, 50v, Ceramic	3198 016 03910	7807	Transistor, NPN, BC847B.	3198 010 42030
2890	Cap, 100u, 20%, 25v, Electrolytic	3198 025 31010	7810	Transistor, NPN, BC847B.	3198 010 42030
2891	Cap, 10n, 10%, 50v, Ceramic	3198 017 01030	7813	Transistor, NPN, BC847B.	3198 010 42030
2892	Cap, 47u, 20%, 25v, Electrolytic	3198 025 34790	7816	Transistor, NPN, BC847B.	3198 010 42030
2893	Cap, 47u, 20%, 25v, Electrolytic	3198 025 34790	7818	IC, HEF4053BT.	9333 729 60653
2894	Cap, 10n, 10%, 50v, Ceramic	3198 017 01030	7820	Transistor, NPN, BC847B.	3198 010 42030
3801	Res, 100 ohm, 5%, 1/10W, Metalized Gl ass.	3198 021 51010	7890	IC, MC78M05CT.	9334 703 90687
3802	Res, 100 ohm, 5%, 1/10W, Metalized Gl ass.	3198 021 51010	7891	Transistor, NPN, BC337	9331 796 00126
3803	Res, 1K, 5%, 1/6W, Carbon Film	3198 011 01020	9800	Wire Jumper, 0.58MM.	3198 036 90010
3804	Res, 1K5, 5%, 1/6W, Carbon Film.	3198 011 01520	9810	Wire Jumper, 0.58MM.	3198 036 90010
3805	Res, 100 ohm, 5%, 1/10W, Metalized Gl ass.	3198 021 51010	9912	Wire Jumper, 0.58MM.	3198 036 90010
3806	Res, 2K7, 5%, 1/10W, Metalized Glass	3198 021 52720	9913	Wire Jumper, 0.58MM.	3198 036 90010
3807	Res, 8K2, 5%, 1/10W, Metalized Glass	3198 021 58220	9914	Wire Jumper, 0.58MM.	3198 036 90010
3808	Res, 8K2, 5%, 1/10W, Metalized Glass	3198 021 58220	9915	Wire Jumper, 0.58MM.	3198 036 90010
3809	Res, 8K2, 5%, 1/10W, Metalized Glass	3198 021 58220	9917	Wire Jumper, 0.58MM.	3198 036 90010
3810	Res, 10K, 5%, 1/10W, Metalized Glass	3198 021 51030	9919	Wire Jumper, 0.58MM.	3198 036 90010
3812	Res, 10K, 5%, 1/10W, Metalized Glass	3198 021 51030	9920	Wire Jumper, 0.58MM.	3198 036 90010
3813	Res, 15K, 5%, 1/6W, Carbon Film.	3198 011 01530	9921	Wire Jumper, 0.58MM.	3198 036 90010
3814	Res, 1K, 5%, 1/10W, Metalized Glass.	3198 021 51020	9922	Wire Jumper, 0.58MM.	3198 036 90010
3815	Res, 1K, 5%, 1/10W, Metalized Glass.	3198 021 51020	9924	Wire Jumper, 0.58MM.	3198 036 90010
3816	Res, 820 ohm, 5%, 1/10W, Metalized Gl ass.	3198 021 58210	9925	Wire Jumper, 0.58MM.	3198 036 90010
3817	Res, 1K, 5%, 1/10W, Metalized Glass.	3198 021 51020	9927	Wire Jumper, 0.58MM.	3198 036 90010
3818	Res, 15K, 5%, 1/10W, Metalized Glass	3198 021 51530	9928	Wire Jumper, 0.58MM.	3198 036 90010
3819	Res, 10K, 5%, 1/10W, Metalized Glass	3198 021 51030	9929	Wire Jumper, 0.58MM.	3198 036 90010
3820	Res, 1K, 5%, 1/6W, Carbon Film	3198 011 01020			
3821	Res, 390 ohm, 5%, 1/10W, Metalized Gl ass.	3198 021 53910			
3822	Res, 390 ohm, 5%, 1/10W, Metalized Gl ass.	3198 021 53910			
3823	Res, 390 ohm, 5%, 1/10W, Metalized Gl ass.	3198 021 53910			
3824	Res, 15K, 5%, 1/10W, Metalized Glass	3198 021 51530			
3827	Res, 330 ohm, 5%, 1/10W, Metalized Gl ass.	3198 021 53310			
3828	Res, 4M7, 5%, 1/10W, Metalized Glass	3198 021 54750			
3829	Res, 15K, 5%, 1/10W, Metalized Glass	3198 021 51530			
3830	Res, 2K2, 5%, 1/10W, Metalized Glass	3198 021 52220			
3831	Res, 1M, 5%, 1/10W, Metalized Glass.	3198 021 51050			
3832	Res, 100 ohm, 5%, 1/6W, Carbon Film.	3198 011 01010			
3833	Res, 100 ohm, 5%, 1/10W, Metalized Gl ass.	3198 021 51010			
3834	Res, 100 ohm, 5%, 1/10W, Metalized Gl ass.	3198 021 51010			
3836	Res, 1K, 5%, 1/10W, Metalized Glass.	3198 021 51020			
3838	Res, 220 ohm, 5%, 1/10W, Metalized Gl ass.	3198 021 52210			
3839	Res, 390 ohm, 5%, 1/10W, Metalized Gl ass.	3198 021 53910			
3840	Res, Zero ohm, "Chip" Jumper	3198 021 90020			
3843	Res, 220 ohm, 5%, 1/10W, Metalized Gl ass.	3198 021 52210			
3844	Res, 390 ohm, 5%, 1/10W, Metalized Gl ass.	3198 021 53910			
3845	Res, Zero ohm, "Chip" Jumper	3198 021 90020			
3848	Res, 220 ohm, 5%, 1/10W, Metalized Gl ass.	3198 021 52210			
3849	Res, 390 ohm, 5%, 1/10W, Metalized Gl ass.	3198 021 53910			
3850	Res, Zero ohm, "Chip" Jumper	3198 021 90020			

S = Safety Part Be sure to use exact replacement part.

32PS61SK21 - Manual no. 7629

Cabinet & Accessory Parts

Cabinet & Accessory Parts

Main Chassis Assembly Parts

7200 IC, SM TDA9563H/N1/3/0485. 4835 310 57624

Cabinet & Accessory Parts

S AC01 Mainscord, 125V, 10A 3135 010 03831
 AC03 Battery, Zinc, 1.5V (2-Pack) 9299 000 65263
 AC04 Cabinet, Back. 3139 124 40522
 AC07 Chassis Tray 3139 124 31324
 AC09 Clip, Anode Lead 3135 014 04471
 S AC10 CRT A80QCF340X34(N). 9301 904 59463
 AC11 Customer Control Buttons 3139 124 32711
 AC12 Coil, Degaussing 2422 549 45334
 AC13 Holder, Degaussing (4 Used). 3135 013 01661
 AC16 Owner's Manual 3121 235 20111
 AC20 Cabinet, Front Assembly - Model 32PS61SK21. 3121 237 52461
 AC20A Cabinet, Front 3139 138 12691
 AC20D Light Guide. 3139 124 32681
 AC20E Nameplate. 3139 120 01471
 AC20J Speaker, 16R, 5W (2 Used). 2422 264 00371
 AC22 Spring 3139 121 62631
 REMOTE Remote Transmitter, RC19041001/01. 3139 228 86501

Main Chassis Assembly Parts

Main Chassis Assembly Parts

1000 Tuner, V+U PLL 2422 542 90098
 0118 U-Cooling Plate. 3139 121 26731
 0122 Heatsink, Vertical 3139 121 62213
 0123 Heatsink, Audio. 3139 121 62501
 0124 Heatsink, SOPS 3139 121 62201
 0127 Socket, Fuse 2422 088 00271
 0129 NTC, Holder. 3139 120 10151
 0136 IC-Spring. 3104 301 22081
 0137 Spring 3139 121 24581
 0138 IC-Spring. 3104 301 22081
 0139 Spring for Bracket 3122 121 24786
 0140 Spring 3139 121 24581
 0141 IC-Spring. 3104 301 22081
 0152 Cable, DIPMATE, 6 Pin 560mm 3139 121 08951
 0153 Cable, 5 Pin, 560mm. 3139 121 09041
 0211 Connector, 2 Pin 2422 025 16269
 S 0212 Connector, 2 Pin 2422 025 16375
 0217 Connector, 5 Pin 2422 025 12481
 0219 Connector, 6 Pin 2422 025 12482
 S 0220 Connector, 5 Pin 2422 025 04853
 S 0221 Connector, 4 Pin 2422 025 15503
 S 0222 Connector, 2 Pin 2422 025 10646
 0223 Socket, Cinch, 9 Pin 2422 026 05236
 0225 Socket, MDIN, 10 Pin 2422 026 04926
 0226 Connector, 4 Pin 2422 025 12479
 0229 Connector, 7 Pin 2422 025 11244
 0240 Connector, 4 Pin 2422 025 12479
 0242 Connector, 5 Pin 2422 025 12481
 S 0243 Connector, 6 Pin 2422 025 04854
 0246 Connector, 5 Pin 2422 025 12481
 0267 Connector, 3 Pin 2412 020 00725
 0269 Socket, Cinch, 3 Pin 2422 026 05182
 0284 Connector, 4 Pin 2422 025 12479
 1002 SAW Filter, 45MHz75, OFWM1971M 2422 549 44518
 1200 Filter, Ceramic, 4MHz5 2422 549 40807
 S 1500 Fuse, 4A, 250V, IEC. 2422 086 10869
 S 1515 Relay, 12V, 5A G5PA-1. 2422 132 07444
 1600 Switch, Tactile. 2422 128 02742
 1601 Switch, Tactile. 2422 128 02742
 1602 Switch, Tactile. 2422 128 02742
 1603 Switch, Tactile. 2422 128 02742
 1606 Switch, Tactile. 2422 128 02742
 1660 Crystal, 12MHz000. 2422 543 01203
 1831 Crystal, Resonator, 18MHz432, 12 Pin, HC49/U A 2422 543 00842
 2004 Cap, 47n, 10%, 25v, Ceramic. 3198 023 04730
 2005 Cap, 10u, 20%, 50v, Electrolytic 3198 025 51090
 2006 Cap, 470u, 20%, 16v, Electrolytic. 3198 025 24710
 2007 Cap, 100n, +80/-20%, 25v, Ceramic. 3198 023 21040
 2008 Cap, 100u, 20%, 25v, Electrolytic. 3198 025 31010
 2009 Cap, 22n, 10%, 50v, Ceramic. 3198 017 02230
 2101 Cap, 470n, +80/-20%, 16v, Ceramic. 3198 017 24740
 2102 Cap, 22p, 5%, 50v, Ceramic. 3198 016 02290
 2103 Cap, 330p, 5%, 50v, Ceramic. 3198 016 03310
 2104 Cap, 330p, 5%, 50v, Ceramic. 3198 016 03310
 2105 Cap, 10u, 20%, 50v, Electrolytic 3198 025 51090
 2106 Cap, 10u, 20%, 50v, Electrolytic 3198 025 51090
 2111 Cap, 22p, 5%, 50v, Ceramic. 3198 016 02290
 2112 Cap, 22p, 5%, 50v, Ceramic. 3198 016 02290
 2113 Cap, 22p, 5%, 50v, Ceramic. 3198 016 02290
 2121 Cap, 22p, 5%, 50v, Ceramic. 3198 016 02290
 2122 Cap, 330p, 5%, 50v, Ceramic. 3198 016 03310
 2123 Cap, 2u2, +80/-20%, 10v, Ceramic 3198 017 22250
 2124 Cap, 330p, 5%, 50v, Ceramic. 3198 016 03310

2125 Cap, 2u2, +80/-20%, 10v, Ceramic 3198 017 22250
 2131 Cap, 330p, 5%, 50v, Ceramic. 3198 016 03310
 2132 Cap, 2u2, +80/-20%, 10v, Ceramic 3198 017 22250
 2133 Cap, 330p, 5%, 50v, Ceramic. 3198 016 03310
 2134 Cap, 2u2, +80/-20%, 10v, Ceramic 3198 017 22250
 2135 Cap, 22p, 5%, 50v, Ceramic. 3198 016 02290
 2136 Cap, 22p, 5%, 50v, Ceramic. 3198 016 02290
 2141 Cap, 330p, 5%, 50v, Ceramic. 3198 016 03310
 2143 Cap, 100n, +80/-20%, 25v, Ceramic. 3198 023 21040
 2150 Cap, 150n, 10%, 16v, Ceramic 2238 780 15652
 2171 Cap, 2n2, 10%, 50v, Ceramic. 3198 019 12220
 2181 Cap, 22p, 5%, 50v, Ceramic. 3198 016 02290
 2184 Cap, 2u2, +80/-20%, 10v, Ceramic 3198 017 22250
 2201 Cap, 100n, +80/-20%, 25v, Ceramic. 3198 023 21040
 2202 Cap, 100n, +80/-20%, 25v, Ceramic. 3198 023 21040
 2203 Cap, 100n, +80/-20%, 25v, Ceramic. 3198 023 21040
 2204 Cap, 100n, +80/-20%, 25v, Ceramic. 3198 023 21040
 2205 Cap, 220n, +80/-20%, 25v, Ceramic. 3198 023 22240
 2208 Cap, 100n, +80/-20%, 25v, Ceramic. 3198 023 21040
 2209 Cap, 10u, 20%, 50v, Electrolytic 3198 025 51090
 2210 Cap, 1u, 20%, 50v, Electrolytic. 3198 025 51080
 2211 Cap, 470n, +80/-20%, 16v, Ceramic. 3198 017 24740
 2213 Cap, 22n, 10%, 50v, Ceramic. 3198 017 02230
 2214 Cap, 22n, 10%, 50v, Ceramic. 3198 017 02230
 2215 Cap, 22n, 10%, 50v, Ceramic. 3198 017 02230
 2216 Cap, 1000u, 20%, 16v, Electrolytic 3198 026 21020
 2217 Cap, 22n, 10%, 50v, Ceramic. 3198 017 02230
 2219 Cap, 220n, +80/-20%, 25v, Ceramic. 3198 023 22240
 2220 Cap, 470n, 10%, 50v, Polyester 3198 014 04740
 2221 Cap, 22n, 10%, 50v, Ceramic. 3198 017 02230
 2241 Cap, 1n5, 10%, 50v, Ceramic. 3198 017 01520
 2242 Cap, 1u, +80/-20%, 16v, Ceramic. 3198 017 21050
 2243 Cap, 2n2, 10%, 50v, Ceramic. 3198 017 02220
 2244 Cap, 100n, 10%, 63v, Metalized Polyester. 2222 370 75104
 2245 Cap, 470n, +80/-20%, 16v, Ceramic. 3198 017 24740
 2247 Cap, 1000u, 20%, 16v, Electrolytic 3198 026 21020
 2248 Cap, 22n, 10%, 50v, Ceramic. 3198 017 02230
 2249 Cap, 22n, 10%, 50v, Ceramic. 3198 017 02230
 2250 Cap, 2u2, 20%, 50v, Electrolytic 3198 025 52280
 2252 Cap, 1n, 5%, 50v, Ceramic. 3198 016 01020
 2253 Cap, 1n, 5%, 50v, Ceramic. 3198 016 01020
 2254 Res, Zero ohm, "Chip" Jumper 3198 021 90200
 2401 Cap, 2u2, 20%, 50v, Electrolytic 2020 021 90552
 2402 Cap, 470p, 10%, 500v, Ceramic. 3198 019 44710
 2404 Cap, 47u, 20%, 50v, Electrolytic 3198 025 54790
 2405 Cap, 1n, 5%, 50v, Ceramic. 3198 016 01020
 2441 Cap, 1u, 20%, 50v, Electrolytic. 3198 025 51080
 2443 Cap, 47n, +80/-20%, 50v, Ceramic 3198 017 24730
 2444 Cap, 1u, 20%, 50v, Electrolytic. 3198 025 51080
 2450 Cap, 47u, 20%, 160v, Electrolytic. 2020 021 91139
 2451 Cap, 15n, 10%, 50v, Polyester. 3198 014 01530
 2452 Cap, 180p, 5%, 50v, Ceramic. 3198 016 01810
 2455 Cap, 47u, 20%, 25v, Electrolytic 3198 025 34790
 2457 Cap, 430n, 5%, 250v, Metalized Polypropylene. 2222 479 90022
 2458 Cap, 2u2, 20%, 100v, Electrolytic. 2020 021 91331
 2459 Cap, 680p, 10%, 500v, Ceramic. 3198 019 46810
 2460 Cap, 100p, 5%, 50v, Ceramic. 3198 016 01010
 2463 Cap, 1n2, 10%, 2000v, Ceramic. 2020 558 90488
 2464 Cap, 2u2, 5%, 160v, Metalized Polypropylene. 2222 479 90042
 2465 Cap, 13n, 5%, 1600v, Polypropylene 2222 375 90157
 2466 Cap, 15n, 10%, 400v, Polyester 2222 347 90219
 2468 Cap, 10n, 10%, 400v, Polyester 2222 347 90218
 2471 Cap, 100n, 10%, 63v, Polyester 2222 365 75104
 2472 Cap, 150n, 10%, 63v, Polyester 2222 365 75154
 2473 Cap, 100n, 10%, 63v, Polyester 2222 365 75104
 2474 Cap, 2n2, 10%, 50v, Ceramic. 3198 017 02220
 2475 Cap, 2n2, 10%, 50v, Ceramic. 3198 017 02220
 2476 Cap, 4n7, 10%, 50v, Ceramic. 3198 017 04720
 2480 Cap, 47u, 20%, 25v, Electrolytic 2020 021 90586
 2481 Cap, 470p, 10%, 500v, Ceramic. 3198 019 44710
 2482 Cap, 68n, 10%, 250v, Polyester 2222 347 90234
 2485 Cap, 4u7, 20%, 250v, Electrolytic. 2020 021 90856
 2486 Cap, 470u, 20%, 16v, Electrolytic. 2020 021 91577
 2487 Cap, 47u, 20%, 50v, Electrolytic 2020 021 90854
 2488 Cap, 1000u, 20%, 16v, Electrolytic 2020 021 91049
 2489 Cap, 470u, 20%, 16v, Electrolytic. 2020 021 91577
 2491 Cap, 1n, 10%, 500v, Ceramic. 3198 019 41020
 2500 Cap, 470n, 20%, 275v, Polypropylene. 2222 336 29148
 2501 Cap, 2n2, 10%, 1000v, Ceramic. 3198 019 52220
 2502 Cap, 2n2, 10%, 1000v, Ceramic. 3198 019 52220
 2503 Cap, 470u, 20%, 200v, Electrolytic 2020 024 90626
 2505 Cap, 2n2, 10%, 1000v, Ceramic. 3198 019 52220
 2507 Cap, 470p, 10%, 50v, Ceramic. 3198 017 04710
 2508 Cap, 470p, 10%, 1000v, Ceramic. 3198 019 64710
 S 2515 Cap, 1n5, 20%, v, Ceramic. 2020 554 90128
 2520 Cap, 100n, 10%, 16v, Ceramic. 3198 017 01040
 2521 Cap, 22u, 20%, 50v, Electrolytic 3198 025 52290
 2522 Cap, 100n, 10%, 16v, Ceramic. 3198 017 01040
 2523 Cap, 1n5, 10%, 2000v, Ceramic. 2020 558 90489

S = Safety Part Be sure to use exact replacement part.

32PS61SK21 (continued)

2525	Cap, 470p, 10%, 50v, Ceramic	3198 017 04710	3125	Res, 150 ohm, 5%, 1/6W, Carbon Film.	3198 011 01510
2527	Cap, 2n2, 10%, 50v, Ceramic.	3198 017 02220	3126	Res, 47K, 5%, 1/10W, Metalized Glass	3198 021 54730
2528	Cap, 1n, 10%, 50v, Ceramic	3198 017 01020	3131	Res, 150 ohm, 5%, 1/6W, Carbon Film.	3198 011 01510
2540	Cap, 10n, 10%, 50v, Ceramic.	3198 017 01030	3132	Res, 47K, 5%, 1/10W, Metalized Glass	3198 021 54730
2541	Cap, 10n, 10%, 50v, Ceramic.	3198 017 01030	3133	Res, 150 ohm, 5%, 1/6W, Carbon Film.	3198 011 01510
2560	Cap, 680p, 10%, 1000v, Ceramic	2020 558 90472	3134	Res, 47K, 5%, 1/10W, Metalized Glass	3198 021 54730
2561	Cap, 100u, 20%, 160v, Electrolytic . . .	2020 021 91654	3135	Res, 75 ohm, 5%, 1/6W, Carbon Film .	3198 011 07590
2562	Cap, 1n, 10%, 50v, Ceramic	3198 019 11020	3136	Res, 100 ohm, 5%, 1/6W, Carbon Film.	3198 011 01010
2563	Cap, 100n, 10%, 63v, Polyester	2222 365 75104	3138	Wire Jumper, 0.58MM.	3198 036 90010
2564	Cap, 2u2, 20%, 25v, Electrolytic	2020 021 91353	3141	Res, 1K, 5%, 1/6W, Carbon Film	3198 011 01020
2566	Cap, 470u, 20%, 6.3v, Electrolytic . . .	3198 025 04710	3149	Res, 100K, 5%, 1/10W, Metalized Glass	3198 021 51040
2567	Cap, 47u, 20%, 25v, Electrolytic	3198 025 34790	3150	Res, 150K, 5%, 1/10W, Metalized Glass	3198 021 51540
2568	Cap, 1u, 20%, 50v, Electrolytic.	3198 025 51080	3154	Res, 5K6, 5%, 1/6W, Carbon Film. . . .	3198 011 05620
2580	Cap, 47u, 20%, 16v, Electrolytic	3198 028 24790	3156	Res, 10K, 5%, 1/6W, Carbon Film. . . .	3198 011 01030
2581	Cap, 22u, 20%, 50v, Electrolytic	3198 025 52290	3157	Res, 1K5, 5%, 1/10W, Metalized Glass	3198 021 51520
2601	Cap, 220n, +80/-20%, 25v, Ceramic. . . .	3198 023 22240	3158	Res, 10K, 5%, 1/10W, Metalized Glass	3198 021 51030
2602	Cap, 100p, 5%, 50v, Ceramic.	3198 016 01010	3159	Res, 1K2, 1%, 1/8W, Metalized Glass. . .	2322 734 61202
2606	Cap, 1n, 5%, 50v, Ceramic.	3198 016 01020	3170	Res, 68K, 5%, 1/6W, Carbon Film. . . .	3198 011 06830
2607	Cap, 33p, 5%, 50v, Ceramic	3198 016 03390	3171	Res, 10K, 5%, 1/6W, Carbon Film. . . .	3198 011 01030
2608	Cap, 1u, +80/-20%, 16v, Ceramic.	3198 017 21050	3172	Res, 68K, 5%, 1/6W, Carbon Film. . . .	3198 011 06830
2609	Cap, 33p, 5%, 50v, Ceramic	3198 016 03390	3173	Res, 5K6, 5%, 1/6W, Carbon Film. . . .	3198 011 05620
2611	Cap, 1u, +80/-20%, 16v, Ceramic.	3198 017 21050	3174	Res, 8K2, 5%, 1/6W, Carbon Film. . . .	3198 011 08220
2612	Cap, 68p, 5%, 50v, Ceramic	3198 016 06890	3175	Res, 8K2, 5%, 1/6W, Carbon Film. . . .	3198 011 08220
2613	Cap, 68p, 5%, 50v, Ceramic	3198 016 06890	3176	Res, 100 ohm, 5%, 1/6W, Carbon Film.	3198 011 01010
2615	Cap, 1n, 5%, 50v, Ceramic.	3198 016 01020	3177	Res, 8K2, 5%, 1/6W, Carbon Film. . . .	3198 011 08220
2618	Cap, 1u, +80/-20%, 16v, Ceramic.	3198 017 21050	3178	Res, 3K9, 5%, 1/6W, Carbon Film. . . .	3198 011 03920
2619	Cap, 1u, +80/-20%, 16v, Ceramic.	3198 017 21050	3179	Res, 2K2, 5%, 1/6W, Carbon Film. . . .	3198 011 02220
2691	Cap, 10u, 20%, 50v, Electrolytic	3198 025 51090	3200	Res, 390 ohm, 5%, 1/6W, Carbon Film.	3198 011 03910
2801	Cap, 22u, 20%, 50v, Electrolytic	3198 025 52290	3201	Res, 100 ohm, 5%, 1/6W, Carbon Film.	3198 011 01010
2802	Cap, 220n, +80/-20%, 25v, Ceramic. . . .	3198 023 22240	3202	Res, 100 ohm, 5%, 1/6W, Carbon Film.	3198 011 01010
2804	Cap, 2u2, +80/-20%, 10v, Ceramic	3198 017 22250	3203	Res, 100 ohm, 5%, 1/6W, Carbon Film.	3198 011 01010
2805	Res, Zero ohm, "Chip" Jumper	3198 021 90020	3204	Res, 10K, 5%, 1/6W, Carbon Film. . . .	3198 011 01030
2806	Res, Zero ohm, "Chip" Jumper	3198 021 90020	3206	Res, 270K, 5%, 1/8W, Metalized Glass	2322 730 61274
2831	Cap, 1p, 25%, 50v, Ceramic	3198 016 01080	3207	Res, 1K, 5%, 1/6W, Carbon Film	3198 011 01020
2832	Cap, 1p, 25%, 50v, Ceramic	3198 016 01080	3208	Res, 220 ohm, 5%, 1/10W, Metalized Gl	
2833	Cap, 47p, 5%, 50v, Ceramic	3198 016 04790		ass.	3198 021 52210
2834	Cap, 470p, 5%, 50v, Ceramic.	3198 016 04710	3209	Res, 68 ohm, 5%, 1/10W, Metalized Gla	
2835	Cap, 220p, 5%, 50v, Ceramic.	3198 016 02210		ss.	3198 021 56890
2836	Cap, 1n5, 10%, 50v, Ceramic.	3198 017 01520	3212	Res, 470 ohm, 5%, 1/10W, Metalized Gl	
2837	Cap, 4u7, 20%, 50v, Electrolytic	3198 025 54780		ass.	3198 021 54710
2840	Cap, 100n, +80/-20%, 25v, Ceramic. . . .	3198 023 21040	3213	Res, 560 ohm, 5%, 1/6W, Carbon Film.	3198 011 05610
2841	Cap, 10u, 20%, 50v, Electrolytic	3198 028 51090	3214	Res, 100 ohm, 5%, 1/10W, Metalized Gl	
2842	Cap, 100n, +80/-20%, 25v, Ceramic. . . .	3198 023 21040		ass.	3198 021 51010
2843	Cap, 10u, 20%, 50v, Electrolytic	3198 028 51090	3215	Res, 560 ohm, 5%, 1/10W, Metalized Gl	
2844	Cap, 10u, 20%, 50v, Electrolytic	3198 025 51090		ass.	3198 021 55610
2845	Cap, 100n, +80/-20%, 25v, Ceramic. . . .	3198 023 21040	3216	Res, 68 ohm, 5%, 1/6W, Carbon Film .	3198 011 06890
2846	Cap, 100u, 20%, 25v, Electrolytic. . . .	3198 025 31010	3217	Res, 330K, 5%, 1/10W, Metalized Glass	3198 021 53340
2849	Cap, 1n, 5%, 50v, Ceramic.	3198 016 01020	3218	Res, 82K, 5%, 1/10W, Metalized Glass	3198 021 52300
2850	Cap, 1n, 5%, 50v, Ceramic.	3198 016 01020	3219	Res, 2K2, 5%, 1/10W, Metalized Glass	3198 021 52220
2851	Cap, 4u7, +80/-20%, 10v, Ceramic	2020 552 96305	3220	Res, 100 ohm, 5%, 1/6W, Carbon Film.	3198 011 01010
2852	Cap, 1n, 5%, 50v, Ceramic.	3198 016 01020	3221	Res, 560 ohm, 5%, 1/6W, Carbon Film.	3198 011 05610
2853	Cap, 4u7, +80/-20%, 10v, Ceramic	2020 552 96305	3222	Res, 100 ohm, 5%, 1/6W, Carbon Film.	3198 011 01010
2854	Cap, 1n, 5%, 50v, Ceramic.	3198 016 01020	3223	Res, 100 ohm, 5%, 1/10W, Metalized Gl	
2855	Cap, 33p, 5%, 50v, Ceramic	3198 016 03390		ass.	3198 021 51010
2856	Cap, 47p, 5%, 50v, Ceramic.	3198 016 04790	3226	Res, 560 ohm, 5%, 1/10W, Metalized Gl	
2857	Cap, 150p, 5%, 50v, Ceramic.	3198 016 01510		ass.	3198 021 55610
2860	Cap, 180p, 5%, 50v, Ceramic.	3198 016 01810	3235	Res, 100 ohm, 5%, 1/6W, Carbon Film.	3198 011 01010
2894	Cap, 220p, 5%, 50v, Ceramic.	3198 016 02210	3241	Res, 22K, 5%, 1/10W, Metalized Glass	3198 021 52230
2895	Cap, 560p, 5%, 50v, Ceramic.	3198 016 05610	3242	Res, 12K, 5%, 1/10W, Metalized Glass	3198 021 51230
2897	Cap, 390p, 5%, 50v, Ceramic.	3198 016 03910	3244	Res, 820 ohm, 5%, 1/6W, Carbon Film.	3198 011 08210
2898	Cap, 10n, 10%, 50v, Ceramic.	3198 017 01030	3245	Res, 39K, 5%, 1/10W, Metalized Glass	3198 021 53930
2902	Cap, 1000u, 20%, 16v, Electrolytic	3198 026 21020	3246	Res, 10K, 5%, 1/10W, Metalized Glass	3198 021 51030
2903	Cap, 1u, 20%, 50v, Electrolytic.	3198 025 51080	3247	Res, 470K, 5%, 1/10W, Metalized Glass	3198 021 54740
2904	Cap, 470n, +80/-20%, 16v, Ceramic. . . .	3198 017 24740	3248	Res, 33K, 5%, 1/10W, Metalized Glass	3198 021 53330
2905	Cap, 1n, 10%, 50v, Ceramic.	3198 017 01020	3249	Res, 820 ohm, 5%, 1/6W, Carbon Film.	3198 011 08210
2906	Cap, 470n, +80/-20%, 16v, Ceramic. . . .	3198 017 24740	3250	Res, 8K2, 5%, 1/6W, Carbon Film. . . .	3198 011 08220
2907	Cap, 1n, 10%, 50v, Ceramic	3198 017 01020	3251	Res, 100 ohm, 5%, 1/6W, Carbon Film.	3198 011 01010
2908	Cap, 10u, 20%, 50v, Electrolytic	3198 025 51090	3256	Res, 1K, 5%, 1/10W, Metalized Glass.	3198 021 51020
2910	Cap, 3n3, 10%, 50v, Ceramic.	3198 017 03320	3257	Res, 10M, 5%, 1/10W, Metalized Glass	3198 021 51060
2911	Cap, 3n3, 10%, 50v, Ceramic.	3198 017 03320	3258	Res, 100K, 5%, 1/10W, Metalized Glass	3198 021 51040
2950	Cap, 330p, 5%, 50v, Ceramic.	3198 016 03310	3259	Res, 470K, 5%, 1/10W, Metalized Glass	3198 021 54740
3000	Res, 100 ohm, 5%, 1/6W, Carbon Film.	3198 011 01010	3400	Res, 330 ohm, 5%, 1/6W, Carbon Film.	3198 011 03310
3001	Res, 100 ohm, 5%, 1/6W, Carbon Film.	3198 011 01010	3401	Res, 33K, 5%, 1/6W, Carbon Film. . . .	3198 011 03330
3002	Res, Zero ohm, "Chip" Jumper	3198 021 90020	3403	Res, 100K, 5%, 1/6W, Carbon Film	3198 011 01040
3003	Res, 1K5, 5%, 1/10W, Metalized Glass	3198 021 51520	3404	Res, 1K, 5%, 1/6W, Carbon Film	3198 011 01020
3004	Res, 8K2, 5%, 1/10W, Metalized Glass	3198 021 58220	3405	Res, 4R7, 5%, 1/6W, Carbon Film. . . .	3198 011 04780
3005	Res, 100 ohm, 5%, 1/6W, Carbon Film.	3198 011 01010	3406	Res, 4R7, 5%, 1/6W, Carbon Film. . . .	3198 011 04780
3101	Res, 68 ohm, 5%, 1/6W, Carbon Film .	3198 011 06890	3408	Res, 100 ohm, 5%, 1/6W, Carbon Film.	3198 011 01010
3102	Res, 1K, 5%, 1/10W, Metalized Glass.	3198 021 51020	3410	Res, 10K, 5%, 1/6W, Carbon Film. . . .	3198 011 01030
3103	Res, 150 ohm, 5%, 1/6W, Carbon Film.	3198 011 01510	3411	Res, 4R7, 5%, 1/3W, Metal Film.	2306 204 03478
3104	Res, 220K, 5%, 1/10W, Metalized Glass	3198 021 52240	3441	Res, 100 ohm, 5%, 1/10W, Metalized Gl	
3105	Res, 150 ohm, 5%, 1/6W, Carbon Film.	3198 011 01510		ass.	3198 021 51010
3106	Res, 220K, 5%, 1/10W, Metalized Glass	3198 021 52240	3442	Res, 6K8, 5%, 1/10W, Metalized Glass	3198 021 56820
3111	Res, 75 ohm, 5%, 1/6W, Carbon Film .	3198 011 07590	3443	Res, 1M, 5%, 1/10W, Metalized Glass.	3198 021 51050
3112	Res, 100 ohm, 5%, 1/6W, Carbon Film.	3198 011 01010	3445	Res, 15K, 5%, 1/6W, Carbon Film. . . .	3198 011 01530
3113	Res, 75 ohm, 5%, 1/6W, Carbon Film .	3198 011 07590	3446	Res, 5K6, 5%, 1/6W, Carbon Film. . . .	3198 011 05620
3114	Res, 100 ohm, 5%, 1/6W, Carbon Film.	3198 011 01010	3447	Res, 56 ohm, 5%, 1/4W, Carbon Film .	2120 101 74569
3115	Res, 75 ohm, 5%, 1/6W, Carbon Film .	3198 011 07590	3448	Res, 470 ohm, 5%, 1/6W, Carbon Film.	3198 011 04710
3116	Res, 100 ohm, 5%, 1/6W, Carbon Film.	3198 011 01010	3449	Res, 68 ohm, 5%, 1/6W, Carbon Film .	3198 011 06890
3122	Wire Jumper, 0.58MM.	3198 036 90010	3450	Res, 33 ohm, 5%, 1/6W, Carbon Film .	3198 011 03390
3123	Res, 150 ohm, 5%, 1/6W, Carbon Film.	3198 011 01510	S 3451	Res, 3R9, 5%, 1/3W, Metal Film	2306 204 03398
3124	Res, 47K, 5%, 1/10W, Metalized Glass	3198 021 54730	3452	Res, 5K1, 1%, 3/5W, Metal Film	2312 915 15102

S = Safety Part Be sure to use exact replacement part.

32PS61SK21 (continued)

3453	Res, 1K, 5%, 1/6W, Carbon Film . . .	3198 011 01020	3625	Res, 100 ohm, 5%, 1/6W, Carbon Film.	3198 011 01010
3454	Res, 2K, 1%, 3/5W, Metal Film. . . .	2312 915 12002	3626	Res, 4K7, 5%, 1/10W, Metalized Glass	3198 021 54720
3455	Res, 6R8, 5%, 1 1/3W, Metal Film . .	3198 012 26880	3627	Res, 4K7, 5%, 1/10W, Metalized Glass	3198 021 54720
3458	Res, 1K, 5%, 1/6W, Carbon Film . . .	3198 011 01020	3628	Res, 10K, 5%, 1/10W, Metalized Glass	3198 021 51030
3459	Res, 15K, 5%, 1 1/3W, Metal Film . . .	3198 012 21530	3630	Res, 2K2, 5%, 1/10W, Metalized Glass	3198 021 52220
3460	Res, 3K9, 5%, 1/6W, Carbon Film. . .	3198 011 03920	3632	Res, Zero ohm, "Chip" Jumper	3198 021 90020
3463	Res, 33 ohm, 5%, 1/6W, Carbon Film . .	3198 011 03390	3634	Res, 100 ohm, 5%, 1/6W, Carbon Film.	3198 011 01010
3465	Res, 27K, 1%, 3/5W, Metal Film . . .	2312 915 12703	3635	Res, 100 ohm, 5%, 1/6W, Carbon Film.	3198 011 01010
3468	Res, 180 ohm, 5%, 1/6W, Carbon Film.	3198 011 01810	3636	Res, 100 ohm, 5%, 1/10W, Metalized Gl	
3469	Res, 3K3, 5%, 1/6W, Carbon Film. . .	3198 011 03320	3638	ass.	3198 021 51010
3470	Res, 390K, 5%, 1/8W, Metalized Glass	2322 730 61394		Res, 75 ohm, 5%, 1/10W, Metalized Gla	
3471	Res, 3R9, 1%, 3/5W, Metal Film	2312 915 13908	3681	ss.	3198 021 57590
3472	Res, 3R9, 1%, 3/5W, Metal Film	2312 915 13908		Res, 390 ohm, 5%, 1/10W, Metalized Gl	
3473	Res, 5R6, 1%, 3/5W, Metal Film	2312 915 15608	3682	ass.	3198 021 53910
3474	Res, 2K2, 1%, 3/5W, Metal Film	2312 915 12202	3683	Res, 3K3, 5%, 1/10W, Metalized Glass	3198 021 53320
3475	Res, 2K2, 1%, 3/5W, Metal Film	2312 915 12202		Res, 390 ohm, 5%, 1/10W, Metalized Gl	
3477	Res, 150 ohm, 5%, 1/6W, Carbon Film.	3198 011 01510		ass.	3198 021 53910
3478	Res, 150 ohm, 5%, 1/6W, Carbon Film.	3198 011 01510	3684	Res, 560 ohm, 5%, 1/10W, Metalized Gl	
3479	Res, 2K7, 5%, 1/10W, Metalized Glass	3198 021 52720		ass.	3198 021 55610
3480	Res, 1R5, 5%, 1/4W, Carbon Film. . . .	2120 101 74158	3685	Res, 560 ohm, 5%, 1/10W, Metalized Gl	
3481	Res, 15K, 1%, 3/5W, Metal Film	2312 915 11503		ass.	3198 021 55610
3482	Res, 6K8, 1%, 3/5W, Metal Film	2312 915 16802	3686	Res, 1K5, 5%, 1/10W, Metalized Glass	3198 021 51520
3484	Res, 3K9, 5%, 1/6W, Carbon Film. . . .	3198 011 03920	3691	Res, 330 ohm, 5%, 1/10W, Metalized Gl	
3486	Res, 33 ohm, 5%, 2 1/2W, Metal Film.	3198 012 33390		ass.	3198 021 53310
3488	Res, 4R7, 5%, 1/2W, Metal Film	2306 207 03478	3693	Res, 220 ohm, 5%, 1/10W, Metalized Gl	
3490	Res, 8K2, 5%, 1/6W, Carbon Film. . . .	3198 011 08220		ass.	3198 021 52210
3491	Res, 10K, 5%, 1/6W, Carbon Film. . . .	3198 011 01030	3694	Res, 4K7, 5%, 1/10W, Metalized Glass	3198 021 54720
3492	Res, 1K, 5%, 1/6W, Carbon Film	3198 011 01020	3801	Res, 220 ohm, 5%, 1/6W, Carbon Film.	3198 011 02210
3493	Res, 2R2, 5%, 1/3W, Metal Film	2306 204 03228	3802	Res, 1K, 5%, 1/6W, Carbon Film	3198 011 01020
3494	Res, 4R7, 5%, 1/2W, Metal Film	2306 207 03478	3809	Res, 75 ohm, 5%, 1/10W, Metalized Gla	
3495	Res, 22K, 5%, 1/10W, Metalized Glass	3198 021 52230		ss.	3198 021 57590
3496	Res, 100K, 5%, 1/10W, Metalized Glass	3198 021 51040	3810	Res, 75 ohm, 5%, 1/10W, Metalized Gla	
3497	Res, 100K, 5%, 1/10W, Metalized Glass	3198 021 51040		ss.	3198 021 57590
3498	Res, 12K, 5%, 1/10W, Metalized Glass	3198 021 51230	3831	Res, 47K, 5%, 1/10W, Metalized Glass	3198 021 54730
S 3500	Res, 3M3, 5%, 1/2W, Metalized Glass.	2322 242 13335	3832	Res, 100 ohm, 5%, 1/6W, Carbon Film.	3198 011 01010
S 3501	Res, 3M3, 5%, 1/2W, Metalized Glass.	2322 242 13335	3833	Res, 100 ohm, 5%, 1/6W, Carbon Film.	3198 011 01010
S 3504	PTC, DC, 120V, P3020 B.	2120 661 00025	3836	Res, 1K, 5%, 1/10W, Metalized Glass.	3198 021 51020
S 3506	Res, 1M5, 5%, 1/2W, Metalized Glass.	2322 242 13155	3837	Res, 100 ohm, 5%, 1/6W, Carbon Film.	3198 011 01010
S 3507	Surge Protector.	2422 549 43073	3838	Res, 1K, 5%, 1/10W, Metalized Glass.	3198 021 51020
S 3508	Res, 220 ohm, 20%, 1/2W, Carbon Film	3198 013 02210	3839	Res, 100 ohm, 5%, 1/6W, Carbon Film.	3198 011 01010
S 3510	NTC, DC, B57237, 3W1, 4R7, 20% . . .	2122 612 00056	3843	Res, 2K2, 5%, 1/10W, Metalized Glass	3198 021 52220
3519	Res, 270 ohm, 5%, 1/6W, Carbon Film.	3198 011 02710	3901	Res, 1K, 5%, 1/10W, Metalized Glass.	3198 021 51020
3520	Res, 1K2, 5%, 1/10W, Metalized Glass	3198 021 51220	3902	Res, 3K3, 5%, 1/10W, Metalized Glass	3198 021 53320
3521	Res, 4R7, 5%, 1/6W, Carbon Film. . . .	3198 011 04780	3903	Res, 3K3, 5%, 1/10W, Metalized Glass	3198 021 53320
3522	Res, 330K, 5%, 1/10W, Metalized Glass	3198 021 53340	3904	Res, 10K, 5%, 1/10W, Metalized Glass	3198 021 51030
S 3523	Res, 100 ohm, 5%, 1/3W, Metal Film . .	2306 204 03101	3905	Res, 3K3, 5%, 1/10W, Metalized Glass	3198 021 53320
3524	Res, 56K, 5%, 1/10W, Metalized Glass	3198 021 55630	3906	Res, 10K, 5%, 1/10W, Metalized Glass	3198 021 51030
3525	Res, 1K, 5%, 1/10W, Metalized Glass.	3198 021 51020	3907	Res, 8K2, 5%, 1/10W, Metalized Glass	3198 021 58220
3526	Res, 0R1, 5%, 3/5W, Metal Film	3198 012 11070	4001	Res, Zero ohm, "Chip" Jumper	3198 021 90020
3527	Res, 0R33, 5%, 3/5W, Metal Film. . . .	3198 012 13370	4002	Res, Zero ohm, "Chip" Jumper	3198 021 90020
3528	Res, Zero ohm, "Chip" Jumper	3198 021 90020	4181	Res, Zero ohm, "Chip" Jumper	3198 021 90020
3529	Res, 47K, 5%, 1/10W, Metalized Glass	3198 021 54730	4209	Res, Zero ohm, "Chip" Jumper	3198 021 90020
3530	Res, 10K, 5%, 1/10W, Metalized Glass	3198 021 51030	4216	Res, Zero ohm, "Chip" Jumper	3198 021 90020
3531	Res, 4K7, 5%, 1/10W, Metalized Glass	3198 021 54720	4217	Res, Zero ohm, "Chip" Jumper	3198 021 90020
S 3532	Res, 2K2, 5%, 1/3W, Metal Film	2306 204 03222	4401	Res, Zero ohm, "Chip" Jumper	3198 021 90020
3541	Res, 470 ohm, 5%, 1/10W, Metalized Gl		4402	Res, Zero ohm, "Chip" Jumper	3198 021 90020
	ass.	3198 021 54710	4464	Res, Zero ohm, "Chip" Jumper	3198 021 90020
3542	Res, 1K5, 5%, 1/10W, Metalized Glass	3198 021 51520	4500	Res, Zero ohm, "Chip" Jumper	3198 021 90020
3543	Res, 82K, 1%, 3/5W, Metal Film	2312 915 18203	4601	Res, Zero ohm, "Chip" Jumper	3198 021 90020
3544	Res, 4K7, 1%, 1/8W, Metalized Glass. .	2322 734 64702	4613	Res, Zero ohm, "Chip" Jumper	3198 021 90020
3545	Res, 270K, 5%, 1/8W, Metalized Glass	2322 730 61274	4614	Res, Zero ohm, "Chip" Jumper	3198 021 90020
3548	Res, 15K, 5%, 1/10W, Metalized Glass	3198 021 51530	4615	Res, Zero ohm, "Chip" Jumper	3198 021 90020
3549	Res, 220 ohm, 5%, 1/6W, Carbon Film.	3198 011 02210	4617	Res, Zero ohm, "Chip" Jumper	3198 021 90020
3552	Res, 10K, 5%, 1/10W, Metalized Glass	3198 021 51030	4618	Res, Zero ohm, "Chip" Jumper	3198 021 90020
3557	Res, 1K, 5%, 1/10W, Metalized Glass.	3198 021 51020	4619	Res, Zero ohm, "Chip" Jumper	3198 021 90020
3560	Res, 47 ohm, 5%, 1/6W, Carbon Film . .	3198 011 04790	4622	Res, Zero ohm, "Chip" Jumper	3198 021 90020
3561	Res, 100 ohm, 5%, 1/6W, Carbon Film.	3198 011 01010	4623	Res, Zero ohm, "Chip" Jumper	3198 021 90020
3562	Res, 12K, 5%, 1/10W, Metalized Glass	3198 021 51230	4691	Res, Zero ohm, "Chip" Jumper	3198 021 90020
3563	Res, 5K6, 5%, 1/10W, Metalized Glass	3198 021 55620	4692	Res, Zero ohm, "Chip" Jumper	3198 021 90020
3564	Res, 0R1, 5%, 1 1/3W, Metal Film . . .	3198 012 21070	4693	Res, Zero ohm, "Chip" Jumper	3198 021 90020
3565	Res, 330 ohm, 5%, 1W, Metal Film . . .	3198 012 13310	4801	Res, Zero ohm, "Chip" Jumper	3198 021 90020
3566	Res, 2K2, 5%, 1/10W, Metalized Glass	3198 021 52220	4831	Res, Zero ohm, "Chip" Jumper	3198 021 90020
3567	Res, 1K8, 5%, 1/10W, Metalized Glass	3198 021 51820	4833	Res, Zero ohm, "Chip" Jumper	3198 021 90020
3568	Res, 8K2, 5%, 1/10W, Metalized Glass	3198 021 58220	4835	Res, Zero ohm, "Chip" Jumper	3198 021 90020
3569	Res, 5K6, 5%, 1/10W, Metalized Glass	3198 021 55620	4901	Res, Zero ohm, "Chip" Jumper	3198 021 90020
3580	Res, 47K, 5%, 1/10W, Metalized Glass	3198 021 54730	4903	Res, Zero ohm, "Chip" Jumper	3198 021 90020
3601	Res, 8K2, 5%, 1/6W, Carbon Film. . . .	3198 011 08220	4982	Res, Zero ohm, "Chip" Jumper	3198 021 90020
3603	Res, 100 ohm, 5%, 1/6W, Carbon Film.	3198 011 01010	5001	Coil, 27u.	3198 018 22790
3604	Res, 100 ohm, 5%, 1/6W, Carbon Film.	3198 011 01010	5002	Coil, 820n	3198 018 18270
3605	Res, 4K7, 5%, 1/10W, Metalized Glass	3198 021 54720	5201	Coil, 6u8.	3198 018 16880
3606	Res, 2K2, 5%, 1/6W, Carbon Film. . . .	3198 011 02220	5202	Coil, 10u.	3198 018 21090
3607	Res, 2K2, 5%, 1/6W, Carbon Film. . . .	3198 011 02220	5204	Fixed, Inductor, 100MHZ, 80 ohm. . .	3198 018 90020
3608	Res, 100 ohm, 5%, 1/6W, Carbon Film.	3198 011 01010	5205	Fixed, Inductor, 100MHZ, 80 ohm. . .	3198 018 90020
3609	Res, 1K, 5%, 1/6W, Carbon Film	3198 011 01020	5206	Wire Jumper, 0.58MM.	3198 036 90010
3610	Res, 8K2, 5%, 1/6W, Carbon Film. . . .	3198 011 08220	5241	Coil, 10u.	3198 018 21090
3611	Res, 100 ohm, 5%, 1/10W, Metalized Gl		5242	Coil, 10u.	3198 018 11090
	ass.	3198 021 51010	5401	Coil, 1m	3198 018 71020
3618	Res, 6K8, 5%, 1/6W, Carbon Film. . . .	3198 011 06820	S 5445	Transformer, PSLOT	3128 138 21421
3622	Res, 100 ohm, 5%, 1/10W, Metalized Gl		5451	Coil, 33u.	3198 018 73390
	ass.	3198 021 51010	5452	Fixed, Inductor, 100MHZ, 80 ohm. . .	3198 018 90020
3623	Res, 4K7, 5%, 1/10W, Metalized Glass	3198 021 54720	5457	Coil, Linear, DC12	3128 138 55881
3624	Res, 100 ohm, 5%, 1/6W, Carbon Film.	3198 011 01010	5461	Transformer, Signal Driver, SC10015-0	
				0 B.	2422 531 02465

32PS61SK21 (continued)

5463	Coil, Choke.	3128	138	37021	7521	FET Power, STP8NC50FP.	9322	160	72687
5471	Coil, 3u3.	3198	018	73380	7522	Transistor, NPN, BC847B.	3198	010	42030
5472	Coil, 3u3.	3198	018	23380	7540	Transistor, NPN, BC547B.	3198	020	40030
5480	Coil, 4u7.	2422	535	94213	7541	Transistor, NPN, PDTCL14ET.	9340	310	10215
S 5501	Filter, Mains, 5mH, 2A	2422	549	43432	7542	Transistor, PNP, BC857B.	3198	010	42150
S 5520	Transformer, Layer, SS39009-04 B	2422	531	02459	7560	IC, L78L33ACZ.	9322	134	92676
5521	Fixed, Inductor, 100MHz, 50R.	3198	018	90010	7561	Transistor, NPN, PDTCL143ZT.	9340	547	00215
5560	Fixed, Inductor, 100MHz, 50R.	3198	018	90010	7562	Transistor, PNP, BC857B.	3198	010	42150
5561	Coil, 27u.	3198	018	22790	7564	Transistor, PNP, BC857B.	3198	010	42150
5562	Fixed, Inductor, 100MHz, 50R.	3198	018	90010	7580	Transistor, PNP, BC857B.	3198	010	42150
5564	Fixed, Inductor, 100MHz, 50R.	3198	018	90010	7602	IC, M24C08-WBN6.	9322	154	38682
5602	Coil, 5u6.	3198	018	15680	7606	Transistor, NPN, PDTCL143ZT.	9340	547	00215
5603	Coil, 5u6.	3198	018	15680	7801	IC, HEF4052BT.	9333	729	50653
5604	Coil, 5u6.	3198	018	15680	7802	IC, HEF4053BT.	9333	729	60653
5831	Coil, 6u8.	3198	018	16880	7831	IC, MSP3445G-PO-B8	9322	160	81682
5832	Coil, 6u8.	3198	018	16880	7901	IC, AN7522N.	9322	158	65667
5833	Coil, 6u8.	3198	018	16880	9001	Wire Jumper, 0.58MM.	3198	036	90010
5835	Coil, 12u.	3198	018	31290	9171	Wire Jumper, 0.58MM.	3198	036	90010
6001	Zener Diode, 33 volt	3198	010	23390	9172	Wire Jumper, 0.58MM.	3198	036	90010
6006	Diode, Signal, 1N4148.	3198	010	10010	9173	Wire Jumper, 0.58MM.	3198	036	90010
6007	Diode, Signal, 1N4148.	3198	010	10010	9175	Wire Jumper, 0.58MM.	3198	036	90010
6150	Diode, Signal, BAS316.	3198	010	10630	9176	Wire Jumper, 0.58MM.	3198	036	90010
6201	Diode, Signal, BAS316.	3198	010	10630	9178	Wire Jumper, 0.58MM.	3198	036	90010
6202	Diode, Signal, BAS316.	3198	010	10630	9179	Wire Jumper, 0.58MM.	3198	036	90010
6206	Zener Diode, 6.8 volt.	3198	020	56880	9181	Wire Jumper, 0.58MM.	3198	036	90010
6400	Res, 1K, 1%, 3/5W, Metal Film.	2312	915	11002	9182	Wire Jumper, 0.58MM.	3198	036	90010
6401	Zener Diode, 47 volt	3198	010	24790	9183	Wire Jumper, 0.58MM.	3198	036	90010
6444	Diode, Signal, 1N4148.	3198	010	10010	9192	Wire Jumper, 0.58MM.	3198	036	90010
6445	Zener Diode, 10 volt	3198	020	51090	9193	Wire Jumper, 0.58MM.	3198	036	90010
6447	Diode, Signal, 1N4148.	3198	010	10010	9406	Wire Jumper, 0.58MM.	3198	036	90010
6448	Zener Diode, 6.2 volt.	9331	668	30133	9407	Wire Jumper, 0.58MM.	3198	036	90010
6449	Diode, Signal, BAV99	3198	010	10620	9408	Wire Jumper, 0.58MM.	3198	036	90010
6460	Diode, Rect, DG3-7005L.	9336	436	10682	9409	Wire Jumper, 0.58MM.	3198	036	90010
6461	Diode, Rect, RGP30J-L7004	9338	617	60682	9410	Wire Jumper, 0.58MM.	3198	036	90010
6462	Zener Diode, 9.1 volt.	9331	177	80133	9411	Wire Jumper, 0.58MM.	3198	036	90010
6465	Diode, Signal, BAV21	3198	010	10070	9412	Wire Jumper, 0.58MM.	3198	036	90010
6466	Diode, Signal, BAV21	3198	010	10070	9413	Wire Jumper, 0.58MM.	3198	036	90010
6467	Diode, Signal, BAV70	9331	849	10215	9414	Wire Jumper, 0.58MM.	3198	036	90010
6468	Diode, Signal, BAS316.	3198	010	10630	9415	Wire Jumper, 0.58MM.	3198	036	90010
6470	Diode, Signal, BAV99	3198	010	10620	9416	Wire Jumper, 0.58MM.	3198	036	90010
6476	Zener Diode, 15 volt	3198	010	21590	9417	Wire Jumper, 0.58MM.	3198	036	90010
6481	Zener Diode, 5.6 volt.	3198	010	25680	9418	Wire Jumper, 0.58MM.	3198	036	90010
6482	Zener Diode, 9.1 volt.	9331	177	80133	9419	Wire Jumper, 0.58MM.	3198	036	90010
6483	Zener Diode, 33 volt	3198	010	23390	9421	Wire Jumper, 0.58MM.	3198	036	90010
6485	Diode, Rect, BYD33J	9337	234	20133	9422	Wire Jumper, 0.58MM.	3198	036	90010
6486	Diode, Rect, EGP20DL-5100	9322	164	42682	9423	Wire Jumper, 0.58MM.	3198	036	90010
6487	Diode, Rect, BYD33D	9337	234	00133	9425	Wire Jumper, 0.58MM.	3198	036	90010
6488	Diode, Rect, EGP20DL-5100	9322	164	42682	9453	Wire Jumper, 0.58MM.	3198	036	90010
6500	Diode, Bridge Rect, GBU6JL-7002	9322	138	08667	9460	Wire Jumper, 0.58MM.	3198	036	90010
6520	Diode, Rect, BYD33D	9337	234	00133	9463	Wire Jumper, 0.58MM.	3198	036	90010
6523	Diode, Signal, 1N4148.	3198	010	10010	9500	Wire Jumper, 0.58MM.	3198	036	90010
6524	Wire Jumper, 0.58MM.	3198	036	90010	9501	Wire Jumper, 0.58MM.	3198	036	90010
6525	Diode, Rect, 1N5062	3198	010	10120	9503	Wire Jumper, 0.58MM.	3198	036	90010
6540	Zener Diode, 6.2 volt.	9331	668	30133	9506	Wire Jumper, 0.58MM.	3198	036	90010
6541	Zener Diode, 10 volt	3198	020	51090	9507	Wire Jumper, 0.58MM.	3198	036	90010
6560	Diode, Rect, BYV29X-500	9340	555	59127	9512	Wire Jumper, 0.58MM.	3198	036	90010
6562	Diode, Rect, EGP20DL-5100	9322	164	42682	9513	Wire Jumper, 0.58MM.	3198	036	90010
6563	Diode, Signal, BAS316.	3198	010	10630	9514	Wire Jumper, 0.58MM.	3198	036	90010
6565	Diode, Signal, BAV70	9331	849	10215	9515	Wire Jumper, 0.58MM.	3198	036	90010
6566	Diode, Signal, 1N4148.	3198	010	10010	9516	Wire Jumper, 0.58MM.	3198	036	90010
6569	Diode, Signal, BAS316.	3198	010	10630	9518	Wire Jumper, 0.58MM.	3198	036	90010
6570	Zener Diode, 6.8 volt.	3198	020	56880	9519	Wire Jumper, 0.58MM.	3198	036	90010
6580	Diode, Signal, BAS316.	3198	010	10630	9520	Wire Jumper, 0.58MM.	3198	036	90010
6681	Diode, Signal, BAT85	9336	247	60133	9521	Wire Jumper, 0.58MM.	3198	036	90010
6691	LED, LTL-10224WHCR.	9322	050	99682	9522	Wire Jumper, 0.58MM.	3198	036	90010
6692	IR Receiver, TSOP1836UH3V	9322	127	54667	9524	Wire Jumper, 0.58MM.	3198	036	90010
6831	Diode, Signal, 1N4148.	3198	010	10010	9525	Wire Jumper, 0.58MM.	3198	036	90010
6901	Res, Zero ohm, "Chip" Jumper	3198	021	90020	9610	Wire Jumper, 0.58MM.	3198	036	90010
7101	Transistor, NPN, BC847B.	3198	010	42030	9611	Coil, 27u.	3198	018	22790
7102	Transistor, PNP, BC857B.	3198	010	42150	9612	Wire Jumper, 0.58MM.	3198	036	90010
7103	Transistor, NPN, BC847B.	3198	010	42030	9613	Wire Jumper, 0.58MM.	3198	036	90010
7171	Transistor, PNP, BC857B.	3198	010	42150	9614	Wire Jumper, 0.58MM.	3198	036	90010
7172	Transistor, PNP, BC857B.	3198	010	42150	9615	Wire Jumper, 0.58MM.	3198	036	90010
7173	Transistor, NPN, BC847B.	3198	010	42030	9616	Wire Jumper, 0.58MM.	3198	036	90010
7174	Transistor, PNP, BC857B.	3198	010	42150	9617	Wire Jumper, 0.58MM.	3198	036	90010
7200	IC, TDA9588H/N1/3/0484	9352	699	90557	9618	Wire Jumper, 0.58MM.	3198	036	90010
7201	Transistor, NPN, BC847B.	3198	010	42030	9619	Wire Jumper, 0.58MM.	3198	036	90010
7204	Transistor, PNP, BC857B.	3198	010	42150	9620	Wire Jumper, 0.58MM.	3198	036	90010
7205	Transistor, PNP, BC857B.	3198	010	42150	9621	Wire Jumper, 0.58MM.	3198	036	90010
7208	Transistor, PNP, BC857B.	3198	010	42150	9622	Wire Jumper, 0.58MM.	3198	036	90010
7400	FET Power, STP3NC60FP.	9322	157	37687	9623	Wire Jumper, 0.58MM.	3198	036	90010
7441	Transistor, PNP, BC857B.	3198	010	42150	9624	Wire Jumper, 0.58MM.	3198	036	90010
7443	Transistor, PNP, BC557B.	3198	020	40110	9625	Wire Jumper, 0.58MM.	3198	036	90010
7460	Transistor, NPN, BU4508DX.	9340	550	92127	9626	Wire Jumper, 0.58MM.	3198	036	90010
7461	Transistor, NPN, BC337-25.	3198	020	43530	9627	Wire Jumper, 0.58MM.	3198	036	90010
7462	Transistor, NPN, PDTCL143ZT.	9340	547	00215	9628	Wire Jumper, 0.58MM.	3198	036	90010
7463	Transistor, PNP, BC327-25.	3198	020	43430	9629	Wire Jumper, 0.58MM.	3198	036	90010
7471	IC, TDA8359J/N2.	9352	701	64112	9630	Wire Jumper, 0.58MM.	3198	036	90010
7480	Transistor, NPN, BD135	3198	020	41010	9631	Wire Jumper, 0.58MM.	3198	036	90010
7482	Transistor, NPN, BD135	3198	020	41010	9632	Wire Jumper, 0.58MM.	3198	036	90010
S 7515	Optic Coupler, TCET1103(G)	9322	140	14667	9633	Wire Jumper, 0.58MM.	3198	036	90010
7520	IC, TEA1507P/N1.	9352	673	56112	9634	Wire Jumper, 0.58MM.	3198	036	90010

S = Safety Part Be sure to use exact replacement part.

32PS61SK21 (continued)

2801	Cap, 100n, +80/-20%, 25v, Ceramic.	3198 023 21040	3844	Res, 390 ohm, 5%, 1/10W, Metalized Gl	
2802	Cap, 100n, +80/-20%, 25v, Ceramic.	3198 023 21040		ass.	3198 021 53910
2803	Cap, 47u, 20%, 25v, Electrolytic	3198 025 34790	3845	Res, 390 ohm, 5%, 1/10W, Metalized Gl	
2804	Cap, 10u, 20%, 50v, Electrolytic	3198 025 51090		ass.	3198 021 53910
2805	Cap, 100n, +80/-20%, 25v, Ceramic.	3198 023 21040	3846	Res, 100 ohm, 5%, 1/10W, Metalized Gl	
2806	Cap, 100u, 20%, 25v, Electrolytic.	3198 025 31010		ass.	3198 021 51010
2807	Cap, 47p, 5%, 50v, Ceramic.	3198 016 04790	3848	Res, 220 ohm, 5%, 1/10W, Metalized Gl	
2808	Cap, 10u, 20%, 50v, Electrolytic	3198 025 51090		ass.	3198 021 52210
2809	Cap, 10n, 10%, 50v, Ceramic.	3198 017 01030	3849	Res, 390 ohm, 5%, 1/10W, Metalized Gl	
2810	Cap, 10n, 10%, 50v, Ceramic.	3198 017 01030		ass.	3198 021 53910
2811	Cap, 10n, 10%, 50v, Ceramic.	3198 017 01030	3850	Res, 390 ohm, 5%, 1/10W, Metalized Gl	
2812	Cap, 47u, 20%, 25v, Electrolytic	3198 025 34790		ass.	3198 021 53910
2813	Cap, 10u, 20%, 50v, Electrolytic	3198 025 51090	3851	Res, 100 ohm, 5%, 1/10W, Metalized Gl	
2814	Cap, 10n, 10%, 50v, Ceramic.	3198 017 01030		ass.	3198 021 51010
2815	Cap, 10n, 10%, 50v, Ceramic.	3198 017 01030	3852	Res, 12K, 5%, 1/10W, Metalized Glass	3198 021 51230
2816	Cap, 10n, 10%, 50v, Ceramic.	3198 017 01030	3853	Res, 12K, 5%, 1/10W, Metalized Glass	3198 021 51230
2819	Cap, 12p, 5%, 50v, Ceramic.	3198 016 01290	3854	Res, 15K, 5%, 1/10W, Metalized Glass	3198 021 51530
2820	Cap, 220n, +80/-20%, 25v, Ceramic.	3198 023 22240	3856	Res, 820 ohm, 5%, 1/10W, Metalized Gl	
2821	Cap, 220n, +80/-20%, 25v, Ceramic.	3198 023 22240		ass.	3198 021 58210
2822	Cap, 33n, 10%, 50v, Ceramic.	3198 017 03330	3857	Res, Zero ohm, "Chip" Jumper	3198 021 90020
2823	Cap, 10n, 10%, 50v, Ceramic.	3198 017 01030	3858	Res, 1K2, 5%, 1/10W, Metalized Glass	3198 021 51220
2824	Cap, 47u, 20%, 25v, Electrolytic	3198 025 34790	3859	Res, 47K, 5%, 1/10W, Metalized Glass	3198 021 54730
2825	Cap, 10n, 10%, 50v, Ceramic.	3198 017 01030	3860	Res, 1K8, 5%, 1/10W, Metalized Glass	3198 021 51820
2826	Cap, 560p, 5%, 50v, Ceramic.	3198 016 05610	3862	Res, 33 ohm, 5%, 1/10W, Metalized Gla	
2827	Cap, 10n, 10%, 50v, Ceramic.	3198 017 01030		ss.	3198 021 53390
2828	Cap, 100n, +80/-20%, 25v, Ceramic.	3198 023 21040	3865	Res, 150 ohm, 5%, 1/6W, Carbon Film.	3198 011 01510
2829	Cap, 47u, 20%, 25v, Electrolytic	3198 025 34790	3890	Res, 68 ohm, 5%, 1/6W, Carbon Film	3198 011 06890
2830	Cap, 100n, +80/-20%, 25v, Ceramic.	3198 023 21040	4800	Res, Zero ohm, "Chip" Jumper	3198 021 90020
2831	Cap, 47u, 20%, 25v, Electrolytic	3198 025 34790	4870	Res, Zero ohm, "Chip" Jumper	3198 021 90020
2832	Cap, 100n, +80/-20%, 25v, Ceramic.	3198 023 21040	4871	Res, Zero ohm, "Chip" Jumper	3198 021 90020
2833	Cap, 47u, 20%, 25v, Electrolytic	3198 025 34790	4872	Res, Zero ohm, "Chip" Jumper	3198 021 90020
2834	Cap, 100n, 10%, 16v, Ceramic.	3198 017 01040	4909	Res, Zero ohm, "Chip" Jumper	3198 021 90020
2837	Cap, 10n, 10%, 50v, Ceramic.	3198 017 01030	5890	Coil, 10u.	3198 018 21090
2858	Cap, 47u, 20%, 25v, Electrolytic	3198 025 34790	5891	Coil, 10u.	3198 018 21090
2859	Cap, 470n, +80/-20%, 16v, Ceramic.	3198 017 24740	5892	Coil, 10u.	3198 018 21090
2862	Cap, 390p, 5%, 50v, Ceramic.	3198 016 03910	6800	Diode, Signal, BAT85	9336 247 60133
2890	Cap, 100u, 20%, 25v, Electrolytic.	3198 025 31010	6801	Diode, Signal, BAT85	9336 247 60133
2891	Cap, 10n, 10%, 50v, Ceramic.	3198 017 01030	6802	Diode, Signal, BAT85	9336 247 60133
2892	Cap, 47u, 20%, 25v, Electrolytic	3198 025 34790	6890	Zener Diode, 3.9 volt.	3198 020 53980
2893	Cap, 47u, 20%, 25v, Electrolytic	3198 025 34790	7801	IC, HEF4053BT.	9333 729 60653
2894	Cap, 10n, 10%, 50v, Ceramic.	3198 017 01030	7802	IC, N74F06N.	9339 990 90602
3801	Res, 100 ohm, 5%, 1/10W, Metalized Gl		7803	IC, M65669SP	9322 146 60682
	ass.	3198 021 51010	7804	Transistor, NPN, BC847B.	3198 010 42030
3802	Res, 100 ohm, 5%, 1/10W, Metalized Gl		7805	Transistor, NPN, BC847B.	3198 010 42030
	ass.	3198 021 51010	7806	Transistor, NPN, BC847B.	3198 010 42030
3803	Res, 1K, 5%, 1/6W, Carbon Film	3198 011 01020	7807	Transistor, NPN, BC847B.	3198 010 42030
3804	Res, 1K5, 5%, 1/6W, Carbon Film.	3198 011 01520	7808	Transistor, NPN, PMBT2369.	9338 288 90215
3805	Res, 100 ohm, 5%, 1/10W, Metalized Gl		7809	Transistor, PNP, BC857B.	3198 010 42150
	ass.	3198 021 51010	7810	Transistor, NPN, BC847B.	3198 010 42030
3806	Res, 2K7, 5%, 1/10W, Metalized Glass	3198 021 52720	7811	Transistor, NPN, PMBT2369.	9338 288 90215
3807	Res, 8K2, 5%, 1/10W, Metalized Glass	3198 021 58220	7812	Transistor, PNP, BC857B.	3198 010 42150
3808	Res, 8K2, 5%, 1/10W, Metalized Glass	3198 021 58220	7813	Transistor, NPN, BC847B.	3198 010 42030
3809	Res, 8K2, 5%, 1/10W, Metalized Glass	3198 021 58220	7814	Transistor, NPN, PMBT2369.	3198 010 43360
3810	Res, 10K, 5%, 1/10W, Metalized Glass	3198 021 51030	7815	Transistor, PNP, BC857B.	3198 010 42150
3812	Res, 10K, 5%, 1/10W, Metalized Glass	3198 021 51030	7816	Transistor, NPN, BC847B.	3198 010 42030
3813	Res, 15K, 5%, 1/6W, Carbon Film.	3198 011 01530	7818	IC, HEF4053BT.	9333 729 60653
3814	Res, 1K, 5%, 1/10W, Metalized Glass.	3198 021 51020	7820	Transistor, NPN, BC847B.	3198 010 42030
3815	Res, 1K, 5%, 1/10W, Metalized Glass.	3198 021 51020	7890	IC, MC78M05CT.	9334 703 90687
3816	Res, 820 ohm, 5%, 1/10W, Metalized Gl		7891	Transistor, NPN, BC337	9331 796 00126
	ass.	3198 021 58210	9800	Wire Jumper, 0.58MM.	3198 036 90010
3817	Res, 1K, 5%, 1/10W, Metalized Glass.	3198 021 51020	9810	Wire Jumper, 0.58MM.	3198 036 90010
3818	Res, 15K, 5%, 1/10W, Metalized Glass	3198 021 51530	9912	Wire Jumper, 0.58MM.	3198 036 90010
3819	Res, 10K, 5%, 1/10W, Metalized Glass	3198 021 51030	9913	Wire Jumper, 0.58MM.	3198 036 90010
3820	Res, 1K, 5%, 1/6W, Carbon Film	3198 011 01020	9914	Wire Jumper, 0.58MM.	3198 036 90010
3821	Res, 390 ohm, 5%, 1/10W, Metalized Gl		9915	Wire Jumper, 0.58MM.	3198 036 90010
	ass.	3198 021 53910	9917	Wire Jumper, 0.58MM.	3198 036 90010
3822	Res, 390 ohm, 5%, 1/10W, Metalized Gl		9919	Wire Jumper, 0.58MM.	3198 036 90010
	ass.	3198 021 53910	9920	Wire Jumper, 0.58MM.	3198 036 90010
3823	Res, 390 ohm, 5%, 1/10W, Metalized Gl		9921	Wire Jumper, 0.58MM.	3198 036 90010
	ass.	3198 021 53910	9922	Wire Jumper, 0.58MM.	3198 036 90010
3824	Res, 15K, 5%, 1/10W, Metalized Glass	3198 021 51530	9924	Wire Jumper, 0.58MM.	3198 036 90010
3827	Res, 330 ohm, 5%, 1/10W, Metalized Gl		9925	Wire Jumper, 0.58MM.	3198 036 90010
	ass.	3198 021 53310	9927	Wire Jumper, 0.58MM.	3198 036 90010
3828	Res, 4M7, 5%, 1/10W, Metalized Glass	3198 021 54750	9928	Wire Jumper, 0.58MM.	3198 036 90010
3829	Res, 15K, 5%, 1/10W, Metalized Glass	3198 021 51530	9929	Wire Jumper, 0.58MM.	3198 036 90010
3830	Res, 2K2, 5%, 1/10W, Metalized Glass	3198 021 52220			
3831	Res, 1M, 5%, 1/10W, Metalized Glass.	3198 021 51050			
3832	Res, 100 ohm, 5%, 1/6W, Carbon Film.	3198 011 01010			
3833	Res, 100 ohm, 5%, 1/10W, Metalized Gl				
	ass.	3198 021 51010			
3834	Res, 100 ohm, 5%, 1/10W, Metalized Gl				
	ass.	3198 021 51010			
3836	Res, 1K, 5%, 1/10W, Metalized Glass.	3198 021 51020			
3838	Res, 220 ohm, 5%, 1/10W, Metalized Gl				
	ass.	3198 021 52210			
3839	Res, 390 ohm, 5%, 1/10W, Metalized Gl				
	ass.	3198 021 53910			
3840	Res, 390 ohm, 5%, 1/10W, Metalized Gl				
	ass.	3198 021 53910			
3841	Res, 100 ohm, 5%, 1/10W, Metalized Gl				
	ass.	3198 021 51010			
3843	Res, 220 ohm, 5%, 1/10W, Metalized Gl				
	ass.	3198 021 52210			

S = Safety Part Be sure to use exact replacement part.

CH0127C321 - Manual no. 7629

Cabinet & Accessory Parts

Cabinet & Accessory Parts

Main Chassis Assembly Parts

7200 IC, SM TDA9563H/N1/3/0485. 4835 310 57624

Cabinet & Accessory Parts

S AC01	Mainscord.	3135	128	70011
AC02	Clip, Mainscord (Not Shown).	3135	014	09331
AC04	Cabinet, Back.	3135	124	00141
AC09	Clip, Anode Lead (Not Shown).	3135	014	04471
S AC10	CRT A68AJB82X11.	9301	891	90631
AC11	Customer Control Buttons	3139	124	30901
AC12	Coil, Degaussing	2422	549	43967
AC13	Holder, Degaussing (4 Used).	3135	013	01641
AC16	Owner's Manual	3135	015	16031
AC20	Cabinet, Front Assembly - Model CH0127C321.	3121	237	52391
AC20A	Cabinet, Front	3135	127	50011
AC20B	Chassis Guide.	3139	124	31381
AC20D	Light Guide.	3139	124	26461
AC20E	Nameplate.	3135	015	03571
AC20F	Knob, Mains.	3139	124	26444
AC20J	Speaker, 16R, 1W5 (2 Used)	2422	264	00343
AC20L	Chassis Guide (ITV).	3139	124	41711
AC22	Spring	3139	121	26231
AC24	Bracket, EPS Module, (ITV) (Not Shown)	3119	107	17241
AC25	Bracket, Sysgtem (Not Shown)	3139	124	37932
AC26	Housing, Smart Port.	3135	124	00121
AC27	Bracket, Power Button.	3135	121	20061
AC28	Door, Card (ITV)	3135	014	05191
CBA	EPS(LB). Module, (ITV)	3139	137	22961
CBA	SP/LS (VERT). Module-ITV	3139	127	27372

Main Chassis Assembly Parts

Main Chassis Assembly Parts

1000	Tuner, V+U PLL	2422	542	90113
7200	IC, SM TDA9587H/N1/3/0485.	4835	310	57618
0040	Cover, Cinch	3139	124	25551
0118	U-Cooling Plate.	3139	121	26731
0122	Heatsink, Line	3135	121	60041
0124	Heatsink, SOPS	3139	121	62201
0127	Socket, Fuse	2422	088	00271
0129	NTC, Holder.	3139	120	10151
0137	Spring	3139	121	24581
0138	IC-Spring.	3104	301	22081
0139	Spring for Bracket	3122	121	24786
0141	IC-Spring.	3104	301	22081
0152	Cable, DIP, 6 Pin, 400mm	3104	301	09421
0153	Cable, DIPMate, 5 Pin, 480mm	3139	121	07951
0211	Connector, 2 Pin	2422	025	16269
S 0212	Connector, 2 Pin	2422	025	16375
0213	Connector, 2 Pin	2422	025	16374
0217	Connector, 6 Pin	2422	025	12482
0218	Socket, Cinch, 3 Pin	2422	026	04742
S 0220	Connector, 5 Pin	2422	025	04853
S 0221	Connector, 4 Pin	2422	025	15503
S 0222	Connector, 2 Pin	2422	025	10646
0227	Connector, 6 Pin	2422	025	15849
0229	Connector, 3 Pin	2412	020	00725
0240	Connector, 7 Pin	2422	025	11244
0242	Connector, 7 Pin	2422	025	17042
S 0243	Connector, 6 Pin	2422	025	04854
0246	Connector, 5 Pin	2422	025	12481
0251	Connector, 3 Pin	2412	020	00725
0259	Connector, 5 Pin	2422	025	15848
0267	Connector, 3 Pin	2412	020	00725
1002	SAW Filter, 45MHz75, OFWM1971M	2422	549	44518
1200	Filter, Ceramic, 4MHz5	2422	549	40807
S 1500	Fuse, 4A, 250V, IEC.	2422	086	10914
S 1515	Relay, 12V, 5A G5PA-1.	2422	132	07444
1600	Switch, Tactile.	2422	128	02742
1601	Switch, Tactile.	2422	128	02742
1602	Switch, Tactile.	2422	128	02742
1603	Switch, Tactile.	2422	128	02742
1606	Switch, Tactile.	2422	128	02742
1660	Crystal, 12MHz000.	2422	543	01203
1861	Ceramic Resonator, 514KHz5, CSB503F58	2422	540	98344
2004	Cap, 47n, 10%, 16v, Ceramic.	3198	017	34730
2005	Cap, 10u, 20%, 50v, Electrolytic	3198	025	51090
2006	Cap, 470u, 20%, 16v, Electrolytic.	3198	025	24710
2007	Cap, 100n, +80/-20%, 25v, Ceramic.	3198	023	41040
2008	Cap, 100u, 20%, 25v, Electrolytic.	3198	025	31010
2009	Cap, 22n, 10%, 25v, Ceramic.	3198	017	32230
2105	Cap, 470p, 10%, 50v, Ceramic	3198	019	14230
2106	Cap, 470p, 10%, 50v, Ceramic	3198	019	14710
2135	Cap, 22p, 5%, 50v, Ceramic	3198	016	32290
2136	Cap, 22p, 5%, 50v, Ceramic	3198	016	32290
2181	Cap, 22p, 5%, 50v, Ceramic	3198	016	32290
2182	Cap, 330p, 10%, 50v, Ceramic	3198	017	33310
2183	Cap, 330p, 10%, 50v, Ceramic	3198	017	33310
2184	Res, Zero ohm, "Chip" Jumper	3198	021	90030

S = Safety Part Be sure to use exact replacement part.

2202	Cap, 100n, +80/-20%, 25v, Ceramic.	3198	023	21040
2203	Cap, 100n, +80/-20%, 25v, Ceramic.	3198	023	41040
2204	Cap, 100n, +80/-20%, 25v, Ceramic.	3198	023	41040
2205	Cap, 220n, +80/-20%, 25v, Ceramic.	3198	023	22240
2208	Cap, 100n, +80/-20%, 25v, Ceramic.	3198	023	41040
2209	Cap, 4u7, 20%, 50v, Electrolytic	3198	025	54780
2210	Cap, lu, +80/-20%, 16v, Ceramic.	3198	017	21050
2211	Cap, 470n, +80/-20%, 16v, Ceramic.	3198	017	24740
2213	Cap, 22n, 10%, 50v, Ceramic.	3198	017	02230
2214	Cap, 22n, 10%, 50v, Ceramic.	3198	017	02230
2215	Cap, 22n, 10%, 50v, Ceramic.	3198	017	02230
2216	Cap, 1000u, 20%, 16v, Electrolytic	3198	026	21020
2217	Cap, 22n, 10%, 25v, Ceramic.	3198	017	32230
2219	Cap, 220n, +80/-20%, 25v, Ceramic.	3198	023	22240
2220	Cap, 470n, 10%, 50v, Polyester	3198	014	04740
2221	Cap, 22n, +80/-20%, 50v, Ceramic	3198	017	22230
2226	Cap, 100p, 5%, 50v, Ceramic.	3198	016	31010
2227	Cap, 4n7, 10%, 50v, Ceramic.	3198	017	34720
2228	Cap, 820p, 5%, 25v, Ceramic.	3198	016	38210
2229	Cap, 10u, 20%, 50v, Electrolytic	3198	025	51090
2241	Cap, 1n5, 10%, 50v, Ceramic.	3198	017	31520
2242	Cap, lu, +80/-20%, 10v, Ceramic.	3198	017	41050
2243	Cap, 2n2, 10%, 50v, Ceramic.	3198	017	02220
2244	Cap, 100n, 5%, 63v, Metalized Polyst er.	2222	370	76104
2245	Cap, 220n, +80/-20%, 16v, Ceramic.	3198	017	42240
2247	Cap, 1000u, 20%, 16v, Electrolytic	3198	026	21020
2248	Cap, 22n, 10%, 50v, Ceramic.	3198	017	02230
2249	Cap, 22n, 10%, 25v, Ceramic.	3198	017	32230
2250	Cap, 2u2, 20%, 50v, Electrolytic	3198	025	52280
2252	Cap, 1n, 5%, 50v, Ceramic.	3198	016	01020
2253	Cap, 1n, 5%, 50v, Ceramic.	3198	016	01020
2254	Res, Zero ohm, "Chip" Jumper	3198	021	90020
2405	Cap, 220u, 20%, 25v, Electrolytic.	3198	025	32210
2441	Cap, lu, 20%, 50v, Electrolytic.	3198	025	51080
2443	Cap, 47n, +80/-20%, 50v, Ceramic	3198	017	24730
2444	Cap, lu, 20%, 50v, Electrolytic.	3198	025	51080
2450	Cap, 47u, 20%, 160v, Electrolytic.	2020	021	91139
2451	Cap, 15n, 10%, 50v, Polyester.	3198	014	01530
2452	Res, Zero ohm, "Chip" Jumper	3198	021	90020
2455	Cap, 47u, 20%, 25v, Electrolytic	3198	025	34790
2457	Cap, 470n, 5%, 250v, Polypropylene	2222	479	90023
2458	Cap, 2u2, 20%, 100v, Electrolytic.	2020	021	91331
2459	Cap, 680p, 10%, 500v, Ceramic.	3198	019	46810
2460	Cap, 100p, 5%, 50v, Ceramic.	3198	016	01010
2462	Cap, 330n, 10%, 250v, Polypropylene	2022	333	00084
2463	Cap, 680p, 10%, 2000v, Ceramic	2020	558	90485
2465	Cap, 11n, 5%, 1600v, Polypropylene	2222	375	90155
2471	Cap, 100n, 10%, 50v, Polyester	3198	014	01040
2472	Cap, 150n, 10%, 63v, Polyester	2222	365	75154
2473	Cap, 100n, 10%, 63v, Polyester	2222	365	75104
2474	Cap, 2n2, 10%, 50v, Ceramic.	3198	017	02220
2475	Cap, 2n2, 10%, 50v, Ceramic.	3198	017	02220
2476	Cap, 4n7, 10%, 50v, Ceramic.	3198	017	04720
2480	Cap, 47u, 20%, 25v, Electrolytic	2020	021	90586
2481	Cap, 470p, 10%, 500v, Ceramic.	3198	019	44710
2482	Cap, 68n, 10%, 250v, Polyester	2222	347	90234
2485	Cap, 4u7, 20%, 250v, Electrolytic.	2020	021	90856
2486	Cap, 470u, 20%, 16v, Electrolytic.	2020	021	91577
2487	Cap, 47u, 20%, 50v, Electrolytic	2020	021	90854
2488	Cap, 1000u, 20%, 16v, Electrolytic	2020	021	91049
2489	Cap, 470u, 20%, 16v, Electrolytic.	2020	021	91577
2491	Cap, 1n, 10%, 500v, Ceramic.	3198	019	41020
2500	Cap, 470n, 20%, 275v, Polypropylene.	2222	336	29148
2501	Cap, 2n2, 10%, 1000v, Ceramic.	3198	019	52220
2502	Cap, 2n2, 10%, 1000v, Ceramic.	3198	019	52220
2503	Cap, 470u, 20%, 200v, Electrolytic	2020	024	90626
2505	Cap, 2n2, 10%, 1000v, Ceramic.	3198	019	52220
2507	Cap, 470p, 10%, 50v, Ceramic	3198	017	04710
2508	Cap, 470p, 10%, 1000v, Ceramic	3198	019	64710
S 2515	Cap, 1n5, 20%, v, Ceramic.	2020	554	90128
2520	Cap, 100n, 10%, 16v, Ceramic	3198	017	01040
2521	Cap, 22u, 20%, 50v, Electrolytic	3198	025	52290
2522	Cap, 100n, 10%, 16v, Ceramic	3198	017	01040
2523	Cap, 1n5, 10%, 2000v, Ceramic.	2020	558	90489
2525	Cap, 470p, 10%, 50v, Ceramic	3198	017	04710
2527	Cap, 2n2, 10%, 50v, Ceramic.	3198	017	02220
2528	Cap, 1n, 10%, 50v, Ceramic	3198	017	01020
2540	Cap, 10n, 10%, 50v, Ceramic.	3198	017	01030
2560	Cap, 680p, 10%, 1000v, Ceramic	3198	019	66810
2561	Cap, 100u, 20%, 160v, Electrolytic	2020	021	91654
2562	Cap, 1n, 10%, 50v, Ceramic	3198	019	11020
2563	Cap, 100n, 10%, 50v, Polyester	3198	014	01040
2564	Cap, 2u2, 20%, 25v, Electrolytic	2020	021	91353
2567	Cap, 47u, 20%, 25v, Electrolytic	3198	025	34790
2580	Cap, 47u, 20%, 16v, Electrolytic	3198	028	24790
2581	Cap, 22u, 20%, 50v, Electrolytic	3198	025	52290
2601	Cap, 220n, +80/-20%, 25v, Ceramic.	3198	023	22240
2602	Cap, 100p, 5%, 50v, Ceramic.	3198	016	01010
2606	Cap, 1n, 10%, 50v, Ceramic	3198	017	31020
2607	Cap, 33p, 5%, 50v, Ceramic	3198	016	33390
2608	Cap, lu, +80/-20%, 10v, Ceramic.	3198	017	41050

CH0127C321 (continued)

2609	Cap, 33p, 5%, 50v, Ceramic	3198 016 33390	3223	Res, 100 ohm, 5%, 1/10W, Metalized Gl	
2611	Cap, 1u, +80/-20%, 10v, Ceramic. . .	3198 017 41050		ass.	3198 021 51010
2612	Cap, 68p, 5%, 50v, Ceramic	3198 016 36890	3226	Res, 560 ohm, 5%, 1/16W, Metalized Gl	
2613	Cap, 68p, 5%, 50v, Ceramic	3198 016 36890		ass.	3198 021 35610
2615	Cap, 1n, 10%, 50v, Ceramic	3198 017 01020	3232	Res, 2K2, 5%, 1/16W, Metalized Glass	3198 021 32220
2616	Cap, 470n, +80/-20%, 10v, Ceramic. . .	3198 017 44740	3235	Res, 100 ohm, 5%, 1/6W, Carbon Film.	3198 011 01010
2618	Cap, 1u, +80/-20%, 10v, Ceramic. . .	3198 017 41050	3241	Res, 22K, 5%, 1/16W, Metalized Glass	3198 021 32230
2619	Cap, 1u, +80/-20%, 16v, Ceramic. . .	3198 017 21050	3242	Res, 12K, 5%, 1/10W, Metalized Glass	3198 021 51230
2691	Cap, 220u, 20%, 25v, Electrolytic. . .	3198 025 32210	3244	Res, 820 ohm, 5%, 1/6W, Carbon Film.	3198 011 08210
2801	Cap, 22u, 20%, 50v, Electrolytic . . .	3198 025 52290	3245	Res, 39K, 1%, 1/8W, Metalized Glass.	2322 734 63903
2802	Cap, 220n, +80/-20%, 16v, Ceramic. . .	3198 017 42240	3246	Res, 10K, 5%, 1/10W, Metalized Glass	3198 021 51030
2803	Cap, 2u2, +80/-20%, 10v, Ceramic . . .	3198 017 22250	3247	Res, 680K, 5%, 1/10W, Metalized Glass	3198 021 56840
2804	Cap, 2u2, +80/-20%, 10v, Ceramic . . .	3198 017 22250	3248	Res, 33K, 5%, 1/10W, Metalized Glass	3198 021 53330
2805	Cap, 2u2, +80/-20%, 10v, Ceramic . . .	3198 017 22250	3249	Res, 820 ohm, 5%, 1/6W, Carbon Film.	3198 011 08210
2806	Cap, 2u2, +80/-20%, 10v, Ceramic . . .	3198 017 22250	3250	Res, 8K2, 5%, 1/6W, Carbon Film. . .	3198 011 08220
2861	Cap, 220n, +80/-20%, 16v, Ceramic. . .	3198 017 42240	3251	Res, 100 ohm, 5%, 1/6W, Carbon Film.	3198 011 01010
2862	Cap, 2u2, +80/-20%, 10v, Ceramic . . .	3198 017 22250	3256	Res, 1K, 5%, 1/10W, Metalized Glass.	3198 021 51020
2864	Cap, 2u2, 20%, 50v, Electrolytic . . .	3198 025 52280	3257	Res, 10M, 5%, 1/10W, Metalized Glass	3198 021 51060
2865	Cap, 2u2, 20%, 50v, Electrolytic . . .	3198 025 52280	3258	Res, 100K, 5%, 1/10W, Metalized Glass	3198 021 51040
2866	Cap, 2u2, +80/-20%, 10v, Ceramic . . .	3198 017 22250	3259	Res, 470K, 5%, 1/10W, Metalized Glass	3198 021 54740
2867	Cap, 3n3, 10%, 50v, Ceramic.	3198 017 33320	3441	Res, 100 ohm, 5%, 1/10W, Metalized Gl	
2868	Cap, 150p, 5%, 50v, Ceramic.	3198 016 31510		ass.	3198 021 51010
2869	Cap, 47n, 10%, 50v, Polyester.	3198 014 04730	3442	Res, Zero ohm, "Chip" Jumper	3198 021 90020
2870	Cap, 47n, 10%, 50v, Polyester.	3198 014 04730	3443	Res, 1M, 5%, 1/10W, Metalized Glass.	3198 021 51050
2871	Cap, 150p, 5%, 50v, Ceramic.	3198 016 31510	3445	Res, 15K, 5%, 1/6W, Carbon Film. . .	3198 011 01530
2872	Cap, 3n3, 10%, 50v, Ceramic.	3198 017 33320	3446	Res, 5K6, 5%, 1/6W, Carbon Film. . .	3198 011 05620
2873	Cap, 2u2, +80/-20%, 10v, Ceramic . . .	3198 017 22250	3447	Res, 180 ohm, 5%, 1/6W, Carbon Film.	3198 011 01810
2874	Cap, 100u, 20%, 25v, Electrolytic. . .	3198 025 31010	3448	Res, 820 ohm, 5%, 1/6W, Carbon Film.	3198 011 08210
2875	Cap, 100u, 20%, 25v, Electrolytic. . .	3198 025 31010	3449	Res, 68 ohm, 5%, 1/6W, Carbon Film .	3198 011 06890
2876	Cap, 4u7, 20%, 50v, Electrolytic . . .	3198 025 54780	3450	Res, 33 ohm, 5%, 1/6W, Carbon Film .	3198 011 03390
2877	Cap, 10u, 20%, 50v, Electrolytic . . .	3198 025 51090	S 3451	Res, 10 ohm, 5%, 1/3W, Metal Film. . .	2306 204 03109
2878	Cap, 1u, 20%, 50v, Electrolytic.	3198 025 51080	3452	Res, 10K, 1%, 3/5W, Metal Film . . .	2312 915 11003
2879	Cap, 4n7, 10%, 50v, Ceramic.	3198 017 34720	3453	Res, 1K, 5%, 1/6W, Carbon Film . . .	3198 011 01020
2880	Cap, 22n, 10%, 25v, Ceramic.	3198 017 32230	3454	Res, 3K9, 1%, 3/5W, Metal Film . . .	2312 915 13902
2883	Cap, 470u, 20%, 16v, Electrolytic. . .	3198 025 24710	3455	Res, 6R8, 5%, 1 1/3W, Metal Film . . .	3198 012 26880
2884	Cap, 2u2, 20%, 50v, Electrolytic . . .	3198 025 52280	3456	Res, Zero ohm, "Chip" Jumper	3198 021 90020
2885	Cap, 220n, 10%, 50v, Polyester	3198 014 02240	3457	Res, Zero ohm, "Chip" Jumper	3198 021 90020
2886	Cap, 220n, +80/-20%, 16v, Ceramic. . .	3198 017 42240	3458	Res, 1K, 5%, 1/6W, Carbon Film . . .	3198 011 01020
2892	Cap, 4u7, +80/-20%, 10v, Ceramic . . .	2020 552 96305	3459	Res, 15K, 5%, 1 1/3W, Metal Film . . .	3198 012 21530
2893	Cap, 4u7, +80/-20%, 10v, Ceramic . . .	2020 552 96305	3460	Res, 3K9, 5%, 1/6W, Carbon Film. . .	3198 011 03920
2902	Cap, 220u, 20%, 50v, Electrolytic. . .	3198 026 52210	3463	Res, 33 ohm, 5%, 1/6W, Carbon Film .	3198 011 03390
2903	Cap, 1u, 20%, 50v, Electrolytic.	3198 025 51080	3465	Res, 27K, 1%, 3/5W, Metal Film . . .	2312 915 12703
2904	Cap, 470n, +80/-20%, 16v, Ceramic. . .	3198 017 24740	3468	Res, 220 ohm, 5%, 1/6W, Carbon Film.	3198 011 02210
2905	Cap, 1n, 10%, 50v, Ceramic	3198 017 31020	3469	Res, 3K3, 5%, 1/6W, Carbon Film. . .	3198 011 03320
2906	Cap, 470n, +80/-20%, 16v, Ceramic. . .	3198 017 24740	3470	Res, 330K, 5%, 1/10W, Metalized Glass	3198 021 53340
2907	Cap, 1n, 10%, 50v, Ceramic	3198 017 31020	3471	Res, 3R3, 1%, 3/5W, Metal Film . . .	2312 915 13308
2908	Cap, 10u, 20%, 50v, Electrolytic . . .	3198 025 51090	3472	Res, 3R3, 1%, 3/5W, Metal Film . . .	2312 915 13308
2910	Cap, 3n3, 10%, 50v, Ceramic.	3198 017 33320	3473	Res, 3R3, 1%, 3/5W, Metal Film . . .	2312 915 13308
2911	Cap, 3n3, 10%, 50v, Ceramic.	3198 017 33320	3474	Res, 2K2, 1%, 3/5W, Metal Film . . .	2312 915 12202
2950	Cap, 330p, 5%, 50v, Ceramic.	3198 016 33310	3475	Res, 2K2, 1%, 3/5W, Metal Film . . .	2312 915 12202
3000	Res, 100 ohm, 5%, 1/6W, Carbon Film.	3198 011 01010	3477	Res, 150 ohm, 5%, 1/6W, Carbon Film.	3198 011 01510
3001	Res, 100 ohm, 5%, 1/6W, Carbon Film.	3198 011 01010	3478	Res, 150 ohm, 5%, 1/6W, Carbon Film.	3198 011 01510
3002	Res, Zero ohm, "Chip" Jumper	3198 021 90030	3479	Res, 2K7, 5%, 1/10W, Metalized Glass	3198 021 52720
3003	Res, 1K5, 5%, 1/16W, Metalized Glass	3198 021 31520	3480	Res, 1R5, 5%, 1/4W, Carbon Film. . .	2120 101 74158
3004	Res, 8K2, 5%, 1/16W, Metalized Glass	3198 021 38220	3481	Res, 12K, 1%, 3/5W, Metal Film . . .	2312 915 11203
3005	Res, 100 ohm, 5%, 1/6W, Carbon Film.	3198 011 01010	3482	Res, 12K, 1%, 3/5W, Metal Film . . .	2312 915 11203
3104	Res, Zero ohm, "Chip" Jumper	3198 021 90030	3484	Res, 3K9, 5%, 1/6W, Carbon Film. . .	3198 011 03920
3106	Res, Zero ohm, "Chip" Jumper	3198 021 90030	3486	Res, 33 ohm, 5%, 2 1/2W, Metal Film.	3198 012 33390
3136	Res, 100 ohm, 5%, 1/6W, Carbon Film.	3198 011 01010	3488	Res, 4R7, 5%, 1/2W, Metal Film . . .	2306 207 03478
3138	Res, 100 ohm, 5%, 1/6W, Carbon Film.	3198 011 01010	3490	Res, 8K2, 5%, 1/6W, Carbon Film. . .	3198 011 08220
3151	Res, 680 ohm, 5%, 1/16W, Metalized Gl		3492	Res, 1K, 5%, 1/10W, Metalized Glass.	3198 021 51020
	ass.	3198 021 36810	3493	Res, 6R8, 5%, 1/3W, Metal Film . . .	2306 204 03688
3152	Res, 680 ohm, 5%, 1/16W, Metalized Gl		3494	Res, 4R7, 5%, 1/2W, Metal Film . . .	2306 207 03478
	ass.	3198 021 36810	3495	Res, 22K, 5%, 1/10W, Metalized Glass	3198 021 52230
3153	Res, 680 ohm, 5%, 1/16W, Metalized Gl		3496	Res, 100K, 5%, 1/10W, Metalized Glass	3198 021 51040
	ass.	3198 021 36810	3497	Res, 100K, 5%, 1/10W, Metalized Glass	3198 021 51040
3181	Res, 75 ohm, 5%, 1/6W, Carbon Film .	3198 011 07590	3498	Res, 12K, 5%, 1/10W, Metalized Glass	3198 021 51230
3182	Res, 100 ohm, 5%, 1/6W, Carbon Film.	3198 011 01010	3499	Res, 10K, 5%, 1/10W, Metalized Glass	3198 021 51030
3183	Res, 150 ohm, 5%, 1/6W, Carbon Film.	3198 011 01510	S 3500	Res, 3M3, 5%, 1/2W, Metalized Glass.	2322 242 13335
3184	Res, 47K, 5%, 1/16W, Metalized Glass	3198 021 34730	S 3501	Res, 3M3, 5%, 1/2W, Metalized Glass.	2322 242 13335
3185	Res, 150 ohm, 5%, 1/6W, Carbon Film.	3198 011 01510	S 3504	PTC, DC, 120V,P3020 B.	2120 661 00025
3186	Res, 47K, 5%, 1/16W, Metalized Glass	3198 021 34730	S 3506	Res, 1M5, 5%, 1/2W, Metalized Glass.	2322 242 13155
3200	Res, 390 ohm, 5%, 1/6W, Carbon Film.	3198 011 03910	S 3507	Surge Protector.	2422 549 40373
3201	Res, 100 ohm, 5%, 1/6W, Carbon Film.	3198 011 01010	S 3508	Res, 220 ohm, 20%, 1/2W, Carbon Film	3198 013 02210
3202	Res, 100 ohm, 5%, 1/6W, Carbon Film.	3198 011 01010	S 3510	NTC, DC, B57237, 3W1, 4R7, 20% . .	2122 612 00056
3203	Res, 100 ohm, 5%, 1/6W, Carbon Film.	3198 011 01010	3519	Res, 270 ohm, 5%, 1/6W, Carbon Film.	3198 011 02710
3204	Res, 22K, 5%, 1/6W, Carbon Film. . .	3198 011 02230	3520	Res, 1K2, 5%, 1/10W, Metalized Glass	3198 021 51220
3206	Res, 33K, 5%, 1/16W, Metalized Glass	3198 021 33330	3521	Res, 4R7, 5%, 1/6W, Carbon Film. . .	3198 011 04780
3207	Res, 1K, 5%, 1/6W, Carbon Film . . .	3198 011 01020	3522	Res, 330K, 1%, 1/8W, Metalized Glass	2322 734 63304
3208	Res, 220 ohm, 5%, 1/16W, Metalized Gl		S 3523	Res, 100 ohm, 5%, 1/3W, Metal Film .	2306 204 03101
	ass.	3198 021 32210	3524	Res, 56K, 5%, 1/10W, Metalized Glass	3198 021 55630
3209	Res, 68 ohm, 5%, 1/16W, Metalized Gla		3525	Res, 1K, 5%, 1/10W, Metalized Glass.	3198 021 51020
	ss.	3198 021 36890	3526	Res, 0R1, 5%, 3/5W, Metal Film . . .	3198 012 11070
3212	Res, 470 ohm, 5%, 1/16W, Metalized Gl		3527	Res, 0R33, 5%, 3/5W, Metal Film. . .	3198 012 13370
	ass.	3198 021 34710	3528	Res, Zero ohm, "Chip" Jumper	3198 021 90020
3213	Res, 560 ohm, 5%, 1/6W, Carbon Film.	3198 011 05610	3529	Res, 47K, 5%, 1/10W, Metalized Glass	3198 021 54730
3217	Res, 330K, 5%, 1/16W, Metalized Glass	3198 021 33340	3530	Res, 10K, 5%, 1/10W, Metalized Glass	3198 021 51030
3218	Res, 82K, 5%, 1/16W, Metalized Glass	3198 021 38230	3531	Res, 4K7, 5%, 1/10W, Metalized Glass	3198 021 54720
3219	Res, 2K2, 5%, 1/16W, Metalized Glass	3198 021 32220	S 3532	Res, 2K2, 5%, 1/3W, Metal Film . . .	2306 204 03222
3220	Res, 100 ohm, 5%, 1/6W, Carbon Film.	3198 011 01010	3541	Res, 470 ohm, 5%, 1/10W, Metalized Gl	
3221	Res, 560 ohm, 5%, 1/6W, Carbon Film.	3198 011 05610		ass.	3198 021 54710
3222	Res, 100 ohm, 5%, 1/6W, Carbon Film.	3198 011 01010	3542	Res, 1K5, 5%, 1/10W, Metalized Glass	3198 021 51520

S = Safety Part Be sure to use exact replacement part.

CH0127C321 (continued)

3543	Res, 82K, 1%, 3/5W, Metal Film . . .	2312 915 18203	4617	Res, Zero ohm, "Chip" Jumper	3198 021 90020
3544	Res, 4K7, 1%, 1/8W, Metalized Glass.	2322 734 64702	4619	Res, Zero ohm, "Chip" Jumper	3198 021 90020
3545	Res, 270K, 5%, 1/8W, Metalized Glass	2322 730 61274	4622	Res, Zero ohm, "Chip" Jumper	3198 021 90020
3548	Res, 15K, 5%, 1/10W, Metalized Glass	3198 021 51530	4623	Res, Zero ohm, "Chip" Jumper	3198 021 90020
3558	Res, 330 ohm, 5%, 1W, Metal Film . .	3198 012 13310	4691	Res, Zero ohm, "Chip" Jumper	3198 021 90030
3561	Res, 100 ohm, 5%, 1/6W, Carbon Film.	3198 011 01010	4692	Res, Zero ohm, "Chip" Jumper	3198 021 90030
3562	Res, 12K, 5%, 1/10W, Metalized Glass	3198 021 51230	4693	Res, Zero ohm, "Chip" Jumper	3198 021 90030
3563	Res, 5K6, 5%, 1/10W, Metalized Glass	3198 021 55620	4696	Res, Zero ohm, "Chip" Jumper	3198 021 90030
3564	Res, 0R1, 5%, 1 1/3W, Metal Film . .	3198 012 21070	4811	Res, Zero ohm, "Chip" Jumper	3198 021 90030
3567	Res, 3K3, 5%, 1/16W, Metalized Glass	3198 021 33320	4861	Res, Zero ohm, "Chip" Jumper	3198 021 90030
3580	Res, 47K, 5%, 1/10W, Metalized Glass	3198 021 54730	4863	Res, Zero ohm, "Chip" Jumper	3198 021 90030
3594	Res, 330 ohm, 5%, 1/10W, Metalized Gl		4901	Res, Zero ohm, "Chip" Jumper	3198 021 90030
	ass.	3198 021 53310	4903	Res, Zero ohm, "Chip" Jumper	3198 021 90030
3595	Res, 220K, 5%, 1/10W, Metalized Glass	3198 021 52240	4982	Res, Zero ohm, "Chip" Jumper	3198 021 90020
3596	Res, 220K, 5%, 1/10W, Metalized Glass	3198 021 52240	5001	Coil, 27u.	3198 018 22790
3603	Res, 100 ohm, 5%, 1/6W, Carbon Film.	3198 011 01010	5002	Coil, 820n	3198 018 18270
3604	Res, 100 ohm, 5%, 1/6W, Carbon Film.	3198 011 01010	5201	Coil, 6u8.	3198 018 16880
3605	Res, 4K7, 5%, 1/16W, Metalized Glass	3198 021 34720	5202	Wire Jumper, 0.58MM.	3198 036 90010
3606	Res, 2K2, 5%, 1/6W, Carbon Film. . .	3198 011 02220	5204	Fixed, Inductor, 100MHZ, 80 ohm. . . .	3198 018 90020
3607	Res, 2K2, 5%, 1/6W, Carbon Film. . .	3198 011 02220	5205	Fixed, Inductor, 100MHZ, 80 ohm. . . .	3198 018 90020
3608	Res, 100 ohm, 5%, 1/6W, Carbon Film.	3198 011 01010	5206	Fixed, Inductor, 100MHZ, 80 ohm. . . .	3198 018 90020
3609	Res, 1K, 5%, 1/6W, Carbon Film . . .	3198 011 01020	5241	Wire Jumper, 0.58MM.	3198 036 90010
3610	Res, 8K2, 5%, 1/6W, Carbon Film. . .	3198 011 08220	5242	Coil, 10u.	3198 018 11090
3611	Res, 100 ohm, 5%, 1/16W, Metalized Gl		S 5445	Transformer, SLOT, 1342.0043B Y. . . .	2422 531 02506
	ass.	3198 021 31010	5451	Coil, 33u.	3198 018 73390
3618	Res, 6K8, 5%, 1/6W, Carbon Film. . .	3198 011 06820	5452	Fixed, Inductor, 100MHZ, 80 ohm. . . .	3198 018 90020
3622	Res, 100 ohm, 5%, 1/10W, Metalized Gl		5457	Coil, 42u.	2422 535 94865
	ass.	3198 021 51010	5461	Transformer, Signal Driver, SC10015-0	
3623	Res, 4K7, 5%, 1/16W, Metalized Glass	3198 021 34720		0 B.	2422 531 02465
3624	Res, 100 ohm, 5%, 1/6W, Carbon Film.	3198 011 01010	5471	Coil, 3u3.	3198 018 73380
3625	Res, 100 ohm, 5%, 1/6W, Carbon Film.	3198 011 01010	5472	Coil, 3u3.	3198 018 23380
3626	Res, 4K7, 5%, 1/16W, Metalized Glass	3198 021 34720	5480	Coil, 39u.	2422 535 97336
3627	Res, 4K7, 5%, 1/16W, Metalized Glass	3198 021 34720	S 5501	Filter, Mains, 5mH, 2A	2422 549 43432
3628	Res, 10K, 5%, 1/16W, Metalized Glass	3198 021 31030	S 5520	Transformer, Layer, SS39009-04 B	2422 531 02459
3630	Res, 2K2, 5%, 1/16W, Metalized Glass	3198 021 32220	5521	Fixed, Inductor, 100MHZ, 50R.	3198 018 90010
3632	Res, Zero ohm, "Chip" Jumper	3198 021 90030	5560	Fixed, Inductor, 100MHZ, 50R.	3198 018 90010
3636	Res, 100 ohm, 5%, 1/10W, Metalized Gl		5561	Coil, 27u.	3198 018 22790
	ass.	3198 021 51010	5562	Fixed, Inductor, 100MHZ, 80 ohm. . . .	3198 018 90020
3639	Res, Zero ohm, "Chip" Jumper	3198 021 90030	5564	Fixed, Inductor, 100MHZ, 50R.	3198 018 90010
3681	Res, 390 ohm, 5%, 1/16W, Metalized Gl		5602	Coil, 5u6.	3198 018 15680
	ass.	3198 021 33910	5603	Coil, 5u6.	3198 018 15680
3682	Res, 3K3, 5%, 1/16W, Metalized Glass	3198 021 33320	5604	Coil, 5u6.	3198 018 15680
3683	Res, 390 ohm, 5%, 1/16W, Metalized Gl		5861	Coil, 10u.	3198 018 11090
	ass.	3198 021 33910	6001	Zener Diode, 33 volt	3198 010 23390
3684	Res, 560 ohm, 5%, 1/16W, Metalized Gl		6201	Diode, Signal, BAS316.	3198 010 10630
	ass.	3198 021 35610	6202	Diode, Signal, BAS316.	3198 010 10630
3685	Res, 560 ohm, 5%, 1/16W, Metalized Gl		6206	Zener Diode, 6.8 volt.	3198 020 56880
	ass.	3198 021 35610	6445	Zener Diode, 10 volt	3198 020 51090
3686	Res, 1K5, 5%, 1/16W, Metalized Glass	3198 021 31520	6447	Diode, Signal, 1N4148.	3198 010 10010
3691	Res, 330 ohm, 5%, 1/16W, Metalized Gl		6448	Zener Diode, 6.2 volt.	9331 668 30133
	ass.	3198 021 33310	6449	Diode, Signal, BAV99	3198 010 10620
3693	Res, 220 ohm, 5%, 1/16W, Metalized Gl		6453	Zener Diode, 6.8 volt.	3198 020 56880
	ass.	3198 021 32210	6460	Diode, Rect, BY228/24	9340 559 50112
3801	Res, 220 ohm, 5%, 1/6W, Carbon Film.	3198 011 02210	6461	Diode, Rect, RGP30J-L7004	9338 617 60682
3802	Res, 1K, 5%, 1/6W, Carbon Film . . .	3198 011 01020	6462	Zener Diode, 9.1 volt.	9331 177 80133
3861	Res, 100K, 5%, 1/16W, Metalized Glass	3198 021 31040	6465	Diode, Signal, BAV21	3198 010 10070
3862	Res, 15K, 5%, 1/16W, Metalized Glass	3198 021 31530	6466	Diode, Signal, BAV21	3198 010 10070
3863	Res, 1K2, 5%, 1/16W, Metalized Glass	3198 021 31220	6467	Diode, Signal, BAS316.	3198 010 10630
3864	Res, 100 ohm, 5%, 1/16W, Metalized Gl		6468	Diode, Signal, BAS316.	3198 010 10630
	ass.	3198 021 31010	6469	Diode, Rect, BYD33J	9337 234 20133
3865	Res, 100 ohm, 5%, 1/6W, Carbon Film.	3198 011 01010	6470	Diode, Signal, BAV99	3198 010 10620
3866	Res, 100 ohm, 5%, 1/6W, Carbon Film.	3198 011 01010	6476	Zener Diode, 15 volt	3198 010 21590
3867	Res, 3K3, 5%, 1/16W, Metalized Glass	3198 021 33320	6481	Zener Diode, 5.6 volt.	3198 010 25680
3891	Res, 100 ohm, 5%, 1/16W, Metalized Gl		6482	Zener Diode, 9.1 volt.	9331 177 80133
	ass.	3198 021 31010	6483	Zener Diode, 33 volt	3198 010 23390
3893	Res, 270 ohm, 5%, 1/16W, Metalized Gl		6485	Diode, Rect, BYD33J	9337 234 20133
	ass.	3198 021 32710	6486	Diode, Rect, EGP20DL-5100	9322 164 42682
3894	Res, 100 ohm, 5%, 1/16W, Metalized Gl		6487	Diode, Rect, BYD33D	9337 234 00133
	ass.	3198 021 31010	6488	Diode, Rect, EGP20DL-5100	9322 164 42682
3896	Res, 270 ohm, 5%, 1/16W, Metalized Gl		6500	Diode, Bridge Rect, GBU4JL-7002	9322 132 55667
	ass.	3198 021 32710	6520	Diode, Rect, BYD33D	9337 234 00133
3901	Res, 1K, 5%, 1/16W, Metalized Glass.	3198 021 31020	6523	Diode, Signal, 1N4148.	3198 010 10010
3902	Res, 3K3, 5%, 1/16W, Metalized Glass	3198 021 33320	6524	Diode, Rect, 1N5062	3198 010 10120
3903	Res, 3K3, 5%, 1/16W, Metalized Glass	3198 021 33320	6525	Diode, Rect, 1N5062	3198 010 10120
3904	Res, 10K, 5%, 1/16W, Metalized Glass	3198 021 31030	6526	Zener Diode, 22 volt	3198 020 52290
3905	Res, 3K3, 5%, 1/16W, Metalized Glass	3198 021 33320	6540	Zener Diode, 6.2 volt.	9331 668 30133
3906	Res, 10K, 5%, 1/16W, Metalized Glass	3198 021 31030	6541	Zener Diode, 10 volt	3198 020 51090
3907	Res, 8K2, 5%, 1/16W, Metalized Glass	3198 021 38220	6560	Diode, Rect, BYV29X-500	9340 555 59127
4001	Res, Zero ohm, "Chip" Jumper	3198 021 90030	6561	Diode, Rect, SB340L-7010.	9322 128 18682
4002	Res, Zero ohm, "Chip" Jumper	3198 021 90030	6563	Diode, Signal, BAS316.	3198 010 10630
4181	Res, Zero ohm, "Chip" Jumper	3198 021 90030	6565	Diode, Signal, BAV70	9331 849 10215
4214	Res, Zero ohm, "Chip" Jumper	3198 021 90030	6580	Diode, Signal, BAS316.	3198 010 10630
4216	Res, Zero ohm, "Chip" Jumper	3198 021 90030	6681	Diode, Signal, BAT85	9336 247 60133
4217	Res, Zero ohm, "Chip" Jumper	3198 021 90030	6691	LED, LTL-10224WHCR.	9322 050 99682
4401	Res, Zero ohm, "Chip" Jumper	3198 021 90020	6692	IR Receiver, TSOP1836UH3V	9322 127 54667
4402	Res, Zero ohm, "Chip" Jumper	3198 021 90020	6901	Res, Zero ohm, "Chip" Jumper	3198 021 90020
4430	Res, Zero ohm, "Chip" Jumper	3198 021 90020	6903	Diode, Rect, 1N5062	3198 010 10120
4500	Res, Zero ohm, "Chip" Jumper	3198 021 90020	7200	IC, TDA9588H/N1/3.	9352 683 54557
4604	Res, 3K3, 5%, 1/10W, Metalized Glass	3198 021 53320	7201	Transistor, NPN, BC847B.	3198 010 42030
4613	Res, Zero ohm, "Chip" Jumper	3198 021 90020	7204	Transistor, PNP, BC857B.	3198 010 42150
4614	Res, Zero ohm, "Chip" Jumper	3198 021 90020	7205	Transistor, PNP, BC857B.	3198 010 42150
4615	Res, Zero ohm, "Chip" Jumper	3198 021 90030	7441	Transistor, PNP, BC857B.	3198 010 42150

S = Safety Part Be sure to use exact replacement part.

CH0127C321 (continued)

7443	Transistor, PNP, BC557B.	3198 020 40110	9624	Wire Jumper, 0.58MM.	3198 036 90010
7450	Transistor, PNP, PDTA114ET.	3198 010 44010	9625	Wire Jumper, 0.58MM.	3198 036 90010
7460	Transistor, NPN, BU4508DX.	9340 550 92127	9626	Wire Jumper, 0.58MM.	3198 036 90010
7461	Transistor, NPN, BC337-25.	3198 020 43530	9627	Wire Jumper, 0.58MM.	3198 036 90010
7462	Transistor, NPN, PDTCT143ZT.	9340 547 00215	9628	Wire Jumper, 0.58MM.	3198 036 90010
7463	Transistor, PNP, BC327-25.	3198 020 43430	9629	Wire Jumper, 0.58MM.	3198 036 90010
7471	IC, TDA8359J/N2.	9352 701 64112	9630	Wire Jumper, 0.58MM.	3198 036 90010
7480	Transistor, NPN, BD135.	3198 020 41010	9631	Wire Jumper, 0.58MM.	3198 036 90010
7482	Transistor, NPN, BD135.	3198 020 41010	9632	Wire Jumper, 0.58MM.	3198 036 90010
S 7515	Optic, Coupler, TCET1104(G).	9322 175 72667	9633	Wire Jumper, 0.58MM.	3198 036 90010
7520	IC, TEA1507P/N1.	9352 673 56112	9634	Wire Jumper, 0.58MM.	3198 036 90010
7521	FET Power, STP8NC50FP.	9322 160 72687	9637	Wire Jumper, 0.58MM.	3198 036 90010
7522	Transistor, NPN, BC847B.	3198 010 42030	9638	Wire Jumper, 0.58MM.	3198 036 90010
7540	Transistor, NPN, BC547B.	3198 020 40030	9639	Wire Jumper, 0.58MM.	3198 036 90010
7560	IC, L78L33ACZ.	9322 134 92676	9640	Wire Jumper, 0.58MM.	3198 036 90010
7561	Transistor, NPN, PDTCT143ZT.	9340 547 00215	9641	Wire Jumper, 0.58MM.	3198 036 90010
7580	Transistor, PNP, BC857B.	3198 010 42150	9642	Wire Jumper, 0.58MM.	3198 036 90010
7602	IC, M24C16-WB6.	9322 147 25682	9643	Wire Jumper, 0.58MM.	3198 036 90010
7801	IC, HEF4052BT.	9333 729 50653	9644	Wire Jumper, 0.58MM.	3198 036 90010
7802	IC, HEF4053BT.	9333 729 60653	9645	Wire Jumper, 0.58MM.	3198 036 90010
7861	IC, TDA9853H/V1.	9352 671 19557	9646	Wire Jumper, 0.58MM.	3198 036 90010
7891	Transistor, NPN, BC847B.	3198 010 42030	9648	Wire Jumper, 0.58MM.	3198 036 90010
7892	Transistor, NPN, BC847B.	3198 010 42030	9650	Wire Jumper, 0.58MM.	3198 036 90010
7901	IC, AN7522N.	9322 181 41682	9654	Wire Jumper, 0.58MM.	3198 036 90010
9001	Wire Jumper, 0.58MM.	3198 036 90010	9655	Wire Jumper, 0.58MM.	3198 036 90010
9111	Wire Jumper, 0.58MM.	3198 036 90010	9656	Wire Jumper, 0.58MM.	3198 036 90010
9112	Wire Jumper, 0.58MM.	3198 036 90010	9657	Wire Jumper, 0.58MM.	3198 036 90010
9113	Wire Jumper, 0.58MM.	3198 036 90010	9658	Wire Jumper, 0.58MM.	3198 036 90010
9171	Wire Jumper, 0.58MM.	3198 036 90010	9659	Wire Jumper, 0.58MM.	3198 036 90010
9172	Wire Jumper, 0.58MM.	3198 036 90010	9660	Wire Jumper, 0.58MM.	3198 036 90010
9173	Wire Jumper, 0.58MM.	3198 036 90010	9661	Wire Jumper, 0.58MM.	3198 036 90010
9175	Wire Jumper, 0.58MM.	3198 036 90010	9662	Wire Jumper, 0.58MM.	3198 036 90010
9176	Wire Jumper, 0.58MM.	3198 036 90010	9663	Wire Jumper, 0.58MM.	3198 036 90010
9178	Wire Jumper, 0.58MM.	3198 036 90010	9664	Wire Jumper, 0.58MM.	3198 036 90010
9179	Wire Jumper, 0.58MM.	3198 036 90010	9665	Wire Jumper, 0.58MM.	3198 036 90010
9181	Wire Jumper, 0.58MM.	3198 036 90010	9666	Wire Jumper, 0.58MM.	3198 036 90010
9182	Wire Jumper, 0.58MM.	3198 036 90010	9668	Wire Jumper, 0.58MM.	3198 036 90010
9183	Wire Jumper, 0.58MM.	3198 036 90010	9669	Wire Jumper, 0.58MM.	3198 036 90010
9192	Wire Jumper, 0.58MM.	3198 036 90010	9670	Wire Jumper, 0.58MM.	3198 036 90010
9193	Wire Jumper, 0.58MM.	3198 036 90010	9672	Coil, 27u.	2422 535 95366
9406	Wire Jumper, 0.58MM.	3198 036 90010	9674	Wire Jumper, 0.58MM.	3198 036 90010
9407	Wire Jumper, 0.58MM.	3198 036 90010	9675	Wire Jumper, 0.58MM.	3198 036 90010
9408	Wire Jumper, 0.58MM.	3198 036 90010	9676	Wire Jumper, 0.58MM.	3198 036 90010
9409	Wire Jumper, 0.58MM.	3198 036 90010	9678	Coil, 27u.	2422 535 95366
9410	Wire Jumper, 0.58MM.	3198 036 90010	9679	Wire Jumper, 0.58MM.	3198 036 90010
9411	Wire Jumper, 0.58MM.	3198 036 90010	9680	Wire Jumper, 0.58MM.	3198 036 90010
9412	Wire Jumper, 0.58MM.	3198 036 90010	9683	Wire Jumper, 0.58MM.	3198 036 90010
9413	Wire Jumper, 0.58MM.	3198 036 90010	9685	Wire Jumper, 0.58MM.	3198 036 90010
9415	Wire Jumper, 0.58MM.	3198 036 90010	9686	Wire Jumper, 0.58MM.	3198 036 90010
9416	Wire Jumper, 0.58MM.	3198 036 90010	9687	Wire Jumper, 0.58MM.	3198 036 90010
9417	Wire Jumper, 0.58MM.	3198 036 90010	9688	Wire Jumper, 0.58MM.	3198 036 90010
9418	Wire Jumper, 0.58MM.	3198 036 90010	9689	Wire Jumper, 0.58MM.	3198 036 90010
9419	Wire Jumper, 0.58MM.	3198 036 90010	9690	Wire Jumper, 0.58MM.	3198 036 90010
9421	Wire Jumper, 0.58MM.	3198 036 90010	9691	Wire Jumper, 0.58MM.	3198 036 90010
9422	Wire Jumper, 0.58MM.	3198 036 90010	9694	Wire Jumper, 0.58MM.	3198 036 90010
9423	Wire Jumper, 0.58MM.	3198 036 90010	9695	Wire Jumper, 0.58MM.	3198 036 90010
9425	Wire Jumper, 0.58MM.	3198 036 90010	9697	Wire Jumper, 0.58MM.	3198 036 90010
9427	Wire Jumper, 0.58MM.	3198 036 90010	9698	Wire Jumper, 0.58MM.	3198 036 90010
9453	Wire Jumper, 0.58MM.	3198 036 90010	9699	Wire Jumper, 0.58MM.	3198 036 90010
9460	Wire Jumper, 0.58MM.	3198 036 90010	9821	Wire Jumper, 0.58MM.	3198 036 90010
9500	Wire Jumper, 0.58MM.	3198 036 90010	9822	Wire Jumper, 0.58MM.	3198 036 90010
9501	Wire Jumper, 0.58MM.	3198 036 90010	9823	Wire Jumper, 0.58MM.	3198 036 90010
9503	Wire Jumper, 0.58MM.	3198 036 90010	9824	Wire Jumper, 0.58MM.	3198 036 90010
9506	Wire Jumper, 0.58MM.	3198 036 90010	9825	Wire Jumper, 0.58MM.	3198 036 90010
9507	Wire Jumper, 0.58MM.	3198 036 90010	9827	Wire Jumper, 0.58MM.	3198 036 90010
9510	Wire Jumper, 0.58MM.	3198 036 90010	9828	Wire Jumper, 0.58MM.	3198 036 90010
9512	Wire Jumper, 0.58MM.	3198 036 90010	9829	Wire Jumper, 0.58MM.	3198 036 90010
9513	Wire Jumper, 0.58MM.	3198 036 90010	9830	Wire Jumper, 0.58MM.	3198 036 90010
9514	Wire Jumper, 0.58MM.	3198 036 90010	9831	Wire Jumper, 0.58MM.	3198 036 90010
9515	Wire Jumper, 0.58MM.	3198 036 90010	9832	Wire Jumper, 0.58MM.	3198 036 90010
9516	Wire Jumper, 0.58MM.	3198 036 90010	9833	Wire Jumper, 0.58MM.	3198 036 90010
9518	Wire Jumper, 0.58MM.	3198 036 90010	9834	Wire Jumper, 0.58MM.	3198 036 90010
9520	Wire Jumper, 0.58MM.	3198 036 90010	9835	Wire Jumper, 0.58MM.	3198 036 90010
9521	Wire Jumper, 0.58MM.	3198 036 90010	9836	Wire Jumper, 0.58MM.	3198 036 90010
9522	Wire Jumper, 0.58MM.	3198 036 90010	9837	Wire Jumper, 0.58MM.	3198 036 90010
9524	Wire Jumper, 0.58MM.	3198 036 90010	9838	Wire Jumper, 0.58MM.	3198 036 90010
9525	Wire Jumper, 0.58MM.	3198 036 90010	9839	Wire Jumper, 0.58MM.	3198 036 90010
9528	Wire Jumper, 0.58MM.	3198 036 90010	9840	Wire Jumper, 0.58MM.	3198 036 90010
9610	Wire Jumper, 0.58MM.	3198 036 90010	9841	Wire Jumper, 0.58MM.	3198 036 90010
9611	Coil, 27u.	3198 018 22790	9842	Wire Jumper, 0.58MM.	3198 036 90010
9612	Wire Jumper, 0.58MM.	3198 036 90010	9843	Wire Jumper, 0.58MM.	3198 036 90010
9613	Wire Jumper, 0.58MM.	3198 036 90010	9844	Wire Jumper, 0.58MM.	3198 036 90010
9614	Wire Jumper, 0.58MM.	3198 036 90010	9845	Wire Jumper, 0.58MM.	3198 036 90010
9615	Wire Jumper, 0.58MM.	3198 036 90010	9846	Wire Jumper, 0.58MM.	3198 036 90010
9616	Wire Jumper, 0.58MM.	3198 036 90010	9847	Wire Jumper, 0.58MM.	3198 036 90010
9617	Wire Jumper, 0.58MM.	3198 036 90010	9849	Wire Jumper, 0.58MM.	3198 036 90010
9618	Wire Jumper, 0.58MM.	3198 036 90010	9850	Wire Jumper, 0.58MM.	3198 036 90010
9619	Wire Jumper, 0.58MM.	3198 036 90010	9851	Wire Jumper, 0.58MM.	3198 036 90010
9620	Wire Jumper, 0.58MM.	3198 036 90010	9891	Wire Jumper, 0.58MM.	3198 036 90010
9621	Wire Jumper, 0.58MM.	3198 036 90010	9892	Wire Jumper, 0.58MM.	3198 036 90010
9622	Wire Jumper, 0.58MM.	3198 036 90010	9901	Wire Jumper, 0.58MM.	3198 036 90010
9623	Wire Jumper, 0.58MM.	3198 036 90010	9902	Wire Jumper, 0.58MM.	3198 036 90010

S = Safety Part. Be sure to use exact replacement part.

CH0127C321 (continued)

9904	Wire Jumper, 0.58MM.	3198 036 90010	3715	Res, 100 ohm, 5%, 1/10W, Glass . . .	3198 021 51010
9905	Wire Jumper, 0.58MM.	3198 036 90010	3716	Res, 10K, 5%, 1/10W, Metalized Glass	3198 021 51030
9911	Wire Jumper, 0.58MM.	3198 036 90010	3717	Res, 10K, 5%, 1/10W, Metalized Glass	3198 021 51030
9912	Wire Jumper, 0.58MM.	3198 036 90010	3718	Res, 10K, 5%, 1/10W, Metalized Glass	3198 021 51030
9913	Wire Jumper, 0.58MM.	3198 036 90010	3719	Res, 4K7, 5%, 1/10W, Metalized Glass	3198 021 54720
9914	Wire Jumper, 0.58MM.	3198 036 90010	3720	Res, 10K, 5%, 1/10W, Metalized Glass	3198 021 51030
9915	Wire Jumper, 0.58MM.	3198 036 90010	3721	Res, 4K7, 5%, 1/10W, Metalized Glass	3198 021 54720
9916	Wire Jumper, 0.58MM.	3198 036 90010	3722	Res, 10K, 5%, 1/10W, Metalized Glass	3198 021 51030
9918	Wire Jumper, 0.58MM.	3198 036 90010	3723	Res, 33K, 5%, 1/10W, Metalized Glass	3198 021 53330
9919	Wire Jumper, 0.58MM.	3198 036 90010	3724	Res, 33K, 5%, 1/10W, Metalized Glass	3198 021 53330
9920	Wire Jumper, 0.58MM.	3198 036 90010	3725	Res, 68K, 5%, 1/10W, Metalized Glass	3198 021 56830
9921	Wire Jumper, 0.58MM.	3198 036 90010	3726	Res, 10K, 5%, 1/10W, Metalized Glass	3198 021 51030
9991	Wire Jumper, 0.58MM.	3198 036 90010	3727	Res, 4K7, 5%, 1/10W, Metalized Glass	3198 021 54720
9993	Wire Jumper, 0.58MM.	3198 036 90010	3728	Res, 10K, 5%, 1/10W, Metalized Glass	3198 021 51030
9994	Wire Jumper, 0.58MM.	3198 036 90010	3729	Res, 10K, 5%, 1/10W, Metalized Glass	3198 021 51030
9996	Wire Jumper, 0.58MM.	3198 036 90010	3731	Res, 1K8, 5%, 1/10W, Metalized Glass	3198 021 51820
9997	Wire Jumper, 0.58MM.	3198 036 90010	3733	Res, 47K, 5%, 1/10W, Metalized Glass	3198 021 54730
9998	Wire Jumper, 0.58MM.	3198 036 90010	3734	Res, 47K, 5%, 1/10W, Metalized Glass	3198 021 54730
CBA	Main Chassis Assembly.	3139 177 28141	3735	Res, 75 ohm, 5%, 1/10W, Metalized Gla	3198 021 57590

CRT Panel Parts (Part of Main Chassis)

S 0244	Connector, 5 Pin	2422 025 04853	3740	Res, 220 ohm, 20%, 1/2W, Carbon Film	3198 013 02210
S 0245	Connector, 6 Pin	2422 025 04854	3741	Res, 1K, 5%, 1/10W, Metalized Glass.	3198 021 51020
S 0254	Socket, CRT, 9 Pin, N-Neck	2422 500 80076	3742	Res, 4K7, 5%, 1/10W, Metalized Glass	3198 021 54720
2330	Cap, 100n, 10%, 250v, Metalized Polyp		3743	Res, 100 ohm, 5%, 1/10W, Glass . . .	3198 021 51010
	ropylene	2222 368 90177	3744	Res, 100 ohm, 5%, 1/10W, Glass . . .	3198 021 51010
2340	Cap, 10u, 20%, 250v, Electrolytic.	2020 012 93495	4004	Res, Zero ohm, "Chip" Jumper	3198 021 90020
2341	Cap, 3n3, 10%, 500v, Ceramic	3198 019 43320	4005	Res, Zero ohm, "Chip" Jumper	3198 021 90020
2342	Cap, 560p, 5%, 50v, Ceramic.	3198 016 05610	4006	Res, Zero ohm, "Chip" Jumper	3198 021 90020
2343	Cap, 3n3, 10%, 2000v, Ceramic.	2020 558 90529	4008	Res, Zero ohm, "Chip" Jumper	3198 021 90020
2344	Cap, 100n, ?20%, 25v, Ceramic.	3198 023 21040	4009	Res, Zero ohm, "Chip" Jumper	3198 021 90020
2345	Cap, 1n, 10%, 500v, Ceramic.	3198 019 41020	4010	Res, Zero ohm, "Chip" Jumper	3198 021 90020
3331	Res, 100 ohm, 5%, 1/6W, Carbon Film.	3198 011 01010	6703	Zener Diode, 5.1 volt.	3198 010 25180
3332	Res, 1K, 20%, 1/2W, Carbon Film.	3198 013 01020	6704	Zener Diode, 8.2 volt.	3198 020 58280
3333	Res, 100 ohm, 5%, 1/6W, Carbon Film.	3198 011 01010	6706	Zener Diode, 8.2 volt.	3198 020 58280
3334	Res, 1K, 20%, 1/2W, Carbon Film.	3198 013 01020	7700	Transistor, NPN, BC847B.	3198 010 42030
3335	Res, 100 ohm, 5%, 1/6W, Carbon Film.	3198 011 01010	7701	Transistor, NPN, BC847B.	3198 010 42030
3336	Res, 1K, 20%, 1/2W, Carbon Film.	3198 013 01020	7704	Transistor, PNP, BC857B.	3198 010 42150
S 3340	Res, 10 ohm, 5%, 1/2W, Metal Film.	2306 207 03109	7705	Transistor, PNP, BC857B.	3198 010 42150
S 3341	Res, 1 ohm, 5%, 1/3W, Metal Film	2306 204 03108	7706	Transistor, NPN, BC847B.	3198 010 42030
S 3342	Res, 1 ohm, 5%, 1/3W, Metal Film	2306 204 03108	7707	Transistor, NPN, BC847B.	3198 010 42030
3343	Res, 1K5, 20%, 1/2W, Carbon Film	3198 013 01520	7708	Transistor, NPN, BC847B.	3198 010 42030
3344	Res, 22 ohm, 5%, 1/6W, Carbon Film	3198 011 02290	7715	Transistor, NPN, BC847B.	3198 010 42030
S 3345	VDR, DC, 1mA, 50V, MAX, 115V	2322 593 13507	7716	Transistor, NPN, BC847B.	3198 010 42030
3346	Res, 22 ohm, 5%, 1/6W, Carbon Film	3198 011 02290	9001	Wire Jumper, 0.58MM.	3198 036 90010
3347	Res, Zero ohm, "Chip" Jumper	3198 021 90020	9002	Wire Jumper, 0.58MM.	3198 036 90010
3350	Res, Zero ohm, "Chip" Jumper	3198 021 90020	9003	Wire Jumper, 0.58MM.	3198 036 90010
3353	Res, Zero ohm, "Chip" Jumper	3198 021 90020	9004	Wire Jumper, 0.58MM.	3198 036 90010
5342	Coil, 22u.	2422 535 97333	9005	Wire Jumper, 0.58MM.	3198 036 90010
6331	Diode, Signal, BAV21	3198 010 10070	9007	Wire Jumper, 0.58MM.	3198 036 90010
6332	Diode, Signal, BAS316.	3198 010 10630	9008	Wire Jumper, 0.58MM.	3198 036 90010
6333	Diode, Signal, BAV21	3198 010 10070	9009	Wire Jumper, 0.58MM.	3198 036 90010
6335	Diode, Signal, BAV21	3198 010 10070	9010	Wire Jumper, 0.58MM.	3198 036 90010
7330	IC, TDA6107Q/N2.	9352 576 50112	9021	Wire Jumper, 0.58MM.	3198 036 90010
9311	Wire Jumper, 0.58MM.	3198 036 90010			
9341	Wire Jumper, 0.58MM.	3198 036 90010			
9342	Wire Jumper, 0.58MM.	3198 036 90010			
9343	Wire Jumper, 0.58MM.	3198 036 90010			

Interface Panel Parts - 313912729681

CBA	Interface Panel Assembly	3139 127 29681
0149	Cable, 9 Pin, 280mm.	3135 121 00071
0162	Cable, 7 Pin, 220mm.	3135 121 00051
0163	Cable, 10 Pin, 280mm.	3135 121 00061
0164	Cable, 3 Pin, 400mm.	3135 121 00161
0167	Cable, 4 Pin, 180mm.	3135 121 00081
0168	Cable, 6 Pin, 280mm.	3135 121 00041
0173	Cable, 5 Pin, 400mm.	3135 121 00031
0217	Connector, 4 Pin	2422 025 16385
0227	Connector, 6 Pin	2422 025 15849
0228	Connector, 3 Pin	2422 025 16407
0240	Connector, 7 Pin	2422 025 11244
0242	Connector, 10 Pin.	2422 025 12484
0259	Connector, 5 Pin	2422 025 15848
1259	Connector, 9 Pin.	2422 025 11243
1800	Connector, 32 Pin.	3135 010 03531
2703	Cap, 100u, 20%, 10v, Electrolytic.	3198 025 11010
2705	Cap, 22p, 5%, 50v, Ceramic	3198 016 02290
2706	Cap, 4n7, 10%, 50v, Ceramic.	3198 017 04720
2707	Cap, 4n7, 10%, 50v, Ceramic.	3198 017 04720
2709	Cap, 100n, 10%, 16v, Ceramic	3198 017 01040
2710	Cap, 100n, 10%, 16v, Ceramic	3198 017 01040
2711	Cap, 100p, 5%, 50v, Ceramic.	3198 016 01010
2712	Cap, 100p, 5%, 50v, Ceramic.	3198 016 01010
2713	Cap, 100n, 10%, 16v, Ceramic	3198 017 01040
3703	Res, 75 ohm, 5%, 1/10W, Metalized Gla	
	ss.	3198 021 57590
3707	Res, 10K, 5%, 1/10W, Metalized Glass	3198 021 51030
3708	Res, 47K, 5%, 1/10W, Metalized Glass	3198 021 54730
3710	Res, 47K, 5%, 1/10W, Metalized Glass	3198 021 54730

Channel One Card for ITV Parts - 313512710131

CBA	Channel One Card for ITV Assembly.	3135 127 10131
0010	Transistor, NPN, BC547B.	3198 020 40030
0020	Cap, 100n, 10%, 50v, Polyester	3198 014 01040
0030	Cap, 100p, 5%, 50v, Ceramic	3198 019 01010
0040	Cap, 1n, 10%, 50v, Polyester	3198 014 01020
0050	Res, 3K3, 5%, 1/2W, Metal Film	2322 187 53332
0060	Cap, 1n, 10%, 50v, Polyester	3198 014 01020
0070	Cap, 1n, 10%, 50v, Polyester	3198 014 01020
0080	Cap, 100n, 10%, 50v, Polyester	3198 014 01040
0090	Transistor, NPN, BC547B.	3198 020 40030
0100	Transistor, NPN, BC547B.	3198 020 40030
0110	Transistor, NPN, BC547B.	3198 020 40030
0120	Transistor, NPN, BC547B.	3198 020 40030
0130	Transistor, NPN, BC547B.	3198 020 40030
0140	Cap, 4p7, 5%, 50v, Ceramic	2020 552 90585
0150	Transistor, NPN, BC547B.	3198 020 40030
0160	Cap, 10n, 10%, 50v, Polyester.	2020 300 90573
0170	Cap, 12p, 5%, 50v, Ceramic	2020 552 90591
0180	Cap, 47p, 5%, 50v, Ceramic	2020 552 90598
0190	Cap, 4u7, 20%, 50v, Electrolytic	2020 012 92651
0200	Cap, 10n, 10%, 50v, Polyester.	2020 300 90573
0210	Cap, 10n, 10%, 50v, Polyester.	2020 300 90573
0220	Cap, 10n, 10%, 50v, Polyester.	2020 300 90573
0230	Cap, 100n, 10%, 50v, Polyester	2020 300 90586
0240	Cap, 1p, 25%, 50v, Ceramic	2020 552 90576
0250	Cap, 100n, 10%, 50v, Polyester	2020 300 90586
0260	Cap, 100n, 10%, 50v, Polyester	2020 300 90586
0270	Cap, 100n, 10%, 50v, Polyester	2020 300 90586
0280	Cap, 100n, 10%, 50v, Polyester	2020 300 90586
0290	Cap, 100n, 10%, 50v, Polyester	2020 300 90586
0300	Cap, 100n, 10%, 50v, Polyester	2020 300 90586
0310	Cap, 100u, 20%, 25v, Electrolytic.	2020 012 92639
0320	Transistor, PNP, BC557B.	9332 026 20126

S = Safety Part Be sure to use exact replacement part.

CH0127C321 (continued)

0330	Wire Jumper, 0.58MM.	3198	036	90010
0340	Wire Jumper, 0.58MM.	3198	036	90010
0360	Res, 1K, 5%, 1/2W, Metal Film. . . .	2322	187	53102
0370	Res, 1K, 5%, 1/2W, Metal Film. . . .	2322	187	53102
0380	Res, 1K, 5%, 1/2W, Metal Film. . . .	2322	187	53102
0390	Res, 100 ohm, 5%, 1/2W, Metal Film .	2322	187	53101
0400	Res, 100 ohm, 5%, 1/2W, Metal Film .	2322	187	53101
0410	Res, 100 ohm, 5%, 1/2W, Metal Film .	2322	187	53101
0420	Res, 270K, 5%, 1/4W, Carbon Film . .	2120	101	74274
0430	Res, 24K, 5%, 1/4W, Carbon Film. . .	2120	101	74243
0440	Res, 100 ohm, 5%, 1/2W, Metal Film .	2322	187	53101
0450	Res, 10K, 5%, 1/2W, Metal Film . . .	2322	187	53103

MS2530C321 - Manual no. 7629

Cabinet & Accessory Parts

Cabinet & Accessory Parts

Main Chassis Assembly Parts

7200 IC, SM TDA9563H/N1/3/0485. 4835 310 57624

Cabinet & Accessory Parts

S AC01	Mainscord, 125V, 10A	3135	010	03831
AC03	Battery, Zinc, 1.5V (2-Pack)	9299	000	65263
AC04	Cabinet, Back.	3139	124	37161
AC09	Clip, Anode Lead	3135	014	04471
S AC10	CRT A63AFW36X05.	9301	885	40458
AC11	Customer Control Button.	3139	124	27471
AC12	Coil, Degaussing	2422	549	44489
AC13	Holder, Degaussing (4 Used).	3135	013	01641
AC16	DFU.	3121	235	20511
AC20	Cabinet, Front Assembly - Model MS2530C321.	3121	237	52242
AC20A	Cabinet, Front	3139	137	96421
AC20B	Chassis Guide.	3139	124	31381
AC20D	Light Guide.	3139	124	26461
AC20F	Power Button	3139	124	30891
AC20J	Speaker, 16R, 1W5 (2 Used)	2422	264	00343
AC22	Spring	3139	121	26231
AC23	Braid Assembly	3135	010	07301
REMOTE	Transmitter, Remote RC1112501/17	3139	228	87011

Main Chassis Assembly Parts

Main Chassis Assembly Parts

0118	U-Cooling Plate.	3139	121	26731
0122	Heatsink, Vertical	3139	121	62213
0124	Heatsink, SOPS	3139	121	62201
0127	Socket, Fuse	2422	088	00271
0129	NTC, Holder.	3139	120	10151
0137	Spring	3139	121	24581
0138	IC-Spring.	3104	301	22081
0139	Spring for Bracket	3122	121	24786
0141	IC-Spring.	3104	301	22081
0152	Cable, DIP, 6 Pin, 400mm	3104	301	09421
0153	Cable, DIPmate, 5 Pin, 480mm	3139	121	07951
0211	Connector, 2 Pin	2422	025	16269
S 0212	Connector, 2 Pin	2422	025	16375
S 0220	Connector, 5 Pin	2422	025	04853
S 0221	Connector, 4 Pin	2422	025	15503
S 0222	Connector, 2 Pin	2422	025	10646
0223	Socket, Cinch, 3 Pin	2422	026	05182
S 0243	Connector, 6 Pin	2422	025	04854
0267	Connector, 3 Pin	2412	020	00725
0280	Connector, 4 Pin	2422	025	12479
1000	Tuner, V+U PLL	2422	542	90098
1002	SAW Filter, 45MHz75, OFWM1971M	2422	549	44518
1200	Filter, Ceramic, 4MHz5	2422	549	40807
S 1500	Fuse, 4A, 250V, IEC.	2422	086	10869
S 1515	Relay, 12V, 5A G5PA-1.	2422	132	07444
1600	Switch, Tactile.	2422	128	02742
1601	Switch, Tactile.	2422	128	02742
1602	Switch, Tactile.	2422	128	02742
1603	Switch, Tactile.	2422	128	02742
1606	Switch, Tactile.	2422	128	02742
1660	Crystal, 12MHz000.	2422	543	01203
1861	Ceramic Resonator, 514KHz5, CSB503F58	2422	540	98344
2004	Cap, 47n, 10%, 25v, Ceramic.	3198	023	04730
2005	Cap, 10u, 20%, 50v, Electrolytic	3198	025	51090
2006	Cap, 470u, 20%, 16v, Electrolytic.	3198	025	24710
2007	Cap, 100n, +80/-20%, 25v, Ceramic.	3198	023	21040
2008	Cap, 100u, 20%, 25v, Electrolytic.	3198	025	31010
2009	Cap, 22n, 10%, 50v, Ceramic.	3198	017	02230
2121	Cap, 22p, 5%, 50v, Ceramic	3198	016	02290
2122	Cap, 330p, 10%, 50v, Ceramic	3198	017	03310
2123	Cap, 2u2, +80/-20%, 10v, Ceramic	3198	017	22250
2124	Cap, 330p, 10%, 50v, Ceramic	3198	017	03310
2125	Cap, 2u2, +80/-20%, 10v, Ceramic	3198	017	22250
2184	Res, Zero ohm, "Chip" Jumper	3198	021	90020
2201	Cap, 100n, +80/-20%, 25v, Ceramic.	3198	023	21040
2203	Cap, 100n, +80/-20%, 25v, Ceramic.	3198	023	21040
2204	Cap, 100n, +80/-20%, 25v, Ceramic.	3198	023	21040
2205	Cap, 220n, +80/-20%, 25v, Ceramic.	3198	023	22240
2208	Cap, 100n, +80/-20%, 25v, Ceramic.	3198	023	21040
2209	Cap, 4u7, 20%, 50v, Electrolytic	3198	025	54780
2210	Cap, 1u, +80/-20%, 16v, Ceramic.	3198	017	21050
2211	Cap, 470n, +80/-20%, 16v, Ceramic.	3198	017	24740
2216	Cap, 1000u, 20%, 16v, Electrolytic	3198	026	21020
2217	Cap, 22n, 10%, 50v, Ceramic.	3198	017	02230
2219	Cap, 220n, +80/-20%, 25v, Ceramic.	3198	023	22240
2226	Cap, 100p, 5%, 50v, Ceramic.	3198	016	01010
2227	Cap, 4n7, 10%, 50v, Ceramic.	3198	017	04720
2228	Cap, 820p, 5%, 50v, Ceramic.	3198	016	08210
2229	Cap, 10u, 20%, 50v, Electrolytic	3198	025	51090
2241	Cap, 1n5, 10%, 50v, Ceramic.	3198	017	01520
2242	Cap, 1u, +80/-20%, 16v, Ceramic.	3198	017	21050
2243	Cap, 2n2, 10%, 50v, Ceramic.	3198	017	02220
2244	Cap, 100n, 5%, 63v, Metalized Polyester	2222	370	76104

S = Safety Part Be sure to use exact replacement part.

2245	Cap, 220n, +80/-20%, 25v, Ceramic.	3198	023	22240
2247	Cap, 1000u, 20%, 16v, Electrolytic	3198	026	21020
2248	Cap, 22n, 10%, 50v, Ceramic.	3198	017	02230
2249	Cap, 22n, 10%, 50v, Ceramic.	3198	017	02230
2250	Cap, 2u2, 20%, 50v, Electrolytic	3198	025	52280
2252	Cap, 1n, 5%, 50v, Ceramic.	3198	016	01020
2253	Cap, 1n, 5%, 50v, Ceramic.	3198	016	01020
2254	Res, Zero ohm, "Chip" Jumper	3198	021	90020
2405	Cap, 220u, 20%, 25v, Electrolytic.	3198	025	32210
2441	Cap, 1u, 20%, 50v, Electrolytic.	3198	025	51080
2443	Cap, 47n, +80/-20%, 50v, Ceramic	3198	017	24730
2444	Cap, 1u, 20%, 50v, Electrolytic.	3198	025	51080
2450	Cap, 47u, 20%, 160v, Electrolytic.	2020	021	91139
2451	Cap, 15n, 10%, 50v, Polyester.	3198	014	01530
2452	Res, Zero ohm, "Chip" Jumper	3198	021	90020
2455	Cap, 47u, 20%, 25v, Electrolytic	3198	025	34790
2457	Cap, 470n, 5%, 250v, Polypropylene	2222	479	90023
2458	Cap, 2u2, 20%, 100v, Electrolytic.	2020	021	91331
2459	Cap, 680p, 10%, 500v, Ceramic.	3198	019	46810
2460	Cap, 100p, 5%, 50v, Ceramic.	3198	016	01010
2462	Cap, 330n, 10%, 250v, Polypropylene	2022	333	00084
2463	Cap, 470p, 10%, 2000v, Ceramic	2020	558	90483
2465	Cap, 11n, 5%, 1600v, Polypropylene	2222	375	90155
2471	Cap, 100n, 10%, 50v, Polyester	3198	014	01040
2472	Cap, 150n, 10%, 63v, Polyester	2222	365	75154
2473	Cap, 100n, 10%, 63v, Polyester	2222	365	75104
2474	Cap, 2n2, 10%, 50v, Ceramic.	3198	017	02220
2475	Cap, 2n2, 10%, 50v, Ceramic.	3198	017	02220
2476	Cap, 4n7, 10%, 50v, Ceramic.	3198	017	04720
2480	Cap, 47u, 20%, 25v, Electrolytic	2020	021	90586
2481	Cap, 470p, 10%, 500v, Ceramic.	3198	019	44710
2482	Cap, 68n, 10%, 250v, Polyester	2222	347	90234
2485	Cap, 4u7, 20%, 250v, Electrolytic.	2020	021	90856
2486	Cap, 470u, 20%, 16v, Electrolytic.	2020	021	91577
2487	Cap, 47u, 20%, 50v, Electrolytic	2020	021	90854
2488	Cap, 1000u, 20%, 16v, Electrolytic	2020	021	91049
2489	Cap, 470u, 20%, 16v, Electrolytic.	2020	021	91577
2491	Cap, 1n, 10%, 500v, Ceramic.	3198	019	41020
2500	Cap, 470n, 20%, 275v, Polypropylene.	2222	336	29148
2501	Cap, 2n2, 10%, 1000v, Ceramic.	3198	019	52220
2502	Cap, 2n2, 10%, 1000v, Ceramic.	3198	019	52220
2503	Cap, 470u, 20%, 200v, Electrolytic	2020	024	90626
2505	Cap, 2n2, 10%, 1000v, Ceramic.	3198	019	52220
2507	Cap, 470p, 10%, 50v, Ceramic	3198	017	04710
2508	Cap, 470p, 10%, 1000v, Ceramic	3198	019	64710
S 2515	Cap, 1n5, 20%, v, Ceramic.	2020	554	90128
2520	Cap, 100n, 10%, 16v, Ceramic	3198	017	01040
2521	Cap, 22u, 20%, 50v, Electrolytic	3198	025	52290
2522	Cap, 100n, 10%, 16v, Ceramic	3198	017	01040
2523	Cap, 1n5, 10%, 2000v, Ceramic.	2020	558	90489
2525	Cap, 470p, 10%, 50v, Ceramic	3198	017	04710
2527	Cap, 2n2, 10%, 50v, Ceramic.	3198	017	02220
2528	Cap, 1n, 10%, 50v, Ceramic	3198	017	01020
2540	Cap, 10n, 10%, 50v, Ceramic.	3198	017	01030
2541	Cap, 10n, 10%, 50v, Ceramic.	3198	017	01030
2560	Cap, 680p, 10%, 1000v, Ceramic	3198	019	66810
2561	Cap, 100u, 20%, 160v, Electrolytic	2020	021	91654
2562	Cap, 1n, 10%, 50v, Ceramic	3198	019	11020
2563	Cap, 100n, 10%, 50v, Polyester	3198	014	01040
2564	Cap, 2u2, 20%, 25v, Electrolytic	2020	021	91353
2567	Cap, 47u, 20%, 25v, Electrolytic	3198	025	34790
2568	Cap, 1u, 20%, 50v, Electrolytic.	3198	025	51080
2580	Cap, 47u, 20%, 16v, Electrolytic	3198	028	24790
2581	Cap, 22u, 20%, 50v, Electrolytic	3198	025	52290
2601	Cap, 220n, +80/-20%, 25v, Ceramic.	3198	023	22240
2602	Cap, 100p, 5%, 50v, Ceramic.	3198	016	01010
2606	Cap, 470n, +80/-20%, 16v, Ceramic.	3198	017	24740
2607	Cap, 33p, 5%, 50v, Ceramic	3198	016	03390
2608	Cap, 1u, +80/-20%, 16v, Ceramic.	3198	017	21050
2609	Cap, 33p, 5%, 50v, Ceramic	3198	016	03390
2611	Cap, 1u, +80/-20%, 16v, Ceramic.	3198	017	21050
2612	Cap, 68p, 5%, 50v, Ceramic	3198	016	06890
2613	Cap, 68p, 5%, 50v, Ceramic	3198	016	06890
2615	Cap, 1n, 10%, 50v, Ceramic	3198	017	01020
2618	Cap, 1u, +80/-20%, 16v, Ceramic.	3198	017	21050
2619	Cap, 1u, +80/-20%, 16v, Ceramic.	3198	017	21050
2691	Cap, 220u, 20%, 25v, Electrolytic.	3198	025	32210
2805	Cap, 2u2, +80/-20%, 10v, Ceramic	3198	017	22250
2806	Cap, 2u2, +80/-20%, 10v, Ceramic	3198	017	22250
2861	Cap, 220n, +80/-20%, 25v, Ceramic.	3198	023	22240
2862	Cap, 2u2, +80/-20%, 10v, Ceramic	3198	017	22250
2864	Cap, 2u2, 20%, 50v, Electrolytic	3198	025	52280
2865	Cap, 2u2, 20%, 50v, Electrolytic	3198	025	52280
2866	Cap, 2u2, +80/-20%, 10v, Ceramic	3198	017	22250
2867	Cap, 3n3, 10%, 50v, Ceramic.	3198	017	03320
2868	Cap, 150p, 5%, 50v, Ceramic.	3198	016	01510
2869	Cap, 47n, 10%, 50v, Polyester.	3198	014	04730
2870	Cap, 47n, 10%, 50v, Polyester.	3198	014	04730
2871	Cap, 150p, 5%, 50v, Ceramic.	3198	016	01510
2872	Cap, 3n3, 10%, 50v, Ceramic.	3198	017	03320
2873	Cap, 2u2, +80/-20%, 10v, Ceramic	3198	017	22250
2874	Cap, 100u, 20%, 25v, Electrolytic	3198	025	31010

MS2530C321 (continued)

2875	Cap, 100u, 20%, 25v, Electrolytic . . .	3198 025 31010	3472	Res, 3R3, 1%, 3/5W, Metal Film . . .	2312 915 13308
2876	Cap, 4u7, 20%, 50v, Electrolytic . . .	3198 025 54780	3473	Res, 3R3, 1%, 3/5W, Metal Film . . .	2312 915 13308
2877	Cap, 10u, 20%, 50v, Electrolytic . . .	3198 025 51090	3474	Res, 2K2, 1%, 3/5W, Metal Film . . .	2312 915 12202
2878	Cap, 1u, 20%, 50v, Electrolytic . . .	3198 025 51080	3475	Res, 2K2, 1%, 3/5W, Metal Film . . .	2312 915 12202
2879	Cap, 4n7, 10%, 50v, Ceramic	3198 017 04720	3477	Res, 150 ohm, 5%, 1/6W, Carbon Film.	3198 011 01510
2880	Cap, 22n, 10%, 50v, Ceramic	3198 017 02230	3478	Res, 150 ohm, 5%, 1/6W, Carbon Film.	3198 011 01510
2883	Cap, 470u, 20%, 16v, Electrolytic . . .	3198 025 24710	3479	Res, 2K7, 5%, 1/10W, Metalized Glass	3198 021 52720
2884	Cap, 2u2, 20%, 50v, Electrolytic . . .	3198 025 52280	3480	Res, 1R5, 5%, 1/4W, Carbon Film. . .	2120 101 74158
2885	Cap, 220n, 10%, 50v, Polyester	3198 014 02240	3481	Res, 15K, 1%, 3/5W, Metal Film . . .	2312 915 11503
2886	Cap, 220n, +80/-20%, 25v, Ceramic . .	3198 023 22240	3482	Res, 12K, 1%, 3/5W, Metal Film . . .	2312 915 11203
2902	Cap, 220u, 20%, 50v, Electrolytic . . .	3198 026 52210	3484	Res, 3K9, 5%, 1/6W, Carbon Film. . .	3198 011 03920
2903	Cap, 1u, 20%, 50v, Electrolytic	3198 025 51080	3486	Res, 33 ohm, 5%, 2 1/2W, Metal Film.	3198 012 33390
2904	Cap, 470n, +80/-20%, 16v, Ceramic . .	3198 017 24740	3488	Res, 4R7, 5%, 1/2W, Metal Film . . .	2306 207 03478
2905	Cap, 1n, 10%, 50v, Ceramic	3198 017 01020	3490	Res, 8K2, 5%, 1/6W, Carbon Film. . .	3198 011 08220
2906	Cap, 470n, +80/-20%, 16v, Ceramic . .	3198 017 24740	3492	Res, 1K, 5%, 1/10W, Metalized Glass.	3198 021 51020
2907	Cap, 1n, 10%, 50v, Ceramic	3198 017 01020	3493	Res, 6R8, 5%, 1/3W, Metal Film . . .	2306 204 03688
2908	Cap, 10u, 20%, 50v, Electrolytic . . .	3198 025 51090	3494	Res, 4R7, 5%, 1/2W, Metal Film . . .	2306 207 03478
2910	Cap, 3n3, 10%, 50v, Ceramic	3198 017 03320	3495	Res, 22K, 5%, 1/10W, Metalized Glass	3198 021 52230
2911	Cap, 3n3, 10%, 50v, Ceramic	3198 017 03320	3496	Res, 100K, 5%, 1/10W, Metalized Glass	3198 021 51040
2950	Cap, 330p, 5%, 50v, Ceramic	3198 016 03310	3497	Res, 100K, 5%, 1/10W, Metalized Glass	3198 021 51040
3000	Res, 100 ohm, 5%, 1/6W, Carbon Film.	3198 011 01010	3498	Res, 12K, 5%, 1/10W, Metalized Glass	3198 021 51230
3001	Res, 100 ohm, 5%, 1/6W, Carbon Film.	3198 011 01010	3499	Res, 10K, 5%, 1/10W, Metalized Glass	3198 021 51030
3002	Res, Zero ohm, "Chip" Jumper	3198 021 90020	S 3500	Res, 3M3, 5%, 1/2W, Metalized Glass.	2322 242 13335
3003	Res, 1K5, 5%, 1/10W, Metalized Glass	3198 021 51520	S 3501	Res, 3M3, 5%, 1/2W, Metalized Glass.	2322 242 13335
3004	Res, 8K2, 5%, 1/10W, Metalized Glass	3198 021 58220	S 3504	PTC, DC, 120V,P3020 B.	2120 661 00025
3005	Res, 100 ohm, 5%, 1/6W, Carbon Film.	3198 011 01010	S 3506	Res, 1M5, 5%, 1/2W, Metalized Glass.	2322 242 13155
3122	Wire Jumper, 0.58MM.	3198 036 90010	S 3507	Surge Protector.	2422 549 43073
3123	Res, 150 ohm, 5%, 1/6W, Carbon Film.	3198 011 01510	S 3508	Res, 220 ohm, 20%, 1/2W, Carbon Film	3198 013 02210
3124	Res, 47K, 5%, 1/10W, Metalized Glass	3198 021 54730	S 3510	NTC, DC, B57237, 3W1, 4R7, 20% . . .	2122 612 00056
3125	Res, 150 ohm, 5%, 1/6W, Carbon Film.	3198 011 01510	3519	Res, 270 ohm, 5%, 1/6W, Carbon Film.	3198 011 02710
3126	Res, 47K, 5%, 1/10W, Metalized Glass	3198 021 54730	3520	Res, 1K2, 5%, 1/10W, Metalized Glass	3198 021 51220
3200	Res, 390 ohm, 5%, 1/6W, Carbon Film.	3198 011 03910	3521	Res, 4R7, 5%, 1/6W, Carbon Film. . .	3198 011 04780
3201	Res, 100 ohm, 5%, 1/6W, Carbon Film.	3198 011 01010	3522	Res, 330K, 1%, 1/8W, Metalized Glass	2322 734 63304
3202	Res, 100 ohm, 5%, 1/6W, Carbon Film.	3198 011 01010	S 3523	Res, 100 ohm, 5%, 1/3W, Metal Film . .	2306 204 03101
3203	Res, 100 ohm, 5%, 1/6W, Carbon Film.	3198 011 01010	3524	Res, 56K, 5%, 1/10W, Metalized Glass	3198 021 55630
3204	Res, 22K, 5%, 1/6W, Carbon Film. . .	3198 011 02230	3525	Res, 1K, 5%, 1/10W, Metalized Glass.	3198 021 51020
3206	Res, 33K, 5%, 1/10W, Metalized Glass	3198 021 53330	3526	Res, 0R1, 5%, 3/5W, Metal Film . . .	3198 012 11070
3207	Res, 1K, 5%, 1/6W, Carbon Film . . .	3198 011 01020	3527	Res, 0R33, 5%, 3/5W, Metal Film. . .	3198 012 13370
3208	Res, 220 ohm, 5%, 1/10W, Metalized Gl	3198 021 52210	3528	Res, Zero ohm, "Chip" Jumper	3198 021 90020
3209	Res, 68 ohm, 5%, 1/10W, Metalized Gla	3198 021 56890	3529	Res, 47K, 5%, 1/10W, Metalized Glass	3198 021 54730
3212	Res, 470 ohm, 5%, 1/10W, Metalized Gl	3198 021 54710	3530	Res, 10K, 5%, 1/10W, Metalized Glass	3198 021 51030
3213	Res, 560 ohm, 5%, 1/6W, Carbon Film.	3198 011 05610	3531	Res, 4K7, 5%, 1/10W, Metalized Glass	3198 021 54720
3217	Res, 330K, 5%, 1/10W, Metalized Glass	3198 021 53340	S 3532	Res, 2K2, 5%, 1/3W, Metal Film . . .	2306 204 03222
3218	Res, 82K, 5%, 1/10W, Metalized Glass	3198 021 58230	3541	Res, 470 ohm, 5%, 1/10W, Metalized Gl	3198 021 54710
3219	Res, 2K2, 5%, 1/10W, Metalized Glass	3198 021 52220	3542	Res, 1K5, 5%, 1/10W, Metalized Glass	3198 021 51520
3226	Res, 560 ohm, 5%, 1/10W, Metalized Gl	3198 021 55610	3543	Res, 82K, 1%, 3/5W, Metal Film . . .	2312 915 18203
3232	Res, 2K2, 5%, 1/10W, Metalized Glass	3198 021 52220	3544	Res, 4K7, 1%, 1/8W, Metalized Glass.	2322 734 64702
3235	Res, 100 ohm, 5%, 1/6W, Carbon Film.	3198 011 01010	3545	Res, 270K, 5%, 1/8W, Metalized Glass	2322 730 61274
3241	Res, 22K, 5%, 1/10W, Metalized Glass	3198 021 52230	3548	Res, 15K, 5%, 1/10W, Metalized Glass	3198 021 51530
3242	Res, 12K, 5%, 1/10W, Metalized Glass	3198 021 51230	3552	Res, 4K7, 5%, 1/10W, Metalized Glass	3198 021 54720
3244	Res, 820 ohm, 5%, 1/6W, Carbon Film.	3198 011 08210	3557	Res, 1K, 5%, 1/10W, Metalized Glass.	3198 021 51020
3245	Res, 39K, 1%, 1/8W, Metalized Glass.	2322 734 63903	3561	Res, 100 ohm, 5%, 1/6W, Carbon Film.	3198 011 01010
3246	Res, 10K, 5%, 1/10W, Metalized Glass	3198 021 51030	3562	Res, 12K, 5%, 1/10W, Metalized Glass	3198 021 51230
3247	Res, 680K, 5%, 1/10W, Metalized Glass	3198 021 56840	3563	Res, 5K6, 5%, 1/10W, Metalized Glass	3198 021 55620
3248	Res, 33K, 5%, 1/10W, Metalized Glass	3198 021 53330	3564	Res, 0R1, 5%, 1 1/3W, Metal Film . . .	3198 012 21070
3249	Res, 820 ohm, 5%, 1/6W, Carbon Film.	3198 011 08210	3565	Res, 330 ohm, 5%, 1W, Metal Film . . .	3198 012 13310
3250	Res, 8K2, 5%, 1/6W, Carbon Film. . .	3198 011 08220	3566	Res, 2K2, 5%, 1/10W, Metalized Glass	3198 021 52220
3251	Res, 100 ohm, 5%, 1/6W, Carbon Film.	3198 011 01010	3567	Res, 3K3, 5%, 1/10W, Metalized Glass	3198 021 53320
3256	Res, 1K, 5%, 1/10W, Metalized Glass.	3198 021 51020	3569	Res, 5K6, 5%, 1/10W, Metalized Glass	3198 021 55620
3257	Res, 10M, 5%, 1/10W, Metalized Glass	3198 021 51060	3580	Res, 47K, 5%, 1/10W, Metalized Glass	3198 021 54730
3258	Res, 100K, 5%, 1/10W, Metalized Glass	3198 021 51040	3594	Res, 330 ohm, 5%, 1/10W, Metalized Gl	3198 021 53310
3259	Res, 470K, 5%, 1/10W, Metalized Glass	3198 021 54740	3595	Res, 220K, 5%, 1/10W, Metalized Glass	3198 021 52240
3441	Res, 100 ohm, 5%, 1/10W, Metalized Gl	3198 021 51010	3596	Res, 220K, 5%, 1/10W, Metalized Glass	3198 021 52240
3442	Res, Zero ohm, "Chip" Jumper	3198 021 90020	3603	Res, 100 ohm, 5%, 1/6W, Carbon Film.	3198 011 01010
3443	Res, 1M, 5%, 1/10W, Metalized Glass.	3198 021 51050	3604	Res, 100 ohm, 5%, 1/6W, Carbon Film.	3198 011 01010
3445	Res, 15K, 5%, 1/6W, Carbon Film. . .	3198 011 01530	3606	Res, 2K2, 5%, 1/6W, Carbon Film. . .	3198 011 02220
3446	Res, 5K6, 5%, 1/6W, Carbon Film. . .	3198 011 05620	3607	Res, 2K2, 5%, 1/6W, Carbon Film. . .	3198 011 02220
3447	Res, 180 ohm, 5%, 1/6W, Carbon Film.	3198 011 01810	3608	Res, 100 ohm, 5%, 1/6W, Carbon Film.	3198 011 01010
3448	Res, 820 ohm, 5%, 1/6W, Carbon Film.	3198 011 08210	3611	Res, 100 ohm, 5%, 1/10W, Metalized Gl	3198 021 51010
3449	Res, 68 ohm, 5%, 1/6W, Carbon Film .	3198 011 06890	3618	Res, 6K8, 5%, 1/6W, Carbon Film. . .	3198 011 06820
3450	Res, 33 ohm, 5%, 1/6W, Carbon Film . .	3198 011 03390	3622	Res, Zero ohm, "Chip" Jumper	3198 021 90020
S 3451	Res, 10 ohm, 5%, 1/3W, Metal Film. . .	2306 204 03109	3623	Res, 4K7, 5%, 1/10W, Metalized Glass	3198 021 54720
3452	Res, 10K, 1%, 3/5W, Metal Film	2312 915 11003	3624	Res, 100 ohm, 5%, 1/6W, Carbon Film.	3198 011 01010
3453	Res, 1K, 5%, 1/6W, Carbon Film	3198 011 01020	3625	Res, 100 ohm, 5%, 1/6W, Carbon Film.	3198 011 01010
3454	Res, 3K9, 1%, 3/5W, Metal Film	2312 915 13902	3626	Res, 4K7, 5%, 1/10W, Metalized Glass	3198 021 54720
3455	Res, 6R8, 5%, 1 1/3W, Metal Film . . .	3198 012 26880	3627	Res, 4K7, 5%, 1/10W, Metalized Glass	3198 021 54720
3456	Res, Zero ohm, "Chip" Jumper	3198 021 90020	3628	Res, 10K, 5%, 1/10W, Metalized Glass	3198 021 51030
3457	Res, Zero ohm, "Chip" Jumper	3198 021 90020	3630	Res, 470 ohm, 1%, 1/10W, Metalized Gl	2120 108 92612
3458	Res, 1K, 5%, 1/6W, Carbon Film	3198 011 01020	3632	Res, Zero ohm, "Chip" Jumper	3198 021 90020
3459	Res, 15K, 5%, 1 1/3W, Metal Film . . .	3198 012 21530	3636	Res, 100 ohm, 5%, 1/10W, Metalized Gl	3198 021 51010
3460	Res, 3K9, 5%, 1/6W, Carbon Film. . . .	3198 011 03920	3638	Res, 75 ohm, 5%, 1/10W, Metalized Gla	3198 021 57590
3463	Res, 33 ohm, 5%, 1/6W, Carbon Film . .	3198 011 03390	3639	Res, Zero ohm, "Chip" Jumper	3198 021 90020
3465	Res, 27K, 1%, 3/5W, Metal Film	2312 915 12703	3681	Res, 180 ohm, 1%, 1/10W, Metalized Gl	2120 108 92606
3468	Res, 220 ohm, 5%, 1/6W, Carbon Film.	3198 011 02210	3682	Res, 270 ohm, 1%, 1/10W, Metalized Gl	2120 108 92608
3469	Res, 3K3, 5%, 1/6W, Carbon Film. . . .	3198 011 03320			
3470	Res, 330K, 5%, 1/10W, Metalized Glass	3198 021 53340			
3471	Res, 3R3, 1%, 3/5W, Metal Film	2312 915 13308			

S = Safety Part Be sure to use exact replacement part.

MS2530C321 (continued)

3683	Res, 390 ohm, 1%, 1/10W, Metalized Gl ass.	2120	108	92611	6447	Diode, Signal, 1N4148.	3198	010	10010
3684	Res, 390 ohm, 1%, 1/10W, Metalized Gl ass.	2120	108	92611	6448	Zener Diode, 6.2 volt.	9331	668	30133
3686	Res, Zero ohm, "Chip" Jumper	3198	021	90020	6449	Diode, Signal, BAV99	3198	010	10620
3687	Res, 75 ohm, 1%, 1/10W, Metalized Gla ss.	2120	108	91437	6453	Zener Diode, 6.8 volt.	3198	020	56880
3688	Res, 68 ohm, 1%, 1/10W, Metalized Gla ss.	2120	108	92603	6460	Diode, Rect, BY228/24	9340	559	50112
3689	Res, 2K7, 1%, 1/10W, Metalized Glass	2120	108	92621	6461	Diode, Rect, RGP30J-L7004	9338	617	60682
3691	Res, 330 ohm, 5%, 1/10W, Metalized Gl ass.	3198	021	53310	6462	Zener Diode, 8.2 volt.	3198	010	28280
3693	Res, 220 ohm, 5%, 1/10W, Metalized Gl ass.	3198	021	52210	6465	Diode, Signal, BAV21	3198	010	10070
3694	Res, 4K7, 5%, 1/10W, Metalized Glass	3198	021	54720	6466	Diode, Signal, BAV21	3198	010	10070
3861	Res, 100K, 5%, 1/10W, Metalized Glass	3198	021	51040	6467	Diode, Signal, BAS316.	3198	010	10630
3862	Res, 15K, 5%, 1/10W, Metalized Glass	3198	021	51530	6468	Diode, Signal, BAS316.	3198	010	10630
3863	Res, 1K2, 5%, 1/10W, Metalized Glass	3198	021	51220	6469	Diode, Rect, BYD33J	9337	234	20133
3864	Res, 100 ohm, 5%, 1/10W, Metalized Gl ass.	3198	021	51010	6470	Diode, Signal, BAV99	3198	010	10620
3865	Res, 100 ohm, 5%, 1/6W, Carbon Film.	3198	011	01010	6476	Zener Diode, 15 volt.	3198	010	21590
3866	Res, 100 ohm, 5%, 1/6W, Carbon Film.	3198	011	01010	6481	Zener Diode, 5.6 volt.	3198	010	25680
3867	Res, 3K3, 5%, 1/10W, Metalized Glass	3198	021	53320	6482	Zener Diode, 9.1 volt.	9331	177	80133
3901	Res, 1K, 5%, 1/10W, Metalized Glass.	3198	021	51020	6483	Zener Diode, 33 volt.	3198	010	23390
3902	Res, 3K3, 5%, 1/10W, Metalized Glass	3198	021	53320	6485	Diode, Rect, BYD33J	9337	234	20133
3903	Res, 3K3, 5%, 1/10W, Metalized Glass	3198	021	53320	6486	Diode, Rect, EGP20DL-5100	9322	164	42682
3904	Res, 10K, 5%, 1/10W, Metalized Glass	3198	021	51030	6487	Diode, Rect, BYD33D	9337	234	00133
3905	Res, 3K3, 5%, 1/10W, Metalized Glass	3198	021	53320	6488	Diode, Rect, EGP20DL-5100	9322	164	42682
3906	Res, 10K, 5%, 1/10W, Metalized Glass	3198	021	51030	6500	Diode, Bridge Rect, GBU4JL-7002	9322	132	55667
3907	Res, 8K2, 5%, 1/10W, Metalized Glass	3198	021	58220	6520	Diode, Rect, BYD33D	9337	234	00133
4001	Res, Zero ohm, "Chip" Jumper	3198	021	90020	6523	Diode, Signal, 1N4148.	3198	010	10010
4002	Res, Zero ohm, "Chip" Jumper	3198	021	90020	6524	Diode, Rect, 1N5062	3198	010	10120
4181	Res, Zero ohm, "Chip" Jumper	3198	021	90020	6525	Diode, Rect, 1N5062	3198	010	10120
4214	Res, Zero ohm, "Chip" Jumper	3198	021	90020	6526	Zener Diode, 22 volt.	3198	020	52290
4216	Res, Zero ohm, "Chip" Jumper	3198	021	90020	6540	Zener Diode, 6.2 volt.	9331	668	30133
4217	Res, Zero ohm, "Chip" Jumper	3198	021	90020	6541	Zener Diode, 10 volt.	3198	020	51090
4401	Res, Zero ohm, "Chip" Jumper	3198	021	90020	6560	Diode, Rect, BYV29X-500	9340	555	59127
4402	Res, Zero ohm, "Chip" Jumper	3198	021	90020	6562	Diode, Rect, EGP20DL-5100	9322	164	42682
4430	Res, Zero ohm, "Chip" Jumper	3198	021	90020	6563	Diode, Signal, BAS316.	3198	010	10630
4500	Res, Zero ohm, "Chip" Jumper	3198	021	90020	6565	Diode, Signal, BAV70	9331	849	10215
4601	Res, Zero ohm, "Chip" Jumper	3198	021	90020	6566	Diode, Signal, 1N4148.	3198	010	10010
4613	Res, Zero ohm, "Chip" Jumper	3198	021	90020	6569	Diode, Signal, BAS316.	3198	010	10630
4614	Res, Zero ohm, "Chip" Jumper	3198	021	90020	6570	Zener Diode, 6.8 volt.	3198	020	56880
4615	Res, Zero ohm, "Chip" Jumper	3198	021	90020	6580	Diode, Signal, BAS316.	3198	010	10630
4617	Res, Zero ohm, "Chip" Jumper	3198	021	90020	6691	LED, LTL-10224WHCR.	9322	050	99682
4619	Res, Zero ohm, "Chip" Jumper	3198	021	90020	6692	IR Receiver, TSOP1836UH3V	9322	127	54667
4622	Res, Zero ohm, "Chip" Jumper	3198	021	90020	6901	Res, Zero ohm, "Chip" Jumper	3198	021	90020
4623	Res, Zero ohm, "Chip" Jumper	3198	021	90020	6903	Diode, Rect, 1N5062	3198	010	10120
4691	Res, Zero ohm, "Chip" Jumper	3198	021	90020	7200	IC, TDA9577H/N1/A/0813	9352	716	14557
4692	Res, Zero ohm, "Chip" Jumper	3198	021	90020	7201	Transistor, NPN, BC847B.	3198	010	42030
4693	Res, Zero ohm, "Chip" Jumper	3198	021	90020	7204	Transistor, PNP, BC857B.	3198	010	42150
4804	Res, Zero ohm, "Chip" Jumper	3198	021	90020	7441	Transistor, PNP, BC857B.	3198	010	42150
4805	Res, Zero ohm, "Chip" Jumper	3198	021	90020	7443	Transistor, PNP, BC557B.	3198	020	40110
4808	Res, Zero ohm, "Chip" Jumper	3198	021	90020	7450	Transistor, PNP, PDTA114ET	3198	010	44010
4810	Res, Zero ohm, "Chip" Jumper	3198	021	90020	7460	Transistor, NPN, BU4508DX.	9340	550	92127
4901	Res, Zero ohm, "Chip" Jumper	3198	021	90020	7461	Transistor, NPN, BC337-25.	3198	020	43530
4903	Res, Zero ohm, "Chip" Jumper	3198	021	90020	7462	Transistor, NPN, PDTA143ZT	9340	547	00215
4982	Res, Zero ohm, "Chip" Jumper	3198	021	90020	7463	Transistor, PNP, BC327-25.	3198	020	43430
5001	Coil, 27u.	3198	018	22790	7471	IC, TDA8359J/N2.	9352	701	64112
5002	Coil, 820n	3198	018	18270	7480	Transistor, NPN, BD135	3198	020	41010
5201	Coil, 6u8.	3198	018	16880	7482	Transistor, NPN, BD135	3198	020	41010
5202	Wire Jumper, 0.58MM.	3198	036	90010	S 7515	Optic, Coupler, TCET1104(G).	9322	175	72667
5204	Fixed, Inductor, 100MHZ, 80 ohm.	3198	018	90020	7520	IC, TEA1507P/N1.	9352	673	56112
5205	Fixed, Inductor, 100MHZ, 80 ohm.	3198	018	90020	7521	FET Power, STP8NC50FP.	9322	160	72687
5206	Wire Jumper, 0.58MM.	3198	036	90010	7522	Transistor, NPN, BC847B.	3198	010	42030
5241	Wire Jumper, 0.58MM.	3198	036	90010	7540	Transistor, NPN, BC547B.	3198	020	40030
5242	Coil, 10u.	3198	018	11090	7541	Transistor, NPN, PDTA114ET	9340	310	10215
S 5445	Transformer, SLOT, 1342.0043B Y.	2422	531	02506	7542	Transistor, PNP, BC857B.	3198	010	42150
5451	Coil, 33u.	3198	018	73390	7560	IC, L78L33ACZ.	9322	134	92676
5452	Fixed, Inductor, 100MHZ, 80 ohm.	3198	018	90020	7561	Transistor, NPN, PDTA143ZT	9340	547	00215
5457	Coil, Linear Correction.	3128	138	53241	7580	Transistor, PNP, BC857B.	3198	010	42150
5461	Transformer, Signal Driver, SC10015-0 0 B.	2422	531	02465	7602	IC, M24C08-WBN6.	9322	154	38682
5471	Coil, 3u3.	3198	018	73380	7861	IC, TDA9853H/V1.	9352	671	19557
5472	Coil, 3u3.	3198	018	23380	7901	IC, AN7522N	9322	181	41682
5480	Coil, 33u.	2422	535	97335	9001	Wire Jumper, 0.58MM.	3198	036	90010
S 5501	Filter, Mains, 5mH, 2A	2422	549	43432	9171	Wire Jumper, 0.58MM.	3198	036	90010
S 5520	Transformer, Layer, SS39009-04 B	2422	531	02459	9172	Wire Jumper, 0.58MM.	3198	036	90010
5521	Fixed, Inductor, 100MHZ, 50R.	3198	018	90010	9173	Wire Jumper, 0.58MM.	3198	036	90010
5560	Fixed, Inductor, 100MHZ, 50R.	3198	018	90010	9175	Wire Jumper, 0.58MM.	3198	036	90010
5561	Coil, 27u.	3198	018	22790	9176	Wire Jumper, 0.58MM.	3198	036	90010
5562	Fixed, Inductor, 100MHZ, 80 ohm.	3198	018	90020	9178	Wire Jumper, 0.58MM.	3198	036	90010
5564	Fixed, Inductor, 100MHZ, 50R.	3198	018	90010	9179	Wire Jumper, 0.58MM.	3198	036	90010
5602	Coil, 5u6.	3198	018	15680	9182	Wire Jumper, 0.58MM.	3198	036	90010
5603	Coil, 5u6.	3198	018	15680	9183	Wire Jumper, 0.58MM.	3198	036	90010
5604	Coil, 5u6.	3198	018	15680	9184	Wire Jumper, 0.58MM.	3198	036	90010
5861	Coil, 10u.	3198	018	11090	9192	Wire Jumper, 0.58MM.	3198	036	90010
6001	Zener Diode, 33 volt.	3198	010	23390	9193	Wire Jumper, 0.58MM.	3198	036	90010
6201	Diode, Signal, BAS316.	3198	010	10630	9406	Wire Jumper, 0.58MM.	3198	036	90010
6202	Diode, Signal, BAS316.	3198	010	10630	9407	Wire Jumper, 0.58MM.	3198	036	90010
6206	Zener Diode, 6.8 volt.	3198	020	56880	9408	Wire Jumper, 0.58MM.	3198	036	90010
6445	Zener Diode, 10 volt.	3198	020	51090	9409	Wire Jumper, 0.58MM.	3198	036	90010
					9410	Wire Jumper, 0.58MM.	3198	036	90010
					9411	Wire Jumper, 0.58MM.	3198	036	90010
					9412	Wire Jumper, 0.58MM.	3198	036	90010
					9413	Wire Jumper, 0.58MM.	3198	036	90010
					9415	Wire Jumper, 0.58MM.	3198	036	90010
					9416	Wire Jumper, 0.58MM.	3198	036	90010
					9417	Wire Jumper, 0.58MM.	3198	036	90010
					9418	Wire Jumper, 0.58MM.	3198	036	90010

S = Safety Part Be sure to use exact replacement part.

MS2530C321 (continued)

9311	Wire Jumper, 0.58MM.	3198 036 90010
9341	Wire Jumper, 0.58MM.	3198 036 90010
9342	Wire Jumper, 0.58MM.	3198 036 90010
9343	Wire Jumper, 0.58MM.	3198 036 90010

MS3250C321 - Manual no. 7629

Cabinet & Accessory Parts

Cabinet & Accessory Parts			
S AC12	Degaussing Coil (Used w/CRT A80ECK272 X56)	2422 549 43977	
AC11	Customer Control Buttons	3139 124 29991	
AC07	Chassis Tray	3139 124 31323	
AC09	Clip, Anode Lead	3135 014 04471	
AC13	Holder, Degaussing Coil (4 Used)	3135 013 01661	
AC16	Owner's Manual	3121 235 20121	
AC16b	Quick Use Guide	3121 233 40921	
S AC01	AC Cord	3135 010 05051	
AC15	Jack Panel Bracket Assembly	3139 124 37511	
AC04	Cabinet Back	3139 124 25312	
AC20	Cabinet Front Assembly f/MS3250C321	3121 237 51831	
AC20a	Cabinet Front	3139 137 67061	
AC20f	Power Button	3139 124 29981	
AC20d	Light Guide	3139 124 26461	
AC20j	Speaker, Full Range, 16 ohm, 5W (2 Used)	2422 264 00401	
REMOTE	Remote Transmitter, RC2524/17	3139 228 87491	
AC03	Battery, 1.5V, 2-PACK	9299 000 65263	
S AC10	CRT, A80QCF340X34(N) (When Comp 2209 = 10uF)	9301 904 59463	
S AC12	Degaussing Coil (Used w/CRT A80QCF340 X34(N))	2422 549 45334	
S AC10	CRT, A80ECK272X56 (When Comp 2209 = 4 .7uF)	4835 131 27165	

Main Chassis Assembly Parts

Main Chassis Assembly Parts			
0118	U-Cooling Plate	3139 121 26731	
0127	Socket Fuse	2422 088 00271	
0136	IC-Spring	3104 301 22081	
0137	Spring	3139 121 24581	
0138	IC-Spring	3104 301 22081	
0139	Spring for Bracket	3122 121 24786	
0140	Spring	3139 121 24581	
0141	IC-Spring	3104 301 22081	
S 0211	Connector, 2 Pin	2422 025 16269	
S 0212	Connector, 2 Pin	2422 025 16375	
0220	Connector, 5 Pin	2422 025 04853	
S 0221	Connector, 4 Pin	2422 025 15503	
S 0222	Connector, 2 Pin	2422 025 10646	
0223	Socket, CINCH, 6 Pin	2422 026 05184	
0225	Socket, MDIN, 10 Pin	2422 026 04926	
0243	Connector, 6 Pin	2422 025 04854	
0267	Connector, 3 Pin	2412 020 00725	
0280	Connector, 4 Pin	2422 025 12479	
0320	Factory Plate	3122 120 01701	
3247	Res, 470K, 5%, 1/10W, Glass (Used w/C RT A80QCF340X34(N))	3198 021 54740	
1000	Tuner, V+U PLL	2422 542 90108	
1002	SAW Filter, 45MHZ75, OFWML1971M L	2422 549 44518	
1200	Filter, Ceramic, 4MHZ5	2422 549 40807	
S 1500	Fuse, 4A, 250V, IEC	2422 086 10914	
S 1515	Relay, 1P, 12V	2422 132 07444	
1600	Tact Switch	2422 128 02742	
1601	Tact Switch	2422 128 02742	
1602	Tact Switch	2422 128 02742	
1603	Tact Switch	2422 128 02742	
1606	Tact Switch	2422 128 02742	
1660	Crystal Resonator, 12 MHz, 20P, HC49/ U A	2422 543 01203	
1831	Crystal Resonator, 18MHZ432 12P HC49 /U A	2422 543 00842	
2004	Cap, 47n, 10%, 25v, Ceramic	3198 023 04730	
2005	Cap, 10u, 20%, 50v, Electrolytic	3198 025 51090	
2006	Cap, 470u, 20%, 16v, Electrolytic	3198 025 24710	
2007	Cap, 100n, +80/-20%, 25v, Ceramic	3198 023 21040	
2008	Cap, 100u, 20%, 25v, Electrolytic	3198 025 31010	
2009	Cap, 22n, 10%, 50v, Ceramic	3198 017 02230	
2101	Cap, 470n, +80/-20%, 16v, Ceramic	3198 017 24740	
2102	Cap, 22p, 5%, 50v, Ceramic	3198 016 02290	
2103	Cap, 330p, 10%, 50v, Ceramic	3198 017 03310	
2104	Cap, 330p, 10%, 50v, Ceramic	3198 017 03310	
2105	Cap, 10u, 20%, 50v, Electrolytic	3198 025 51090	
2106	Cap, 10u, 20%, 50v, Electrolytic	3198 025 51090	
2122	Cap, 330p, 10%, 50v, Ceramic	3198 017 03310	
2123	Cap, 2u2, +80/-20%, 10v, Ceramic	3198 017 22250	
2124	Cap, 330p, 10%, 50v, Ceramic	3198 017 03310	
2125	Cap, 2u2, +80/-20%, 10v, Ceramic	3198 017 22250	
2135	Cap, 22p, 5%, 50v, Ceramic	3198 016 02290	
2136	Cap, 22p, 5%, 50v, Ceramic	3198 016 02290	
2141	Cap, 330p, 10%, 50v, Ceramic	3198 017 03310	
2202	Cap, 100n, +80/-20%, 25v, Ceramic	3198 023 21040	
2203	Cap, 100n, +80/-20%, 25v, Ceramic	3198 023 21040	
2204	Cap, 100n, +80/-20%, 25v, Ceramic	3198 023 21040	
2205	Cap, 220n, +80/-20%, 25v, Ceramic	3198 023 22240	
2208	Cap, 100n, +80/-20%, 25v, Ceramic	3198 023 21040	
2209	Cap, 4.7uF, 20%, 50v, Electrolytic (Used w/CRT A80ECK272X56)	3198 025 54780	
2209	Cap, 10uF, 20%, 50v, Electrolytic (Used w/CRT A80QCF340X34(N))	3198 025 51090	

S = Safety Part Be sure to use exact replacement part.

2210	Cap, 1u, +80/-20%, 16v, Ceramic	3198 017 21050
2211	Cap, 470n, +80/-20%, 16v, Ceramic	3198 017 24740
2216	Cap, 1000u, 20%, 16v, Electrolytic	3198 026 21020
2217	Cap, 22n, 10%, 50v, Ceramic	3198 017 02230
2219	Cap, 220n, +80/-20%, 25v, Ceramic	3198 023 22240
2220	Cap, 470n, 10%, 50v, Polyester	3198 014 04740
2221	Cap, 22n, 10%, 50v, Ceramic	3198 017 02230
2241	Cap, 1n5, 10%, 50v, Ceramic	3198 017 01520
2242	Cap, 1u, +80/-20%, 16v, Ceramic	3198 017 21050
2243	Cap, 2n2, 10%, 50v, Ceramic	3198 017 02220
2244	Cap, 100n, 10%, 63v, Metallized Polyester	2222 370 75104
2245	Cap, 220n, +80/-20%, 16v, Ceramic (Used w/CRT A80ECK272X56)	3198 023 22240
2245	Cap, 470n, +80/-20%, 16v, Ceramic (Used w/CRT A80QCF340X34(N))	3198 017 24740
2247	Cap, 1000u, 20%, 16v, Electrolytic	3198 026 21020
2248	Cap, 22n, 10%, 50v, Ceramic	3198 017 02230
2249	Cap, 22n, 10%, 50v, Ceramic	3198 017 02230
2250	Cap, 2u2, 20%, 50v, Electrolytic	3198 025 52280
2252	Cap, 1n, 5%, 50v, Ceramic	3198 016 01020
2253	Cap, 1n, 5%, 50v, Ceramic	3198 016 01020
2254	Res, Zero ohm, Chip Jumper	3198 021 90020
2401	Cap, 2u2, 20%, 50v, Electrolytic	2020 021 90552
2402	Cap, 470p, 10%, 500v, Ceramic	3198 019 44710
2404	Cap, 47u, 20%, 50v, Electrolytic	3198 025 54790
2405	Cap, 220u, 20%, 25v, Electrolytic	3198 025 32210
2441	Cap, 1u, 20%, 50v, Electrolytic	3198 025 51080
2443	Cap, 47n, +80/-20%, 50v, Ceramic	3198 017 24730
2444	Cap, 1u, 20%, 50v, Electrolytic	3198 025 51080
2450	Cap, 47u, 20%, 160v, Electrolytic	2020 021 91139
2451	Cap, 15n, 10%, 50v, Polyester	3198 014 01530
2452	Cap, 180p, 5%, 50v, Ceramic	3198 016 01810
2455	Cap, 47u, 20%, 25v, Electrolytic	3198 025 34790
2457	Cap, 470nF, 5%, 250v, Polypropylene (Used w/CRT A80QCF340X34(N))	2222 479 90023
2457	Cap, 430nF, 5%, 250v, Polypropylene (Used w/CRT A80ECK272X56)	2222 479 90022
2458	Cap, 2u2, 20%, 100v, Electrolytic	2020 021 91331
2459	Cap, 680p, 10%, 500v, Ceramic	3198 019 46810
2460	Cap, 100p, 5%, 50v, Ceramic	3198 016 01010
2463	Cap, 680p, 10%, 2kV, Ceramic (Used w/CRT A80ECK272X56)	2020 558 90485
2463	Cap, 1.2nF, 10%, 2kV, Ceramic (Used w/CRT A80QCF340X34(N))	2020 558 90488
2463	Cap, 1n2, 10%, 2000v, Ceramic (Used w/CRT A80QCF340X34(N))	2020 558 90488
2463	Cap, 680pF, 10%, 2000v, Ceramic (Used w/CRT A80ECK272X56)	2020 558 90485
2464	Cap, 2u2, 5%, 160v, Metallized Polypropylene	2222 479 90042
2465	Cap, 13n, 5%, 1600v, Polypropylene	2222 375 90157
2466	Cap, 10n, 10%, 400v, Polyester (Used w/CRT A80ECK272X56)	2222 347 90218
2466	Cap, 15n, 10%, 400v, Polyester (Used w/CRT A80QCF340X34(N))	2222 347 90219
2468	Cap, 10n, 10%, 400v, Polyester (Used w/CRT A80QCF340X34(N))	2222 347 90218
2468	Cap, 18n, 10%, 400v, Polyester (Used w/CRT A80ECK272X56)	2222 347 90222
2471	Cap, 100n, 10%, 50v, Polyester	3198 014 01040
2472	Cap, 150n, 10%, 63v, Metallized Polyester	2222 365 75154
2473	Cap, 100n, 10%, 63v, Metallized Polyester	2222 365 75104
2474	Cap, 2n2, 10%, 50v, Ceramic	3198 017 02220
2475	Cap, 2n2, 10%, 50v, Ceramic	3198 017 02220
2476	Cap, 4n7, 10%, 50v, Ceramic	3198 017 04720
2480	Cap, 47u, 20%, 25v, Electrolytic	2020 021 90586
2481	Cap, 470p, 10%, 500v, Ceramic	3198 019 44710
2482	Cap, 68n, 10%, 250v, Polyester	2222 347 90234
2485	Cap, 4u7, 20%, 250v, Electrolytic	2020 021 90856
2486	Cap, 470u, 20%, 16v, Electrolytic	2020 021 91577
2487	Cap, 47u, 20%, 50v, Electrolytic	2020 021 90854
2488	Cap, 1000u, 20%, 16v, Electrolytic	2020 021 91049
2489	Cap, 470u, 20%, 16v, Electrolytic	2020 021 91577
2491	Cap, 1n, 10%, 500v, Ceramic	3198 019 41020
S 2500	Cap, 470n, 20%, 275v, Metallized Polypropylene	2222 336 29148
2501	Cap, 2n2, 10%, 1000v, Ceramic	3198 019 52220
2502	Cap, 2n2, 10%, 1000v, Ceramic	3198 019 52220
2503	Cap, 470u, 20%, 200v, Electrolytic	2020 024 90626
2505	Cap, 2n2, 10%, 1000v, Ceramic	3198 019 52220
2507	Cap, 470p, 10%, 50v, Ceramic	3198 017 04710
2508	Cap, 470p, 10%, 1000v, Ceramic	3198 019 64710
S 2515	Cap, 1n5, 20%, v, Ceramic	2020 554 90128
2520	Cap, 100n, 10%, 16v, Ceramic	3198 017 01040
2521	Cap, 22u, 20%, 50v, Electrolytic	3198 025 52290
2522	Cap, 100n, 10%, 16v, Ceramic	3198 017 01040
2523	Cap, 1n5, 10%, 2000v, Ceramic	2020 558 90489
2525	Cap, 470p, 10%, 50v, Ceramic	3198 017 04710
2527	Cap, 2n2, 10%, 50v, Ceramic	3198 017 02220

MS3250C321 (continued)

2528	Cap, 1n, 10%, 50v, Ceramic	3198 017 01020	3206	Res, 33K, 5%, 1/16W, Glass (Used w/CR	
2540	Cap, 10n, 10%, 50v, Ceramic	3198 017 01030		T A80ECK272X56).	3198 021 53330
2541	Cap, 10n, 10%, 50v, Ceramic	3198 017 01030	3206	Res, 270K, 5%, 1/8W, Glass (Used w/CR	
2560	Cap, 680p, 10%, 1000v, Ceramic	2020 558 90472		T A80QCF340X34(N))	2322 730 61274
2561	Cap, 100u, 20%, 160v, Electrolytic	2020 021 91654	3207	Res, 1K, 5%, 1/6W, Carbon Film	3198 011 01020
2562	Cap, 1n, 10%, 50v, Ceramic	3198 019 11020	3208	Res, 220 ohm, 5%, Carbon	3198 021 52210
2563	Cap, 100n, 10%, 50v, Polyester	3198 014 01040	3209	Res, 68 ohm, 5%, 1/10W, Metallized Gl	
2564	Cap, 2u2, 20%, 25v, Electrolytic	2020 021 91353		ass.	3198 021 56890
2566	Cap, 470u, 20%, 6.3v, Electrolytic	3198 025 04710	3212	Res, 470 ohm, 5%, 1/10W, Metallized G	
2567	Cap, 47u, 20%, 25v, Electrolytic	3198 025 34790		lass	3198 021 54710
2568	Cap, 1u, 20%, 50v, Electrolytic	3198 025 51080	3213	Res, 560 ohm, 5%, 1/6W, Carbon Film.	3198 011 05610
2580	Cap, 47u, 20%, 16v, Electrolytic	3198 028 24790	3217	Res, 330K, 5%, 1/10W, Metallized Glass	3198 021 53340
2581	Cap, 22u, 20%, 50v, Electrolytic	3198 025 52290	3218	Res, 82K, 5%, 1/10W, Metallized Glass	3198 021 58230
2601	Cap, 220n, +80/-20%, 25v, Ceramic.	3198 023 22240	3219	Res, 2K2, 5%, 1/10W, Metallized Glass	3198 021 52220
2602	Cap, 100p, 5%, 50v, Ceramic.	3198 016 01010	3220	Res, 100 ohm, 5%, 1/6W, Carbon Film.	3198 011 01010
2606	Cap, 1n, 10%, 50v, Ceramic	3198 017 01020	3221	Res, 560 ohm, 5%, 1/6W, Carbon Film.	3198 011 05610
2607	Cap, 33p, 5%, 50v, Ceramic	3198 016 03390	3222	Res, 100 ohm, 5%, 1/6W, Carbon Film.	3198 011 01010
2608	Cap, 1u, +80/-20%, 16v, Ceramic.	3198 017 21050	3226	Res, 560 ohm, 5%, 1/10W, Metallized G	
2609	Cap, 33p, 5%, 50v, Ceramic	3198 016 03390		lass	3198 021 55610
2611	Cap, 1u, +80/-20%, 16v, Ceramic.	3198 017 21050	3235	Res, 100 ohm, 5%, 1/6W, Carbon Film.	3198 011 01010
2612	Cap, 68p, 5%, 50v, Ceramic	3198 016 06890	3241	Res, 22k, 5%, Carbon	3198 021 52230
2613	Cap, 68p, 5%, 50v, Ceramic	3198 016 06890	3242	Res, 12K, 5%, 1/10W, Metallized Glass	3198 021 51230
2615	Cap, 1n, 10%, 50v, Ceramic	3198 017 01020	3244	Res, 820 ohm, 5%, 1/6W, Carbon Film.	3198 011 08210
2618	Cap, 1u, +80/-20%, 16v, Ceramic.	3198 017 21050	3245	Res, 39K, 5%, 1/10W, Metallized Glass	3198 021 53930
2619	Cap, 1u, +80/-20%, 16v, Ceramic.	3198 017 21050	3246	Res, 10k, 5%, Carbon	3198 021 51030
2691	Cap, 220u, 20%, 25v, Electrolytic.	3198 025 32210	3247	Res, 680K, 5%, 1/10W, Glass (Used w/C	
2801	Cap, 22u, 20%, 50v, Electrolytic	3198 025 52290		RT A80ECK272X56)	3198 021 56840
2805	Res, Zero ohm, Chip Jumper	3198 021 90020	3248	Res, 33K, 5%, 1/10W, Metallized Glass	3198 021 53330
2806	Res, Zero ohm, Chip Jumper	3198 021 90020	3249	Res, 820 ohm, 5%, 1/6W, Carbon Film.	3198 011 08210
2831	Cap, 1p, 25%, 50v, Ceramic	3198 016 01080	3250	Res, 8K2, 5%, 1/6W, Carbon Film.	3198 011 08220
2832	Cap, 1p, 25%, 50v, Ceramic	3198 016 01080	3251	Res, 100 ohm, 5%, 1/6W, Carbon Film.	3198 011 01010
2833	Cap, 47p, 5%, 50v, Ceramic	3198 016 04790	3256	Res, 1k, 5%, Carbon.	3198 021 51020
2834	Cap, 470p, 5%, 50v, Ceramic.	3198 016 04710	3257	Res, 10M, 5%, 1/10W, Metallized Glass	3198 021 51060
2835	Cap, 220p, 5%, 50v, Ceramic.	3198 016 02210	3258	Res, 100K, 5%, 1/10W, Metallized Glas	3198 021 51040
2836	Cap, 1n5, 10%, 50v, Ceramic.	3198 017 01520	3259	Res, 470K, 5%, 1/10W, Metallized Glas	3198 021 54740
2837	Cap, 4u7, 20%, 50v, Electrolytic	3198 025 54780	3400	Res, 330 ohm, 5%, 1/6W, Carbon Film.	3198 011 03310
2840	Cap, 100n, +80/-20%, 25v, Ceramic.	3198 023 21040	3401	Res, 33K, 5%, 1/6W, Carbon Film.	3198 011 03330
2841	Cap, 10u, 20%, 50v, Electrolytic	3198 025 51090	3403	Res, 100K, 5%, 1/6W, Carbon Film	3198 011 01040
2842	Cap, 100n, +80/-20%, 25v, Ceramic.	3198 023 21040	3404	Res, 1K, 5%, 1/6W, Carbon Film	3198 011 01020
2843	Cap, 10u, 20%, 50v, Electrolytic	3198 025 51090	3405	Res, 4R7, 5%, 1/6W, Carbon Film.	3198 011 04780
2844	Cap, 10u, 20%, 50v, Electrolytic	3198 025 51090	3406	Res, 4R7, 5%, 1/6W, Carbon Film.	3198 011 04780
2845	Cap, 100n, +80/-20%, 25v, Ceramic.	3198 023 21040	3408	Res, 100 ohm, 5%, 1/6W, Carbon Film.	3198 011 01010
2846	Cap, 100u, 20%, 25v, Electrolytic.	3198 025 31010	3410	Res, 10K, 5%, 1/6W, Carbon Film.	3198 011 01030
2849	Cap, 1n, 5%, 50v, Ceramic.	3198 016 01020	3411	Res, 4R7, 5%, 1/3W, Metal Film	2306 204 03478
2850	Cap, 1n, 5%, 50v, Ceramic.	3198 016 01020	3441	Res, 100 ohm, 5%, 1/10W, Metallized G	
2851	Res, Zero ohm, Chip Jumper	3198 021 90020		lass	3198 021 51010
2852	Cap, 1n, 5%, 50v, Ceramic.	3198 016 01020	3442	Res, Zero ohm, Chip Jumper	3198 021 90020
2853	Res, Zero ohm, Chip Jumper	3198 021 90020	3443	Res, 1M, 5%, 1/10W, Metallized Glass	3198 021 51050
2854	Cap, 1n, 5%, 50v, Ceramic.	3198 016 01020	3445	Res, 15K, 5%, 1/6W, Carbon Film.	3198 011 01530
2855	Cap, 33p, 5%, 50v, Ceramic.	3198 016 03390	3446	Res, 5K6, 5%, 1/6W, Carbon Film.	3198 011 05620
2856	Cap, 47p, 5%, 50v, Ceramic.	3198 016 04790	3447	Res, 180 ohm, 5%, 1/6W, Carbon Film.	3198 011 01810
2857	Cap, 150p, 5%, 50v, Ceramic.	3198 016 01510	3448	Res, 820 ohm, 5%, 1/6W, Carbon Film.	3198 011 08210
2860	Cap, 180p, 5%, 50v, Ceramic.	3198 016 01810	3449	Res, 68 ohm, 5%, 1/6W, Carbon Film	3198 011 06890
2894	Cap, 220p, 5%, 50v, Ceramic.	3198 016 02210	3450	Res, 33 ohm, 5%, 1/6W, Carbon Film	3198 011 03390
2895	Cap, 560p, 5%, 50v, Ceramic.	3198 016 05610	S 3451	Res, 2R7 ohm, 5%, 1/3W, Metal Film	2306 204 03278
2897	Cap, 390p, 5%, 50v, Ceramic.	3198 016 03910	3452	Res, 5K6, 1%, 3/5W, Metal Film	2312 915 15602
2898	Cap, 10n, 10%, 50v, Ceramic.	3198 017 01030	3453	Res, 1K, 5%, 1/6W, Carbon Film	3198 011 01020
2902	Cap, 1000u, 20%, 16v, Electrolytic	3198 026 21020	3454	Res, 2K, 1%, 3/5W, Metal Film.	2312 915 12002
2903	Cap, 1u, 20%, 50v, Electrolytic.	3198 025 51080	3455	Res, 6R8, 5%, 1 1/3W, Metal Film	3198 012 26880
2904	Cap, 470n, +80/-20%, 16v, Ceramic.	3198 017 24740	3458	Res, 1K, 5%, 1/6W, Carbon Film	3198 011 01020
2905	Cap, 1n, 10%, 50v, Ceramic.	3198 017 01020	3459	Res, 15K, 5%, 1 1/3W, Metal Film	3198 012 21530
2906	Cap, 470n, +80/-20%, 16v, Ceramic.	3198 017 24740	3460	Res, 3K9, 5%, 1/6W, Carbon Film.	3198 011 03920
2907	Cap, 1n, 10%, 50v, Ceramic	3198 017 01020	3463	Res, 33 ohm, 5%, 1/6W, Carbon Film	3198 011 03390
2908	Cap, 10u, 20%, 50v, Electrolytic	3198 025 51090	3465	Res, 27K, 1%, 3/5W, Metal Film	2312 915 12703
2910	Cap, 3n3, 10%, 50v, Ceramic.	3198 017 03320	3468	Res, 180 ohm, 5%, 1/6W, Carbon Film.	3198 011 01810
2911	Cap, 3n3, 10%, 50v, Ceramic.	3198 017 03320	3469	Res, 3K3, 5%, 1/6W, Carbon Film.	3198 011 03320
2950	Cap, 330p, 5%, 50v, Ceramic.	3198 016 03310	3470	Res, 150K, 5%, 1/10W, Glass (Used w/C	
3000	Res, 100 ohm, 5%, 1/6W, Carbon Film.	3198 011 01010		RT A80ECK272X56)	3198 021 51540
3001	Res, 100 ohm, 5%, 1/6W, Carbon Film.	3198 011 01010	3470	Res, 390K, 5%, 1/8W, Glass (Used w/CR	
3002	Res, Zero ohm, Chip Jumper	3198 021 90020		T A80QCF340X34(N))	2322 730 61394
3003	Res, 1K5, 5%, 1/10W, Metallized Glass	3198 021 51520	3471	Res, 3R9, 1%, 3/5W, Metal Film (Used	
3004	Res, 8K2, 5%, 1/10W, Metallized Glass	3198 021 58220		w/CRT A80QCF340X34(N))	2312 915 13908
3005	Res, 100 ohm, 5%, 1/6W, Carbon Film.	3198 011 01010	3471	Res, 4R7, 1%, 3/5W, Metal Film (Used	
3101	Res, 68 ohm, 5%, 1/6W, Carbon Film	3198 011 06890		w/CRT A80ECK272X56)	2312 915 14708
3102	Res, 1k, 5%, Carbon.	3198 021 51020	3472	Res, 3R9, 1%, 3/5W, Metal Film (Used	
3103	Res, 150 ohm, 5%, 1/6W, Carbon Film.	3198 011 01510		w/CRT A80QCF340X34(N))	2312 915 13908
3104	Res, 220K, 5%, 1/10W, Metallized Glas	3198 021 52240	3472	Res, 2R2, 1%, 3/5W, Metal Film (Used	
3105	Res, 150 ohm, 5%, 1/6W, Carbon Film.	3198 011 01510		w/CRT A80ECK272X56)	2312 915 12208
3106	Res, 220K, 5%, 1/10W, Metallized Glas	3198 021 52240	3473	Res, 3R3, 1%, 3/5W, Metal Film (Used	
3123	Res, 150 ohm, 5%, 1/6W, Carbon Film.	3198 011 01510		w/CRT A80ECK272X56)	2312 915 13308
3124	Res, 47K, 5%, 1/10W, Metallized Glass	3198 021 54730	3473	Res, 5R6, 1%, 3/5W, Metal Film (Used	
3125	Res, 150 ohm, 5%, 1/6W, Carbon Film.	3198 011 01510		w/CRT A80QCF340X34(N))	2312 915 15608
3126	Res, 47K, 5%, 1/10W, Metallized Glass	3198 021 54730	3474	Res, 2K2, 1%, 3/5W, Metal Film	2312 915 12202
3135	Res, 75 ohm, 5%, 1/6W, Carbon Film	3198 011 07590	3475	Res, 2K2, 1%, 3/5W, Metal Film	2312 915 12202
3136	Res, 100 ohm, 5%, 1/6W, Carbon Film.	3198 011 01010	3477	Res, 150 ohm, 5%, 1/6W, Carbon Film.	3198 011 01510
3138	Wire Jumper, 0.58MM.	3198 036 90010	3478	Res, 150 ohm, 5%, 1/6W, Carbon Film.	3198 011 01510
3141	Res, 1K, 5%, 1/6W, Carbon Film	3198 011 01020	3479	Res, 2K7, 5%, 1/10W, Metallized Glass	3198 021 52720
3200	Res, 390 ohm, 5%, 1/6W, Carbon Film.	3198 011 03910	3480	Res, 1R5, 5%, 1/4W, Carbon Film.	2120 101 74158
3201	Res, 100 ohm, 5%, 1/6W, Carbon Film.	3198 011 01010	3481	Res, 15K, 1%, 3/5W, Metal Film	2312 915 11503
3202	Res, 100 ohm, 5%, 1/6W, Carbon Film.	3198 011 01010	3482	Res, 6K8, 1%, 3/5W, Metal Film	2312 915 16802
3203	Res, 100 ohm, 5%, 1/6W, Carbon Film.	3198 011 01010	3484	Res, 3K9, 5%, 1/6W, Carbon Film.	3198 011 03920
3204	Res, 22K, 5%, 1/6W, Carbon Film.	3198 011 02230	3486	Res, 33 ohm, 5%, 2 1/2W, Metal Film.	3198 012 33390

S = Safety Part Be sure to use exact replacement part.

MS3250C321 (continued)

3488	Res, 4R7, 5%, 1/2W, Metal Film . . .	2306 207 03478	3685	Res, 560 ohm, 5%, 1/10W, Metallized G	
3490	Res, 8K2, 5%, 1/6W, Carbon Film. . .	3198 011 08220		lass	3198 021 55610
3492	Res, 1k, 5%, Carbon.	3198 021 51020	3686	Res, 1K5, 5%, 1/10W, Metallized Glass	3198 021 51520
3493	Res, 2R2, 5%, 1/3W, Metal Film . . .	2306 204 03228	3691	Res, 330 ohm, 5%, 1/10W, Metallized G	
3494	Res, 4R7, 5%, 1/2W, Metal Film . . .	2306 207 03478		lass	3198 021 53310
3495	Res, 22k, 5%, Carbon	3198 021 52230	3693	Res, 220 ohm, 5%, Carbon	3198 021 52210
3496	Res, 100K, 5%, 1/10W, Metallized Glas	3198 021 51040	3694	Res, 4K7, 5%, 1/10W, Metallized Glass	3198 021 54720
3497	Res, 100K, 5%, 1/10W, Metallized Glas	3198 021 51040	3801	Res, 220 ohm, 5%, 1/6W, Carbon Film.	3198 011 02210
3498	Res, 12K, 5%, 1/10W, Metallized Glass	3198 021 51230	3802	Res, 1K, 5%, 1/6W, Carbon Film . . .	3198 011 01020
3499	Res, 10k, 5%, Carbon	3198 021 51030	3831	Res, 47K, 5%, 1/10W, Metallized Glass	3198 021 54730
S 3500	Res, 3M3, 5%, 1/2W, Metallized Glass	2322 242 13335	3832	Res, 100 ohm, 5%, 1/6W, Carbon Film.	3198 011 01010
S 3501	Res, 3M3, 5%, 1/2W, Metallized Glass	2322 242 13335	3833	Res, 100 ohm, 5%, 1/6W, Carbon Film.	3198 011 01010
3504	Res, 3 ohm, +30%/-20%, 144v, PTC, Car		3836	Res, 1k, 5%, Carbon.	3198 021 51020
	bon Film	2122 663 00019	3837	Res, 100 ohm, 5%, 1/6W, Carbon Film.	3198 011 01010
S 3506	Res, 1M5, 5%, 1/2W, Metallized Glass	2322 242 13155	3838	Res, 1k, 5%, Carbon.	3198 021 51020
S 3507	Surge Protector, DSP-301N-A21F A. .	2422 549 43073	3839	Res, 100 ohm, 5%, 1/6W, Carbon Film.	3198 011 01010
S 3508	Res, 220 ohm, 20%, 1/2W, Carbon Film	3198 013 02210	3843	Res, 2K2, 5%, 1/10W, Metallized Glass	3198 021 52220
3510	Res, 4.7 ohm, 20%, 3W1, NTC, Carbon F		3901	Res, 1k, 5%, Carbon.	3198 021 51020
	ilm.	2122 612 00056	3902	Res, 3K3, 5%, 1/10W, Metallized Glass	3198 021 53320
3519	Res, 270 ohm, 5%, 1/6W, Carbon Film.	3198 011 02710	3903	Res, 3K3, 5%, 1/10W, Metallized Glass	3198 021 53320
3520	Res, 1K2, 5%, 1/10W, Metallized Glass	3198 021 51220	3904	Res, 10k, 5%, Carbon	3198 021 51030
3521	Res, 4R7, 5%, 1/6W, Carbon Film. . .	3198 011 04780	3905	Res, 3K3, 5%, 1/10W, Metallized Glass	3198 021 53320
3522	Res, 330K, 5%, 1/10W, Metallized Glas	3198 021 53340	3906	Res, 10k, 5%, Carbon	3198 021 51030
S 3523	Res, 100 ohm, 5%, 1/3W, Metal Film .	2306 204 03101	3907	Res, 8K2, 5%, 1/10W, Metallized Glass	3198 021 58220
3524	Res, 56K, 5%, 1/10W, Metallized Glass	3198 021 55630	4001	Res, Zero ohm, Chip Jumper	3198 021 90020
3525	Res, 1k, 5%, Carbon.	3198 021 51020	4002	Res, Zero ohm, Chip Jumper	3198 021 90020
3526	Res, 0R1, 5%, 3/5W, Metal Film . . .	3198 012 11070	4101	Res, Zero ohm, Chip Jumper	3198 021 90020
3527	Res, 0R33, 5%, 3/5W, Metal Film. . .	3198 012 13370	4102	Res, Zero ohm, Chip Jumper	3198 021 90020
3528	Res, Zero ohm, Chip Jumper	3198 021 90020	4104	Res, Zero ohm, Chip Jumper	3198 021 90020
3529	Res, 47K, 5%, 1/10W, Metallized Glass	3198 021 54730	4121	Res, Zero ohm, Chip Jumper	3198 021 90020
3530	Res, 10k, 5%, Carbon	3198 021 51030	4181	Res, Zero ohm, Chip Jumper	3198 021 90020
3531	Res, 4K7, 5%, 1/10W, Metallized Glass	3198 021 54720	4209	Res, Zero ohm, Chip Jumper	3198 021 90020
S 3532	Res, 2K2, 5%, 1/3W, Metal Film . . .	2306 204 03222	4216	Res, Zero ohm, Chip Jumper	3198 021 90020
3541	Res, 470 ohm, 5%, 1/10W, Metallized G		4217	Res, Zero ohm, Chip Jumper	3198 021 90020
	lass	3198 021 54710	4401	Res, Zero ohm, Chip Jumper	3198 021 90020
3542	Res, 1K5, 5%, 1/10W, Metallized Glass	3198 021 51520	4402	Res, Zero ohm, Chip Jumper	3198 021 90020
3543	Res, 82K, 1%, 3/5W, Metal Film . . .	2312 915 18203	4430	Res, Zero ohm, Chip Jumper	3198 021 90020
3544	Res, 4K7, 1%, 1/8W, Metallized Glass	2322 734 64702	4500	Res, Zero ohm, Chip Jumper	3198 021 90020
3545	Res, 270K, 5%, 1/8W, Metallized Glass	2322 730 61274	4601	Res, Zero ohm, Chip Jumper	3198 021 90020
3548	Res, 15K, 5%, 1/10W, Metallized Glass	3198 021 51530	4613	Res, Zero ohm, Chip Jumper	3198 021 90020
3552	Res, 4K7, 5%, 1/10W, Metallized Glass	3198 021 54720	4614	Res, Zero ohm, Chip Jumper	3198 021 90020
3557	Res, 1k, 5%, Carbon.	3198 021 51020	4615	Res, Zero ohm, Chip Jumper	3198 021 90020
3560	Res, 47 ohm, 5%, 1/6W, Carbon Film .	3198 011 04790	4617	Res, Zero ohm, Chip Jumper	3198 021 90020
3561	Res, 100 ohm, 5%, 1/6W, Carbon Film.	3198 011 01010	4619	Res, Zero ohm, Chip Jumper	3198 021 90020
3562	Res, 12K, 5%, 1/10W, Metallized Glass	3198 021 51230	4622	Res, Zero ohm, Chip Jumper	3198 021 90020
3563	Res, 5K6, 5%, 1/10W, Metallized Glass	3198 021 55620	4623	Res, Zero ohm, Chip Jumper	3198 021 90020
3564	Res, 0R1, 5%, 1 1/3W, Metal Film . .	3198 012 21070	4691	Res, Zero ohm, Chip Jumper	3198 021 90020
3565	Res, 330 ohm, 5%, 1W, Metal Film . . .	3198 012 13310	4692	Res, Zero ohm, Chip Jumper	3198 021 90020
3566	Res, 2K2, 5%, 1/10W, Metallized Glass	3198 021 52220	4693	Res, Zero ohm, Chip Jumper	3198 021 90020
3567	Res, 1K8, 5%, 1/10W, Metallized Glass	3198 021 51820	4696	Res, Zero ohm, Chip Jumper	3198 021 90020
3568	Res, 8K2, 5%, 1/10W, Metallized Glass	3198 021 58220	4804	Res, Zero ohm, Chip Jumper	3198 021 90020
3569	Res, 5K6, 5%, 1/10W, Metallized Glass	3198 021 55620	4831	Res, Zero ohm, Chip Jumper	3198 021 90020
3580	Res, 47K, 5%, 1/10W, Metallized Glass	3198 021 54730	4833	Res, Zero ohm, Chip Jumper	3198 021 90020
3594	Res, 330 ohm, 5%, 1/10W, Metallized G		4835	Res, Zero ohm, Chip Jumper	3198 021 90020
	lass	3198 021 53310	4901	Res, Zero ohm, Chip Jumper	3198 021 90020
3595	Res, 220K, 5%, 1/10W, Metallized Glas	3198 021 52240	4903	Res, Zero ohm, Chip Jumper	3198 021 90020
3596	Res, 220K, 5%, 1/10W, Metallized Glas	3198 021 52240	4982	Res, Zero ohm, Chip Jumper	3198 021 90020
3601	Res, 8K2, 5%, 1/6W, Carbon Film. . .	3198 011 08220	5001	Coil, 27u.	3198 018 22790
3603	Res, 100 ohm, 5%, 1/6W, Carbon Film.	3198 011 01010	5002	Coil, 820n	3198 018 18270
3604	Res, 100 ohm, 5%, 1/6W, Carbon Film.	3198 011 01010	5201	Coil, 6u8.	3198 018 16880
3605	Res, 4K7, 5%, 1/10W, Metallized Glass	3198 021 54720	5202	Coil, 10u.	3198 018 21090
3606	Res, 2K2, 5%, 1/6W, Carbon Film. . .	3198 011 02220	5204	Fixed, Inductor, 100MHZ, 80 ohm. . .	3198 018 90020
3607	Res, 2K2, 5%, 1/6W, Carbon Film. . .	3198 011 02220	5205	Fixed, Inductor, 100MHZ, 80 ohm. . .	3198 018 90020
3608	Res, 100 ohm, 5%, 1/6W, Carbon Film.	3198 011 01010	5206	Wire Jumper, 0.58MM.	3198 036 90010
3609	Res, 1K, 5%, 1/6W, Carbon Film . . .	3198 011 01020	5241	Coil, 10u.	3198 018 21090
3610	Res, 8K2, 5%, 1/6W, Carbon Film. . .	3198 011 08220	5242	Coil, 10u.	3198 018 11090
3611	Res, 100 ohm, 5%, 1/10W, Metallized G		5401	Coil, 1m	3198 018 71020
	lass	3198 021 51010	S 5445	Transformer, LOT PSL0T 29'	3128 138 21421
3618	Res, 6K8, 5%, 1/6W, Carbon Film. . .	3198 011 06820	5451	Coil, 33u.	3198 018 73390
3622	Res, 100 ohm, 5%, 1/10W, Metallized G		5452	Fixed, Inductor, 100MHZ, 80 ohm. . .	3198 018 90020
	lass	3198 021 51010	5457	Linear Correction Coil (Used w/CRT A8	
3623	Res, 4K7, 5%, 1/10W, Metallized Glass	3198 021 54720		0ECK272X56)	3128 138 53201
3624	Res, 100 ohm, 5%, 1/6W, Carbon Film.	3198 011 01010	5457	Linear Correction Coil (Used w/CRT A8	
3625	Res, 100 ohm, 5%, 1/6W, Carbon Film.	3198 011 01010		0QCF340X34(N))	3128 138 55881
3626	Res, 4K7, 5%, 1/10W, Metallized Glass	3198 021 54720	5461	Transformer, Signal Driver, SC10015-0	
3627	Res, 4K7, 5%, 1/10W, Metallized Glass	3198 021 54720		O B.	2422 531 02465
3628	Res, 10k, 5%, Carbon	3198 021 51030	5463	Coil, Choke.	3128 138 37021
3630	Res, 2K2, 5%, 1/10W, Metallized Glass	3198 021 52220	5471	Coil, 3u3.	3198 018 73380
3632	Res, Zero ohm, Chip Jumper	3198 021 90020	5472	Coil, 3u3.	3198 018 23380
3635	Res, 100 ohm, 5%, 1/6W, Carbon Film.	3198 011 01010	5480	Coil, 47u (Used w/CRT A80ECK272X56).	2422 535 97337
3636	Res, 100 ohm, 5%, 1/10W, Metallized G		5480	Coil, 4u7 (Used w/CRT A80QCF340X34(N)	2422 535 94213
	lass	3198 021 51010	S 5501	Filter, Mains, 5mH, 2A	2422 549 43432
3637	Res, 75 ohm, 5%, 1/10W, Metallized Gl		S 5520	Transformer, SMT Layer, SS39009-04 B	2422 531 02459
	ass.	3198 021 57590	5521	Fixed, Inductor, 100MHZ, 50R.	3198 018 90010
3639	Res, Zero ohm, Chip Jumper	3198 021 90020	5560	Fixed, Inductor, 100MHZ, 50R.	3198 018 90010
3681	Res, 390 ohm, 5%, 1/10W, Metallized G		5561	Coil, 27u.	3198 018 22790
	lass	3198 021 53910	5562	Fixed, Inductor, 100MHZ, 50R.	3198 018 90010
3682	Res, 3K3, 5%, 1/10W, Metallized Glass	3198 021 53320	5564	Fixed, Inductor, 100MHZ, 50R.	3198 018 90010
3683	Res, 390 ohm, 5%, 1/10W, Metallized G		5602	Coil, 5u6.	3198 018 15680
	lass	3198 021 53910	5603	Coil, 5u6.	3198 018 15680
3684	Res, 560 ohm, 5%, 1/10W, Metallized G		5604	Coil, 5u6.	3198 018 15680
	lass	3198 021 55610	5831	Coil, 6u8.	3198 018 16880

S = Safety Part Be sure to use exact replacement part.

MS3250C321 (continued)

5832	Coil, 6u8.	3198 018 16880	9179	Wire Jumper, 0.58MM.	3198 036 90010
5833	Coil, 6u8.	3198 018 16880	9182	Wire Jumper, 0.58MM.	3198 036 90010
5835	Coil, 12u.	3198 018 31290	9183	Wire Jumper, 0.58MM.	3198 036 90010
6001	Zener Diode, 33 volt	3198 010 23390	9192	Wire Jumper, 0.58MM.	3198 036 90010
6201	Diode, Signal, BAS316.	3198 010 10630	9193	Wire Jumper, 0.58MM.	3198 036 90010
6202	Diode, Signal, BAS316.	3198 010 10630	9406	Wire Jumper, 0.58MM.	3198 036 90010
6206	Zener Diode, 6.8 volt.	3198 020 56880	9407	Wire Jumper, 0.58MM.	3198 036 90010
6400	Res, 1K, 1%, 3/5W, Metal Film.	2312 915 11002	9408	Wire Jumper, 0.58MM.	3198 036 90010
6401	Zener Diode, 47 volt	3198 010 24790	9409	Wire Jumper, 0.58MM.	3198 036 90010
6445	Zener Diode, 10 volt	3198 020 51090	9410	Wire Jumper, 0.58MM.	3198 036 90010
6447	Diode, Signal, 1N4148.	3198 010 10010	9411	Wire Jumper, 0.58MM.	3198 036 90010
6448	Zener Diode, 6.2 volt.	9331 668 30133	9412	Wire Jumper, 0.58MM.	3198 036 90010
6449	Diode, Signal, BAV99	3198 010 10620	9413	Wire Jumper, 0.58MM.	3198 036 90010
6460	Diode, Rect, DG3-7005L	9336 436 10682	9414	Wire Jumper, 0.58MM.	3198 036 90010
6461	Diode, Rect, RGP30J-L7004.	9338 617 60682	9415	Wire Jumper, 0.58MM.	3198 036 90010
6462	Zener Diode, 9.1 volt.	9331 177 80133	9416	Wire Jumper, 0.58MM.	3198 036 90010
6465	Diode, Signal, BAV21	3198 010 10070	9417	Wire Jumper, 0.58MM.	3198 036 90010
6466	Diode, Signal, BAV21	3198 010 10070	9418	Wire Jumper, 0.58MM.	3198 036 90010
6467	Diode, Signal, BAS316.	3198 010 10630	9419	Wire Jumper, 0.58MM.	3198 036 90010
6468	Diode, Signal, BAS316.	3198 010 10630	9421	Wire Jumper, 0.58MM.	3198 036 90010
6469	Diode, Rect, BYD33J	9337 234 20133	9422	Wire Jumper, 0.58MM.	3198 036 90010
6470	Diode, Signal, BAV99	3198 010 10620	9423	Wire Jumper, 0.58MM.	3198 036 90010
6476	Zener Diode, 15 volt	3198 010 21590	9424	Wire Jumper, 0.58MM.	3198 036 90010
6481	Zener Diode, 5.6 volt.	3198 010 25680	9425	Wire Jumper, 0.58MM.	3198 036 90010
6482	Zener Diode, 9.1 volt.	9331 177 80133	9426	Wire Jumper, 0.58MM.	3198 036 90010
6483	Zener Diode, 33 volt	3198 010 23390	9427	Wire Jumper, 0.58MM.	3198 036 90010
6485	Diode, Rect, BYD33J	9337 234 20133	9453	Wire Jumper, 0.58MM.	3198 036 90010
6486	Diode, Rect, EGP20DL-5100.	9322 164 42682	9460	Wire Jumper, 0.58MM.	3198 036 90010
6487	Diode, Rect, BYD33D	9337 234 00133	9463	Wire Jumper, 0.58MM.	3198 036 90010
6488	Diode, Rect, EGP20DL-5100.	9322 164 42682	9500	Wire Jumper, 0.58MM.	3198 036 90010
6500	Diode, Bridge Rect, GBU4JL-7002.	9322 132 55667	9501	Wire Jumper, 0.58MM.	3198 036 90010
6520	Diode, Rect, BYD33D	9337 234 00133	9503	Wire Jumper, 0.58MM.	3198 036 90010
6523	Diode, Signal, 1N4148.	3198 010 10010	S 9506	Wire Jumper, 0.58MM.	3198 036 90010
6524	Diode, Rect, 1N5062	3198 010 10120	S 9507	Wire Jumper, 0.58MM.	3198 036 90010
6525	Diode, Rect, 1N5062	3198 010 10120	9510	Wire Jumper, 0.58MM.	3198 036 90010
6526	Zener Diode, 22 volt	3198 020 52290	9512	Wire Jumper, 0.58MM.	3198 036 90010
6540	Zener Diode, 6.2 volt.	9331 668 30133	9513	Wire Jumper, 0.58MM.	3198 036 90010
6541	Zener Diode, 9.1 volt.	9322 150 08685	9514	Wire Jumper, 0.58MM.	3198 036 90010
6560	Diode, Rect, BYV29X-500.	9340 555 59127	9515	Wire Jumper, 0.58MM.	3198 036 90010
6562	Diode, Rect, EGP20DL-5100.	9322 164 42682	9516	Wire Jumper, 0.58MM.	3198 036 90010
6563	Diode, Signal, BAS316.	3198 010 10630	9518	Wire Jumper, 0.58MM.	3198 036 90010
6565	Diode, Signal, BAV70	9331 849 10215	9520	Wire Jumper, 0.58MM.	3198 036 90010
6566	Diode, Signal, 1N4148.	3198 010 10010	9521	Wire Jumper, 0.58MM.	3198 036 90010
6569	Diode, Signal, BAS316.	3198 010 10630	9522	Wire Jumper, 0.58MM.	3198 036 90010
6570	Zener Diode, 6.8 volt.	3198 020 56880	9524	Wire Jumper, 0.58MM.	3198 036 90010
6580	Diode, Signal, BAS316.	3198 010 10630	9525	Wire Jumper, 0.58MM.	3198 036 90010
6681	LED Signal, IG BAT85	9336 247 60133	9528	Wire Jumper, 0.58MM.	3198 036 90010
6691	LED, VS LTL-10224WHCR.	9322 050 99682	9610	Wire Jumper, 0.58MM.	3198 036 90010
6692	IR, Receiver, TSOP1836UH3V	9322 127 54667	9611	Coil, 27u.	3198 018 22790
6831	Diode, Signal, 1N4148.	3198 010 10010	9612	Wire Jumper, 0.58MM.	3198 036 90010
6901	Res, Zero ohm, Chip Jumper	3198 021 90020	9613	Wire Jumper, 0.58MM.	3198 036 90010
7101	Transistor, NPN, BC847B.	3198 010 42030	9614	Wire Jumper, 0.58MM.	3198 036 90010
7200	IC, SM TDA9588H/N1/3	9352 716 34557	9615	Wire Jumper, 0.58MM.	3198 036 90010
7201	Transistor, NPN, BC847B.	3198 010 42030	9616	Wire Jumper, 0.58MM.	3198 036 90010
7204	Transistor, PNP, BC857B.	3198 010 42150	9617	Wire Jumper, 0.58MM.	3198 036 90010
7205	Transistor, PNP, BC857B.	3198 010 42150	9618	Wire Jumper, 0.58MM.	3198 036 90010
7400	FET, Power, STP3NC60FP	9322 157 37687	9619	Wire Jumper, 0.58MM.	3198 036 90010
7441	Transistor, PNP, BC857B.	3198 010 42150	9620	Wire Jumper, 0.58MM.	3198 036 90010
7443	Transistor, PNP, BC557B.	3198 020 40110	9621	Wire Jumper, 0.58MM.	3198 036 90010
7460	Transistor, NPN, BU4508DX.	9340 550 92127	9622	Wire Jumper, 0.58MM.	3198 036 90010
7461	Transistor, NPN, BC337-25.	3198 020 43530	9623	Wire Jumper, 0.58MM.	3198 036 90010
7462	Transistor, NPN, PDT143ZT	9340 547 00215	9624	Wire Jumper, 0.58MM.	3198 036 90010
7463	Transistor, PNP, BC327-25.	3198 020 43430	9625	Wire Jumper, 0.58MM.	3198 036 90010
7471	IC, TDA8359J/N2.	9352 701 64112	9626	Wire Jumper, 0.58MM.	3198 036 90010
7480	Transistor, NPN, BD135	3198 020 41010	9627	Wire Jumper, 0.58MM.	3198 036 90010
7482	Transistor, NPN, BD135	3198 020 41010	9628	Wire Jumper, 0.58MM.	3198 036 90010
S 7515	Optical Coupler, TCET1104(G)	9322 175 72667	9629	Wire Jumper, 0.58MM.	3198 036 90010
7520	IC, TEA1507P/N1.	9352 673 56112	9630	Wire Jumper, 0.58MM.	3198 036 90010
7521	FET Power STP8NC50FP	9322 160 72687	9631	Wire Jumper, 0.58MM.	3198 036 90010
7522	Transistor, NPN, BC847B(COL)	3198 010 42030	9632	Wire Jumper, 0.58MM.	3198 036 90010
7540	Transistor, NPN, BC547B(COL)	3198 020 40030	9633	Wire Jumper, 0.58MM.	3198 036 90010
7541	Transistor, NPN, PDT114ET	9340 310 10215	9634	Wire Jumper, 0.58MM.	3198 036 90010
7542	Transistor, PNP, BC857B(COL)	3198 010 42150	9637	Wire Jumper, 0.58MM.	3198 036 90010
7560	IC, L78L33ACZ.	9322 134 92676	9638	Wire Jumper, 0.58MM.	3198 036 90010
7561	Transistor, NPN, PDT143ZT	9340 547 00215	9639	Wire Jumper, 0.58MM.	3198 036 90010
7562	Transistor, PNP, BC857B(COL)	3198 010 42150	9640	Wire Jumper, 0.58MM.	3198 036 90010
7564	Transistor, PNP, BC857B(COL)	3198 010 42150	9641	Wire Jumper, 0.58MM.	3198 036 90010
7580	Transistor, PNP, BC857B(COL)	3198 010 42150	9642	Wire Jumper, 0.58MM.	3198 036 90010
7602	IC, M24C08-WBNG.	9322 154 38682	9643	Wire Jumper, 0.58MM.	3198 036 90010
7606	Transistor, NPN, PDT143ZT	9340 547 00215	9644	Wire Jumper, 0.58MM.	3198 036 90010
7801	IC, SM HEF4052BT	9333 729 50653	9645	Wire Jumper, 0.58MM.	3198 036 90010
7831	IC, MSP3445G-PO-B8	9322 160 81682	9646	Wire Jumper, 0.58MM.	3198 036 90010
7901	IC, AN7522N.	9322 158 65667	9648	Wire Jumper, 0.58MM.	3198 036 90010
9001	Wire Jumper, 0.58MM.	3198 036 90010	9650	Wire Jumper, 0.58MM.	3198 036 90010
9121	Wire Jumper, 0.58MM.	3198 036 90010	9654	Wire Jumper, 0.58MM.	3198 036 90010
9122	Wire Jumper, 0.58MM.	3198 036 90010	9655	Wire Jumper, 0.58MM.	3198 036 90010
9171	Wire Jumper, 0.58MM.	3198 036 90010	9656	Wire Jumper, 0.58MM.	3198 036 90010
9172	Wire Jumper, 0.58MM.	3198 036 90010	9657	Wire Jumper, 0.58MM.	3198 036 90010
9173	Wire Jumper, 0.58MM.	3198 036 90010	9658	Wire Jumper, 0.58MM.	3198 036 90010
9175	Wire Jumper, 0.58MM.	3198 036 90010	9659	Wire Jumper, 0.58MM.	3198 036 90010
9176	Wire Jumper, 0.58MM.	3198 036 90010	9660	Wire Jumper, 0.58MM.	3198 036 90010
9178	Wire Jumper, 0.58MM.	3198 036 90010	9661	Wire Jumper, 0.58MM.	3198 036 90010

S = Safety Part Be sure to use exact replacement part.

MS3250C321 (continued)

9662	Wire Jumper, 0.58MM.	3198	036	90010	3332	Res, 1K, 20%, 1/2W, Carbon Film. . .	3198	013	01020
9663	Wire Jumper, 0.58MM.	3198	036	90010	3333	Res, 100 ohm, 5%, 1/6W, Carbon Film.	3198	011	01010
9664	Wire Jumper, 0.58MM.	3198	036	90010	3334	Res, 1K, 20%, 1/2W, Carbon Film. . .	3198	013	01020
9665	Wire Jumper, 0.58MM.	3198	036	90010	3335	Res, 100 ohm, 5%, 1/6W, Carbon Film.	3198	011	01010
9666	Wire Jumper, 0.58MM.	3198	036	90010	3336	Res, 1K, 20%, 1/2W, Carbon Film. . .	3198	013	01020
9668	Wire Jumper, 0.58MM.	3198	036	90010	S 3340	Res, 10 ohm, 5%, 1/2W, Metal Film. . .	2306	207	03109
9669	Wire Jumper, 0.58MM.	3198	036	90010	S 3341	Res, 1 ohm, 5%, 1/3W, Metal Film . . .	2306	204	03108
9670	Wire Jumper, 0.58MM.	3198	036	90010	S 3342	Res, 1 ohm, 5%, 1/3W, Metal Film . . .	2306	204	03108
9672	Wire Jumper, 0.58MM.	3198	036	90010	3343	Res, 1K5, 20%, 1/2W, Carbon Film . . .	3198	013	01520
9674	Wire Jumper, 0.58MM.	3198	036	90010	3344	Res, 22 ohm, 5%, 1/6W, Carbon Film . .	3198	011	02290
9675	Wire Jumper, 0.58MM.	3198	036	90010	3345	VDR DC 1MA/ 50V S MAX 115V A	2322	593	13507
9676	Wire Jumper, 0.58MM.	3198	036	90010	3346	Res, 22 ohm, 5%, 1/6W, Carbon Film . .	3198	011	02290
9678	Wire Jumper, 0.58MM.	3198	036	90010	3347	Res, Zero ohm, Chip Jumper	3198	021	90020
9679	Wire Jumper, 0.58MM.	3198	036	90010	3350	Res, Zero ohm, Chip Jumper	3198	021	90020
9680	Wire Jumper, 0.58MM.	3198	036	90010	3353	Res, Zero ohm, Chip Jumper	3198	021	90020
9683	Wire Jumper, 0.58MM.	3198	036	90010	5342	Coil, 15u.	2422	535	97331
9685	Wire Jumper, 0.58MM.	3198	036	90010	6331	Diode, Signal, BAV21	3198	010	10070
9686	Wire Jumper, 0.58MM.	3198	036	90010	6332	Diode, Signal, BAS316.	3198	010	10630
9687	Wire Jumper, 0.58MM.	3198	036	90010	6333	Diode, Signal, BAV21	3198	010	10070
9688	Wire Jumper, 0.58MM.	3198	036	90010	6335	Diode, Signal, BAV21	3198	010	10070
9689	Wire Jumper, 0.58MM.	3198	036	90010	7330	IC, TDA6107Q/N2.	9352	576	50112
9690	Wire Jumper, 0.58MM.	3198	036	90010	9311	Wire Jumper, 0.58MM.	3198	036	90010
9691	Wire Jumper, 0.58MM.	3198	036	90010	9341	Wire Jumper, 0.58MM.	3198	036	90010
9694	Wire Jumper, 0.58MM.	3198	036	90010	9342	Wire Jumper, 0.58MM.	3198	036	90010
9695	Wire Jumper, 0.58MM.	3198	036	90010	9343	Wire Jumper, 0.58MM.	3198	036	90010
9697	Wire Jumper, 0.58MM.	3198	036	90010					
9698	Wire Jumper, 0.58MM.	3198	036	90010					
9699	Wire Jumper, 0.58MM.	3198	036	90010					
9821	Wire Jumper, 0.58MM.	3198	036	90010					
9822	Wire Jumper, 0.58MM.	3198	036	90010					
9824	Wire Jumper, 0.58MM.	3198	036	90010					
9825	Wire Jumper, 0.58MM.	3198	036	90010					
9827	Wire Jumper, 0.58MM.	3198	036	90010					
9828	Wire Jumper, 0.58MM.	3198	036	90010					
9829	Wire Jumper, 0.58MM.	3198	036	90010					
9830	Wire Jumper, 0.58MM.	3198	036	90010					
9831	Wire Jumper, 0.58MM.	3198	036	90010					
9832	Wire Jumper, 0.58MM.	3198	036	90010					
9834	Wire Jumper, 0.58MM.	3198	036	90010					
9835	Wire Jumper, 0.58MM.	3198	036	90010					
9836	Wire Jumper, 0.58MM.	3198	036	90010					
9837	Wire Jumper, 0.58MM.	3198	036	90010					
9838	Wire Jumper, 0.58MM.	3198	036	90010					
9839	Wire Jumper, 0.58MM.	3198	036	90010					
9840	Wire Jumper, 0.58MM.	3198	036	90010					
9841	Wire Jumper, 0.58MM.	3198	036	90010					
9842	Wire Jumper, 0.58MM.	3198	036	90010					
9843	Wire Jumper, 0.58MM.	3198	036	90010					
9844	Wire Jumper, 0.58MM.	3198	036	90010					
9845	Wire Jumper, 0.58MM.	3198	036	90010					
9846	Wire Jumper, 0.58MM.	3198	036	90010					
9847	Wire Jumper, 0.58MM.	3198	036	90010					
9849	Wire Jumper, 0.58MM.	3198	036	90010					
9851	Wire Jumper, 0.58MM.	3198	036	90010					
9901	Wire Jumper, 0.58MM.	3198	036	90010					
9902	Wire Jumper, 0.58MM.	3198	036	90010					
9903	Wire Jumper, 0.58MM.	3198	036	90010					
9904	Wire Jumper, 0.58MM.	3198	036	90010					
9905	Wire Jumper, 0.58MM.	3198	036	90010					
9911	Wire Jumper, 0.58MM.	3198	036	90010					
9912	Wire Jumper, 0.58MM.	3198	036	90010					
9913	Wire Jumper, 0.58MM.	3198	036	90010					
9914	Wire Jumper, 0.58MM.	3198	036	90010					
9915	Wire Jumper, 0.58MM.	3198	036	90010					
9916	Wire Jumper, 0.58MM.	3198	036	90010					
9918	Wire Jumper, 0.58MM.	3198	036	90010					
9919	Wire Jumper, 0.58MM.	3198	036	90010					
9920	Wire Jumper, 0.58MM.	3198	036	90010					
9921	Wire Jumper, 0.58MM.	3198	036	90010					
9922	Wire Jumper, 0.58MM.	3198	036	90010					
9991	Wire Jumper, 0.58MM.	3198	036	90010					
9993	Wire Jumper, 0.58MM.	3198	036	90010					
9994	Wire Jumper, 0.58MM.	3198	036	90010					
9996	Wire Jumper, 0.58MM.	3198	036	90010					
9997	Wire Jumper, 0.58MM.	3198	036	90010					
9998	Wire Jumper, 0.58MM.	3198	036	90010					
CBA	Main Chassis Assembly.	3139	177	27951					

CRT Panel Parts (Part of Main Chassis)

	CRT Panel Parts (Part of Main Chassis)								
0244	Connector, 5 Pin	2422	025	04853					
0245	Connector, 6 Pin	2422	025	04854					
S 0254	CRT Socket, 9 Pin.	2422	500	80067					
2330	Cap, 100n, 10%, 250v, Metallized Poly ester.	2222	368	90177					
2340	Cap, 10u, 20%, 250v, Electrolytic.	2020	012	93495					
2341	Cap, 3n3, 10%, 500v, Ceramic	3198	019	43320					
2342	Cap, 560p, 5%, 50v, Ceramic.	3198	016	05610					
2343	Cap, 3n3, 10%, 2000v, Ceramic.	2020	558	90529					
2344	Cap, 100n, +80/-20%, 25v, Ceramic.	3198	023	21040					
2345	Cap, 1n, 10%, 500v, Ceramic.	3198	019	41020					
3331	Res, 100 ohm, 5%, 1/6W, Carbon Film.	3198	011	01010					

S = Safety Part Be sure to use exact replacement part.

MS3250C331 - Manual no. 7629

Cabinet & Accessory Parts

	Cabinet & Accessory Parts			2243
	Cabinet & Accessory Parts			2244
AC01	Power Cord	3135	010	05051
AC03	Battery, Zinc, 1.5V (2-Pack)	9299	000	65263
AC04	Cabinet, Back.	3139	124	25312
AC07	Chassis Tray	3139	124	31324
AC09	Clip, Anode Lead	3135	014	04471
S AC10	CRT A80ECK272X56	9301	795	00428
AC11	Customer Control Panel	3139	124	29991
AC12	Coil, Degaussing	2422	549	43977
AC13	Holder, Degaussing (4 Used).	3135	013	01661
AC16	Owners Manual.	3121	235	20121
AC20A	Cabinet, Front - Model MS3250C331.	3139	137	67061
AC20D	Light Guide.	3139	124	26461
AC20F	Knob, Power.	3139	124	29981
AC20J	Speaker, 16R, 5W (2 Used).	2422	264	00401
AC22	Spring	3139	121	26231
AC23	Braid Assembly	3135	010	07891
AC24	Bracket, EPS Module (Not Shown).	3135	016	05211
AC31	Bracket, Rear Jack Panel (Not Shown)	3139	124	37511
REMOTE	Transmitter, Remote, RC2524/17	3139	228	87491

Main Chassis Assembly Parts

	Main Chassis Assembly Parts			2245
	Main Chassis Assembly Parts			2457
1000	Tuner, V+U PLL	2422	542	90108
0122	Heatsink	3139	121	62214
0123	Heatsink, Audio.	3139	121	62501
0124	Heatsink, SOPS	3139	121	62201
0127	Socket, Fuse	2422	088	00271
0129	NTC, Holder.	3139	120	10151
0136	IC-Spring.	3104	301	22081
0137	Spring	3139	121	24581
0138	IC-Spring.	3104	301	22081
0139	Spring for Bracket	3122	121	24786
0140	Spring	3139	121	24581
0141	IC-Spring.	3104	301	22081
0211	Connector, 2 Pin	2422	025	16269
S 0212	Connector, 2 Pin	2422	025	16375
S 0220	Connector, 5 Pin	2422	025	04853
S 0221	Connector, 4 Pin	2422	025	15503
S 0222	Connector, 2 Pin	2422	025	10646
0223	Socket, Cinch, 6 Pin	2422	026	05184
0225	Socket, MDIN, 10 Pin	2422	026	04926
S 0243	Connector, 6 Pin	2422	025	04854
0267	Connector, 3 Pin	2412	020	00725
0280	Connector, 4 Pin	2422	025	12479
1002	SAW Filter, 45MHz75, OFWM1971M	2422	549	44518
1200	Filter, Ceramic, 4MHz5	2422	549	40807
S 1500	Fuse, 4A, 250V, IEC.	2422	086	10914
S 1515	Relay, 12V, 5A G5PA-1.	2422	132	07444
1600	Switch, Tactile.	2422	128	02742
1601	Switch, Tactile.	2422	128	02742
1602	Switch, Tactile.	2422	128	02742
1603	Switch, Tactile.	2422	128	02742
1606	Switch, Tactile.	2422	128	02742
1660	Crystal, 12MHz000.	2422	543	01203
1831	Crystal, Resonator, 18MHz432, 12 Pin, HC49/U A	2422	543	00842
2004	Cap, 47nF, 10%, 50V.	3198	017	04730
2005	Cap, 10u, 20%, 50v, Electrolytic	3198	025	51090
2006	Cap, 470u, 20%, 16v, Electrolytic.	3198	025	24710
2007	Cap, 100n, +80/-20%, 25v, Ceramic.	3198	023	21040
2008	Cap, 100u, 20%, 25v, Electrolytic.	3198	025	31010
2009	Cap, 22n, 10%, 50v, Ceramic.	3198	017	02230
2101	Cap, 470n, +80/-20%, 16v, Ceramic.	3198	017	24740
2102	Cap, 22p, 5%, 50v, Ceramic	3198	016	02290
2103	Cap, 330p, 10%, 50v, Ceramic	3198	017	03310
2104	Cap, 330p, 10%, 50v, Ceramic	3198	017	03310
2105	Cap, 10u, 20%, 50v, Electrolytic	3198	025	51090
2106	Cap, 10u, 20%, 50v, Electrolytic	3198	025	51090
2122	Cap, 330p, 10%, 50v, Ceramic	3198	017	03310
2123	Cap, 2u2, +80/-20%, 10v, Ceramic	3198	017	22250
2124	Cap, 330p, 10%, 50v, Ceramic	3198	017	03310
2125	Cap, 2u2, +80/-20%, 10v, Ceramic	3198	017	22250
2135	Cap, 22p, 5%, 50v, Ceramic	3198	016	02290
2136	Cap, 22p, 5%, 50v, Ceramic	3198	016	02290
2141	Cap, 330p, 10%, 50v, Ceramic	3198	017	03310
2202	Cap, 100n, +80/-20%, 25v, Ceramic.	3198	023	21040
2203	Cap, 100n, +80/-20%, 25v, Ceramic.	3198	023	21040
2204	Cap, 100n, +80/-20%, 25v, Ceramic.	3198	023	21040
2205	Cap, 220n, +80/-20%, 25v, Ceramic.	3198	023	22240
2208	Cap, 100n, +80/-20%, 25v, Ceramic.	3198	023	21040
2209	Cap, 10u, 20%, 50v, Electrolytic	3198	025	51090
2210	Cap, 1u, +80/-20%, 16v, Ceramic.	3198	017	21050
2211	Cap, 470n, +80/-20%, 16v, Ceramic.	3198	017	24740
2216	Cap, 1000u, 20%, 16v, Electrolytic	3198	026	21020
2217	Cap, 22n, 10%, 50v, Ceramic.	3198	017	02230
2219	Cap, 220n, +80/-20%, 25v, Ceramic.	3198	023	22240
2220	Cap, 470n, 10%, 50v, Polyester	3198	014	04740
2221	Cap, 22n, 10%, 50v, Ceramic.	3198	017	02230
2241	Cap, 1n5, 10%, 50v, Ceramic.	3198	017	01520
2242	Cap, 1u, +80/-20%, 16v, Ceramic.	3198	017	21050

Cap, 2n2, 10%, 50v, Ceramic.	3198	017	02220
Cap, 100n, 5%, 63v, Metalized Polyest er.	2222	370	76104
Cap, 470n, +80/-20%, 16v, Ceramic.	3198	017	24740
Cap, 1000u, 20%, 16v, Electrolytic	3198	026	21020
Cap, 22n, 10%, 50v, Ceramic.	3198	017	02230
Cap, 22n, 10%, 50v, Ceramic.	3198	017	02230
Cap, 2u2, 20%, 50v, Electrolytic	3198	025	52280
Cap, 1n, 5%, 50v, Ceramic.	3198	016	01020
Cap, 1n, 5%, 50v, Ceramic.	3198	016	01020
Res, Zero ohm, "Chip" Jumper	3198	021	90020
Cap, 2u2, 20%, 50v, Electrolytic	2020	021	90552
Cap, 470p, 10%, 500v, Ceramic.	3198	019	44710
Cap, 47u, 20%, 50v, Electrolytic	3198	025	54790
Cap, 220u, 20%, 25v, Electrolytic.	3198	025	32210
Cap, 330p, 10%, 50v, Ceramic	3198	017	03310
Cap, 1u, 20%, 50v, Electrolytic.	3198	025	51080
Cap, 47n, +80/-20%, 50v, Ceramic	3198	017	24730
Cap, 1u, 20%, 50v, Electrolytic.	3198	025	51080
Cap, 47u, 20%, 160v, Electrolytic.	2020	021	91139
Cap, 15n, 10%, 50v, Polyester.	3198	014	01530
Cap, 180p, 5%, 50v, Ceramic.	3198	016	01810
Cap, 47u, 20%, 25v, Electrolytic	3198	025	34790
Cap, 430n, 5%, 250v, Metalized Polypr opylene.	2222	479	90022
Cap, 2u2, 20%, 100v, Electrolytic.	2020	021	91331
Cap, 680p, 10%, 500v, Ceramic.	3198	019	46810
Cap, 100p, 5%, 50v, Ceramic.	3198	016	01010
Cap, 680p, 10%, 2000v, Ceramic	2020	558	90485
Cap, 2u2, 5%, 160v, Metalized Polypro pylene	2222	479	90042
Cap, 13n, 5%, 1600v, Polypropylene	2222	375	90157
Cap, 15n, 10%, 400v, Polyester	2222	347	90219
Cap, 10n, 10%, 400v, Polyester	2222	347	90218
Cap, 100n, 10%, 50v, Polyester	3198	014	01040
Cap, 150n, 10%, 63v, Polyester	2222	365	75154
Cap, 100n, 10%, 63v, Polyester	2222	365	75104
Cap, 2n2, 10%, 50v, Ceramic.	3198	017	02220
Cap, 2n2, 10%, 50v, Ceramic.	3198	017	02220
Cap, 4n7, 10%, 50v, Ceramic.	3198	017	04720
Cap, 47u, 20%, 25v, Electrolytic	2020	021	90586
Cap, 470p, 10%, 500v, Ceramic.	3198	019	44710
Cap, 68n, 10%, 250v, Polyester	2222	347	90234
Cap, 4u7, 20%, 250v, Electrolytic.	2020	021	90856
Cap, 470u, 20%, 16v, Electrolytic.	2020	021	91577
Cap, 47u, 20%, 50v, Electrolytic	2020	021	90854
Cap, 1000u, 20%, 16v, Electrolytic	2020	021	91049
Cap, 470u, 20%, 16v, Electrolytic	2020	021	91577
Cap, 1n, 10%, 500v, Ceramic.	3198	019	41020
Cap, 470n, 20%, 275v, Polypropylene.	2022	330	00018
Cap, 2n2, 10%, 1000v, Ceramic.	3198	019	52220
Cap, 2n2, 10%, 1000v, Ceramic.	3198	019	52220
Cap, 470u, 20%, 200v, Electrolytic	2020	024	90626
Cap, 2n2, 10%, 1000v, Ceramic.	3198	019	52220
Cap, 470p, 10%, 50v, Ceramic	3198	017	04710
Cap, 470p, 10%, 1000v, Ceramic	3198	019	64710
Cap, 1n5, 20%, v, Ceramic.	2020	554	90128
Cap, 100n, 10%, 16v, Ceramic	3198	017	01040
Cap, 22u, 20%, 50v, Electrolytic	3198	025	52290
Cap, 100n, 10%, 16v, Ceramic	3198	017	01040
Cap, 1n5, 10%, 2000v, Ceramic.	2020	558	90489
Cap, 470p, 10%, 50v, Ceramic	3198	017	04710
Cap, 2n2, 10%, 50v, Ceramic.	3198	017	02220
Cap, 1n, 10%, 50v, Ceramic	3198	017	01020
Cap, 10n, 10%, 50v, Ceramic.	3198	017	01030
Cap, 10n, 10%, 50v, Ceramic.	3198	017	01030
Cap, 680p, 10%, 1000v, Ceramic	3198	019	68110
Cap, 100u, 20%, 160v, Electrolytic	2020	021	91654
Cap, 1n, 10%, 50v, Ceramic	3198	019	11020
Cap, 100n, 10%, 50v, Polyester	3198	014	01040
Cap, 2u2, 20%, 25v, Electrolytic	2020	021	91353
Cap, 47u, 20%, 25v, Electrolytic	3198	025	34790
Cap, 1u, 20%, 50v, Electrolytic	3198	025	51080
Cap, 47u, 20%, 16v, Electrolytic	3198	028	24790
Cap, 22u, 20%, 50v, Electrolytic	3198	025	52290
Cap, 220n, +80/-20%, 25v, Ceramic.	3198	023	22240
Cap, 100p, 5%, 50v, Ceramic.	3198	016	01010
Cap, 1n, 10%, 50v, Ceramic	3198	017	01020
Cap, 33p, 5%, 50v, Ceramic	3198	016	03390
Cap, 1u, +80/-20%, 16v, Ceramic.	3198	017	21050
Cap, 33p, 5%, 50v, Ceramic	3198	016	03390
Cap, 1u, +80/-20%, 16v, Ceramic.	3198	017	21050
Res, Zero ohm, "Chip" Jumper	3198	021	90020
Res, Zero ohm, "Chip" Jumper	3198	021	90020
Cap, 1p, 25%, 50v, Ceramic	3198	016	01080
Cap, 1p, 25%, 50v, Ceramic	3198	016	01080

S = Safety Part Be sure to use exact replacement part.

MS3250C331 (continued)

2833	Cap, 47p, 5%, 50v, Ceramic	3198 016 04790	3259	Res, 470K, 5%, 1/10W, Metalized Glass	3198 021 54740
2834	Cap, 470p, 5%, 50v, Ceramic.	3198 016 04710	3400	Res, 330 ohm, 5%, 1/6W, Carbon Film.	3198 011 03310
2835	Cap, 220p, 5%, 50v, Ceramic.	3198 016 02210	3401	Res, 33K, 5%, 1/6W, Carbon Film. . .	3198 011 03330
2836	Cap, 1n5, 10%, 50v, Ceramic.	3198 017 01520	3403	Res, 100K, 5%, 1/6W, Carbon Film. . .	3198 011 01040
2837	Cap, 4u7, 20%, 50v, Electrolytic . . .	3198 025 54780	3404	Res, 1K, 5%, 1/6W, Carbon Film. . . .	3198 011 01020
2840	Cap, 100n, +80/-20%, 25v, Ceramic. . .	3198 023 21040	3405	Res, 4R7, 5%, 1/6W, Carbon Film. . . .	3198 011 04780
2841	Cap, 10u, 20%, 50v, Electrolytic . . .	3198 025 51090	3406	Res, 4R7, 5%, 1/6W, Carbon Film. . . .	3198 011 04780
2842	Cap, 100n, +80/-20%, 25v, Ceramic. . .	3198 023 21040	3408	Res, 100 ohm, 5%, 1/6W, Carbon Film.	3198 011 01010
2843	Cap, 10u, 20%, 50v, Electrolytic . . .	3198 025 51090	3410	Res, 10K, 5%, 1/6W, Carbon Film. . . .	3198 011 01030
2844	Cap, 10u, 20%, 50v, Electrolytic . . .	3198 025 51090	3411	Res, 4R7, 5%, 1/3W, Metal Film	2306 204 03478
2845	Cap, 100n, +80/-20%, 25v, Ceramic. . .	3198 023 21040	3441	Res, 100 ohm, 5%, 1/10W, Metalized Gl	
2846	Cap, 100u, 20%, 25v, Electrolytic. . .	3198 025 31010		ass.	3198 021 51010
2849	Cap, 1n, 5%, 50v, Ceramic.	3198 016 01020	3442	Res, Zero ohm, "Chip" Jumper	3198 021 90020
2850	Cap, 1n, 5%, 50v, Ceramic.	3198 016 01020	3443	Res, 1M, 5%, 1/10W, Metalized Glass.	3198 021 51050
2851	Res, Zero ohm, "Chip" Jumper	3198 021 90020	3445	Res, 15K, 5%, 1/6W, Carbon Film. . . .	3198 011 01530
2852	Cap, 1n, 5%, 50v, Ceramic.	3198 016 01020	3446	Res, 5K6, 5%, 1/6W, Carbon Film. . . .	3198 011 05620
2853	Res, Zero ohm, "Chip" Jumper	3198 021 90020	3447	Res, 180 ohm, 5%, 1/6W, Carbon Film.	3198 011 01810
2854	Cap, 1n, 5%, 50v, Ceramic.	3198 016 01020	3448	Res, 820 ohm, 5%, 1/6W, Carbon Film.	3198 011 08210
2855	Cap, 33p, 5%, 50v, Ceramic.	3198 016 03390	3449	Res, 68 ohm, 5%, 1/6W, Carbon Film. . .	3198 011 06890
2856	Cap, 47p, 5%, 50v, Ceramic.	3198 016 04790	3450	Res, 33 ohm, 5%, 1/6W, Carbon Film. . .	3198 011 03390
2857	Cap, 150p, 5%, 50v, Ceramic.	3198 016 01510	S 3451	Res, 10 ohm, 5%, 1/3W, Metal Film. . .	2306 204 03109
2860	Cap, 180p, 5%, 50v, Ceramic.	3198 016 01810	3452	Res, 5K6, 1%, 3/5W, Metal Film	2312 915 15602
2894	Cap, 220p, 5%, 50v, Ceramic.	3198 016 02210	3453	Res, 1K, 5%, 1/6W, Carbon Film. . . .	3198 011 01020
2895	Cap, 560p, 5%, 50v, Ceramic.	3198 016 05610	3454	Res, 2K, 1%, 3/5W, Metal Film.	2312 915 12002
2897	Cap, 390p, 5%, 50v, Ceramic.	3198 016 03910	3455	Res, 6R8, 5%, 1 1/3W, Metal Film	3198 012 26880
2898	Cap, 10n, 10%, 50v, Ceramic.	3198 017 01030	3458	Res, 1K, 5%, 1/6W, Carbon Film. . . .	3198 011 01020
2902	Cap, 1000u, 20%, 16v, Electrolytic . . .	3198 026 21020	3459	Res, 15K, 5%, 1 1/3W, Metal Film	3198 012 21530
2903	Cap, 1u, 20%, 50v, Electrolytic.	3198 025 51080	3460	Res, 3K9, 5%, 1/6W, Carbon Film. . . .	3198 011 03920
2904	Cap, 470n, +80/-20%, 16v, Ceramic. . . .	3198 017 24740	3463	Res, 33 ohm, 5%, 1/6W, Carbon Film. . .	3198 011 03390
2905	Cap, 1n, 10%, 50v, Ceramic.	3198 017 01020	3465	Res, 27K, 1%, 3/5W, Metal Film	2312 915 12703
2906	Cap, 470n, +80/-20%, 16v, Ceramic. . . .	3198 017 24740	3468	Res, 180 ohm, 5%, 1/6W, Carbon Film.	3198 011 01810
2907	Cap, 1n, 10%, 50v, Ceramic.	3198 017 01020	3469	Res, 3K3, 5%, 1/6W, Carbon Film. . . .	3198 011 03320
2908	Cap, 10u, 20%, 50v, Electrolytic	3198 025 51090	3470	Res, 150K, 5%, 1/10W, Metalized Glass	3198 021 51540
2910	Cap, 3n3, 10%, 50v, Ceramic.	3198 017 03320	3471	Res, 4R7, 1%, 3/5W, Metal Film	2312 915 14708
2911	Cap, 3n3, 10%, 50v, Ceramic.	3198 017 03320	3472	Res, 2R2, 1%, 3/5W, Metal Film	2312 915 12208
2950	Cap, 330p, 5%, 50v, Ceramic.	3198 016 03310	3473	Res, 3R3, 1%, 3/5W, Metal Film	2312 915 13308
3000	Res, 100 ohm, 5%, 1/6W, Carbon Film.	3198 011 01010	3474	Res, 2K2, 1%, 3/5W, Metal Film.	2312 915 12202
3001	Res, 100 ohm, 5%, 1/6W, Carbon Film.	3198 011 01010	3475	Res, 2K2, 1%, 3/5W, Metal Film.	2312 915 12202
3002	Res, Zero ohm, "Chip" Jumper	3198 021 90020	3477	Res, 150 ohm, 5%, 1/6W, Carbon Film.	3198 011 01510
3003	Res, 1K5, 5%, 1/10W, Metalized Glass	3198 021 51520	3478	Res, 150 ohm, 5%, 1/6W, Carbon Film.	3198 011 01510
3004	Res, 8K2, 5%, 1/10W, Metalized Glass	3198 021 58220	3479	Res, 2K7, 5%, 1/10W, Metalized Glass	3198 021 52720
3005	Res, 100 ohm, 5%, 1/6W, Carbon Film.	3198 011 01010	3480	Res, 1R5, 5%, 1/4W, Carbon Film. . . .	2120 101 74158
3101	Res, 68 ohm, 5%, 1/6W, Carbon Film. . .	3198 011 06890	3481	Res, 15K, 1%, 3/5W, Metal Film.	2312 915 11503
3102	Res, 1K, 5%, 1/10W, Metalized Glass.	3198 021 51020	3482	Res, 6K8, 1%, 3/5W, Metal Film.	2312 915 16802
3103	Res, 150 ohm, 5%, 1/6W, Carbon Film.	3198 011 01510	3484	Res, 3K9, 5%, 1/6W, Carbon Film. . . .	3198 011 03920
3104	Res, 220K, 5%, 1/10W, Metalized Glass	3198 021 52240	3486	Res, 33 ohm, 5%, 2 1/2W, Metal Film.	3198 012 33390
3105	Res, 150 ohm, 5%, 1/6W, Carbon Film.	3198 011 01510	3488	Res, 4R7, 5%, 1/2W, Metal Film	2306 207 03478
3106	Res, 220K, 5%, 1/10W, Metalized Glass	3198 021 52240	3490	Res, 8K2, 5%, 1/6W, Carbon Film. . . .	3198 011 08220
3123	Res, 150 ohm, 5%, 1/6W, Carbon Film.	3198 011 01510	3492	Res, 1K, 5%, 1/10W, Metalized Glass.	3198 021 51020
3124	Res, 47K, 5%, 1/10W, Metalized Glass	3198 021 54730	3493	Res, 2R2, 5%, 1/3W, Metal Film.	2306 204 03228
3125	Res, 150 ohm, 5%, 1/6W, Carbon Film.	3198 011 01510	3494	Res, 4R7, 5%, 1/2W, Metal Film	2306 207 03478
3126	Res, 47K, 5%, 1/10W, Metalized Glass	3198 021 54730	3495	Res, 22K, 5%, 1/10W, Metalized Glass	3198 021 52230
3135	Res, 75 ohm, 5%, 1/6W, Carbon Film. . .	3198 011 07590	3496	Res, 100K, 5%, 1/10W, Metalized Glass	3198 021 51040
3136	Res, 100 ohm, 5%, 1/6W, Carbon Film.	3198 011 01010	3497	Res, 100K, 5%, 1/10W, Metalized Glass	3198 021 51040
3138	Wire Jumper, 0.58MM.	3198 036 90010	3498	Res, 12K, 5%, 1/10W, Metalized Glass	3198 021 51230
3141	Res, 1K, 5%, 1/6W, Carbon Film	3198 011 01020	3499	Res, 10K, 5%, 1/10W, Metalized Glass	3198 021 51030
3200	Res, 390 ohm, 5%, 1/6W, Carbon Film.	3198 011 03910	S 3500	Res, 3M3, 5%, 1/2W, Metalized Glass.	2322 242 13335
3201	Res, 100 ohm, 5%, 1/6W, Carbon Film.	3198 011 01010	S 3501	Res, 3M3, 5%, 1/2W, Metalized Glass.	2322 242 13335
3202	Res, 100 ohm, 5%, 1/6W, Carbon Film.	3198 011 01010	S 3504	PTC, DC, 120V, P3020 B.	2120 661 00025
3203	Res, 100 ohm, 5%, 1/6W, Carbon Film.	3198 011 01010	S 3506	Res, 1M5, 5%, 1/2W, Metalized Glass.	2322 242 13155
3204	Res, 22K, 5%, 1/6W, Carbon Film. . . .	3198 011 02230	S 3507	Surge Protector.	2422 549 43073
3206	Res, 270K, 5%, 1/8W, Metalized Glass	2322 730 61274	S 3508	Res, 220 ohm, 20%, 1/2W, Carbon Film	3198 013 02210
3207	Res, 1K, 5%, 1/6W, Carbon Film	3198 011 01020	S 3510	NTC, DC, B57237, 3W1, 4R7, 20%	2122 612 00056
3208	Res, 220 ohm, 5%, 1/10W, Metalized Gl		3519	Res, 270 ohm, 5%, 1/6W, Carbon Film.	3198 011 02710
	ass.	3198 021 52210	3520	Res, 1K2, 5%, 1/10W, Metalized Glass	3198 021 51220
3209	Res, 68 ohm, 5%, 1/10W, Metalized Gla		3521	Res, 4R7, 5%, 1/6W, Carbon Film. . . .	3198 011 04780
	ss.	3198 021 56890	3522	Res, 330K, 5%, 1/10W, Metalized Glass	3198 021 53340
3212	Res, 470 ohm, 5%, 1/10W, Metalized Gl		S 3523	Res, 100 ohm, 5%, 1/3W, Metal Film . . .	2306 204 03101
	ass.	3198 021 54710	3524	Res, 56K, 5%, 1/10W, Metalized Glass	3198 021 55630
3213	Res, 560 ohm, 5%, 1/6W, Carbon Film.	3198 011 05610	3525	Res, 1K, 5%, 1/10W, Metalized Glass.	3198 021 51020
3217	Res, 330K, 5%, 1/10W, Metalized Glass	3198 021 53340	3526	Res, 0R1, 5%, 3/5W, Metal Film	3198 012 11070
3218	Res, 82K, 5%, 1/10W, Metalized Glass	3198 021 58230	3527	Res, 0R33, 5%, 3/5W, Metal Film. . . .	3198 012 13370
3219	Res, 2K2, 5%, 1/10W, Metalized Glass	3198 021 52220	3528	Res, Zero ohm, "Chip" Jumper	3198 021 90020
3220	Res, 100 ohm, 5%, 1/6W, Carbon Film.	3198 011 01010	3529	Res, 47K, 5%, 1/10W, Metalized Glass	3198 021 54730
3221	Res, 560 ohm, 5%, 1/6W, Carbon Film.	3198 011 05610	3530	Res, 10K, 5%, 1/10W, Metalized Glass	3198 021 51030
3222	Res, 100 ohm, 5%, 1/6W, Carbon Film.	3198 011 01010	3531	Res, 4K7, 5%, 1/10W, Metalized Glass	3198 021 54720
3226	Res, 560 ohm, 5%, 1/10W, Metalized Gl		S 3532	Res, 2K2, 5%, 1/3W, Metal Film	2306 204 03222
	ass.	3198 021 55610	3541	Res, 470 ohm, 5%, 1/10W, Metalized Gl	
3235	Res, 100 ohm, 5%, 1/6W, Carbon Film.	3198 011 01010		ass.	3198 021 54710
3241	Res, 22K, 5%, 1/10W, Metalized Glass	3198 021 52230	3542	Res, 1K5, 5%, 1/10W, Metalized Glass	3198 021 51520
3242	Res, 12K, 5%, 1/10W, Metalized Glass	3198 021 51230	3543	Res, 82K, 1%, 3/5W, Metal Film	2312 915 18203
3244	Res, 820 ohm, 5%, 1/6W, Carbon Film.	3198 011 08210	3544	Res, 4K7, 1%, 1/8W, Metalized Glass.	2322 734 64702
3245	Res, 39K, 1%, 1/8W, Metalized Glass.	2322 734 63903	3545	Res, 270K, 5%, 1/8W, Metalized Glass	2322 730 61274
3246	Res, 10K, 5%, 1/10W, Metalized Glass	3198 021 51030	3548	Res, 15K, 5%, 1/10W, Metalized Glass	3198 021 51530
3247	Res, 470K, 5%, 1/10W, Metalized Glass	3198 021 54740	3552	Res, 4K7, 5%, 1/10W, Metalized Glass	3198 021 54720
3248	Res, 33K, 5%, 1/10W, Metalized Glass	3198 021 53330	3557	Res, 1K, 5%, 1/10W, Metalized Glass.	3198 021 51020
3249	Res, 820 ohm, 5%, 1/6W, Carbon Film.	3198 011 08210	3561	Res, 100 ohm, 5%, 1/6W, Carbon Film.	3198 011 01010
3250	Res, 8K2, 5%, 1/6W, Carbon Film. . . .	3198 011 08220	3562	Res, 12K, 5%, 1/10W, Metalized Glass	3198 021 51230
3251	Res, 100 ohm, 5%, 1/6W, Carbon Film.	3198 011 01010	3563	Res, 5K6, 5%, 1/10W, Metalized Glass	3198 021 55620
3256	Res, 1K, 5%, 1/10W, Metalized Glass.	3198 021 51020	3564	Res, 0R1, 5%, 1 1/3W, Metal Film	3198 012 21070
3257	Res, 10M, 5%, 1/10W, Metalized Glass	3198 021 51060	3565	Res, 330 ohm, 5%, 1W, Metal Film	3198 012 13310
3258	Res, 100K, 5%, 1/10W, Metalized Glass	3198 021 51040	3566	Res, 2K2, 5%, 1/10W, Metalized Glass	3198 021 52220

S = Safety Part. Be sure to use exact replacement part.

MS3250C331 (continued)

3569	Res, 5K6, 5%, 1/10W, Metalized Glass	3198 021 55620	4810	Res, Zero ohm, "Chip" Jumper	3198 021 90020
3580	Res, 47K, 5%, 1/10W, Metalized Glass	3198 021 54730	4831	Res, Zero ohm, "Chip" Jumper	3198 021 90020
3594	Res, 330 ohm, 5%, 1/10W, Metalized Gl		4833	Res, Zero ohm, "Chip" Jumper	3198 021 90020
	ass.	3198 021 53310	4835	Res, Zero ohm, "Chip" Jumper	3198 021 90020
3595	Res, 220K, 5%, 1/10W, Metalized Glass	3198 021 52240	4901	Res, Zero ohm, "Chip" Jumper	3198 021 90020
3596	Res, 220K, 5%, 1/10W, Metalized Glass	3198 021 52240	4903	Res, Zero ohm, "Chip" Jumper	3198 021 90020
3601	Res, 8K2, 5%, 1/6W, Carbon Film. . .	3198 011 08220	4982	Res, Zero ohm, "Chip" Jumper	3198 021 90020
3603	Res, 100 ohm, 5%, 1/6W, Carbon Film.	3198 011 01010	5001	Coil, 27u.	3198 018 22790
3604	Res, 100 ohm, 5%, 1/6W, Carbon Film.	3198 011 01010	5002	Coil, 820n	3198 018 18270
3605	Res, 4K7, 5%, 1/10W, Metalized Glass	3198 021 54720	5201	Coil, 6u8.	3198 018 16880
3606	Res, 2K2, 5%, 1/6W, Carbon Film. . .	3198 011 02220	5202	Wire Jumper, 0.58MM.	3198 036 90010
3607	Res, 2K2, 5%, 1/6W, Carbon Film. . .	3198 011 02220	5204	Fixed, Inductor, 100MHZ, 80 ohm. . .	3198 018 90020
3608	Res, 470 ohm, 5%, 1/6W, Carbon Film.	3198 011 04710	5205	Fixed, Inductor, 100MHZ, 80 ohm. . .	3198 018 90020
3609	Res, 1K, 5%, 1/6W, Carbon Film. . .	3198 011 01020	5206	Fixed, Inductor, 100MHZ, 80 ohm. . .	3198 018 90020
3610	Res, 8K2, 5%, 1/6W, Carbon Film. . .	3198 011 08220	5241	Wire Jumper, 0.58MM.	3198 036 90010
3611	Res, 100 ohm, 5%, 1/10W, Metalized Gl		5242	Coil, 10u.	3198 018 11090
	ass.	3198 021 51010	5401	Coil, 1m	3198 018 71020
3618	Res, 6K8, 5%, 1/6W, Carbon Film. . .	3198 011 06820	S 5445	Transformer, PSL0T	3128 138 21421
3622	Res, 470 ohm, 5%, 1/10W, Metalized Gl		5451	Coil, 33u.	3198 018 73390
	ass.	3198 021 54710	5452	Fixed, Inductor, 100MHZ, 80 ohm. . .	3198 018 90020
3623	Res, 4K7, 5%, 1/10W, Metalized Glass	3198 021 54720	5457	Coil, Linear	3128 138 53201
3624	Res, 100 ohm, 5%, 1/6W, Carbon Film.	3198 011 01010	5461	Transformer, Signal Driver	2422 531 02478
3625	Res, 100 ohm, 5%, 1/6W, Carbon Film.	3198 011 01010	5463	Coil, Choke.	3128 138 37021
3626	Res, 4K7, 5%, 1/10W, Metalized Glass	3198 021 54720	5471	Coil, 3u3.	3198 018 73380
3627	Res, 4K7, 5%, 1/10W, Metalized Glass	3198 021 54720	5472	Coil, 3u3.	3198 018 23380
3628	Res, 10K, 5%, 1/10W, Metalized Glass	3198 021 51030	5480	Coil, 47u.	2422 535 97337
3630	Res, 2K2, 5%, 1/10W, Metalized Glass	3198 021 52220	S 5501	Filter, Mains, 5mH, 2A	2422 549 43432
3632	Res, Zero ohm, "Chip" Jumper	3198 021 90020	S 5520	Transformer, Layer, SS39009-04 B . .	2422 531 02459
3635	Res, 100 ohm, 5%, 1/6W, Carbon Film.	3198 011 01010	5521	Fixed, Inductor, 100MHZ, 50R. . . .	3198 018 90010
3636	Res, 100 ohm, 5%, 1/10W, Metalized Gl		5560	Fixed, Inductor, 100MHZ, 50R. . . .	3198 018 90010
	ass.	3198 021 51010	5561	Coil, 27u.	3198 018 22790
3637	Res, 75 ohm, 5%, 1/10W, Metalized Gla		5562	Fixed, Inductor, 100MHZ, 50R. . . .	3198 018 90010
	ss.	3198 021 57590	5564	Fixed, Inductor, 100MHZ, 50R. . . .	3198 018 90010
3639	Res, Zero ohm, "Chip" Jumper	3198 021 90020	5602	Coil, 5u6.	3198 018 15680
3681	Res, 390 ohm, 5%, 1/10W, Metalized Gl		5603	Coil, 5u6.	3198 018 15680
	ass.	3198 021 53910	5604	Coil, 5u6.	3198 018 15680
3682	Res, 3K3, 5%, 1/10W, Metalized Glass	3198 021 53320	5831	Coil, 6u8.	3198 018 16880
3683	Res, 390 ohm, 5%, 1/10W, Metalized Gl		5832	Coil, 6u8.	3198 018 16880
	ass.	3198 021 53910	5833	Coil, 6u8.	3198 018 16880
3684	Res, 560 ohm, 5%, 1/10W, Metalized Gl		5835	Coil, 12u.	3198 018 31290
	ass.	3198 021 55610	6001	Zener Diode, 33 volt	3198 010 23390
3685	Res, 560 ohm, 5%, 1/10W, Metalized Gl		6201	Diode, Signal, BAS316.	3198 010 10630
	ass.	3198 021 55610	6202	Diode, Signal, BAS316.	3198 010 10630
3686	Res, 1K5, 5%, 1/10W, Metalized Glass	3198 021 51520	6206	Zener Diode, 6.8 volt.	3198 020 56880
3691	Res, 330 ohm, 5%, 1/10W, Metalized Gl		6400	Res, 1K, 1%, 3/5W, Metal Film. . . .	2312 915 11002
	ass.	3198 021 53310	6401	Zener Diode, 47 volt	3198 010 24790
3693	Res, 220 ohm, 5%, 1/10W, Metalized Gl		6445	Zener Diode, 10 volt	3198 020 51090
	ass.	3198 021 52210	6447	Diode, Signal, 1N4148.	3198 010 10010
3694	Res, 4K7, 5%, 1/10W, Metalized Glass	3198 021 54720	6448	Zener Diode, 6.2 volt.	9331 668 30133
3831	Res, 47K, 5%, 1/10W, Metalized Glass	3198 021 54730	6449	Diode, Signal, BAV99	3198 010 10620
3832	Res, 100 ohm, 5%, 1/6W, Carbon Film.	3198 011 01010	6460	Diode, Rect, DG3-7005L.	9336 436 10682
3833	Res, 100 ohm, 5%, 1/6W, Carbon Film.	3198 011 01010	6461	Diode, Rect, RGP30J-L7004	9338 617 60682
3836	Res, 1K, 5%, 1/10W, Metalized Glass.	3198 021 51020	6462	Zener Diode, 9.1 volt.	9331 177 80133
3837	Res, 100 ohm, 5%, 1/6W, Carbon Film.	3198 011 01010	6465	Diode, Signal, BAV21	3198 010 10070
3838	Res, 1K, 5%, 1/10W, Metalized Glass.	3198 021 51020	6466	Diode, Signal, BAV21	3198 010 10070
3839	Res, 100 ohm, 5%, 1/6W, Carbon Film.	3198 011 01010	6467	Diode, Signal, BAS316.	3198 010 10630
3843	Res, 2K2, 5%, 1/10W, Metalized Glass	3198 021 52220	6468	Diode, Signal, BAS316.	3198 010 10630
3901	Res, 1K, 5%, 1/10W, Metalized Glass.	3198 021 51020	6469	Diode, Rect, BYD33J	9337 234 20133
3902	Res, 3K3, 5%, 1/10W, Metalized Glass	3198 021 53320	6470	Diode, Signal, BAV99	3198 010 10620
3903	Res, 3K3, 5%, 1/10W, Metalized Glass	3198 021 53320	6476	Zener Diode, 15 volt	3198 010 21590
3904	Res, 10K, 5%, 1/10W, Metalized Glass	3198 021 51030	6481	Zener Diode, 5.6 volt.	3198 010 25680
3905	Res, 3K3, 5%, 1/10W, Metalized Glass	3198 021 53320	6482	Zener Diode, 9.1 volt.	9331 177 80133
3906	Res, 10K, 5%, 1/10W, Metalized Glass	3198 021 51030	6483	Zener Diode, 33 volt	3198 010 23390
3907	Res, 8K2, 5%, 1/10W, Metalized Glass	3198 021 58220	6485	Diode, Rect, BYD33J	9337 234 20133
4001	Res, Zero ohm, "Chip" Jumper	3198 021 90020	6486	Diode, Rect, EGP20DL-5100	9322 164 42682
4002	Res, Zero ohm, "Chip" Jumper	3198 021 90020	6487	Diode, Rect, BYD33D	9337 234 00133
4101	Res, Zero ohm, "Chip" Jumper	3198 021 90020	6488	Diode, Rect, EGP20DL-5100	9322 164 42682
4102	Res, Zero ohm, "Chip" Jumper	3198 021 90020	6500	Diode, Bridge Rect, GBU4JL-7002 . .	9322 132 55667
4104	Res, Zero ohm, "Chip" Jumper	3198 021 90020	6520	Diode, Rect, BYD33D	9337 234 00133
4121	Res, Zero ohm, "Chip" Jumper	3198 021 90020	6523	Diode, Signal, 1N4148.	3198 010 10010
4181	Res, Zero ohm, "Chip" Jumper	3198 021 90020	6524	Diode, Rect, 1N5062	3198 010 10120
4209	Res, Zero ohm, "Chip" Jumper	3198 021 90020	6525	Diode, Rect, 1N5062	3198 010 10120
4216	Res, Zero ohm, "Chip" Jumper	3198 021 90020	6526	Zener Diode, 22 volt	3198 020 52290
4217	Res, Zero ohm, "Chip" Jumper	3198 021 90020	6540	Zener Diode, 6.2 volt.	9331 668 30133
4401	Res, Zero ohm, "Chip" Jumper	3198 021 90020	6541	Zener Diode, 10 volt	3198 020 51090
4402	Res, Zero ohm, "Chip" Jumper	3198 021 90020	6560	Diode, Rect, BYV29X-500	9340 555 59127
4430	Res, Zero ohm, "Chip" Jumper	3198 021 90020	6562	Diode, Rect, EGP20DL-5100	9322 164 42682
4500	Res, Zero ohm, "Chip" Jumper	3198 021 90020	6563	Diode, Signal, BAS316.	3198 010 10630
4601	Res, Zero ohm, "Chip" Jumper	3198 021 90020	6565	Diode, Signal, BAV70	9331 849 10215
4613	Res, Zero ohm, "Chip" Jumper	3198 021 90020	6566	Diode, Signal, 1N4148.	3198 010 10010
4614	Res, Zero ohm, "Chip" Jumper	3198 021 90020	6569	Diode, Signal, BAS316.	3198 010 10630
4615	Res, Zero ohm, "Chip" Jumper	3198 021 90020	6570	Zener Diode, 6.8 volt.	3198 020 56880
4617	Res, Zero ohm, "Chip" Jumper	3198 021 90020	6580	Diode, Signal, BAS316.	3198 010 10630
4619	Res, Zero ohm, "Chip" Jumper	3198 021 90020	6681	Diode, Signal, BAT85	9336 247 60133
4622	Res, Zero ohm, "Chip" Jumper	3198 021 90020	6691	LED, LTL-10224WHCR.	9322 050 99682
4623	Res, Zero ohm, "Chip" Jumper	3198 021 90020	6692	IR Receiver, TSOP1836UH3V	9322 127 54667
4691	Res, Zero ohm, "Chip" Jumper	3198 021 90020	6831	Diode, Signal, 1N4148.	3198 010 10010
4692	Res, Zero ohm, "Chip" Jumper	3198 021 90020	6901	Res, Zero ohm, "Chip" Jumper	3198 021 90020
4693	Res, Zero ohm, "Chip" Jumper	3198 021 90020	7101	Transistor, NPN, BC847B.	3198 010 42030
4696	Res, Zero ohm, "Chip" Jumper	3198 021 90020	7200	IC, TDA9588H/N1/3/0832	9352 716 34557
4804	Res, Zero ohm, "Chip" Jumper	3198 021 90020	7201	Transistor, NPN, BC847B.	3198 010 42030
4808	Res, Zero ohm, "Chip" Jumper	3198 021 90020	7204	Transistor, PNP, BC857B.	3198 010 42150

S = Safety Part. Be sure to use exact replacement part.

MS3250C331 (continued)

7205	Transistor, PNP, BC857B.	3198 010 42150	9623	Wire Jumper, 0.58MM.	3198 036 90010
7400	FET Power, STP3NC60FP.	9322 157 37687	9624	Wire Jumper, 0.58MM.	3198 036 90010
7441	Transistor, PNP, BC857B.	3198 010 42150	9625	Wire Jumper, 0.58MM.	3198 036 90010
7443	Transistor, PNP, BC857B.	3198 020 40110	9626	Wire Jumper, 0.58MM.	3198 036 90010
7460	Transistor, NPN, BU4508DX.	9340 550 92127	9627	Wire Jumper, 0.58MM.	3198 036 90010
7461	Transistor, NPN, BC337-25.	3198 020 43530	9628	Wire Jumper, 0.58MM.	3198 036 90010
7462	Transistor, NPN, PDTTC143ZT.	9340 547 00215	9629	Wire Jumper, 0.58MM.	3198 036 90010
7463	Transistor, PNP, BC327-25.	3198 020 43430	9630	Wire Jumper, 0.58MM.	3198 036 90010
7471	IC, TDA8359J/N2.	9352 701 64112	9631	Wire Jumper, 0.58MM.	3198 036 90010
7480	Transistor, NPN, BD135.	3198 020 41010	9632	Wire Jumper, 0.58MM.	3198 036 90010
7482	Transistor, NPN, BD135.	3198 020 41010	9633	Wire Jumper, 0.58MM.	3198 036 90010
S 7515	Optic, Coupler, TCET1104(G).	9322 175 72667	9634	Wire Jumper, 0.58MM.	3198 036 90010
7520	IC, TEA1507P/N1.	9352 673 56112	9637	Wire Jumper, 0.58MM.	3198 036 90010
7521	FET Power, STP8NC50FP.	9322 160 72687	9638	Wire Jumper, 0.58MM.	3198 036 90010
7522	Transistor, NPN, BC847B.	3198 010 42030	9639	Wire Jumper, 0.58MM.	3198 036 90010
7540	Transistor, NPN, BC547B.	3198 020 40030	9640	Wire Jumper, 0.58MM.	3198 036 90010
7541	Transistor, NPN, PDTTC144ET.	9340 310 10215	9641	Wire Jumper, 0.58MM.	3198 036 90010
7542	Transistor, PNP, BC857B.	3198 010 42150	9642	Wire Jumper, 0.58MM.	3198 036 90010
7560	IC, L78L33ACZ.	9322 134 92676	9643	Wire Jumper, 0.58MM.	3198 036 90010
7561	Transistor, NPN, PDTTC143ZT.	9340 547 00215	9644	Wire Jumper, 0.58MM.	3198 036 90010
7580	Transistor, NPN, BC857B.	3198 010 42150	9645	Wire Jumper, 0.58MM.	3198 036 90010
7602	IC, M24C08-WBNG.	9322 154 38682	9646	Wire Jumper, 0.58MM.	3198 036 90010
7606	Transistor, NPN, PDTTC143ZT.	9340 547 00215	9648	Wire Jumper, 0.58MM.	3198 036 90010
7831	IC, MSP3445G-PO-B8.	9322 160 81682	9650	Wire Jumper, 0.58MM.	3198 036 90010
7901	IC, AN7522N.	9322 181 41682	9654	Wire Jumper, 0.58MM.	3198 036 90010
9001	Wire Jumper, 0.58MM.	3198 036 90010	9655	Wire Jumper, 0.58MM.	3198 036 90010
9171	Wire Jumper, 0.58MM.	3198 036 90010	9656	Wire Jumper, 0.58MM.	3198 036 90010
9172	Wire Jumper, 0.58MM.	3198 036 90010	9657	Wire Jumper, 0.58MM.	3198 036 90010
9173	Wire Jumper, 0.58MM.	3198 036 90010	9658	Wire Jumper, 0.58MM.	3198 036 90010
9175	Wire Jumper, 0.58MM.	3198 036 90010	9659	Wire Jumper, 0.58MM.	3198 036 90010
9176	Wire Jumper, 0.58MM.	3198 036 90010	9660	Wire Jumper, 0.58MM.	3198 036 90010
9178	Wire Jumper, 0.58MM.	3198 036 90010	9661	Wire Jumper, 0.58MM.	3198 036 90010
9179	Wire Jumper, 0.58MM.	3198 036 90010	9662	Wire Jumper, 0.58MM.	3198 036 90010
9182	Wire Jumper, 0.58MM.	3198 036 90010	9663	Wire Jumper, 0.58MM.	3198 036 90010
9183	Wire Jumper, 0.58MM.	3198 036 90010	9664	Wire Jumper, 0.58MM.	3198 036 90010
9192	Wire Jumper, 0.58MM.	3198 036 90010	9665	Wire Jumper, 0.58MM.	3198 036 90010
9193	Wire Jumper, 0.58MM.	3198 036 90010	9666	Wire Jumper, 0.58MM.	3198 036 90010
9406	Wire Jumper, 0.58MM.	3198 036 90010	9668	Wire Jumper, 0.58MM.	3198 036 90010
9407	Wire Jumper, 0.58MM.	3198 036 90010	9669	Wire Jumper, 0.58MM.	3198 036 90010
9408	Wire Jumper, 0.58MM.	3198 036 90010	9670	Wire Jumper, 0.58MM.	3198 036 90010
9409	Wire Jumper, 0.58MM.	3198 036 90010	9672	Coil, 27u.	2422 535 95366
9410	Wire Jumper, 0.58MM.	3198 036 90010	9674	Wire Jumper, 0.58MM.	3198 036 90010
9411	Wire Jumper, 0.58MM.	3198 036 90010	9675	Wire Jumper, 0.58MM.	3198 036 90010
9412	Wire Jumper, 0.58MM.	3198 036 90010	9676	Wire Jumper, 0.58MM.	3198 036 90010
9413	Wire Jumper, 0.58MM.	3198 036 90010	9678	Coil, 27u.	2422 535 95366
9414	Wire Jumper, 0.58MM.	3198 036 90010	9679	Wire Jumper, 0.58MM.	3198 036 90010
9415	Wire Jumper, 0.58MM.	3198 036 90010	9680	Wire Jumper, 0.58MM.	3198 036 90010
9416	Wire Jumper, 0.58MM.	3198 036 90010	9683	Wire Jumper, 0.58MM.	3198 036 90010
9417	Wire Jumper, 0.58MM.	3198 036 90010	9685	Wire Jumper, 0.58MM.	3198 036 90010
9418	Wire Jumper, 0.58MM.	3198 036 90010	9686	Wire Jumper, 0.58MM.	3198 036 90010
9419	Wire Jumper, 0.58MM.	3198 036 90010	9687	Wire Jumper, 0.58MM.	3198 036 90010
9421	Wire Jumper, 0.58MM.	3198 036 90010	9688	Wire Jumper, 0.58MM.	3198 036 90010
9422	Wire Jumper, 0.58MM.	3198 036 90010	9689	Wire Jumper, 0.58MM.	3198 036 90010
9423	Wire Jumper, 0.58MM.	3198 036 90010	9690	Wire Jumper, 0.58MM.	3198 036 90010
9424	Wire Jumper, 0.58MM.	3198 036 90010	9691	Wire Jumper, 0.58MM.	3198 036 90010
9425	Wire Jumper, 0.58MM.	3198 036 90010	9694	Wire Jumper, 0.58MM.	3198 036 90010
9426	Wire Jumper, 0.58MM.	3198 036 90010	9695	Wire Jumper, 0.58MM.	3198 036 90010
9427	Wire Jumper, 0.58MM.	3198 036 90010	9697	Wire Jumper, 0.58MM.	3198 036 90010
9453	Wire Jumper, 0.58MM.	3198 036 90010	9698	Wire Jumper, 0.58MM.	3198 036 90010
9460	Wire Jumper, 0.58MM.	3198 036 90010	9699	Wire Jumper, 0.58MM.	3198 036 90010
9463	Wire Jumper, 0.58MM.	3198 036 90010	9821	Wire Jumper, 0.58MM.	3198 036 90010
9500	Wire Jumper, 0.58MM.	3198 036 90010	9822	Wire Jumper, 0.58MM.	3198 036 90010
9501	Wire Jumper, 0.58MM.	3198 036 90010	9823	Wire Jumper, 0.58MM.	3198 036 90010
9503	Wire Jumper, 0.58MM.	3198 036 90010	9824	Wire Jumper, 0.58MM.	3198 036 90010
9506	Wire Jumper, 0.58MM.	3198 036 90010	9825	Wire Jumper, 0.58MM.	3198 036 90010
9507	Wire Jumper, 0.58MM.	3198 036 90010	9827	Wire Jumper, 0.58MM.	3198 036 90010
9510	Wire Jumper, 0.58MM.	3198 036 90010	9828	Wire Jumper, 0.58MM.	3198 036 90010
9512	Wire Jumper, 0.58MM.	3198 036 90010	9829	Wire Jumper, 0.58MM.	3198 036 90010
9513	Wire Jumper, 0.58MM.	3198 036 90010	9830	Wire Jumper, 0.58MM.	3198 036 90010
9514	Wire Jumper, 0.58MM.	3198 036 90010	9831	Wire Jumper, 0.58MM.	3198 036 90010
9515	Wire Jumper, 0.58MM.	3198 036 90010	9832	Wire Jumper, 0.58MM.	3198 036 90010
9516	Wire Jumper, 0.58MM.	3198 036 90010	9833	Wire Jumper, 0.58MM.	3198 036 90010
9518	Wire Jumper, 0.58MM.	3198 036 90010	9834	Wire Jumper, 0.58MM.	3198 036 90010
9520	Wire Jumper, 0.58MM.	3198 036 90010	9835	Wire Jumper, 0.58MM.	3198 036 90010
9521	Wire Jumper, 0.58MM.	3198 036 90010	9836	Wire Jumper, 0.58MM.	3198 036 90010
9522	Wire Jumper, 0.58MM.	3198 036 90010	9837	Wire Jumper, 0.58MM.	3198 036 90010
9524	Wire Jumper, 0.58MM.	3198 036 90010	9838	Wire Jumper, 0.58MM.	3198 036 90010
9525	Wire Jumper, 0.58MM.	3198 036 90010	9839	Wire Jumper, 0.58MM.	3198 036 90010
9528	Wire Jumper, 0.58MM.	3198 036 90010	9840	Wire Jumper, 0.58MM.	3198 036 90010
9610	Wire Jumper, 0.58MM.	3198 036 90010	9841	Wire Jumper, 0.58MM.	3198 036 90010
9611	Coil, 27u.	3198 018 22790	9842	Wire Jumper, 0.58MM.	3198 036 90010
9612	Wire Jumper, 0.58MM.	3198 036 90010	9843	Wire Jumper, 0.58MM.	3198 036 90010
9613	Wire Jumper, 0.58MM.	3198 036 90010	9844	Wire Jumper, 0.58MM.	3198 036 90010
9614	Wire Jumper, 0.58MM.	3198 036 90010	9845	Wire Jumper, 0.58MM.	3198 036 90010
9615	Wire Jumper, 0.58MM.	3198 036 90010	9846	Wire Jumper, 0.58MM.	3198 036 90010
9616	Wire Jumper, 0.58MM.	3198 036 90010	9847	Wire Jumper, 0.58MM.	3198 036 90010
9617	Wire Jumper, 0.58MM.	3198 036 90010	9849	Wire Jumper, 0.58MM.	3198 036 90010
9618	Wire Jumper, 0.58MM.	3198 036 90010	9851	Wire Jumper, 0.58MM.	3198 036 90010
9619	Wire Jumper, 0.58MM.	3198 036 90010	9901	Wire Jumper, 0.58MM.	3198 036 90010
9620	Wire Jumper, 0.58MM.	3198 036 90010	9902	Wire Jumper, 0.58MM.	3198 036 90010
9621	Wire Jumper, 0.58MM.	3198 036 90010	9903	Wire Jumper, 0.58MM.	3198 036 90010
9622	Wire Jumper, 0.58MM.	3198 036 90010	9904	Wire Jumper, 0.58MM.	3198 036 90010

S = Safety Part. Be sure to use exact replacement part.

MS3250C331 (continued)

9905	Wire Jumper, 0.58MM.	3198	036	90010
9911	Wire Jumper, 0.58MM.	3198	036	90010
9912	Wire Jumper, 0.58MM.	3198	036	90010
9913	Wire Jumper, 0.58MM.	3198	036	90010
9914	Wire Jumper, 0.58MM.	3198	036	90010
9915	Wire Jumper, 0.58MM.	3198	036	90010
9916	Wire Jumper, 0.58MM.	3198	036	90010
9918	Wire Jumper, 0.58MM.	3198	036	90010
9919	Wire Jumper, 0.58MM.	3198	036	90010
9920	Wire Jumper, 0.58MM.	3198	036	90010
9921	Wire Jumper, 0.58MM.	3198	036	90010
9991	Wire Jumper, 0.58MM.	3198	036	90010
9993	Wire Jumper, 0.58MM.	3198	036	90010
9994	Wire Jumper, 0.58MM.	3198	036	90010
9996	Wire Jumper, 0.58MM.	3198	036	90010
9997	Wire Jumper, 0.58MM.	3198	036	90010
9998	Wire Jumper, 0.58MM.	3198	036	90010
CBA	Main Chassis Assembly.	3139	187	25671

CRT Panel Parts (Part of Main Chassis)

CRT Panel Parts (Part of Main Chassis)				
S 0244	Connector, 5 Pin	2422	025	04853
S 0245	Connector, 6 Pin	2422	025	04854
S 0254	Socket, CRT, 9 Pin, N-Neck	2422	500	80076
2330	Cap, 100n, 10%, 250v, Metalized Polyp ropylene	2222	368	90177
2340	Cap, 10u, 20%, 250v, Electrolytic.	2020	012	93495
2341	Cap, 3n3, 10%, 500v, Ceramic	3198	019	43320
2342	Cap, 560p, 5%, 50v, Ceramic.	3198	016	05610
2343	Cap, 3n3, 10%, 2000v, Ceramic.	2020	558	90529
2344	Cap, 100n, ?20%, 25v, Ceramic.	3198	023	21040
2345	Cap, 1n, 10%, 500v, Ceramic.	3198	019	41020
3331	Res, 100 ohm, 5%, 1/6W, Carbon Film.	3198	011	01010
3332	Res, 1K, 20%, 1/2W, Carbon Film.	3198	013	01020
3333	Res, 100 ohm, 5%, 1/6W, Carbon Film.	3198	011	01010
3334	Res, 1K, 20%, 1/2W, Carbon Film.	3198	013	01020
3335	Res, 100 ohm, 5%, 1/6W, Carbon Film.	3198	011	01010
3336	Res, 1K, 20%, 1/2W, Carbon Film.	3198	013	01020
S 3340	Res, 10 ohm, 5%, 1/2W, Metal Film.	2306	207	03109
S 3341	Res, 1 ohm, 5%, 1/3W, Metal Film	2306	204	03108
S 3342	Res, 1 ohm, 5%, 1/3W, Metal Film	2306	204	03108
3343	Res, 1K5, 20%, 1/2W, Carbon Film	3198	013	01520
3344	Res, 22 ohm, 5%, 1/6W, Carbon Film	3198	011	02290
S 3345	VDR, DC, 1mA, 50V, MAX, 115V	2322	593	13507
3346	Res, 22 ohm, 5%, 1/6W, Carbon Film	3198	011	02290
3347	Res, Zero ohm, "Chip" Jumper	3198	021	90020
3350	Res, Zero ohm, "Chip" Jumper	3198	021	90020
3353	Res, Zero ohm, "Chip" Jumper	3198	021	90020
5342	Coil, 15u.	2422	535	97331
6331	Diode, Signal, BAV21	3198	010	10070
6332	Diode, Signal, BAS316.	3198	010	10630
6333	Diode, Signal, BAV21	3198	010	10070
6335	Diode, Signal, BAV21	3198	010	10070
7330	IC, TDA6107Q/N2.	9352	576	50112
9311	Wire Jumper, 0.58MM.	3198	036	90010
9341	Wire Jumper, 0.58MM.	3198	036	90010
9342	Wire Jumper, 0.58MM.	3198	036	90010
9343	Wire Jumper, 0.58MM.	3198	036	90010

MS3250CK21 - Manual no. 7629

Cabinet & Accessory Parts

	Cabinet & Accessory Parts				2210	Cap, 1u, 20%, 50v, Electrolytic. . .	3198 025 51080
S AC12	Degaussing Coil (Used w/CRT A80ECK272 X56)	2422 549 43977			2211	Cap, 470n, +80/-20%, 16v, Ceramic. . .	3198 017 24740
S AC12	Degaussing Coil (Used w/CRT A80QCF340 X34(N))	2422 549 45334			2216	Cap, 1000u, 20%, 16v, Electrolytic . . .	3198 026 21020
AC11	Customer Control Buttons	3139 124 29991			2217	Cap, 22n, 10%, 50v, Ceramic.	3198 017 02230
AC07	Chassis Tray	3139 124 31323			2219	Cap, 220n, +80/-20%, 25v, Ceramic. . .	3198 023 22240
AC09	Clip, Anode Lead	3135 014 04471			2220	Cap, 470n, 10%, 50v, Polyester	3198 014 04740
AC13	Holder, Degaussing Coil (4 Used)	3135 013 01661			2221	Cap, 22n, 10%, 50v, Ceramic.	3198 017 02230
AC16	Owner's Manual	3121 235 20121			2241	Cap, 1n5, 10%, 50v, Ceramic.	3198 017 01520
AC16b	Quick Use Guide.	3121 233 40921			2242	Cap, 1u, +80/-20%, 16v, Ceramic.	3198 017 21050
S AC01	AC Cord.	3135 010 05051			2243	Cap, 2n2, 10%, 50v, Ceramic.	3198 017 02220
AC15	Jack Panel Bracket Assembly.	3139 124 37511			2244	Cap, 100n, 10%, 63v, Metallized Polyester	2222 370 75104
AC04	Cabinet Back	3139 124 25312			2245	Cap, 220n, +80/-20%, 16v, Ceramic (Used w/CRT A80ECK272X56)	3198 023 22240
REMOTE	Remote Transmitter, RC2524/17.	3139 228 87491			2245	Cap, 470n, +80/-20%, 16v, Ceramic (Used w/CRT A80QCF340X34(N))	3198 017 24740
AC03	Battery, 1.5V, 2-PACK.	9299 000 65263			2247	Cap, 1000u, 20%, 16v, Electrolytic . . .	3198 026 21020
S AC10	CRT, A80QCF340X34(N) (When Comp 2209 = 10uF).	9301 904 59463			2248	Cap, 22n, 10%, 50v, Ceramic.	3198 017 02230
AC20	Cabinet Front Assembly f/MS3250CK21.	3121 237 51831			2249	Cap, 22n, 10%, 50v, Ceramic.	3198 017 02230
AC20a	Cabinet Front.	3139 137 67061			2250	Cap, 2u2, 20%, 50v, Electrolytic	3198 025 52280
AC20f	Power Button	3139 124 29981			2252	Cap, 1n, 5%, 50v, Ceramic.	3198 016 01020
AC20d	Light Guide.	3139 124 26461			2253	Cap, 1n, 5%, 50v, Ceramic.	3198 016 01020
AC20j	Speaker, Full Range, 16 ohm, 5W (2 Used).	2422 264 00401			2254	Res, Zero ohm, Chip Jumper	3198 021 90020
S AC10	CRT, A80ECK272X56 (When Comp 2209 = 4.7uF).	4835 131 27165			2401	Cap, 2u2, 20%, 50v, Electrolytic	2020 021 90552

Main Chassis Assembly Parts

	Main Chassis Assembly Parts				2402	Cap, 470p, 10%, 500v, Ceramic.	3198 019 44710
0118	U-Cooling Plate.	3139 121 26731			2404	Cap, 47u, 20%, 50v, Electrolytic	3198 025 54790
0127	Socket Fuse.	2422 088 00271			2405	Cap, 1n, 5%, 50v, Ceramic.	3198 016 01020
0136	IC-Spring.	3104 301 22081			2441	Cap, 1u, 20%, 50v, Electrolytic.	3198 025 51080
0137	Spring	3139 121 24581			2443	Cap, 47n, +80/-20%, 50v, Ceramic.	3198 017 24730
0138	IC-Spring.	3104 301 22081			2444	Cap, 1u, 20%, 50v, Electrolytic.	3198 025 51080
0139	Spring for Bracket	3122 121 24786			2450	Cap, 47u, 20%, 160v, Electrolytic.	2020 021 91139
0140	Spring	3139 121 24581			2451	Cap, 15n, 10%, 50v, Polyester.	3198 014 01530
0141	IC-Spring.	3104 301 22081			2452	Cap, 180p, 5%, 50v, Ceramic.	3198 016 01810
S 0211	Connector, 2 Pin	2422 025 16269			2455	Cap, 47u, 20%, 25v, Electrolytic	3198 025 34790
S 0212	Connector, 2 Pin	2422 025 16375			2457	Cap, 430n, 5%, 250v, Polypropylene (Used w/CRT A80ECK272X56).	2222 479 90022
0220	Connector, 5 Pin	2422 025 04853			2457	Cap, 470nF, 5%, 250v, Polypropylene (Used w/CRT A80QCF340X34(N).	2222 479 90023
S 0221	Connector, 4 Pin	2422 025 15503			2458	Cap, 2u2, 20%, 100v, Electrolytic.	2020 021 91331
S 0222	Connector, 2 Pin	2422 025 10646			2459	Cap, 680p, 10%, 500v, Ceramic.	3198 019 46810
0223	Socket, CINCH, 6 Pin	2422 026 05184			2460	Cap, 100p, 5%, 50v, Ceramic.	3198 016 01010
0225	Socket, MDIN, 10 Pin	2422 026 04926			2463	Cap, 680p, 10%, 2kV, Ceramic (Used w/CRT A80QCF340X34(N)).	2020 558 90485
0243	Connector, 6 Pin	2422 025 04854			2463	Cap, 1.2nF, 10%, 2kV, Ceramic (Used w/CRT A80QCF340X34(N)).	2020 558 90488
0267	Connector, 3 Pin	2412 020 00725			2463	Cap, 1n2, 10%, 2000v, Ceramic (Used w/CRT A80QCF340X34(N)).	2020 558 90488
0280	Connector, 4 Pin	2422 025 12479			2463	Cap, 680pF, 10%, 2000v, Ceramic (Used w/CRT A80ECK272X56).	2020 558 90485
0320	Factory Plate.	3122 120 01701			2464	Cap, 2u2, 5%, 160v, Metallized Polypropylene.	2222 479 90042
3247	Res, 470K, 5%, 1/10W, Glass (Used w/CRT A80QCF340X34(N)).	3198 021 54740			2465	Cap, 13n, 5%, 1600v, Polypropylene	2222 375 90157
1000	Tuner, V+U PLL	2422 542 90098			2466	Cap, 10n, 10%, 400v, Polyester (Used w/CRT A80ECK272X56).	2222 347 90218
1002	SAW Filter, 45MHZ75, OFWML1971M L	2422 549 44518			2466	Cap, 15n, 10%, 400v, Polyester (Used w/CRT A80QCF340X34(N)).	2222 347 90219
1200	Filter, Ceramic, 4MHZ5	2422 549 40807			2468	Cap, 10n, 10%, 400v, Polyester (Used w/CRT A80QCF340X34(N)).	2222 347 90218
S 1500	Fuse, 4A, 250V, IEC.	2422 086 10914			2468	Cap, 18n, 10%, 400v, Polyester (Used w/CRT A80ECK272X56).	2222 347 90222
S 1515	Relay, 1P, 12V	2422 132 07444			2471	Cap, 100n, 10%, 63v, Metallized Polyester	2222 365 75104
1600	Tact Switch.	2422 128 02742			2472	Cap, 150n, 10%, 63v, Metallized Polyester	2222 365 75154
1601	Tact Switch.	2422 128 02742			2473	Cap, 100n, 10%, 63v, Metallized Polyester	2222 365 75104
1602	Tact Switch.	2422 128 02742			2474	Cap, 2n2, 10%, 50v, Ceramic.	3198 017 02220
1603	Tact Switch.	2422 128 02742			2475	Cap, 2n2, 10%, 50v, Ceramic.	3198 017 02220
1606	Tact Switch.	2422 128 02742			2476	Cap, 4n7, 10%, 50v, Ceramic.	3198 017 04720
1660	Crystal Resonator, 12 MHz, 20P, HC49/U A	2422 543 01203			2480	Cap, 47u, 20%, 25v, Electrolytic	2020 021 90586
1831	Crystal Resonator, 18MHZ432 12P HC49/U A	2422 543 00842			2481	Cap, 470p, 10%, 500v, Ceramic.	3198 019 44710
2004	Cap, 47n, 10%, 25v, Ceramic.	3198 023 04730			2482	Cap, 68n, 10%, 250v, Polyester	2222 347 90234
2005	Cap, 10u, 20%, 50v, Electrolytic	3198 025 51090			2485	Cap, 4u7, 20%, 250v, Electrolytic.	2020 021 90856
2006	Cap, 470u, 20%, 16v, Electrolytic.	3198 025 24710			2486	Cap, 470u, 20%, 16v, Electrolytic.	2020 021 91577
2007	Cap, 100n, +80/-20%, 25v, Ceramic.	3198 023 21040			2487	Cap, 47u, 20%, 50v, Electrolytic	2020 021 90854
2008	Cap, 100u, 20%, 25v, Electrolytic.	3198 025 31010			2488	Cap, 1000u, 20%, 16v, Electrolytic	2020 021 91049
2009	Cap, 22n, 10%, 50v, Ceramic.	3198 017 02230			2489	Cap, 470u, 20%, 16v, Electrolytic.	2020 021 91577
2101	Cap, 470n, +80/-20%, 16v, Ceramic.	3198 017 24740			2491	Cap, 1n, 10%, 500v, Ceramic.	3198 019 41020
2102	Cap, 22p, 5%, 50v, Ceramic	3198 016 02290			S 2500	Cap, 470n, 20%, 275v, Metallized Polypropylene.	2222 336 29148
2103	Cap, 330p, 5%, 50v, Ceramic.	3198 016 03310			2501	Cap, 2n2, 10%, 1000v, Ceramic.	3198 019 52220
2104	Cap, 330p, 5%, 50v, Ceramic.	3198 016 03310			2502	Cap, 2n2, 10%, 1000v, Ceramic.	3198 019 52220
2105	Cap, 10u, 20%, 50v, Electrolytic	3198 025 51090			2503	Cap, 470u, 20%, 200v, Electrolytic	2020 024 90626
2106	Cap, 10u, 20%, 50v, Electrolytic	3198 025 51090			2505	Cap, 2n2, 10%, 1000v, Ceramic.	3198 019 52220
2122	Cap, 330p, 5%, 50v, Ceramic.	3198 016 03310			2507	Cap, 470p, 10%, 50v, Ceramic.	3198 017 04710
2123	Cap, 2u2, +80/-20%, 10v, Ceramic	3198 017 22250			2508	Cap, 470p, 10%, 1000v, Ceramic.	3198 019 64710
2124	Cap, 330p, 5%, 50v, Ceramic.	3198 016 03310			S 2515	Cap, 1n5, 20%, v, Ceramic.	2020 554 90128
2125	Cap, 2u2, +80/-20%, 10v, Ceramic	3198 017 22250			2520	Cap, 100n, 10%, 16v, Ceramic.	3198 017 01040
2135	Cap, 22p, 5%, 50v, Ceramic	3198 016 02290			2521	Cap, 22u, 20%, 50v, Electrolytic	3198 025 52290
2136	Cap, 22p, 5%, 50v, Ceramic	3198 016 02290			2522	Cap, 100n, 10%, 16v, Ceramic.	3198 017 01040
2141	Cap, 330p, 5%, 50v, Ceramic.	3198 016 03310			2523	Cap, 1n5, 10%, 2000v, Ceramic.	2020 558 90489
2202	Cap, 100n, +80/-20%, 25v, Ceramic.	3198 023 21040			2525	Cap, 470p, 10%, 50v, Ceramic.	3198 017 04710
2203	Cap, 100n, +80/-20%, 25v, Ceramic.	3198 023 21040					
2204	Cap, 100n, +80/-20%, 25v, Ceramic.	3198 023 21040					
2205	Cap, 220n, +80/-20%, 25v, Ceramic.	3198 023 22240					
2208	Cap, 100n, +80/-20%, 25v, Ceramic.	3198 023 21040					
2209	Cap, 4.7uF, 20%, 50v, Electrolytic (Used w/CRT A80ECK272X56).	3198 025 54780					
2209	Cap, 10uF, 20%, 50v, Electrolytic (Used w/CRT A80QCF340X34(N)).	3198 025 51090					

S = Safety Part Be sure to use exact replacement part.

MS3250CK21 (continued)

2527	Cap, 2n2, 10%, 50v, Ceramic	3198 017 02220	3203	Res, 100 ohm, 5%, 1/6W, Carbon Film.	3198 011 01010
2528	Cap, 1n, 10%, 50v, Ceramic	3198 017 01020	3204	Res, 10K, 5%, 1/6W, Carbon Film. . .	3198 011 01030
2540	Cap, 10n, 10%, 50v, Ceramic	3198 017 01030	3206	Res, 33K, 5%, 1/16W, Glass (Used w/CR	
2541	Cap, 10n, 10%, 50v, Ceramic	3198 017 01030		T A80ECK272X56)	3198 021 53330
2560	Cap, 680p, 10%, 1000v, Ceramic	2020 558 90472	3206	Res, 270K, 5%, 1/8W, Glass (Used w/CR	
2561	Cap, 100u, 20%, 160v, Electrolytic . .	2020 021 91654		T A80QCF340X34(N))	2322 730 61274
2562	Cap, 1n, 10%, 50v, Ceramic	3198 019 11020	3207	Res, 1K, 5%, 1/6W, Carbon Film . . .	3198 011 01020
2563	Cap, 100n, 10%, 63v, Metallized Polye		3208	Res, 220 ohm, 5%, Carbon	3198 021 52210
	ster	2222 365 75104	3209	Res, 68 ohm, 5%, 1/10W, Metallized Gl	
2564	Cap, 2u2, 20%, 25v, Electrolytic . . .	2020 021 91353		ass.	3198 021 56890
2566	Cap, 470u, 20%, 6.3v, Electrolytic . .	3198 025 04710	3212	Res, 470 ohm, 5%, 1/10W, Metallized G	
2567	Cap, 47u, 20%, 25v, Electrolytic . . .	3198 025 34790		lass	3198 021 54710
2568	Cap, 1u, 20%, 50v, Electrolytic	3198 025 51080	3213	Res, 560 ohm, 5%, 1/6W, Carbon Film.	3198 011 05610
2580	Cap, 47u, 20%, 16v, Electrolytic . . .	3198 028 24790	3217	Res, 330K, 5%, 1/10W, Metallized Glas	3198 021 53340
2581	Cap, 22u, 20%, 50v, Electrolytic . . .	3198 025 52290	3218	Res, 82K, 5%, 1/10W, Metallized Glass	3198 021 58230
2601	Cap, 220n, +80/-20%, 25v, Ceramic . .	3198 023 22240	3219	Res, 2K2, 5%, 1/10W, Metallized Glass	3198 021 52220
2602	Cap, 100p, 5%, 50v, Ceramic	3198 016 01010	3220	Res, 100 ohm, 5%, 1/6W, Carbon Film.	3198 011 01010
2606	Cap, 1n, 5%, 50v, Ceramic	3198 016 01020	3221	Res, 560 ohm, 5%, 1/6W, Carbon Film.	3198 011 05610
2607	Cap, 33p, 5%, 50v, Ceramic	3198 016 03390	3222	Res, 100 ohm, 5%, 1/6W, Carbon Film.	3198 011 01010
2608	Cap, 1u, +80/-20%, 16v, Ceramic . . .	3198 017 21050	3226	Res, 560 ohm, 5%, 1/10W, Metallized G	
2609	Cap, 33p, 5%, 50v, Ceramic	3198 016 03390		lass	3198 021 55610
2611	Cap, 1u, +80/-20%, 16v, Ceramic . . .	3198 017 21050	3235	Res, 100 ohm, 5%, 1/6W, Carbon Film.	3198 011 01010
2612	Cap, 68p, 5%, 50v, Ceramic	3198 016 06890	3241	Res, 22k, 5%, Carbon	3198 021 52230
2613	Cap, 68p, 5%, 50v, Ceramic	3198 016 06890	3242	Res, 12K, 5%, 1/10W, Metallized Glass	3198 021 51230
2615	Cap, 1n, 5%, 50v, Ceramic	3198 016 01020	3244	Res, 820 ohm, 5%, 1/6W, Carbon Film.	3198 011 08210
2618	Cap, 1u, +80/-20%, 16v, Ceramic . . .	3198 017 21050	3245	Res, 39K, 5%, 1/10W, Metallized Glass	3198 021 53930
2619	Cap, 1u, +80/-20%, 16v, Ceramic . . .	3198 017 21050	3246	Res, 10k, 5%, Carbon	3198 021 51030
2691	Cap, 10u, 20%, 50v, Electrolytic . . .	3198 025 51090	3247	Res, 680K, 5%, 1/10W, Glass (Used w/C	
2801	Cap, 22u, 20%, 50v, Electrolytic . . .	3198 025 52290		RT A80ECK272X56)	3198 021 56840
2805	Res, Zero ohm, Chip Jumper	3198 021 90020	3248	Res, 33K, 5%, 1/10W, Metallized Glass	3198 021 53330
2806	Res, Zero ohm, Chip Jumper	3198 021 90020	3249	Res, 820 ohm, 5%, 1/6W, Carbon Film.	3198 011 08210
2831	Cap, 1p, 25%, 50v, Ceramic	3198 016 01080	3250	Res, 8K2, 5%, 1/6W, Carbon Film. . .	3198 011 08220
2832	Cap, 1p, 25%, 50v, Ceramic	3198 016 01080	3251	Res, 100 ohm, 5%, 1/6W, Carbon Film.	3198 011 01010
2833	Cap, 47p, 5%, 50v, Ceramic	3198 016 04790	3256	Res, 1k, 5%, Carbon.	3198 021 51020
2834	Cap, 470p, 5%, 50v, Ceramic	3198 016 04710	3257	Res, 10M, 5%, 1/10W, Metallized Glass	3198 021 51060
2835	Cap, 220p, 5%, 50v, Ceramic	3198 016 02210	3258	Res, 100K, 5%, 1/10W, Metallized Glas	3198 021 51040
2836	Cap, 1n5, 10%, 50v, Ceramic	3198 017 01520	3259	Res, 470K, 5%, 1/10W, Metallized Glas	3198 021 54740
2837	Cap, 4u7, 20%, 50v, Electrolytic . . .	3198 025 54780	3400	Res, 330 ohm, 5%, 1/6W, Carbon Film.	3198 011 03310
2840	Cap, 100n, +80/-20%, 25v, Ceramic . .	3198 023 21040	3401	Res, 33K, 5%, 1/6W, Carbon Film. . .	3198 011 03330
2841	Cap, 10u, 20%, 50v, Electrolytic . . .	3198 028 51090	3403	Res, 100K, 5%, 1/6W, Carbon Film . .	3198 011 01040
2842	Cap, 100n, +80/-20%, 25v, Ceramic . .	3198 023 21040	3404	Res, 1K, 5%, 1/6W, Carbon Film . . .	3198 011 01020
2843	Cap, 10u, 20%, 50v, Electrolytic . . .	3198 028 51090	3405	Res, 4R7, 5%, 1/6W, Carbon Film. . .	3198 011 04780
2844	Cap, 10u, 20%, 50v, Electrolytic . . .	3198 025 51090	3406	Res, 4R7, 5%, 1/6W, Carbon Film. . .	3198 011 04780
2845	Cap, 100n, +80/-20%, 25v, Ceramic . .	3198 023 21040	3408	Res, 100 ohm, 5%, 1/6W, Carbon Film.	3198 011 01010
2846	Cap, 100u, 20%, 25v, Electrolytic . .	3198 025 31010	3410	Res, 10K, 5%, 1/6W, Carbon Film. . .	3198 011 01030
2849	Cap, 1n, 5%, 50v, Ceramic	3198 016 01020	3411	Res, 4R7, 5%, 1/3W, Metal Film . . .	2306 204 03478
2850	Cap, 1n, 5%, 50v, Ceramic	3198 016 01020	3441	Res, 100 ohm, 5%, 1/10W, Metallized G	
2851	Cap, 4u7, +80/-20%, 10v, Ceramic . . .	2020 552 96305		lass	3198 021 51010
2852	Cap, 1n, 5%, 50v, Ceramic	3198 016 01020	3442	Res, 6K8, 5%, 1/10W, Metallized Glass	3198 021 56820
2853	Cap, 4u7, +80/-20%, 10v, Ceramic . . .	2020 552 96305	3443	Res, 1M, 5%, 1/10W, Metallized Glass	3198 021 51050
2854	Cap, 1n, 5%, 50v, Ceramic	3198 016 01020	3445	Res, 15K, 5%, 1/6W, Carbon Film. . .	3198 011 01530
2855	Cap, 33p, 5%, 50v, Ceramic	3198 016 03390	3446	Res, 5K6, 5%, 1/6W, Carbon Film. . .	3198 011 05620
2856	Cap, 47p, 5%, 50v, Ceramic	3198 016 04790	3447	Res, 180 ohm, 5%, 1/6W, Carbon Film.	3198 011 01810
2857	Cap, 150p, 5%, 50v, Ceramic	3198 016 01510	3448	Res, 820 ohm, 5%, 1/6W, Carbon Film.	3198 011 08210
2860	Cap, 180p, 5%, 50v, Ceramic	3198 016 01810	3449	Res, 68 ohm, 5%, 1/6W, Carbon Film .	3198 011 06890
2894	Cap, 220p, 5%, 50v, Ceramic	3198 016 02210	3450	Res, 33 ohm, 5%, 1/6W, Carbon Film .	3198 011 03390
2895	Cap, 560p, 5%, 50v, Ceramic	3198 016 05610	S 3451	Res, 5R6, 5%, 1/3W, Metal Film . . .	2306 204 03568
2897	Cap, 390p, 5%, 50v, Ceramic	3198 016 03910	3452	Res, 5K1, 1%, 3/5W, Metal Film . . .	2312 915 15102
2898	Cap, 10n, 10%, 50v, Ceramic	3198 017 01030	3453	Res, 1K, 5%, 1/6W, Carbon Film . . .	3198 011 01020
2902	Cap, 1000u, 20%, 16v, Electrolytic . .	3198 026 21020	3454	Res, 2K, 1%, 3/5W, Metal Film. . . .	2312 915 12002
2903	Cap, 1u, 20%, 50v, Electrolytic	3198 025 51080	3455	Res, 6R8, 5%, 1 1/3W, Metal Film . .	3198 012 26880
2904	Cap, 470n, +80/-20%, 16v, Ceramic . .	3198 017 24740	3458	Res, 1K, 5%, 1/6W, Carbon Film . . .	3198 011 01020
2905	Cap, 1n, 10%, 50v, Ceramic	3198 017 01020	3459	Res, 15K, 5%, 1 1/3W, Metal Film . .	3198 012 21530
2906	Cap, 470n, +80/-20%, 16v, Ceramic . .	3198 017 24740	3460	Res, 3K9, 5%, 1/6W, Carbon Film. . .	3198 011 03920
2907	Cap, 1n, 10%, 50v, Ceramic	3198 017 01020	3463	Res, 33 ohm, 5%, 1/6W, Carbon Film .	3198 011 03390
2908	Cap, 10u, 20%, 50v, Electrolytic . . .	3198 025 51090	3465	Res, 27K, 1%, 3/5W, Metal Film . . .	2312 915 12703
2910	Cap, 3n3, 10%, 50v, Ceramic	3198 017 03320	3468	Res, 180 ohm, 5%, 1/6W, Carbon Film.	3198 011 01810
2911	Cap, 3n3, 10%, 50v, Ceramic	3198 017 03320	3469	Res, 3K3, 5%, 1/6W, Carbon Film. . .	3198 011 03320
2950	Cap, 330p, 5%, 50v, Ceramic	3198 016 03310	3470	Res, 150K, 5%, 1/10W, Glass (Used w/C	
3000	Res, 100 ohm, 5%, 1/6W, Carbon Film.	3198 011 01010		RT A80ECK272X56)	3198 021 51540
3001	Res, 100 ohm, 5%, 1/6W, Carbon Film.	3198 011 01010	3470	Res, 390K, 5%, 1/8W, Glass (Used w/CR	
3002	Res, Zero ohm, Chip Jumper	3198 021 90020		T A80QCF340X34(N))	2322 730 61394
3003	Res, 1K5, 5%, 1/10W, Metallized Glass	3198 021 51520	3471	Res, 3R9, 1%, 3/5W, Metal Film (Used	
3004	Res, 8K2, 5%, 1/10W, Metallized Glass	3198 021 58220		w/CRT A80QCF340X34(N))	2312 915 13908
3005	Res, 100 ohm, 5%, 1/6W, Carbon Film.	3198 011 01010	3471	Res, 4R7, 1%, 3/5W, Metal Film (Used	
3101	Res, 68 ohm, 5%, 1/6W, Carbon Film .	3198 011 06890		w/CRT A80ECK272X56)	2312 915 14708
3102	Res, 1k, 5%, Carbon.	3198 021 51020	3472	Res, 3R9, 1%, 3/5W, Metal Film (Used	
3103	Res, 150 ohm, 5%, 1/6W, Carbon Film.	3198 011 01510		w/CRT A80QCF340X34(N))	2312 915 13908
3104	Res, 220K, 5%, 1/10W, Metallized Glas	3198 021 52240	3472	Res, 2R2, 1%, 3/5W, Metal Film (Used	
3105	Res, 150 ohm, 5%, 1/6W, Carbon Film.	3198 011 01510		w/CRT A80ECK272X56)	2312 915 12208
3106	Res, 220K, 5%, 1/10W, Metallized Glas	3198 021 52240	3473	Res, 3R3, 1%, 3/5W, Metal Film (Used	
3123	Res, 150 ohm, 5%, 1/6W, Carbon Film.	3198 011 01510		w/CRT A80ECK272X56)	2312 915 13308
3124	Res, 47K, 5%, 1/10W, Metallized Glass	3198 021 54730	3473	Res, 5R6, 1%, 3/5W, Metal Film (Used	
3125	Res, 150 ohm, 5%, 1/6W, Carbon Film.	3198 011 01510		w/CRT A80QCF340X34(N))	2312 915 15608
3126	Res, 47K, 5%, 1/10W, Metallized Glass	3198 021 54730	3474	Res, 2K2, 1%, 3/5W, Metal Film . . .	2312 915 12202
3135	Res, 75 ohm, 5%, 1/6W, Carbon Film .	3198 011 07590	3475	Res, 2K2, 1%, 3/5W, Metal Film . . .	2312 915 12202
3136	Res, 100 ohm, 5%, 1/6W, Carbon Film.	3198 011 01010	3477	Res, 150 ohm, 5%, 1/6W, Carbon Film.	3198 011 01510
3138	Wire Jumper, 0.58MM.	3198 036 90010	3478	Res, 150 ohm, 5%, 1/6W, Carbon Film.	3198 011 01510
3141	Res, 1K, 5%, 1/6W, Carbon Film . . .	3198 011 01020	3479	Res, 2K7, 5%, 1/10W, Metallized Glass	3198 021 52720
3200	Res, 390 ohm, 5%, 1/6W, Carbon Film.	3198 011 03910	3480	Res, 1R5, 5%, 1/4W, Carbon Film. . .	2120 101 74158
3201	Res, 100 ohm, 5%, 1/6W, Carbon Film.	3198 011 01010	3481	Res, 15K, 1%, 3/5W, Metal Film . . .	2312 915 11503
3202	Res, 100 ohm, 5%, 1/6W, Carbon Film.	3198 011 01010	3482	Res, 6K8, 1%, 3/5W, Metal Film . . .	2312 915 16802

S = Safety Part Be sure to use exact replacement part.

MS3250CK21 (continued)

3484	Res, 3K9, 5%, 1/6W, Carbon Film. . .	3198 011 03920	3686	Res, 1K5, 5%, 1/10W, Metallized Glass	3198 021 51520
3486	Res, 33 ohm, 5%, 2 1/2W, Metal Film.	3198 012 33390	3691	Res, 330 ohm, 5%, 1/10W, Metallized G	
3488	Res, 4R7, 5%, 1/2W, Metal Film. . .	2306 207 03478		lass	3198 021 53310
3490	Res, 8K2, 5%, 1/6W, Carbon Film. . .	3198 011 08220	3693	Res, 220 ohm, 5%, Carbon	3198 021 52210
3491	Res, 10K, 5%, 1/6W, Carbon Film. . .	3198 011 01030	3694	Res, 4K7, 5%, 1/10W, Metallized Glass	3198 021 54720
3492	Res, 1K, 5%, 1/6W, Carbon Film. . .	3198 011 01020	3801	Res, 220 ohm, 5%, 1/6W, Carbon Film.	3198 011 02210
3493	Res, 2R2, 5%, 1/3W, Metal Film. . .	2306 204 03228	3802	Res, 1K, 5%, 1/6W, Carbon Film. . .	3198 011 01020
3494	Res, 4R7, 5%, 1/2W, Metal Film. . .	2306 207 03478	3831	Res, 47K, 5%, 1/10W, Metallized Glass	3198 021 54730
3495	Res, 22k, 5%, Carbon	3198 021 52230	3832	Res, 100 ohm, 5%, 1/6W, Carbon Film.	3198 011 01010
3496	Res, 100K, 5%, 1/10W, Metallized Glas	3198 021 51040	3833	Res, 100 ohm, 5%, 1/6W, Carbon Film.	3198 011 01010
3497	Res, 100K, 5%, 1/10W, Metallized Glas	3198 021 51040	3836	Res, 1k, 5%, Carbon.	3198 021 51020
3498	Res, 12K, 5%, 1/10W, Metallized Glass	3198 021 51230	3837	Res, 100 ohm, 5%, 1/6W, Carbon Film.	3198 011 01010
S 3500	Res, 3M3, 5%, 1/2W, Metallized Glass	2322 242 13335	3838	Res, 1k, 5%, Carbon.	3198 021 51020
S 3501	Res, 3M3, 5%, 1/2W, Metallized Glass	2322 242 13335	3839	Res, 100 ohm, 5%, 1/6W, Carbon Film.	3198 011 01010
3504	Res, 3 ohm, +30%/-20%, 144v, PTC, Car		3843	Res, 2K2, 5%, 1/10W, Metallized Glass	3198 021 52220
	bon Film	2122 663 00019	3901	Res, 1k, 5%, Carbon.	3198 021 51020
S 3506	Res, 1M5, 5%, 1/2W, Metallized Glass	2322 242 13155	3902	Res, 3K3, 5%, 1/10W, Metallized Glass	3198 021 53320
S 3507	Surge Protector, DSP-301N-A21F A. .	2422 549 43073	3903	Res, 3K3, 5%, 1/10W, Metallized Glass	3198 021 53320
S 3508	Res, 220 ohm, 20%, 1/2W, Carbon Film	3198 013 02210	3904	Res, 10k, 5%, Carbon	3198 021 51030
3510	Res, 4.7 ohm, 20%, 3W1, NTC, Carbon F		3905	Res, 3K3, 5%, 1/10W, Metallized Glass	3198 021 53320
	ilm.	2122 612 00056	3906	Res, 10k, 5%, Carbon	3198 021 51030
3519	Res, 270 ohm, 5%, 1/6W, Carbon Film.	3198 011 02710	3907	Res, 8K2, 5%, 1/10W, Metallized Glass	3198 021 58220
3520	Res, 1K2, 5%, 1/10W, Metallized Glass	3198 021 51220	4001	Res, Zero ohm, Chip Jumper	3198 021 90020
3521	Res, 4R7, 5%, 1/6W, Carbon Film. . .	3198 011 04780	4002	Res, Zero ohm, Chip Jumper	3198 021 90020
3522	Res, 330K, 5%, 1/10W, Metallized Glas	3198 021 53340	4101	Res, Zero ohm, Chip Jumper	3198 021 90020
S 3523	Res, 100 ohm, 5%, 1/3W, Metal Film . .	2306 204 03101	4102	Res, Zero ohm, Chip Jumper	3198 021 90020
3524	Res, 56K, 5%, 1/10W, Metallized Glass	3198 021 55630	4104	Res, Zero ohm, Chip Jumper	3198 021 90020
3525	Res, 1k, 5%, Carbon.	3198 021 51020	4121	Res, Zero ohm, Chip Jumper	3198 021 90020
3526	Res, 0R1, 5%, 3/5W, Metal Film. . .	3198 012 11070	4181	Res, Zero ohm, Chip Jumper	3198 021 90020
3527	Res, 0R33, 5%, 3/5W, Metal Film. . .	3198 012 13370	4209	Res, Zero ohm, Chip Jumper	3198 021 90020
3528	Res, Zero ohm, Chip Jumper	3198 021 90020	4216	Res, Zero ohm, Chip Jumper	3198 021 90020
3529	Res, 47K, 5%, 1/10W, Metallized Glass	3198 021 54730	4217	Res, Zero ohm, Chip Jumper	3198 021 90020
3530	Res, 10k, 5%, Carbon	3198 021 51030	4401	Res, Zero ohm, Chip Jumper	3198 021 90020
3531	Res, 4K7, 5%, 1/10W, Metallized Glass	3198 021 54720	4402	Res, Zero ohm, Chip Jumper	3198 021 90020
S 3532	Res, 2K2, 5%, 1/3W, Metal Film. . .	2306 204 03222	4464	Res, Zero ohm, Chip Jumper	3198 021 90020
3541	Res, 470 ohm, 5%, 1/10W, Metallized G		4500	Res, Zero ohm, Chip Jumper	3198 021 90020
	lass	3198 021 54710	4601	Res, Zero ohm, Chip Jumper	3198 021 90020
3542	Res, 1K5, 5%, 1/10W, Metallized Glass	3198 021 51520	4613	Res, Zero ohm, Chip Jumper	3198 021 90020
3543	Res, 82K, 1%, 3/5W, Metal Film. . .	2312 915 18203	4614	Res, Zero ohm, Chip Jumper	3198 021 90020
3544	Res, 4K7, 1%, 1/8W, Metallized Glass	2322 734 64702	4615	Res, Zero ohm, Chip Jumper	3198 021 90020
3545	Res, 270K, 5%, 1/8W, Metallized Glass	2322 730 61274	4617	Res, Zero ohm, Chip Jumper	3198 021 90020
3548	Res, 15K, 5%, 1/10W, Metallized Glass	3198 021 51530	4619	Res, Zero ohm, Chip Jumper	3198 021 90020
3549	Res, 220 ohm, 5%, 1/6W, Carbon Film.	3198 011 02210	4622	Res, Zero ohm, Chip Jumper	3198 021 90020
3552	Res, 10k, 5%, Carbon	3198 021 51030	4623	Res, Zero ohm, Chip Jumper	3198 021 90020
3557	Res, 1k, 5%, Carbon.	3198 021 51020	4691	Res, Zero ohm, Chip Jumper	3198 021 90020
3560	Res, 47 ohm, 5%, 1/6W, Carbon Film. .	3198 011 04790	4692	Res, Zero ohm, Chip Jumper	3198 021 90020
3561	Res, 100 ohm, 5%, 1/6W, Carbon Film.	3198 011 01010	4693	Res, Zero ohm, Chip Jumper	3198 021 90020
3562	Res, 12K, 5%, 1/10W, Metallized Glass	3198 021 51230	4804	Res, Zero ohm, Chip Jumper	3198 021 90020
3563	Res, 5K6, 5%, 1/10W, Metallized Glass	3198 021 55620	4831	Res, Zero ohm, Chip Jumper	3198 021 90020
3564	Res, 0R1, 5%, 1/3W, Metal Film. . .	3198 012 21070	4833	Res, Zero ohm, Chip Jumper	3198 021 90020
3565	Res, 330 ohm, 5%, 1W, Metal Film. . .	3198 012 13310	4835	Res, Zero ohm, Chip Jumper	3198 021 90020
3566	Res, 2K2, 5%, 1/10W, Metallized Glass	3198 021 52220	4901	Res, Zero ohm, Chip Jumper	3198 021 90020
3567	Res, 1K8, 5%, 1/10W, Metallized Glass	3198 021 51820	4903	Res, Zero ohm, Chip Jumper	3198 021 90020
3568	Res, 8K2, 5%, 1/10W, Metallized Glass	3198 021 58220	4982	Res, Zero ohm, Chip Jumper	3198 021 90020
3569	Res, 5K6, 5%, 1/10W, Metallized Glass	3198 021 55620	5001	Coil, 27u.	3198 018 22790
3580	Res, 47K, 5%, 1/10W, Metallized Glass	3198 021 54730	5002	Coil, 820n	3198 018 18270
3601	Res, 8K2, 5%, 1/6W, Carbon Film. . .	3198 011 08220	5201	Coil, 6u8.	3198 018 16880
3603	Res, 100 ohm, 5%, 1/6W, Carbon Film.	3198 011 01010	5202	Coil, 10u.	3198 018 21090
3604	Res, 100 ohm, 5%, 1/6W, Carbon Film.	3198 011 01010	5204	Fixed, Inductor, 100MHz, 80 ohm. . .	3198 018 90020
3605	Res, 4K7, 5%, 1/10W, Metallized Glass	3198 021 54720	5205	Fixed, Inductor, 100MHz, 80 ohm. . .	3198 018 90020
3606	Res, 2K2, 5%, 1/6W, Carbon Film. . .	3198 011 02220	5206	Wire Jumper, 0.58MM.	3198 036 90010
3607	Res, 2K2, 5%, 1/6W, Carbon Film. . .	3198 011 02220	5241	Coil, 10u.	3198 018 21090
3608	Res, 100 ohm, 5%, 1/6W, Carbon Film.	3198 011 01010	5242	Coil, 10u.	3198 018 11090
3609	Res, 1K, 5%, 1/6W, Carbon Film. . .	3198 011 01020	5401	Coil, 1m	3198 018 71020
3610	Res, 8K2, 5%, 1/6W, Carbon Film. . .	3198 011 08220	S 5445	Transformer, LOT PSL0T 29''.	3128 138 21421
3611	Res, 100 ohm, 5%, 1/10W, Metallized G		5451	Coil, 33u.	3198 018 73390
	lass	3198 021 51010	5452	Fixed, Inductor, 100MHz, 80 ohm. . .	3198 018 90020
3618	Res, 6K8, 5%, 1/6W, Carbon Film. . .	3198 011 06820	5457	Linear Correction Coil (Used w/CRT A8	
3622	Res, 100 ohm, 5%, 1/10W, Metallized G			0EQC272X56).	3128 138 53201
	lass	3198 021 51010	5457	Linear Correction Coil (Used w/CRT A8	
3623	Res, 4K7, 5%, 1/10W, Metallized Glass	3198 021 54720		0QCF340X34(N))	3128 138 55881
3624	Res, 100 ohm, 5%, 1/6W, Carbon Film.	3198 011 01010	5461	Transformer, Signal Driver, SCL0015-0	
3625	Res, 100 ohm, 5%, 1/6W, Carbon Film.	3198 011 01010		0 B.	2422 531 02465
3626	Res, 4K7, 5%, 1/10W, Metallized Glass	3198 021 54720	5463	Coil, Choke.	3128 138 37021
3627	Res, 4K7, 5%, 1/10W, Metallized Glass	3198 021 54720	5471	Coil, 3u3.	3198 018 73380
3628	Res, 10k, 5%, Carbon	3198 021 51030	5472	Coil, 3u3.	3198 018 23380
3630	Res, 2K2, 5%, 1/10W, Metallized Glass	3198 021 52220	5480	Coil, 47u (Used w/CRT A80ECK272X56).	2422 535 97337
3632	Res, Zero ohm, Chip Jumper	3198 021 90020	5480	Coil, 4u7 (Used w/CRT A80QCF340X34(N))	2422 535 94213
3635	Res, 100 ohm, 5%, 1/6W, Carbon Film.	3198 011 01010	S 5501	Filter, Mains, 5mH, 2A	2422 549 43432
3636	Res, 100 ohm, 5%, 1/10W, Metallized G		S 5520	Transformer, SMT Layer, SS39009-04 B	2422 531 02459
	lass	3198 021 51010	5521	Fixed, Inductor, 100MHz, 50R.	3198 018 90010
3637	Res, 75 ohm, 5%, 1/10W, Metallized Gl		5560	Fixed, Inductor, 100MHz, 50R.	3198 018 90010
	ass.	3198 021 57590	5561	Coil, 27u.	3198 018 22790
3681	Res, 390 ohm, 5%, 1/10W, Metallized G		5562	Fixed, Inductor, 100MHz, 50R.	3198 018 90010
	lass	3198 021 53910	5564	Fixed, Inductor, 100MHz, 50R.	3198 018 90010
3682	Res, 3K3, 5%, 1/10W, Metallized Glass	3198 021 53320	5602	Coil, 5u6.	3198 018 15680
3683	Res, 390 ohm, 5%, 1/10W, Metallized G		5603	Coil, 5u6.	3198 018 15680
	lass	3198 021 53910	5604	Coil, 5u6.	3198 018 15680
3684	Res, 560 ohm, 5%, 1/10W, Metallized G		5831	Coil, 6u8.	3198 018 16880
	lass	3198 021 55610	5832	Coil, 6u8.	3198 018 16880
3685	Res, 560 ohm, 5%, 1/10W, Metallized G		5833	Coil, 6u8.	3198 018 16880
	lass	3198 021 55610	5835	Coil, 12u.	3198 018 31290

S = Safety Part Be sure to use exact replacement part.

MS3250CK21 (continued)

6001	Zener Diode, 33 volt	3198 010 23390	9193	Wire Jumper, 0.58MM.	3198 036 90010
6201	Diode, Signal, BAS316.	3198 010 10630	9406	Wire Jumper, 0.58MM.	3198 036 90010
6202	Diode, Signal, BAS316.	3198 010 10630	9407	Wire Jumper, 0.58MM.	3198 036 90010
6206	Zener Diode, 6.8 volt.	3198 020 56880	9408	Wire Jumper, 0.58MM.	3198 036 90010
6400	Res, 1K, 1%, 3/5W, Metal Film.	2312 915 11002	9409	Wire Jumper, 0.58MM.	3198 036 90010
6401	Zener Diode, 47 volt	3198 010 24790	9410	Wire Jumper, 0.58MM.	3198 036 90010
6444	Diode, Signal, 1N4148.	3198 010 10010	9411	Wire Jumper, 0.58MM.	3198 036 90010
6445	Zener Diode, 10 volt	3198 020 51090	9412	Wire Jumper, 0.58MM.	3198 036 90010
6447	Diode, Signal, 1N4148.	3198 010 10010	9413	Wire Jumper, 0.58MM.	3198 036 90010
6448	Zener Diode, 6.2 volt.	9331 668 30133	9414	Wire Jumper, 0.58MM.	3198 036 90010
6449	Diode, Signal, BAV99	3198 010 10620	9415	Wire Jumper, 0.58MM.	3198 036 90010
6460	Diode, Rect, DG3-7005L	9336 436 10682	9416	Wire Jumper, 0.58MM.	3198 036 90010
6461	Diode, Rect, RGP30J-L7004.	9338 617 60682	9417	Wire Jumper, 0.58MM.	3198 036 90010
6462	Zener Diode, 9.1 volt.	9331 177 80133	9418	Wire Jumper, 0.58MM.	3198 036 90010
6465	Diode, Signal, BAV21	3198 010 10070	9419	Wire Jumper, 0.58MM.	3198 036 90010
6466	Diode, Signal, BAV21	3198 010 10070	9421	Wire Jumper, 0.58MM.	3198 036 90010
6467	Diode, Signal, SM BAV70.	9331 849 10215	9422	Wire Jumper, 0.58MM.	3198 036 90010
6468	Diode, Signal, BAS316.	3198 010 10630	9423	Wire Jumper, 0.58MM.	3198 036 90010
6470	Diode, Signal, BAV99	3198 010 10620	9425	Wire Jumper, 0.58MM.	3198 036 90010
6476	Zener Diode, 15 volt	3198 010 21590	9453	Wire Jumper, 0.58MM.	3198 036 90010
6481	Zener Diode, 5.6 volt.	3198 010 25680	9460	Wire Jumper, 0.58MM.	3198 036 90010
6482	Zener Diode, 9.1 volt.	9331 177 80133	9463	Wire Jumper, 0.58MM.	3198 036 90010
6483	Zener Diode, 33 volt	3198 010 23390	9500	Wire Jumper, 0.58MM.	3198 036 90010
6485	Diode, Rect, BYD33J	9337 234 20133	9501	Wire Jumper, 0.58MM.	3198 036 90010
6486	Diode, Rect, EGP20DL-5100.	9322 164 42682	9503	Wire Jumper, 0.58MM.	3198 036 90010
6487	Diode, Rect, BYD33D	9337 234 00133	S 9506	Wire Jumper, 0.58MM.	3198 036 90010
6488	Diode, Rect, EGP20DL-5100.	9322 164 42682	S 9507	Wire Jumper, 0.58MM.	3198 036 90010
6500	Diode, Bridge Rect, GBU6JL-7002	9322 138 08667	9512	Wire Jumper, 0.58MM.	3198 036 90010
6520	Diode, Rect, BYD33D	9337 234 00133	9513	Wire Jumper, 0.58MM.	3198 036 90010
6523	Diode, Signal, 1N4148.	3198 010 10010	9514	Wire Jumper, 0.58MM.	3198 036 90010
6524	Wire Jumper, 0.58MM.	3198 036 90010	9515	Wire Jumper, 0.58MM.	3198 036 90010
6525	Diode, Rect, 1N5062	3198 010 10120	9516	Wire Jumper, 0.58MM.	3198 036 90010
6540	Zener Diode, 6.2 volt.	9331 668 30133	9518	Wire Jumper, 0.58MM.	3198 036 90010
6541	Zener Diode, 9.1 volt.	9322 150 08685	9519	Wire Jumper, 0.58MM.	3198 036 90010
6560	Diode, Rect, BYV29X-500.	9340 555 59127	9520	Wire Jumper, 0.58MM.	3198 036 90010
6562	Diode, Rect, EGP20DL-5100.	9322 164 42682	9521	Wire Jumper, 0.58MM.	3198 036 90010
6563	Diode, Signal, BAS316.	3198 010 10630	9522	Wire Jumper, 0.58MM.	3198 036 90010
6565	Diode, Signal, BAV70	9331 849 10215	9524	Wire Jumper, 0.58MM.	3198 036 90010
6566	Diode, Signal, 1N4148.	3198 010 10010	9525	Wire Jumper, 0.58MM.	3198 036 90010
6569	Diode, Signal, BAS316.	3198 010 10630	9610	Wire Jumper, 0.58MM.	3198 036 90010
6570	Zener Diode, 6.8 volt.	3198 020 56880	9611	Coil, 27u.	3198 018 22790
6580	Diode, Signal, BAS316.	3198 010 10630	9612	Wire Jumper, 0.58MM.	3198 036 90010
6681	Diode Signal, IG BAT85	9336 247 60133	9613	Wire Jumper, 0.58MM.	3198 036 90010
6691	LED, VS LTL-10224WHCR.	9322 050 99682	9614	Wire Jumper, 0.58MM.	3198 036 90010
6692	IR, Receiver, TSOP1836UH3V	9322 127 54667	9615	Wire Jumper, 0.58MM.	3198 036 90010
6831	Diode, Signal, 1N4148.	3198 010 10010	9616	Wire Jumper, 0.58MM.	3198 036 90010
6901	Res, Zero ohm, Chip Jumper	3198 021 90020	9617	Wire Jumper, 0.58MM.	3198 036 90010
7101	Transistor, NPN, BC847B.	3198 010 42030	9618	Wire Jumper, 0.58MM.	3198 036 90010
7200	IC, SM TDA9588H/N1/3/0485.	9352 699 91557	9619	Wire Jumper, 0.58MM.	3198 036 90010
7201	Transistor, NPN, BC847B.	3198 010 42030	9620	Wire Jumper, 0.58MM.	3198 036 90010
7204	Transistor, PNP, BC857B.	3198 010 42150	9621	Wire Jumper, 0.58MM.	3198 036 90010
7205	Transistor, PNP, BC857B.	3198 010 42150	9622	Wire Jumper, 0.58MM.	3198 036 90010
7400	FET, Power, STP3NC60FP	9322 157 37687	9623	Wire Jumper, 0.58MM.	3198 036 90010
7441	Transistor, PNP, BC857B.	3198 010 42150	9624	Wire Jumper, 0.58MM.	3198 036 90010
7443	Transistor, PNP, BC557B.	3198 020 40110	9625	Wire Jumper, 0.58MM.	3198 036 90010
7460	Transistor, NPN, BU4508DX.	9340 550 92127	9626	Wire Jumper, 0.58MM.	3198 036 90010
7461	Transistor, NPN, BC337-25.	3198 020 43530	9627	Wire Jumper, 0.58MM.	3198 036 90010
7462	Transistor, NPN, PDT143ZT	9340 547 00215	9628	Wire Jumper, 0.58MM.	3198 036 90010
7463	Transistor, PNP, BC327-25.	3198 020 43430	9629	Wire Jumper, 0.58MM.	3198 036 90010
7471	IC, TDA8359J/N2.	9352 701 64112	9630	Wire Jumper, 0.58MM.	3198 036 90010
7480	Transistor, NPN, BD135	3198 020 41010	9631	Wire Jumper, 0.58MM.	3198 036 90010
7482	Transistor, NPN, BD135	3198 020 41010	9632	Wire Jumper, 0.58MM.	3198 036 90010
S 7515	Optic Coupler, TCET1103(G)	9322 140 14667	9633	Wire Jumper, 0.58MM.	3198 036 90010
7520	IC, TEA1507P/N1.	9352 673 56112	9634	Wire Jumper, 0.58MM.	3198 036 90010
7521	FET Power STPNCS0FP	9322 160 72687	9637	Wire Jumper, 0.58MM.	3198 036 90010
7522	Transistor, NPN, BC847B(COL)	3198 010 42030	9638	Wire Jumper, 0.58MM.	3198 036 90010
7540	Transistor, NPN, BC547B(COL)	3198 020 40030	9639	Wire Jumper, 0.58MM.	3198 036 90010
7541	Transistor, NPN, PDT114ET	9340 310 10215	9640	Wire Jumper, 0.58MM.	3198 036 90010
7542	Transistor, PNP, BC857B(COL)	3198 010 42150	9641	Wire Jumper, 0.58MM.	3198 036 90010
7560	IC, LE33CZ	9322 106 11676	9642	Wire Jumper, 0.58MM.	3198 036 90010
7561	Transistor, NPN, PDT143ZT	9340 547 00215	9643	Wire Jumper, 0.58MM.	3198 036 90010
7562	Transistor, PNP, BC857B(COL)	3198 010 42150	9644	Wire Jumper, 0.58MM.	3198 036 90010
7564	Transistor, PNP, BC857B(COL)	3198 010 42150	9645	Wire Jumper, 0.58MM.	3198 036 90010
7580	Transistor, PNP, BC857B(COL)	3198 010 42150	9646	Wire Jumper, 0.58MM.	3198 036 90010
7602	IC, M24C08-WB6N6.	9322 154 38682	9648	Wire Jumper, 0.58MM.	3198 036 90010
7606	Transistor, NPN, PDT143ZT	9340 547 00215	9650	Wire Jumper, 0.58MM.	3198 036 90010
7801	IC, SM HEF4052BT	9333 729 50653	9654	Wire Jumper, 0.58MM.	3198 036 90010
7831	IC, MSP3445G-PO-B8	9322 160 81682	9655	Wire Jumper, 0.58MM.	3198 036 90010
7901	IC, AN7522N.	9322 158 65667	9656	Wire Jumper, 0.58MM.	3198 036 90010
9001	Wire Jumper, 0.58MM.	3198 036 90010	9657	Wire Jumper, 0.58MM.	3198 036 90010
9121	Wire Jumper, 0.58MM.	3198 036 90010	9658	Wire Jumper, 0.58MM.	3198 036 90010
9122	Wire Jumper, 0.58MM.	3198 036 90010	9659	Wire Jumper, 0.58MM.	3198 036 90010
9171	Wire Jumper, 0.58MM.	3198 036 90010	9660	Wire Jumper, 0.58MM.	3198 036 90010
9172	Wire Jumper, 0.58MM.	3198 036 90010	9661	Wire Jumper, 0.58MM.	3198 036 90010
9173	Wire Jumper, 0.58MM.	3198 036 90010	9662	Wire Jumper, 0.58MM.	3198 036 90010
9175	Wire Jumper, 0.58MM.	3198 036 90010	9663	Wire Jumper, 0.58MM.	3198 036 90010
9176	Wire Jumper, 0.58MM.	3198 036 90010	9664	Wire Jumper, 0.58MM.	3198 036 90010
9178	Wire Jumper, 0.58MM.	3198 036 90010	9665	Wire Jumper, 0.58MM.	3198 036 90010
9179	Wire Jumper, 0.58MM.	3198 036 90010	9666	Wire Jumper, 0.58MM.	3198 036 90010
9182	Wire Jumper, 0.58MM.	3198 036 90010	9668	Wire Jumper, 0.58MM.	3198 036 90010
9183	Wire Jumper, 0.58MM.	3198 036 90010	9669	Wire Jumper, 0.58MM.	3198 036 90010
9192	Wire Jumper, 0.58MM.	3198 036 90010	9670	Wire Jumper, 0.58MM.	3198 036 90010

S = Safety Part. Be sure to use exact replacement part.

MS3250CK21 (continued)

9672	Wire Jumper, 0.58MM.	3198 036 90010	3344	Res, 22 ohm, 5%, 1/6W, Carbon Film .	3198 011 02290
9674	Wire Jumper, 0.58MM.	3198 036 90010	3345	VDR DC 1MA/ 50V S MAX 115V A	2322 593 13507
9675	Wire Jumper, 0.58MM.	3198 036 90010	3346	Res, 22 ohm, 5%, 1/6W, Carbon Film .	3198 011 02290
9676	Wire Jumper, 0.58MM.	3198 036 90010	3347	Res, Zero ohm, Chip Jumper	3198 021 90020
9678	Wire Jumper, 0.58MM.	3198 036 90010	3350	Res, Zero ohm, Chip Jumper	3198 021 90020
9679	Wire Jumper, 0.58MM.	3198 036 90010	3353	Res, Zero ohm, Chip Jumper	3198 021 90020
9680	Wire Jumper, 0.58MM.	3198 036 90010	5342	Coil, 15u.	2422 535 97331
9683	Wire Jumper, 0.58MM.	3198 036 90010	6331	Diode, Signal, BAV21	3198 010 10070
9685	Wire Jumper, 0.58MM.	3198 036 90010	6332	Diode, Signal, BAS316.	3198 010 10630
9686	Wire Jumper, 0.58MM.	3198 036 90010	6333	Diode, Signal, BAV21	3198 010 10070
9687	Wire Jumper, 0.58MM.	3198 036 90010	6335	Diode, Signal, BAV21	3198 010 10070
9688	Wire Jumper, 0.58MM.	3198 036 90010	7330	IC, TDA6107Q/N2.	9352 576 50112
9689	Wire Jumper, 0.58MM.	3198 036 90010	9311	Wire Jumper, 0.58MM.	3198 036 90010
9690	Wire Jumper, 0.58MM.	3198 036 90010	9341	Wire Jumper, 0.58MM.	3198 036 90010
9691	Wire Jumper, 0.58MM.	3198 036 90010	9342	Wire Jumper, 0.58MM.	3198 036 90010
9694	Wire Jumper, 0.58MM.	3198 036 90010	9343	Wire Jumper, 0.58MM.	3198 036 90010
9695	Wire Jumper, 0.58MM.	3198 036 90010			
9697	Wire Jumper, 0.58MM.	3198 036 90010			
9698	Wire Jumper, 0.58MM.	3198 036 90010			
9699	Wire Jumper, 0.58MM.	3198 036 90010			
9821	Wire Jumper, 0.58MM.	3198 036 90010			
9822	Wire Jumper, 0.58MM.	3198 036 90010			
9824	Wire Jumper, 0.58MM.	3198 036 90010			
9825	Wire Jumper, 0.58MM.	3198 036 90010			
9827	Wire Jumper, 0.58MM.	3198 036 90010			
9828	Wire Jumper, 0.58MM.	3198 036 90010			
9829	Wire Jumper, 0.58MM.	3198 036 90010			
9830	Wire Jumper, 0.58MM.	3198 036 90010			
9831	Wire Jumper, 0.58MM.	3198 036 90010			
9832	Wire Jumper, 0.58MM.	3198 036 90010			
9834	Wire Jumper, 0.58MM.	3198 036 90010			
9835	Wire Jumper, 0.58MM.	3198 036 90010			
9836	Wire Jumper, 0.58MM.	3198 036 90010			
9837	Wire Jumper, 0.58MM.	3198 036 90010			
9838	Wire Jumper, 0.58MM.	3198 036 90010			
9839	Wire Jumper, 0.58MM.	3198 036 90010			
9840	Wire Jumper, 0.58MM.	3198 036 90010			
9841	Wire Jumper, 0.58MM.	3198 036 90010			
9842	Wire Jumper, 0.58MM.	3198 036 90010			
9843	Wire Jumper, 0.58MM.	3198 036 90010			
9844	Wire Jumper, 0.58MM.	3198 036 90010			
9845	Wire Jumper, 0.58MM.	3198 036 90010			
9846	Wire Jumper, 0.58MM.	3198 036 90010			
9847	Wire Jumper, 0.58MM.	3198 036 90010			
9849	Wire Jumper, 0.58MM.	3198 036 90010			
9851	Wire Jumper, 0.58MM.	3198 036 90010			
9901	Wire Jumper, 0.58MM.	3198 036 90010			
9902	Wire Jumper, 0.58MM.	3198 036 90010			
9903	Wire Jumper, 0.58MM.	3198 036 90010			
9904	Wire Jumper, 0.58MM.	3198 036 90010			
9911	Wire Jumper, 0.58MM.	3198 036 90010			
9912	Wire Jumper, 0.58MM.	3198 036 90010			
9913	Wire Jumper, 0.58MM.	3198 036 90010			
9914	Wire Jumper, 0.58MM.	3198 036 90010			
9915	Wire Jumper, 0.58MM.	3198 036 90010			
9916	Wire Jumper, 0.58MM.	3198 036 90010			
9918	Wire Jumper, 0.58MM.	3198 036 90010			
9919	Wire Jumper, 0.58MM.	3198 036 90010			
9920	Wire Jumper, 0.58MM.	3198 036 90010			
9921	Wire Jumper, 0.58MM.	3198 036 90010			
9922	Wire Jumper, 0.58MM.	3198 036 90010			
9991	Wire Jumper, 0.58MM.	3198 036 90010			
9993	Wire Jumper, 0.58MM.	3198 036 90010			
9994	Wire Jumper, 0.58MM.	3198 036 90010			
9996	Wire Jumper, 0.58MM.	3198 036 90010			
9997	Wire Jumper, 0.58MM.	3198 036 90010			
9998	Wire Jumper, 0.58MM.	3198 036 90010			
CBA	Main Chassis Assembly.	3121 238 00141			

CRT Panel Parts (Part of Main Chassis)

CRT Panel Parts (Part of Main Chassis)					
0244	Connector, 5 Pin	2422 025 04853			
0245	Connector, 6 Pin	2422 025 04854			
S 0254	CRT Socket, 9 Pin.	2422 500 80067			
2330	Cap, 100n, 10%, 250v, Metallized Poly ester.	2222 368 90177			
2340	Cap, 10u, 20%, 250v, Electrolytic.	2020 012 93495			
2341	Cap, 3n3, 10%, 500v, Ceramic	3198 019 43320			
2342	Cap, 1n, 10%, 50v, Ceramic	3198 017 01020			
2343	Cap, 3n3, 10%, 2000v, Ceramic.	2020 558 90529			
2344	Cap, 100n, +80/-20%, 25v, Ceramic.	3198 023 21040			
2345	Cap, 1n, 10%, 500v, Ceramic.	3198 019 41020			
3331	Res, 100 ohm, 5%, 1/6W, Carbon Film.	3198 011 01010			
3332	Res, 1K, 20%, 1/2W, Carbon Film.	3198 013 01020			
3333	Res, 100 ohm, 5%, 1/6W, Carbon Film.	3198 011 01010			
3334	Res, 1K, 20%, 1/2W, Carbon Film.	3198 013 01020			
3335	Res, 100 ohm, 5%, 1/6W, Carbon Film.	3198 011 01010			
3336	Res, 1K, 20%, 1/2W, Carbon Film.	3198 013 01020			
S 3340	Res, 10 ohm, 5%, 1/2W, Metal Film.	2306 207 03109			
S 3341	Res, 1 ohm, 5%, 1/3W, Metal Film.	2306 204 03108			
S 3342	Res, 1 ohm, 5%, 1/3W, Metal Film.	2306 204 03108			
3343	Res, 1K5, 20%, 1/2W, Carbon Film	3198 013 01520			

S = Safety Part Be sure to use exact replacement part.

MS3650C327 - Manual no. 7629

Cabinet & Accessory Parts

	Cabinet & Accessory Parts			
AC11	Customer Control Buttons	3139	124	29991
AC07	Chassis Tray	3139	124	31323
AC09	Clip, Anode Lead	3135	014	04471
AC13	Holder, Degaussing Coil (4 Used)	3135	013	01651
AC16	Owner's Manual	3121	235	20121
AC16b	Quick Use Guide.	3121	233	40921
S AC01	AC Cord.	3135	010	05051
AC15	Jack Panel Bracket Assembly.	3139	124	37511
AC04	Cabinet Back	3139	124	25332
AC20	Cabinet Front Assembly f/MS3650C327.	3121	237	51851
AC20a	Cabinet Front.	3139	138	11581
AC20f	Power Button	3139	124	30891
AC20d	Light Guide.	3139	124	26461
AC20j	Speaker, Full Range, 16 ohm, 5W (2 Us ed).	2422	264	00401
REMOTE	Remote Transmitter, RC2524/17.	3139	228	87491
AC03	Battery, 1.5V, 2-PACK.	9299	000	65263
S AC10	CRT, A90AKB50X07(V).	9322	186	37682
S AC12	Degaussing Coil.	2422	549	43972

Main Chassis Assembly Parts

	Main Chassis Assembly Parts			
0118	U-Cooling Plate.	3139	121	26731
0127	Socket Fuse.	2422	088	00271
0136	IC-Spring.	3104	301	22081
0137	Spring	3139	121	24581
0138	IC-Spring.	3104	301	22081
0139	Spring for Bracket	3122	121	24786
0140	Spring	3139	121	24581
0141	IC-Spring.	3104	301	22081
S 0211	Connector, 2 Pin	2422	025	16269
S 0212	Connector, 2 Pin	2422	025	16375
0220	Connector, 5 Pin	2422	025	04853
S 0221	Connector, 4 Pin	2422	025	15503
S 0222	Connector, 2 Pin	2422	025	10646
0223	Socket, CINCH, 6 Pin	2422	026	05184
0225	Socket, MDIN, 10 Pin	2422	026	04926
0243	Connector, 6 Pin	2422	025	04854
0267	Connector, 3 Pin	2412	020	00725
0280	Connector, 4 Pin	2422	025	12479
0320	Factory Plate.	3122	120	01701
1000	Tuner, V+U PLL	2422	542	90098
1002	SAW Filter, 45MHZ75, OFWMM1971M L	2422	549	44518
1200	Filter, Ceramic, 4MHz5	2422	549	40807
S 1500	Fuse, 4A, 250V, IEC.	2422	086	10869
S 1515	Relay, 1P, 12V	2422	132	07444
1600	Tact Switch.	2422	128	02742
1601	Tact Switch.	2422	128	02742
1602	Tact Switch.	2422	128	02742
1603	Tact Switch.	2422	128	02742
1606	Tact Switch.	2422	128	02742
1660	Crystal Resonator, 12 MHz, 20P, HC49/ U A.	2422	543	01203
1831	Crystal Resonator, 18MHZ432 12P HC49 /U A	2422	543	00842
2004	Cap, 47n, 10%, 16v, Ceramic.	3198	017	34730
2005	Cap, 10u, 20%, 50v, Electrolytic	3198	025	51090
2006	Cap, 470u, 20%, 16v, Electrolytic.	3198	025	24710
2007	Cap, 100n, +80/-20%, 25v, Ceramic.	3198	023	21040
2008	Cap, 100u, 20%, 25v, Electrolytic.	3198	025	31010
2009	Cap, 22n, 10%, 50v, Ceramic.	3198	017	02230
2101	Cap, 470n, +80/-20%, 16v, Ceramic.	3198	017	24740
2102	Cap, 22p, 5%, 50v, Ceramic	3198	016	02290
2103	Cap, 330p, 10%, 50v, Ceramic	3198	017	03310
2104	Cap, 330p, 10%, 50v, Ceramic	3198	017	03310
2105	Cap, 10u, 20%, 50v, Electrolytic	3198	025	51090
2106	Cap, 10u, 20%, 50v, Electrolytic	3198	025	51090
2122	Cap, 330p, 10%, 50v, Ceramic	3198	017	03310
2123	Cap, 2u2, +80/-20%, 10v, Ceramic	3198	017	22250
2124	Cap, 330p, 10%, 50v, Ceramic	3198	017	03310
2125	Cap, 2u2, +80/-20%, 10v, Ceramic	3198	017	22250
2135	Cap, 22p, 5%, 50v, Ceramic	3198	016	02290
2136	Cap, 22p, 5%, 50v, Ceramic	3198	016	02290
2141	Cap, 330p, 10%, 50v, Ceramic	3198	017	03310
2202	Cap, 100n, +80/-20%, 25v, Ceramic.	3198	023	21040
2203	Cap, 100n, +80/-20%, 25v, Ceramic.	3198	023	21040
2204	Cap, 100n, +80/-20%, 25v, Ceramic.	3198	023	21040
2205	Cap, 220n, +80/-20%, 25v, Ceramic.	3198	023	22240
2208	Cap, 100n, +80/-20%, 25v, Ceramic.	3198	023	21040
2209	Cap, 10u, 20%, 50v, Electrolytic	3198	025	51090
2210	Cap, 1u, +80/-20%, 16v, Ceramic.	3198	017	21050
2211	Cap, 470n, +80/-20%, 16v, Ceramic.	3198	017	24740
2216	Cap, 1000u, 20%, 16v, Electrolytic	3198	026	21020
2217	Cap, 22n, 10%, 50v, Ceramic.	3198	017	02230
2219	Cap, 220n, +80/-20%, 25v, Ceramic.	3198	023	22240
2220	Cap, 470n, 10%, 50v, Polyester	3198	014	04740
2221	Cap, 22n, 10%, 50v, Ceramic.	3198	017	02230
2241	Cap, 1n5, 10%, 50v, Ceramic.	3198	017	01520
2242	Cap, 1u, +80/-20%, 16v, Ceramic.	3198	017	21050
2243	Cap, 2n2, 10%, 50v, Ceramic.	3198	017	02220

S = Safety Part Be sure to use exact replacement part.

2244	Cap, 100n, 10%, 63v, Metallized Poly ester	2222	370	75104
2245	Cap, 220n, +80/-20%, 16v, Ceramic.	3198	023	22240
2247	Cap, 1000u, 20%, 16v, Electrolytic	3198	026	21020
2248	Cap, 22n, 10%, 50v, Ceramic.	3198	017	02230
2249	Cap, 22n, 10%, 50v, Ceramic.	3198	017	02230
2250	Cap, 2u2, 20%, 50v, Electrolytic	3198	025	52280
2252	Cap, 1n, 5%, 50v, Ceramic.	3198	016	01020
2253	Cap, 1n, 5%, 50v, Ceramic.	3198	016	01020
2254	Res, Zero ohm, Chip Jumper	3198	021	90020
2401	Cap, 2u2, 20%, 50v, Electrolytic	2020	021	90552
2402	Cap, 470p, 10%, 500v, Ceramic.	3198	019	44710
2404	Cap, 47u, 20%, 50v, Electrolytic	3198	025	54790
2405	Cap, 220u, 20%, 25v, Electrolytic.	3198	025	32210
2441	Cap, 1u, 20%, 50v, Electrolytic.	3198	025	51080
2443	Cap, 47n, +80/-20%, 50v, Ceramic	3198	017	24730
2444	Cap, 1u, 20%, 50v, Electrolytic.	3198	025	51080
2450	Cap, 47u, 20%, 160v, Electrolytic.	2020	021	91139
2451	Cap, 15n, 10%, 50v, Polyester.	3198	014	01530
2452	Cap, 180p, 5%, 50v, Ceramic.	3198	016	01810
2455	Cap, 47u, 20%, 25v, Electrolytic	3198	025	34790
2456	Cap, 560n, 5%, 250v, Metallized Polyp ropylene	2022	333	00088
2458	Cap, 2u2, 20%, 100v, Electrolytic.	2020	021	91331
2459	Cap, 680p, 10%, 500v, Ceramic.	3198	019	46810
2460	Cap, 100p, 5%, 50v, Ceramic.	3198	016	01010
2463	Cap, 390p, 10%, 2000v, Ceramic	2020	558	90482
2464	Cap, 2u2, 5%, 160v, Metallized Polyp r opylene.	2222	479	90042
2465	Cap, 15n, 5%, 1600v, Polypropylene	2020	301	90255
2467	Cap, 15n, 10%, 400v, Polyester	2222	347	90219
2468	Cap, 15n, 10%, 400v, Polyester	2222	347	90219
2471	Cap, 100n, 10%, 50v, Polyester	3198	014	01040
2472	Cap, 150n, 10%, 63v, Metallized Poly ester	2222	365	75154
2473	Cap, 100n, 10%, 63v, Metallized Poly ester	2222	365	75104
2474	Cap, 2n2, 10%, 50v, Ceramic.	3198	017	02220
2475	Cap, 2n2, 10%, 50v, Ceramic.	3198	017	02220
2476	Cap, 4n7, 10%, 50v, Ceramic.	3198	017	04720
2480	Cap, 47u, 20%, 25v, Electrolytic	2020	021	90586
2481	Cap, 470p, 10%, 500v, Ceramic.	3198	019	44710
2482	Cap, 68n, 10%, 250v, Polyester	2222	347	90234
2485	Cap, 4u7, 20%, 250v, Electrolytic.	2020	021	90856
2486	Cap, 470u, 20%, 16v, Electrolytic.	2020	021	91577
2487	Cap, 47u, 20%, 50v, Electrolytic	2020	021	90854
2488	Cap, 1000u, 20%, 16v, Electrolytic	2020	021	91049
2489	Cap, 470u, 20%, 16v, Electrolytic.	2020	021	91577
2491	Cap, 1n, 10%, 500v, Ceramic.	3198	019	41020
S 2500	Cap, 470n, 20%, 275v, Metallized Poly propylene.	2022	330	00018
2501	Cap, 2n2, 10%, 1000v, Ceramic.	3198	019	52220
2502	Cap, 2n2, 10%, 1000v, Ceramic.	3198	019	52220
2503	Cap, 470u, 20%, 200v, Electrolytic	2020	024	90626
2505	Cap, 2n2, 10%, 1000v, Ceramic.	3198	019	52220
2507	Cap, 470p, 10%, 50v, Ceramic	3198	017	04710
2508	Cap, 470p, 10%, 1000v, Ceramic	3198	019	64710
S 2515	Cap, 1n5, 20%, v, Ceramic.	2020	554	90128
2520	Cap, 100n, 10%, 16v, Ceramic	3198	017	01040
2521	Cap, 22u, 20%, 50v, Electrolytic	3198	025	52290
2522	Cap, 100n, 10%, 16v, Ceramic	3198	017	01040
2523	Cap, 1n5, 10%, 2000v, Ceramic.	2020	558	90489
2525	Cap, 470p, 10%, 500v, Ceramic	3198	017	04710
2527	Cap, 2n2, 10%, 50v, Ceramic.	3198	017	02220
2528	Cap, 1n, 10%, 50v, Ceramic	3198	017	01020
2540	Cap, 10n, 10%, 50v, Ceramic.	3198	017	01030
2541	Cap, 10n, 10%, 50v, Ceramic.	3198	017	01030
2560	Cap, 680p, 10%, 1000v, Ceramic	2020	558	90472
2561	Cap, 100u, 20%, 160v, Electrolytic	2020	021	91654
2562	Cap, 1n, 10%, 50v, Ceramic	3198	019	11020
2563	Cap, 100n, 10%, 50v, Polyester	3198	014	01040
2564	Cap, 2u2, 20%, 25v, Electrolytic	2020	021	91353
2566	Cap, 470u, 20%, 6.3v, Electrolytic	3198	025	44710
2567	Cap, 47u, 20%, 25v, Electrolytic	3198	025	34790
2568	Cap, 1u, 20%, 50v, Electrolytic.	3198	025	51080
2580	Cap, 47u, 20%, 16v, Electrolytic	3198	028	24790
2581	Cap, 22u, 20%, 50v, Electrolytic	3198	025	52290
2601	Cap, 220n, +80/-20%, 25v, Ceramic.	3198	023	22240
2602	Cap, 100p, 5%, 50v, Ceramic.	3198	016	01010
2606	Cap, 1n, 10%, 50v, Ceramic	3198	017	01020
2607	Cap, 33p, 5%, 50v, Ceramic	3198	016	03390
2608	Cap, 1u, +80/-20%, 16v, Ceramic.	3198	017	21050
2609	Cap, 33p, 5%, 50v, Ceramic	3198	016	03390
2611	Cap, 1u, +80/-20%, 16v, Ceramic.	3198	017	21050
2612	Cap, 68p, 5%, 50v, Ceramic	3198	016	06890
2613	Cap, 68p, 5%, 50v, Ceramic	3198	016	06890
2615	Cap, 1n, 10%, 50v, Ceramic	3198		

MS3650C327 (continued)

2806	Res, Zero ohm, Chip Jumper	3198 021 90020	3256	Res, 1k, 5%, Carbon.	3198 021 51020
2831	Cap, 1p, 25%, 50v, Ceramic	3198 016 01080	3257	Res, 10M, 5%, 1/10W, Metallized Glass	3198 021 51060
2832	Cap, 1p, 25%, 50v, Ceramic	3198 016 01080	3258	Res, 100K, 5%, 1/10W, Metallized Glas	3198 021 51040
2833	Cap, 47p, 5%, 50v, Ceramic	3198 016 04790	3259	Res, 470K, 5%, 1/10W, Metallized Glas	3198 021 54740
2834	Cap, 470p, 5%, 50v, Ceramic.	3198 016 04710	3400	Res, 330 ohm, 5%, 1/6W, Carbon Film.	3198 011 03310
2835	Cap, 220p, 5%, 50v, Ceramic.	3198 016 02210	3401	Res, 33K, 5%, 1/6W, Carbon Film. . .	3198 011 03330
2836	Cap, 1n5, 10%, 50v, Ceramic.	3198 017 01520	3403	Res, 100K, 5%, 1/6W, Carbon Film . .	3198 011 01040
2837	Cap, 4u7, 20%, 50v, Electrolytic . .	3198 025 54780	3404	Res, 1K, 5%, 1/6W, Carbon Film . . .	3198 011 01020
2840	Cap, 100n, +80/-20%, 25v, Ceramic. .	3198 023 21040	3405	Res, 4R7, 5%, 1/6W, Carbon Film. . .	3198 011 04780
2841	Cap, 10u, 20%, 50v, Electrolytic . .	3198 025 51090	3406	Res, 4R7, 5%, 1/6W, Carbon Film. . .	3198 011 04780
2842	Cap, 100n, +80/-20%, 25v, Ceramic. .	3198 023 21040	3408	Res, 100 ohm, 5%, 1/6W, Carbon Film.	3198 011 01010
2843	Cap, 10u, 20%, 50v, Electrolytic . .	3198 025 51090	3410	Res, 10K, 5%, 1/6W, Carbon Film. . .	3198 011 01030
2844	Cap, 10u, 20%, 50v, Electrolytic . .	3198 025 51090	3411	Res, 4R7, 5%, 1/3W, Metal Film . . .	2306 204 03478
2845	Cap, 100n, +80/-20%, 25v, Ceramic. .	3198 023 21040	3441	Res, 100 ohm, 5%, 1/10W, Metallized G	
2846	Cap, 100u, 20%, 25v, Electrolytic. .	3198 025 31010		lass	3198 021 51010
2849	Cap, 1n, 5%, 50v, Ceramic.	3198 016 01020	3442	Res, Zero ohm, Chip Jumper	3198 021 90020
2850	Cap, 1n, 5%, 50v, Ceramic.	3198 016 01020	3443	Res, 1M, 5%, 1/10W, Metallized Glass	3198 021 51050
2851	Res, Zero ohm, Chip Jumper	3198 021 90020	3445	Res, 15K, 5%, 1/6W, Carbon Film. . .	3198 011 01530
2852	Cap, 1n, 5%, 50v, Ceramic.	3198 016 01020	3446	Res, 5K6, 5%, 1/6W, Carbon Film. . .	3198 011 05620
2853	Res, Zero ohm, Chip Jumper	3198 021 90020	3447	Res, 180 ohm, 5%, 1/6W, Carbon Film.	3198 011 01810
2854	Cap, 1n, 5%, 50v, Ceramic.	3198 016 01020	3448	Res, 820 ohm, 5%, 1/6W, Carbon Film.	3198 011 08210
2855	Cap, 33p, 5%, 50v, Ceramic	3198 016 03390	3449	Res, 68 ohm, 5%, 1/6W, Carbon Film .	3198 011 06890
2856	Cap, 47p, 5%, 50v, Ceramic	3198 016 04790	3450	Res, 33 ohm, 5%, 1/6W, Carbon Film .	3198 011 03390
2857	Cap, 150p, 5%, 50v, Ceramic.	3198 016 01510	S 3451	Res, 8R2, 5%, 1/3W, Metal Film . . .	2306 204 03828
2860	Cap, 180p, 5%, 50v, Ceramic.	3198 016 01810	3452	Res, 5K6, 1%, 3/5W, Metal Film . . .	2312 915 15602
2894	Cap, 220p, 5%, 50v, Ceramic.	3198 016 02210	3453	Res, 1K, 5%, 1/6W, Carbon Film . . .	3198 011 01020
2895	Cap, 560p, 5%, 50v, Ceramic.	3198 016 05610	3454	Res, 2K, 1%, 3/5W, Metal Film. . . .	2312 915 12002
2897	Cap, 390p, 5%, 50v, Ceramic.	3198 016 03910	3455	Res, 6R8, 5%, 1 1/3W, Metal Film . .	3198 012 26880
2898	Cap, 10n, 10%, 50v, Ceramic.	3198 017 01030	3456	Res, Zero ohm, Chip Jumper	3198 021 90020
2902	Cap, 1000u, 20%, 16v, Electrolytic .	3198 026 21020	3457	Res, Zero ohm, Chip Jumper	3198 021 90020
2903	Cap, 1u, 20%, 50v, Electrolytic. . .	3198 025 51080	3458	Res, 1K, 5%, 1/6W, Carbon Film . . .	3198 011 01020
2904	Cap, 470n, +80/-20%, 16v, Ceramic. .	3198 017 24740	3459	Res, 15K, 5%, 1 1/3W, Metal Film . .	3198 012 21530
2905	Cap, 1n, 10%, 50v, Ceramic	3198 017 01020	3460	Res, 3K9, 5%, 1/6W, Carbon Film. . .	3198 011 03920
2906	Cap, 470n, +80/-20%, 16v, Ceramic. .	3198 017 24740	3463	Res, 33 ohm, 5%, 1/6W, Carbon Film .	3198 011 03390
2907	Cap, 1n, 10%, 50v, Ceramic	3198 017 01020	3465	Res, 27K, 1%, 3/5W, Metal Film . . .	2312 915 12703
2908	Cap, 10u, 20%, 50v, Electrolytic . .	3198 025 51090	3468	Res, 180 ohm, 5%, 1/6W, Carbon Film.	3198 011 01810
2910	Cap, 3n3, 10%, 50v, Ceramic.	3198 017 03320	3469	Res, 3K3, 5%, 1/6W, Carbon Film. . .	3198 011 03320
2911	Cap, 3n3, 10%, 50v, Ceramic.	3198 017 03320	3470	Res, 270K, 5%, 1/10W, Metallized Glas	2120 108 91725
2950	Cap, 330p, 5%, 50v, Ceramic.	3198 016 03310	3471	Res, 3R3, 1%, 3/5W, Metal Film . . .	2312 915 13308
3000	Res, 100 ohm, 5%, 1/6W, Carbon Film.	3198 011 01010	3472	Res, 3R3, 1%, 3/5W, Metal Film . . .	2312 915 13308
3001	Res, 100 ohm, 5%, 1/6W, Carbon Film.	3198 011 01010	3473	Res, 5R6, 1%, 3/5W, Metal Film . . .	2312 915 15608
3002	Res, Zero ohm, Chip Jumper	3198 021 90020	3474	Res, 2K2, 1%, 3/5W, Metal Film . . .	2312 915 12202
3003	Res, 1K5, 5%, 1/16W, Metallized Glass	3198 021 31520	3475	Res, 2K2, 1%, 3/5W, Metal Film . . .	2312 915 12202
3004	Res, 8K2, 5%, 1/16W, Metallized Glass	3198 021 38220	3477	Res, 150 ohm, 5%, 1/6W, Carbon Film.	3198 011 01510
3005	Res, 100 ohm, 5%, 1/6W, Carbon Film.	3198 011 01010	3478	Res, 150 ohm, 5%, 1/6W, Carbon Film.	3198 011 01510
3101	Res, 68 ohm, 5%, 1/6W, Carbon Film .	3198 011 06890	3479	Res, 2K7, 5%, 1/10W, Metallized Glass	3198 021 52720
3102	Res, 1K, 5%, 1/16W, Metallized Glass	3198 021 31020	3480	Res, 1R5, 5%, 1/4W, Carbon Film. . .	2120 101 74158
3103	Res, 150 ohm, 5%, 1/6W, Carbon Film.	3198 011 01510	3481	Res, 12k, 1%, Metal Film	2312 915 11203
3104	Res, 220K, 5%, 1/16W, Metallized Glas	3198 021 32240	3482	Res, 10K, 1%, 3/5W, Metal Film . . .	2312 915 11003
3105	Res, 150 ohm, 5%, 1/6W, Carbon Film.	3198 011 01510	3484	Res, 3K9, 5%, 1/6W, Carbon Film. . .	3198 011 03920
3106	Res, 220K, 5%, 1/16W, Metallized Glas	3198 021 32240	3486	Res, 33 ohm, 5%, 2 1/2W, Metal Film.	3198 012 33390
3123	Res, 150 ohm, 5%, 1/6W, Carbon Film.	3198 011 01510	3488	Res, 4R7, 5%, 1/2W, Metal Film . . .	2306 207 03478
3124	Res, 47K, 5%, 1/16W, Metallized Glass	3198 021 34730	3490	Res, 8K2, 5%, 1/6W, Carbon Film. . .	3198 011 08220
3125	Res, 150 ohm, 5%, 1/6W, Carbon Film.	3198 011 01510	3492	Res, 1k, 5%, Carbon.	3198 021 51020
3126	Res, 47K, 5%, 1/16W, Metallized Glass	3198 021 34730	3493	Res, 6R8, 5%, 1/3W, Metal Film . . .	2306 204 03688
3135	Res, 75 ohm, 5%, 1/6W, Carbon Film .	3198 011 07590	3494	Res, 4R7, 5%, 1/2W, Metal Film . . .	2306 207 03478
3136	Res, 100 ohm, 5%, 1/6W, Carbon Film.	3198 011 01010	3495	Res, 22k, 5%, Carbon	3198 021 52230
3138	Wire Jumper, 0.58MM.	3198 036 90010	3496	Res, 100K, 5%, 1/10W, Metallized Glas	3198 021 51040
3141	Res, 1K, 5%, 1/6W, Carbon Film . . .	3198 011 01020	3497	Res, 100K, 5%, 1/10W, Metallized Glas	3198 021 51040
3200	Res, 390 ohm, 5%, 1/6W, Carbon Film.	3198 011 03910	3498	Res, 12K, 5%, 1/10W, Metallized Glass	3198 021 51230
3201	Res, 100 ohm, 5%, 1/6W, Carbon Film.	3198 011 01010	3499	Res, 10k, 5%, Carbon	3198 021 51030
3202	Res, 100 ohm, 5%, 1/6W, Carbon Film.	3198 011 01010	S 3500	Res, 3M3, 5%, 1/2W, Metallized Glass	2322 242 13335
3203	Res, 100 ohm, 5%, 1/6W, Carbon Film.	3198 011 01010	S 3501	Res, 3M3, 5%, 1/2W, Metallized Glass	2322 242 13335
3204	Res, 22K, 5%, 1/6W, Carbon Film. . .	3198 011 02230	3504	Res, 3 ohm, +30%/-20%, 144v, PTC, Car	
3206	Res, 270K, 5%, 1/8W, Metallized Glass	2322 730 61274		bon Film	2122 663 00019
3207	Res, 1K, 5%, 1/6W, Carbon Film . . .	3198 011 01020	S 3506	Res, 1M5, 5%, 1/2W, Metallized Glass	2322 242 13155
3208	Res, 220 ohm, 5%, 1/16W, Metallized G		S 3507	Surge Protector, DSP-301N-A21F A . .	2422 549 43073
	lass	3198 021 32210	S 3508	Res, 220 ohm, 20%, 1/2W, Carbon Film	3198 013 02210
3209	Res, 68 ohm, 5%, 1/16W, Metallized Gl		3510	Res, 4.7 ohm, 20%, 3W1, NTC, Carbon F	
	ass.	3198 021 36890		ilm.	2122 612 00056
3212	Res, 470 ohm, 5%, 1/16W, Metallized G		3519	Res, 270 ohm, 5%, 1/6W, Carbon Film.	3198 011 02710
	lass	3198 021 34710	3520	Res, 1K2, 5%, 1/10W, Metallized Glass	3198 021 51220
3213	Res, 560 ohm, 5%, 1/6W, Carbon Film.	3198 011 05610	3521	Res, 4R7, 5%, 1/6W, Carbon Film. . .	3198 011 04780
3217	Res, 330K, 5%, 1/16W, Metallized Glas	3198 021 33340	3522	Res, 330K, 5%, 1/10W, Metallized Glas	3198 021 53340
3218	Res, 82K, 5%, 1/16W, Metallized Glass	3198 021 38230	S 3523	Res, 100 ohm, 5%, 1/3W, Metal Film .	2306 204 03101
3219	Res, 2K2, 5%, 1/16W, Metallized Glass	3198 021 32220	3524	Res, 56K, 5%, 1/10W, Metallized Glass	3198 021 55630
3220	Res, 100 ohm, 5%, 1/6W, Carbon Film.	3198 011 01010	3525	Res, 1k, 5%, Carbon.	3198 021 51020
3221	Res, 560 ohm, 5%, 1/6W, Carbon Film.	3198 011 05610	3526	Res, 0R1, 5%, 3/5W, Metal Film . . .	3198 012 11070
3222	Res, 100 ohm, 5%, 1/6W, Carbon Film.	3198 011 01010	3527	Res, 0R33, 5%, 3/5W, Metal Film. . .	3198 012 13370
3226	Res, 560 ohm, 5%, 1/16W, Metallized G		3528	Res, Zero ohm, Chip Jumper	3198 021 90020
	lass	3198 021 35610	3529	Res, 47K, 5%, 1/10W, Metallized Glass	3198 021 54730
3235	Res, 100 ohm, 5%, 1/6W, Carbon Film.	3198 011 01010	3530	Res, 10k, 5%, Carbon	3198 021 51030
3241	Res, 22K, 5%, 1/16W, Metallized Glass	3198 021 32230	3531	Res, 4K7, 5%, 1/10W, Metallized Glass	3198 021 54720
3242	Res, 12K, 5%, 1/10W, Metallized Glass	3198 021 51230	S 3532	Res, 2K2, 5%, 1/3W, Metal Film . . .	2306 204 03222
3244	Res, 820 ohm, 5%, 1/6W, Carbon Film.	3198 011 08210	3541	Res, 470 ohm, 5%, 1/10W, Metallized G	
3245	Res, 39K, 5%, 1/10W, Metallized Glass	3198 021 53930		lass	3198 021 54710
3246	Res, 10k, 5%, Carbon	3198 021 51030	3542	Res, 1K5, 5%, 1/10W, Metallized Glass	3198 021 51520
3247	Res, 680K, 5%, 1/10W, Metallized Glas	3198 021 56840	3543	Res, 82K, 1%, 3/5W, Metal Film . . .	2312 915 18203
3248	Res, 33K, 5%, 1/10W, Metallized Glass	3198 021 53330	3544	Res, 4K7, 1%, 1/8W, Metallized Glass	2322 734 64702
3249	Res, 820 ohm, 5%, 1/6W, Carbon Film.	3198 011 08210	3545	Res, 270K, 5%, 1/10W, Metallized Glas	2120 108 91725
3250	Res, 8K2, 5%, 1/6W, Carbon Film. . .	3198 011 08220	3548	Res, 15K, 5%, 1/10W, Metallized Glass	3198 021 51530
3251	Res, 100 ohm, 5%, 1/6W, Carbon Film.	3198 011 01010	3552	Res, 4K7, 5%, 1/10W, Metallized Glass	3198 021 54720

S = Safety Part Be sure to use exact replacement part.

MS3650C327 (continued)

3557	Res, 1k, 5%, Carbon	3198 021 51020	4614	Res, Zero ohm, Chip Jumper	3198 021 90020
3560	Res, 47 ohm, 5%, 1/6W, Carbon Film	3198 011 04790	4615	Res, Zero ohm, Chip Jumper	3198 021 90020
3561	Res, 100 ohm, 5%, 1/6W, Carbon Film	3198 011 01010	4617	Res, Zero ohm, Chip Jumper	3198 021 90020
3562	Res, 12K, 5%, 1/10W, Metallized Glass	3198 021 51230	4619	Res, Zero ohm, Chip Jumper	3198 021 90020
3563	Res, 5K6, 5%, 1/10W, Metallized Glass	3198 021 55620	4622	Res, Zero ohm, Chip Jumper	3198 021 90020
3564	Res, 0R1, 5%, 1 1/3W, Metal Film	3198 012 21070	4623	Res, Zero ohm, Chip Jumper	3198 021 90020
3565	Res, 330 ohm, 5%, 1W, Metal Film	3198 012 13310	4691	Res, Zero ohm, Chip Jumper	3198 021 90020
3566	Res, 2K2, 5%, 1/10W, Metallized Glass	3198 021 52220	4692	Res, Zero ohm, Chip Jumper	3198 021 90020
3567	Res, 1K8, 5%, 1/16W, Metallized Glass	3198 021 31820	4693	Res, Zero ohm, Chip Jumper	3198 021 90020
3568	Res, 8K2, 5%, 1/10W, Metallized Glass	3198 021 58220	4696	Res, Zero ohm, Chip Jumper	3198 021 90020
3569	Res, 5K6, 5%, 1/10W, Metallized Glass	3198 021 55620	4804	Res, Zero ohm, Chip Jumper	3198 021 90020
3580	Res, 47K, 5%, 1/10W, Metallized Glass	3198 021 54730	4831	Res, Zero ohm, Chip Jumper	3198 021 90020
3594	Res, 330 ohm, 5%, 1/10W, Metallized Glass	3198 021 53310	4833	Res, Zero ohm, Chip Jumper	3198 021 90020
3595	Res, 220K, 5%, 1/10W, Metallized Glass	3198 021 52240	4835	Res, Zero ohm, Chip Jumper	3198 021 90020
3596	Res, 220K, 5%, 1/10W, Metallized Glass	3198 021 52240	4901	Res, Zero ohm, Chip Jumper	3198 021 90020
3601	Res, 8K2, 5%, 1/6W, Carbon Film	3198 011 08220	4903	Res, Zero ohm, Chip Jumper	3198 021 90020
3603	Res, 100 ohm, 5%, 1/6W, Carbon Film	3198 011 01010	4982	Res, Zero ohm, Chip Jumper	3198 021 90020
3604	Res, 100 ohm, 5%, 1/6W, Carbon Film	3198 011 01010	5001	Coil, 27u	3198 018 22790
3605	Res, 4K7, 5%, 1/16W, Metallized Glass	3198 021 34720	5002	Coil, 820n	3198 018 18270
3606	Res, 2K2, 5%, 1/6W, Carbon Film	3198 011 02220	5201	Coil, 6u8	3198 018 16880
3607	Res, 2K2, 5%, 1/6W, Carbon Film	3198 011 02220	5202	Wire Jumper, 0.58MM	3198 036 90010
3608	Res, 100 ohm, 5%, 1/6W, Carbon Film	3198 011 01010	5204	Fixed, Inductor, 100MHZ, 80 ohm	3198 018 90020
3609	Res, 1K, 5%, 1/6W, Carbon Film	3198 011 01020	5205	Fixed, Inductor, 100MHZ, 80 ohm	3198 018 90020
3610	Res, 8K2, 5%, 1/6W, Carbon Film	3198 011 08220	5206	Fixed, Inductor, 100MHZ, 80 ohm	3198 018 90020
3611	Res, 100 ohm, 5%, 1/16W, Metallized Glass	3198 021 31010	5241	Wire Jumper, 0.58MM	3198 036 90010
3618	Res, 6K8, 5%, 1/6W, Carbon Film	3198 011 06820	5242	Coil, 10u	3198 018 11090
3622	Res, 100 ohm, 5%, 1/10W, Metallized Glass	3198 021 51010	5401	Coil, 1m	3198 018 71020
3623	Res, 4K7, 5%, 1/16W, Metallized Glass	3198 021 34720	S 5445	Transformer, LOT PSL0T 29''	3128 138 21421
3624	Res, 100 ohm, 5%, 1/6W, Carbon Film	3198 011 01010	5451	Coil, 33u	3198 018 73390
3625	Res, 100 ohm, 5%, 1/6W, Carbon Film	3198 011 01010	5452	Fixed, Inductor, 100MHZ, 80 ohm	3198 018 90020
3626	Res, 4K7, 5%, 1/16W, Metallized Glass	3198 021 34720	5457	Linear Correction Coil	3128 138 55881
3627	Res, 4K7, 5%, 1/16W, Metallized Glass	3198 021 34720	5461	Transformer, Signal Driver, SC10015-0	
3628	Res, 10K, 5%, 1/16W, Metallized Glass	3198 021 31030	5463	Coil, Choke	2422 531 02465
3630	Res, 2K2, 5%, 1/16W, Metallized Glass	3198 021 32220	5471	Coil, 4u7	3198 018 74780
3632	Res, Zero ohm, Chip Jumper	3198 021 90020	5472	Coil, 3u3	3198 018 23380
3635	Res, 100 ohm, 5%, 1/6W, Carbon Film	3198 011 01010	5480	Fixed Inductor, 39u, 10%, LAL04	2422 535 97336
3636	Res, 100 ohm, 5%, 1/10W, Metallized Glass	3198 021 51010	S 5501	Filter, Mains, 5mH, 2A	2422 549 43432
3637	Res, 75 ohm, 5%, 1/16W, Metallized Glass	3198 021 37590	S 5520	Transformer, SMT Layer, SS39009-04 B	2422 531 02459
3639	Res, Zero ohm, Chip Jumper	3198 021 90020	5521	Fixed, Inductor, 100MHZ, 50R	3198 018 90010
3681	Res, 390 ohm, 5%, 1/16W, Metallized Glass	3198 021 33910	5560	Fixed, Inductor, 100MHZ, 50R	3198 018 90010
3682	Res, 3K3, 5%, 1/16W, Metallized Glass	3198 021 33320	5561	Coil, 27u	3198 018 22790
3683	Res, 390 ohm, 5%, 1/16W, Metallized Glass	3198 021 33910	5562	Fixed, Inductor, 100MHZ, 50R	3198 018 90010
3684	Res, 560 ohm, 5%, 1/16W, Metallized Glass	3198 021 35610	5564	Fixed, Inductor, 100MHZ, 50R	3198 018 90010
3685	Res, 560 ohm, 5%, 1/16W, Metallized Glass	3198 021 35610	5602	Coil, 5u6	3198 018 15680
3686	Res, 1K5, 5%, 1/16W, Metallized Glass	3198 021 31520	5603	Coil, 5u6	3198 018 15680
3691	Res, 330 ohm, 5%, 1/16W, Metallized Glass	3198 021 33310	5604	Coil, 5u6	3198 018 15680
3693	Res, 220 ohm, 5%, 1/16W, Metallized Glass	3198 021 32210	5831	Coil, 6u8	3198 018 16880
3694	Res, 4K7, 5%, 1/16W, Metallized Glass	3198 021 34720	5832	Coil, 6u8	3198 018 16880
3801	Res, 220 ohm, 5%, 1/6W, Carbon Film	3198 011 02210	5833	Coil, 6u8	3198 018 16880
3802	Res, 1K, 5%, 1/6W, Carbon Film	3198 011 01020	5835	Coil, 12u	3198 018 31290
3831	Res, 47K, 5%, 1/16W, Metallized Glass	3198 021 34730	6001	Zener Diode, 33 volt	3198 010 23390
3832	Res, 100 ohm, 5%, 1/6W, Carbon Film	3198 011 01010	6201	Diode, Signal, BAS316	3198 010 10630
3833	Res, 100 ohm, 5%, 1/6W, Carbon Film	3198 011 01010	6202	Diode, Signal, BAS316	3198 010 10630
3836	Res, 1K, 5%, 1/16W, Metallized Glass	3198 021 31020	6206	Zener Diode, 6.8 volt	3198 020 56880
3837	Res, 100 ohm, 5%, 1/6W, Carbon Film	3198 011 01010	6400	Res, 1K, 1%, 3/5W, Metal Film	2312 915 11002
3838	Res, 1K, 5%, 1/16W, Metallized Glass	3198 021 31020	6401	Zener Diode, 47 volt	3198 010 24790
3839	Res, 100 ohm, 5%, 1/6W, Carbon Film	3198 011 01010	6445	Zener Diode, 10 volt	3198 020 51090
3843	Res, 2K2, 5%, 1/16W, Metallized Glass	3198 021 32220	6447	Diode, Signal, 1N4148	3198 010 10010
3901	Res, 1K, 5%, 1/16W, Metallized Glass	3198 021 31020	6448	Zener Diode, 6.2 volt	9331 668 30133
3902	Res, 3K3, 5%, 1/16W, Metallized Glass	3198 021 33320	6449	Diode, Signal, BAV99	3198 010 10620
3903	Res, 3K3, 5%, 1/16W, Metallized Glass	3198 021 33320	6453	Zener Diode, 6.8 volt	3198 020 56880
3904	Res, 10K, 5%, 1/16W, Metallized Glass	3198 021 31030	6460	Diode, Rect, DG3-7005L	9336 436 10682
3905	Res, 3K3, 5%, 1/16W, Metallized Glass	3198 021 33320	6461	Diode, Rect, RGP30J-L7004	9338 617 60682
3906	Res, 10K, 5%, 1/16W, Metallized Glass	3198 021 31030	6462	Zener Diode, 9.1 volt	9331 177 80133
3907	Res, 8K2, 5%, 1/16W, Metallized Glass	3198 021 38220	6465	Diode, Signal, BAV21	3198 010 10070
4001	Res, Zero ohm, Chip Jumper	3198 021 90020	6466	Diode, Signal, BAV21	3198 010 10070
4002	Res, Zero ohm, Chip Jumper	3198 021 90020	6467	Diode, Signal, BAS316	3198 010 10630
4101	Res, Zero ohm, Chip Jumper	3198 021 90020	6468	Diode, Signal, BAS316	3198 010 10630
4102	Res, Zero ohm, Chip Jumper	3198 021 90020	6469	Diode, Rect, BYD33J	9337 234 20133
4104	Res, Zero ohm, Chip Jumper	3198 021 90020	6470	Diode, Signal, BAV99	3198 010 10620
4121	Res, Zero ohm, Chip Jumper	3198 021 90020	6476	Zener Diode, 15 volt	3198 010 21590
4181	Res, Zero ohm, Chip Jumper	3198 021 90020	6481	Zener Diode, 5.6 volt	3198 010 25680
4209	Res, Zero ohm, Chip Jumper	3198 021 90020	6482	Zener Diode, 9.1 volt	9331 177 80133
4216	Res, Zero ohm, Chip Jumper	3198 021 90020	6483	Zener Diode, 33 volt	3198 010 23390
4217	Res, Zero ohm, Chip Jumper	3198 021 90020	6485	Diode, Rect, BYD33J	9337 234 20133
4401	Res, Zero ohm, Chip Jumper	3198 021 90020	6486	Diode, Rect, EGP20DL-5100	9322 164 42682
4402	Res, Zero ohm, Chip Jumper	3198 021 90020	6487	Diode, Rect, BYD33D	9337 234 00133
4430	Res, Zero ohm, Chip Jumper	3198 021 90020	6488	Diode, Rect, EGP20DL-5100	9322 164 42682
4500	Res, Zero ohm, Chip Jumper	3198 021 90020	6500	Diode, Bridge Rect, GBU4JL-7002	9322 132 55667
4601	Res, Zero ohm, Chip Jumper	3198 021 90020	6520	Diode, Rect, BYD33D	9337 234 00133
4613	Res, Zero ohm, Chip Jumper	3198 021 90020	6523	Diode, Signal, 1N4148	3198 010 10010
			6524	Diode, Rect, 1N5062	3198 010 10120
			6525	Diode, Rect, 1N5062	3198 010 10120
			6526	Zener Diode, 22 volt	3198 020 52290
			6540	Zener Diode, 6.2 volt	9331 668 30133
			6541	Zener Diode, 9.1 volt	9322 150 08685
			6560	Diode, Rect, BYV29X-500	9340 555 59127
			6562	Diode, Rect, EGP20DL-5100	9322 164 42682
			6563	Diode, Signal, BAS316	3198 010 10630
			6565	Diode, Signal, BAV70	9331 849 10215
			6566	Diode, Signal, 1N4148	3198 010 10010

S = Safety Part Be sure to use exact replacement part.

MS3650C327 (continued)

6569	Diode, Signal, BAS316	3198	010	10630	9521	Wire Jumper, 0.58MM.	3198	036	90010
6570	Zener Diode, 6.8 volt.	3198	020	56880	9522	Wire Jumper, 0.58MM.	3198	036	90010
6580	Diode, Signal, BAS316	3198	010	10630	9524	Wire Jumper, 0.58MM.	3198	036	90010
6681	Diode Signal, IG BA785	9336	247	60133	9525	Wire Jumper, 0.58MM.	3198	036	90010
6691	LED, VS LTL-10224WHCR.	9322	050	99682	9528	Wire Jumper, 0.58MM.	3198	036	90010
6692	IR, Receiver, TSOP1836UH3V	9322	127	54667	9610	Wire Jumper, 0.58MM.	3198	036	90010
6831	Diode, Signal, 1N4148.	3198	010	10010	9611	Coil, 27u.	3198	018	22790
6901	Res, Zero ohm, Chip Jumper	3198	021	90020	9612	Wire Jumper, 0.58MM.	3198	036	90010
7101	Transistor, NPN, BC847B.	3198	010	42030	9613	Wire Jumper, 0.58MM.	3198	036	90010
7200	IC, SM TDA9588H/N1/3	9352	716	34557	9614	Wire Jumper, 0.58MM.	3198	036	90010
7201	Transistor, NPN, BC847B.	3198	010	42030	9615	Wire Jumper, 0.58MM.	3198	036	90010
7204	Transistor, PNP, BC857B.	3198	010	42150	9616	Wire Jumper, 0.58MM.	3198	036	90010
7205	Transistor, PNP, BC857B.	3198	010	42150	9617	Wire Jumper, 0.58MM.	3198	036	90010
7400	FET, Power, STP3NC60FP	9322	157	37687	9618	Wire Jumper, 0.58MM.	3198	036	90010
7441	Transistor, PNP, BC857B.	3198	010	42150	9619	Wire Jumper, 0.58MM.	3198	036	90010
7443	Transistor, PNP, BC557B.	3198	020	40110	9620	Wire Jumper, 0.58MM.	3198	036	90010
7450	Transistor, PNP, PDTA114ET	3198	010	44010	9621	Wire Jumper, 0.58MM.	3198	036	90010
7460	Transistor, NPN, BU4508DX.	9340	550	92127	9622	Wire Jumper, 0.58MM.	3198	036	90010
7461	Transistor, NPN, BC337-25.	3198	020	43530	9623	Wire Jumper, 0.58MM.	3198	036	90010
7462	Transistor, NPN, PDTC143ZT	9340	547	00215	9624	Wire Jumper, 0.58MM.	3198	036	90010
7463	Transistor, NPN, BC327-25.	3198	020	43430	9625	Wire Jumper, 0.58MM.	3198	036	90010
7471	IC, TDA8359J/N2.	9352	701	64112	9626	Wire Jumper, 0.58MM.	3198	036	90010
7480	Transistor, NPN, BD135	3198	020	41010	9627	Wire Jumper, 0.58MM.	3198	036	90010
7482	Transistor, NPN, BD135	3198	020	41010	9628	Wire Jumper, 0.58MM.	3198	036	90010
S 7515	Optical Coupler, TCET1104(G)	9322	175	72667	9629	Wire Jumper, 0.58MM.	3198	036	90010
7520	IC, TEA1507P/N1.	9352	673	56112	9630	Wire Jumper, 0.58MM.	3198	036	90010
7521	FET Power STP8NC50FP	9322	160	72687	9631	Wire Jumper, 0.58MM.	3198	036	90010
7522	Transistor, NPN, BC847B(COL)	3198	010	42030	9632	Wire Jumper, 0.58MM.	3198	036	90010
7540	Transistor, NPN, BC547B(COL)	3198	020	40030	9633	Wire Jumper, 0.58MM.	3198	036	90010
7541	Transistor, NPN, PDTC114ET	9340	310	10215	9634	Wire Jumper, 0.58MM.	3198	036	90010
7542	Transistor, PNP, BC857B(COL)	3198	010	42150	9637	Wire Jumper, 0.58MM.	3198	036	90010
7560	IC, L78L33ACZ.	9322	134	92676	9638	Wire Jumper, 0.58MM.	3198	036	90010
7561	Transistor, NPN, PDTC143ZT	9340	547	00215	9639	Wire Jumper, 0.58MM.	3198	036	90010
7562	Transistor, PNP, BC857B(COL)	3198	010	42150	9640	Wire Jumper, 0.58MM.	3198	036	90010
7564	Transistor, PNP, BC857B(COL)	3198	010	42150	9641	Wire Jumper, 0.58MM.	3198	036	90010
7580	Transistor, PNP, BC857B(COL)	3198	010	42150	9642	Wire Jumper, 0.58MM.	3198	036	90010
7602	IC, M24C08-WBN6.	9322	154	38682	9643	Wire Jumper, 0.58MM.	3198	036	90010
7606	Transistor, NPN, PDTC143ZT	9340	547	00215	9644	Wire Jumper, 0.58MM.	3198	036	90010
7801	IC, SM HEF4052BT	9333	729	50653	9645	Wire Jumper, 0.58MM.	3198	036	90010
7831	IC, MSP3445G-PO-B8	9322	160	81682	9646	Wire Jumper, 0.58MM.	3198	036	90010
7901	IC, AN7522N.	9322	158	65667	9648	Wire Jumper, 0.58MM.	3198	036	90010
9001	Wire Jumper, 0.58MM.	3198	036	90010	9650	Wire Jumper, 0.58MM.	3198	036	90010
9121	Wire Jumper, 0.58MM.	3198	036	90010	9654	Wire Jumper, 0.58MM.	3198	036	90010
9122	Wire Jumper, 0.58MM.	3198	036	90010	9655	Wire Jumper, 0.58MM.	3198	036	90010
9171	Wire Jumper, 0.58MM.	3198	036	90010	9656	Wire Jumper, 0.58MM.	3198	036	90010
9172	Wire Jumper, 0.58MM.	3198	036	90010	9657	Wire Jumper, 0.58MM.	3198	036	90010
9173	Wire Jumper, 0.58MM.	3198	036	90010	9658	Wire Jumper, 0.58MM.	3198	036	90010
9175	Wire Jumper, 0.58MM.	3198	036	90010	9659	Wire Jumper, 0.58MM.	3198	036	90010
9176	Wire Jumper, 0.58MM.	3198	036	90010	9660	Wire Jumper, 0.58MM.	3198	036	90010
9178	Wire Jumper, 0.58MM.	3198	036	90010	9661	Wire Jumper, 0.58MM.	3198	036	90010
9179	Wire Jumper, 0.58MM.	3198	036	90010	9662	Wire Jumper, 0.58MM.	3198	036	90010
9182	Wire Jumper, 0.58MM.	3198	036	90010	9663	Wire Jumper, 0.58MM.	3198	036	90010
9183	Wire Jumper, 0.58MM.	3198	036	90010	9664	Wire Jumper, 0.58MM.	3198	036	90010
9192	Wire Jumper, 0.58MM.	3198	036	90010	9665	Wire Jumper, 0.58MM.	3198	036	90010
9193	Wire Jumper, 0.58MM.	3198	036	90010	9666	Wire Jumper, 0.58MM.	3198	036	90010
9406	Wire Jumper, 0.58MM.	3198	036	90010	9668	Wire Jumper, 0.58MM.	3198	036	90010
9407	Wire Jumper, 0.58MM.	3198	036	90010	9669	Wire Jumper, 0.58MM.	3198	036	90010
9408	Wire Jumper, 0.58MM.	3198	036	90010	9670	Wire Jumper, 0.58MM.	3198	036	90010
9409	Wire Jumper, 0.58MM.	3198	036	90010	9672	Coil, 27u.	2422	535	95366
9410	Wire Jumper, 0.58MM.	3198	036	90010	9674	Wire Jumper, 0.58MM.	3198	036	90010
9411	Wire Jumper, 0.58MM.	3198	036	90010	9675	Wire Jumper, 0.58MM.	3198	036	90010
9412	Wire Jumper, 0.58MM.	3198	036	90010	9676	Wire Jumper, 0.58MM.	3198	036	90010
9413	Wire Jumper, 0.58MM.	3198	036	90010	9678	Coil, 27u.	2422	535	95366
9414	Wire Jumper, 0.58MM.	3198	036	90010	9679	Wire Jumper, 0.58MM.	3198	036	90010
9415	Wire Jumper, 0.58MM.	3198	036	90010	9680	Wire Jumper, 0.58MM.	3198	036	90010
9416	Wire Jumper, 0.58MM.	3198	036	90010	9683	Wire Jumper, 0.58MM.	3198	036	90010
9417	Wire Jumper, 0.58MM.	3198	036	90010	9685	Wire Jumper, 0.58MM.	3198	036	90010
9418	Wire Jumper, 0.58MM.	3198	036	90010	9686	Wire Jumper, 0.58MM.	3198	036	90010
9419	Wire Jumper, 0.58MM.	3198	036	90010	9687	Wire Jumper, 0.58MM.	3198	036	90010
9421	Wire Jumper, 0.58MM.	3198	036	90010	9688	Wire Jumper, 0.58MM.	3198	036	90010
9422	Wire Jumper, 0.58MM.	3198	036	90010	9689	Wire Jumper, 0.58MM.	3198	036	90010
9423	Wire Jumper, 0.58MM.	3198	036	90010	9690	Wire Jumper, 0.58MM.	3198	036	90010
9424	Wire Jumper, 0.58MM.	3198	036	90010	9691	Wire Jumper, 0.58MM.	3198	036	90010
9425	Wire Jumper, 0.58MM.	3198	036	90010	9694	Wire Jumper, 0.58MM.	3198	036	90010
9426	Wire Jumper, 0.58MM.	3198	036	90010	9695	Wire Jumper, 0.58MM.	3198	036	90010
9427	Wire Jumper, 0.58MM.	3198	036	90010	9697	Wire Jumper, 0.58MM.	3198	036	90010
9453	Wire Jumper, 0.58MM.	3198	036	90010	9698	Wire Jumper, 0.58MM.	3198	036	90010
9460	Wire Jumper, 0.58MM.	3198	036	90010	9699	Wire Jumper, 0.58MM.	3198	036	90010
9463	Wire Jumper, 0.58MM.	3198	036	90010	9821	Wire Jumper, 0.58MM.	3198	036	90010
9500	Wire Jumper, 0.58MM.	3198	036	90010	9822	Wire Jumper, 0.58MM.	3198	036	90010
9501	Wire Jumper, 0.58MM.	3198	036	90010	9823	Wire Jumper, 0.58MM.	3198	036	90010
9503	Wire Jumper, 0.58MM.	3198	036	90010	9824	Wire Jumper, 0.58MM.	3198	036	90010
S 9506	Wire Jumper, 0.58MM.	3198	036	90010	9825	Wire Jumper, 0.58MM.	3198	036	90010
S 9507	Wire Jumper, 0.58MM.	3198	036	90010	9827	Wire Jumper, 0.58MM.	3198	036	90010
9510	Wire Jumper, 0.58MM.	3198	036	90010	9828	Wire Jumper, 0.58MM.	3198	036	90010
9512	Wire Jumper, 0.58MM.	3198	036	90010	9829	Wire Jumper, 0.58MM.	3198	036	90010
9513	Wire Jumper, 0.58MM.	3198	036	90010	9830	Wire Jumper, 0.58MM.	3198	036	90010
9514	Wire Jumper, 0.58MM.	3198	036	90010	9831	Wire Jumper, 0.58MM.	3198	036	90010
9515	Wire Jumper, 0.58MM.	3198	036	90010	9832	Wire Jumper, 0.58MM.	3198	036	90010
9516	Wire Jumper, 0.58MM.	3198	036	90010	9833	Wire Jumper, 0.58MM.	3198	036	90010
9518	Wire Jumper, 0.58MM.	3198	036	90010	9834	Wire Jumper, 0.58MM.	3198	036	90010
9520	Wire Jumper, 0.58MM.	3198	036	90010	9835	Wire Jumper, 0.58MM.	3198	036	90010

S = Safety Part. Be sure to use exact replacement part.

MS3650C327 (continued)

9836	Wire Jumper, 0.58MM.	3198	036	90010
9837	Wire Jumper, 0.58MM.	3198	036	90010
9838	Wire Jumper, 0.58MM.	3198	036	90010
9839	Wire Jumper, 0.58MM.	3198	036	90010
9840	Wire Jumper, 0.58MM.	3198	036	90010
9841	Wire Jumper, 0.58MM.	3198	036	90010
9842	Wire Jumper, 0.58MM.	3198	036	90010
9843	Wire Jumper, 0.58MM.	3198	036	90010
9844	Wire Jumper, 0.58MM.	3198	036	90010
9845	Wire Jumper, 0.58MM.	3198	036	90010
9846	Wire Jumper, 0.58MM.	3198	036	90010
9847	Wire Jumper, 0.58MM.	3198	036	90010
9849	Wire Jumper, 0.58MM.	3198	036	90010
9851	Wire Jumper, 0.58MM.	3198	036	90010
9901	Wire Jumper, 0.58MM.	3198	036	90010
9902	Wire Jumper, 0.58MM.	3198	036	90010
9903	Wire Jumper, 0.58MM.	3198	036	90010
9904	Wire Jumper, 0.58MM.	3198	036	90010
9905	Wire Jumper, 0.58MM.	3198	036	90010
9911	Wire Jumper, 0.58MM.	3198	036	90010
9912	Wire Jumper, 0.58MM.	3198	036	90010
9913	Wire Jumper, 0.58MM.	3198	036	90010
9914	Wire Jumper, 0.58MM.	3198	036	90010
9915	Wire Jumper, 0.58MM.	3198	036	90010
9916	Wire Jumper, 0.58MM.	3198	036	90010
9918	Wire Jumper, 0.58MM.	3198	036	90010
9919	Wire Jumper, 0.58MM.	3198	036	90010
9920	Wire Jumper, 0.58MM.	3198	036	90010
9921	Wire Jumper, 0.58MM.	3198	036	90010
9991	Wire Jumper, 0.58MM.	3198	036	90010
9993	Wire Jumper, 0.58MM.	3198	036	90010
9994	Wire Jumper, 0.58MM.	3198	036	90010
9996	Wire Jumper, 0.58MM.	3198	036	90010
9997	Wire Jumper, 0.58MM.	3198	036	90010
9998	Wire Jumper, 0.58MM.	3198	036	90010
CBA	Main Chassis Assembly.	3139	177	29201

CRT Panel Parts (Part of Main Chassis)

	CRT Panel Parts (Part of Main Chassis)			
	Connector, 5 Pin	2422	025	04853
	Connector, 6 Pin	2422	025	04854
S	0254 CRT Socket, 10 Pin	2422	500	80079
	2330 Cap, 100n, 10%, 250v, Metallized Poly ester.	2222	368	90177
	2340 Cap, 10u, 20%, 250v, Electrolytic.	2020	012	93495
	2341 Cap, 3n3, 10%, 500v, Ceramic	3198	019	43320
	2342 Cap, 560p, 5%, 50v, Ceramic.	3198	016	05610
	2343 Cap, 3n3, 10%, 2000v, Ceramic.	2020	558	90529
	2344 Cap, 100n, +80/-20%, 25v, Ceramic.	3198	023	21040
	2345 Cap, 1n, 10%, 500v, Ceramic.	3198	019	41020
	3331 Res, 100 ohm, 5%, 1/6W, Carbon Film.	3198	011	01010
	3332 Res, 1K, 20%, 1/2W, Carbon Film.	3198	013	01020
	3333 Res, 100 ohm, 5%, 1/6W, Carbon Film.	3198	011	01010
	3334 Res, 1K, 20%, 1/2W, Carbon Film.	3198	013	01020
	3335 Res, 100 ohm, 5%, 1/6W, Carbon Film.	3198	011	01010
	3336 Res, 1K, 20%, 1/2W, Carbon Film.	3198	013	01020
S	3340 Res, 10 ohm, 5%, 1/2W, Metal Film.	2306	207	03109
S	3341 Res, 1 ohm, 5%, 1/3W, Metal Film	2306	204	03108
S	3342 Res, 1 ohm, 5%, 1/3W, Metal Film	2306	204	03108
	3343 Res, 1K5, 20%, 1/2W, Carbon Film	3198	013	01520
	3344 Res, 22 ohm, 5%, 1/6W, Carbon Film	3198	011	02290
	3345 VDR DC 1MA/ 50V S MAX 115V A	2322	593	13507
	3346 Res, 22 ohm, 5%, 1/6W, Carbon Film	3198	011	02290
	3347 Res, Zero ohm, Chip Jumper	3198	021	90020
	3350 Res, Zero ohm, Chip Jumper	3198	021	90020
	3353 Res, Zero ohm, Chip Jumper	3198	021	90020
	5342 Coil, 22u.	2422	535	97333
	6331 Diode, Signal, BAV21	3198	010	10070
	6332 Diode, Signal, BAS316.	3198	010	10630
	6333 Diode, Signal, BAV21	3198	010	10070
	6335 Diode, Signal, BAV21	3198	010	10070
	7330 IC, TDA6107Q/N2.	9352	576	50112
	9311 Wire Jumper, 0.58MM.	3198	036	90010
	9341 Wire Jumper, 0.58MM.	3198	036	90010
	9342 Wire Jumper, 0.58MM.	3198	036	90010
	9343 Wire Jumper, 0.58MM.	3198	036	90010

S = Safety Part Be sure to use exact replacement part.

MS3652S327 - Manual no. 7629

Cabinet & Accessory Parts

Cabinet & Accessory Parts

Main Chassis Assembly Parts

7200 IC, SM TDA9563H/N1/3/0485. 4835 310 57624

Cabinet & Accessory Parts

S AC01	Mainscord, 125V, 10A	3135	010	03831
AC03	Battery, Zinc, 1.5V (2-Pack)	9299	000	65263
AC04	Cabinet, Back.	3139	124	44411
AC07	Chassis Tray	3139	124	31324
AC09	Clip, Anode Lead	3135	014	04471
S AC10	CRT A90AKB50X07(V)	9322	186	37682
AC11	Customer Control Buttons	3139	124	32721
AC12	Coil, Degaussing	2422	549	43972
AC13	Holder Degaussing Coil (4 Used).	3135	013	01651
AC16	Owner's Manual	3121	235	20601
AC20	Cabinet, Front Assembly - Model MS365 2S327.	3121	237	53151
AC20A	Cabinet, Front	3139	177	57161
AC20D	Light Guide.	3139	124	32691
AC20E	Nameplate.	3135	015	03561
AC20J	Speaker, 16R, 5W (2 Used).	2422	264	00371
AC22	Spring	3139	121	26231
REMOTE	Transmitter, Remote, RC2524/17	3139	228	87491

Main Chassis Assembly Parts

Main Chassis Assembly Parts

1000	Tuner, V+U PLL	2422	542	90108
0022	Bracket, Lot	3139	124	44421
0118	U-Cooling Plate.	3139	121	26731
0122	Heatsink, Vertical	3139	121	62213
0123	Heatsink, Audio.	3139	121	62501
0124	Heatsink, SOPS	3139	121	62201
0127	Socket, Fuse	2422	088	00271
0129	NTC, Holder.	3139	120	10151
0136	IC-Spring.	3104	301	22081
0137	Spring	3139	121	24581
0138	IC-Spring.	3104	301	22081
0139	Spring for Bracket	3122	121	24786
0140	Spring	3139	121	24581
0141	IC-Spring.	3104	301	22081
0152	Cable, DIPMATE, 6 Pin 560mm	3139	121	08951
0211	Connector, 2 Pin	2422	025	16269
S 0212	Connector, 2 Pin	2422	025	16375
0219	Connector, 6 Pin	2422	025	12482
S 0220	Connector, 5 Pin	2422	025	04853
S 0221	Connector, 4 Pin	2422	025	15503
S 0222	Connector, 2 Pin	2422	025	10646
0223	Socket, Cinch, 6 Pin	2422	026	05184
0225	Socket, MDIN, 10 Pin	2422	026	04926
S 0243	Connector, 6 Pin	2422	025	04854
0246	Connector, 5 Pin	2422	025	12481
0267	Connector, 3 Pin	2412	020	00725
1002	SAW Filter, 45MHz75, OFWM1971M	2422	549	44518
1200	Filter, Ceramic, 4MHz5	2422	549	40807
S 1500	Fuse, 4A, 250V, IEC	2422	086	10869
S 1515	Relay, 12V, 5A G5PA-1.	2422	132	07444
1600	Switch, Tactile.	2422	128	02742
1601	Switch, Tactile.	2422	128	02742
1602	Switch, Tactile.	2422	128	02742
1603	Switch, Tactile.	2422	128	02742
1606	Switch, Tactile.	2422	128	02742
1660	Crystal, 12MHz000.	2422	543	01203
1831	Crystal, Resonator, 18MHz432, 12 Pin, HC49/U A	2422	543	00842
2004	Cap, 47n, 10%, 16v, Ceramic.	3198	017	34730
2005	Cap, 10u, 20%, 50v, Electrolytic	3198	025	51090
2006	Cap, 470u, 20%, 16v, Electrolytic.	3198	025	24710
2007	Cap, 100n, +80/-20%, 25v, Ceramic.	3198	023	41040
2008	Cap, 100u, 20%, 25v, Electrolytic.	3198	025	31010
2009	Cap, 22n, 10%, 25v, Ceramic.	3198	017	32230
2101	Cap, 470n, +80/-20%, 16v, Ceramic.	3198	017	24740
2102	Cap, 22p, 5%, 50v, Ceramic	3198	016	02290
2103	Cap, 330p, 10%, 50v, Ceramic	3198	017	33310
2104	Cap, 330p, 10%, 50v, Ceramic	3198	017	33310
2105	Cap, 10u, 20%, 50v, Electrolytic	3198	025	51090
2106	Cap, 10u, 20%, 50v, Electrolytic	3198	025	51090
2122	Cap, 330p, 10%, 50v, Ceramic	3198	017	33310
2123	Cap, 2u2, +80/-20%, 10v, Ceramic	3198	017	22250
2124	Cap, 330p, 10%, 50v, Ceramic	3198	017	33310
2125	Cap, 2u2, +80/-20%, 10v, Ceramic	3198	017	22250
2135	Cap, 22p, 5%, 50v, Ceramic	3198	016	02290
2136	Cap, 22p, 5%, 50v, Ceramic	3198	016	02290
2141	Cap, 330p, 10%, 50v, Ceramic	3198	017	33310
2184	Cap, 2u2, +80/-20%, 10v, Ceramic	3198	017	22250
2202	Cap, 100n, +80/-20%, 25v, Ceramic.	3198	023	21040
2203	Cap, 100n, +80/-20%, 25v, Ceramic.	3198	023	21040
2204	Cap, 100n, +80/-20%, 25v, Ceramic.	3198	023	41040
2205	Cap, 220n, +80/-20%, 25v, Ceramic.	3198	023	22240
2208	Cap, 100n, +80/-20%, 25v, Ceramic.	3198	023	41040
2209	Cap, 10u, 20%, 50v, Electrolytic	3198	025	51090

S = Safety Part Be sure to use exact replacement part.

2210	Cap, 1u, +80/-20%, 16v, Ceramic.	3198	017	21050
2211	Cap, 470n, +80/-20%, 16v, Ceramic.	3198	017	24740
2216	Cap, 1000u, 20%, 16v, Electrolytic	3198	026	21020
2217	Cap, 22n, 10%, 25v, Ceramic.	3198	017	32230
2219	Cap, 220n, +80/-20%, 25v, Ceramic.	3198	023	22240
2220	Cap, 470n, 10%, 50v, Polyester	3198	014	04740
2221	Cap, 22n, 10%, 50v, Ceramic.	3198	017	02230
2241	Cap, 1n5, 10%, 50v, Ceramic.	3198	017	31520
2242	Cap, 1u, +80/-20%, 10v, Ceramic.	3198	017	41050
2243	Cap, 2n2, 10%, 50v, Ceramic.	3198	017	02220
2244	Cap, 100n, 10%, 63v, Metalized Polyes ter.	2222	370	75104
2245	Cap, 220n, +80/-20%, 16v, Ceramic.	3198	017	42240
2247	Cap, 1000u, 20%, 16v, Electrolytic	3198	026	21020
2248	Cap, 22n, 10%, 50v, Ceramic.	3198	017	02230
2249	Cap, 22n, 10%, 25v, Ceramic.	3198	017	32230
2250	Cap, 2u2, 20%, 50v, Electrolytic	3198	025	52280
2252	Cap, 1n, 5%, 50v, Ceramic.	3198	016	01020
2253	Cap, 1n, 5%, 50v, Ceramic.	3198	016	01020
2254	Res, Zero ohm, "Chip" Jumper	3198	021	90020
2401	Cap, 2u2, 20%, 50v, Electrolytic	2020	021	90552
2402	Cap, 470p, 10%, 500v, Ceramic.	3198	019	44710
2404	Cap, 47u, 20%, 50v, Electrolytic	3198	025	54790
2405	Cap, 220u, 20%, 25v, Electrolytic.	3198	025	32210
2441	Cap, 1u, 20%, 50v, Electrolytic.	3198	025	51080
2443	Cap, 47n, +80/-20%, 50v, Ceramic	3198	017	24730
2444	Cap, 1u, 20%, 50v, Electrolytic.	3198	025	51080
2450	Cap, 47u, 20%, 160v, Electrolytic.	2020	021	91139
2451	Cap, 15n, 10%, 50v, Polyester.	3198	014	01530
2452	Cap, 180p, 5%, 50v, Ceramic.	3198	016	01810
2455	Cap, 47u, 20%, 25v, Electrolytic	3198	025	34790
2456	Cap, 560n, 5%, 250v, Polypropylene	2022	333	00088
2458	Cap, 2u2, 20%, 100v, Electrolytic.	2020	021	91331
2459	Cap, 680p, 10%, 500v, Ceramic.	3198	019	46810
2460	Cap, 100p, 5%, 50v, Ceramic.	3198	016	01010
2463	Cap, 390p, 10%, 2000v, Ceramic	2020	558	90482
2464	Cap, 2u2, 5%, 160v, Metalized Polypro pylene	2222	479	90042
2465	Cap, 15n, 5%, 1600v, Polypropylene	2020	301	90255
2467	Cap, 15n, 10%, 400v, Polyester.	2222	347	90219
2468	Cap, 15n, 10%, 400v, Polyester	2222	347	90219
2471	Cap, 100n, 10%, 50v, Polyester	3198	014	01040
2472	Cap, 150n, 10%, 63v, Polyester	2222	365	75154
2473	Cap, 100n, 10%, 63v, Polyester	2222	365	75104
2474	Cap, 2n2, 10%, 50v, Ceramic.	3198	017	02220
2475	Cap, 2n2, 10%, 50v, Ceramic.	3198	017	02220
2476	Cap, 4n7, 10%, 50v, Ceramic.	3198	017	04720
2480	Cap, 47u, 20%, 25v, Electrolytic	2020	021	90586
2481	Cap, 470p, 10%, 500v, Ceramic.	3198	019	44710
2482	Cap, 68n, 10%, 250v, Polyester	2222	347	90234
2485	Cap, 4u7, 20%, 250v, Electrolytic.	2020	021	90856
2486	Cap, 470u, 20%, 16v, Electrolytic.	2020	021	91577
2487	Cap, 47u, 20%, 50v, Electrolytic	2020	021	90854
2488	Cap, 1000u, 20%, 16v, Electrolytic	2020	021	91049
2489	Cap, 470u, 20%, 16v, Electrolytic.	2020	021	91577
2491	Cap, 1n, 10%, 500v, Ceramic.	3198	019	41020
S 2500	Cap, 470n, 20%, 275v, Polypropylene.	2022	330	00018
2501	Cap, 2n2, 10%, 1000v, Ceramic.	3198	019	52220
2502	Cap, 2n2, 10%, 1000v, Ceramic.	3198	019	52220
2503	Cap, 470u, 20%, 200v, Electrolytic	2020	024	90626
2505	Cap, 2n2, 10%, 1000v, Ceramic.	3198	019	52220
2507	Cap, 470p, 10%, 50v, Ceramic	3198	017	04710
2508	Cap, 470p, 10%, 1000v, Ceramic	3198	019	64710
S 2515	Cap, 1n5, 20%, v, Ceramic.	2020	554	90128
2520	Cap, 100n, 10%, 16v, Ceramic	3198	017	01040
2521	Cap, 22u, 20%, 50v, Electrolytic	3198	025	52290
2522	Cap, 100n, 10%, 16v, Ceramic	3198	017	01040
2523	Cap, 1n5, 10%, 2000v, Ceramic.	2020	558	90489
2525	Cap, 470p, 10%, 50v, Ceramic	3198	017	04710
2527	Cap, 2n2, 10%, 50v, Ceramic.	3198	017	02220
2528	Cap, 1n, 10%, 50v, Ceramic	3198	017	01020
2540	Cap, 10n, 10%, 50v, Ceramic.	3198	017	01030
2541	Cap, 10n, 10%, 50v, Ceramic.	3198	017	01030
2560	Cap, 680p, 10%, 1000v, Ceramic	3198	019	66810
2561	Cap, 100u, 20%, 160v, Electrolytic	2020	021	91654
2562	Cap, 1n, 10%, 50v, Ceramic	3198	019	11020
2563	Cap, 100n, 10%, 50v, Polyester	3198	014	01040
2564	Cap, 2u2, 20%, 25v, Electrolytic	2020	021	91353
2567	Cap, 47u, 20%, 25v, Electrolytic	3198	025	34790
2568	Cap, 1u, 20%, 50v, Electrolytic.	3198	025	51080
2580	Cap, 47u, 20%, 16v, Electrolytic	3198	028	24790
2581	Cap, 22u, 20%, 50v, Electrolytic	3198	025	52290
2601	Cap, 220n, +80/-20%, 25v, Ceramic.	3198	023	22240
2602	Cap, 100p, 5%, 50v, Ceramic.	3198	016	01010
2606	Cap, 1n, 10%, 50v, Ceramic	3198	017	

MS3652S327 (continued)

2618	Cap, 1u, +80/-20%, 10v, Ceramic. . .	3198 017 41050	3244	Res, 820 ohm, 5%, 1/6W, Carbon Film.	3198 011 08210
2619	Cap, 1u, +80/-20%, 16v, Ceramic. . .	3198 017 21050	3245	Res, 39K, 5%, 1/10W, Metalized Glass	3198 021 53930
2691	Cap, 220u, 20%, 25v, Electrolytic. . .	3198 025 32210	3246	Res, 10K, 5%, 1/10W, Metalized Glass	3198 021 51030
2801	Cap, 22u, 20%, 50v, Electrolytic. . .	3198 025 52290	3247	Res, 680K, 5%, 1/10W, Metalized Glass	3198 021 56840
2802	Cap, 220n, +80/-20%, 16v, Ceramic. . .	3198 017 42240	3248	Res, 33K, 5%, 1/10W, Metalized Glass	3198 021 53330
2803	Cap, 2u2, +80/-20%, 10v, Ceramic. . .	3198 017 22250	3249	Res, 820 ohm, 5%, 1/6W, Carbon Film.	3198 011 08210
2804	Cap, 2u2, +80/-20%, 10v, Ceramic. . .	3198 017 22250	3250	Res, 8K2, 5%, 1/6W, Carbon Film. . .	3198 011 08220
2805	Res, Zero ohm, "Chip" Jumper	3198 021 90020	3251	Res, 100 ohm, 5%, 1/6W, Carbon Film.	3198 011 01010
2806	Res, Zero ohm, "Chip" Jumper	3198 021 90020	3256	Res, 1K, 5%, 1/10W, Metalized Glass.	3198 021 51020
2831	Cap, 1p, 25%, 50v, Ceramic.	3198 016 31080	3257	Res, 10M, 5%, 1/10W, Metalized Glass	3198 021 51060
2832	Cap, 1p, 25%, 50v, Ceramic.	3198 016 31080	3258	Res, 100K, 5%, 1/10W, Metalized Glass	3198 021 51040
2833	Cap, 47p, 5%, 50v, Ceramic.	3198 016 34790	3259	Res, 470K, 5%, 1/10W, Metalized Glass	3198 021 54740
2834	Cap, 470p, 5%, 50v, Ceramic.	3198 016 34710	3400	Res, 330 ohm, 5%, 1/6W, Carbon Film.	3198 011 03310
2835	Cap, 220p, 5%, 50v, Ceramic.	3198 016 32210	3401	Res, 33K, 5%, 1/6W, Carbon Film. . .	3198 011 03330
2836	Cap, 1n5, 10%, 50v, Ceramic.	3198 017 31520	3403	Res, 100K, 5%, 1/6W, Carbon Film. . .	3198 011 01040
2837	Cap, 4u7, 20%, 50v, Electrolytic. . .	3198 025 54780	3404	Res, 1K, 5%, 1/6W, Carbon Film. . . .	3198 011 01020
2840	Cap, 100n, +80/-20%, 25v, Ceramic. . .	3198 023 41040	3405	Res, 4R7, 5%, 1/6W, Carbon Film. . .	3198 011 04780
2841	Cap, 10u, 20%, 50v, Electrolytic. . .	3198 025 51090	3406	Res, 4R7, 5%, 1/6W, Carbon Film. . .	3198 011 04780
2842	Cap, 100n, +80/-20%, 25v, Ceramic. . .	3198 023 41040	3408	Res, 100 ohm, 5%, 1/6W, Carbon Film.	3198 011 01010
2843	Cap, 10u, 20%, 50v, Electrolytic. . .	3198 025 51090	3410	Res, 10K, 5%, 1/6W, Carbon Film. . .	3198 011 01030
2844	Cap, 10u, 20%, 50v, Electrolytic. . .	3198 025 51090	3411	Res, 4R7, 5%, 1/3W, Metal Film. . . .	2306 204 03478
2845	Cap, 100n, +80/-20%, 25v, Ceramic. . .	3198 023 41040	3441	Res, 100 ohm, 5%, 1/10W, Metalized Gl	
2846	Cap, 100u, 20%, 25v, Electrolytic. . .	3198 025 31010		ass.	3198 021 51010
2849	Cap, 1n, 5%, 25v, Ceramic.	3198 016 31020	3442	Res, Zero ohm, "Chip" Jumper	3198 021 90020
2850	Cap, 1n, 5%, 25v, Ceramic.	3198 016 31020	3443	Res, 1M, 5%, 1/10W, Metalized Glass.	3198 021 51050
2851	Res, Zero ohm, "Chip" Jumper	3198 021 90020	3445	Res, 15K, 5%, 1/6W, Carbon Film. . . .	3198 011 01530
2852	Cap, 1n, 5%, 25v, Ceramic.	3198 016 31020	3446	Res, 5K6, 5%, 1/6W, Carbon Film. . . .	3198 011 05620
2853	Res, Zero ohm, "Chip" Jumper	3198 021 90020	3447	Res, 180 ohm, 5%, 1/6W, Carbon Film.	3198 011 01810
2854	Cap, 1n, 5%, 25v, Ceramic.	3198 016 31020	3448	Res, 820 ohm, 5%, 1/6W, Carbon Film.	3198 011 08210
2855	Cap, 33p, 5%, 50v, Ceramic.	3198 016 33390	3449	Res, 68 ohm, 5%, 1/6W, Carbon Film. .	3198 011 06890
2856	Cap, 47p, 5%, 50v, Ceramic.	3198 016 34790	3450	Res, 33 ohm, 5%, 1/6W, Carbon Film. .	3198 011 03390
2857	Cap, 150p, 5%, 50v, Ceramic.	3198 016 31510	S 3451	Res, 8R2, 5%, 1/3W, Metal Film. . . .	2306 204 03828
2860	Cap, 180p, 5%, 50v, Ceramic.	3198 016 01810	3452	Res, 5K6, 1%, 3/5W, Metal Film. . . .	2312 915 15602
2894	Cap, 220p, 5%, 50v, Ceramic.	3198 016 32210	3453	Res, 1K, 5%, 1/6W, Carbon Film. . . .	3198 011 01020
2895	Cap, 560p, 5%, 25v, Ceramic.	3198 016 35610	3454	Res, 2K, 1%, 3/5W, Metal Film.	2312 915 12002
2897	Cap, 390p, 5%, 50v, Ceramic.	3198 016 03910	3455	Res, 6R8, 5%, 1 1/3W, Metal Film. . . .	3198 012 26880
2898	Cap, 10n, 10%, 50v, Ceramic.	3198 017 31030	3456	Res, Zero ohm, "Chip" Jumper	3198 021 90020
2902	Cap, 1000u, 20%, 16v, Electrolytic. . .	3198 026 21020	3457	Res, Zero ohm, "Chip" Jumper	3198 021 90020
2903	Cap, 1u, 20%, 50v, Electrolytic. . . .	3198 025 51080	3458	Res, 1K, 5%, 1/6W, Carbon Film. . . .	3198 011 01020
2904	Cap, 470n, +80/-20%, 16v, Ceramic. . .	3198 017 24740	3459	Res, 15K, 5%, 1 1/3W, Metal Film. . . .	3198 012 21530
2905	Cap, 1n, 10%, 50v, Ceramic.	3198 017 01020	3460	Res, 3K9, 5%, 1/6W, Carbon Film. . . .	3198 011 03920
2906	Cap, 470n, +80/-20%, 16v, Ceramic. . .	3198 017 24740	3463	Res, 33 ohm, 5%, 1/6W, Carbon Film. .	3198 011 03390
2907	Cap, 1n, 10%, 50v, Ceramic.	3198 017 01020	3465	Res, 27K, 1%, 3/5W, Metal Film. . . .	2312 915 12703
2908	Cap, 10u, 20%, 50v, Electrolytic. . . .	3198 025 51090	3468	Res, 180 ohm, 5%, 1/6W, Carbon Film.	3198 011 01810
2910	Cap, 3n3, 10%, 50v, Ceramic.	3198 017 03320	3469	Res, 3K3, 5%, 1/6W, Carbon Film. . . .	3198 011 03320
2911	Cap, 3n3, 10%, 50v, Ceramic.	3198 017 03320	3470	Res, 270K, 5%, 1/8W, Metalized Glass	2322 730 61274
2950	Cap, 330p, 5%, 50v, Ceramic.	3198 016 33310	3471	Res, 3R3, 1%, 3/5W, Metal Film. . . .	2312 915 13308
3000	Res, 100 ohm, 5%, 1/6W, Carbon Film.	3198 011 01010	3472	Res, 3R3, 1%, 3/5W, Metal Film. . . .	2312 915 13308
3001	Res, 100 ohm, 5%, 1/6W, Carbon Film.	3198 011 01010	3473	Res, 5R6, 1%, 3/5W, Metal Film. . . .	2312 915 15608
3002	Res, Zero ohm, "Chip" Jumper	3198 021 90020	3474	Res, 2K2, 1%, 3/5W, Metal Film. . . .	2312 915 12202
3003	Res, 1K5, 5%, 1/16W, Metalized Glass	3198 021 31520	3475	Res, 2K2, 1%, 3/5W, Metal Film. . . .	2312 915 12202
3004	Res, 8K2, 5%, 1/10W, Metalized Glass	3198 021 58220	3477	Res, 150 ohm, 5%, 1/6W, Carbon Film.	3198 011 01510
3005	Res, 100 ohm, 5%, 1/6W, Carbon Film.	3198 011 01010	3478	Res, 150 ohm, 5%, 1/6W, Carbon Film.	3198 011 01510
3101	Res, 68 ohm, 5%, 1/6W, Carbon Film. .	3198 011 06890	3479	Res, 2K7, 5%, 1/10W, Metalized Glass	3198 021 52720
3102	Res, 1K, 5%, 1/10W, Metalized Glass.	3198 021 51020	3480	Res, 1R5, 5%, 1/4W, Carbon Film. . . .	2120 101 74158
3103	Res, 150 ohm, 5%, 1/6W, Carbon Film.	3198 011 01510	3481	Res, 12K, 1%, 3/5W, Metal Film. . . .	2312 915 11203
3104	Res, 220K, 5%, 1/16W, Metalized Glass	3198 021 32240	3482	Res, 10K, 1%, 3/5W, Metal Film. . . .	2312 915 11003
3105	Res, 150 ohm, 5%, 1/6W, Carbon Film.	3198 011 01510	3484	Res, 3K9, 5%, 1/6W, Carbon Film. . . .	3198 011 03920
3106	Res, 220K, 5%, 1/16W, Metalized Glass	3198 021 32240	3486	Res, 33 ohm, 5%, 2 1/2W, Metal Film.	3198 012 33390
3123	Res, 150 ohm, 5%, 1/6W, Carbon Film.	3198 011 01510	3488	Res, 4R7, 5%, 1/2W, Metal Film. . . .	2306 207 03478
3124	Res, 47K, 5%, 1/16W, Metalized Glass	3198 021 34730	3490	Res, 8K2, 5%, 1/6W, Carbon Film. . . .	3198 011 08220
3125	Res, 150 ohm, 5%, 1/6W, Carbon Film.	3198 011 01510	3492	Res, 1K, 5%, 1/10W, Metalized Glass.	3198 021 51020
3126	Res, 47K, 5%, 1/16W, Metalized Glass	3198 021 34730	3493	Res, 6R8, 5%, 1/3W, Metal Film. . . .	2306 204 03688
3135	Res, 75 ohm, 5%, 1/6W, Carbon Film. .	3198 011 07590	3494	Res, 4R7, 5%, 1/2W, Metal Film. . . .	2306 207 03478
3136	Res, 100 ohm, 5%, 1/6W, Carbon Film.	3198 011 01010	3495	Res, 22K, 5%, 1/10W, Metalized Glass	3198 021 52230
3138	Wire Jumper, 0.58MM.	3198 036 90010	3496	Res, 100K, 5%, 1/10W, Metalized Glass	3198 021 51040
3141	Res, 1K, 5%, 1/6W, Carbon Film. . . .	3198 011 01020	3497	Res, 100K, 5%, 1/10W, Metalized Glass	3198 021 51040
3200	Res, 390 ohm, 5%, 1/6W, Carbon Film.	3198 011 03910	3498	Res, 12K, 5%, 1/10W, Metalized Glass	3198 021 51230
3201	Res, 100 ohm, 5%, 1/6W, Carbon Film.	3198 011 01010	3499	Res, 10K, 5%, 1/10W, Metalized Glass	3198 021 51030
3202	Res, 100 ohm, 5%, 1/6W, Carbon Film.	3198 011 01010	S 3500	Res, 3M3, 5%, 1/2W, Metalized Glass.	2322 242 13335
3203	Res, 100 ohm, 5%, 1/6W, Carbon Film.	3198 011 01010	S 3501	Res, 3M3, 5%, 1/2W, Metalized Glass.	2322 242 13335
3204	Res, 22K, 5%, 1/6W, Carbon Film. . . .	3198 011 02230	S 3504	PTC, DC, 120V,P3020 B.	2120 661 00025
3206	Res, 170K, 5%, 1/8W, Metalized Glass	2322 730 61274	S 3506	Res, 1M5, 5%, 1/2W, Metalized Glass.	2322 242 13155
3207	Res, 1K, 5%, 1/6W, Carbon Film. . . .	3198 011 01020	S 3507	Surge Protector.	2422 549 43073
3208	Res, 220 ohm, 5%, 1/16W, Metalized Gl		S 3508	Res, 220 ohm, 20%, 1/2W, Carbon Film	3198 013 02210
	ass.	3198 021 32210	S 3510	NTC, DC, B57237, 3W1, 4R7, 20% . . .	2122 612 00056
3209	Res, 68 ohm, 5%, 1/16W, Metalized Gla		3519	Res, 270 ohm, 5%, 1/6W, Carbon Film.	3198 011 02710
	ss.	3198 021 36890	3520	Res, 1K2, 5%, 1/10W, Metalized Glass	3198 021 51220
3212	Res, 470 ohm, 5%, 1/16W, Metalized Gl		3521	Res, 4R7, 5%, 1/6W, Carbon Film. . . .	3198 011 04780
	ass.	3198 021 34710	3522	Res, 330K, 1%, 1/8W, Metalized Glass	2322 734 63304
3213	Res, 560 ohm, 5%, 1/6W, Carbon Film.	3198 011 05610	S 3523	Res, 100 ohm, 5%, 1/3W, Metal Film. .	2306 204 03101
3217	Res, 330K, 5%, 1/16W, Metalized Glass	3198 021 33340	3524	Res, 56K, 5%, 1/10W, Metalized Glass	3198 021 55630
3218	Res, 82K, 5%, 1/10W, Metalized Glass	3198 021 58230	3525	Res, 1K, 5%, 1/10W, Metalized Glass.	3198 021 51020
3219	Res, 2K2, 5%, 1/16W, Metalized Glass	3198 021 32220	3526	Res, 0R1, 5%, 3/5W, Metal Film. . . .	3198 012 11070
3220	Res, 100 ohm, 5%, 1/6W, Carbon Film.	3198 011 01010	3527	Res, 0R33, 5%, 3/5W, Metal Film. . . .	3198 012 13370
3221	Res, 560 ohm, 5%, 1/6W, Carbon Film.	3198 011 05610	3528	Res, Zero ohm, "Chip" Jumper	3198 021 90020
3222	Res, 100 ohm, 5%, 1/6W, Carbon Film.	3198 011 01010	3529	Res, 47K, 5%, 1/10W, Metalized Glass	3198 021 54730
3226	Res, 560 ohm, 5%, 1/16W, Metalized Gl		3530	Res, 10K, 5%, 1/10W, Metalized Glass	3198 021 51030
	ass.	3198 021 35610	3531	Res, 4K7, 5%, 1/10W, Metalized Glass	3198 021 54720
3235	Res, 100 ohm, 5%, 1/6W, Carbon Film.	3198 011 01010	S 3532	Res, 2K2, 5%, 1/3W, Metal Film. . . .	2306 204 03222
3241	Res, 22K, 5%, 1/10W, Metalized Glass	3198 021 52230	3541	Res, 470 ohm, 5%, 1/10W, Metalized Gl	
3242	Res, 12K, 5%, 1/10W, Metalized Glass	3198 021 51230		ass.	3198 021 54710

S = Safety Part Be sure to use exact replacement part.

MS3652S327 (continued)

3542	Res, 1K5, 5%, 1/10W, Metalized Glass	3198 021 51520	4402	Res, Zero ohm, "Chip" Jumper	3198 021 90020
3543	Res, 82K, 1%, 3/5W, Metal Film	2312 915 18203	4430	Res, Zero ohm, "Chip" Jumper	3198 021 90020
3544	Res, 4K7, 1%, 1/8W, Metalized Glass	2322 734 64702	4500	Res, Zero ohm, "Chip" Jumper	3198 021 90020
3545	Res, 270K, 5%, 1/8W, Metalized Glass	2322 730 61274	4601	Res, Zero ohm, "Chip" Jumper	3198 021 90020
3548	Res, 15K, 5%, 1/10W, Metalized Glass	3198 021 51530	4613	Res, Zero ohm, "Chip" Jumper	3198 021 90020
3552	Res, 4K7, 5%, 1/10W, Metalized Glass	3198 021 54720	4614	Res, Zero ohm, "Chip" Jumper	3198 021 90020
3557	Res, 1K, 5%, 1/10W, Metalized Glass	3198 021 51020	4615	Res, Zero ohm, "Chip" Jumper	3198 021 90020
3561	Res, 100 ohm, 5%, 1/6W, Carbon Film	3198 011 01010	4617	Res, Zero ohm, "Chip" Jumper	3198 021 90020
3562	Res, 12K, 5%, 1/10W, Metalized Glass	3198 021 51230	4619	Res, Zero ohm, "Chip" Jumper	3198 021 90020
3563	Res, 5K6, 5%, 1/10W, Metalized Glass	3198 021 55620	4622	Res, Zero ohm, "Chip" Jumper	3198 021 90020
3564	Res, 0R1, 5%, 1 1/3W, Metal Film	3198 012 21070	4623	Res, Zero ohm, "Chip" Jumper	3198 021 90020
3565	Res, 330 ohm, 5%, 1W, Metal Film	3198 012 13310	4691	Res, Zero ohm, "Chip" Jumper	3198 021 90020
3566	Res, 2K2, 5%, 1/10W, Metalized Glass	3198 021 52220	4692	Res, Zero ohm, "Chip" Jumper	3198 021 90020
3569	Res, 5K6, 5%, 1/10W, Metalized Glass	3198 021 55620	4693	Res, Zero ohm, "Chip" Jumper	3198 021 90020
3580	Res, 47K, 5%, 1/10W, Metalized Glass	3198 021 54730	4696	Res, Zero ohm, "Chip" Jumper	3198 021 90020
3594	Res, 330 ohm, 5%, 1/10W, Metalized Glass	3198 021 53310	4831	Res, Zero ohm, "Chip" Jumper	3198 021 90020
3595	Res, 220K, 5%, 1/10W, Metalized Glass	3198 021 52240	4833	Res, Zero ohm, "Chip" Jumper	3198 021 90020
3596	Res, 220K, 5%, 1/10W, Metalized Glass	3198 021 52240	4835	Res, Zero ohm, "Chip" Jumper	3198 021 90020
3601	Res, 8K2, 5%, 1/6W, Carbon Film	3198 011 08220	4901	Res, Zero ohm, "Chip" Jumper	3198 021 90020
3603	Res, 100 ohm, 5%, 1/6W, Carbon Film	3198 011 01010	4903	Res, Zero ohm, "Chip" Jumper	3198 021 90020
3604	Res, 100 ohm, 5%, 1/6W, Carbon Film	3198 011 01010	4982	Res, Zero ohm, "Chip" Jumper	3198 021 90020
3605	Res, 4K7, 5%, 1/10W, Metalized Glass	3198 021 54720	5001	Coil, 27u.	3198 018 22790
3606	Res, 2K2, 5%, 1/6W, Carbon Film	3198 011 02220	5002	Coil, 820n	3198 018 18270
3607	Res, 2K2, 5%, 1/6W, Carbon Film	3198 011 02220	5201	Coil, 6u8	3198 018 16880
3608	Res, 100 ohm, 5%, 1/6W, Carbon Film	3198 011 01010	5202	Wire Jumper, 0.58MM	3198 036 90010
3609	Res, 1K, 5%, 1/6W, Carbon Film	3198 011 01020	5204	Fixed, Inductor, 100MHZ, 80 ohm	3198 018 90020
3610	Res, 8K2, 5%, 1/6W, Carbon Film	3198 011 08220	5205	Fixed, Inductor, 100MHZ, 80 ohm	3198 018 90020
3611	Res, 100 ohm, 5%, 1/16W, Metalized Glass	3198 021 31010	5206	Fixed, Inductor, 100MHZ, 80 ohm	3198 018 90020
3618	Res, 6K8, 5%, 1/6W, Carbon Film	3198 011 06820	5241	Wire Jumper, 0.58MM	3198 036 90010
3622	Res, 100 ohm, 5%, 1/10W, Metalized Glass	3198 021 51010	5242	Coil, 10u.	3198 018 11090
3623	Res, 4K7, 5%, 1/10W, Metalized Glass	3198 021 54720	5401	Coil, 1m	3198 018 71020
3624	Res, 100 ohm, 5%, 1/6W, Carbon Film	3198 011 01010	S 5445	Transformer, PSL0T	3128 138 21421
3625	Res, 100 ohm, 5%, 1/6W, Carbon Film	3198 011 01010	5451	Coil, 33u.	3198 018 73390
3626	Res, 4K7, 5%, 1/10W, Metalized Glass	3198 021 54720	5452	Fixed, Inductor, 100MHZ, 80 ohm	3198 018 90020
3627	Res, 4K7, 5%, 1/10W, Metalized Glass	3198 021 54720	5457	Coil, Linear, DC12	3128 138 55881
3628	Res, 10K, 5%, 1/10W, Metalized Glass	3198 021 51030	5461	Transformer, Signal Driver, SC10015-0	
3630	Res, 2K2, 5%, 1/16W, Metalized Glass	3198 021 32220	5463	0 B.	2422 531 02465
3632	Res, Zero ohm, "Chip" Jumper	3198 021 90020	5471	Coil, Choke	3128 138 37021
3635	Res, 100 ohm, 5%, 1/6W, Carbon Film	3198 011 01010	5472	Coil, 4u7	3198 018 74780
3636	Res, 100 ohm, 5%, 1/10W, Metalized Glass	3198 021 51010	5472	Coil, 3u3	3198 018 23380
3639	Res, Zero ohm, "Chip" Jumper	3198 021 90020	5480	Coil, 39u.	2422 535 97336
3681	Res, 390 ohm, 5%, 1/16W, Metalized Glass	3198 021 33910	S 5501	Filter, Mains, 5mH, 2A	2422 549 43432
3682	Res, 3K3, 5%, 1/10W, Metalized Glass	3198 021 53320	S 5520	Transformer, Layer, SS39009-04 B	2422 531 02459
3683	Res, 390 ohm, 5%, 1/16W, Metalized Glass	3198 021 33910	5521	Fixed, Inductor, 100MHZ, 50R	3198 018 90010
3684	Res, 560 ohm, 5%, 1/16W, Metalized Glass	3198 021 35610	5560	Fixed, Inductor, 100MHZ, 50R	3198 018 90010
3685	Res, 560 ohm, 5%, 1/16W, Metalized Glass	3198 021 35610	5561	Coil, 27u.	3198 018 22790
3686	Res, 1K5, 5%, 1/16W, Metalized Glass	3198 021 31520	5562	Fixed, Inductor, 100MHZ, 50R	3198 018 90010
3691	Res, 330 ohm, 5%, 1/16W, Metalized Glass	3198 021 33310	5564	Fixed, Inductor, 100MHZ, 50R	3198 018 90010
3693	Res, 220 ohm, 5%, 1/16W, Metalized Glass	3198 021 32210	5602	Coil, 5u6	3198 018 15680
3694	Res, 4K7, 5%, 1/10W, Metalized Glass	3198 021 54720	5603	Coil, 5u6	3198 018 15680
3801	Res, 220 ohm, 5%, 1/6W, Carbon Film	3198 011 02210	5604	Coil, 5u6	3198 018 15680
3802	Res, 1K, 5%, 1/6W, Carbon Film	3198 011 01020	5831	Coil, 6u8	3198 018 16880
3809	Res, 75 ohm, 5%, 1/10W, Metalized Glass	3198 021 57590	5832	Coil, 6u8	3198 018 16880
3810	Res, 75 ohm, 5%, 1/10W, Metalized Glass	3198 021 57590	5833	Coil, 6u8	3198 018 16880
3831	Res, 47K, 5%, 1/16W, Metalized Glass	3198 021 34730	5835	Coil, 12u.	3198 018 31290
3832	Res, 100 ohm, 5%, 1/6W, Carbon Film	3198 011 01010	6001	Zener Diode, 33 volt	3198 010 23390
3833	Res, 100 ohm, 5%, 1/6W, Carbon Film	3198 011 01010	6201	Diode, Signal, BAS316	3198 010 10630
3836	Res, 1K, 5%, 1/10W, Metalized Glass	3198 021 51020	6202	Diode, Signal, BAS316	3198 010 10630
3837	Res, 100 ohm, 5%, 1/6W, Carbon Film	3198 011 01010	6206	Zener Diode, 6.8 volt	3198 020 56880
3838	Res, 1K, 5%, 1/10W, Metalized Glass	3198 021 51020	6400	Res, 1K, 1%, 3/5W, Metal Film	2312 915 11002
3839	Res, 100 ohm, 5%, 1/6W, Carbon Film	3198 011 01010	6401	Zener Diode, 47 volt	3198 010 24790
3843	Res, 2K2, 5%, 1/16W, Metalized Glass	3198 021 32220	6445	Zener Diode, 10 volt	3198 020 51090
3901	Res, 1K, 5%, 1/10W, Metalized Glass	3198 021 51020	6447	Diode, Signal, 1N4148	3198 010 10010
3902	Res, 3K3, 5%, 1/10W, Metalized Glass	3198 021 53320	6448	Zener Diode, 6.2 volt	9331 668 30133
3903	Res, 3K3, 5%, 1/10W, Metalized Glass	3198 021 53320	6449	Diode, Signal, BAV99	3198 010 10620
3904	Res, 10K, 5%, 1/10W, Metalized Glass	3198 021 51030	6453	Zener Diode, 6.8 volt	3198 020 56880
3905	Res, 3K3, 5%, 1/10W, Metalized Glass	3198 021 53320	6460	Diode, Rect, DG3-7005L	9336 436 10682
3906	Res, 10K, 5%, 1/10W, Metalized Glass	3198 021 51030	6461	Diode, Rect, RGP30J-L7004	9338 617 60682
3907	Res, 8K2, 5%, 1/10W, Metalized Glass	3198 021 58220	6462	Zener Diode, 9.1 volt	9331 177 80133
4001	Res, Zero ohm, "Chip" Jumper	3198 021 90020	6465	Diode, Signal, BAV21	3198 010 10070
4002	Res, Zero ohm, "Chip" Jumper	3198 021 90020	6466	Diode, Signal, BAV21	3198 010 10070
4101	Res, Zero ohm, "Chip" Jumper	3198 021 90020	6467	Diode, Signal, BAS316	3198 010 10630
4102	Res, Zero ohm, "Chip" Jumper	3198 021 90020	6468	Diode, Signal, BAS316	3198 010 10630
4104	Res, Zero ohm, "Chip" Jumper	3198 021 90020	6469	Diode, Rect, BYD33J	9337 234 20133
4121	Res, Zero ohm, "Chip" Jumper	3198 021 90020	6470	Diode, Signal, BAV99	3198 010 10620
4181	Res, Zero ohm, "Chip" Jumper	3198 021 90020	6476	Zener Diode, 15 volt	3198 010 21590
4209	Res, Zero ohm, "Chip" Jumper	3198 021 90020	6481	Zener Diode, 5.6 volt	3198 010 25680
4216	Res, Zero ohm, "Chip" Jumper	3198 021 90020	6482	Zener Diode, 9.1 volt	9331 177 80133
4217	Res, Zero ohm, "Chip" Jumper	3198 021 90020	6483	Zener Diode, 33 volt	3198 010 23390
4401	Res, Zero ohm, "Chip" Jumper	3198 021 90020	6485	Diode, Rect, BYD33J	9337 234 20133
			6486	Diode, Rect, EGP20DL-5100	9322 164 42682
			6487	Diode, Rect, BYD33D	9337 234 00133
			6488	Diode, Rect, EGP20DL-5100	9322 164 42682
			6500	Diode, Bridge Rect, GBU4JL-7002	9322 132 55667
			6520	Diode, Rect, BYD33D	9337 234 00133
			6523	Diode, Signal, 1N4148	3198 010 10010
			6524	Diode, Rect, 1N5062	3198 010 10120
			6525	Diode, Rect, 1N5062	3198 010 10120
			6526	Zener Diode, 22 volt	3198 020 52290
			6540	Zener Diode, 6.2 volt	9331 668 30133
			6541	Zener Diode, 10 volt	3198 020 51090
			6560	Diode, Rect, BYV29X-500	9340 555 59127

S = Safety Part. Be sure to use exact replacement part.

MS3652S327 (continued)

6562	Diode, Rect., EGP20DL-5100	9322	164	42682	9515	Wire Jumper, 0.58MM.	3198	036	90010
6563	Diode, Signal, BAS316.	3198	010	10630	9516	Wire Jumper, 0.58MM.	3198	036	90010
6565	Diode, Signal, BAV70	9331	849	10215	9518	Wire Jumper, 0.58MM.	3198	036	90010
6566	Diode, Signal, 1N4148.	3198	010	10010	9520	Wire Jumper, 0.58MM.	3198	036	90010
6569	Diode, Signal, BAS316.	3198	010	10630	9521	Wire Jumper, 0.58MM.	3198	036	90010
6570	Zener Diode, 6.8 volt.	3198	020	56880	9522	Wire Jumper, 0.58MM.	3198	036	90010
6580	Diode, Signal, BAS316.	3198	010	10630	9524	Wire Jumper, 0.58MM.	3198	036	90010
6681	Diode, Signal, BAT85	9336	247	60133	9525	Wire Jumper, 0.58MM.	3198	036	90010
6691	LED, LTL-10224WHCR.	9322	050	99682	9528	Wire Jumper, 0.58MM.	3198	036	90010
6692	IR Receiver, TSOP1836UH3V	9322	127	54667	9610	Wire Jumper, 0.58MM.	3198	036	90010
6831	Diode, Signal, 1N4148.	3198	010	10010	9611	Coil, 27u.	3198	018	22790
6901	Res, Zero ohm, "Chip" Jumper	3198	021	90020	9612	Wire Jumper, 0.58MM.	3198	036	90010
7101	Transistor, NPN, BC847B.	3198	010	42030	9613	Wire Jumper, 0.58MM.	3198	036	90010
7200	IC, TDA9588H/N1/3/0832	9352	716	34557	9614	Wire Jumper, 0.58MM.	3198	036	90010
7201	Transistor, NPN, BC847B.	3198	010	42030	9615	Wire Jumper, 0.58MM.	3198	036	90010
7204	Transistor, PNP, BC857B.	3198	010	42150	9616	Wire Jumper, 0.58MM.	3198	036	90010
7205	Transistor, PNP, BC857B.	3198	010	42150	9617	Wire Jumper, 0.58MM.	3198	036	90010
7400	FET Power, STP3NC60FP.	9322	157	37687	9618	Wire Jumper, 0.58MM.	3198	036	90010
7441	Transistor, PNP, BC857B.	3198	010	42150	9619	Wire Jumper, 0.58MM.	3198	036	90010
7443	Transistor, PNP, BC557B.	3198	020	40110	9620	Wire Jumper, 0.58MM.	3198	036	90010
7450	Transistor, NPN, PDTA114ET	3198	010	44010	9621	Wire Jumper, 0.58MM.	3198	036	90010
7460	Transistor, NPN, BU4508DX.	9340	550	92127	9622	Wire Jumper, 0.58MM.	3198	036	90010
7461	Transistor, NPN, BC337-25.	3198	020	43530	9623	Wire Jumper, 0.58MM.	3198	036	90010
7462	Transistor, NPN, PDTA143ZT	9340	547	00215	9624	Wire Jumper, 0.58MM.	3198	036	90010
7463	Transistor, PNP, BC327-25.	3198	020	43430	9625	Wire Jumper, 0.58MM.	3198	036	90010
7471	IC, TDA8359J/N2.	9352	701	64112	9626	Wire Jumper, 0.58MM.	3198	036	90010
7480	Transistor, NPN, BD135	3198	020	41010	9627	Wire Jumper, 0.58MM.	3198	036	90010
7482	Transistor, NPN, BD135	3198	020	41010	9628	Wire Jumper, 0.58MM.	3198	036	90010
S 7515	Optic, Coupler, TCE11104(G).	9322	175	72667	9629	Wire Jumper, 0.58MM.	3198	036	90010
7520	IC, TEA1507P/N1.	9352	673	56112	9630	Wire Jumper, 0.58MM.	3198	036	90010
7521	FET Power, STP8NC50FP.	9322	160	72687	9631	Wire Jumper, 0.58MM.	3198	036	90010
7522	Transistor, NPN, BC847B.	3198	010	42030	9632	Wire Jumper, 0.58MM.	3198	036	90010
7540	Transistor, NPN, BC547B.	3198	020	40030	9633	Wire Jumper, 0.58MM.	3198	036	90010
7541	Transistor, NPN, PDTC114ET	9340	310	10215	9634	Wire Jumper, 0.58MM.	3198	036	90010
7542	Transistor, PNP, BC857B.	3198	010	42150	9637	Wire Jumper, 0.58MM.	3198	036	90010
7560	IC, L78L33ACZ.	9322	134	92676	9638	Wire Jumper, 0.58MM.	3198	036	90010
7561	Transistor, NPN, PDTC143ZT	9340	547	00215	9639	Wire Jumper, 0.58MM.	3198	036	90010
7580	Transistor, PNP, BC857B.	3198	010	42150	9640	Wire Jumper, 0.58MM.	3198	036	90010
7602	IC, M24C08-WBNE.	9322	154	38682	9641	Wire Jumper, 0.58MM.	3198	036	90010
7606	Transistor, NPN, PDTC143ZT	9340	547	00215	9642	Wire Jumper, 0.58MM.	3198	036	90010
7801	IC, HEF4052BT.	9333	729	50653	9643	Wire Jumper, 0.58MM.	3198	036	90010
7802	IC, HEF4053BT.	9333	729	60653	9644	Wire Jumper, 0.58MM.	3198	036	90010
7831	IC, MSP3445G-PO-B8	9322	160	81682	9645	Wire Jumper, 0.58MM.	3198	036	90010
7901	IC, AN7522N	9322	181	41682	9646	Wire Jumper, 0.58MM.	3198	036	90010
9001	Wire Jumper, 0.58MM.	3198	036	90010	9648	Wire Jumper, 0.58MM.	3198	036	90010
9121	Wire Jumper, 0.58MM.	3198	036	90010	9650	Wire Jumper, 0.58MM.	3198	036	90010
9122	Wire Jumper, 0.58MM.	3198	036	90010	9654	Wire Jumper, 0.58MM.	3198	036	90010
9171	Wire Jumper, 0.58MM.	3198	036	90010	9655	Wire Jumper, 0.58MM.	3198	036	90010
9172	Wire Jumper, 0.58MM.	3198	036	90010	9656	Wire Jumper, 0.58MM.	3198	036	90010
9173	Wire Jumper, 0.58MM.	3198	036	90010	9657	Wire Jumper, 0.58MM.	3198	036	90010
9175	Wire Jumper, 0.58MM.	3198	036	90010	9658	Wire Jumper, 0.58MM.	3198	036	90010
9176	Wire Jumper, 0.58MM.	3198	036	90010	9659	Wire Jumper, 0.58MM.	3198	036	90010
9178	Wire Jumper, 0.58MM.	3198	036	90010	9660	Wire Jumper, 0.58MM.	3198	036	90010
9179	Wire Jumper, 0.58MM.	3198	036	90010	9661	Wire Jumper, 0.58MM.	3198	036	90010
9181	Wire Jumper, 0.58MM.	3198	036	90010	9662	Wire Jumper, 0.58MM.	3198	036	90010
9182	Wire Jumper, 0.58MM.	3198	036	90010	9663	Wire Jumper, 0.58MM.	3198	036	90010
9183	Wire Jumper, 0.58MM.	3198	036	90010	9664	Wire Jumper, 0.58MM.	3198	036	90010
9192	Wire Jumper, 0.58MM.	3198	036	90010	9665	Wire Jumper, 0.58MM.	3198	036	90010
9193	Wire Jumper, 0.58MM.	3198	036	90010	9666	Wire Jumper, 0.58MM.	3198	036	90010
9406	Wire Jumper, 0.58MM.	3198	036	90010	9668	Wire Jumper, 0.58MM.	3198	036	90010
9407	Wire Jumper, 0.58MM.	3198	036	90010	9669	Wire Jumper, 0.58MM.	3198	036	90010
9408	Wire Jumper, 0.58MM.	3198	036	90010	9670	Wire Jumper, 0.58MM.	3198	036	90010
9409	Wire Jumper, 0.58MM.	3198	036	90010	9672	Coil, 27u.	2422	535	95366
9410	Wire Jumper, 0.58MM.	3198	036	90010	9674	Wire Jumper, 0.58MM.	3198	036	90010
9411	Wire Jumper, 0.58MM.	3198	036	90010	9675	Wire Jumper, 0.58MM.	3198	036	90010
9412	Wire Jumper, 0.58MM.	3198	036	90010	9676	Wire Jumper, 0.58MM.	3198	036	90010
9413	Wire Jumper, 0.58MM.	3198	036	90010	9678	Coil, 27u.	2422	535	95366
9414	Wire Jumper, 0.58MM.	3198	036	90010	9679	Wire Jumper, 0.58MM.	3198	036	90010
9415	Wire Jumper, 0.58MM.	3198	036	90010	9680	Wire Jumper, 0.58MM.	3198	036	90010
9416	Wire Jumper, 0.58MM.	3198	036	90010	9683	Wire Jumper, 0.58MM.	3198	036	90010
9417	Wire Jumper, 0.58MM.	3198	036	90010	9685	Wire Jumper, 0.58MM.	3198	036	90010
9418	Wire Jumper, 0.58MM.	3198	036	90010	9686	Wire Jumper, 0.58MM.	3198	036	90010
9419	Wire Jumper, 0.58MM.	3198	036	90010	9687	Wire Jumper, 0.58MM.	3198	036	90010
9421	Wire Jumper, 0.58MM.	3198	036	90010	9688	Wire Jumper, 0.58MM.	3198	036	90010
9422	Wire Jumper, 0.58MM.	3198	036	90010	9689	Wire Jumper, 0.58MM.	3198	036	90010
9423	Wire Jumper, 0.58MM.	3198	036	90010	9690	Wire Jumper, 0.58MM.	3198	036	90010
9424	Wire Jumper, 0.58MM.	3198	036	90010	9691	Wire Jumper, 0.58MM.	3198	036	90010
9425	Wire Jumper, 0.58MM.	3198	036	90010	9694	Wire Jumper, 0.58MM.	3198	036	90010
9426	Wire Jumper, 0.58MM.	3198	036	90010	9695	Wire Jumper, 0.58MM.	3198	036	90010
9427	Wire Jumper, 0.58MM.	3198	036	90010	9697	Wire Jumper, 0.58MM.	3198	036	90010
9453	Wire Jumper, 0.58MM.	3198	036	90010	9698	Wire Jumper, 0.58MM.	3198	036	90010
9460	Wire Jumper, 0.58MM.	3198	036	90010	9699	Wire Jumper, 0.58MM.	3198	036	90010
9463	Wire Jumper, 0.58MM.	3198	036	90010	9821	Wire Jumper, 0.58MM.	3198	036	90010
9500	Wire Jumper, 0.58MM.	3198	036	90010	9822	Wire Jumper, 0.58MM.	3198	036	90010
9501	Wire Jumper, 0.58MM.	3198	036	90010	9823	Wire Jumper, 0.58MM.	3198	036	90010
9503	Wire Jumper, 0.58MM.	3198	036	90010	9824	Wire Jumper, 0.58MM.	3198	036	90010
9506	Wire Jumper, 0.58MM.	3198	036	90010	9825	Wire Jumper, 0.58MM.	3198	036	90010
9507	Wire Jumper, 0.58MM.	3198	036	90010	9827	Wire Jumper, 0.58MM.	3198	036	90010
9510	Wire Jumper, 0.58MM.	3198	036	90010	9828	Wire Jumper, 0.58MM.	3198	036	90010
9512	Wire Jumper, 0.58MM.	3198	036	90010	9829	Wire Jumper, 0.58MM.	3198	036	90010
9513	Wire Jumper, 0.58MM.	3198	036	90010	9830	Wire Jumper, 0.58MM.	3198	036	90010
9514	Wire Jumper, 0.58MM.	3198	036	90010	9831	Wire Jumper, 0.58MM.	3198	036	90010

S = Safety Part. Be sure to use exact replacement part.

MS3652S327 (continued)

9832	Wire Jumper, 0.58MM.	3198	036	90010	2172	Cap, 470p, 10%, 50v, Ceramic	3198	019	14710
9833	Wire Jumper, 0.58MM.	3198	036	90010	2173	Cap, 470p, 10%, 50v, Ceramic	3198	019	14710
9834	Wire Jumper, 0.58MM.	3198	036	90010	2174	Cap, 470p, 10%, 50v, Ceramic	3198	019	14710
9835	Wire Jumper, 0.58MM.	3198	036	90010	2176	Cap, 470p, 10%, 50v, Ceramic	3198	019	14710
9836	Wire Jumper, 0.58MM.	3198	036	90010	2177	Cap, 10u, 20%, 50v, Electrolytic . . .	3198	025	51090
9837	Wire Jumper, 0.58MM.	3198	036	90010	2178	Cap, 470p, 10%, 50v, Ceramic	3198	019	14710
9838	Wire Jumper, 0.58MM.	3198	036	90010	2179	Cap, 10u, 20%, 50v, Electrolytic . . .	3198	025	51090
9839	Wire Jumper, 0.58MM.	3198	036	90010	3150	Res, 47K, 5%, 1/6W, Carbon Film. . .	3198	011	04730
9840	Wire Jumper, 0.58MM.	3198	036	90010	3151	Res, 150 ohm, 5%, 1/6W, Carbon Film.	3198	011	01510
9841	Wire Jumper, 0.58MM.	3198	036	90010	3152	Res, 47K, 5%, 1/6W, Carbon Film. . .	3198	011	04730
9842	Wire Jumper, 0.58MM.	3198	036	90010	3153	Res, 150 ohm, 5%, 1/6W, Carbon Film.	3198	011	01510
9843	Wire Jumper, 0.58MM.	3198	036	90010	3156	Res, 120 ohm, 5%, 1/6W, Carbon Film.	3198	011	01210
9844	Wire Jumper, 0.58MM.	3198	036	90010	3157	Res, 120 ohm, 5%, 1/6W, Carbon Film.	3198	011	01210
9845	Wire Jumper, 0.58MM.	3198	036	90010	6161	Zener Diode, 6.8 volt.	3198	010	26880
9846	Wire Jumper, 0.58MM.	3198	036	90010	9155	Jumper	3198	036	90010
9847	Wire Jumper, 0.58MM.	3198	036	90010					
9849	Wire Jumper, 0.58MM.	3198	036	90010					
9851	Wire Jumper, 0.58MM.	3198	036	90010					
9901	Wire Jumper, 0.58MM.	3198	036	90010					
9902	Wire Jumper, 0.58MM.	3198	036	90010					
9903	Wire Jumper, 0.58MM.	3198	036	90010					
9904	Wire Jumper, 0.58MM.	3198	036	90010					
9905	Wire Jumper, 0.58MM.	3198	036	90010					
9911	Wire Jumper, 0.58MM.	3198	036	90010					
9912	Wire Jumper, 0.58MM.	3198	036	90010					
9913	Wire Jumper, 0.58MM.	3198	036	90010					
9914	Wire Jumper, 0.58MM.	3198	036	90010					
9915	Wire Jumper, 0.58MM.	3198	036	90010					
9916	Wire Jumper, 0.58MM.	3198	036	90010					
9918	Wire Jumper, 0.58MM.	3198	036	90010					
9919	Wire Jumper, 0.58MM.	3198	036	90010					
9920	Wire Jumper, 0.58MM.	3198	036	90010					
9921	Wire Jumper, 0.58MM.	3198	036	90010					
9991	Wire Jumper, 0.58MM.	3198	036	90010					
9993	Wire Jumper, 0.58MM.	3198	036	90010					
9994	Wire Jumper, 0.58MM.	3198	036	90010					
9996	Wire Jumper, 0.58MM.	3198	036	90010					
9997	Wire Jumper, 0.58MM.	3198	036	90010					
9998	Wire Jumper, 0.58MM.	3198	036	90010					
CBA	Main Chassis Assembly.	3139	187	22871					

CRT Panel Parts (Part of Main Chassis)

CRT Panel Parts (Part of Main Chassis)									
S 0244	Connector, 5 Pin	2422	025	04853					
S 0245	Connector, 6 Pin	2422	025	04854					
S 0254	Socket, CRT, 10 Pin.	2422	500	80079					
2330	Cap, 100n, 10%, 250v, Metalized Polyp ropylene	2222	368	90177					
2340	Cap, 10u, 20%, 250v, Electrolytic. . .	2020	012	93495					
2341	Cap, 3n3, 10%, 500v, Ceramic	3198	019	43320					
2342	Cap, 560p, 5%, 50v, Ceramic.	3198	016	05610					
2343	Cap, 3n3, 10%, 2000v, Ceramic. . . .	2020	558	90529					
2344	Cap, 100n, ?20%, 25v, Ceramic. . . .	3198	023	21040					
2345	Cap, 1n, 10%, 500v, Ceramic.	3198	019	41020					
3331	Res, 100 ohm, 5%, 1/6W, Carbon Film.	3198	011	01010					
3332	Res, 1K, 20%, 1/2W, Carbon Film. . .	3198	013	01020					
3333	Res, 100 ohm, 5%, 1/6W, Carbon Film.	3198	011	01010					
3334	Res, 1K, 20%, 1/2W, Carbon Film. . .	3198	013	01020					
3335	Res, 100 ohm, 5%, 1/6W, Carbon Film.	3198	011	01010					
3336	Res, 1K, 20%, 1/2W, Carbon Film. . .	3198	013	01020					
S 3340	Res, 10 ohm, 5%, 1/2W, Metal Film. . .	2306	207	03109					
S 3341	Res, 1 ohm, 5%, 1/3W, Metal Film. . .	2306	204	03108					
S 3342	Res, 1 ohm, 5%, 1/3W, Metal Film. . .	2306	204	03108					
3343	Res, 1K5, 20%, 1/2W, Carbon Film. . .	3198	013	01520					
3344	Res, 22 ohm, 5%, 1/6W, Carbon Film. .	3198	011	02290					
S 3345	VDR, DC, 1mA, 50V, MAX, 115V	2322	593	13507					
3346	Res, 22 ohm, 5%, 1/6W, Carbon Film. .	3198	011	02290					
3347	Res, Zero ohm, "Chip" Jumper	3198	021	90020					
3350	Res, Zero ohm, "Chip" Jumper	3198	021	90020					
3353	Res, Zero ohm, "Chip" Jumper	3198	021	90020					
5342	Coil, 22u.	2422	535	97333					
6331	Diode, Signal, BAV21	3198	010	10070					
6332	Diode, Signal, BAS316.	3198	010	10630					
6333	Diode, Signal, BAV21	3198	010	10070					
6335	Diode, Signal, BAV21	3198	010	10070					
7330	IC, TDA6107Q/N2.	9352	576	50112					
9311	Wire Jumper, 0.58MM.	3198	036	90010					
9341	Wire Jumper, 0.58MM.	3198	036	90010					
9342	Wire Jumper, 0.58MM.	3198	036	90010					
9343	Wire Jumper, 0.58MM.	3198	036	90010					

Side AV Panel & Headphone Parts - 313913729181

Side AV Panel & Headphone Parts - 313 913729181									
CBA	Side AV Panel & Headphone Assembly .	3139	137	29181					
0232	1 Pin Headphone Socket	2422	026	04747					
0250	3 Pin Cinch Socket	2422	026	04815					
0251	3 Pin Connector.	2412	020	00725					
0253	6 Pin Connector.	2422	025	16382					
0254	5 Pin Connector.	2422	025	12481					
0255	4 Pin Connector.	2422	025	12479					
2171	Cap, 470p, 10%, 50v, Ceramic	3198	019	14710					

S = Safety Part Be sure to use exact replacement part.

PC0125C321 - Manual no. 7629

Cabinet & Accessory Parts

	Cabinet & Accessory Parts			
S AC01	AC Cord	3135	010	07161
AC04	Cabinet Back, 25' Card	3135	124	00091
AC06	Card Door	3135	014	05211
AC08	Clip, AC Cord	3135	014	09931
AC09	Clip, Anode Lead	3135	014	04471
S AC10	CRT, A63AFW36X05	9301	885	40458
AC11	Customer Control Buttons	3139	124	27471
S AC12	Degaussing Coil	2422	549	44489
AC13	Holder, Degaussing Coil (4 Used)	3135	013	01641
AC14	Housing, Smart Port	3135	124	00121
AC16	Owner's Manual	3135	015	16031
AC20	Cabinet Front Assembly f/PC0125C321	3121	237	52371
AC20a	Cabinet Front	3135	017	04111
AC20b	Chassis Guide (2 Used)	3139	124	31381
AC20d	Light Guide	3139	124	26461
AC20f	Power Button	3139	124	30891
AC20i	Bracket, Power Button	3135	121	20061
AC20j	Speaker, Full Range, 16ohm, 1.5W (2 U sed)	2422	264	00343
S AC21	Deflection Yoke	3321	203	00121

Main Chassis Assembly Parts

	Main Chassis Assembly Parts			
0127	2 Pin Fuse Socket	3122	358	71251
S 0211	Connector, 2 Pin	2422	025	16269
S 0212	Connector, 2 Pin	2422	025	16375
0213	Connector, 2 Pin	2422	025	16374
0217	Connector, 6 Pin	2422	025	12482
0220	Connector, 5 Pin	2422	025	04853
S 0221	Connector, 4 Pin	2422	025	15503
S 0222	Connector, 2 Pin	2422	025	10646
0227	Connector, 6 Pin	2422	025	15849
0229	Connector, 3 Pin	2412	020	00725
0240	Connector, 7 Pin	2422	025	11244
0242	Connector, 7 Pin	2422	025	17042
0243	Connector, 6 Pin	2422	025	04854
0246	Connector, 5 Pin	2422	025	12481
0251	Connector, 3 Pin	2412	020	00725
0259	Connector, 5 Pin	2422	025	15848
0267	Connector, 3 Pin	2412	020	00725
1000	Tuner, V+U PLL	2422	542	90113
1002	SAW Filter, 45.5 MHz, F072TPL-A L	2422	549	44327
1200	Filter, Ceramic, 4MHz5	2422	549	40807
S 1500	Fuse, 4A, 250V, IEC	2422	086	10869
S 1515	Relay, 1P, 12V	2422	132	07444
1600	Tact Switch	2422	128	02742
1601	Tact Switch	2422	128	02742
1602	Tact Switch	2422	128	02742
1603	Tact Switch	2422	128	02742
1606	Tact Switch	2422	128	02742
1660	Crystal Resonator, 12 MHz, 20P, HC49/ U A	2422	543	01203
1861	Ceramic Resonator, 514.5 KHz, CSB503F 58 B	2422	540	98344
2004	Cap, 47n, 10%, 25v, Ceramic	3198	023	04730
2005	Cap, 10u, 20%, 50v, Electrolytic	3198	025	51090
2006	Cap, 470u, 20%, 16v, Electrolytic	3198	025	24710
2007	Cap, 100n, +80/-20%, 25v, Ceramic	3198	023	21040
2008	Cap, 100u, 20%, 25v, Electrolytic	3198	025	31010
2009	Cap, 22n, 10%, 50v, Ceramic	3198	017	02230
2105	Cap, 470p, 10%, 50v, Ceramic	3198	019	14710
2106	Cap, 470p, 10%, 50v, Ceramic	3198	019	14710
2135	Cap, 22p, 5%, 50v, Ceramic	3198	016	02290
2136	Cap, 22p, 5%, 50v, Ceramic	3198	016	02290
2202	Cap, 100n, +80/-20%, 25v, Ceramic	3198	023	21040
2203	Cap, 100n, +80/-20%, 25v, Ceramic	3198	023	21040
2204	Cap, 100n, +80/-20%, 25v, Ceramic	3198	023	21040
2205	Cap, 220n, +80/-20%, 25v, Ceramic	3198	023	22240
2208	Cap, 100n, +80/-20%, 25v, Ceramic	3198	023	21040
2209	Cap, 4u7, 20%, 50v, Electrolytic	3198	025	54780
2210	Cap, 1u, +80/-20%, 16v, Ceramic	3198	017	21050
2211	Cap, 470n, +80/-20%, 16v, Ceramic	3198	017	24740
2213	Cap, 22n, 10%, 50v, Ceramic	3198	017	02230
2214	Cap, 22n, 10%, 50v, Ceramic	3198	017	02230
2215	Cap, 22n, 10%, 50v, Ceramic	3198	017	02230
2216	Cap, 1000u, 20%, 16v, Electrolytic	3198	026	21020
2217	Cap, 22n, 10%, 50v, Ceramic	3198	017	02230
2219	Cap, 220n, +80/-20%, 25v, Ceramic	3198	023	22240
2220	Cap, 470n, 10%, 50v, Polyester	3198	014	04740
2221	Cap, 22n, +80/-20%, 50v, Ceramic	3198	017	22230
2226	Cap, 100p, 5%, 50v, Ceramic	3198	016	01010
2227	Cap, 4n7, 10%, 50v, Ceramic	3198	017	04720
2228	Cap, 820p, 5%, 50v, Ceramic	3198	016	08210
2229	Cap, 10u, 20%, 50v, Electrolytic	3198	025	51090
2241	Cap, 1n5, 10%, 50v, Ceramic	3198	017	01520
2242	Cap, 1u, +80/-20%, 16v, Ceramic	3198	017	21050
2243	Cap, 2n2, 10%, 50v, Ceramic	3198	017	02220
2244	Cap, 100n, 5%, 63v, Metallized Polye ster	2222	370	76104
2245	Cap, 220n, +80/-20%, 25v, Ceramic	3198	023	22240

2247	Cap, 1000u, 20%, 16v, Electrolytic	3198	026	21020
2248	Cap, 22n, 10%, 50v, Ceramic	3198	017	02230
2249	Cap, 22n, 10%, 50v, Ceramic	3198	017	02230
2250	Cap, 2u2, 20%, 50v, Electrolytic	3198	025	52280
2252	Cap, 1n, 5%, 50v, Ceramic	3198	016	01020
2253	Cap, 1n, 5%, 50v, Ceramic	3198	016	01020
2254	Res, Zero ohm, Chip Jumper	3198	021	90020
2405	Cap, 220u, 20%, 25v, Electrolytic	3198	025	32210
2441	Cap, 1u, 20%, 50v, Electrolytic	3198	025	51080
2443	Cap, 47n, +80/-20%, 50v, Ceramic	3198	017	24730
2444	Cap, 1u, 20%, 50v, Electrolytic	3198	025	51080
2450	Cap, 47u, 20%, 160v, Electrolytic	2020	021	91139
2451	Cap, 15n, 10%, 50v, Polyester	3198	014	01530
2452	Cap, 180p, 5%, 50v, Ceramic	3198	016	01810
2455	Cap, 47u, 20%, 25v, Electrolytic	3198	025	34790
2457	Cap, 470n, 5%, 250v, Polypropylene	2222	479	90023
2458	Cap, 2u2, 20%, 100v, Electrolytic	2020	021	91331
2459	Cap, 680p, 10%, 500v, Ceramic	3198	019	46810
2460	Cap, 100p, 5%, 50v, Ceramic	3198	016	01010
2462	Cap, 330n, 10%, 250v, Polypropylene	2022	333	00084
2463	Cap, 470p, 10%, 2000v, Ceramic	2020	558	90483
2465	Cap, 11n, 5%, 1600v, Polypropylene	2222	375	90155
2471	Cap, 100n, 10%, 50v, Polyester	3198	014	01040
2472	Cap, 150n, 10%, 63v, Metallized Polye ster	2222	365	75154
2473	Cap, 100n, 10%, 63v, Metallized Polye ster	2222	365	75104
2474	Cap, 2n2, 10%, 50v, Ceramic	3198	017	02220
2475	Cap, 2n2, 10%, 50v, Ceramic	3198	017	02220
2476	Cap, 4n7, 10%, 50v, Ceramic	3198	017	04720
2480	Cap, 47u, 20%, 25v, Electrolytic	2020	021	90586
2481	Cap, 470p, 10%, 500v, Ceramic	3198	019	44710
2482	Cap, 68n, 10%, 250v, Polyester	2222	347	90234
2485	Cap, 4u7, 20%, 250v, Electrolytic	2020	021	90856
2486	Cap, 470u, 20%, 16v, Electrolytic	2020	021	91577
2487	Cap, 47u, 20%, 50v, Electrolytic	2020	021	90854
2488	Cap, 1000u, 20%, 16v, Electrolytic	2020	021	91049
2489	Cap, 470u, 20%, 16v, Electrolytic	2020	021	91577
2491	Cap, 1n, 10%, 500v, Ceramic	3198	019	41020
S 2500	Cap, 470n, 20%, 275v, Metallized Poly propylene	2222	336	29148
2501	Cap, 2n2, 10%, 1000v, Ceramic	3198	019	52220
2502	Cap, 2n2, 10%, 1000v, Ceramic	3198	019	52220
2503	Cap, 470u, 20%, 200v, Electrolytic	2020	024	90626
2505	Cap, 2n2, 10%, 1000v, Ceramic	3198	019	52220
2507	Cap, 470p, 10%, 50v, Ceramic	3198	017	04710
2508	Cap, 470p, 10%, 1000v, Ceramic	3198	019	64710
S 2515	Cap, 1n5, 20%, v, Ceramic	2020	554	90128
2520	Cap, 100n, 10%, 16v, Ceramic	3198	017	01040
2521	Cap, 22u, 20%, 50v, Electrolytic	3198	025	52290
2522	Cap, 100n, 10%, 16v, Ceramic	3198	017	01040
2523	Cap, 1n5, 10%, 2000v, Ceramic	2020	558	90489
2525	Cap, 470p, 10%, 50v, Ceramic	3198	017	04710
2527	Cap, 2n2, 10%, 50v, Ceramic	3198	017	02220
2528	Cap, 1n, 10%, 50v, Ceramic	3198	017	01020
2540	Cap, 10n, 10%, 50v, Ceramic	3198	017	01030
2560	Cap, 680p, 10%, 1000v, Ceramic	2020	558	90472
2561	Cap, 100u, 20%, 160v, Electrolytic	2020	021	91654
2562	Cap, 1n, 10%, 50v, Ceramic	3198	019	11020
2563	Cap, 100n, 10%, 50v, Polyester	3198	014	01040
2564	Cap, 2u2, 20%, 25v, Electrolytic	2020	021	91353
2566	Cap, 470u, 20%, 6.3v, Electrolytic	3198	025	04710
2567	Cap, 47u, 20%, 25v, Electrolytic	3198	025	34790
2580	Cap, 47u, 20%, 16v, Electrolytic	3198	028	24790
2581	Cap, 22u, 20%, 50v, Electrolytic	3198	025	52290
2601	Cap, 220n, +80/-20%, 25v, Ceramic	3198	023	22240
2602	Cap, 100p, 5%, 50v, Ceramic	3198	016	01010
2606	Cap, 1n, 10%, 50v, Ceramic	3198	017	01020
2607	Cap, 33p, 5%, 50v, Ceramic	3198	016	03390
2608	Cap, 1u, +80/-20%, 16v, Ceramic	3198	017	21050
2609	Cap, 33p, 5%, 50v, Ceramic	3198	016	03390
2611	Cap, 1u, +80/-20%, 16v, Ceramic	3198	017	21050
2612	Cap, 68p, 5%, 50v, Ceramic	3198	016	06890
2613	Cap, 68p, 5%, 50v, Ceramic	3198	016	06890
2615	Cap, 1n, 10%, 50v, Ceramic	3198	017	01020
2616	Cap, 470n, +80/-20%, 16v, Ceramic	3198	017	24740
2618	Cap, 1u, +80/-20%, 16v, Ceramic	3198	017	21050
2619	Cap, 1u, +80/-20%, 16v, Ceramic	3198	017	21050
2691	Cap, 10u, 20%, 50v, Electrolytic	3198	025	51090
2801	Cap, 22u, 20%, 50v, Electrolytic	3198	025	52290
2802	Cap, 220n, +80/-20%, 25v, Ceramic	3198	023	22240
2805	Cap, 2u2, +80/-20%, 10v, Ceramic	3198	017	22250
2806	Cap, 2u2, +80/-20%, 10v, Ceramic	3198	017	22250
2861	Cap, 220n, +80/-20%, 25v, Ceramic	3198	023	22240
2862	Cap, 2u2, +80/-20%, 10v, Ceramic	3198	017</	

PC0125C321 (continued)

2871	Cap, 150p, 5%, 50v, Ceramic.	3198 016 01510	3452	Res, 10K, 1%, 3/5W, Metal Film	2312 915 11003
2872	Cap, 3n3, 10%, 50v, Ceramic.	3198 017 03320	3453	Res, 1K, 5%, 1/6W, Carbon Film	3198 011 01020
2873	Cap, 2u2, +80/-20%, 10v, Ceramic	3198 017 22250	3454	Res, 3K9, 1%, 3/5W, Metal Film	2312 915 13902
2874	Cap, 100u, 20%, 25v, Electrolytic.	3198 025 31010	3455	Res, 6R8, 5%, 1 1/3W, Metal Film	3198 012 26880
2875	Cap, 100u, 20%, 25v, Electrolytic.	3198 025 31010	3456	Res, Zero ohm, Chip Jumper	3198 021 90020
2876	Cap, 4u7, 20%, 50v, Electrolytic	3198 025 54780	3457	Res, Zero ohm, Chip Jumper	3198 021 90020
2877	Cap, 10u, 20%, 50v, Electrolytic	3198 025 51090	3458	Res, 1K, 5%, 1/6W, Carbon Film	3198 011 01020
2878	Cap, 1u, 20%, 50v, Electrolytic.	3198 025 51080	3459	Res, 15K, 5%, 1 1/3W, Metal Film	3198 012 21530
2879	Cap, 4n7, 10%, 50v, Ceramic.	3198 017 04720	3460	Res, 3K9, 5%, 1/6W, Carbon Film.	3198 011 03920
2880	Cap, 22n, 10%, 50v, Ceramic.	3198 017 02230	3463	Res, 33 ohm, 5%, 1/6W, Carbon Film	3198 011 03390
2883	Cap, 470u, 20%, 16v, Electrolytic.	3198 025 24710	3465	Res, 27K, 1%, 3/5W, Metal Film	2312 915 12703
2884	Cap, 2u2, 20%, 50v, Electrolytic	3198 025 52280	3468	Res, 220 ohm, 5%, 1/6W, Carbon Film.	3198 011 02210
2885	Cap, 220n, 10%, 50v, Polyester	3198 014 02240	3469	Res, 3K3, 5%, 1/6W, Carbon Film.	3198 011 03320
2886	Cap, 220n, +80/-20%, 25v, Ceramic.	3198 023 22240	3470	Res, 330K, 5%, 1/10W, Metallized Glas	3198 021 53340
2892	Cap, 4u7, +80/-20%, 10v, Ceramic	2020 552 96305	3471	Res, 3R3, 1%, 3/5W, Metal Film	2312 915 13308
2893	Cap, 4u7, +80/-20%, 10v, Ceramic	2020 552 96305	3472	Res, 3R3, 1%, 3/5W, Metal Film	2312 915 13308
2902	Cap, 220u, 20%, 50v, Electrolytic.	3198 026 52210	3473	Res, 3R3, 1%, 3/5W, Metal Film	2312 915 13308
2903	Cap, 1u, 20%, 50v, Electrolytic.	3198 025 51080	3474	Res, 2K2, 1%, 3/5W, Metal Film	2312 915 12202
2904	Cap, 470n, +80/-20%, 16v, Ceramic.	3198 017 24740	3475	Res, 2K2, 1%, 3/5W, Metal Film	2312 915 12202
2905	Cap, 1n, 10%, 50v, Ceramic	3198 017 01020	3477	Res, 150 ohm, 5%, 1/6W, Carbon Film.	3198 011 01510
2906	Cap, 470n, +80/-20%, 16v, Ceramic.	3198 017 24740	3478	Res, 150 ohm, 5%, 1/6W, Carbon Film.	3198 011 01510
2907	Cap, 1n, 10%, 50v, Ceramic	3198 017 01020	3479	Res, 2K7, 5%, 1/10W, Metallized Glass	3198 021 52720
2908	Cap, 10u, 20%, 50v, Electrolytic	3198 025 51090	3480	Res, 1R5, 5%, 1/4W, Carbon Film.	2120 101 74158
2910	Cap, 3n3, 10%, 50v, Ceramic.	3198 017 03320	3481	Res, 15K, 1%, 3/5W, Metal Film	2312 915 11503
2911	Cap, 3n3, 10%, 50v, Ceramic.	3198 017 03320	3482	Res, 12k, 1%, Metal Film	2312 915 11203
2950	Cap, 330p, 5%, 50v, Ceramic.	3198 016 03310	3484	Res, 3K9, 5%, 1/6W, Carbon Film.	3198 011 03920
3000	Res, 100 ohm, 5%, 1/6W, Carbon Film.	3198 011 01010	3486	Res, 33 ohm, 5%, 2 1/2W, Metal Film.	3198 012 33390
3001	Res, 100 ohm, 5%, 1/6W, Carbon Film.	3198 011 01010	3488	Res, 4R7, 5%, 1/2W, Metal Film	2306 207 03478
3002	Res, Zero ohm, Chip Jumper	3198 021 90020	3490	Res, 8K2, 5%, 1/6W, Carbon Film.	3198 011 08220
3003	Res, 1K5, 5%, 1/10W, Metallized Glass	3198 021 51520	3492	Res, 1k, 5%, Carbon.	3198 021 51020
3004	Res, 8K2, 5%, 1/10W, Metallized Glass	3198 021 58220	3493	Res, 6R8, 5%, 1/3W, Metal Film	2306 204 03688
3005	Res, 100 ohm, 5%, 1/6W, Carbon Film.	3198 011 01010	3494	Res, 4R7, 5%, 1/2W, Metal Film	2306 207 03478
3104	Res, Zero ohm, Chip Jumper	3198 021 90020	3495	Res, 22k, 5%, Carbon	3198 021 52230
3106	Res, Zero ohm, Chip Jumper	3198 021 90020	3496	Res, 100K, 5%, 1/10W, Metallized Glas	3198 021 51040
3136	Res, 100 ohm, 5%, 1/6W, Carbon Film.	3198 011 01010	3497	Res, 100K, 5%, 1/10W, Metallized Glas	3198 021 51040
3138	Res, 100 ohm, 5%, 1/6W, Carbon Film.	3198 011 01010	3498	Res, 12K, 5%, 1/10W, Metallized Glass	3198 021 51230
3151	Res, 680 ohm, 5%, 1/10W, Metallized G lass	3198 021 56810	3499	Res, 10k, 5%, Carbon	3198 021 51030
3152	Res, 680 ohm, 5%, 1/10W, Metallized G lass	3198 021 56810	S 3500	Res, 3M3, 5%, 1/2W, Metallized Glass	2322 242 13335
3153	Res, 680 ohm, 5%, 1/10W, Metallized G lass	3198 021 56810	S 3501	Res, 3M3, 5%, 1/2W, Metallized Glass	2322 242 13335
3200	Res, 390 ohm, 5%, 1/6W, Carbon Film.	3198 011 03910	3504	Res, 3 ohm, +30%/-20%, 144v, PTC, Car bon Film	2122 663 00019
3201	Res, 100 ohm, 5%, 1/6W, Carbon Film.	3198 011 01010	S 3506	Res, 1M5, 5%, 1/2W, Metallized Glass	2322 242 13155
3202	Res, 100 ohm, 5%, 1/6W, Carbon Film.	3198 011 01010	S 3507	Surge Protector, DSP-301N-A21F A.	2422 549 43073
3203	Res, 100 ohm, 5%, 1/6W, Carbon Film.	3198 011 01010	S 3508	Res, 220 ohm, 20%, 1/2W, Carbon Film	3198 013 02210
3204	Res, 22K, 5%, 1/6W, Carbon Film.	3198 011 02230	3510	Res, 4.7 ohm, 20%, 3W1, NTC, Carbon F ilm.	2122 612 00056
3206	Res, 33K, 5%, 1/10W, Metallized Glass	3198 021 53330	3519	Res, 270 ohm, 5%, 1/6W, Carbon Film.	3198 011 02710
3207	Res, 1K, 5%, 1/6W, Carbon Film	3198 011 01020	3520	Res, 1K2, 5%, 1/10W, Metallized Glass	3198 021 51220
3208	Res, 220 ohm, 5%, Carbon	3198 021 52210	3521	Res, 4R7, 5%, 1/6W, Carbon Film.	3198 011 04780
3209	Res, 68 ohm, 5%, 1/10W, Metallized GL ass.	3198 021 56890	3522	Res, 330K, 5%, 1/10W, Metallized Glas	3198 021 53340
3212	Res, 470 ohm, 5%, 1/10W, Metallized G lass	3198 021 54710	S 3523	Res, 100 ohm, 5%, 1/3W, Metal Film	2306 204 03101
3213	Res, 560 ohm, 5%, 1/6W, Carbon Film.	3198 011 05610	3524	Res, 56K, 5%, 1/10W, Metallized Glass	3198 021 55630
3217	Res, 330K, 5%, 1/10W, Metallized Glas	3198 021 53340	3525	Res, 1k, 5%, Carbon.	3198 021 51020
3218	Res, 82K, 5%, 1/10W, Metallized Glass	3198 021 58230	3526	Res, 0R1, 5%, 3/5W, Metal Film	3198 012 11070
3219	Res, 2K2, 5%, 1/10W, Metallized Glass	3198 021 52220	3527	Res, 0R33, 5%, 3/5W, Metal Film.	3198 012 13370
3220	Res, 100 ohm, 5%, 1/6W, Carbon Film.	3198 011 01010	3528	Res, Zero ohm, Chip Jumper	3198 021 90020
3221	Res, 560 ohm, 5%, 1/6W, Carbon Film.	3198 011 05610	3529	Res, 47K, 5%, 1/10W, Metallized Glass	3198 021 54730
3222	Res, 100 ohm, 5%, 1/6W, Carbon Film.	3198 011 01010	3530	Res, 10k, 5%, Carbon	3198 021 51030
3223	Res, 100 ohm, 5%, 1/10W, Metallized G lass	3198 021 51010	3531	Res, 4K7, 5%, 1/10W, Metallized Glas	3198 021 54720
3226	Res, 560 ohm, 5%, 1/10W, Metallized G lass	3198 021 55610	S 3532	Res, 2K2, 5%, 1/3W, Metal Film	2306 204 03222
3232	Res, 2K2, 5%, 1/10W, Metallized Glass	3198 021 52220	3541	Res, 470 ohm, 5%, 1/10W, Metallized G lass	3198 021 54710
3235	Res, 100 ohm, 5%, 1/6W, Carbon Film.	3198 011 01010	3542	Res, 1K5, 5%, 1/10W, Metallized Glass	3198 021 51520
3241	Res, 22k, 5%, Carbon	3198 021 52230	3544	Res, 4K7, 1%, 1/8W, Metallized Glass	2322 734 64702
3242	Res, 12K, 5%, 1/10W, Metallized Glass	3198 021 51230	3545	Res, 270K, 5%, 1/8W, Metallized Glass	2322 730 61274
3244	Res, 820 ohm, 5%, 1/6W, Carbon Film.	3198 011 08210	3548	Res, 15K, 5%, 1/10W, Metallized Glass	3198 021 51530
3245	Res, 39K, 1%, 1/8W, Metallized Glass	2322 734 63903	3558	Res, 330 ohm, 5%, 1W, Metal Film	3198 012 13310
3246	Res, 10k, 5%, Carbon	3198 021 51030	3560	Res, 47 ohm, 5%, 1/6W, Carbon Film	3198 011 04790
3247	Res, 680K, 5%, 1/10W, Metallized Glas	3198 021 56840	3561	Res, 100 ohm, 5%, 1/6W, Carbon Film.	3198 011 01010
3248	Res, 33K, 5%, 1/10W, Metallized Glass	3198 021 53330	3562	Res, 12K, 5%, 1/10W, Metallized Glass	3198 021 51230
3249	Res, 820 ohm, 5%, 1/6W, Carbon Film.	3198 011 08210	3563	Res, 5K6, 5%, 1/10W, Metallized Glass	3198 021 55620
3250	Res, 8K2, 5%, 1/6W, Carbon Film.	3198 011 08220	3564	Res, 0R1, 5%, 1 1/3W, Metal Film	3198 012 21070
3251	Res, 100 ohm, 5%, 1/6W, Carbon Film.	3198 011 01010	3567	Res, 3K3, 5%, 1/10W, Metallized Glas	3198 021 53320
3256	Res, 1k, 5%, Carbon.	3198 021 51020	3568	Res, 8K2, 5%, 1/10W, Metallized Glas	3198 021 58220
3257	Res, 10M, 5%, 1/10W, Metallized Glass	3198 021 51060	3580	Res, 47K, 5%, 1/10W, Metallized Glas	3198 021 54730
3258	Res, 100K, 5%, 1/10W, Metallized Glas	3198 021 51040	3594	Res, 330 ohm, 5%, 1/10W, Metallized G lass	3198 021 53310
3259	Res, 470K, 5%, 1/10W, Metallized Glas	3198 021 54740	3595	Res, 220K, 5%, 1/10W, Metallized Glas	3198 021 52240
3441	Res, 100 ohm, 5%, 1/10W, Metallized G lass	3198 021 51010	3596	Res, 220K, 5%, 1/10W, Metallized Glas	3198 021 52240
3442	Res, Zero ohm, Chip Jumper	3198 021 90020	3603	Res, 100 ohm, 5%, 1/6W, Carbon Film.	3198 011 01010
3443	Res, 1M, 5%, 1/10W, Metallized Glass	3198 021 51050	3604	Res, 100 ohm, 5%, 1/6W, Carbon Film.	3198 011 01010
3445	Res, 15K, 5%, 1/6W, Carbon Film.	3198 011 01530	3605	Res, 4K7, 5%, 1/10W, Metallized Glas	3198 021 54720
3446	Res, 5K6, 5%, 1/6W, Carbon Film.	3198 011 05620	3606	Res, 2K2, 5%, 1/6W, Carbon Film.	3198 011 02220
3447	Res, 180 ohm, 5%, 1/6W, Carbon Film.	3198 011 01810	3607	Res, 2K2, 5%, 1/6W, Carbon Film.	3198 011 02220
3448	Res, 820 ohm, 5%, 1/6W, Carbon Film.	3198 011 08210	3608	Res, 100 ohm, 5%, 1/6W, Carbon Film.	3198 011 01010
3449	Res, 68 ohm, 5%, 1/6W, Carbon Film	3198 011 06890	3609	Res, 1K, 5%, 1/6W, Carbon Film	3198 011 01020
3450	Res, 33 ohm, 5%, 1/6W, Carbon Film	3198 011 03390	3610	Res, 8K2, 5%, 1/6W, Carbon Film.	3198 011 08220
S 3451	Res, 10 ohm, 5%, 1/3W, Metal Film.	2306 204 03109	3611	Res, 100 ohm, 5%, 1/10W, Metallized G lass	3198 021 51010
			3618	Res, 6K8, 5%, 1/6W, Carbon Film.	3198 011 06820
			3622	Res, 100 ohm, 5%, 1/10W, Metallized G lass	3198 021 51010

S = Safety Part Be sure to use exact replacement part.

PC0125C321 (continued)

3623	Res, 4K7, 5%, 1/10W, Metallized Glass	3198 021 54720	5461	Transformer, Signal Driver, SC10015-0		
3624	Res, 100 ohm, 5%, 1/6W, Carbon Film.	3198 011 01010		0 B.	2422 531 02465	
3625	Res, 100 ohm, 5%, 1/6W, Carbon Film.	3198 011 01010	5471	Coil, 3u3.	3198 018 73380	
3626	Res, 4K7, 5%, 1/10W, Metallized Glass	3198 021 54720	5472	Coil, 3u3.	3198 018 23380	
3627	Res, 4K7, 5%, 1/10W, Metallized Glass	3198 021 54720	5480	Coil, 33u.	2422 535 97335	
3628	Res, 10k, 5%, Carbon	3198 021 51030	S 5501	Filter, Mains, 5mH, 2A	2422 549 43432	
3630	Res, 2K2, 5%, 1/10W, Metallized Glass	3198 021 52220	S 5520	Transformer, SMT Layer, SS39009-04 B	2422 531 02459	
3632	Res, Zero ohm, Chip Jumper	3198 021 90020	5521	Fixed, Inductor, 100MHz, 50R.	3198 018 90010	
3636	Res, 100 ohm, 5%, 1/10W, Metallized Glass	3198 021 51010	5560	Fixed, Inductor, 100MHz, 50R.	3198 018 90010	
3639	Res, Zero ohm, Chip Jumper	3198 021 90020	5561	Coil, 27u.	3198 018 22790	
3681	Res, 390 ohm, 5%, 1/10W, Metallized Glass	3198 021 53910	5562	Fixed, Inductor, 100MHz, 80 ohm.	3198 018 90020	
3682	Res, 3K3, 5%, 1/10W, Metallized Glass	3198 021 53320	5564	Fixed, Inductor, 100MHz, 50R.	3198 018 90010	
3683	Res, 390 ohm, 5%, 1/10W, Metallized Glass	3198 021 53910	5602	Coil, 5u6.	3198 018 15680	
3684	Res, 560 ohm, 5%, 1/10W, Metallized Glass	3198 021 55610	5603	Coil, 5u6.	3198 018 15680	
3685	Res, 560 ohm, 5%, 1/10W, Metallized Glass	3198 021 55610	5604	Coil, 5u6.	3198 018 15680	
3686	Res, 1K5, 5%, 1/10W, Metallized Glass	3198 021 51520	5861	Coil, 10u.	3198 018 11090	
3691	Res, 330 ohm, 5%, 1/10W, Metallized Glass	3198 021 53310	6001	Zener Diode, 33 volt	3198 010 23390	
3693	Res, 220 ohm, 5%, Carbon	3198 021 52210	6201	Diode, Signal, BAS316.	3198 010 10630	
3801	Res, 220 ohm, 5%, 1/6W, Carbon Film.	3198 011 02210	6202	Diode, Signal, BAS316.	3198 010 10630	
3802	Res, 1K, 5%, 1/6W, Carbon Film	3198 011 01020	6206	Zener Diode, 6.8 volt.	3198 020 56880	
3861	Res, 100K, 5%, 1/10W, Metallized Glass	3198 021 51040	6445	Zener Diode, 10 volt	3198 020 51090	
3862	Res, 15K, 5%, 1/10W, Metallized Glass	3198 021 51530	6447	Diode, Signal, 1N4148.	3198 010 10010	
3863	Res, 1K2, 5%, 1/10W, Metallized Glass	3198 021 51220	6448	Zener Diode, 6.2 volt.	9331 668 30133	
3864	Res, 100 ohm, 5%, 1/10W, Metallized Glass	3198 021 51010	6449	Diode, Signal, BAV99	3198 010 10620	
3865	Res, 100 ohm, 5%, 1/6W, Carbon Film.	3198 011 01010	6453	Zener Diode, 6.8 volt.	3198 020 56880	
3866	Res, 100 ohm, 5%, 1/6W, Carbon Film.	3198 011 01010	6460	Diode, Rect, BY228/24.	9340 559 50112	
3867	Res, 3K3, 5%, 1/10W, Metallized Glass	3198 021 53320	6461	Diode, Rect, RGP30J-L7004.	9338 617 60682	
3891	Res, 100 ohm, 5%, 1/10W, Metallized Glass	3198 021 51010	6462	Zener Diode, 8.2 volt.	3198 010 28280	
3893	Res, 270 ohm, 5%, 1/10W, Metallized Glass	3198 021 52710	6465	Diode, Signal, BAV21	3198 010 10070	
3894	Res, 100 ohm, 5%, 1/10W, Metallized Glass	3198 021 51010	6466	Diode, Signal, BAV21	3198 010 10070	
3896	Res, 270 ohm, 5%, 1/10W, Metallized Glass	3198 021 52710	6467	Diode, Signal, BAS316.	3198 010 10630	
3901	Res, 1k, 5%, Carbon.	3198 021 51020	6468	Diode, Signal, BAS316.	3198 010 10630	
3902	Res, 3K3, 5%, 1/10W, Metallized Glass	3198 021 53320	6469	Diode, Rect, BYD33J	9337 234 20133	
3903	Res, 3K3, 5%, 1/10W, Metallized Glass	3198 021 53320	6470	Diode, Signal, BAV99	3198 010 10620	
3904	Res, 10k, 5%, Carbon	3198 021 51030	6476	Zener Diode, 15 volt	3198 010 21590	
3905	Res, 3K3, 5%, 1/10W, Metallized Glass	3198 021 53320	6481	Zener Diode, 5.6 volt.	3198 010 25680	
3906	Res, 10k, 5%, Carbon	3198 021 51030	6482	Zener Diode, 9.1 volt.	9331 177 80133	
3907	Res, 8K2, 5%, 1/10W, Metallized Glass	3198 021 58220	6483	Zener Diode, 33 volt	3198 010 23390	
4001	Res, Zero ohm, Chip Jumper	3198 021 90020	6485	Diode, Rect, BYD33J	9337 234 20133	
4002	Res, Zero ohm, Chip Jumper	3198 021 90020	6486	Diode, Rect, EGP20DL-5100.	9322 164 42682	
4181	Res, Zero ohm, Chip Jumper	3198 021 90020	6487	Diode, Rect, BYD33D	9337 234 00133	
4214	Res, Zero ohm, Chip Jumper	3198 021 90020	6488	Diode, Rect, EGP20DL-5100.	9322 164 42682	
4216	Res, Zero ohm, Chip Jumper	3198 021 90020	6500	Diode, Bridge Rect, GBU4JL-7002.	9322 132 55667	
4217	Res, Zero ohm, Chip Jumper	3198 021 90020	6520	Diode, Rect, BYD33D	9337 234 00133	
4401	Res, Zero ohm, Chip Jumper	3198 021 90020	6523	Diode, Signal, 1N4148.	3198 010 10010	
4402	Res, Zero ohm, Chip Jumper	3198 021 90020	6524	Diode, Rect, 1N5062	3198 010 10120	
4430	Res, Zero ohm, Chip Jumper	3198 021 90020	6525	Diode, Rect, 1N5062	3198 010 10120	
4500	Res, Zero ohm, Chip Jumper	3198 021 90020	6526	Zener Diode, 22 volt	3198 020 52290	
4604	Res, 3K3, 5%, 1/10W, Metallized Glass	3198 021 53320	6540	Zener Diode, 6.2 volt.	9331 668 30133	
4613	Res, Zero ohm, Chip Jumper	3198 021 90020	6541	Zener Diode, 9.1 volt.	9322 150 08685	
4614	Res, Zero ohm, Chip Jumper	3198 021 90020	6560	Diode, Rect, BYV29X-500.	9340 555 59127	
4615	Res, Zero ohm, Chip Jumper	3198 021 90020	6561	Diode, Rect, SB340L-7010	9322 128 18682	
4617	Res, Zero ohm, Chip Jumper	3198 021 90020	6563	Diode, Signal, BAS316.	3198 010 10630	
4619	Res, Zero ohm, Chip Jumper	3198 021 90020	6565	Diode, Signal, BAV70	9331 849 10215	
4622	Res, Zero ohm, Chip Jumper	3198 021 90020	6580	Diode, Signal, BAS316.	3198 010 10630	
4623	Res, Zero ohm, Chip Jumper	3198 021 90020	6681	Diode Signal, IG BAT85	9336 247 60133	
4691	Res, Zero ohm, Chip Jumper	3198 021 90020	6691	LED, VS LTL-10224WCHR.	9322 050 99682	
4692	Res, Zero ohm, Chip Jumper	3198 021 90020	6692	IR, Receiver, TSOP1836UH3V	9322 127 54667	
4693	Res, Zero ohm, Chip Jumper	3198 021 90020	6901	Res, Zero ohm, Chip Jumper	3198 021 90020	
4696	Res, Zero ohm, Chip Jumper	3198 021 90020	6903	Diode, Rect, 1N5062	3198 010 10120	
4804	Res, Zero ohm, Chip Jumper	3198 021 90020	7200	IC, SM TDA9587H/N1/3/0485.	4835 310 57618	
4807	Res, Zero ohm, Chip Jumper	3198 021 90020	7201	Transistor, NPN, BC847B.	3198 010 42030	
4810	Res, Zero ohm, Chip Jumper	3198 021 90020	7204	Transistor, PNP, BC857B.	3198 010 42150	
4861	Res, Zero ohm, Chip Jumper	3198 021 90020	7205	Transistor, PNP, BC857B.	3198 010 42150	
4863	Res, Zero ohm, Chip Jumper	3198 021 90020	7441	Transistor, PNP, BC857B.	3198 010 42150	
4901	Res, Zero ohm, Chip Jumper	3198 021 90020	7443	Transistor, PNP, BC557B.	3198 020 40110	
4903	Res, Zero ohm, Chip Jumper	3198 021 90020	7450	Transistor, PNP, PDTA114ET	3198 010 44010	
4982	Res, Zero ohm, Chip Jumper	3198 021 90020	7460	Transistor, NPN, BU4508DX.	9340 550 92127	
5001	Coil, 27u.	3198 018 22790	7461	Transistor, NPN, BC337-25.	3198 020 43530	
5002	Coil, 820n	3198 018 18270	7462	Transistor, NPN, PDTA143ZT	9340 547 00215	
5201	Coil, 6u8.	3198 018 16880	7463	Transistor, PNP, BC327-25.	3198 020 43430	
5202	Coil, 10u.	3198 018 21090	7471	IC, TDA8359J/N2.	9352 701 64112	
5204	Fixed, Inductor, 100MHz, 80 ohm.	3198 018 90020	7480	Transistor, NPN, BD135	3198 020 41010	
5205	Fixed, Inductor, 100MHz, 80 ohm.	3198 018 90020	7482	Transistor, NPN, BD135	3198 020 41010	
5206	Wire Jumper, 0.58MM.	3198 036 90010	S 7515	Optical Coupler, TCET1104(G)	9322 175 72667	
5241	Coil, 10u.	3198 018 21090	7520	IC, TEA1507P/N1.	9352 673 56112	
5242	Coil, 10u.	3198 018 11090	7521	FET Power STP8NC50FP	9322 160 72687	
S 5445	Transformer, LOT, USLOT+U AT2078	3128 138 21401	7522	Transistor, NPN, BC847B(COL)	3198 010 42030	
5451	Coil, 33u.	3198 018 73390	7540	Transistor, NPN, BC547B(COL)	3198 020 40030	
5452	Fixed, Inductor, 100MHz, 80 ohm.	3198 018 90020	7560	IC, L78L33ACZ.	9322 134 92676	
5457	Linear Correction Coil	3128 138 53241	7561	Transistor, NPN, PDTA143ZT	9340 547 00215	
			7562	Transistor, PNP, BC857B(COL)	3198 010 42150	
			7564	Transistor, PNP, BC857B(COL)	3198 010 42150	
			7580	Transistor, PNP, BC857B(COL)	3198 010 42150	
			7602	IC, M24C16-WBN6.	9322 147 25682	
			7861	IC, SM TDA9853H/V1	9352 671 19557	
			7891	Transistor, NPN, BC847B(COL)	3198 010 42030	
			7892	Transistor, NPN, BC847B(COL)	3198 010 42030	
			9001	IC, AN7522N.	9322 158 65667	
			9101	Wire Jumper, 0.58MM.	3198 036 90010	
			9111	Wire Jumper, 0.58MM.	3198 036 90010	
			9112	Wire Jumper, 0.58MM.	3198 036 90010	

S = Safety Part Be sure to use exact replacement part.

PC0125C321 (continued)

2341	Cap, 3n3, 10%, 500v, Ceramic	3198 019 43320	6706	Zener Diode, 8.2 volt.	3198 020 58280
2342	Cap, 560p, 5%, 50v, Ceramic.	3198 016 05610	7700	Transistor, NPN, BC847B(COL)	3198 010 42030
2343	Cap, 3n3, 10%, 2000v, Ceramic.	2020 558 90529	7701	Transistor, NPN, BC847B(COL)	3198 010 42030
2344	Cap, 100n, +80/-20%, 25v, Ceramic.	3198 023 21040	7704	Transistor, PNP, BC857B(COL)	3198 010 42150
2345	Cap, 1n, 10%, 500v, Ceramic.	3198 019 41020	7705	Transistor, PNP, BC857B(COL)	3198 010 42150
3331	Res, 100 ohm, 5%, 1/6W, Carbon Film.	3198 011 01010	7706	Transistor, NPN, BC847B(COL)	3198 010 42030
3332	Res, 1K, 20%, 1/2W, Carbon Film.	3198 013 01020	7707	Transistor, NPN, BC847B(COL)	3198 010 42030
3333	Res, 100 ohm, 5%, 1/6W, Carbon Film.	3198 011 01010	7708	Transistor, NPN, BC847B(COL)	3198 010 42030
3334	Res, 1K, 20%, 1/2W, Carbon Film.	3198 013 01020	7715	Transistor, NPN, BC847B(COL)	3198 010 42030
3335	Res, 100 ohm, 5%, 1/6W, Carbon Film.	3198 011 01010	7716	Transistor, NPN, BC847B(COL)	3198 010 42030
3336	Res, 1K, 20%, 1/2W, Carbon Film.	3198 013 01020	9001	Jumper	3198 036 90010
S 3340	Res, 10 ohm, 5%, 1/2W, Metal Film.	2306 207 03109	9002	Jumper	3198 036 90010
S 3341	Res, 1 ohm, 5%, 1/3W, Metal Film	2306 204 03108	9003	Jumper	3198 036 90010
S 3342	Res, 1 ohm, 5%, 1/3W, Metal Film	2306 204 03108	9004	Jumper	3198 036 90010
3343	Res, 1K5, 20%, 1/2W, Carbon Film	3198 013 01520	9005	Jumper	3198 036 90010
3344	Res, 22 ohm, 5%, 1/6W, Carbon Film	3198 011 02290	9007	Jumper	3198 036 90010
3345	VDR DC 1MA/ 50V S MAX 115V A	2322 593 13507	9008	Jumper	3198 036 90010
3346	Res, 22 ohm, 5%, 1/6W, Carbon Film	3198 011 02290	9009	Jumper	3198 036 90010
3347	Res, Zero ohm, Chip Jumper	3198 021 90020	9010	Jumper	3198 036 90010
3350	Res, Zero ohm, Chip Jumper	3198 021 90020	9021	Jumper	3198 036 90010
3353	Res, Zero ohm, Chip Jumper	3198 021 90020	1259	9 Pin Connector, EH B.	2422 025 11243
5342	Coil, 22u.	2422 535 97333	1800	32 Pin Connector, 52613 R.	3135 010 03531
6331	Diode, Signal, BAV21	3198 010 10070	2703	Cap, 100u, 20%, 10v, Electrolytic.	3198 025 11010
6332	Diode, Signal, BAS316.	3198 010 10630			
6333	Diode, Signal, BAV21	3198 010 10070			
6335	Diode, Signal, BAV21	3198 010 10070			
7330	IC, TDA6107Q/N2.	9352 576 50112			
9311	Wire Jumper, 0.58MM.	3198 036 90010			
9341	Wire Jumper, 0.58MM.	3198 036 90010			
9342	Wire Jumper, 0.58MM.	3198 036 90010			
9343	Wire Jumper, 0.58MM.	3198 036 90010			

Card Interface Panel Parts - 313912729691

Card Interface Panel Parts - 31391272
9691

CBA	Card Interface Panel Assembly.	3139 127 29691
0217	4 Pin Connector, EH-A-YE B	2422 025 16385
0227	6 Pin Connector, EH BK B	2422 025 15849
0228	3 Pin Connector, EH-RD B	2422 025 16407
0240	7 Pin Connector, EH B.	2422 025 11244
0242	10 Pin Connector, EH B	2422 025 12484
0259	5 Pin Connector, EH BK B	2422 025 15848
2705	Cap, 22p, 5%, 50v, Ceramic	3198 016 02290
2706	Cap, 4n7, 10%, 50v, Ceramic.	3198 017 04720
2707	Cap, 4n7, 10%, 50v, Ceramic.	3198 017 04720
2709	Cap, 100n, 10%, 16v, Ceramic	3198 017 01040
2710	Cap, 100n, 10%, 16v, Ceramic	3198 017 01040
2711	Cap, 100p, 5%, 50v, Ceramic.	3198 016 01010
2712	Cap, 100p, 5%, 50v, Ceramic.	3198 016 01010
3703	Res, 75 ohm, 5%, 1/10W, Metallized Glass	3198 021 57590
3707	Res, 10K, 5%, 1/10W, Metallized Glass	3198 021 51030
3708	Res, 47K, 5%, 1/10W, Metallized Glass	3198 021 54730
3710	Res, 47K, 5%, 1/10W, Metallized Glass	3198 021 54730
3715	Res, 100 ohm, 5%, 1/10W, Metallized Glass	3198 021 51010
3716	Res, 10K, 5%, 1/10W, Metallized Glass	3198 021 51030
3717	Res, 10K, 5%, 1/10W, Metallized Glass	3198 021 51030
3718	Res, 10K, 5%, 1/10W, Metallized Glass	3198 021 51030
3719	Res, 4K7, 5%, 1/10W, Metallized Glass	3198 021 54720
3720	Res, 10K, 5%, 1/10W, Metallized Glass	3198 021 51030
3721	Res, 4K7, 5%, 1/10W, Metallized Glass	3198 021 54720
3722	Res, 10K, 5%, 1/10W, Metallized Glass	3198 021 51030
3723	Res, 33K, 5%, 1/10W, Metallized Glass	3198 021 53330
3724	Res, 33K, 5%, 1/10W, Metallized Glass	3198 021 53330
3725	Res, 68K, 5%, 1/10W, Metallized Glass	3198 021 56830
3726	Res, 10K, 5%, 1/10W, Metallized Glass	3198 021 51030
3727	Res, 4K7, 5%, 1/10W, Metallized Glass	3198 021 54720
3728	Res, 10K, 5%, 1/10W, Metallized Glass	3198 021 51030
3729	Res, 10K, 5%, 1/10W, Metallized Glass	3198 021 51030
3731	Res, 1K8, 5%, 1/10W, Metallized Glass	3198 021 51820
3733	Res, 47K, 5%, 1/10W, Metallized Glass	3198 021 54730
3734	Res, 47K, 5%, 1/10W, Metallized Glass	3198 021 54730
3735	Res, 75 ohm, 5%, 1/10W, Metallized Glass	3198 021 57590
3736	Res, 75 ohm, 5%, 1/10W, Metallized Glass	3198 021 57590
3740	Res, 220 ohm, 20%, 1/2W, Carbon Film	3198 013 02210
3741	Res, 1K, 5%, 1/10W, Metallized Glass	3198 021 51020
3742	Res, 4K7, 5%, 1/10W, Metallized Glass	3198 021 54720
3743	Res, 100 ohm, 5%, 1/10W, Metallized Glass	3198 021 51010
3744	Res, 100 ohm, 5%, 1/10W, Metallized Glass	3198 021 51010
4004	Res, Zero ohm, 'Chip' Jumper	3198 021 90020
4005	Res, Zero ohm, 'Chip' Jumper	3198 021 90020
4006	Res, Zero ohm, 'Chip' Jumper	3198 021 90020
4008	Res, Zero ohm, 'Chip' Jumper	3198 021 90020
4009	Res, Zero ohm, 'Chip' Jumper	3198 021 90020
4010	Res, Zero ohm, 'Chip' Jumper	3198 021 90020
6703	Zener Diode, 5.1 volt.	3198 010 25180
6704	Zener Diode, 8.2 volt.	3198 020 58280

S = Safety Part Be sure to use exact replacement part.

PC0127C321 - Manual no. 7629

Cabinet & Accessory Parts

	Cabinet & Accessory Parts			
S AC01	AC Cord	3135	128	70011
AC04	Cabinet Back, 27" Card	3135	124	00141
AC06	Card Door	3135	014	05211
AC08	Clip, AC Cord	3135	014	09331
AC09	Clip, Anode Lead	3135	014	04471
S AC10	CRT, A68AJB82X11	9301	891	90631
AC11	Customer Control Buttons	3139	124	30901
S AC12	Degaussing Coil	2422	549	43967
AC13	Holder, Degaussing Coil (4 Used)	3135	013	01641
AC14	Housing, Smart Port	3135	124	00121
AC16	Owner's Manual	3135	015	16031
AC20	Cabinet Front Assembly f/PC0127C321	3121	237	52391
AC20a	Cabinet Front	3135	127	50011
AC20b	Chassis Guide	3139	124	41711
AC20b	Chassis Guide	3139	124	31381
AC20d	Light Guide	3139	124	26461
AC20f	Power Button	3139	124	26444
AC20i	Bracket, Power Button	3135	121	20061
AC20j	Speaker, Full Range, 16ohm, 1.5W (2 U sed)	2422	264	00343
S AC21	Deflection Yoke	3313	203	01242

Main Chassis Assembly Parts

	Main Chassis Assembly Parts			
0040	3 Pin Cinch Cover	3139	124	25551
0127	Socket Fuse	2422	088	00271
S 0211	Connector, 2 Pin	2422	025	16269
S 0212	Connector, 2 Pin	2422	025	16375
0213	Connector, 2 Pin	2422	025	16374
0217	Connector, 6 Pin	2422	025	12482
0218	Connector, 3 Pin	2422	026	04742
0220	Connector, 5 Pin	2422	025	04853
S 0221	Connector, 4 Pin	2422	025	15503
S 0222	Connector, 2 Pin	2422	025	10646
0227	Connector, 6 Pin	2422	025	15849
0229	Connector, 3 Pin	2412	020	00725
0240	Connector, 7 Pin	2422	025	11244
0242	Connector, 7 Pin	2422	025	17042
0243	Connector, 6 Pin	2422	025	04854
0246	Connector, 5 Pin	2422	025	12481
0251	Connector, 3 Pin	2412	020	00725
0259	Connector, 5 Pin	2422	025	15848
0267	Connector, 3 Pin	2412	020	00725
1000	Tuner, V+U PLL	2422	542	90113
1002	SAW Filter, 45MHZ75, OFWM1971M L	2422	549	44518
1200	Filter, Ceramic, 4MHZ5	2422	549	40807
S 1500	Fuse, 4A, 250V, IEC	2422	086	10914
S 1515	Relay, 1P, 12V	2422	132	07444
1600	Tact Switch	2422	128	02742
1601	Tact Switch	2422	128	02742
1602	Tact Switch	2422	128	02742
1603	Tact Switch	2422	128	02742
1606	Tact Switch	2422	128	02742
1660	Crystal Resonator, 12 MHz, 20P, HC49/ U A	2422	543	01203
1861	Ceramic Resonator, 514.5 KHz, CSB503F 58 B	2422	540	98344
2004	Cap, 47n, 10%, 16v, Ceramic	3198	017	34730
2005	Cap, 10u, 20%, 50v, Electrolytic	3198	025	51090
2006	Cap, 470u, 20%, 16v, Electrolytic	3198	025	24710
2007	Cap, 100n, +80/-20%, 25v, Ceramic	3198	023	41040
2008	Cap, 100u, 20%, 25v, Electrolytic	3198	025	31010
2009	Cap, 22n, 10%, 25v, Ceramic	3198	017	32230
2105	Cap, 470p, 10%, 50v, Ceramic	3198	019	14710
2106	Cap, 470p, 10%, 50v, Ceramic	3198	019	14710
2135	Cap, 22p, 5%, 50v, Ceramic	3198	016	02290
2136	Cap, 22p, 5%, 50v, Ceramic	3198	016	02290
2181	Cap, 22p, 5%, 50v, Ceramic	3198	016	02290
2182	Cap, 330p, 10%, 50v, Ceramic	3198	017	33310
2183	Cap, 330p, 10%, 50v, Ceramic	3198	017	33310
2184	Res, Zero ohm, Chip Jumper	3198	021	90020
2202	Cap, 100n, +80/-20%, 25v, Ceramic	3198	023	21040
2203	Cap, 100n, +80/-20%, 25v, Ceramic	3198	023	41040
2204	Cap, 100n, +80/-20%, 25v, Ceramic	3198	023	41040
2205	Cap, 220n, +80/-20%, 25v, Ceramic	3198	023	22240
2208	Cap, 100n, +80/-20%, 25v, Ceramic	3198	023	41040
2209	Cap, 4u7, 20%, 50v, Electrolytic	3198	025	54780
2210	Cap, 1u, +80/-20%, 16v, Ceramic	3198	017	21050
2211	Cap, 470n, +80/-20%, 16v, Ceramic	3198	017	24740
2213	Cap, 22n, 10%, 50v, Ceramic	3198	017	02230
2214	Cap, 22n, 10%, 50v, Ceramic	3198	017	02230
2215	Cap, 22n, 10%, 50v, Ceramic	3198	017	02230
2216	Cap, 1000u, 20%, 16v, Electrolytic	3198	026	21020
2217	Cap, 22n, 10%, 25v, Ceramic	3198	017	32230
2219	Cap, 220n, +80/-20%, 25v, Ceramic	3198	023	22240
2220	Cap, 470n, 10%, 50v, Polyester	3198	014	04740
2221	Cap, 22n, +80/-20%, 50v, Ceramic	3198	017	22230
2226	Cap, 100p, 5%, 50v, Ceramic	3198	016	01010
2227	Cap, 4n7, 10%, 50v, Ceramic	3198	017	34720
2228	Cap, 820p, 5%, 25v, Ceramic	3198	016	38210

2229	Cap, 10u, 20%, 50v, Electrolytic	3198	025	51090
2241	Cap, 1n5, 10%, 50v, Ceramic	3198	017	31520
2242	Cap, 1u, +80/-20%, 10v, Ceramic	3198	017	41050
2243	Cap, 2n2, 10%, 50v, Ceramic	3198	017	02220
2244	Cap, 100n, 5%, 63v, Metallized Polyes ter	2222	370	76104
2245	Cap, 220n, +80/-20%, 16v, Ceramic	3198	023	22240
2247	Cap, 1000u, 20%, 16v, Electrolytic	3198	026	21020
2248	Cap, 22n, 10%, 50v, Ceramic	3198	017	02230
2249	Cap, 22n, 10%, 25v, Ceramic	3198	017	32230
2250	Cap, 2u2, 20%, 50v, Electrolytic	3198	025	52280
2252	Cap, 1n, 5%, 25v, Ceramic	3198	016	31020
2253	Cap, 1n, 5%, 25v, Ceramic	3198	016	31020
2254	Res, Zero ohm, Chip Jumper	3198	021	90020
2405	Cap, 220u, 20%, 25v, Electrolytic	3198	025	32210
2441	Cap, 1u, 20%, 50v, Electrolytic	3198	025	51080
2443	Cap, 47n, +80/-20%, 50v, Ceramic	3198	017	24730
2444	Cap, 1u, 20%, 50v, Electrolytic	3198	025	51080
2450	Cap, 47u, 20%, 160v, Electrolytic	2020	021	91139
2451	Cap, 15n, 10%, 50v, Polyester	3198	014	01530
2452	Cap, 180p, 5%, 50v, Ceramic	3198	016	01810
2455	Cap, 47u, 20%, 25v, Electrolytic	3198	025	34790
2457	Cap, 470n, 5%, 250v, Polypropylene	2222	479	90023
2458	Cap, 2u2, 20%, 100v, Electrolytic	2020	021	91331
2459	Cap, 680p, 10%, 500v, Ceramic	3198	019	46810
2460	Cap, 100p, 5%, 50v, Ceramic	3198	016	01010
2462	Cap, 330n, 10%, 250v, Polypropylene	2022	333	00084
2463	Cap, 680p, 10%, 2kV, Ceramic	2020	558	90485
2463	Cap, 1.2nF, 10%, 2kV, Ceramic	2020	558	90488
2465	Cap, 11n, 5%, 1600v, Polypropylene	2222	375	90155
2471	Cap, 100n, 10%, 50v, Polyester	3198	014	01040
2472	Cap, 150n, 10%, 63v, Metallized Polye ster	2222	365	75154
2473	Cap, 100n, 10%, 63v, Metallized Polye ster	2222	365	75104
2474	Cap, 2n2, 10%, 50v, Ceramic	3198	017	02220
2475	Cap, 2n2, 10%, 50v, Ceramic	3198	017	02220
2476	Cap, 4n7, 10%, 50v, Ceramic	3198	017	04720
2480	Cap, 47u, 20%, 25v, Electrolytic	2020	021	90586
2481	Cap, 470p, 10%, 500v, Ceramic	3198	019	44710
2482	Cap, 68n, 10%, 250v, Polyester	2222	347	90234
2485	Cap, 4u7, 20%, 250v, Electrolytic	2020	021	90856
2486	Cap, 470u, 20%, 16v, Electrolytic	2020	021	91577
2487	Cap, 47u, 20%, 50v, Electrolytic	2020	021	90854
2488	Cap, 1000u, 20%, 16v, Electrolytic	2020	021	91049
2489	Cap, 470u, 20%, 16v, Electrolytic	2020	021	91577
2491	Cap, 1n, 10%, 500v, Ceramic	3198	019	41020
S 2500	Cap, 470n, 20%, 275v, Metallized Poly propylene	2222	336	29148
2501	Cap, 2n2, 10%, 1000v, Ceramic	3198	019	52220
2502	Cap, 2n2, 10%, 1000v, Ceramic	3198	019	52220
2503	Cap, 470u, 20%, 200v, Electrolytic	2020	024	90626
2505	Cap, 2n2, 10%, 1000v, Ceramic	3198	019	52220
2507	Cap, 470p, 10%, 50v, Ceramic	3198	017	04710
2508	Cap, 470p, 10%, 1000v, Ceramic	3198	019	64710
S 2515	Cap, 1n5, 20%, v, Ceramic	2020	554	90128
2520	Cap, 100n, 10%, 16v, Ceramic	3198	017	01040
2521	Cap, 22u, 20%, 50v, Electrolytic	3198	025	52290
2522	Cap, 100n, 10%, 16v, Ceramic	3198	017	01040
2523	Cap, 1n5, 10%, 2000v, Ceramic	2020	558	90489
2525	Cap, 470p, 10%, 50v, Ceramic	3198	017	04710
2527	Cap, 2n2, 10%, 50v, Ceramic	3198	017	02220
2528	Cap, 1n, 10%, 50v, Ceramic	3198	017	01020
2540	Cap, 10n, 10%, 50v, Ceramic	3198	017	01030
2560	Cap, 680p, 10%, 1000v, Ceramic	2020	558	90472
2561	Cap, 100u, 20%, 160v, Electrolytic	2020	021	91654
2562	Cap, 1n, 10%, 50v, Ceramic	3198	019	11020
2563	Cap, 100n, 10%, 50v, Polyester	3198	014	01040
2564	Cap, 2u2, 20%, 25v, Electrolytic	2020	021	91353
2566	Cap, 470u, 20%, 6.3v, Electrolytic	3198	025	04710
2567	Cap, 47u, 20%, 25v, Electrolytic	3198	025	34790
2580	Cap, 47u, 20%, 16v, Electrolytic	3198	028	24790
2581	Cap, 22u, 20%, 50v, Electrolytic	3198	025	52290
2601	Cap, 220n, +80/-20%, 25v, Ceramic	3198	023	22240
2602	Cap, 100p, 5%, 50v, Ceramic	3198	016	01010
2606	Cap, 1n, 10%, 50v, Ceramic	3198	017	01020
2607	Cap, 33p, 5%, 50v, Ceramic	3198	016	33390
2608	Cap, 1u, +80/-20%, 10v, Ceramic	3198	017	41050
2609	Cap, 33p, 5%, 50v, Ceramic	3198	016	33390
2611	Cap, 1u, +80/-20%, 10v, Ceramic	3198	017	41050
2612	Cap, 68p, 5%, 50v, Ceramic	3198	016	06890
2613	Cap, 68p, 5%, 50v, Ceramic	3198	016	06890
2615	Cap, 1n, 10%, 50v, Ceramic	3198	017	01020
2616	Cap, 470n, +80/-20%, 16v, Ceramic	3198	017	24740
2618	Cap, 1u, +80/-20%, 10v, Ceramic	3198	017	41050
2619	Cap, 1u, +80/-20%, 16v, Ceramic	3198		

PC0127C321 (continued)

2806	Cap, 2u2, +80/-20%, 10v, Ceramic . .	3198 017 22250	3250	Res, 8K2, 5%, 1/6W, Carbon Film. . .	3198 011 08220
2861	Cap, 220n, +80/-20%, 16v, Ceramic. .	3198 017 42240	3251	Res, 100 ohm, 5%, 1/6W, Carbon Film.	3198 011 01010
2862	Cap, 2u2, +80/-20%, 10v, Ceramic . .	3198 017 22250	3256	Res, 1k, 5%, Carbon.	3198 021 51020
2864	Cap, 2u2, 20%, 50v, Electrolytic . .	3198 025 52280	3257	Res, 10M, 5%, 1/10W, Metallized Glass	3198 021 51060
2865	Cap, 2u2, 20%, 50v, Electrolytic . .	3198 025 52280	3258	Res, 100K, 5%, 1/10W, Metallized Glas	3198 021 51040
2866	Cap, 2u2, +80/-20%, 10v, Ceramic . .	3198 017 22250	3259	Res, 470K, 5%, 1/10W, Metallized Glas	3198 021 54740
2867	Cap, 3n3, 10%, 50v, Ceramic.	3198 017 03320	3441	Res, 100 ohm, 5%, 1/10W, Metallized G lass	3198 021 51010
2868	Cap, 150p, 5%, 50v, Ceramic.	3198 016 31510	3442	Res, Zero ohm, Chip Jumper	3198 021 90020
2869	Cap, 47n, 10%, 50v, Polyester.	3198 014 04730	3443	Res, 1M, 5%, 1/10W, Metallized Glass	3198 021 51050
2870	Cap, 47n, 10%, 50v, Polyester.	3198 014 04730	3445	Res, 15K, 5%, 1/6W, Carbon Film. . .	3198 011 01530
2871	Cap, 150p, 5%, 50v, Ceramic.	3198 016 31510	3446	Res, 5K6, 5%, 1/6W, Carbon Film. . .	3198 011 05620
2872	Cap, 3n3, 10%, 50v, Ceramic.	3198 017 03320	3447	Res, 180 ohm, 5%, 1/6W, Carbon Film.	3198 011 01810
2873	Cap, 2u2, +80/-20%, 10v, Ceramic . .	3198 017 22250	3448	Res, 820 ohm, 5%, 1/6W, Carbon Film.	3198 011 08210
2874	Cap, 100u, 20%, 25v, Electrolytic. . .	3198 025 31010	3449	Res, 68 ohm, 5%, 1/6W, Carbon Film .	3198 011 06890
2875	Cap, 100u, 20%, 25v, Electrolytic. . .	3198 025 31010	3450	Res, 33 ohm, 5%, 1/6W, Carbon Film .	3198 011 03390
2876	Cap, 4u7, 20%, 50v, Electrolytic . .	3198 025 54780	S 3451	Res, 10 ohm, 5%, 1/3W, Metal Film. . .	2306 204 03109
2877	Cap, 10u, 20%, 50v, Electrolytic . .	3198 025 51090	3452	Res, 10K, 1%, 3/5W, Metal Film . . .	2312 915 11003
2878	Cap, 1u, 20%, 50v, Electrolytic. . . .	3198 025 51080	3453	Res, 1K, 5%, 1/6W, Carbon Film . . .	3198 011 01020
2879	Cap, 4n7, 10%, 50v, Ceramic.	3198 017 34720	3454	Res, 3K9, 1%, 3/5W, Metal Film . . .	2312 915 13902
2880	Cap, 22n, 10%, 25v, Ceramic.	3198 017 32230	3455	Res, 6R8, 5%, 1 1/3W, Metal Film . .	3198 012 26880
2883	Cap, 470u, 20%, 16v, Electrolytic. . .	3198 025 24710	3456	Res, Zero ohm, Chip Jumper	3198 021 90020
2884	Cap, 2u2, 20%, 50v, Electrolytic . .	3198 025 52280	3457	Res, Zero ohm, Chip Jumper	3198 021 90020
2885	Cap, 220n, 10%, 50v, Polyester	3198 014 02240	3458	Res, 1K, 5%, 1/6W, Carbon Film . . .	3198 011 01020
2886	Cap, 220n, +80/-20%, 16v, Ceramic. .	3198 017 42240	3459	Res, 15K, 5%, 1 1/3W, Metal Film . .	3198 012 21530
2892	Cap, 4u7, +80/-20%, 10v, Ceramic . .	2020 552 96305	3460	Res, 3K9, 5%, 1/6W, Carbon Film. . .	3198 011 03920
2893	Cap, 4u7, +80/-20%, 10v, Ceramic . .	2020 552 96305	3463	Res, 33 ohm, 5%, 1/6W, Carbon Film .	3198 011 03390
2902	Cap, 220u, 20%, 50v, Electrolytic. . .	3198 026 52210	3465	Res, 27K, 1%, 3/5W, Metal Film . . .	2312 915 12703
2903	Cap, 1u, 20%, 50v, Electrolytic. . . .	3198 025 51080	3468	Res, 220 ohm, 5%, 1/6W, Carbon Film.	3198 011 02210
2904	Cap, 470n, +80/-20%, 16v, Ceramic. .	3198 017 24740	3469	Res, 3K3, 5%, 1/6W, Carbon Film. . .	3198 011 03320
2905	Cap, 1n, 10%, 50v, Ceramic.	3198 017 01020	3470	Res, 330K, 5%, 1/10W, Metallized Glas	3198 021 53340
2906	Cap, 470n, +80/-20%, 16v, Ceramic. .	3198 017 24740	3471	Res, 3R3, 1%, 3/5W, Metal Film . . .	2312 915 13308
2907	Cap, 1n, 10%, 50v, Ceramic.	3198 017 01020	3472	Res, 3R3, 1%, 3/5W, Metal Film . . .	2312 915 13308
2908	Cap, 10u, 20%, 50v, Electrolytic . .	3198 025 51090	3473	Res, 3R3, 1%, 3/5W, Metal Film . . .	2312 915 13308
2910	Cap, 3n3, 10%, 50v, Ceramic.	3198 017 03320	3474	Res, 2K2, 1%, 3/5W, Metal Film . . .	2312 915 12202
2911	Cap, 3n3, 10%, 50v, Ceramic.	3198 017 03320	3475	Res, 2K2, 1%, 3/5W, Metal Film . . .	2312 915 12202
2950	Cap, 330p, 5%, 50v, Ceramic.	3198 016 33310	3477	Res, 150 ohm, 5%, 1/6W, Carbon Film.	3198 011 01510
3000	Res, 100 ohm, 5%, 1/6W, Carbon Film.	3198 011 01010	3478	Res, 150 ohm, 5%, 1/6W, Carbon Film.	3198 011 01510
3001	Res, 100 ohm, 5%, 1/6W, Carbon Film.	3198 011 01010	3479	Res, 2K7, 5%, 1/10W, Metallized Glass	3198 021 52720
3002	Res, Zero ohm, Chip Jumper	3198 021 90020	3480	Res, 1R5, 5%, 1/4W, Carbon Film. . .	2120 101 74158
3003	Res, 1K5, 5%, 1/16W, Metallized Glass	3198 021 31520	3481	Res, 12k, 1%, Metal Film	2312 915 11203
3004	Res, 8K2, 5%, 1/16W, Metallized Glass	3198 021 38220	3482	Res, 12k, 1%, Metal Film	2312 915 11203
3005	Res, 100 ohm, 5%, 1/6W, Carbon Film.	3198 011 01010	3484	Res, 3K9, 5%, 1/6W, Carbon Film. . .	3198 011 03920
3104	Res, Zero ohm, Chip Jumper	3198 021 90020	3486	Res, 33 ohm, 5%, 2 1/2W, Metal Film.	3198 012 33390
3106	Res, Zero ohm, Chip Jumper	3198 021 90020	3488	Res, 4R7, 5%, 1/2W, Metal Film . . .	2306 207 03478
3136	Res, 100 ohm, 5%, 1/6W, Carbon Film.	3198 011 01010	3490	Res, 8K2, 5%, 1/6W, Carbon Film. . .	3198 011 08220
3138	Res, 100 ohm, 5%, 1/6W, Carbon Film.	3198 011 01010	3492	Res, 1k, 5%, Carbon.	3198 021 51020
3151	Res, 680 ohm, 5%, 1/16W, Metallized G lass	3198 021 36810	3493	Res, 6R8, 5%, 1/3W, Metal Film . . .	2306 204 03688
3152	Res, 680 ohm, 5%, 1/16W, Metallized G lass	3198 021 36810	3494	Res, 4R7, 5%, 1/2W, Metal Film . . .	2306 207 03478
3153	Res, 680 ohm, 5%, 1/16W, Metallized G lass	3198 021 36810	3495	Res, 22k, 5%, Carbon	3198 021 52230
3181	Res, 75 ohm, 5%, 1/6W, Carbon Film .	3198 011 07590	3496	Res, 100K, 5%, 1/10W, Metallized Glas	3198 021 51040
3182	Res, 100 ohm, 5%, 1/6W, Carbon Film.	3198 011 01010	3497	Res, 100K, 5%, 1/10W, Metallized Glas	3198 021 51040
3183	Res, 150 ohm, 5%, 1/6W, Carbon Film.	3198 011 01510	3498	Res, 12K, 5%, 1/10W, Metallized Glass	3198 021 51230
3184	Res, 47K, 5%, 1/16W, Metallized Glass	3198 021 34730	3499	Res, 10k, 5%, Carbon	3198 021 51030
3185	Res, 150 ohm, 5%, 1/6W, Carbon Film.	3198 011 01510	S 3500	Res, 3M3, 5%, 1/2W, Metallized Glass	2322 242 13335
3186	Res, 47K, 5%, 1/16W, Metallized Glass	3198 021 34730	S 3501	Res, 3M3, 5%, 1/2W, Metallized Glass	2322 242 13335
3200	Res, 390 ohm, 5%, 1/6W, Carbon Film.	3198 011 03910	3504	Res, 3 ohm, +30%/-20%, 144v, PTC, Car bon Film	2122 663 00019
3201	Res, 100 ohm, 5%, 1/6W, Carbon Film.	3198 011 01010	S 3506	Res, 1M5, 5%, 1/2W, Metallized Glass	2322 242 13155
3202	Res, 100 ohm, 5%, 1/6W, Carbon Film.	3198 011 01010	S 3507	Surge Protector, DSP-301N-A21F A. .	2422 549 43073
3203	Res, 100 ohm, 5%, 1/6W, Carbon Film.	3198 011 01010	S 3508	Res, 220 ohm, 20%, 1/2W, Carbon Film	3198 013 02210
3204	Res, 100 ohm, 5%, 1/6W, Carbon Film.	3198 011 01010	3510	Res, 4.7 ohm, 20%, 3W1, NTC, Carbon F ilm.	2122 612 00056
3204	Res, 22K, 5%, 1/6W, Carbon Film. . .	3198 011 02230	3519	Res, 270 ohm, 5%, 1/6W, Carbon Film.	3198 011 02710
3206	Res, 33K, 5%, 1/16W, Metallized Glass	3198 021 33330	3520	Res, 1K2, 5%, 1/10W, Metallized Glass	3198 021 51220
3207	Res, 1K, 5%, 1/6W, Carbon Film . . .	3198 011 01020	3521	Res, 4R7, 5%, 1/6W, Carbon Film. . .	3198 011 04780
3208	Res, 220 ohm, 5%, 1/16W, Metallized G lass	3198 021 32210	3522	Res, 330K, 5%, 1/10W, Metallized Glas	3198 021 53340
3209	Res, 68 ohm, 5%, 1/16W, Metallized Gl ass.	3198 021 36890	S 3523	Res, 100 ohm, 5%, 1/3W, Metal Film .	2306 204 03101
3212	Res, 470 ohm, 5%, 1/16W, Metallized G lass	3198 021 34710	3524	Res, 56K, 5%, 1/10W, Metallized Glass	3198 021 55630
3213	Res, 560 ohm, 5%, 1/6W, Carbon Film.	3198 011 05610	3525	Res, 1k, 5%, Carbon.	3198 021 51020
3217	Res, 330K, 5%, 1/16W, Metallized Glas	3198 021 33340	3526	Res, 0R1, 5%, 3/5W, Metal Film . . .	3198 012 11070
3218	Res, 82K, 5%, 1/16W, Metallized Glass	3198 021 38230	3527	Res, 0R33, 5%, 3/5W, Metal Film. . .	3198 012 13370
3219	Res, 2K2, 5%, 1/16W, Metallized Glass	3198 021 32220	3528	Res, Zero ohm, Chip Jumper	3198 021 90020
3220	Res, 100 ohm, 5%, 1/6W, Carbon Film.	3198 011 01010	3529	Res, 47K, 5%, 1/10W, Metallized Glass	3198 021 54730
3221	Res, 560 ohm, 5%, 1/6W, Carbon Film.	3198 011 05610	3530	Res, 10k, 5%, Carbon	3198 021 51030
3222	Res, 100 ohm, 5%, 1/6W, Carbon Film.	3198 011 01010	3531	Res, 4K7, 5%, 1/10W, Metallized Glass	3198 021 54720
3223	Res, 100 ohm, 5%, 1/10W, Metallized G lass	3198 021 51010	S 3532	Res, 2K2, 5%, 1/3W, Metal Film . . .	2306 204 03222
3226	Res, 560 ohm, 5%, 1/16W, Metallized G lass	3198 021 35610	3541	Res, 470 ohm, 5%, 1/10W, Metallized G lass	3198 021 54710
3232	Res, 2K2, 5%, 1/16W, Metallized Glass	3198 021 32220	3542	Res, 1K5, 5%, 1/10W, Metallized Glass	3198 021 51520
3235	Res, 100 ohm, 5%, 1/6W, Carbon Film.	3198 011 01010	3543	Res, 82K, 1%, 3/5W, Metal Film . . .	2312 915 18203
3241	Res, 22K, 5%, 1/16W, Metallized Glass	3198 021 32230	3544	Res, 4K7, 1%, 1/10W, Metallized Glass	2120 108 92624
3242	Res, 12K, 5%, 1/10W, Metallized Glass	3198 021 51230	3545	Res, 270K, 5%, 1/8W, Metallized Glass	2322 730 61274
3244	Res, 820 ohm, 5%, 1/6W, Carbon Film.	3198 011 08210	3548	Res, 15K, 5%, 1/10W, Metallized Glass	3198 021 51530
3245	Res, 39K, 1%, 1/10W, Metallized Glass	2120 108 92633	3558	Res, 330 ohm, 5%, 1W, Metal Film . .	3198 012 13310
3246	Res, 10k, 5%, Carbon	3198 021 51030	3560	Res, 47 ohm, 5%, 1/6W, Carbon Film .	3198 011 04790
3247	Res, 680K, 5%, 1/10W, Metallized Glas	3198 021 56840	3561	Res, 100 ohm, 5%, 1/6W, Carbon Film.	3198 011 01010
3248	Res, 33K, 5%, 1/10W, Metallized Glass	3198 021 53330	3562	Res, 12K, 5%, 1/10W, Metallized Glass	3198 021 51230
3249	Res, 820 ohm, 5%, 1/6W, Carbon Film.	3198 011 08210	3563	Res, 5K6, 5%, 1/10W, Metallized Glass	3198 021 55620
			3564	Res, 0R1, 5%, 1 1/3W, Metal Film . .	3198 012 21070
			3567	Res, 3K3, 5%, 1/16W, Metallized Glass	3198 021 33320
			3568	Res, 8K2, 5%, 1/10W, Metallized Glass	3198 021 58220

S = Safety Part Be sure to use exact replacement part.

PC0127C321 (continued)

3580	Res, 47K, 5%, 1/10W, Metallized Glass	3198	021	54730	4863	Res, Zero ohm, Chip Jumper	3198	021	90020
3594	Res, 330 ohm, 5%, 1/10W, Metallized Glass				4901	Res, Zero ohm, Chip Jumper	3198	021	90020
					4903	Res, Zero ohm, Chip Jumper	3198	021	90020
3595	Res, 220K, 5%, 1/10W, Metallized Glass	3198	021	52240	4982	Res, Zero ohm, Chip Jumper	3198	021	90020
3596	Res, 220K, 5%, 1/10W, Metallized Glass	3198	021	52240	5001	Coil, 27u.	3198	018	22790
3603	Res, 100 ohm, 5%, 1/6W, Carbon Film.	3198	011	01010	5002	Coil, 820n	3198	018	18270
3604	Res, 100 ohm, 5%, 1/6W, Carbon Film.	3198	011	01010	5201	Coil, 6u8.	3198	018	16880
3605	Res, 4K7, 5%, 1/16W, Metallized Glass	3198	021	34720	5202	Coil, 10u.	3198	018	21090
3606	Res, 2K2, 5%, 1/6W, Carbon Film.	3198	011	02220	5204	Fixed, Inductor, 100MHz, 80 ohm.	3198	018	90020
3607	Res, 2K2, 5%, 1/6W, Carbon Film.	3198	011	02220	5205	Fixed, Inductor, 100MHz, 80 ohm.	3198	018	90020
3608	Res, 100 ohm, 5%, 1/6W, Carbon Film.	3198	011	01010	5206	Wire Jumper, 0.58MM.	3198	036	90010
3609	Res, 1K, 5%, 1/6W, Carbon Film.	3198	011	01020	5241	Coil, 10u.	3198	018	21090
3610	Res, 8K2, 5%, 1/6W, Carbon Film.	3198	011	08220	5242	Coil, 10u.	3198	018	11090
3611	Res, 100 ohm, 5%, 1/16W, Metallized Glass				S 5445	Transformer, LOT, USLOT+U AT2078	3128	138	21401
					5451	Coil, 33u.	3198	018	73390
3618	Res, 6K8, 5%, 1/6W, Carbon Film.	3198	011	06820	5452	Fixed, Inductor, 100MHz, 80 ohm.	3198	018	90020
3622	Res, 100 ohm, 5%, 1/10W, Metallized Glass				5457	Coil, Linear Correction, 42u	2422	535	94865
					5461	Transformer, Signal Driver, SC10015-0			
3623	Res, 4K7, 5%, 1/16W, Metallized Glass	3198	021	34720		0 B.	2422	531	02465
3624	Res, 100 ohm, 5%, 1/6W, Carbon Film.	3198	011	01010	5471	Coil, 3u3.	3198	018	73380
3625	Res, 100 ohm, 5%, 1/6W, Carbon Film.	3198	011	01010	5472	Coil, 3u3.	3198	018	23380
3626	Res, 4K7, 5%, 1/16W, Metallized Glass	3198	021	34720	5480	Fixed Inductor, 39u, 10%, LAL04.	2422	535	97336
3627	Res, 4K7, 5%, 1/16W, Metallized Glass	3198	021	34720	S 5501	Filter, Mains, 5mH, 2A	2422	549	43432
3628	Res, 10K, 5%, 1/16W, Metallized Glass	3198	021	31030	S 5520	Transformer, SMT Layer, SS39009-04 B	2422	531	02459
3630	Res, 2K2, 5%, 1/16W, Metallized Glass	3198	021	32220	5521	Fixed, Inductor, 100MHz, 50R.	3198	018	90010
3632	Res, Zero ohm, Chip Jumper	3198	021	90020	5560	Fixed, Inductor, 100MHz, 50R.	3198	018	90010
3636	Res, 100 ohm, 5%, 1/10W, Metallized Glass				5561	Coil, 27u.	3198	018	22790
					5562	Fixed, Inductor, 100MHz, 80 ohm.	3198	018	90020
3639	Res, Zero ohm, Chip Jumper	3198	021	90020	5564	Fixed, Inductor, 100MHz, 50R.	3198	018	90010
3681	Res, 390 ohm, 5%, 1/16W, Metallized Glass				5602	Coil, 5u6.	3198	018	15680
					5603	Coil, 5u6.	3198	018	15680
3682	Res, 3K3, 5%, 1/16W, Metallized Glass	3198	021	33320	5604	Coil, 5u6.	3198	018	15680
3683	Res, 390 ohm, 5%, 1/16W, Metallized Glass				5861	Coil, 10u.	3198	018	11090
					6001	Zener Diode, 33 volt	3198	010	23390
3684	Res, 560 ohm, 5%, 1/16W, Metallized Glass				6201	Diode, Signal, BAS316.	3198	010	10630
					6202	Diode, Signal, BAS316.	3198	010	10630
3685	Res, 560 ohm, 5%, 1/16W, Metallized Glass				6206	Zener Diode, 6.8 volt.	3198	020	56880
					6445	Zener Diode, 10 volt	3198	020	51090
3686	Res, 1K5, 5%, 1/16W, Metallized Glass	3198	021	31520	6447	Diode, Signal, 1N4148.	3198	010	10010
3691	Res, 330 ohm, 5%, 1/16W, Metallized Glass				6448	Zener Diode, 6.2 volt.	9331	668	30133
					6449	Diode, Signal, BAV99	3198	010	10620
3693	Res, 220 ohm, 5%, 1/16W, Metallized Glass				6453	Zener Diode, 6.8 volt.	3198	020	56880
					6460	Diode, Rect, BY228/24.	9340	559	50112
3801	Res, 220 ohm, 5%, 1/6W, Carbon Film.	3198	011	02210	6461	Diode, Rect, RGP30J-L7004.	9338	617	60682
3802	Res, 1K, 5%, 1/6W, Carbon Film.	3198	011	01020	6462	Zener Diode, 9.1 volt.	9331	177	80133
3861	Res, 100K, 5%, 1/16W, Metallized Glass	3198	021	31040	6465	Diode, Signal, BAV21	3198	010	10070
3862	Res, 15K, 5%, 1/16W, Metallized Glass	3198	021	31530	6466	Diode, Signal, BAV21	3198	010	10070
3863	Res, 1K2, 5%, 1/16W, Metallized Glass	3198	021	31220	6467	Diode, Signal, BAS316.	3198	010	10630
3864	Res, 100 ohm, 5%, 1/16W, Metallized Glass				6468	Diode, Signal, BAS316.	3198	010	10630
					6469	Diode, Rect, BYD33J	9337	234	20133
3865	Res, 100 ohm, 5%, 1/6W, Carbon Film.	3198	011	01010	6470	Diode, Signal, BAV99	3198	010	10620
3866	Res, 100 ohm, 5%, 1/6W, Carbon Film.	3198	011	01010	6476	Zener Diode, 15 volt	3198	010	21590
3867	Res, 3K3, 5%, 1/16W, Metallized Glass	3198	021	33320	6481	Zener Diode, 5.6 volt.	3198	010	25680
3891	Res, 100 ohm, 5%, 1/16W, Metallized Glass				6482	Zener Diode, 9.1 volt.	9331	177	80133
					6483	Zener Diode, 33 volt	3198	010	23390
3893	Res, 270 ohm, 5%, 1/16W, Metallized Glass				6485	Diode, Rect, BYD33J	9337	234	20133
					6486	Diode, Rect, EGP20DL-5100.	9322	164	42682
3894	Res, 100 ohm, 5%, 1/16W, Metallized Glass				6487	Diode, Rect, BYD33D	9337	234	00133
					6488	Diode, Rect, EGP20DL-5100.	9322	164	42682
3896	Res, 270 ohm, 5%, 1/16W, Metallized Glass				6500	Diode, Bridge Rect, GBU4JL-7002.	9322	132	55667
					6520	Diode, Rect, BYD33D	9337	234	00133
3901	Res, 1K, 5%, 1/16W, Metallized Glass	3198	021	31020	6523	Diode, Signal, 1N4148.	3198	010	10010
3902	Res, 3K3, 5%, 1/16W, Metallized Glass	3198	021	33320	6524	Diode, Rect, 1N5062	3198	010	10120
3903	Res, 3K3, 5%, 1/16W, Metallized Glass	3198	021	33320	6525	Diode, Rect, 1N5062	3198	010	10120
3904	Res, 10K, 5%, 1/16W, Metallized Glass	3198	021	31030	6526	Zener Diode, 22 volt	3198	020	52290
3905	Res, 3K3, 5%, 1/16W, Metallized Glass	3198	021	33320	6540	Zener Diode, 6.2 volt.	9331	668	30133
3906	Res, 10K, 5%, 1/16W, Metallized Glass	3198	021	31030	6541	Zener Diode, 9.1 volt.	9322	150	08685
3907	Res, 8K2, 5%, 1/16W, Metallized Glass	3198	021	38220	6560	Diode, Rect, BYV29X-500.	9340	555	59127
4001	Res, Zero ohm, Chip Jumper	3198	021	90020	6561	Diode, Rect, SB340L-7010	9322	128	18682
4002	Res, Zero ohm, Chip Jumper	3198	021	90020	6563	Diode, Signal, BAS316.	3198	010	10630
4181	Res, Zero ohm, Chip Jumper	3198	021	90020	6565	Diode, Signal, BAV70	9331	849	10215
4214	Res, Zero ohm, Chip Jumper	3198	021	90020	6580	Diode, Signal, BAS316.	3198	010	10630
4216	Res, Zero ohm, Chip Jumper	3198	021	90020	6681	Diode Signal, IG BAT85	9336	247	60133
4217	Res, Zero ohm, Chip Jumper	3198	021	90020	6691	LED, VS LTL-10224WHCR.	9322	050	99682
4401	Res, Zero ohm, Chip Jumper	3198	021	90020	6692	IR, Receiver, TSOP1836UH3V	9322	127	54667
4402	Res, Zero ohm, Chip Jumper	3198	021	90020	6901	Res, Zero ohm, Chip Jumper	3198	021	90020
4430	Res, Zero ohm, Chip Jumper	3198	021	90020	6903	Diode, Rect, 1N5062	3198	010	10120
4500	Res, Zero ohm, Chip Jumper	3198	021	90020	7200	IC, SM TDA9587H/N1/3/0485.	4835	310	57618
4604	Res, 3K3, 5%, 1/10W, Metallized Glass	3198	021	53320	7201	Transistor, NPN, BC847B.	3198	010	42030
4613	Res, Zero ohm, Chip Jumper	3198	021	90020	7204	Transistor, PNP, BC857B.	3198	010	42150
4614	Res, Zero ohm, Chip Jumper	3198	021	90020	7205	Transistor, PNP, BC857B.	3198	010	42150
4615	Res, Zero ohm, Chip Jumper	3198	021	90020	7441	Transistor, PNP, BC857B.	3198	010	42150
4617	Res, Zero ohm, Chip Jumper	3198	021	90020	7443	Transistor, PNP, BC557B.	3198	020	40110
4619	Res, Zero ohm, Chip Jumper	3198	021	90020	7450	Transistor, PNP, PDTA114ET	3198	010	44010
4622	Res, Zero ohm, Chip Jumper	3198	021	90020	7460	Transistor, NPN, BU4508DX.	9340	550	92127
4623	Res, Zero ohm, Chip Jumper	3198	021	90020	7461	Transistor, NPN, BC337-25.	3198	020	43530
4691	Res, Zero ohm, Chip Jumper	3198	021	90020	7462	Transistor, NPN, PDTCL143ZT	9340	547	00215
4692	Res, Zero ohm, Chip Jumper	3198	021	90020	7463	Transistor, PNP, BC327-25.	3198	020	43430
4693	Res, Zero ohm, Chip Jumper	3198	021	90020	7471	IC, TDA8359J/N2.	9352	701	64112
4696	Res, Zero ohm, Chip Jumper	3198	021	90020	7480	Transistor, NPN, BD135	3198	020	41010
4811	Res, Zero ohm, Chip Jumper	3198	021	90020	7482	Transistor, NPN, BD135	3198	020	41010
4861	Res, Zero ohm, Chip Jumper	3198	021	90020	S 7515	Optical Coupler, TCET1104(G)	9322	175	72667

S = Safety Part. Be sure to use exact replacement part.

PC0127C321 (continued)

9920	Wire Jumper, 0.58MM.	3198	036	90010	3735	Res, 75 ohm, 5%, 1/10W, Metallized Gl
9921	Wire Jumper, 0.58MM.	3198	036	90010		ass. 3198 021 57590
9922	Wire Jumper, 0.58MM.	3198	036	90010	3736	Res, 75 ohm, 5%, 1/10W, Metallized Gl
9991	Wire Jumper, 0.58MM.	3198	036	90010		ass. 3198 021 57590
9993	Wire Jumper, 0.58MM.	3198	036	90010	3740	Res, 220 ohm, 20%, 1/2W, Carbon Film
9994	Wire Jumper, 0.58MM.	3198	036	90010	3741	Res, 1K, 5%, 1/10W, Metallized Glass
9996	Wire Jumper, 0.58MM.	3198	036	90010	3742	Res, 4K7, 5%, 1/10W, Metallized Glass
9997	Wire Jumper, 0.58MM.	3198	036	90010	3743	Res, 100 ohm, 5%, 1/10W, Metallized G
9998	Wire Jumper, 0.58MM.	3198	036	90010		lass 3198 021 51010
CBA	Main Chassis Assembly.	3139	177	28141	3744	Res, 100 ohm, 5%, 1/10W, Metallized G

CRT Panel Parts (Part of Main Chassis)

	CRT Panel Parts (Part of Main Chassis)				4004	Res, Zero ohm, 'Chip' Jumper
0244	Connector, 5 Pin	2422	025	04853	4005	Res, Zero ohm, 'Chip' Jumper
0245	Connector, 6 Pin	2422	025	04854	4006	Res, Zero ohm, 'Chip' Jumper
S 0254	CRT Socket, 9 Pin.	2422	500	80076	4008	Res, Zero ohm, 'Chip' Jumper
2330	Cap, 100n, 10%, 250v, Metallized Poly				4009	Res, Zero ohm, 'Chip' Jumper
	ester.	2222	368	90177	4010	Res, Zero ohm, 'Chip' Jumper
2340	Cap, 10u, 20%, 250v, Electrolytic.	2020	012	93495	6703	Zener Diode, 5.1 volt.
2341	Cap, 3n3, 10%, 500v, Ceramic.	3198	019	43320	6704	Zener Diode, 8.2 volt.
2342	Cap, 560p, 5%, 50v, Ceramic.	3198	016	05610	6706	Zener Diode, 8.2 volt.
2343	Cap, 3n3, 10%, 2000v, Ceramic.	2020	558	90529	7700	Transistor, NPN, BC847B(COL)
2344	Cap, 100n, +80/-20%, 25v, Ceramic.	3198	023	21040	7701	Transistor, NPN, BC847B(COL)
2345	Cap, 1n, 10%, 500v, Ceramic.	3198	019	41020	7704	Transistor, PNP, BC857B(COL)
3331	Res, 100 ohm, 5%, 1/6W, Carbon Film.	3198	011	01010	7705	Transistor, PNP, BC857B(COL)
3332	Res, 1K, 20%, 1/2W, Carbon Film.	3198	013	01020	7706	Transistor, NPN, BC847B(COL)
3333	Res, 100 ohm, 5%, 1/6W, Carbon Film.	3198	011	01010	7707	Transistor, NPN, BC847B(COL)
3334	Res, 1K, 20%, 1/2W, Carbon Film.	3198	013	01020	7708	Transistor, NPN, BC847B(COL)
3335	Res, 100 ohm, 5%, 1/6W, Carbon Film.	3198	011	01010	7715	Transistor, NPN, BC847B(COL)
3336	Res, 1K, 20%, 1/2W, Carbon Film.	3198	013	01020	7716	Transistor, NPN, BC847B(COL)
S 3340	Res, 10 ohm, 5%, 1/2W, Metal Film.	2306	207	03109	9001	Jumper
S 3341	Res, 1 ohm, 5%, 1/3W, Metal Film.	2306	204	03108	9002	Jumper
S 3342	Res, 1 ohm, 5%, 1/3W, Metal Film.	2306	204	03108	9003	Jumper
3343	Res, 1K5, 20%, 1/2W, Carbon Film.	3198	013	01520	9004	Jumper
3344	Res, 22 ohm, 5%, 1/6W, Carbon Film.	3198	011	02290	9005	Jumper
3345	VDR DC 1MA/ 50V S MAX 115V A	2322	593	13507	9007	Jumper
3346	Res, 22 ohm, 5%, 1/6W, Carbon Film.	3198	011	02290	9008	Jumper
3347	Res, Zero ohm, Chip Jumper	3198	021	90020	9009	Jumper
3350	Res, Zero ohm, Chip Jumper	3198	021	90020	9010	Jumper
3353	Res, Zero ohm, Chip Jumper	3198	021	90020	9021	Jumper
5342	Coil, 22u.	2422	535	97333	1259	9 Pin Connector, EH B.
6331	Diode, Signal, BAV21	3198	010	10070	1800	32 Pin Connector, 52613 R.
6332	Diode, Signal, BAS316.	3198	010	10630	2703	Cap, 100u, 20%, 10v, Electrolytic.
6333	Diode, Signal, BAV21	3198	010	10070		
6335	Diode, Signal, BAV21	3198	010	10070		
7330	IC, TDA6107Q/N2.	9352	576	50112		
9311	Wire Jumper, 0.58MM.	3198	036	90010		
9341	Wire Jumper, 0.58MM.	3198	036	90010		
9342	Wire Jumper, 0.58MM.	3198	036	90010		
9343	Wire Jumper, 0.58MM.	3198	036	90010		

Card Interface Panel Parts - 313912729691

	Card Interface Panel Parts - 31391272					
	9691					
CBA	Card Interface Panel Assembly.	3139	127	29691		
0217	4 Pin Connector, EH-A-YE B	2422	025	16385		
0227	6 Pin Connector, EH BK B	2422	025	15849		
0228	3 Pin Connector, EH-RD B	2422	025	16407		
0240	7 Pin Connector, EH B.	2422	025	11244		
0242	10 Pin Connector, EH B	2422	025	12484		
0259	5 Pin Connector, EH BK B	2422	025	15848		
2705	Cap, 22p, 5%, 50v, Ceramic.	3198	016	02290		
2706	Cap, 4n7, 10%, 50v, Ceramic.	3198	017	04720		
2707	Cap, 4n7, 10%, 50v, Ceramic.	3198	017	04720		
2709	Cap, 100n, 10%, 16v, Ceramic.	3198	017	01040		
2710	Cap, 100n, 10%, 16v, Ceramic.	3198	017	01040		
2711	Cap, 100p, 5%, 50v, Ceramic.	3198	016	01010		
2712	Cap, 100p, 5%, 50v, Ceramic.	3198	016	01010		
3703	Res, 75 ohm, 5%, 1/10W, Metallized Gl					
	ass.	3198	021	57590		
3707	Res, 10K, 5%, 1/10W, Metallized Glass	3198	021	51030		
3708	Res, 47K, 5%, 1/10W, Metallized Glass	3198	021	54730		
3710	Res, 47K, 5%, 1/10W, Metallized Glass	3198	021	54730		
3715	Res, 100 ohm, 5%, 1/10W, Metallized G					
	lass	3198	021	51010		
3716	Res, 10K, 5%, 1/10W, Metallized Glass	3198	021	51030		
3717	Res, 10K, 5%, 1/10W, Metallized Glass	3198	021	51030		
3718	Res, 10K, 5%, 1/10W, Metallized Glass	3198	021	51030		
3719	Res, 4K7, 5%, 1/10W, Metallized Glass	3198	021	54720		
3720	Res, 10K, 5%, 1/10W, Metallized Glass	3198	021	51030		
3721	Res, 4K7, 5%, 1/10W, Metallized Glass	3198	021	54720		
3722	Res, 10K, 5%, 1/10W, Metallized Glass	3198	021	51030		
3723	Res, 33K, 5%, 1/10W, Metallized Glass	3198	021	53330		
3724	Res, 33K, 5%, 1/10W, Metallized Glass	3198	021	53330		
3725	Res, 68K, 5%, 1/10W, Metallized Glass	3198	021	56830		
3726	Res, 10K, 5%, 1/10W, Metallized Glass	3198	021	51030		
3727	Res, 4K7, 5%, 1/10W, Metallized Glass	3198	021	54720		
3728	Res, 10K, 5%, 1/10W, Metallized Glass	3198	021	51030		
3729	Res, 10K, 5%, 1/10W, Metallized Glass	3198	021	51030		
3731	Res, 1K8, 5%, 1/10W, Metallized Glass	3198	021	51820		
3733	Res, 47K, 5%, 1/10W, Metallized Glass	3198	021	54730		
3734	Res, 47K, 5%, 1/10W, Metallized Glass	3198	021	54730		

S = Safety Part Be sure to use exact replacement part.

PCW227C321 - Manual no. 7629

Cabinet & Accessory Parts

Cabinet & Accessory Parts

Main Chassis Assembly Parts

7200 IC, SM TDA9563H/N1/3/0485. 4835 310 57624

Cabinet & Accessory Parts

CBA	EPS(1B). Module, (ITV)	3139	137	22961
S AC01	Mains Cord	3135	010	07161
AC04	Cabinet, Back	3139	124	41721
AC09	Clip, Anode Lead (3 Used) Not Shown)	3135	014	04471
S AC10	CRT A68AJB82X11.	9301	891	90631
AC11	Customer Control Panel	3139	124	27351
AC12	Coil, Degaussing	2422	549	43967
AC13	Holder, Degaussing (4 Used).	3135	013	01641
AC16	Owner's Manual	3135	125	20861
AC20	Cabinet, Front Assembly - Model PCW22			
	7C321.	3121	237	52941
AC20A	Cabinet, Front	3135	017	07161
AC20B	Chassis Guide.	3139	124	31381
AC20D	Light Guide.	3139	124	26461
AC20E	Nameplate.	3135	015	03571
AC20F	Power Button	3139	124	26444
AC20J	Speaker, 16R, 5W (2 Used).	2422	264	00401
AC22	Spring	3139	121	26231
AC23	Braid, Assembly.	3135	010	07311
AC24	Bracket, EPS Module, (ITV) (Not Shown)	3119	107	17241
AC25	Bracket, System (Not Shown).	3139	124	37932
AC27	Bracket, Power Button (Not Shown). .	3135	121	20061
AC28	Card, Door (Not Shown)	3139	124	30571
CBA	Front Jack Panel, (ITV)	3139	127	29711
CBA	SP/LS (VERT). Module-ITV	3139	127	27372

Main Chassis Assembly Parts

	Main Chassis Assembly Parts			
1000	Tuner, V+U PLL	2422	542	90108
7200	IC, SM TDA9588H/N1/3/0485.	4835	310	57625
0118	U-Cooling Plate.	3139	121	26731
0122	Heatsink	3139	121	62263
0123	Heatsink, Audio.	3139	121	62501
0124	Heatsink, SOPS	3139	121	62201
0127	Socket, Fuse	2422	088	00271
0129	NTC, Holder.	3139	120	10151
0136	IC-Spring.	3104	301	22081
0137	Spring	3139	121	24581
0138	IC-Spring.	3104	301	22081
0139	Spring for Bracket	3122	121	24786
0141	IC-Spring.	3104	301	22081
0152	Cable, DIP, 6 Pin, 400mm	3104	301	09421
0153	Cable, DIPMate, 5 Pin, 480mm	3139	121	07951
0211	Connector, 2 Pin	2422	025	16269
S 0212	Connector, 2 Pin	2422	025	16375
0213	Connector, 2 Pin	2422	025	16374
0217	Connector, 6 Pin	2422	025	12482
0219	Connector, 6 Pin	2422	025	12482
S 0220	Connector, 5 Pin	2422	025	04853
S 0221	Connector, 4 Pin	2422	025	15503
S 0222	Connector, 2 Pin	2422	025	10646
0223	Socket, Cinch, 6 Pin	2422	026	05184
0225	Socket, MDIN, 10 Pin	2422	026	04926
0227	Connector, 6 Pin	2422	025	15849
0229	Connector, 3 Pin	2412	020	00725
0240	Connector, 7 Pin	2422	025	11244
0242	Connector, 7 Pin	2422	025	17042
S 0243	Connector, 6 Pin	2422	025	04854
0246	Connector, 5 Pin	2422	025	12481
0251	Connector, 3 Pin	2412	020	00725
0259	Connector, 5 Pin	2422	025	15848
0262	Connector, 3 Pin	2422	025	16937
0267	Connector, 3 Pin	2412	020	00725
1002	SAW Filter, 45MHz75, OFWMM1971M .	2422	549	44518
1200	Filter, Ceramic, 4MHz5	2422	549	40807
S 1500	Fuse, 4A, 250V, IEC.	2422	086	10869
S 1515	Relay, 12V, 5A G5PA-1.	2422	132	07444
1600	Switch, Tactile.	2422	128	02742
1601	Switch, Tactile.	2422	128	02742
1602	Switch, Tactile.	2422	128	02742
1603	Switch, Tactile.	2422	128	02742
1606	Switch, Tactile.	2422	128	02742
1660	Crystal, 12MHz000.	2422	543	01203
1831	Crystal, Resonator, 18MHz432, 12 Pin,			
	HC49/U A	2422	543	00842
2004	Cap, 47n, 10%, 25v, Ceramic.	3198	023	04730
2005	Cap, 10u, 20%, 50v, Electrolytic . . .	3198	025	51090
2006	Cap, 470u, 20%, 16v, Electrolytic. .	3198	025	24710
2007	Cap, 100n, +80/-20%, 25v, Ceramic. .	3198	023	21040
2008	Cap, 100u, 20%, 25v, Electrolytic. .	3198	025	31010
2009	Cap, 22n, 10%, 50v, Ceramic.	3198	017	02230
2101	Cap, 470n, +80/-20%, 16v, Ceramic. .	3198	017	24740
2102	Cap, 22p, 5%, 50v, Ceramic	3198	016	02290
2103	Cap, 330p, 10%, 50v, Ceramic	3198	017	03310
2104	Cap, 330p, 10%, 50v, Ceramic	3198	017	03310

S = Safety Part Be sure to use exact replacement part.

2105	Cap, 10u, 20%, 50v, Electrolytic . . .	3198	025	51090
2106	Cap, 10u, 20%, 50v, Electrolytic . . .	3198	025	51090
2122	Cap, 330p, 10%, 50v, Ceramic	3198	017	03310
2123	Cap, 2u2, +80/-20%, 10v, Ceramic . . .	3198	017	22250
2124	Cap, 330p, 10%, 50v, Ceramic	3198	017	03310
2125	Cap, 2u2, +80/-20%, 10v, Ceramic . . .	3198	017	22250
2135	Cap, 22p, 5%, 50v, Ceramic	3198	016	02290
2136	Cap, 22p, 5%, 50v, Ceramic	3198	016	02290
2184	Cap, 2u2, +80/-20%, 10v, Ceramic . . .	3198	017	22250
2202	Cap, 100n, +80/-20%, 25v, Ceramic. . .	3198	023	21040
2203	Cap, 100n, +80/-20%, 25v, Ceramic. . .	3198	023	21040
2204	Cap, 100n, +80/-20%, 25v, Ceramic. . .	3198	023	21040
2205	Cap, 220n, +80/-20%, 25v, Ceramic. . .	3198	023	22240
2208	Cap, 100n, +80/-20%, 25v, Ceramic. . .	3198	023	21040
2209	Cap, 4u7, 20%, 50v, Electrolytic . . .	3198	025	54780
2210	Cap, 1u, +80/-20%, 16v, Ceramic. . . .	3198	017	21050
2211	Cap, 470n, +80/-20%, 16v, Ceramic. . .	3198	017	24740
2213	Cap, 22n, 10%, 50v, Ceramic.	3198	017	02230
2214	Cap, 22n, 10%, 50v, Ceramic.	3198	017	02230
2215	Cap, 22n, 10%, 50v, Ceramic.	3198	017	02230
2216	Cap, 1000u, 20%, 16v, Electrolytic . . .	3198	026	21020
2217	Cap, 22n, 10%, 50v, Ceramic.	3198	017	02230
2219	Cap, 220n, +80/-20%, 25v, Ceramic. . .	3198	023	22240
2220	Cap, 470n, 10%, 50v, Polyester	3198	014	04740
2221	Cap, 22n, 10%, 50v, Ceramic.	3198	017	02230
2241	Cap, 1n5, 10%, 50v, Ceramic.	3198	017	01520
2242	Cap, 1u, +80/-20%, 16v, Ceramic. . . .	3198	017	21050
2243	Cap, 2n2, 10%, 50v, Ceramic.	3198	017	02220
2244	Cap, 100n, 5%, 63v, Metalized Polyester			
	er.	2222	370	76104
2245	Cap, 220n, +80/-20%, 25v, Ceramic. . .	3198	023	22240
2247	Cap, 1000u, 20%, 16v, Electrolytic . . .	3198	026	21020
2248	Cap, 22n, 10%, 50v, Ceramic.	3198	017	02230
2249	Cap, 22n, 10%, 50v, Ceramic.	3198	017	02230
2250	Cap, 2u2, 20%, 50v, Electrolytic	3198	025	52280
2252	Cap, 1n, 5%, 50v, Ceramic.	3198	016	01020
2253	Cap, 1n, 5%, 50v, Ceramic.	3198	016	01020
2254	Res, Zero ohm, "Chip" Jumper	3198	021	90020
2405	Cap, 220u, 20%, 25v, Electrolytic. . . .	3198	025	32210
2441	Cap, 1u, 20%, 50v, Electrolytic.	3198	025	51080
2443	Cap, 47n, +80/-20%, 50v, Ceramic	3198	017	24730
2444	Cap, 1u, 20%, 50v, Electrolytic.	3198	025	51080
2450	Cap, 47u, 20%, 160v, Electrolytic. . . .	2020	021	91139
2451	Cap, 15n, 10%, 50v, Polyester	3198	014	01530
2452	Res, Zero ohm, "Chip" Jumper	3198	021	90020
2455	Cap, 47u, 20%, 25v, Electrolytic	3198	025	34790
2457	Cap, 470n, 5%, 250v, Polypropylene . .	2222	479	90023
2458	Cap, 2u2, 20%, 100v, Electrolytic. . . .	2020	021	91331
2459	Cap, 680p, 10%, 500v, Ceramic.	3198	019	46810
2460	Cap, 100p, 5%, 50v, Ceramic.	3198	016	01010
2462	Cap, 330n, 10%, 250v, Polypropylene . .	2022	333	00084
2463	Cap, 680p, 10%, 2000v, Ceramic	2020	558	90485
2465	Cap, 11n, 5%, 1600v, Polypropylene . . .	2222	375	90155
2471	Cap, 100n, 10%, 50v, Polyester	3198	014	01040
2472	Cap, 150n, 10%, 63v, Polyester	2222	365	75154
2473	Cap, 100n, 10%, 63v, Polyester	2222	365	75104
2474	Cap, 2n2, 10%, 50v, Ceramic.	3198	017	02220
2475	Cap, 2n2, 10%, 50v, Ceramic.	3198	017	02220
2476	Cap, 4n7, 10%, 50v, Ceramic.	3198	017	04720
2480	Cap, 47u, 20%, 25v, Electrolytic	2020	021	90586
2481	Cap, 470p, 10%, 500v, Ceramic.	3198	019	44710
2482	Cap, 68n, 10%, 250v, Polyester	2222	347	90234
2485	Cap, 4u7, 20%, 250v, Electrolytic. . . .	2020	021	90856
2486	Cap, 470u, 20%, 16v, Electrolytic. . . .	2020	021	91577
2487	Cap, 47u, 20%, 50v, Electrolytic	2020	021	90854
2488	Cap, 1000u, 20%, 16v, Electrolytic . . .	2020	021	91049
2489	Cap, 470u, 20%, 16v, Electrolytic. . . .	2020	021	91577
2491	Cap, 1n, 10%, 500v, Ceramic.	3198	019	41020
2500	Cap, 470n, 20%, 275v, Polypropylene. .	2222	336	29148
2501	Cap, 2n2, 10%, 1000v, Ceramic.	3198	019	52220
2502	Cap, 2n2, 10%, 1000v, Ceramic.	3198	019	52220
2503	Cap, 470u, 20%, 200v, Electrolytic . . .	2020	024	90626
2505	Cap, 2n2, 10%, 1000v, Ceramic.	3198	019	52220
2507	Cap, 470p, 10%, 50v, Ceramic	3198	017	04710
2508	Cap, 470p, 10%, 1000v, Ceramic	3198	019	64710
S 2515	Cap, 1n5, 20%, v, Ceramic.	2020	554	90128
2520	Cap, 100n, 10%, 16v, Ceramic	3198	017	01040
2521	Cap, 22u, 20%, 50v, Electrolytic	3198	025	52290
2522	Cap, 100n, 10%, 16v, Ceramic	3198	017	01040
2523	Cap, 1n5, 10%, 2000v, Ceramic.	2020	558	90489
2525	Cap, 470p, 10%, 50v, Ceramic	3198	017	04710
2527	Cap, 2n2, 10%, 50v, Ceramic.	3198	017	02220
2528	Cap, 1n, 10%, 50v, Ceramic	3198	017	01020
2540	Cap, 10n, 10%, 50v, Ceramic.	3198	017	01030
2560	Cap, 680p, 10%, 1000v, Ceramic	3198	019	66810
2561	Cap, 100u, 20%, 160v, Electrolytic . . .	2020	021	91654
2562	Cap, 1n, 10%, 50v, Ceramic	3198	019	11020
2563	Cap, 100n, 10%, 50v, Polyester	3198	014	01040
2564	Cap, 2u2, 20%, 25v, Electrolytic	2020	021	91353
2567	Cap, 47u, 20%, 25v, Electrolytic	3198	025	34790
2580	Cap, 47u, 20%, 16v, Electrolytic	3198	028	24790
2581	Cap, 22u, 20%, 50v, Electrolytic	3198	025	52290

PCW227C321 (continued)

2601	Cap, 220n, +80/-20%, 25v, Ceramic.	3198 023 22240	3209	Res, 68 ohm, 5%, 1/10W, Metalized Gla	
2602	Cap, 100p, 5%, 50v, Ceramic.	3198 016 01010		ss.	3198 021 56890
2606	Cap, 1n, 10%, 50v, Ceramic.	3198 017 01020	3212	Res, 470 ohm, 5%, 1/10W, Metalized Gl	
2607	Cap, 33p, 5%, 50v, Ceramic.	3198 016 03390		ass.	3198 021 54710
2608	Cap, 1u, +80/-20%, 16v, Ceramic.	3198 017 21050	3213	Res, 560 ohm, 5%, 1/6W, Carbon Film.	3198 011 05610
2609	Cap, 33p, 5%, 50v, Ceramic.	3198 016 03390	3217	Res, 330K, 5%, 1/10W, Metalized Glass	3198 021 53340
2611	Cap, 1u, +80/-20%, 16v, Ceramic.	3198 017 21050	3218	Res, 82K, 5%, 1/10W, Metalized Glass	3198 021 58230
2612	Cap, 68p, 5%, 50v, Ceramic.	3198 016 06890	3219	Res, 2K2, 5%, 1/10W, Metalized Glass	3198 021 52220
2613	Cap, 68p, 5%, 50v, Ceramic.	3198 016 06890	3220	Res, 100 ohm, 5%, 1/6W, Carbon Film.	3198 011 01010
2615	Cap, 1n, 10%, 50v, Ceramic.	3198 017 01020	3221	Res, 560 ohm, 5%, 1/6W, Carbon Film.	3198 011 05610
2616	Cap, 470n, +80/-20%, 16v, Ceramic.	3198 017 24740	3222	Res, 100 ohm, 5%, 1/6W, Carbon Film.	3198 011 01010
2618	Cap, 1u, +80/-20%, 16v, Ceramic.	3198 017 21050	3223	Res, 100 ohm, 5%, 1/10W, Metalized Gl	
2619	Cap, 1u, +80/-20%, 16v, Ceramic.	3198 017 21050		ass.	3198 021 51010
2691	Cap, 220u, 20%, 25v, Electrolytic.	3198 025 32210	3226	Res, 560 ohm, 5%, 1/10W, Metalized Gl	
2801	Cap, 22u, 20%, 50v, Electrolytic.	3198 025 52290		ass.	3198 021 55610
2802	Cap, 220n, +80/-20%, 25v, Ceramic.	3198 023 22240	3235	Res, 100 ohm, 5%, 1/6W, Carbon Film.	3198 011 01010
2803	Cap, 2u2, +80/-20%, 10v, Ceramic.	3198 017 22250	3241	Res, 22K, 5%, 1/10W, Metalized Glass	3198 021 52230
2804	Cap, 2u2, +80/-20%, 10v, Ceramic.	3198 017 22250	3242	Res, 12K, 5%, 1/10W, Metalized Glass	3198 021 51230
2805	Res, Zero ohm, "Chip" Jumper	3198 021 90020	3244	Res, 820 ohm, 5%, 1/6W, Carbon Film.	3198 011 08210
2806	Res, Zero ohm, "Chip" Jumper	3198 021 90020	3245	Res, 39K, 1%, 1/8W, Metalized Glass.	2322 734 63903
2831	Cap, 1p, 25%, 50v, Ceramic.	3198 016 01080	3246	Res, 10K, 5%, 1/10W, Metalized Glass	3198 021 51030
2832	Cap, 1p, 25%, 50v, Ceramic.	3198 016 01080	3247	Res, 680K, 5%, 1/10W, Metalized Glass	3198 021 56840
2833	Cap, 47p, 5%, 50v, Ceramic.	3198 016 04790	3248	Res, 33K, 5%, 1/10W, Metalized Glass	3198 021 53330
2834	Cap, 470p, 5%, 50v, Ceramic.	3198 016 04710	3249	Res, 820 ohm, 5%, 1/6W, Carbon Film.	3198 011 08210
2835	Cap, 220p, 5%, 50v, Ceramic.	3198 016 02210	3250	Res, 8K2, 5%, 1/6W, Carbon Film. . .	3198 011 08220
2836	Cap, 1n5, 10%, 50v, Ceramic.	3198 017 01520	3251	Res, 100 ohm, 5%, 1/6W, Carbon Film.	3198 011 01010
2837	Cap, 4u7, 20%, 50v, Electrolytic.	3198 025 54780	3256	Res, 1K, 5%, 1/10W, Metalized Glass.	3198 021 51020
2840	Cap, 100n, +80/-20%, 25v, Ceramic.	3198 023 21040	3257	Res, 10M, 5%, 1/10W, Metalized Glass	3198 021 51060
2841	Cap, 10u, 20%, 50v, Electrolytic.	3198 025 51090	3258	Res, 100K, 5%, 1/10W, Metalized Glass	3198 021 51040
2842	Cap, 100n, +80/-20%, 25v, Ceramic.	3198 023 21040	3259	Res, 470K, 5%, 1/10W, Metalized Glass	3198 021 54740
2843	Cap, 10u, 20%, 50v, Electrolytic.	3198 025 51090	3441	Res, 100 ohm, 5%, 1/10W, Metalized Gl	
2844	Cap, 10u, 20%, 50v, Electrolytic.	3198 025 51090		ass.	3198 021 51010
2845	Cap, 100n, +80/-20%, 25v, Ceramic.	3198 023 21040	3442	Res, Zero ohm, "Chip" Jumper	3198 021 90020
2846	Cap, 100u, 20%, 25v, Electrolytic.	3198 025 31010	3443	Res, 1M, 5%, 1/10W, Metalized Glass.	3198 021 51050
2849	Cap, 1n, 5%, 50v, Ceramic.	3198 016 01020	3445	Res, 15K, 5%, 1/6W, Carbon Film. . .	3198 011 01530
2850	Cap, 1n, 5%, 50v, Ceramic.	3198 016 01020	3446	Res, 5K6, 5%, 1/6W, Carbon Film. . .	3198 011 05620
2851	Cap, 4u7, +80/-20%, 10v, Ceramic.	2020 552 96305	3447	Res, 180 ohm, 5%, 1/6W, Carbon Film.	3198 011 01810
2852	Cap, 1n, 5%, 50v, Ceramic.	3198 016 01020	3448	Res, 820 ohm, 5%, 1/6W, Carbon Film.	3198 011 08210
2853	Cap, 4u7, +80/-20%, 10v, Ceramic.	2020 552 96305	3449	Res, 68 ohm, 5%, 1/6W, Carbon Film. .	3198 011 06890
2854	Cap, 1n, 5%, 50v, Ceramic.	3198 016 01020	3450	Res, 33 ohm, 5%, 1/6W, Carbon Film. .	3198 011 03390
2855	Cap, 33p, 5%, 50v, Ceramic.	3198 016 03390	S 3451	Res, 10 ohm, 5%, 1/3W, Metal Film. . .	2306 204 03109
2856	Cap, 47p, 5%, 50v, Ceramic.	3198 016 04790	3452	Res, 10K, 1%, 3/5W, Metal Film. . . .	2312 915 11003
2857	Cap, 150p, 5%, 50v, Ceramic.	3198 016 01510	3453	Res, 1K, 5%, 1/6W, Carbon Film. . . .	3198 011 01020
2860	Cap, 180p, 5%, 50v, Ceramic.	3198 016 01810	3454	Res, 3K9, 1%, 3/5W, Metal Film. . . .	2312 915 13902
2894	Cap, 220p, 5%, 50v, Ceramic.	3198 016 02210	3455	Res, 6R8, 5%, 1 1/3W, Metal Film. . .	3198 012 26880
2895	Cap, 560p, 5%, 50v, Ceramic.	3198 016 05610	3456	Res, Zero ohm, "Chip" Jumper	3198 021 90020
2897	Cap, 390p, 5%, 50v, Ceramic.	3198 016 03910	3457	Res, Zero ohm, "Chip" Jumper	3198 021 90020
2898	Cap, 10n, 10%, 50v, Ceramic.	3198 017 01030	3458	Res, 1K, 5%, 1/6W, Carbon Film. . . .	3198 011 01020
2902	Cap, 1000u, 20%, 16v, Electrolytic.	3198 026 21020	3459	Res, 15K, 5%, 1 1/3W, Metal Film. . .	3198 012 21530
2903	Cap, 1u, 20%, 50v, Electrolytic.	3198 025 51080	3460	Res, 3K9, 5%, 1/6W, Carbon Film. . .	3198 011 03920
2904	Cap, 470n, +80/-20%, 16v, Ceramic.	3198 017 24740	3463	Res, 33 ohm, 5%, 1/6W, Carbon Film. .	3198 011 03390
2905	Cap, 1n, 10%, 50v, Ceramic.	3198 017 01020	3465	Res, 27K, 1%, 3/5W, Metal Film. . . .	2312 915 12703
2906	Cap, 470n, +80/-20%, 16v, Ceramic.	3198 017 24740	3468	Res, 220 ohm, 5%, 1/6W, Carbon Film.	3198 011 02210
2907	Cap, 1n, 10%, 50v, Ceramic.	3198 017 01020	3469	Res, 3K3, 5%, 1/6W, Carbon Film. . .	3198 011 03320
2908	Cap, 10u, 20%, 50v, Electrolytic.	3198 025 51090	3470	Res, 330K, 5%, 1/10W, Metalized Glass	3198 021 53340
2910	Cap, 3n3, 10%, 50v, Ceramic.	3198 017 03320	3471	Res, 3R3, 1%, 3/5W, Metal Film. . . .	2312 915 13308
2911	Cap, 3n3, 10%, 50v, Ceramic.	3198 017 03320	3472	Res, 3R3, 1%, 3/5W, Metal Film. . . .	2312 915 13308
2950	Cap, 330p, 5%, 50v, Ceramic.	3198 016 03310	3473	Res, 3R3, 1%, 3/5W, Metal Film. . . .	2312 915 13308
3000	Res, 100 ohm, 5%, 1/6W, Carbon Film.	3198 011 01010	3474	Res, 2K2, 1%, 3/5W, Metal Film. . . .	2312 915 12202
3001	Res, 100 ohm, 5%, 1/6W, Carbon Film.	3198 011 01010	3475	Res, 2K2, 1%, 3/5W, Metal Film. . . .	2312 915 12202
3002	Res, Zero ohm, "Chip" Jumper	3198 021 90020	3477	Res, 150 ohm, 5%, 1/6W, Carbon Film.	3198 011 01510
3003	Res, 1K5, 5%, 1/10W, Metalized Glass	3198 021 51520	3478	Res, 150 ohm, 5%, 1/6W, Carbon Film.	3198 011 01510
3004	Res, 8K2, 5%, 1/10W, Metalized Glass	3198 021 58220	3479	Res, 2K7, 5%, 1/10W, Metalized Glass	3198 021 52720
3005	Res, 100 ohm, 5%, 1/6W, Carbon Film.	3198 011 01010	3480	Res, 1R5, 5%, 1/4W, Carbon Film. . . .	2120 101 74158
3101	Res, 68 ohm, 5%, 1/6W, Carbon Film. .	3198 011 06890	3481	Res, 12K, 1%, 3/5W, Metal Film. . . .	2312 915 11203
3102	Res, 1K, 5%, 1/10W, Metalized Glass.	3198 021 51020	3482	Res, 12K, 1%, 3/5W, Metal Film. . . .	2312 915 11203
3103	Res, 150 ohm, 5%, 1/6W, Carbon Film.	3198 011 01510	3484	Res, 3K9, 5%, 1/6W, Carbon Film. . .	3198 011 03920
3104	Res, 220K, 5%, 1/10W, Metalized Glass	3198 021 52240	3486	Res, 33 ohm, 5%, 2 1/2W, Metal Film.	3198 012 33390
3105	Res, 150 ohm, 5%, 1/6W, Carbon Film.	3198 011 01510	3488	Res, 4R7, 5%, 1/2W, Metal Film. . . .	2306 207 03478
3106	Res, 220K, 5%, 1/10W, Metalized Glass	3198 021 52240	3490	Res, 8K2, 5%, 1/6W, Carbon Film. . .	3198 011 08220
3122	Wire Jumper, 0.58MM.	3198 036 90010	3492	Res, 1K, 5%, 1/10W, Metalized Glass.	3198 021 51020
3123	Res, 150 ohm, 5%, 1/6W, Carbon Film.	3198 011 01510	3493	Res, 6R8, 5%, 1/3W, Metal Film. . . .	2306 204 03688
3124	Res, 47K, 5%, 1/10W, Metalized Glass	3198 021 54730	3494	Res, 4R7, 5%, 1/2W, Metal Film. . . .	2306 207 03478
3125	Res, 150 ohm, 5%, 1/6W, Carbon Film.	3198 011 01510	3495	Res, 22K, 5%, 1/10W, Metalized Glass	3198 021 52230
3126	Res, 47K, 5%, 1/10W, Metalized Glass	3198 021 54730	3496	Res, 100K, 5%, 1/10W, Metalized Glass	3198 021 51040
3136	Wire Jumper, 0.58MM.	3198 036 90010	3497	Res, 100K, 5%, 1/10W, Metalized Glass	3198 021 51040
3138	Wire Jumper, 0.58MM.	3198 036 90010	3498	Res, 12K, 5%, 1/10W, Metalized Glass	3198 021 51230
3151	Res, 680 ohm, 5%, 1/10W, Metalized Gl		3499	Res, 10K, 5%, 1/10W, Metalized Glass	3198 021 51030
	ass.	3198 021 56810	S 3500	Res, 3M3, 5%, 1/2W, Metalized Glass.	2322 242 13335
3152	Res, 680 ohm, 5%, 1/10W, Metalized Gl		S 3501	Res, 3M3, 5%, 1/2W, Metalized Glass.	2322 242 13335
	ass.	3198 021 56810	S 3504	PTC, DC, 120V, P3020 B.	2120 661 00025
3153	Res, 680 ohm, 5%, 1/10W, Metalized Gl		S 3506	Res, 1M5, 5%, 1/2W, Metalized Glass.	2322 242 13155
	ass.	3198 021 56810	S 3507	Surge Protector.	2422 549 43073
3200	Res, 390 ohm, 5%, 1/6W, Carbon Film.	3198 011 03910	S 3508	Res, 220 ohm, 20%, 1/2W, Carbon Film	3198 013 02210
3201	Res, 100 ohm, 5%, 1/6W, Carbon Film.	3198 011 01010	S 3510	NTC, DC, B57237, 3W1, 4R7, 20% . . .	2122 612 00056
3202	Res, 100 ohm, 5%, 1/6W, Carbon Film.	3198 011 01010	3519	Res, 270 ohm, 5%, 1/6W, Carbon Film.	3198 011 02710
3203	Res, 100 ohm, 5%, 1/6W, Carbon Film.	3198 011 01010	3520	Res, 1K2, 5%, 1/10W, Metalized Glass	3198 021 51220
3204	Res, 22K, 5%, 1/6W, Carbon Film. . . .	3198 011 02230	3521	Res, 4R7, 5%, 1/6W, Carbon Film. . . .	3198 011 04780
3206	Res, 33K, 5%, 1/10W, Metalized Glass	3198 021 53330	3522	Res, 330K, 1%, 1/8W, Metalized Glass	2322 734 63304
3207	Res, 1K, 5%, 1/6W, Carbon Film.	3198 011 01020	S 3523	Res, 100 ohm, 5%, 1/3W, Metal Film. .	2306 204 03101
3208	Res, 220 ohm, 5%, 1/10W, Metalized Gl		3524	Res, 56K, 5%, 1/10W, Metalized Glass	3198 021 55630
	ass.	3198 021 52210	3525	Res, 1K, 5%, 1/10W, Metalized Glass.	3198 021 51020

S = Safety Part. Be sure to use exact replacement part.

PCW227C321 (continued)

3526	Res, 0R1, 5%, 3/5W, Metal Film . . .	3198 012 11070	4430	Res, Zero ohm, "Chip" Jumper	3198 021 90020
3527	Res, 0R33, 5%, 3/5W, Metal Film . . .	3198 012 13370	4500	Res, Zero ohm, "Chip" Jumper	3198 021 90020
3528	Res, Zero ohm, "Chip" Jumper	3198 021 90020	4604	Res, 3K3, 5%, 1/10W, Metalized Glass	3198 021 53320
3529	Res, 47K, 5%, 1/10W, Metalized Glass	3198 021 54730	4613	Res, Zero ohm, "Chip" Jumper	3198 021 90020
3530	Res, 10K, 5%, 1/10W, Metalized Glass	3198 021 51030	4614	Res, Zero ohm, "Chip" Jumper	3198 021 90020
3531	Res, 4K7, 5%, 1/10W, Metalized Glass	3198 021 54720	4615	Res, Zero ohm, "Chip" Jumper	3198 021 90020
S 3532	Res, 2K2, 5%, 1/3W, Metal Film . . .	2306 204 03222	4617	Res, Zero ohm, "Chip" Jumper	3198 021 90020
3541	Res, 470 ohm, 5%, 1/10W, Metalized Gl	3198 021 54710	4619	Res, Zero ohm, "Chip" Jumper	3198 021 90020
	ass.	3198 021 54710	4622	Res, Zero ohm, "Chip" Jumper	3198 021 90020
3542	Res, 1K5, 5%, 1/10W, Metalized Glass	3198 021 51520	4623	Res, Zero ohm, "Chip" Jumper	3198 021 90020
3543	Res, 82K, 1%, 3/5W, Metal Film . . .	2312 915 18203	4691	Res, Zero ohm, "Chip" Jumper	3198 021 90020
3544	Res, 4K7, 1%, 1/8W, Metalized Glass.	2322 734 64702	4692	Res, Zero ohm, "Chip" Jumper	3198 021 90020
3545	Res, 270K, 5%, 1/8W, Metalized Glass	2322 730 61274	4693	Res, Zero ohm, "Chip" Jumper	3198 021 90020
3548	Res, 15K, 5%, 1/10W, Metalized Glass	3198 021 51530	4696	Res, Zero ohm, "Chip" Jumper	3198 021 90020
3558	Res, 330 ohm, 5%, 1W, Metal Film . .	3198 012 13310	4811	Res, Zero ohm, "Chip" Jumper	3198 021 90020
3561	Res, 100 ohm, 5%, 1/6W, Carbon Film.	3198 011 01010	4831	Res, Zero ohm, "Chip" Jumper	3198 021 90020
3562	Res, 12K, 5%, 1/10W, Metalized Glass	3198 021 51230	4833	Res, Zero ohm, "Chip" Jumper	3198 021 90020
3563	Res, 5K6, 5%, 1/10W, Metalized Glass	3198 021 55620	4835	Res, Zero ohm, "Chip" Jumper	3198 021 90020
3564	Res, 0R1, 5%, 1 1/3W, Metal Film . .	3198 012 21070	4901	Res, Zero ohm, "Chip" Jumper	3198 021 90020
3580	Res, 47K, 5%, 1/10W, Metalized Glass	3198 021 54730	4903	Res, Zero ohm, "Chip" Jumper	3198 021 90020
3594	Res, 330 ohm, 5%, 1/10W, Metalized Gl	3198 021 53310	4982	Res, Zero ohm, "Chip" Jumper	3198 021 90020
	ass.	3198 021 53310	5001	Coil, 27u.	3198 018 22790
3595	Res, 220K, 5%, 1/10W, Metalized Glass	3198 021 52240	5002	Coil, 820n	3198 018 18270
3596	Res, 220K, 5%, 1/10W, Metalized Glass	3198 021 52240	5201	Coil, 6u8.	3198 018 16880
3601	Res, 8K2, 5%, 1/6W, Carbon Film. . .	3198 011 08220	5202	Wire Jumper, 0.58MM.	3198 036 90010
3603	Res, 100 ohm, 5%, 1/6W, Carbon Film.	3198 011 01010	5204	Fixed, Inductor, 100MHZ, 80 ohm. . .	3198 018 90020
3604	Res, 100 ohm, 5%, 1/6W, Carbon Film.	3198 011 01010	5205	Fixed, Inductor, 100MHZ, 80 ohm. . .	3198 018 90020
3605	Res, 4K7, 5%, 1/10W, Metalized Glass	3198 021 54720	5206	Fixed, Inductor, 100MHZ, 80 ohm. . .	3198 018 90020
3606	Res, 2K2, 5%, 1/6W, Carbon Film. . .	3198 011 02220	5241	Wire Jumper, 0.58MM.	3198 036 90010
3607	Res, 2K2, 5%, 1/6W, Carbon Film. . .	3198 011 02220	5242	Coil, 10u.	3198 018 11090
3608	Res, 100 ohm, 5%, 1/6W, Carbon Film.	3198 011 01010	S 5445	Transformer, SLOT, 1342.0043B Y. . .	2422 531 02506
3609	Res, 1K, 5%, 1/6W, Carbon Film . . .	3198 011 01020	5451	Coil, 33u.	3198 018 73390
3610	Res, 8K2, 5%, 1/6W, Carbon Film. . .	3198 011 08220	5452	Fixed, Inductor, 100MHZ, 80 ohm. . .	3198 018 90020
3611	Res, 100 ohm, 5%, 1/10W, Metalized Gl	3198 021 51010	5457	Coil, 42u.	2422 535 94865
	ass.	3198 021 51010	5461	Transformer, Signal Driver, SC10015-0	
3618	Res, 6K8, 5%, 1/6W, Carbon Film. . .	3198 011 06820		0 B.	2422 531 02465
3622	Res, 100 ohm, 5%, 1/10W, Metalized Gl	3198 021 51010	5471	Coil, 3u3.	3198 018 73380
	ass.	3198 021 51010	5472	Coil, 3u3.	3198 018 23380
3623	Res, 4K7, 5%, 1/10W, Metalized Glass	3198 021 54720	5480	Coil, 39u.	2422 535 97336
3624	Res, 100 ohm, 5%, 1/6W, Carbon Film.	3198 011 01010	S 5501	Filter, Mains, 5mH, 2A	2422 549 43432
3625	Res, 100 ohm, 5%, 1/6W, Carbon Film.	3198 011 01010	S 5520	Transformer, Layer, SS39009-04 B . .	2422 531 02459
3626	Res, 4K7, 5%, 1/10W, Metalized Glass	3198 021 54720	5521	Fixed, Inductor, 100MHZ, 50R. . . .	3198 018 90010
3627	Res, 4K7, 5%, 1/10W, Metalized Glass	3198 021 54720	5560	Fixed, Inductor, 100MHZ, 50R. . . .	3198 018 90010
3628	Res, 10K, 5%, 1/10W, Metalized Glass	3198 021 51030	5561	Coil, 27u.	3198 018 22790
3630	Res, 2K2, 5%, 1/10W, Metalized Glass	3198 021 52220	5562	Fixed, Inductor, 100MHZ, 50R. . . .	3198 018 90010
3632	Res, Zero ohm, "Chip" Jumper	3198 021 90020	5564	Fixed, Inductor, 100MHZ, 50R. . . .	3198 018 90010
3636	Res, 100 ohm, 5%, 1/10W, Metalized Gl	3198 021 51010	5602	Coil, 5u6.	3198 018 15680
	ass.	3198 021 51010	5603	Coil, 5u6.	3198 018 15680
3639	Res, Zero ohm, "Chip" Jumper	3198 021 90020	5604	Coil, 5u6.	3198 018 15680
3681	Res, 390 ohm, 5%, 1/10W, Metalized Gl	3198 021 53910	5831	Coil, 6u8.	3198 018 16880
	ass.	3198 021 53910	5832	Coil, 6u8.	3198 018 16880
3682	Res, 3K3, 5%, 1/10W, Metalized Glass	3198 021 53320	5833	Coil, 6u8.	3198 018 16880
3683	Res, 390 ohm, 5%, 1/10W, Metalized Gl	3198 021 53910	5835	Coil, 12u.	3198 018 31290
	ass.	3198 021 53910	6001	Zener Diode, 33 volt	3198 010 23390
3684	Res, 560 ohm, 5%, 1/10W, Metalized Gl	3198 021 55610	6201	Diode, Signal, BAS316.	3198 010 10630
	ass.	3198 021 55610	6202	Diode, Signal, BAS316.	3198 010 10630
3685	Res, 560 ohm, 5%, 1/10W, Metalized Gl	3198 021 55610	6206	Zener Diode, 6.8 volt.	3198 020 56880
	ass.	3198 021 55610	6445	Zener Diode, 10 volt	3198 020 51090
3686	Res, 1K5, 5%, 1/10W, Metalized Glass	3198 021 51520	6447	Diode, Signal, 1N4148.	3198 010 10010
3691	Res, 330 ohm, 5%, 1/10W, Metalized Gl	3198 021 53310	6448	Zener Diode, 6.2 volt.	9331 668 30133
	ass.	3198 021 53310	6449	Diode, Signal, BAV99	3198 010 10620
3693	Res, 220 ohm, 5%, 1/10W, Metalized Gl	3198 021 52210	6453	Zener Diode, 6.8 volt.	3198 020 56880
	ass.	3198 021 52210	6460	Diode, Rect, BY228/24	9340 559 50112
3801	Res, 220 ohm, 5%, 1/6W, Carbon Film.	3198 011 02210	6461	Diode, Rect, RGP30J-L7004	9338 617 60682
3802	Res, 1K, 5%, 1/6W, Carbon Film . . .	3198 011 01020	6462	Zener Diode, 9.1 volt.	9331 177 80133
3831	Res, 47K, 5%, 1/10W, Metalized Glass	3198 021 54730	6465	Diode, Signal, BAV21	3198 010 10070
3832	Res, 100 ohm, 5%, 1/6W, Carbon Film.	3198 011 01010	6466	Diode, Signal, BAV21	3198 010 10070
3833	Res, 100 ohm, 5%, 1/6W, Carbon Film.	3198 011 01010	6467	Diode, Signal, BAS316.	3198 010 10630
3836	Res, 1K, 5%, 1/10W, Metalized Glass.	3198 021 51020	6468	Diode, Signal, BAS316.	3198 010 10630
3837	Res, 100 ohm, 5%, 1/6W, Carbon Film.	3198 011 01010	6469	Diode, Rect, BYD33J	9337 234 20133
3838	Res, 1K, 5%, 1/10W, Metalized Glass.	3198 021 51020	6470	Diode, Signal, BAV99	3198 010 10620
3839	Res, 100 ohm, 5%, 1/6W, Carbon Film.	3198 011 01010	6476	Zener Diode, 15 volt	3198 010 21590
3843	Res, 2K2, 5%, 1/10W, Metalized Glass	3198 021 52220	6481	Zener Diode, 5.6 volt.	3198 010 25680
3901	Res, 1K, 5%, 1/10W, Metalized Glass.	3198 021 51020	6482	Zener Diode, 9.1 volt.	9331 177 80133
3902	Res, 3K3, 5%, 1/10W, Metalized Glass	3198 021 53320	6483	Zener Diode, 33 volt	3198 010 23390
3903	Res, 3K3, 5%, 1/10W, Metalized Glass	3198 021 53320	6485	Diode, Rect, BYD33J	9337 234 20133
3904	Res, 10K, 5%, 1/10W, Metalized Glass	3198 021 51030	6486	Diode, Rect, EGP20DL-5100	9322 164 42682
3905	Res, 3K3, 5%, 1/10W, Metalized Glass	3198 021 53320	6487	Diode, Rect, BYD33D	9337 234 00133
3906	Res, 10K, 5%, 1/10W, Metalized Glass	3198 021 51030	6488	Diode, Rect, EGP20DL-5100	9322 164 42682
3907	Res, 8K2, 5%, 1/10W, Metalized Glass	3198 021 58220	6500	Diode, Bridge Rect, GBU4JL-7002 . .	9322 132 55667
4001	Res, Zero ohm, "Chip" Jumper	3198 021 90020	6520	Diode, Rect, BYD33D	9337 234 00133
4002	Res, Zero ohm, "Chip" Jumper	3198 021 90020	6523	Diode, Signal, 1N4148.	3198 010 10010
4101	Res, Zero ohm, "Chip" Jumper	3198 021 90020	6524	Diode, Rect, 1N5062	3198 010 10120
4102	Res, Zero ohm, "Chip" Jumper	3198 021 90020	6525	Diode, Rect, 1N5062	3198 010 10120
4104	Res, Zero ohm, "Chip" Jumper	3198 021 90020	6526	Zener Diode, 22 volt	3198 020 52290
4121	Res, Zero ohm, "Chip" Jumper	3198 021 90020	6540	Zener Diode, 6.2 volt.	9331 668 30133
4181	Res, Zero ohm, "Chip" Jumper	3198 021 90020	6541	Zener Diode, 10 volt	3198 020 51090
4209	Res, Zero ohm, "Chip" Jumper	3198 021 90020	6560	Diode, Rect, BYV29X-500	9340 555 59127
4216	Res, Zero ohm, "Chip" Jumper	3198 021 90020	6561	Diode, Rect, SB340L-7010.	9322 128 18682
4217	Res, Zero ohm, "Chip" Jumper	3198 021 90020	6563	Diode, Signal, BAS316.	3198 010 10630
4401	Res, Zero ohm, "Chip" Jumper	3198 021 90020	6565	Diode, Signal, BAV70	9331 849 10215
4402	Res, Zero ohm, "Chip" Jumper	3198 021 90020	6580	Diode, Signal, BAS316.	3198 010 10630

S = Safety Part Be sure to use exact replacement part.

PCW227C321 (continued)

6681	Diode, Signal, BAT85	9336	247	60133	9613	Wire Jumper, 0.58MM.	3198	036	90010
6691	LED, LTL-10224WHCR	9322	050	99682	9614	Wire Jumper, 0.58MM.	3198	036	90010
6692	IR Receiver, TSOP1836UH3V	9322	127	54667	9615	Wire Jumper, 0.58MM.	3198	036	90010
6831	Diode, Signal, 1N4148.	3198	010	10010	9616	Wire Jumper, 0.58MM.	3198	036	90010
6901	Res, Zero ohm, "Chip" Jumper	3198	021	90020	9617	Wire Jumper, 0.58MM.	3198	036	90010
7101	Transistor, NPN, BC847B.	3198	010	42030	9618	Wire Jumper, 0.58MM.	3198	036	90010
7200	IC, TDA9588H/N1/3.	9352	693	09557	9619	Wire Jumper, 0.58MM.	3198	036	90010
7201	Transistor, NPN, BC847B.	3198	010	42030	9620	Wire Jumper, 0.58MM.	3198	036	90010
7204	Transistor, PNP, BC857B.	3198	010	42150	9621	Wire Jumper, 0.58MM.	3198	036	90010
7205	Transistor, PNP, BC857B.	3198	010	42150	9622	Wire Jumper, 0.58MM.	3198	036	90010
7441	Transistor, PNP, BC857B.	3198	010	42150	9623	Wire Jumper, 0.58MM.	3198	036	90010
7443	Transistor, PNP, BC557B.	3198	020	40110	9624	Wire Jumper, 0.58MM.	3198	036	90010
7450	Transistor, PNP, PDTA114ET	3198	010	44010	9625	Wire Jumper, 0.58MM.	3198	036	90010
7460	Transistor, NPN, BU4508DX.	9340	550	92127	9626	Wire Jumper, 0.58MM.	3198	036	90010
7461	Transistor, NPN, BC337-25.	3198	020	43530	9627	Wire Jumper, 0.58MM.	3198	036	90010
7462	Transistor, NPN, PDTC143ZT	9340	547	00215	9628	Wire Jumper, 0.58MM.	3198	036	90010
7463	Transistor, PNP, BC327-25.	3198	020	43430	9629	Wire Jumper, 0.58MM.	3198	036	90010
7471	IC, TDA8359J/N2.	9352	701	64112	9630	Wire Jumper, 0.58MM.	3198	036	90010
7480	Transistor, NPN, BD135	3198	020	41010	9631	Wire Jumper, 0.58MM.	3198	036	90010
7482	Transistor, NPN, BD135	3198	020	41010	9632	Wire Jumper, 0.58MM.	3198	036	90010
S 7515	Optic, Coupler, TCE11104(G).	9322	175	72667	9633	Wire Jumper, 0.58MM.	3198	036	90010
7520	IC, TEA1507P/N1.	9352	673	56112	9634	Wire Jumper, 0.58MM.	3198	036	90010
7521	FET Power, STP8NC50FP.	9322	160	72687	9637	Wire Jumper, 0.58MM.	3198	036	90010
7522	Transistor, NPN, BC847B.	3198	010	42030	9638	Wire Jumper, 0.58MM.	3198	036	90010
7540	Transistor, NPN, BC547B.	3198	020	40030	9639	Wire Jumper, 0.58MM.	3198	036	90010
7560	IC, L78L33ACZ.	9322	134	92676	9640	Wire Jumper, 0.58MM.	3198	036	90010
7561	Transistor, NPN, PDTC143ZT	9340	547	00215	9641	Wire Jumper, 0.58MM.	3198	036	90010
7580	Transistor, PNP, BC857B.	3198	010	42150	9642	Wire Jumper, 0.58MM.	3198	036	90010
7602	IC, M24C16-WBNG.	9322	147	25682	9643	Wire Jumper, 0.58MM.	3198	036	90010
7801	IC, HEF4052BT.	9333	729	50653	9644	Wire Jumper, 0.58MM.	3198	036	90010
7802	IC, HEF4053BT.	9333	729	60653	9645	Wire Jumper, 0.58MM.	3198	036	90010
7831	IC, MSP3445G-PO-B8	9322	160	81682	9646	Wire Jumper, 0.58MM.	3198	036	90010
7901	IC, AN7522N	9322	181	41682	9648	Wire Jumper, 0.58MM.	3198	036	90010
9001	Wire Jumper, 0.58MM.	3198	036	90010	9650	Wire Jumper, 0.58MM.	3198	036	90010
9111	Wire Jumper, 0.58MM.	3198	036	90010	9654	Wire Jumper, 0.58MM.	3198	036	90010
9112	Wire Jumper, 0.58MM.	3198	036	90010	9655	Wire Jumper, 0.58MM.	3198	036	90010
9113	Wire Jumper, 0.58MM.	3198	036	90010	9656	Wire Jumper, 0.58MM.	3198	036	90010
9121	Wire Jumper, 0.58MM.	3198	036	90010	9657	Wire Jumper, 0.58MM.	3198	036	90010
9122	Wire Jumper, 0.58MM.	3198	036	90010	9658	Wire Jumper, 0.58MM.	3198	036	90010
9171	Wire Jumper, 0.58MM.	3198	036	90010	9659	Wire Jumper, 0.58MM.	3198	036	90010
9172	Wire Jumper, 0.58MM.	3198	036	90010	9660	Wire Jumper, 0.58MM.	3198	036	90010
9173	Wire Jumper, 0.58MM.	3198	036	90010	9661	Wire Jumper, 0.58MM.	3198	036	90010
9175	Wire Jumper, 0.58MM.	3198	036	90010	9662	Wire Jumper, 0.58MM.	3198	036	90010
9176	Wire Jumper, 0.58MM.	3198	036	90010	9663	Wire Jumper, 0.58MM.	3198	036	90010
9178	Wire Jumper, 0.58MM.	3198	036	90010	9664	Wire Jumper, 0.58MM.	3198	036	90010
9179	Wire Jumper, 0.58MM.	3198	036	90010	9665	Wire Jumper, 0.58MM.	3198	036	90010
9181	Wire Jumper, 0.58MM.	3198	036	90010	9666	Wire Jumper, 0.58MM.	3198	036	90010
9182	Wire Jumper, 0.58MM.	3198	036	90010	9668	Wire Jumper, 0.58MM.	3198	036	90010
9183	Wire Jumper, 0.58MM.	3198	036	90010	9669	Wire Jumper, 0.58MM.	3198	036	90010
9192	Wire Jumper, 0.58MM.	3198	036	90010	9670	Wire Jumper, 0.58MM.	3198	036	90010
9193	Wire Jumper, 0.58MM.	3198	036	90010	9672	Coil, 27u.	2422	535	95366
9406	Wire Jumper, 0.58MM.	3198	036	90010	9674	Wire Jumper, 0.58MM.	3198	036	90010
9407	Wire Jumper, 0.58MM.	3198	036	90010	9675	Wire Jumper, 0.58MM.	3198	036	90010
9408	Wire Jumper, 0.58MM.	3198	036	90010	9676	Wire Jumper, 0.58MM.	3198	036	90010
9409	Wire Jumper, 0.58MM.	3198	036	90010	9678	Coil, 27u.	2422	535	95366
9410	Wire Jumper, 0.58MM.	3198	036	90010	9679	Wire Jumper, 0.58MM.	3198	036	90010
9411	Wire Jumper, 0.58MM.	3198	036	90010	9680	Wire Jumper, 0.58MM.	3198	036	90010
9412	Wire Jumper, 0.58MM.	3198	036	90010	9683	Wire Jumper, 0.58MM.	3198	036	90010
9413	Wire Jumper, 0.58MM.	3198	036	90010	9685	Wire Jumper, 0.58MM.	3198	036	90010
9415	Wire Jumper, 0.58MM.	3198	036	90010	9686	Wire Jumper, 0.58MM.	3198	036	90010
9416	Wire Jumper, 0.58MM.	3198	036	90010	9687	Wire Jumper, 0.58MM.	3198	036	90010
9417	Wire Jumper, 0.58MM.	3198	036	90010	9688	Wire Jumper, 0.58MM.	3198	036	90010
9418	Wire Jumper, 0.58MM.	3198	036	90010	9689	Wire Jumper, 0.58MM.	3198	036	90010
9419	Wire Jumper, 0.58MM.	3198	036	90010	9690	Wire Jumper, 0.58MM.	3198	036	90010
9421	Wire Jumper, 0.58MM.	3198	036	90010	9691	Wire Jumper, 0.58MM.	3198	036	90010
9422	Wire Jumper, 0.58MM.	3198	036	90010	9694	Wire Jumper, 0.58MM.	3198	036	90010
9423	Wire Jumper, 0.58MM.	3198	036	90010	9695	Wire Jumper, 0.58MM.	3198	036	90010
9425	Wire Jumper, 0.58MM.	3198	036	90010	9697	Wire Jumper, 0.58MM.	3198	036	90010
9427	Wire Jumper, 0.58MM.	3198	036	90010	9698	Wire Jumper, 0.58MM.	3198	036	90010
9453	Wire Jumper, 0.58MM.	3198	036	90010	9699	Wire Jumper, 0.58MM.	3198	036	90010
9460	Wire Jumper, 0.58MM.	3198	036	90010	9821	Wire Jumper, 0.58MM.	3198	036	90010
9500	Wire Jumper, 0.58MM.	3198	036	90010	9822	Wire Jumper, 0.58MM.	3198	036	90010
9501	Wire Jumper, 0.58MM.	3198	036	90010	9823	Wire Jumper, 0.58MM.	3198	036	90010
9503	Wire Jumper, 0.58MM.	3198	036	90010	9824	Wire Jumper, 0.58MM.	3198	036	90010
9506	Wire Jumper, 0.58MM.	3198	036	90010	9825	Wire Jumper, 0.58MM.	3198	036	90010
9507	Wire Jumper, 0.58MM.	3198	036	90010	9827	Wire Jumper, 0.58MM.	3198	036	90010
9510	Wire Jumper, 0.58MM.	3198	036	90010	9828	Wire Jumper, 0.58MM.	3198	036	90010
9512	Wire Jumper, 0.58MM.	3198	036	90010	9829	Wire Jumper, 0.58MM.	3198	036	90010
9513	Wire Jumper, 0.58MM.	3198	036	90010	9830	Wire Jumper, 0.58MM.	3198	036	90010
9514	Wire Jumper, 0.58MM.	3198	036	90010	9831	Wire Jumper, 0.58MM.	3198	036	90010
9515	Wire Jumper, 0.58MM.	3198	036	90010	9832	Wire Jumper, 0.58MM.	3198	036	90010
9516	Wire Jumper, 0.58MM.	3198	036	90010	9833	Wire Jumper, 0.58MM.	3198	036	90010
9518	Wire Jumper, 0.58MM.	3198	036	90010	9834	Wire Jumper, 0.58MM.	3198	036	90010
9520	Wire Jumper, 0.58MM.	3198	036	90010	9835	Wire Jumper, 0.58MM.	3198	036	90010
9521	Wire Jumper, 0.58MM.	3198	036	90010	9836	Wire Jumper, 0.58MM.	3198	036	90010
9522	Wire Jumper, 0.58MM.	3198	036	90010	9837	Wire Jumper, 0.58MM.	3198	036	90010
9524	Wire Jumper, 0.58MM.	3198	036	90010	9838	Wire Jumper, 0.58MM.	3198	036	90010
9525	Wire Jumper, 0.58MM.	3198	036	90010	9839	Wire Jumper, 0.58MM.	3198	036	90010
9528	Wire Jumper, 0.58MM.	3198	036	90010	9840	Wire Jumper, 0.58MM.	3198	036	90010
9610	Wire Jumper, 0.58MM.	3198	036	90010	9841	Wire Jumper, 0.58MM.	3198	036	90010
9611	Coil, 27u.	3198	018	22790	9842	Wire Jumper, 0.58MM.	3198	036	90010
9612	Wire Jumper, 0.58MM.	3198	036	90010	9843	Wire Jumper, 0.58MM.	3198	036	90010

S = Safety Part. Be sure to use exact replacement part.

PCW227C321 (continued)

9844	Wire Jumper, 0.58MM.	3198 036 90010	2710	Cap, 100n, 10%, 16v, Ceramic	3198 017 01040
9845	Wire Jumper, 0.58MM.	3198 036 90010	2711	Cap, 100p, 5%, 50v, Ceramic.	3198 016 01010
9846	Wire Jumper, 0.58MM.	3198 036 90010	2712	Cap, 100p, 5%, 50v, Ceramic.	3198 016 01010
9847	Wire Jumper, 0.58MM.	3198 036 90010	2713	Cap, 100n, 10%, 16v, Ceramic	3198 017 01040
9849	Wire Jumper, 0.58MM.	3198 036 90010	3703	Res, 75 ohm, 5%, 1/10W, Metalized Gla	
9851	Wire Jumper, 0.58MM.	3198 036 90010		ss.	3198 021 57590
9901	Wire Jumper, 0.58MM.	3198 036 90010	3707	Res, 10K, 5%, 1/10W, Metalized Glass	3198 021 51030
9902	Wire Jumper, 0.58MM.	3198 036 90010	3708	Res, 47K, 5%, 1/10W, Metalized Glass	3198 021 54730
9903	Wire Jumper, 0.58MM.	3198 036 90010	3710	Res, 47K, 5%, 1/10W, Metalized Glass	3198 021 54730
9904	Wire Jumper, 0.58MM.	3198 036 90010	3715	Res, 100 ohm, 5%, 1/10W, Glass	3198 021 51010
9905	Wire Jumper, 0.58MM.	3198 036 90010	3716	Res, 10K, 5%, 1/10W, Metalized Glass	3198 021 51030
9911	Wire Jumper, 0.58MM.	3198 036 90010	3717	Res, 10K, 5%, 1/10W, Metalized Glass	3198 021 51030
9912	Wire Jumper, 0.58MM.	3198 036 90010	3718	Res, 10K, 5%, 1/10W, Metalized Glass	3198 021 51030
9913	Wire Jumper, 0.58MM.	3198 036 90010	3719	Res, 4K7, 5%, 1/10W, Metalized Glass	3198 021 54720
9914	Wire Jumper, 0.58MM.	3198 036 90010	3720	Res, 10K, 5%, 1/10W, Metalized Glass	3198 021 51030
9915	Wire Jumper, 0.58MM.	3198 036 90010	3721	Res, 4K7, 5%, 1/10W, Metalized Glass	3198 021 54720
9916	Wire Jumper, 0.58MM.	3198 036 90010	3722	Res, 10K, 5%, 1/10W, Metalized Glass	3198 021 51030
9918	Wire Jumper, 0.58MM.	3198 036 90010	3723	Res, 33K, 5%, 1/10W, Metalized Glass	3198 021 53330
9919	Wire Jumper, 0.58MM.	3198 036 90010	3724	Res, 33K, 5%, 1/10W, Metalized Glass	3198 021 53330
9920	Wire Jumper, 0.58MM.	3198 036 90010	3725	Res, 68K, 5%, 1/10W, Metalized Glass	3198 021 56830
9921	Wire Jumper, 0.58MM.	3198 036 90010	3726	Res, 10K, 5%, 1/10W, Metalized Glass	3198 021 51030
9991	Wire Jumper, 0.58MM.	3198 036 90010	3727	Res, 4K7, 5%, 1/10W, Metalized Glass	3198 021 54720
9993	Wire Jumper, 0.58MM.	3198 036 90010	3728	Res, 10K, 5%, 1/10W, Metalized Glass	3198 021 51030
9994	Wire Jumper, 0.58MM.	3198 036 90010	3729	Res, 10K, 5%, 1/10W, Metalized Glass	3198 021 51030
9996	Wire Jumper, 0.58MM.	3198 036 90010	3731	Res, 1K8, 5%, 1/10W, Metalized Glass	3198 021 51820
9997	Wire Jumper, 0.58MM.	3198 036 90010	3733	Res, 47K, 5%, 1/10W, Metalized Glass	3198 021 54730
9998	Wire Jumper, 0.58MM.	3198 036 90010	3734	Res, 47K, 5%, 1/10W, Metalized Glass	3198 021 54730
CBA	Main Chassis Assembly.	3139 177 25751	3735	Res, 75 ohm, 5%, 1/10W, Metalized Gla	

CRT Panel Parts (Part of Main Chassis)

	CRT Panel Parts (Part of Main Chassis)		3736	ss.	3198 021 57590
S 0244	Connector, 5 Pin	2422 025 04853	3740	Res, 220 ohm, 20%, 1/2W, Carbon Film	3198 013 02210
S 0245	Connector, 6 Pin	2422 025 04854	3741	Res, 1K, 5%, 1/10W, Metalized Glass.	3198 021 51020
S 0254	Socket, CRT, 9 Pin, N-Neck	2422 500 80076	3742	Res, 4K7, 5%, 1/10W, Metalized Glass	3198 021 54720
2330	Cap, 100n, 10%, 250v, Metalized Polyp		3743	Res, 100 ohm, 5%, 1/10W, Glass	3198 021 51010
	ropylene	2222 368 90177	3744	Res, 100 ohm, 5%, 1/10W, Glass	3198 021 51010
2340	Cap, 10u, 20%, 250v, Electrolytic.	2020 012 93455	4004	Res, Zero ohm, "Chip" Jumper	3198 021 90020
2341	Cap, 3n3, 10%, 500v, Ceramic	3198 019 43320	4005	Res, Zero ohm, "Chip" Jumper	3198 021 90020
2342	Cap, 560p, 5%, 50v, Ceramic.	3198 016 05610	4006	Res, Zero ohm, "Chip" Jumper	3198 021 90020
2343	Cap, 3n3, 10%, 2000v, Ceramic.	2020 558 90529	4008	Res, Zero ohm, "Chip" Jumper	3198 021 90020
2344	Cap, 100n, ?20%, 25v, Ceramic.	3198 023 21040	4009	Res, Zero ohm, "Chip" Jumper	3198 021 90020
2345	Cap, 1n, 10%, 500v, Ceramic.	3198 019 41020	4010	Res, Zero ohm, "Chip" Jumper	3198 021 90020
3331	Res, 100 ohm, 5%, 1/6W, Carbon Film.	3198 011 01010	6703	Zener Diode, 5.1 volt.	3198 010 25180
3332	Res, 1K, 20%, 1/2W, Carbon Film.	3198 013 01020	6704	Zener Diode, 8.2 volt.	3198 020 58280
3333	Res, 100 ohm, 5%, 1/6W, Carbon Film.	3198 011 01010	6706	Zener Diode, 8.2 volt.	3198 020 58280
3334	Res, 1K, 20%, 1/2W, Carbon Film.	3198 013 01020	7700	Transistor, NPN, BC847B.	3198 010 42030
3335	Res, 100 ohm, 5%, 1/6W, Carbon Film.	3198 011 01010	7701	Transistor, NPN, BC847B.	3198 010 42030
3336	Res, 1K, 20%, 1/2W, Carbon Film.	3198 013 01020	7704	Transistor, PNP, BC857B.	3198 010 42150
S 3340	Res, 10 ohm, 5%, 1/2W, Metal Film.	2306 207 03109	7705	Transistor, PNP, BC857B.	3198 010 42150
S 3341	Res, 1 ohm, 5%, 1/3W, Metal Film	2306 204 03108	7706	Transistor, NPN, BC847B.	3198 010 42030
S 3342	Res, 1 ohm, 5%, 1/3W, Metal Film	2306 204 03108	7707	Transistor, NPN, BC847B.	3198 010 42030
3343	Res, 1K5, 20%, 1/2W, Carbon Film	3198 013 01520	7708	Transistor, NPN, BC847B.	3198 010 42030
3344	Res, 22 ohm, 5%, 1/6W, Carbon Film	3198 011 02290	7715	Transistor, NPN, BC847B.	3198 010 42030
S 3345	VDR, DC, 1mA, 50V, MAX, 115V	2322 593 13507	7716	Transistor, NPN, BC847B.	3198 010 42030
3346	Res, 22 ohm, 5%, 1/6W, Carbon Film	3198 011 02290	9001	Wire Jumper, 0.58MM.	3198 036 90010
3347	Res, Zero ohm, "Chip" Jumper	3198 021 90020	9002	Wire Jumper, 0.58MM.	3198 036 90010
3350	Res, Zero ohm, "Chip" Jumper	3198 021 90020	9003	Wire Jumper, 0.58MM.	3198 036 90010
3353	Res, Zero ohm, "Chip" Jumper	3198 021 90020	9004	Wire Jumper, 0.58MM.	3198 036 90010
5342	Coil, 22u.	2422 535 97333	9005	Wire Jumper, 0.58MM.	3198 036 90010
6331	Diode, Signal, BAV21	3198 010 10070	9007	Wire Jumper, 0.58MM.	3198 036 90010
6332	Diode, Signal, BAS316.	3198 010 10630	9008	Wire Jumper, 0.58MM.	3198 036 90010
6333	Diode, Signal, BAV21	3198 010 10070	9009	Wire Jumper, 0.58MM.	3198 036 90010
6335	Diode, Signal, BAV21	3198 010 10070	9010	Wire Jumper, 0.58MM.	3198 036 90010
7330	IC, TDA6107Q/N2.	9352 576 50112	9021	Wire Jumper, 0.58MM.	3198 036 90010
9311	Wire Jumper, 0.58MM.	3198 036 90010			
9341	Wire Jumper, 0.58MM.	3198 036 90010			
9342	Wire Jumper, 0.58MM.	3198 036 90010			
9343	Wire Jumper, 0.58MM.	3198 036 90010			

Interface Panel Parts - 313912729681

	Interface Panel Parts - 313912729681				
CBA	Interface Panel Assembly	3139 127 29681			
0149	Cable, 9 Pin, 280mm.	3135 121 00071			
0162	Cable, 7 Pin, 220mm.	3135 121 00051			
0163	Cable, 10 Pin, 280mm.	3135 121 00061			
0164	Cable, 3 Pin, 400mm.	3135 121 00161			
0167	Cable, 4 Pin, 180mm.	3135 121 00081			
0168	Cable, 6 Pin, 280mm.	3135 121 00041			
0173	Cable, 5 Pin, 400mm.	3135 121 00031			
0217	Connector, 4 Pin	2422 025 16385			
0227	Connector, 6 Pin	2422 025 15849			
0228	Connector, 3 Pin	2422 025 16407			
0240	Connector, 7 Pin	2422 025 11244			
0242	Connector, 10 Pin.	2422 025 12484			
0259	Connector, 5 Pin	2422 025 15848			
1259	Connector, 9 Pin.	2422 025 11243			
1800	Connector, 32 Pin.	3135 010 03531			
2703	Cap, 100u, 20%, 10v, Electrolytic.	3198 025 11010			
2705	Cap, 22p, 5%, 50v, Ceramic	3198 016 02290			
2706	Cap, 4n7, 10%, 50v, Ceramic.	3198 017 04720			
2707	Cap, 4n7, 10%, 50v, Ceramic.	3198 017 04720			
2709	Cap, 100n, 10%, 16v, Ceramic	3198 017 01040			

S = Safety Part Be sure to use exact replacement part.

PCW227S321 - Manual no. 7629

Cabinet & Accessory Parts

Cabinet & Accessory Parts

Main Chassis Assembly Parts

7200 IC, SM TDA9563H/N1/3/0485. 4835 310 57624

Cabinet & Accessory Parts

CBA	EPS(1B). Module, (ITV)	3139	137	22961
S AC01	Mains Cord	3135	010	07161
AC04	Cabinet, Back.	3139	124	42121
AC09	Clip, Anode Lead (3 Used) (Not Shown)	3135	014	04471
S AC10	CRT A68AJB82X11.	9301	891	90631
AC11	Customer Control Panel	3139	124	42141
AC12	Coil, Degaussing	2422	549	43967
AC13	Holder, Degaussing (4 Used).	3135	013	01641
AC20A	Cabinet, Front (ITV) - Model PCW227S3 21.	3139	138	18391
AC20B	Chassis Guide.	3139	124	31381
AC20D	Light Guide.	3139	124	26461
AC20E	Nameplate.	3135	015	03571
AC20F	Power Button	3139	124	42151
AC20J	Speaker, 16R, 5W (2 Used).	2422	264	00401
AC22	Spring	3139	121	26231
AC23	Braid, Assembly.	3135	010	07311
AC24	Bracket, EPS Module, (ITV) (Not Shown)	3119	107	17241
AC25	Bracket, System (Not Shown).	3139	124	37932
AC27	Bracket, Power Button.	3135	121	20061
AC28	Card, Door (Not Shown).	3139	124	30571
CBA	Front Jack Panel, (ITV)	3139	127	29711
CBA	EPS(1B). Module, (ITV)	3139	137	22961
CBA	SP/LS (VERT). Module-ITV	3139	127	27372

Main Chassis Assembly Parts

1000	Tuner, V+U PLL	2422	542	90108
7200	IC, SM TDA9588H/N1/3/0485.	4835	310	57625
0118	U-Cooling Plate.	3139	121	26731
0122	Heatsink	3139	121	62263
0123	Heatsink, Audio.	3139	121	62501
0124	Heatsink, SOPS	3139	121	62201
0127	Socket, Fuse	2422	088	00271
0129	NTC, Holder.	3139	120	10151
0136	IC-Spring.	3104	301	22081
0137	Spring	3139	121	24581
0138	IC-Spring.	3104	301	22081
0139	Spring for Bracket	3122	121	24786
0141	IC-Spring.	3104	301	22081
0152	Cable, DIP, 6 Pin, 400mm	3104	301	09421
0153	Cable, DIPMate, 5 Pin, 480mm	3139	121	07951
0211	Connector, 2 Pin	2422	025	16269
S 0212	Connector, 2 Pin	2422	025	16375
0213	Connector, 2 Pin	2422	025	16374
0217	Connector, 6 Pin	2422	025	12482
0219	Connector, 6 Pin	2422	025	12482
S 0220	Connector, 5 Pin	2422	025	04853
S 0221	Connector, 4 Pin	2422	025	15503
S 0222	Connector, 2 Pin	2422	025	10646
0223	Socket, Cinch, 6 Pin	2422	026	05184
0225	Socket, MDIN, 10 Pin	2422	026	04926
0227	Connector, 6 Pin	2422	025	15849
0229	Connector, 3 Pin	2412	020	00725
0240	Connector, 7 Pin	2422	025	11244
0242	Connector, 7 Pin	2422	025	17042
S 0243	Connector, 6 Pin	2422	025	04854
0246	Connector, 5 Pin	2422	025	12481
0251	Connector, 3 Pin	2412	020	00725
0259	Connector, 5 Pin	2422	025	15848
0262	Connector, 3 Pin	2422	025	16937
0267	Connector, 3 Pin	2412	020	00725
1002	SAW Filter, 45MHz75, OFWML1971M	2422	549	44518
1200	Filter, Ceramic, 4MHz5	2422	549	40807
S 1500	Fuse, 4A, 250V, IEC.	2422	086	10869
S 1515	Relay, 12V, 5A G5PA-1.	2422	132	07444
1600	Switch, Tactile.	2422	128	02742
1601	Switch, Tactile.	2422	128	02742
1602	Switch, Tactile.	2422	128	02742
1603	Switch, Tactile.	2422	128	02742
1606	Switch, Tactile.	2422	128	02742
1660	Crystal, 12MHz000.	2422	543	01203
1831	Crystal, Resonator, 18MHz432, 12 Pin, HC49/U A	2422	543	00842
2004	Cap, 47n, 10%, 25v, Ceramic.	3198	023	4730
2005	Cap, 10u, 20%, 50v, Electrolytic	3198	025	51090
2006	Cap, 470u, 20%, 16v, Electrolytic.	3198	025	24710
2007	Cap, 100n, +80/-20%, 25v, Ceramic.	3198	023	21040
2008	Cap, 100u, 20%, 25v, Electrolytic.	3198	025	31010
2009	Cap, 22n, 10%, 50v, Ceramic.	3198	017	02230
2101	Cap, 470n, +80/-20%, 16v, Ceramic.	3198	017	24740
2102	Cap, 22p, 5%, 50v, Ceramic	3198	016	02290
2103	Cap, 330p, 10%, 50v, Ceramic	3198	017	03310
2104	Cap, 330p, 10%, 50v, Ceramic	3198	017	03310
2105	Cap, 10u, 20%, 50v, Electrolytic	3198	025	51090

S = Safety Part Be sure to use exact replacement part.

2106	Cap, 10u, 20%, 50v, Electrolytic	3198	025	51090
2122	Cap, 330p, 10%, 50v, Ceramic	3198	017	03310
2123	Cap, 2u2, +80/-20%, 10v, Ceramic	3198	017	22250
2124	Cap, 330p, 10%, 50v, Ceramic	3198	017	03310
2125	Cap, 2u2, +80/-20%, 10v, Ceramic	3198	017	22250
2135	Cap, 22p, 5%, 50v, Ceramic	3198	016	02290
2136	Cap, 22p, 5%, 50v, Ceramic	3198	016	02290
2184	Cap, 2u2, +80/-20%, 10v, Ceramic	3198	017	22250
2202	Cap, 100n, +80/-20%, 25v, Ceramic.	3198	023	21040
2203	Cap, 100n, +80/-20%, 25v, Ceramic.	3198	023	21040
2204	Cap, 100n, +80/-20%, 25v, Ceramic.	3198	023	21040
2205	Cap, 220n, +80/-20%, 25v, Ceramic.	3198	023	22240
2208	Cap, 100n, +80/-20%, 25v, Ceramic.	3198	023	21040
2209	Cap, 4u7, 20%, 50v, Electrolytic	3198	025	54780
2210	Cap, 1u, +80/-20%, 16v, Ceramic.	3198	017	21050
2211	Cap, 470n, +80/-20%, 16v, Ceramic.	3198	017	24740
2213	Cap, 22n, 10%, 50v, Ceramic.	3198	017	02230
2214	Cap, 22n, 10%, 50v, Ceramic.	3198	017	02230
2215	Cap, 22n, 10%, 50v, Ceramic.	3198	017	02230
2216	Cap, 1000u, 20%, 16v, Electrolytic	3198	026	21020
2217	Cap, 22n, 10%, 50v, Ceramic.	3198	017	02230
2219	Cap, 220n, +80/-20%, 25v, Ceramic.	3198	023	22240
2220	Cap, 470n, 10%, 50v, Polyester	3198	014	04740
2221	Cap, 22n, 10%, 50v, Ceramic.	3198	017	02230
2241	Cap, 1n5, 10%, 50v, Ceramic.	3198	017	01520
2242	Cap, 1u, +80/-20%, 16v, Ceramic.	3198	017	21050
2243	Cap, 2n2, 10%, 50v, Ceramic.	3198	017	02220
2244	Cap, 100n, 5%, 63v, Metalized Polyest er.	2222	370	76104
2245	Cap, 220n, +80/-20%, 25v, Ceramic.	3198	023	22240
2247	Cap, 1000u, 20%, 16v, Electrolytic	3198	026	21020
2248	Cap, 22n, 10%, 50v, Ceramic.	3198	017	02230
2249	Cap, 22n, 10%, 50v, Ceramic.	3198	017	02230
2250	Cap, 2u2, 20%, 50v, Electrolytic	3198	025	52280
2252	Cap, 1n, 5%, 50v, Ceramic.	3198	016	01020
2253	Cap, 1n, 5%, 50v, Ceramic.	3198	016	01020
2254	Res, Zero ohm, "Chip" Jumper	3198	021	90020
2405	Cap, 220u, 20%, 25v, Electrolytic.	3198	025	32210
2441	Cap, 1u, 20%, 50v, Electrolytic.	3198	025	51080
2443	Cap, 47n, +80/-20%, 50v, Ceramic	3198	017	24730
2444	Cap, 1u, 20%, 50v, Electrolytic.	3198	025	51080
2450	Cap, 47u, 20%, 160v, Electrolytic.	2020	021	91139
2451	Cap, 15n, 10%, 50v, Polyester.	3198	014	01530
2452	Res, Zero ohm, "Chip" Jumper	3198	021	90020
2455	Cap, 47u, 20%, 25v, Electrolytic	3198	025	34790
2457	Cap, 470n, 5%, 250v, Polypropylene	2222	479	90023
2458	Cap, 2u2, 20%, 100v, Electrolytic.	2020	021	91331
2459	Cap, 680p, 10%, 500v, Ceramic.	3198	019	46810
2460	Cap, 100p, 5%, 50v, Ceramic.	3198	016	01010
2462	Cap, 330n, 10%, 250v, Polypropylene	2022	333	00084
2463	Cap, 680p, 10%, 2000v, Ceramic	2020	558	90485
2465	Cap, 11n, 5%, 1600v, Polypropylene	2222	375	90155
2471	Cap, 100n, 10%, 50v, Polyester	3198	014	01040
2472	Cap, 150n, 10%, 63v, Polyester	2222	365	75154
2473	Cap, 100n, 10%, 63v, Polyester	2222	365	75104
2474	Cap, 2n2, 10%, 50v, Ceramic.	3198	017	02220
2475	Cap, 2n2, 10%, 50v, Ceramic.	3198	017	02220
2476	Cap, 4n7, 10%, 50v, Ceramic.	3198	017	04720
2480	Cap, 47u, 20%, 25v, Electrolytic	2020	021	90586
2481	Cap, 470p, 10%, 500v, Ceramic.	3198	019	44710
2482	Cap, 68n, 10%, 250v, Polyester	2222	347	90234
2485	Cap, 4u7, 20%, 250v, Electrolytic.	2020	021	90856
2486	Cap, 470u, 20%, 16v, Electrolytic.	2020	021	91577
2487	Cap, 47u, 20%, 50v, Electrolytic.	2020	021	90854
2488	Cap, 1000u, 20%, 16v, Electrolytic	2020	021	91049
2489	Cap, 470u, 20%, 16v, Electrolytic.	2020	021	91577
2491	Cap, 1n, 10%, 500v, Ceramic.	3198	019	41020
2500	Cap, 470n, 20%, 275v, Polypropylene.	2222	336	29148
2501	Cap, 2n2, 10%, 1000v, Ceramic.	3198	019	52220
2502	Cap, 2n2, 10%, 1000v, Ceramic.	3198	019	52220
2503	Cap, 470u, 20%, 200v, Electrolytic	2020	024	90626
2505	Cap, 2n2, 10%, 1000v, Ceramic.	3198	019	52220
2507	Cap, 470p, 10%, 50v, Ceramic	3198	017	04710
2508	Cap, 470p, 10%, 1000v, Ceramic	3198	019	64710
S 2515	Cap, 1n5, 20%, v, Ceramic.	2020	554	90128
2520	Cap, 100n, 10%, 16v, Ceramic	3198	017	01040
2521	Cap, 22u, 20%, 50v, Electrolytic	3198	025	52290
2522	Cap, 100n, 10%, 16v, Ceramic	3198	017	01040
2523	Cap, 1n5, 10%, 2000v, Ceramic.	2020	558	90489
2525	Cap, 470p, 10%, 50v, Ceramic	3198	017	04710
2527	Cap, 2n2, 10%, 50v, Ceramic.	3198	017	02220
2528	Cap, 1n, 10%, 50v, Ceramic	3198	017	01020
2540	Cap, 10n, 10%, 50v, Ceramic.	3198	017	01030
2560	Cap, 680p, 10%, 1000v, Ceramic	3198	019	66810
2561	Cap, 100u, 20%, 160v, Electrolytic	2020	021	91654
2562	Cap, 1n, 10%, 50v, Ceramic	3198	019	11020
2563	Cap, 100n, 10%, 50v, Polyester	3198	014	01040

PCW227S321 (continued)

2602	Cap, 100p, 5%, 50v, Ceramic	3198 016 01010	3212	Res, 470 ohm, 5%, 1/10W, Metalized Gl	
2606	Cap, 1n, 10%, 50v, Ceramic	3198 017 01020		ass.	3198 021 54710
2607	Cap, 33p, 5%, 50v, Ceramic	3198 016 03390	3213	Res, 560 ohm, 5%, 1/6W, Carbon Film.	3198 011 05610
2608	Cap, 1u, +80/-20%, 16v, Ceramic.	3198 017 21050	3217	Res, 330K, 5%, 1/10W, Metalized Glass	3198 021 53340
2609	Cap, 33p, 5%, 50v, Ceramic	3198 016 03390	3218	Res, 82K, 5%, 1/10W, Metalized Glass	3198 021 58230
2611	Cap, 1u, +80/-20%, 16v, Ceramic.	3198 017 21050	3219	Res, 2K2, 5%, 1/10W, Metalized Glass	3198 021 52220
2612	Cap, 68p, 5%, 50v, Ceramic	3198 016 06890	3220	Res, 100 ohm, 5%, 1/6W, Carbon Film.	3198 011 01010
2613	Cap, 68p, 5%, 50v, Ceramic	3198 016 06890	3221	Res, 560 ohm, 5%, 1/6W, Carbon Film.	3198 011 05610
2615	Cap, 1n, 10%, 50v, Ceramic	3198 017 01020	3222	Res, 100 ohm, 5%, 1/6W, Carbon Film.	3198 011 01010
2616	Cap, 470n, +80/-20%, 16v, Ceramic.	3198 017 24740	3223	Res, 100 ohm, 5%, 1/10W, Metalized Gl	
2618	Cap, 1u, +80/-20%, 16v, Ceramic.	3198 017 21050		ass.	3198 021 51010
2619	Cap, 1u, +80/-20%, 16v, Ceramic.	3198 017 21050	3226	Res, 560 ohm, 5%, 1/10W, Metalized Gl	
2691	Cap, 220u, 20%, 25v, Electrolytic.	3198 025 32210		ass.	3198 021 55610
2801	Cap, 22u, 20%, 50v, Electrolytic	3198 025 52290	3235	Res, 100 ohm, 5%, 1/6W, Carbon Film.	3198 011 01010
2802	Cap, 220n, +80/-20%, 25v, Ceramic.	3198 023 22240	3241	Res, 22K, 5%, 1/10W, Metalized Glass	3198 021 52230
2803	Cap, 2u2, +80/-20%, 10v, Ceramic	3198 017 22250	3242	Res, 12K, 5%, 1/10W, Metalized Glass	3198 021 51230
2804	Cap, 2u2, +80/-20%, 10v, Ceramic	3198 017 22250	3244	Res, 820 ohm, 5%, 1/6W, Carbon Film.	3198 011 08210
2805	Res, Zero ohm, "Chip" Jumper	3198 021 90020	3245	Res, 39K, 1%, 1/8W, Metalized Glass.	2322 734 63903
2806	Res, Zero ohm, "Chip" Jumper	3198 021 90020	3246	Res, 10K, 5%, 1/10W, Metalized Glass	3198 021 51030
2831	Cap, 1p, 25%, 50v, Ceramic	3198 016 01080	3247	Res, 680K, 5%, 1/10W, Metalized Glass	3198 021 56840
2832	Cap, 1p, 25%, 50v, Ceramic	3198 016 01080	3248	Res, 33K, 5%, 1/10W, Metalized Glass	3198 021 53330
2833	Cap, 47p, 5%, 50v, Ceramic	3198 016 04790	3249	Res, 820 ohm, 5%, 1/6W, Carbon Film.	3198 011 08210
2834	Cap, 470p, 5%, 50v, Ceramic.	3198 016 04710	3250	Res, 8K2, 5%, 1/6W, Carbon Film.	3198 011 08220
2835	Cap, 220p, 5%, 50v, Ceramic.	3198 016 02210	3251	Res, 100 ohm, 5%, 1/6W, Carbon Film.	3198 011 01010
2836	Cap, 1n5, 10%, 50v, Ceramic.	3198 017 01520	3256	Res, 1K, 5%, 1/10W, Metalized Glass.	3198 021 51020
2837	Cap, 4u7, 20%, 50v, Electrolytic	3198 025 54780	3257	Res, 10M, 5%, 1/10W, Metalized Glass	3198 021 51060
2840	Cap, 100n, +80/-20%, 25v, Ceramic.	3198 023 21040	3258	Res, 100K, 5%, 1/10W, Metalized Glass	3198 021 51040
2841	Cap, 10u, 20%, 50v, Electrolytic	3198 025 51090	3259	Res, 470K, 5%, 1/10W, Metalized Glass	3198 021 54740
2842	Cap, 100n, +80/-20%, 25v, Ceramic.	3198 023 21040	3441	Res, 100 ohm, 5%, 1/10W, Metalized Gl	
2843	Cap, 10u, 20%, 50v, Electrolytic	3198 025 51090		ass.	3198 021 51010
2844	Cap, 10u, 20%, 50v, Electrolytic	3198 025 51090	3442	Res, Zero ohm, "Chip" Jumper	3198 021 90020
2845	Cap, 100n, +80/-20%, 25v, Ceramic.	3198 023 21040	3443	Res, 1M, 5%, 1/10W, Metalized Glass.	3198 021 51050
2846	Cap, 100u, 20%, 25v, Electrolytic.	3198 025 31010	3445	Res, 15K, 5%, 1/6W, Carbon Film.	3198 011 01530
2849	Cap, 1n, 5%, 50v, Ceramic.	3198 016 01020	3446	Res, 5K6, 5%, 1/6W, Carbon Film.	3198 011 05620
2850	Cap, 1n, 5%, 50v, Ceramic.	3198 016 01020	3447	Res, 180 ohm, 5%, 1/6W, Carbon Film.	3198 011 01810
2851	Cap, 4u7, +80/-20%, 10v, Ceramic	2020 552 96305	3448	Res, 820 ohm, 5%, 1/6W, Carbon Film.	3198 011 08210
2852	Cap, 1n, 5%, 50v, Ceramic.	3198 016 01020	3449	Res, 68 ohm, 5%, 1/6W, Carbon Film	3198 011 06890
2853	Cap, 4u7, +80/-20%, 10v, Ceramic	2020 552 96305	3450	Res, 33 ohm, 5%, 1/6W, Carbon Film	3198 011 03390
2854	Cap, 1n, 5%, 50v, Ceramic.	3198 016 01020	S 3451	Res, 10 ohm, 5%, 1/3W, Metal Film.	2306 204 03109
2855	Cap, 33p, 5%, 50v, Ceramic	3198 016 03390	3452	Res, 10K, 1%, 3/5W, Metal Film	2312 915 11003
2856	Cap, 47p, 5%, 50v, Ceramic	3198 016 04790	3453	Res, 1K, 5%, 1/6W, Carbon Film	3198 011 01020
2857	Cap, 150p, 5%, 50v, Ceramic.	3198 016 01510	3454	Res, 3K9, 1%, 3/5W, Metal Film	2312 915 13902
2860	Cap, 180p, 5%, 50v, Ceramic.	3198 016 01810	3455	Res, 6R8, 5%, 1/3W, Metal Film	3198 012 26880
2894	Cap, 220p, 5%, 50v, Ceramic.	3198 016 02210	3456	Res, Zero ohm, "Chip" Jumper	3198 021 90020
2895	Cap, 560p, 5%, 50v, Ceramic.	3198 016 05610	3457	Res, Zero ohm, "Chip" Jumper	3198 021 90020
2897	Cap, 390p, 5%, 50v, Ceramic.	3198 016 03910	3458	Res, 1K, 5%, 1/6W, Carbon Film	3198 011 01020
2898	Cap, 10n, 10%, 50v, Ceramic.	3198 017 01030	3459	Res, 15K, 5%, 1/3W, Metal Film	3198 012 21530
2902	Cap, 1000u, 20%, 16v, Electrolytic	3198 026 21020	3460	Res, 3K9, 5%, 1/6W, Carbon Film.	3198 011 03920
2903	Cap, 1u, 20%, 50v, Electrolytic.	3198 025 51080	3463	Res, 33 ohm, 5%, 1/6W, Carbon Film	3198 011 03390
2904	Cap, 470n, +80/-20%, 16v, Ceramic.	3198 017 24740	3465	Res, 27K, 1%, 3/5W, Metal Film	2312 915 12703
2905	Cap, 1n, 10%, 50v, Ceramic	3198 017 01020	3468	Res, 220 ohm, 5%, 1/6W, Carbon Film.	3198 011 02210
2906	Cap, 470n, +80/-20%, 16v, Ceramic.	3198 017 24740	3469	Res, 3K3, 5%, 1/6W, Carbon Film.	3198 011 03320
2907	Cap, 1n, 10%, 50v, Ceramic	3198 017 01020	3470	Res, 330K, 5%, 1/10W, Metalized Glass	3198 021 53340
2908	Cap, 10u, 20%, 50v, Electrolytic	3198 025 51090	3471	Res, 3R3, 1%, 3/5W, Metal Film	2312 915 13308
2910	Cap, 3n3, 10%, 50v, Ceramic.	3198 017 03320	3472	Res, 3R3, 1%, 3/5W, Metal Film	2312 915 13308
2911	Cap, 3n3, 10%, 50v, Ceramic.	3198 017 03320	3473	Res, 3R3, 1%, 3/5W, Metal Film	2312 915 13308
2950	Cap, 330p, 5%, 50v, Ceramic.	3198 016 03310	3474	Res, 2K2, 1%, 3/5W, Metal Film	2312 915 12202
3000	Res, 100 ohm, 5%, 1/6W, Carbon Film.	3198 011 01010	3475	Res, 2K2, 1%, 3/5W, Metal Film	2312 915 12202
3001	Res, 100 ohm, 5%, 1/6W, Carbon Film.	3198 011 01010	3477	Res, 150 ohm, 5%, 1/6W, Carbon Film.	3198 011 01510
3002	Res, Zero ohm, "Chip" Jumper	3198 021 90020	3478	Res, 150 ohm, 5%, 1/6W, Carbon Film.	3198 011 01510
3003	Res, 1K5, 5%, 1/10W, Metalized Glass	3198 021 51520	3479	Res, 2K7, 5%, 1/10W, Metalized Glass	3198 021 52720
3004	Res, 8K2, 5%, 1/10W, Metalized Glass	3198 021 58220	3480	Res, 1R5, 5%, 1/4W, Carbon Film.	2120 101 74158
3005	Res, 100 ohm, 5%, 1/6W, Carbon Film.	3198 011 01010	3481	Res, 12K, 1%, 3/5W, Metal Film	2312 915 11203
3101	Res, 68 ohm, 5%, 1/6W, Carbon Film	3198 011 06890	3482	Res, 12K, 1%, 3/5W, Metal Film	2312 915 11203
3102	Res, 1K, 5%, 1/10W, Metalized Glass.	3198 021 51020	3484	Res, 3K9, 5%, 1/6W, Carbon Film.	3198 011 03920
3103	Res, 150 ohm, 5%, 1/6W, Carbon Film.	3198 011 01510	3486	Res, 33 ohm, 5%, 2 1/2W, Metal Film.	3198 012 33390
3104	Res, 220K, 5%, 1/10W, Metalized Glass	3198 021 52240	3488	Res, 4R7, 5%, 1/2W, Metal Film	2306 207 03478
3105	Res, 150 ohm, 5%, 1/6W, Carbon Film.	3198 011 01510	3490	Res, 8K2, 5%, 1/6W, Carbon Film.	3198 011 08220
3106	Res, 220K, 5%, 1/10W, Metalized Glass	3198 021 52240	3492	Res, 1K, 5%, 1/10W, Metalized Glass.	3198 021 51020
3122	Wire Jumper, 0.58MM.	3198 036 90010	3493	Res, 6R8, 5%, 1/3W, Metal Film	2306 204 03688
3123	Res, 150 ohm, 5%, 1/6W, Carbon Film.	3198 011 01510	3494	Res, 4R7, 5%, 1/2W, Metal Film	2306 207 03478
3124	Res, 47K, 5%, 1/10W, Metalized Glass	3198 021 54730	3495	Res, 22K, 5%, 1/10W, Metalized Glass	3198 021 52230
3125	Res, 150 ohm, 5%, 1/6W, Carbon Film.	3198 011 01510	3496	Res, 100K, 5%, 1/10W, Metalized Glass	3198 021 51040
3126	Res, 47K, 5%, 1/10W, Metalized Glass	3198 021 54730	3497	Res, 100K, 5%, 1/10W, Metalized Glass	3198 021 51040
3136	Wire Jumper, 0.58MM.	3198 036 90010	3498	Res, 12K, 5%, 1/10W, Metalized Glass	3198 021 51230
3138	Wire Jumper, 0.58MM.	3198 036 90010	3499	Res, 10K, 5%, 1/10W, Metalized Glass	3198 021 51030
3151	Res, 680 ohm, 5%, 1/10W, Metalized Gl		S 3500	Res, 3M3, 5%, 1/2W, Metalized Glass.	2322 242 13335
	ass.	3198 021 56810	S 3501	Res, 3M3, 5%, 1/2W, Metalized Glass.	2322 242 13335
3152	Res, 680 ohm, 5%, 1/10W, Metalized Gl		S 3504	PTC, DC, 120V,P3020 B.	2120 661 00025
	ass.	3198 021 56810	S 3506	Res, 1M5, 5%, 1/2W, Metalized Glass.	2322 242 13155
3153	Res, 680 ohm, 5%, 1/10W, Metalized Gl		S 3507	Surge Protector.	2422 549 43073
	ass.	3198 021 56810	S 3508	Res, 220 ohm, 20%, 1/2W, Carbon Film	3198 013 02210
3200	Res, 390 ohm, 5%, 1/6W, Carbon Film.	3198 011 03910	S 3510	NTC, DC, B57237, 3W1, 4R7, 20%	2122 612 00056
3201	Res, 100 ohm, 5%, 1/6W, Carbon Film.	3198 011 01010	3519	Res, 270 ohm, 5%, 1/6W, Carbon Film.	3198 011 02710
3202	Res, 100 ohm, 5%, 1/6W, Carbon Film.	3198 011 01010	3520	Res, 1K2, 5%, 1/10W, Metalized Glass	3198 021 51220
3203	Res, 100 ohm, 5%, 1/6W, Carbon Film.	3198 011 01010	3521	Res, 4R7, 5%, 1/6W, Carbon Film.	3198 011 04780
3204	Res, 22K, 5%, 1/6W, Carbon Film.	3198 011 02230	3522	Res, 330K, 1%, 1/8W, Metalized Glass	2322 734 63304
3206	Res, 33K, 5%, 1/10W, Metalized Glass	3198 021 53330	S 3523	Res, 100 ohm, 5%, 1/3W, Metal Film	2306 204 03101
3207	Res, 1K, 5%, 1/6W, Carbon Film	3198 011 01020	3524	Res, 56K, 5%, 1/10W, Metalized Glass	3198 021 55630
3208	Res, 220 ohm, 5%, 1/10W, Metalized Gl		3525	Res, 1K, 5%, 1/10W, Metalized Glass.	3198 021 51020
	ass.	3198 021 52210	3526	Res, 0R1, 5%, 3/5W, Metal Film	3198 012 11070
3209	Res, 68 ohm, 5%, 1/10W, Metalized Gla		3527	Res, 0R33, 5%, 3/5W, Metal Film.	3198 012 13370
	ss.	3198 021 56890			

S = Safety Part. Be sure to use exact replacement part.

PCW227S321 (continued)

3528	Res, Zero ohm, "Chip" Jumper	3198	021	90020	4604	Res, 3K3, 5%, 1/10W, Metalized Glass	3198	021	53320
3529	Res, 47K, 5%, 1/10W, Metalized Glass	3198	021	54730	4613	Res, Zero ohm, "Chip" Jumper	3198	021	90020
3530	Res, 10K, 5%, 1/10W, Metalized Glass	3198	021	51030	4614	Res, Zero ohm, "Chip" Jumper	3198	021	90020
3531	Res, 4K7, 5%, 1/10W, Metalized Glass	3198	021	54720	4615	Res, Zero ohm, "Chip" Jumper	3198	021	90020
S 3532	Res, 2K2, 5%, 1/3W, Metal Film	2306	204	03222	4617	Res, Zero ohm, "Chip" Jumper	3198	021	90020
3541	Res, 470 ohm, 5%, 1/10W, Metalized Gl				4619	Res, Zero ohm, "Chip" Jumper	3198	021	90020
	ass.	3198	021	54710	4622	Res, Zero ohm, "Chip" Jumper	3198	021	90020
3542	Res, 1K5, 5%, 1/10W, Metalized Glass	3198	021	51520	4623	Res, Zero ohm, "Chip" Jumper	3198	021	90020
3543	Res, 82K, 1%, 3/5W, Metal Film	2312	915	18203	4691	Res, Zero ohm, "Chip" Jumper	3198	021	90020
3544	Res, 4K7, 1%, 1/8W, Metalized Glass.	2322	734	64702	4692	Res, Zero ohm, "Chip" Jumper	3198	021	90020
3545	Res, 270K, 5%, 1/8W, Metalized Glass	2322	730	61274	4693	Res, Zero ohm, "Chip" Jumper	3198	021	90020
3548	Res, 15K, 5%, 1/10W, Metalized Glass	3198	021	51530	4696	Res, Zero ohm, "Chip" Jumper	3198	021	90020
3558	Res, 330 ohm, 5%, 1W, Metal Film . . .	3198	012	13310	4811	Res, Zero ohm, "Chip" Jumper	3198	021	90020
3561	Res, 100 ohm, 5%, 1/6W, Carbon Film.	3198	011	01010	4831	Res, Zero ohm, "Chip" Jumper	3198	021	90020
3562	Res, 12K, 5%, 1/10W, Metalized Glass	3198	021	51230	4833	Res, Zero ohm, "Chip" Jumper	3198	021	90020
3563	Res, 5K6, 5%, 1/10W, Metalized Glass	3198	021	55620	4835	Res, Zero ohm, "Chip" Jumper	3198	021	90020
3564	Res, 0R1, 5%, 1/3W, Metal Film	3198	012	21070	4901	Res, Zero ohm, "Chip" Jumper	3198	021	90020
3580	Res, 47K, 5%, 1/10W, Metalized Glass	3198	021	54730	4903	Res, Zero ohm, "Chip" Jumper	3198	021	90020
3594	Res, 330 ohm, 5%, 1/10W, Metalized Gl				4982	Res, Zero ohm, "Chip" Jumper	3198	021	90020
	ass.	3198	021	53310	5001	Coil, 27u.	3198	018	22790
3595	Res, 220K, 5%, 1/10W, Metalized Glass	3198	021	52240	5002	Coil, 820n	3198	018	18270
3596	Res, 220K, 5%, 1/10W, Metalized Glass	3198	021	52240	5201	Coil, 6u8.	3198	018	16880
3601	Res, 8K2, 5%, 1/6W, Carbon Film. . . .	3198	011	08220	5202	Wire Jumper, 0.58MM.	3198	036	90010
3603	Res, 100 ohm, 5%, 1/6W, Carbon Film.	3198	011	01010	5204	Fixed, Inductor, 100MHZ, 80 ohm. . . .	3198	018	90020
3604	Res, 100 ohm, 5%, 1/6W, Carbon Film.	3198	011	01010	5205	Fixed, Inductor, 100MHZ, 80 ohm. . . .	3198	018	90020
3605	Res, 4K7, 5%, 1/10W, Metalized Glass	3198	021	54720	5206	Fixed, Inductor, 100MHZ, 80 ohm. . . .	3198	018	90020
3606	Res, 2K2, 5%, 1/6W, Carbon Film. . . .	3198	011	02220	5241	Wire Jumper, 0.58MM.	3198	036	90010
3607	Res, 2K2, 5%, 1/6W, Carbon Film. . . .	3198	011	02220	5242	Coil, 10u.	3198	018	11090
3608	Res, 100 ohm, 5%, 1/6W, Carbon Film.	3198	011	01010	S 5445	Transformer, SLOT, 1342.0043B Y. . . .	2422	531	02506
3609	Res, 1K, 5%, 1/6W, Carbon Film	3198	011	01020	5451	Coil, 33u.	3198	018	73390
3610	Res, 8K2, 5%, 1/6W, Carbon Film. . . .	3198	011	08220	5452	Fixed, Inductor, 100MHZ, 80 ohm. . . .	3198	018	90020
3611	Res, 100 ohm, 5%, 1/10W, Metalized Gl				5457	Coil, 42u.	2422	535	94865
	ass.	3198	021	51010	5461	Transformer, Signal Driver, SC10015-0			
3618	Res, 6K8, 5%, 1/6W, Carbon Film. . . .	3198	011	06820		0 B.	2422	531	02465
3622	Res, 100 ohm, 5%, 1/10W, Metalized Gl				5471	Coil, 3u3.	3198	018	73380
	ass.	3198	021	51010	5472	Coil, 3u3.	3198	018	23380
3623	Res, 4K7, 5%, 1/10W, Metalized Glass	3198	021	54720	5480	Coil, 39u.	2422	535	97336
3624	Res, 100 ohm, 5%, 1/6W, Carbon Film.	3198	011	01010	S 5501	Filter, Mains, 5mH, 2A	2422	549	43432
3625	Res, 100 ohm, 5%, 1/6W, Carbon Film.	3198	011	01010	S 5520	Transformer, Layer, SS39009-04 B	2422	531	02459
3626	Res, 4K7, 5%, 1/10W, Metalized Glass	3198	021	54720	5521	Fixed, Inductor, 100MHZ, 50R.	3198	018	90010
3627	Res, 4K7, 5%, 1/10W, Metalized Glass	3198	021	54720	5560	Fixed, Inductor, 100MHZ, 50R.	3198	018	90010
3628	Res, 10K, 5%, 1/10W, Metalized Glass	3198	021	51030	5561	Coil, 27u.	3198	018	22790
3630	Res, 2K2, 5%, 1/10W, Metalized Glass	3198	021	52220	5562	Fixed, Inductor, 100MHZ, 50R.	3198	018	90010
3632	Res, Zero ohm, "Chip" Jumper	3198	021	90020	5564	Fixed, Inductor, 100MHZ, 50R.	3198	018	90010
3636	Res, 100 ohm, 5%, 1/10W, Metalized Gl				5602	Coil, 5u6.	3198	018	15680
	ass.	3198	021	51010	5603	Coil, 5u6.	3198	018	15680
3639	Res, Zero ohm, "Chip" Jumper	3198	021	90020	5604	Coil, 5u6.	3198	018	15680
3681	Res, 390 ohm, 5%, 1/10W, Metalized Gl				5831	Coil, 6u8.	3198	018	16880
	ass.	3198	021	53910	5832	Coil, 6u8.	3198	018	16880
3682	Res, 3K3, 5%, 1/10W, Metalized Glass	3198	021	53320	5833	Coil, 6u8.	3198	018	16880
3683	Res, 390 ohm, 5%, 1/10W, Metalized Gl				5835	Coil, 12u.	3198	018	31290
	ass.	3198	021	53910	6001	Zener Diode, 33 volt	3198	010	23390
3684	Res, 560 ohm, 5%, 1/10W, Metalized Gl				6201	Diode, Signal, BAS316.	3198	010	10630
	ass.	3198	021	55610	6202	Diode, Signal, BAS316.	3198	010	10630
3685	Res, 560 ohm, 5%, 1/10W, Metalized Gl				6206	Zener Diode, 6.8 volt.	3198	020	56880
	ass.	3198	021	55610	6445	Zener Diode, 10 volt	3198	020	51090
3686	Res, 1K5, 5%, 1/10W, Metalized Glass	3198	021	51520	6447	Diode, Signal, 1N4148.	3198	010	10010
3691	Res, 330 ohm, 5%, 1/10W, Metalized Gl				6448	Zener Diode, 6.2 volt.	9331	668	30133
	ass.	3198	021	53310	6449	Diode, Signal, BAV99	3198	010	10620
3693	Res, 220 ohm, 5%, 1/10W, Metalized Gl				6453	Zener Diode, 6.8 volt.	3198	020	56880
	ass.	3198	021	52210	6460	Diode, Rect, BY228/24	9340	559	50112
3801	Res, 220 ohm, 5%, 1/6W, Carbon Film.	3198	011	02210	6461	Diode, Rect, RGP30J-L7004	9338	617	60682
3802	Res, 1K, 5%, 1/6W, Carbon Film	3198	011	01020	6462	Zener Diode, 9.1 volt.	9331	177	80133
3831	Res, 47K, 5%, 1/10W, Metalized Glass	3198	021	54730	6465	Diode, Signal, BAV21	3198	010	10070
3832	Res, 100 ohm, 5%, 1/6W, Carbon Film.	3198	011	01010	6466	Diode, Signal, BAV21	3198	010	10070
3833	Res, 100 ohm, 5%, 1/6W, Carbon Film.	3198	011	01010	6467	Diode, Signal, BAS316.	3198	010	10630
3836	Res, 1K, 5%, 1/10W, Metalized Glass.	3198	021	51020	6468	Diode, Signal, BAS316.	3198	010	10630
3837	Res, 100 ohm, 5%, 1/6W, Carbon Film.	3198	011	01010	6469	Diode, Rect, BYD33J	9337	234	20133
3838	Res, 1K, 5%, 1/10W, Metalized Glass.	3198	021	51020	6470	Diode, Signal, BAV99	3198	010	10620
3839	Res, 100 ohm, 5%, 1/6W, Carbon Film.	3198	011	01010	6476	Zener Diode, 15 volt	3198	010	21590
3843	Res, 2K2, 5%, 1/10W, Metalized Glass	3198	021	52220	6481	Zener Diode, 5.6 volt.	3198	010	25680
3901	Res, 1K, 5%, 1/10W, Metalized Glass.	3198	021	51020	6482	Zener Diode, 9.1 volt.	9331	177	80133
3902	Res, 3K3, 5%, 1/10W, Metalized Glass	3198	021	53320	6483	Zener Diode, 33 volt	3198	010	23390
3903	Res, 3K3, 5%, 1/10W, Metalized Glass	3198	021	53320	6485	Diode, Rect, BYD33J	9337	234	20133
3904	Res, 10K, 5%, 1/10W, Metalized Glass	3198	021	51030	6486	Diode, Rect, EGP20DL-5100	9322	164	42682
3905	Res, 3K3, 5%, 1/10W, Metalized Glass	3198	021	53320	6487	Diode, Rect, BYD33D	9337	234	00133
3906	Res, 10K, 5%, 1/10W, Metalized Glass	3198	021	51030	6488	Diode, Rect, EGP20DL-5100	9322	164	42682
3907	Res, 8K2, 5%, 1/10W, Metalized Glass	3198	021	58220	6500	Diode, Bridge Rect, GBU4JL-7002	9322	132	55667
4001	Res, Zero ohm, "Chip" Jumper	3198	021	90020	6520	Diode, Rect, BYD33D	9337	234	00133
4002	Res, Zero ohm, "Chip" Jumper	3198	021	90020	6523	Diode, Signal, 1N4148.	3198	010	10010
4101	Res, Zero ohm, "Chip" Jumper	3198	021	90020	6524	Diode, Rect, 1N5062	3198	010	10120
4102	Res, Zero ohm, "Chip" Jumper	3198	021	90020	6525	Diode, Rect, 1N5062	3198	010	10120
4104	Res, Zero ohm, "Chip" Jumper	3198	021	90020	6526	Zener Diode, 22 volt	3198	020	52290
4121	Res, Zero ohm, "Chip" Jumper	3198	021	90020	6540	Zener Diode, 6.2 volt.	9331	668	30133
4181	Res, Zero ohm, "Chip" Jumper	3198	021	90020	6541	Zener Diode, 10 volt	3198	020	51090
4209	Res, Zero ohm, "Chip" Jumper	3198	021	90020	6560	Diode, Rect, BYV29X-500	9340	555	59127
4216	Res, Zero ohm, "Chip" Jumper	3198	021	90020	6561	Diode, Rect, SB340L-7010.	9322	128	18682
4217	Res, Zero ohm, "Chip" Jumper	3198	021	90020	6563	Diode, Signal, BAS316.	3198	010	10630
4401	Res, Zero ohm, "Chip" Jumper	3198	021	90020	6565	Diode, Signal, BAV70	9331	849	10215
4402	Res, Zero ohm, "Chip" Jumper	3198	021	90020	6580	Diode, Signal, BAS316.	3198	010	10630
4430	Res, Zero ohm, "Chip" Jumper	3198	021	90020	6681	Diode, Signal, BAT85	9336	247	60133
4500	Res, Zero ohm, "Chip" Jumper	3198	021	90020	6691	LED, LTL-10224WHCR.	9322	050	99682

S = Safety Part Be sure to use exact replacement part.

PCW227S321 (continued)

6692	IR Receiver, TSOP1836UH3V	9322	127	54667	9615	Wire Jumper, 0.58MM.	3198	036	90010
6831	Diode, Signal, 1N4148.	3198	010	10010	9616	Wire Jumper, 0.58MM.	3198	036	90010
6901	Res, Zero ohm, "Chip" Jumper	3198	021	90020	9617	Wire Jumper, 0.58MM.	3198	036	90010
7101	Transistor, NPN, BC847B.	3198	010	42030	9618	Wire Jumper, 0.58MM.	3198	036	90010
7200	IC, TDA9588H/N1/3.	9352	693	09557	9619	Wire Jumper, 0.58MM.	3198	036	90010
7201	Transistor, NPN, BC847B.	3198	010	42030	9620	Wire Jumper, 0.58MM.	3198	036	90010
7204	Transistor, PNP, BC857B.	3198	010	42150	9621	Wire Jumper, 0.58MM.	3198	036	90010
7205	Transistor, PNP, BC857B.	3198	010	42150	9622	Wire Jumper, 0.58MM.	3198	036	90010
7441	Transistor, PNP, BC857B.	3198	010	42150	9623	Wire Jumper, 0.58MM.	3198	036	90010
7443	Transistor, PNP, BC557B.	3198	020	40110	9624	Wire Jumper, 0.58MM.	3198	036	90010
7450	Transistor, PNP, PDTA114ET	3198	010	44010	9625	Wire Jumper, 0.58MM.	3198	036	90010
7460	Transistor, NPN, BU4508DX.	9340	550	92127	9626	Wire Jumper, 0.58MM.	3198	036	90010
7461	Transistor, NPN, BC337-25.	3198	020	43530	9627	Wire Jumper, 0.58MM.	3198	036	90010
7462	Transistor, NPN, PDT143ZT	9340	547	00215	9628	Wire Jumper, 0.58MM.	3198	036	90010
7463	Transistor, PNP, BC327-25.	3198	020	43430	9629	Wire Jumper, 0.58MM.	3198	036	90010
7471	IC, TDA8359J/N2.	9352	701	64112	9630	Wire Jumper, 0.58MM.	3198	036	90010
7480	Transistor, NPN, BD135	3198	020	41010	9631	Wire Jumper, 0.58MM.	3198	036	90010
7482	Transistor, NPN, BD135	3198	020	41010	9632	Wire Jumper, 0.58MM.	3198	036	90010
S 7515	Optic, Coupler, TCET1104(G).	9322	175	72667	9633	Wire Jumper, 0.58MM.	3198	036	90010
7520	IC, TEA1507P/N1.	9352	673	56112	9634	Wire Jumper, 0.58MM.	3198	036	90010
7521	FET Power, STP8NC50FP.	9322	160	72687	9637	Wire Jumper, 0.58MM.	3198	036	90010
7522	Transistor, NPN, BC847B.	3198	010	42030	9638	Wire Jumper, 0.58MM.	3198	036	90010
7540	Transistor, NPN, BC547B.	3198	020	40030	9639	Wire Jumper, 0.58MM.	3198	036	90010
7560	IC, L78L33ACZ.	9322	134	92676	9640	Wire Jumper, 0.58MM.	3198	036	90010
7561	Transistor, NPN, PDT143ZT	9340	547	00215	9641	Wire Jumper, 0.58MM.	3198	036	90010
7580	Transistor, PNP, BC857B.	3198	010	42150	9642	Wire Jumper, 0.58MM.	3198	036	90010
7602	IC, M24C16-WBN6.	9322	147	25682	9643	Wire Jumper, 0.58MM.	3198	036	90010
7801	IC, HEF4052BT.	9333	729	50653	9644	Wire Jumper, 0.58MM.	3198	036	90010
7802	IC, HEF4053BT.	9333	729	60653	9645	Wire Jumper, 0.58MM.	3198	036	90010
7831	IC, MSP3445G-PO-B8	9322	160	81682	9646	Wire Jumper, 0.58MM.	3198	036	90010
7901	IC, AN7522N	9322	181	41682	9648	Wire Jumper, 0.58MM.	3198	036	90010
9001	Wire Jumper, 0.58MM.	3198	036	90010	9650	Wire Jumper, 0.58MM.	3198	036	90010
9111	Wire Jumper, 0.58MM.	3198	036	90010	9654	Wire Jumper, 0.58MM.	3198	036	90010
9112	Wire Jumper, 0.58MM.	3198	036	90010	9655	Wire Jumper, 0.58MM.	3198	036	90010
9113	Wire Jumper, 0.58MM.	3198	036	90010	9656	Wire Jumper, 0.58MM.	3198	036	90010
9121	Wire Jumper, 0.58MM.	3198	036	90010	9657	Wire Jumper, 0.58MM.	3198	036	90010
9122	Wire Jumper, 0.58MM.	3198	036	90010	9658	Wire Jumper, 0.58MM.	3198	036	90010
9171	Wire Jumper, 0.58MM.	3198	036	90010	9659	Wire Jumper, 0.58MM.	3198	036	90010
9172	Wire Jumper, 0.58MM.	3198	036	90010	9660	Wire Jumper, 0.58MM.	3198	036	90010
9173	Wire Jumper, 0.58MM.	3198	036	90010	9661	Wire Jumper, 0.58MM.	3198	036	90010
9175	Wire Jumper, 0.58MM.	3198	036	90010	9662	Wire Jumper, 0.58MM.	3198	036	90010
9176	Wire Jumper, 0.58MM.	3198	036	90010	9663	Wire Jumper, 0.58MM.	3198	036	90010
9178	Wire Jumper, 0.58MM.	3198	036	90010	9664	Wire Jumper, 0.58MM.	3198	036	90010
9179	Wire Jumper, 0.58MM.	3198	036	90010	9665	Wire Jumper, 0.58MM.	3198	036	90010
9181	Wire Jumper, 0.58MM.	3198	036	90010	9666	Wire Jumper, 0.58MM.	3198	036	90010
9182	Wire Jumper, 0.58MM.	3198	036	90010	9668	Wire Jumper, 0.58MM.	3198	036	90010
9183	Wire Jumper, 0.58MM.	3198	036	90010	9669	Wire Jumper, 0.58MM.	3198	036	90010
9192	Wire Jumper, 0.58MM.	3198	036	90010	9670	Wire Jumper, 0.58MM.	3198	036	90010
9193	Wire Jumper, 0.58MM.	3198	036	90010	9672	Coil, 27u.	2422	535	95366
9406	Wire Jumper, 0.58MM.	3198	036	90010	9674	Wire Jumper, 0.58MM.	3198	036	90010
9407	Wire Jumper, 0.58MM.	3198	036	90010	9675	Wire Jumper, 0.58MM.	3198	036	90010
9408	Wire Jumper, 0.58MM.	3198	036	90010	9676	Wire Jumper, 0.58MM.	3198	036	90010
9409	Wire Jumper, 0.58MM.	3198	036	90010	9678	Coil, 27u.	2422	535	95366
9410	Wire Jumper, 0.58MM.	3198	036	90010	9679	Wire Jumper, 0.58MM.	3198	036	90010
9411	Wire Jumper, 0.58MM.	3198	036	90010	9680	Wire Jumper, 0.58MM.	3198	036	90010
9412	Wire Jumper, 0.58MM.	3198	036	90010	9683	Wire Jumper, 0.58MM.	3198	036	90010
9413	Wire Jumper, 0.58MM.	3198	036	90010	9685	Wire Jumper, 0.58MM.	3198	036	90010
9415	Wire Jumper, 0.58MM.	3198	036	90010	9686	Wire Jumper, 0.58MM.	3198	036	90010
9416	Wire Jumper, 0.58MM.	3198	036	90010	9687	Wire Jumper, 0.58MM.	3198	036	90010
9417	Wire Jumper, 0.58MM.	3198	036	90010	9688	Wire Jumper, 0.58MM.	3198	036	90010
9418	Wire Jumper, 0.58MM.	3198	036	90010	9689	Wire Jumper, 0.58MM.	3198	036	90010
9419	Wire Jumper, 0.58MM.	3198	036	90010	9690	Wire Jumper, 0.58MM.	3198	036	90010
9421	Wire Jumper, 0.58MM.	3198	036	90010	9691	Wire Jumper, 0.58MM.	3198	036	90010
9422	Wire Jumper, 0.58MM.	3198	036	90010	9694	Wire Jumper, 0.58MM.	3198	036	90010
9423	Wire Jumper, 0.58MM.	3198	036	90010	9695	Wire Jumper, 0.58MM.	3198	036	90010
9425	Wire Jumper, 0.58MM.	3198	036	90010	9697	Wire Jumper, 0.58MM.	3198	036	90010
9427	Wire Jumper, 0.58MM.	3198	036	90010	9698	Wire Jumper, 0.58MM.	3198	036	90010
9453	Wire Jumper, 0.58MM.	3198	036	90010	9699	Wire Jumper, 0.58MM.	3198	036	90010
9460	Wire Jumper, 0.58MM.	3198	036	90010	9821	Wire Jumper, 0.58MM.	3198	036	90010
9500	Wire Jumper, 0.58MM.	3198	036	90010	9822	Wire Jumper, 0.58MM.	3198	036	90010
9501	Wire Jumper, 0.58MM.	3198	036	90010	9823	Wire Jumper, 0.58MM.	3198	036	90010
9503	Wire Jumper, 0.58MM.	3198	036	90010	9824	Wire Jumper, 0.58MM.	3198	036	90010
9506	Wire Jumper, 0.58MM.	3198	036	90010	9825	Wire Jumper, 0.58MM.	3198	036	90010
9507	Wire Jumper, 0.58MM.	3198	036	90010	9827	Wire Jumper, 0.58MM.	3198	036	90010
9510	Wire Jumper, 0.58MM.	3198	036	90010	9828	Wire Jumper, 0.58MM.	3198	036	90010
9512	Wire Jumper, 0.58MM.	3198	036	90010	9829	Wire Jumper, 0.58MM.	3198	036	90010
9513	Wire Jumper, 0.58MM.	3198	036	90010	9830	Wire Jumper, 0.58MM.	3198	036	90010
9514	Wire Jumper, 0.58MM.	3198	036	90010	9831	Wire Jumper, 0.58MM.	3198	036	90010
9515	Wire Jumper, 0.58MM.	3198	036	90010	9832	Wire Jumper, 0.58MM.	3198	036	90010
9516	Wire Jumper, 0.58MM.	3198	036	90010	9833	Wire Jumper, 0.58MM.	3198	036	90010
9518	Wire Jumper, 0.58MM.	3198	036	90010	9834	Wire Jumper, 0.58MM.	3198	036	90010
9520	Wire Jumper, 0.58MM.	3198	036	90010	9835	Wire Jumper, 0.58MM.	3198	036	90010
9521	Wire Jumper, 0.58MM.	3198	036	90010	9836	Wire Jumper, 0.58MM.	3198	036	90010
9522	Wire Jumper, 0.58MM.	3198	036	90010	9837	Wire Jumper, 0.58MM.	3198	036	90010
9524	Wire Jumper, 0.58MM.	3198	036	90010	9838	Wire Jumper, 0.58MM.	3198	036	90010
9525	Wire Jumper, 0.58MM.	3198	036	90010	9839	Wire Jumper, 0.58MM.	3198	036	90010
9528	Wire Jumper, 0.58MM.	3198	036	90010	9840	Wire Jumper, 0.58MM.	3198	036	90010
9610	Wire Jumper, 0.58MM.	3198	036	90010	9841	Wire Jumper, 0.58MM.	3198	036	90010
9611	Coil, 27u.	3198	018	22790	9842	Wire Jumper, 0.58MM.	3198	036	90010
9612	Wire Jumper, 0.58MM.	3198	036	90010	9843	Wire Jumper, 0.58MM.	3198	036	90010
9613	Wire Jumper, 0.58MM.	3198	036	90010	9844	Wire Jumper, 0.58MM.	3198	036	90010
9614	Wire Jumper, 0.58MM.	3198	036	90010	9845	Wire Jumper, 0.58MM.	3198	036	90010

S = Safety Part. Be sure to use exact replacement part.

PCW227S321 (continued)

9846	Wire Jumper, 0.58MM.	3198 036 90010	2712	Cap, 100p, 5%, 50v, Ceramic.	3198 016 01010
9847	Wire Jumper, 0.58MM.	3198 036 90010	2713	Cap, 100n, 10%, 16v, Ceramic.	3198 017 01040
9849	Wire Jumper, 0.58MM.	3198 036 90010	3703	Res, 75 ohm, 5%, 1/10W, Metalized Gla	
9851	Wire Jumper, 0.58MM.	3198 036 90010		ss.	3198 021 57590
9901	Wire Jumper, 0.58MM.	3198 036 90010	3707	Res, 10K, 5%, 1/10W, Metalized Glass	3198 021 51030
9902	Wire Jumper, 0.58MM.	3198 036 90010	3708	Res, 47K, 5%, 1/10W, Metalized Glass	3198 021 54730
9903	Wire Jumper, 0.58MM.	3198 036 90010	3710	Res, 47K, 5%, 1/10W, Metalized Glass	3198 021 54730
9904	Wire Jumper, 0.58MM.	3198 036 90010	3715	Res, 100 ohm, 5%, 1/10W, Glass . . .	3198 021 51010
9905	Wire Jumper, 0.58MM.	3198 036 90010	3716	Res, 10K, 5%, 1/10W, Metalized Glass	3198 021 51030
9911	Wire Jumper, 0.58MM.	3198 036 90010	3717	Res, 10K, 5%, 1/10W, Metalized Glass	3198 021 51030
9912	Wire Jumper, 0.58MM.	3198 036 90010	3718	Res, 10K, 5%, 1/10W, Metalized Glass	3198 021 51030
9913	Wire Jumper, 0.58MM.	3198 036 90010	3719	Res, 4K7, 5%, 1/10W, Metalized Glass	3198 021 54720
9914	Wire Jumper, 0.58MM.	3198 036 90010	3720	Res, 10K, 5%, 1/10W, Metalized Glass	3198 021 51030
9915	Wire Jumper, 0.58MM.	3198 036 90010	3721	Res, 4K7, 5%, 1/10W, Metalized Glass	3198 021 54720
9916	Wire Jumper, 0.58MM.	3198 036 90010	3722	Res, 10K, 5%, 1/10W, Metalized Glass	3198 021 51030
9918	Wire Jumper, 0.58MM.	3198 036 90010	3723	Res, 33K, 5%, 1/10W, Metalized Glass	3198 021 53330
9919	Wire Jumper, 0.58MM.	3198 036 90010	3724	Res, 33K, 5%, 1/10W, Metalized Glass	3198 021 53330
9920	Wire Jumper, 0.58MM.	3198 036 90010	3725	Res, 68K, 5%, 1/10W, Metalized Glass	3198 021 56830
9921	Wire Jumper, 0.58MM.	3198 036 90010	3726	Res, 10K, 5%, 1/10W, Metalized Glass	3198 021 51030
9991	Wire Jumper, 0.58MM.	3198 036 90010	3727	Res, 4K7, 5%, 1/10W, Metalized Glass	3198 021 54720
9993	Wire Jumper, 0.58MM.	3198 036 90010	3728	Res, 10K, 5%, 1/10W, Metalized Glass	3198 021 51030
9994	Wire Jumper, 0.58MM.	3198 036 90010	3729	Res, 10K, 5%, 1/10W, Metalized Glass	3198 021 51030
9996	Wire Jumper, 0.58MM.	3198 036 90010	3731	Res, 1K8, 5%, 1/10W, Metalized Glass	3198 021 51820
9997	Wire Jumper, 0.58MM.	3198 036 90010	3733	Res, 47K, 5%, 1/10W, Metalized Glass	3198 021 54730
9998	Wire Jumper, 0.58MM.	3198 036 90010	3734	Res, 47K, 5%, 1/10W, Metalized Glass	3198 021 54730
CBA	Main Chassis Assembly.	3139 177 25751	3735	Res, 75 ohm, 5%, 1/10W, Metalized Gla	

CRT Panel Parts (Part of Main Chassis)

S 0244	Connector, 5 Pin	2422 025 04853	3740	Res, 75 ohm, 5%, 1/10W, Metalized Gla	
S 0245	Connector, 6 Pin	2422 025 04854	3741	ss.	3198 021 57590
S 0254	Socket, CRT, 9 Pin, N-Neck	2422 500 80076	3742	Res, 220 ohm, 20%, 1/2W, Carbon Film	3198 013 02210
2330	Cap, 100n, 10%, 250v, Metalized Polyp		3743	Res, 1K, 5%, 1/10W, Metalized Glass.	3198 021 51020
	ropylene	2222 368 90177	3744	Res, 4K7, 5%, 1/10W, Metalized Glass	3198 021 54720
2340	Cap, 10u, 20%, 250v, Electrolytic.	2020 012 93495	4004	Res, 100 ohm, 5%, 1/10W, Glass . . .	3198 021 51010
2341	Cap, 3n3, 10%, 500v, Ceramic.	3198 019 43320	4005	Res, Zero ohm, "Chip" Jumper	3198 021 90020
2342	Cap, 560p, 5%, 50v, Ceramic.	3198 016 05610	4006	Res, Zero ohm, "Chip" Jumper	3198 021 90020
2343	Cap, 3n3, 10%, 2000v, Ceramic.	2020 558 90529	4008	Res, Zero ohm, "Chip" Jumper	3198 021 90020
2344	Cap, 100n, ?20%, 25v, Ceramic.	3198 023 21040	4009	Res, Zero ohm, "Chip" Jumper	3198 021 90020
2345	Cap, 1n, 10%, 500v, Ceramic.	3198 019 41020	4010	Res, Zero ohm, "Chip" Jumper	3198 021 90020
3331	Res, 100 ohm, 5%, 1/6W, Carbon Film.	3198 011 01010	6703	Zener Diode, 5.1 volt.	3198 010 25180
3332	Res, 1K, 20%, 1/2W, Carbon Film.	3198 013 01020	6704	Zener Diode, 8.2 volt.	3198 020 58280
3333	Res, 100 ohm, 5%, 1/6W, Carbon Film.	3198 011 01010	6706	Zener Diode, 8.2 volt.	3198 020 58280
3334	Res, 1K, 20%, 1/2W, Carbon Film.	3198 013 01020	7700	Transistor, NPN, BC847B.	3198 010 42030
3335	Res, 100 ohm, 5%, 1/6W, Carbon Film.	3198 011 01010	7701	Transistor, NPN, BC847B.	3198 010 42030
3336	Res, 1K, 20%, 1/2W, Carbon Film.	3198 013 01020	7704	Transistor, PNP, BC857B.	3198 010 42150
S 3340	Res, 10 ohm, 5%, 1/2W, Metal Film.	2306 207 03109	7705	Transistor, PNP, BC857B.	3198 010 42150
S 3341	Res, 1 ohm, 5%, 1/3W, Metal Film	2306 204 03108	7706	Transistor, NPN, BC847B.	3198 010 42030
S 3342	Res, 1 ohm, 5%, 1/3W, Metal Film	2306 204 03108	7707	Transistor, NPN, BC847B.	3198 010 42030
3343	Res, 1K5, 20%, 1/2W, Carbon Film.	3198 013 01520	7708	Transistor, NPN, BC847B.	3198 010 42030
3344	Res, 22 ohm, 5%, 1/6W, Carbon Film	3198 011 02290	7715	Transistor, NPN, BC847B.	3198 010 42030
S 3345	VDR, DC, 1mA, 50V, MAX, 115V	2322 593 13507	7716	Transistor, NPN, BC847B.	3198 010 42030
3346	Res, 22 ohm, 5%, 1/6W, Carbon Film.	3198 011 02290	9001	Wire Jumper, 0.58MM.	3198 036 90010
3347	Res, Zero ohm, "Chip" Jumper	3198 021 90020	9002	Wire Jumper, 0.58MM.	3198 036 90010
3350	Res, Zero ohm, "Chip" Jumper	3198 021 90020	9003	Wire Jumper, 0.58MM.	3198 036 90010
3353	Res, Zero ohm, "Chip" Jumper	3198 021 90020	9004	Wire Jumper, 0.58MM.	3198 036 90010
5342	Coil, 22u.	2422 535 97333	9005	Wire Jumper, 0.58MM.	3198 036 90010
6331	Diode, Signal, BAV21	3198 010 10070	9007	Wire Jumper, 0.58MM.	3198 036 90010
6332	Diode, Signal, BAS316.	3198 010 10630	9008	Wire Jumper, 0.58MM.	3198 036 90010
6333	Diode, Signal, BAV21	3198 010 10070	9009	Wire Jumper, 0.58MM.	3198 036 90010
6335	Diode, Signal, BAV21	3198 010 10070	9010	Wire Jumper, 0.58MM.	3198 036 90010
7330	IC, TDA6107Q/N2.	9352 576 50112	9021	Wire Jumper, 0.58MM.	3198 036 90010
9311	Wire Jumper, 0.58MM.	3198 036 90010			
9341	Wire Jumper, 0.58MM.	3198 036 90010			
9342	Wire Jumper, 0.58MM.	3198 036 90010			
9343	Wire Jumper, 0.58MM.	3198 036 90010			

Interface Panel Parts - 313912729681

Interface Panel Parts - 313912729681		
CBA	Interface Panel Assembly	3139 127 29681
0149	Cable, 9 Pin, 280mm.	3135 121 00071
0162	Cable, 7 Pin, 220mm.	3135 121 00051
0163	Cable, 10 Pin, 280mm.	3135 121 00061
0164	Cable, 3 Pin, 400mm.	3135 121 00161
0167	Cable, 4 Pin, 180mm.	3135 121 00081
0168	Cable, 6 Pin, 280mm.	3135 121 00041
0173	Cable, 5 Pin, 400mm.	3135 121 00031
0217	Connector, 4 Pin	2422 025 16385
0227	Connector, 6 Pin	2422 025 15849
0228	Connector, 3 Pin	2422 025 16407
0240	Connector, 7 Pin	2422 025 11244
0242	Connector, 10 Pin.	2422 025 12484
0259	Connector, 5 Pin	2422 025 15848
1259	Connetor, 9 Pin.	2422 025 11243
1800	Connector, 32 Pin.	3135 010 03531
2703	Cap, 100u, 20%, 10v, Electrolytic.	3198 025 11010
2705	Cap, 22p, 5%, 50v, Ceramic.	3198 016 02290
2706	Cap, 4n7, 10%, 50v, Ceramic.	3198 017 04720
2707	Cap, 4n7, 10%, 50v, Ceramic.	3198 017 04720
2709	Cap, 100n, 10%, 16v, Ceramic.	3198 017 01040
2710	Cap, 100n, 10%, 16v, Ceramic.	3198 017 01040
2711	Cap, 100p, 5%, 50v, Ceramic.	3198 016 01010

S = Safety Part Be sure to use exact replacement part.

PL0125C321 - Manual no. 7629

Cabinet & Accessory Parts

	Cabinet & Accessory Parts			2462
S AC01	AC Cord	3135	010	07161
AC04	Cabinet Back Assembly	3135	124	00071
AC08	Clip, AC Cord	3135	014	09931
AC09	Clip, Anode Lead	3135	014	04471
S AC10	CRT, A63AFW36X05	9301	885	40458
AC11	Customer Control Buttons	3139	124	27351
S AC12	Degaussing Coil	2422	549	44489
AC13	Holder, Degaussing Coil (4 Used)	3135	013	01641
AC16	Owner's Manual	3135	015	16021
AC20	Cabinet Front Assembly f/PL0125C321	3121	237	52361
AC20a	Cabinet Front	3135	017	04101
AC20b	Chassis Guide (2 Used)	3139	124	31381
AC20d	Light Guide	3139	124	26461
AC20f	Power Button	3139	124	26444
AC20i	Bracket, Power Button	3135	121	20061
AC20j	Speaker, Full Range, 16ohm, 1.5W	2422	264	00343
S AC21	Deflection Yoke	3321	203	00121

Main Chassis Assembly Parts

	Main Chassis Assembly Parts			
	Socket Fuse	2422	088	00271
S 0211	Connector, 2 Pin	2422	025	16374
S 0212	Connector, 2 Pin	2422	025	16375
0220	Connector, 5 Pin	2422	025	04853
S 0221	Connector, 4 Pin	2422	025	15503
S 0222	Connector, 2 Pin	2422	025	10646
0240	Connector, 7 Pin	2422	025	11244
0243	Connector, 6 Pin	2422	025	04854
0246	Connector, 3 Pin	2422	025	16383
0251	Connector, 3 Pin	2412	020	00725
0259	Connector, 5 Pin	2422	025	15848
0262	Connector, 3 Pin	2422	025	16937
0267	Connector, 3 Pin	2412	020	00725
1000	Tuner, V+U PLL	2422	542	90108
1002	SAW Filter, 45MHZ75, OFWM1971M L	2422	549	44518
1200	Filter, Ceramic, 4MHZ5	2422	549	40807
S 1500	Fuse, 4A, 250V, IEC	2422	086	10914
S 1515	Relay, 1P, 12V	2422	132	07444
1600	Tact Switch	2422	128	02742
1601	Tact Switch	2422	128	02742
1602	Tact Switch	2422	128	02742
1603	Tact Switch	2422	128	02742
1606	Tact Switch	2422	128	02742
1660	Crystal Resonator, 12 MHz, 20P, HC49/U A	2422	543	01203
2004	Cap, 47n, 10%, 16v, Ceramic	3198	017	34730
2005	Cap, 10u, 20%, 50v, Electrolytic	3198	025	51090
2006	Cap, 470u, 20%, 16v, Electrolytic	3198	025	24710
2007	Cap, 100n, +80/-20%, 25v, Ceramic	3198	023	41040
2008	Cap, 100u, 20%, 25v, Electrolytic	3198	025	31010
2009	Cap, 22n, 10%, 25v, Ceramic	3198	017	32230
2203	Cap, 100n, +80/-20%, 25v, Ceramic	3198	023	41040
2204	Cap, 100n, +80/-20%, 25v, Ceramic	3198	023	41040
2205	Cap, 220n, +80/-20%, 25v, Ceramic	3198	023	22240
2208	Cap, 100n, +80/-20%, 25v, Ceramic	3198	023	41040
2209	Cap, 4u7, 20%, 50v, Electrolytic	3198	025	54780
2210	Cap, 1u, +80/-20%, 16v, Ceramic	3198	017	21050
2211	Cap, 470n, +80/-20%, 16v, Ceramic	3198	017	24740
2216	Cap, 1000u, 20%, 16v, Electrolytic	3198	026	21020
2217	Cap, 22n, 10%, 25v, Ceramic	3198	017	32230
2219	Cap, 220n, +80/-20%, 25v, Ceramic	3198	023	22240
2226	Cap, 4n7, 10%, 50v, Ceramic	3198	017	34720
2227	Cap, 4n7, 10%, 50v, Ceramic	3198	017	34720
2228	Cap, 820p, 5%, 25v, Ceramic	3198	016	38210
2229	Cap, 10u, 20%, 50v, Electrolytic	3198	025	51090
2241	Cap, 1n5, 10%, 50v, Ceramic	3198	017	31520
2242	Cap, 1u, +80/-20%, 10v, Ceramic	3198	017	41050
2243	Cap, 2n2, 10%, 50v, Ceramic	3198	017	02220
2244	Cap, 100n, 5%, 63v, Metallized Polyester	2222	370	76104
2245	Cap, 220n, +80/-20%, 16v, Ceramic	3198	023	22240
2246	Cap, 4u7, 20%, 50v, Electrolytic	3198	025	54780
2247	Cap, 1000u, 20%, 16v, Electrolytic	3198	026	21020
2248	Cap, 22n, 10%, 50v, Ceramic	3198	017	02230
2249	Cap, 22n, 10%, 25v, Ceramic	3198	017	32230
2250	Cap, 2u2, 20%, 50v, Electrolytic	3198	025	52280
2252	Cap, 1n, 5%, 25v, Ceramic	3198	016	31020
2253	Cap, 1n, 5%, 25v, Ceramic	3198	016	31020
2254	Res, Zero ohm, Chip Jumper	3198	021	90020
2405	Cap, 220u, 20%, 25v, Electrolytic	3198	025	32210
2441	Cap, 1u, 20%, 50v, Electrolytic	3198	025	51080
2443	Cap, 47n, +80/-20%, 50v, Ceramic	3198	017	24730
2444	Cap, 1u, 20%, 50v, Electrolytic	3198	025	51080
2450	Cap, 47u, 20%, 160v, Electrolytic	2020	021	91139
2451	Cap, 15n, 10%, 50v, Polyester	3198	014	01530
2455	Cap, 47u, 20%, 25v, Electrolytic	3198	025	34790
2457	Cap, 470n, 5%, 250v, Polypropylene	2222	479	90023
2458	Cap, 2u2, 20%, 100v, Electrolytic	2020	021	91331
2459	Cap, 680p, 10%, 500v, Ceramic	3198	019	46810
2460	Cap, 100p, 5%, 50v, Ceramic	3198	016	01010

Cap, 330n, 10%, 250v, Polypropylene	2022	333	00084
Cap, 470p, 10%, 2000v, Ceramic	2020	558	90483
Cap, 11n, 5%, 1600v, Polypropylene	2222	375	90155
Cap, 100n, 10%, 50v, Polyester	3198	014	01040
Cap, 150n, 10%, 63v, Metallized Polyester	2222	365	75154
Cap, 100n, 10%, 63v, Metallized Polyester	2222	365	75104
Cap, 2n2, 10%, 50v, Ceramic	3198	017	02220
Cap, 2n2, 10%, 50v, Ceramic	3198	017	02220
Cap, 4n7, 10%, 50v, Ceramic	3198	017	04720
Cap, 47u, 20%, 25v, Electrolytic	2020	021	90586
Cap, 470p, 10%, 500v, Ceramic	3198	019	44710
Cap, 68n, 10%, 250v, Polyester	2222	347	90234
Cap, 4u7, 20%, 250v, Electrolytic	2020	021	90856
Cap, 470u, 20%, 16v, Electrolytic	2020	021	91577
Cap, 47u, 20%, 50v, Electrolytic	2020	021	90854
Cap, 1000u, 20%, 16v, Electrolytic	2020	021	91049
Cap, 470u, 20%, 16v, Electrolytic	2020	021	91577
Cap, 1n, 10%, 500v, Ceramic	3198	019	41020
Cap, 470n, 20%, 275v, Metallized Polypropylene	2222	336	29148
Cap, 2n2, 10%, 1000v, Ceramic	3198	019	52220
Cap, 2n2, 10%, 1000v, Ceramic	3198	019	52220
Cap, 470u, 20%, 200v, Electrolytic	2020	024	90626
Cap, 2n2, 10%, 1000v, Ceramic	3198	019	52220
Cap, 470p, 10%, 50v, Ceramic	3198	017	04710
Cap, 470p, 10%, 1000v, Ceramic	3198	019	64710
Cap, 1n5, 20%, v, Ceramic	2020	554	90128
Cap, 100n, 10%, 16v, Ceramic	3198	017	01040
Cap, 22u, 20%, 50v, Electrolytic	3198	025	52290
Cap, 100n, 10%, 16v, Ceramic	3198	017	01040
Cap, 1n5, 10%, 2000v, Ceramic	2020	558	90489
Cap, 470p, 10%, 50v, Ceramic	3198	017	04710
Cap, 2n2, 10%, 50v, Ceramic	3198	017	02220
Cap, 1n, 10%, 50v, Ceramic	3198	017	01020
Cap, 10n, 10%, 50v, Ceramic	3198	017	01030
Cap, 10n, 10%, 50v, Ceramic	3198	017	01030
Cap, 680p, 10%, 1000v, Ceramic	2020	558	90472
Cap, 100u, 20%, 160v, Electrolytic	2020	021	91654
Cap, 1n, 10%, 50v, Ceramic	3198	019	11020
Cap, 100n, 10%, 50v, Polyester	3198	014	01040
Cap, 2u2, 20%, 25v, Electrolytic	2020	021	91353
Cap, 470u, 20%, 6.3v, Electrolytic	3198	025	04710
Cap, 47u, 20%, 25v, Electrolytic	3198	025	34790
Cap, 1u, 20%, 50v, Electrolytic	3198	025	51080
Cap, 47u, 20%, 16v, Electrolytic	3198	028	24790
Cap, 22u, 20%, 50v, Electrolytic	3198	025	52290
Cap, 220n, +80/-20%, 25v, Ceramic	3198	023	22240
Cap, 100p, 5%, 50v, Ceramic	3198	016	01010
Cap, 1n, 10%, 50v, Ceramic	3198	017	01020
Cap, 33p, 5%, 50v, Ceramic	3198	016	33390
Cap, 1u, +80/-20%, 10v, Ceramic	3198	017	41050
Cap, 33p, 5%, 50v, Ceramic	3198	016	33390
Cap, 1u, +80/-20%, 10v, Ceramic	3198	017	41050
Cap, 68p, 5%, 50v, Ceramic	3198	016	06890
Cap, 68p, 5%, 50v, Ceramic	3198	016	06890
Cap, 1n, 10%, 50v, Ceramic	3198	017	01020
Cap, 470n, +80/-20%, 16v, Ceramic	3198	017	24740
Cap, 1u, +80/-20%, 10v, Ceramic	3198	017	41050
Cap, 1u, +80/-20%, 16v, Ceramic	3198	017	21050
Cap, 10u, 20%, 50v, Electrolytic	3198	025	51090
Cap, 220u, 20%, 50v, Electrolytic	3198	026	52210
Cap, 1u, 20%, 50v, Electrolytic	3198	025	51080
Cap, 470n, +80/-20%, 16v, Ceramic	3198	017	24740
Cap, 1n, 10%, 50v, Ceramic	3198	017	01020
Cap, 10u, 20%, 50v, Electrolytic	3198	025	51090
Cap, 330p, 5%, 50v, Ceramic	3198	016	33310
Res, 100 ohm, 5%, 1/6W, Carbon Film	3198	011	01010
Res, 100 ohm, 5%, 1/6W, Carbon Film	3198	011	01010
Res, Zero ohm, Chip Jumper	3198	021	90020
Res, 1K5, 5%, 1/16W, Metallized Glass	3198	021	31520
Res, 8K2, 5%, 1/16W, Metallized Glass	3198	021	38220
Res, 100 ohm, 5%, 1/6W, Carbon Film	3198	011	01010
Res, 390 ohm, 5%, 1/6W, Carbon Film	3198	011	03910
Res, 100 ohm, 5%, 1/6W, Carbon Film	3198	011	01010
Res, 100 ohm, 5%, 1/6W, Carbon Film	3198	011	01010
Res, 100 ohm, 5%, 1/6W, Carbon Film	3198	011	01010
Res, 100 ohm, 5%, 1/6W, Carbon Film	3198	011	01010
Res, 22K, 5%, 1/6W, Carbon Film	3198	011	02230
Res, 33K, 5%, 1/16W, Metallized Glass	3198	021	33330
Res, 1K, 5%, 1/6W, Carbon Film	3198	011	01020
Res, 220 ohm, 5%, 1/16W, Metallized Glass	3198	021	32210
Res, 68 ohm, 5%, 1/16W, Metallized Glass	3198	021	36890
Res, 470 ohm, 5%, 1/16W, Metallized Glass	3198	021	34710
Res, 560 ohm, 5%, 1/6W, Carbon Film	3198	011	05610
Res, 330K, 5%, 1/16W, Metallized Glass	3198	021	33340
Res, 82K, 5%, 1/16W, Metallized Glass	3198	021	38230
Res, 2K2, 5%, 1/16W, Metallized Glass	3198	021	32220
Res, 560 ohm, 5%, 1/16W, Metallized Glass	3198	021	35610

PL0125C321 (continued)

3232	Res, 2K2, 5%, 1/16W, Metallized Glass	3198	021	32220	3545	Res, 270K, 5%, 1/10W, Metallized Glas	2120	108	91725
3235	Res, 100 ohm, 5%, 1/6W, Carbon Film.	3198	011	01010	3548	Res, 15K, 5%, 1/10W, Metallized Glass	3198	021	51530
3241	Res, 22K, 5%, 1/16W, Metallized Glass	3198	021	32230	3552	Res, 4K7, 5%, 1/10W, Metallized Glass	3198	021	54720
3242	Res, 12K, 5%, 1/10W, Metallized Glass	3198	021	51230	3557	Res, 1k, 5%, Carbon.	3198	021	51020
3244	Res, 820 ohm, 5%, 1/6W, Carbon Film.	3198	011	08210	3560	Res, 47 ohm, 5%, 1/6W, Carbon Film .	3198	011	04790
3245	Res, 39K, 1%, 1/10W, Metallized Glass	2120	108	92633	3561	Res, 100 ohm, 5%, 1/6W, Carbon Film.	3198	011	01010
3246	Res, 10k, 5%, Carbon	3198	021	51030	3562	Res, 12K, 5%, 1/10W, Metallized Glass	3198	021	51230
3247	Res, 680K, 5%, 1/10W, Metallized Glass	3198	021	56840	3563	Res, 5K6, 5%, 1/10W, Metallized Glass	3198	021	55620
3248	Res, 33K, 5%, 1/10W, Metallized Glass	3198	021	53330	3564	Res, 0R1, 5%, 1 1/3W, Metal Film . .	3198	012	21070
3249	Res, 820 ohm, 5%, 1/6W, Carbon Film.	3198	011	08210	3565	Res, 330 ohm, 5%, 1W, Metal Film . .	3198	012	13310
3250	Res, 8K2, 5%, 1/6W, Carbon Film. . .	3198	011	08220	3566	Res, 2K2, 5%, 1/10W, Metallized Glass	3198	021	52220
3251	Res, 100 ohm, 5%, 1/6W, Carbon Film.	3198	011	01010	3567	Res, 3K3, 5%, 1/16W, Metallized Glass	3198	021	33320
3256	Res, 1k, 5%, Carbon.	3198	021	51020	3568	Res, 8K2, 5%, 1/10W, Metallized Glass	3198	021	58220
3257	Res, 10M, 5%, 1/10W, Metallized Glass	3198	021	51060	3569	Res, 5K6, 5%, 1/10W, Metallized Glass	3198	021	55620
3258	Res, 100K, 5%, 1/10W, Metallized Glas	3198	021	51040	3580	Res, 47K, 5%, 1/10W, Metallized Glass	3198	021	54730
3259	Res, 470K, 5%, 1/10W, Metallized Glas	3198	021	54740	3594	Res, 330 ohm, 5%, 1/10W, Metallized G			
3441	lass, 100 ohm, 5%, 1/10W, Metallized G				3595	lass	3198	021	53310
3442	lass	3198	021	51010	3596	Res, 220K, 5%, 1/10W, Metallized Glas	3198	021	52240
3443	Res, Zero ohm, Chip Jumper	3198	021	90020	3596	Res, 220K, 5%, 1/10W, Metallized Glas	3198	021	52240
3443	Res, 1M, 5%, 1/10W, Metallized Glass	3198	021	51050	3603	Res, 100 ohm, 5%, 1/6W, Carbon Film.	3198	011	01010
3445	Res, 15K, 5%, 1/6W, Carbon Film. . .	3198	011	01530	3604	Res, 100 ohm, 5%, 1/6W, Carbon Film.	3198	011	01010
3446	Res, 5K6, 5%, 1/6W, Carbon Film. . .	3198	011	05620	3605	Res, 4K7, 5%, 1/16W, Metallized Glass	3198	021	34720
3447	Res, 180 ohm, 5%, 1/6W, Carbon Film.	3198	011	01810	3606	Res, 2K2, 5%, 1/6W, Carbon Film. . .	3198	011	02220
3448	Res, 820 ohm, 5%, 1/6W, Carbon Film.	3198	011	08210	3607	Res, 2K2, 5%, 1/6W, Carbon Film. . .	3198	011	02220
3449	Res, 68 ohm, 5%, 1/6W, Carbon Film .	3198	011	06890	3608	Res, 100 ohm, 5%, 1/6W, Carbon Film.	3198	011	01010
3450	Res, 33 ohm, 5%, 1/6W, Carbon Film .	3198	011	03390	3611	Res, 100 ohm, 5%, 1/16W, Metallized G			
S 3451	lass, 10 ohm, 5%, 1/3W, Metal Film. . .	2306	204	03109	3618	lass	3198	021	31010
3452	Res, 10K, 1%, 3/5W, Metal Film	2312	915	11003	3622	Res, 6K8, 5%, 1/6W, Carbon Film. . .	3198	011	06820
3453	Res, 1K, 5%, 1/6W, Carbon Film	3198	011	01020	3622	Res, 100 ohm, 5%, 1/10W, Metallized G			
3454	lass, 3K9, 1%, 3/5W, Metal Film	2312	915	13902	3623	lass	3198	021	51010
3455	Res, 6R8, 5%, 1 1/3W, Metal Film . . .	3198	012	26880	3623	Res, 4K7, 5%, 1/16W, Metallized Glass	3198	021	34720
3456	Res, Zero ohm, Chip Jumper	3198	021	90020	3624	Res, 100 ohm, 5%, 1/6W, Carbon Film.	3198	011	01010
3457	Res, Zero ohm, Chip Jumper	3198	021	90020	3625	Res, 100 ohm, 5%, 1/6W, Carbon Film.	3198	011	01010
3458	Res, 1K, 5%, 1/6W, Carbon Film	3198	011	01020	3626	Res, 4K7, 5%, 1/16W, Metallized Glass	3198	021	34720
3459	Res, 15K, 5%, 1 1/3W, Metal Film . . .	3198	012	21530	3627	Res, 4K7, 5%, 1/16W, Metallized Glass	3198	021	34720
3460	Res, 3K9, 5%, 1/6W, Carbon Film. . . .	3198	011	03920	3628	Res, 10K, 5%, 1/16W, Metallized Glass	3198	021	31030
3463	Res, 33 ohm, 5%, 1/6W, Carbon Film . .	3198	011	03390	3630	Res, 2K2, 5%, 1/16W, Metallized Glass	3198	021	32220
3465	Res, 27K, 1%, 3/5W, Metal Film	2312	915	12703	3632	Res, Zero ohm, Chip Jumper	3198	021	90020
3468	Res, 220 ohm, 5%, 1/6W, Carbon Film.	3198	011	02210	3632	Res, 100 ohm, 5%, 1/10W, Metallized G			
3469	lass, 3K3, 5%, 1/6W, Carbon Film. . . .	3198	011	03320	3636	lass	3198	021	51010
3470	Res, 330K, 5%, 1/10W, Metallized Glas	3198	021	53340	3639	Res, Zero ohm, Chip Jumper	3198	021	90020
3471	Res, 3R3, 1%, 3/5W, Metal Film	2312	915	13308	3681	Res, 390 ohm, 5%, 1/16W, Metallized G			
3472	lass, 3R3, 1%, 3/5W, Metal Film	2312	915	13308	3682	lass	3198	021	33910
3473	Res, 3R3, 1%, 3/5W, Metal Film	2312	915	13308	3682	Res, 3K3, 5%, 1/16W, Metallized Glass	3198	021	33320
3474	Res, 2K2, 1%, 3/5W, Metal Film	2312	915	12202	3683	Res, 390 ohm, 5%, 1/16W, Metallized G			
3475	lass, 2K2, 1%, 3/5W, Metal Film	2312	915	12202	3684	lass	3198	021	33910
3477	Res, 150 ohm, 5%, 1/6W, Carbon Film.	3198	011	01510	3684	Res, 560 ohm, 5%, 1/16W, Metallized G			
3478	lass, 150 ohm, 5%, 1/6W, Carbon Film.	3198	011	01510	3685	lass	3198	021	35610
3479	Res, 2K7, 5%, 1/10W, Metallized Glass	3198	021	52720	3685	Res, 560 ohm, 5%, 1/16W, Metallized G			
3480	lass, 1R5, 5%, 1/4W, Carbon Film. . . .	2120	101	74158	3686	lass	3198	021	35610
3481	Res, 15K, 1%, 3/5W, Metal Film	2312	915	11503	3686	Res, 1K5, 5%, 1/16W, Metallized Glass	3198	021	31520
3482	Res, 12k, 1%, Metal Film	2312	915	11203	3691	Res, 330 ohm, 5%, 1/16W, Metallized G			
3484	lass, 3K9, 5%, 1/6W, Carbon Film. . . .	3198	011	03920	3693	lass	3198	021	33310
3486	Res, 33 ohm, 5%, 2 1/2W, Metal Film.	3198	012	33390	3901	lass	3198	021	32210
3488	Res, 4R7, 5%, 1/2W, Metal Film	2306	207	03478	3902	Res, 1K, 5%, 1/16W, Metallized Glass	3198	021	31020
3490	Res, 8K2, 5%, 1/6W, Carbon Film. . . .	3198	011	08220	3902	Res, 3K3, 5%, 1/16W, Metallized Glass	3198	021	33320
3492	lass, 1k, 5%, Carbon.	3198	021	51020	3903	Res, 18K, 5%, 1/16W, Metallized Glass	3198	021	31830
3493	Res, 6R8, 5%, 1/3W, Metal Film	2306	204	03688	3904	Res, 8K2, 5%, 1/16W, Metallized Glass	3198	021	38220
3494	Res, 4R7, 5%, 1/2W, Metal Film	2306	207	03478	3907	Res, 8K2, 5%, 1/16W, Metallized Glass	3198	021	38220
3495	Res, 22k, 5%, Carbon	3198	021	52230	4001	Res, Zero ohm, Chip Jumper	3198	021	90020
3496	Res, 100K, 5%, 1/10W, Metallized Glas	3198	021	51040	4002	Res, Zero ohm, Chip Jumper	3198	021	90020
3497	Res, 100K, 5%, 1/10W, Metallized Glas	3198	021	51040	4181	Res, Zero ohm, Chip Jumper	3198	021	90020
3498	Res, 12K, 5%, 1/10W, Metallized Glass	3198	021	51230	4216	Res, Zero ohm, Chip Jumper	3198	021	90020
3499	Res, 10k, 5%, Carbon	3198	021	51030	4217	Res, Zero ohm, Chip Jumper	3198	021	90020
S 3500	Res, 3M3, 5%, 1/2W, Metallized Glass	2322	242	13335	4401	Res, Zero ohm, Chip Jumper	3198	021	90020
S 3501	Res, 3M3, 5%, 1/2W, Metallized Glass	2322	242	13335	4402	Res, Zero ohm, Chip Jumper	3198	021	90020
3504	Res, 3 ohm, +30%-20%, 144v, PTC, Car				4430	Res, Zero ohm, Chip Jumper	3198	021	90020
	bon Film	2122	663	00019	4500	Res, Zero ohm, Chip Jumper	3198	021	90020
S 3506	Res, 1M5, 5%, 1/2W, Metallized Glass	2322	242	13155	4604	Res, Zero ohm, Chip Jumper	3198	021	90020
S 3507	Surge Protector, DSP-301N-A21F A . .	2422	549	43073	4613	Res, 3K3, 5%, 1/10W, Metallized Glass	3198	021	53320
S 3508	Res, 220 ohm, 20%, 1/2W, Carbon Film	3198	013	02210	4614	Res, Zero ohm, Chip Jumper	3198	021	90020
3510	Res, 4.7 ohm, 20%, 3W1, NTC, Carbon F				4615	Res, Zero ohm, Chip Jumper	3198	021	90020
	ilm.	2122	612	00056	4617	Res, Zero ohm, Chip Jumper	3198	021	90020
3519	Res, 270 ohm, 5%, 1/6W, Carbon Film.	3198	011	02710	4619	Res, Zero ohm, Chip Jumper	3198	021	90020
3520	Res, 1K2, 5%, 1/10W, Metallized Glass	3198	021	51220	4622	Res, Zero ohm, Chip Jumper	3198	021	90020
3521	Res, 4R7, 5%, 1/6W, Carbon Film. . . .	3198	011	04780	4623	Res, Zero ohm, Chip Jumper	3198	021	90020
3522	Res, 330K, 5%, 1/10W, Metallized Glas	3198	021	53340	4691	Res, Zero ohm, Chip Jumper	3198	021	90020
S 3523	Res, 100 ohm, 5%, 1/3W, Metal Film . .	2306	204	03101	4692	Res, Zero ohm, Chip Jumper	3198	021	90020
3524	Res, 56K, 5%, 1/10W, Metallized Glass	3198	021	55630	4693	Res, Zero ohm, Chip Jumper	3198	021	90020
3525	Res, 1k, 5%, Carbon.	3198	021	51020	4696	Res, Zero ohm, Chip Jumper	3198	021	90020
3526	Res, 0R1, 5%, 3/5W, Metal Film	3198	012	11070	4901	Res, Zero ohm, Chip Jumper	3198	021	90020
3527	Res, 0R33, 5%, 3/5W, Metal Film. . . .	3198	012	13370	4903	Res, Zero ohm, Chip Jumper	3198	021	90020
3528	Res, Zero ohm, Chip Jumper	3198	021	90020	4905	Res, Zero ohm, Chip Jumper	3198	021	90020
3529	Res, 47K, 5%, 1/10W, Metallized Glass	3198	021	54730	4982	Res, Zero ohm, Chip Jumper	3198	021	90020
3530	Res, 10k, 5%, Carbon	3198	021	51030	5001	Coil, 27u.	3198	018	22790
3531	Res, 4K7, 5%, 1/10W, Metallized Glass	3198	021	54720	5002	Coil, 820n	3198	018	18270
S 3532	Res, 2K2, 5%, 1/3W, Metal Film	2306	204	03222	5201	Coil, 6u8.	3198	018	16880
3541	Res, 470 ohm, 5%, 1/10W, Metallized G				5202	Coil, 10u.	3198	018	21090
	lass	3198	021	54710	5204	Fixed, Inductor, 100MHz, 80 ohm. . .	3198	018	90020
3542	Res, 1K5, 5%, 1/10W, Metallized Glass	3198	021	51520	5205	Fixed, Inductor, 100MHz, 80 ohm. . .	3198	018	90020
3543	Res, 82K, 1%, 3/5W, Metal Film	2312	915	18203	5241	Coil, 10u.	3198	018	21090
3544	Res, 4K7, 1%, 1/10W, Metallized Glass	2120	108	92624					

S = Safety Part. Be sure to use exact replacement part.

PL0125C321 (continued)

5242	Coil, 10u.	3198	018	11090	7602	IC, M24C16-WBN6.	9322	147	25682
S 5445	Transformer, LOT, USLOT+U AT2078	3128	138	21401	7902	IC, AN7523N.	9322	158	66667
5451	Coil, 33u.	3198	018	73390	9001	Wire Jumper, 0.58MM.	3198	036	90010
5452	Fixed, Inductor, 100MHz, 80 ohm.	3198	018	90020	9171	Wire Jumper, 0.58MM.	3198	036	90010
5457	Linear Correction Coil.	3128	138	53241	9172	Wire Jumper, 0.58MM.	3198	036	90010
5461	Transformer, Signal Driver, SC10015-0 0 B.	2422	531	02465	9173	Wire Jumper, 0.58MM.	3198	036	90010
5471	Coil, 3u3.	3198	018	73380	9175	Wire Jumper, 0.58MM.	3198	036	90010
5472	Coil, 3u3.	3198	018	23380	9176	Wire Jumper, 0.58MM.	3198	036	90010
5480	Coil, 33u.	2422	535	97335	9178	Wire Jumper, 0.58MM.	3198	036	90010
S 5501	Filter, Mains, 5mH, 2A	2422	549	43432	9179	Wire Jumper, 0.58MM.	3198	036	90010
S 5520	Transformer, SMT Layer, SS39009-04 B 5521 Fixed, Inductor, 100MHz, 50R.	2422	531	02459	9182	Wire Jumper, 0.58MM.	3198	036	90010
5521	Fixed, Inductor, 100MHz, 50R.	3198	018	90010	9193	Wire Jumper, 0.58MM.	3198	036	90010
5560	Fixed, Inductor, 100MHz, 50R.	3198	018	90010	9406	Wire Jumper, 0.58MM.	3198	036	90010
5561	Coil, 27u.	3198	018	22790	9407	Wire Jumper, 0.58MM.	3198	036	90010
5562	Fixed, Inductor, 100MHz, 80 ohm.	3198	018	90020	9408	Wire Jumper, 0.58MM.	3198	036	90010
5564	Fixed, Inductor, 100MHz, 50R.	3198	018	90010	9409	Wire Jumper, 0.58MM.	3198	036	90010
5602	Coil, 5u6.	3198	018	15680	9410	Wire Jumper, 0.58MM.	3198	036	90010
5603	Coil, 5u6.	3198	018	15680	9411	Wire Jumper, 0.58MM.	3198	036	90010
5604	Coil, 5u6.	3198	018	15680	9412	Wire Jumper, 0.58MM.	3198	036	90010
6001	Zener Diode, 33 volt	3198	010	23390	9413	Wire Jumper, 0.58MM.	3198	036	90010
6201	Diode, Signal, BAS316.	3198	010	10630	9415	Wire Jumper, 0.58MM.	3198	036	90010
6202	Diode, Signal, BAS316.	3198	010	10630	9416	Wire Jumper, 0.58MM.	3198	036	90010
6206	Zener Diode, 6.8 volt.	3198	020	56880	9417	Wire Jumper, 0.58MM.	3198	036	90010
6445	Zener Diode, 10 volt	3198	020	51090	9418	Wire Jumper, 0.58MM.	3198	036	90010
6447	Diode, Signal, 1N4148.	3198	010	10010	9419	Wire Jumper, 0.58MM.	3198	036	90010
6448	Zener Diode, 6.2 volt.	9331	668	30133	9421	Wire Jumper, 0.58MM.	3198	036	90010
6449	Diode, Signal, BAV99	3198	010	10620	9422	Wire Jumper, 0.58MM.	3198	036	90010
6453	Zener Diode, 6.8 volt.	3198	020	56880	9423	Wire Jumper, 0.58MM.	3198	036	90010
6460	Diode, Rect, BY228/24.	9340	559	50112	9425	Wire Jumper, 0.58MM.	3198	036	90010
6461	Diode, Rect, RGP30J-L7004.	9338	617	60682	9427	Wire Jumper, 0.58MM.	3198	036	90010
6462	Zener Diode, 8.2 volt.	3198	010	28280	9453	Wire Jumper, 0.58MM.	3198	036	90010
6465	Diode, Signal, BAV21	3198	010	10070	9460	Wire Jumper, 0.58MM.	3198	036	90010
6466	Diode, Signal, BAV21	3198	010	10070	9500	Wire Jumper, 0.58MM.	3198	036	90010
6467	Diode, Signal, BAS316.	3198	010	10630	9501	Wire Jumper, 0.58MM.	3198	036	90010
6468	Diode, Signal, BAS316.	3198	010	10630	9503	Wire Jumper, 0.58MM.	3198	036	90010
6469	Diode, Rect, BYD33J	9337	234	20133	S 9506	Wire Jumper, 0.58MM.	3198	036	90010
6470	Diode, Signal, BAV99	3198	010	10620	S 9507	Wire Jumper, 0.58MM.	3198	036	90010
6476	Zener Diode, 15 volt	3198	010	21590	9510	Wire Jumper, 0.58MM.	3198	036	90010
6481	Zener Diode, 5.6 volt.	3198	010	25680	9512	Wire Jumper, 0.58MM.	3198	036	90010
6482	Zener Diode, 9.1 volt.	9331	177	80133	9513	Wire Jumper, 0.58MM.	3198	036	90010
6483	Zener Diode, 33 volt	3198	010	23390	9514	Wire Jumper, 0.58MM.	3198	036	90010
6485	Diode, Rect, BYD33J	9337	234	20133	9515	Wire Jumper, 0.58MM.	3198	036	90010
6486	Diode, Rect, EGP20DL-5100.	9322	164	42682	9516	Wire Jumper, 0.58MM.	3198	036	90010
6487	Diode, Rect, BYD33D	9337	234	00133	9518	Wire Jumper, 0.58MM.	3198	036	90010
6488	Diode, Rect, EGP20DL-5100.	9322	164	42682	9520	Wire Jumper, 0.58MM.	3198	036	90010
6500	Diode, Bridge Rect, GBU4JL-7002.	9322	132	55667	9521	Wire Jumper, 0.58MM.	3198	036	90010
6520	Diode, Rect, BYD33D	9337	234	00133	9522	Wire Jumper, 0.58MM.	3198	036	90010
6523	Diode, Signal, 1N4148.	3198	010	10010	9524	Wire Jumper, 0.58MM.	3198	036	90010
6524	Diode, Rect, 1N5062	3198	010	10120	9525	Wire Jumper, 0.58MM.	3198	036	90010
6525	Diode, Rect, 1N5062	3198	010	10120	9528	Wire Jumper, 0.58MM.	3198	036	90010
6526	Zener Diode, 22 volt	3198	020	52290	9610	Wire Jumper, 0.58MM.	3198	036	90010
6540	Zener Diode, 6.2 volt.	9331	668	30133	9611	Coil, 27u.	3198	018	22790
6541	Zener Diode, 9.1 volt.	9322	150	08685	9612	Wire Jumper, 0.58MM.	3198	036	90010
6560	Diode, Rect, BYV29X-500.	9340	555	59127	9613	Wire Jumper, 0.58MM.	3198	036	90010
6561	Diode, Rect, SB340L-7010	9322	128	18682	9614	Wire Jumper, 0.58MM.	3198	036	90010
6563	Diode, Signal, BAS316.	3198	010	10630	9615	Wire Jumper, 0.58MM.	3198	036	90010
6565	Diode, Signal, BAV70	9331	849	10215	9616	Wire Jumper, 0.58MM.	3198	036	90010
6566	Diode, Signal, 1N4148.	3198	010	10010	9617	Wire Jumper, 0.58MM.	3198	036	90010
6569	Diode, Signal, BAS316.	3198	010	10630	9618	Wire Jumper, 0.58MM.	3198	036	90010
6570	Zener Diode, 6.8 volt.	3198	020	56880	9619	Wire Jumper, 0.58MM.	3198	036	90010
6580	Diode, Signal, BAS316.	3198	010	10630	9620	Wire Jumper, 0.58MM.	3198	036	90010
6681	Diode Signal, IG BAT85	9336	247	60133	9621	Wire Jumper, 0.58MM.	3198	036	90010
6691	LED, VS LTL-10224WHCR.	9322	050	99682	9622	Wire Jumper, 0.58MM.	3198	036	90010
6692	IR, Receiver, TSOP1836UH3V	9322	127	54667	9623	Wire Jumper, 0.58MM.	3198	036	90010
6901	Res, Zero ohm, Chip Jumper	3198	021	90020	9624	Wire Jumper, 0.58MM.	3198	036	90010
6903	Diode, Rect, 1N5062	3198	010	10120	9625	Wire Jumper, 0.58MM.	3198	036	90010
7200	IC, SM TDA9587H/N1/3/0485.	4835	310	57618	9626	Wire Jumper, 0.58MM.	3198	036	90010
7201	Transistor, NPN, BC847B.	3198	010	42030	9627	Wire Jumper, 0.58MM.	3198	036	90010
7204	Transistor, PNP, BC857B.	3198	010	42150	9628	Wire Jumper, 0.58MM.	3198	036	90010
7441	Transistor, PNP, BC857B.	3198	010	42150	9629	Wire Jumper, 0.58MM.	3198	036	90010
7443	Transistor, PNP, BC557B.	3198	020	40110	9630	Wire Jumper, 0.58MM.	3198	036	90010
7450	Transistor, PNP, PDTA114ET	3198	010	44010	9631	Wire Jumper, 0.58MM.	3198	036	90010
7460	Transistor, NPN, BU4508DX.	9340	550	92127	9632	Wire Jumper, 0.58MM.	3198	036	90010
7461	Transistor, NPN, BC337-25.	3198	020	43530	9633	Wire Jumper, 0.58MM.	3198	036	90010
7462	Transistor, NPN, PDTA143ZT	9340	547	00215	9634	Wire Jumper, 0.58MM.	3198	036	90010
7463	Transistor, PNP, BC327-25.	3198	020	43430	9637	Wire Jumper, 0.58MM.	3198	036	90010
7471	IC, TDA8359J/N2.	9352	701	64112	9638	Wire Jumper, 0.58MM.	3198	036	90010
7480	Transistor, NPN, BD135	3198	020	41010	9639	Wire Jumper, 0.58MM.	3198	036	90010
7482	Transistor, NPN, BD135	3198	020	41010	9640	Wire Jumper, 0.58MM.	3198	036	90010
S 7515	Optical Coupler, TCET1104(G)	9322	175	72667	9641	Wire Jumper, 0.58MM.	3198	036	90010
7520	IC, TEA1507P/N1.	9352	673	56112	9642	Wire Jumper, 0.58MM.	3198	036	90010
7521	FET Power STP8NC50FP	9322	160	72687	9643	Wire Jumper, 0.58MM.	3198	036	90010
7522	Transistor, NPN, BC847B(COL)	3198	010	42030	9644	Wire Jumper, 0.58MM.	3198	036	90010
7540	Transistor, NPN, BC547B(COL)	3198	020	40030	9645	Wire Jumper, 0.58MM.	3198	036	90010
7541	Transistor, NPN, PDTA114ET	9340	310	10215	9646	Wire Jumper, 0.58MM.	3198	036	90010
7542	Transistor, PNP, BC857B(COL)	3198	010	42150	9648	Wire Jumper, 0.58MM.	3198	036	90010
7560	IC, LE33CZ	9322	106	11676	9650	Wire Jumper, 0.58MM.	3198	036	90010
7561	Transistor, NPN, PDTA143ZT	9340	547	00215	9654	Wire Jumper, 0.58MM.	3198	036	90010
7562	Transistor, PNP, BC857B(COL)	3198	010	42150	9655	Wire Jumper, 0.58MM.	3198	036	90010
7564	Transistor, PNP, BC857B(COL)	3198	010	42150	9656	Wire Jumper, 0.58MM.	3198	036	90010
7580	Transistor, PNP, BC857B(COL)	3198	010	42150	9657	Wire Jumper, 0.58MM.	3198	036	90010

S = Safety Part Be sure to use exact replacement part.

PL0125C321 (continued)

9658	Wire Jumper, 0.58MM.	3198 036 90010	3335	Res, 100 ohm, 5%, 1/6W, Carbon Film.	3198 011 01010
9659	Wire Jumper, 0.58MM.	3198 036 90010	3336	Res, 1K, 20%, 1/2W, Carbon Film. . .	3198 013 01020
9660	Wire Jumper, 0.58MM.	3198 036 90010	S 3340	Res, 10 ohm, 5%, 1/2W, Metal Film. .	2306 207 03109
9661	Wire Jumper, 0.58MM.	3198 036 90010	S 3341	Res, 1 ohm, 5%, 1/3W, Metal Film. . .	2306 204 03108
9662	Wire Jumper, 0.58MM.	3198 036 90010	S 3342	Res, 1 ohm, 5%, 1/3W, Metal Film. . .	2306 204 03108
9663	Wire Jumper, 0.58MM.	3198 036 90010	3343	Res, 1K5, 20%, 1/2W, Carbon Film. . .	3198 013 01520
9664	Wire Jumper, 0.58MM.	3198 036 90010	3344	Res, 22 ohm, 5%, 1/6W, Carbon Film. .	3198 011 02290
9665	Wire Jumper, 0.58MM.	3198 036 90010	3345	VDR DC 1MA/ 50V S MAX 115V A. . . .	2322 593 13507
9666	Wire Jumper, 0.58MM.	3198 036 90010	3346	Res, 22 ohm, 5%, 1/6W, Carbon Film. .	3198 011 02290
9668	Wire Jumper, 0.58MM.	3198 036 90010	3347	Res, Zero ohm, Chip Jumper.	3198 021 90020
9669	Wire Jumper, 0.58MM.	3198 036 90010	3350	Res, Zero ohm, Chip Jumper.	3198 021 90020
9670	Wire Jumper, 0.58MM.	3198 036 90010	3353	Res, Zero ohm, Chip Jumper.	3198 021 90020
9674	Wire Jumper, 0.58MM.	3198 036 90010	5342	Coil, 22u.	2422 535 97333
9675	Wire Jumper, 0.58MM.	3198 036 90010	6331	Diode, Signal, BAV21.	3198 010 10070
9676	Wire Jumper, 0.58MM.	3198 036 90010	6332	Diode, Signal, BAS316.	3198 010 10630
9678	Wire Jumper, 0.58MM.	3198 036 90010	6333	Diode, Signal, BAV21.	3198 010 10070
9679	Wire Jumper, 0.58MM.	3198 036 90010	6335	Diode, Signal, BAV21.	3198 010 10070
9680	Wire Jumper, 0.58MM.	3198 036 90010	7330	IC, TDA6107Q/N2.	9352 576 50112
9683	Wire Jumper, 0.58MM.	3198 036 90010	9311	Wire Jumper, 0.58MM.	3198 036 90010
9685	Wire Jumper, 0.58MM.	3198 036 90010	9341	Wire Jumper, 0.58MM.	3198 036 90010
9686	Wire Jumper, 0.58MM.	3198 036 90010	9342	Wire Jumper, 0.58MM.	3198 036 90010
9687	Wire Jumper, 0.58MM.	3198 036 90010	9343	Wire Jumper, 0.58MM.	3198 036 90010
9688	Wire Jumper, 0.58MM.	3198 036 90010			
9689	Wire Jumper, 0.58MM.	3198 036 90010			
9690	Wire Jumper, 0.58MM.	3198 036 90010			
9691	Wire Jumper, 0.58MM.	3198 036 90010			
9694	Wire Jumper, 0.58MM.	3198 036 90010			
9695	Wire Jumper, 0.58MM.	3198 036 90010			
9697	Wire Jumper, 0.58MM.	3198 036 90010			
9698	Wire Jumper, 0.58MM.	3198 036 90010			
9699	Wire Jumper, 0.58MM.	3198 036 90010			
9821	Wire Jumper, 0.58MM.	3198 036 90010			
9822	Wire Jumper, 0.58MM.	3198 036 90010			
9824	Wire Jumper, 0.58MM.	3198 036 90010			
9825	Wire Jumper, 0.58MM.	3198 036 90010			
9827	Wire Jumper, 0.58MM.	3198 036 90010			
9828	Wire Jumper, 0.58MM.	3198 036 90010			
9829	Wire Jumper, 0.58MM.	3198 036 90010			
9830	Wire Jumper, 0.58MM.	3198 036 90010			
9831	Wire Jumper, 0.58MM.	3198 036 90010			
9832	Wire Jumper, 0.58MM.	3198 036 90010			
9834	Wire Jumper, 0.58MM.	3198 036 90010			
9835	Wire Jumper, 0.58MM.	3198 036 90010			
9836	Wire Jumper, 0.58MM.	3198 036 90010			
9837	Wire Jumper, 0.58MM.	3198 036 90010			
9838	Wire Jumper, 0.58MM.	3198 036 90010			
9839	Wire Jumper, 0.58MM.	3198 036 90010			
9840	Wire Jumper, 0.58MM.	3198 036 90010			
9841	Wire Jumper, 0.58MM.	3198 036 90010			
9842	Wire Jumper, 0.58MM.	3198 036 90010			
9843	Wire Jumper, 0.58MM.	3198 036 90010			
9844	Wire Jumper, 0.58MM.	3198 036 90010			
9845	Wire Jumper, 0.58MM.	3198 036 90010			
9846	Wire Jumper, 0.58MM.	3198 036 90010			
9847	Wire Jumper, 0.58MM.	3198 036 90010			
9901	Wire Jumper, 0.58MM.	3198 036 90010			
9902	Wire Jumper, 0.58MM.	3198 036 90010			
9904	Wire Jumper, 0.58MM.	3198 036 90010			
9905	Wire Jumper, 0.58MM.	3198 036 90010			
9911	Wire Jumper, 0.58MM.	3198 036 90010			
9912	Wire Jumper, 0.58MM.	3198 036 90010			
9913	Wire Jumper, 0.58MM.	3198 036 90010			
9914	Wire Jumper, 0.58MM.	3198 036 90010			
9915	Wire Jumper, 0.58MM.	3198 036 90010			
9916	Wire Jumper, 0.58MM.	3198 036 90010			
9918	Wire Jumper, 0.58MM.	3198 036 90010			
9919	Wire Jumper, 0.58MM.	3198 036 90010			
9920	Wire Jumper, 0.58MM.	3198 036 90010			
9921	Wire Jumper, 0.58MM.	3198 036 90010			
9922	Wire Jumper, 0.58MM.	3198 036 90010			
9991	Wire Jumper, 0.58MM.	3198 036 90010			
9996	Wire Jumper, 0.58MM.	3198 036 90010			
9998	Wire Jumper, 0.58MM.	3198 036 90010			
CBA	Main Chassis Assembly.	3139 177 28171			

CRT Panel Parts (Part of Main Chassis)

	CRT Panel Parts (Part of Main Chassis)				
0244	Connector, 5 Pin	2422 025 04853			
0245	Connector, 6 Pin	2422 025 04854			
S 0254	CRT Socket, 9 Pin.	2422 500 80076			
2330	Cap, 100n, 10%, 250v, Metallized Poly ester.	2222 368 90177			
2340	Cap, 10u, 20%, 250v, Electrolytic.	2020 012 93495			
2341	Cap, 3n3, 10%, 500v, Ceramic	3198 019 43320			
2342	Cap, 560p, 5%, 50v, Ceramic.	3198 016 05610			
2343	Cap, 3n3, 10%, 2000v, Ceramic.	2020 558 90529			
2344	Cap, 100n, +80/-20%, 25v, Ceramic.	3198 023 21040			
2345	Cap, 1n, 10%, 500v, Ceramic.	3198 019 41020			
3331	Res, 100 ohm, 5%, 1/6W, Carbon Film.	3198 011 01010			
3332	Res, 1K, 20%, 1/2W, Carbon Film.	3198 013 01020			
3333	Res, 100 ohm, 5%, 1/6W, Carbon Film.	3198 011 01010			
3334	Res, 1K, 20%, 1/2W, Carbon Film.	3198 013 01020			

S = Safety Part. Be sure to use exact replacement part.

PL0127C321 - Manual no. 7629

Cabinet & Accessory Parts						
Cabinet & Accessory Parts				2226	Cap, 100p, 5%, 50v, Ceramic.	
Main Chassis Assembly Parts				2227	Cap, 4n7, 10%, 50v, Ceramic.	
7200	IC, SM TDA9563H/N1/3/0485.	4835	310	57624	2228	Cap, 820p, 5%, 25v, Ceramic.
Cabinet & Accessory Parts					2229	Cap, 10u, 20%, 50v, Electrolytic
S AC01	Mains Cord	3135	010	07161	2241	Cap, 1n5, 10%, 50v, Ceramic.
AC04	Cabinet Back, (ITV) w/Smartport.	3135	124	00131	2242	Cap, 1u, +80/-20%, 10v, Ceramic.
AC08	Clip, Mainscord (Not Shown).	3135	014	09331	2243	Cap, 2n2, 10%, 50v, Ceramic.
AC09	Clip, Anode Lead	3135	014	04471	2244	Cap, 100n, 5%, 63v, Metalized Polyest
S AC10	CRT A68AJB82X11.	9301	891	90631		er.
AC11	Customer Control Buttons	3139	124	30901	2245	Cap, 220n, +80/-20%, 16v, Ceramic.
AC12	Coil, Degaussing	2422	549	43967	2247	Cap, 1000u, 20%, 16v, Electrolytic
AC13	Holder, Degaussing (4 Used).	3135	013	01641	2248	Cap, 22n, 10%, 50v, Ceramic.
AC16	Owner's Manual	3135	015	16021	2249	Cap, 22n, 10%, 25v, Ceramic.
AC20	Cabinet, Front Assembly - Model PL0127C321.	3121	237	52391	2250	Cap, 2u2, 20%, 50v, Electrolytic
AC20A	Cabinet Front, Lodging	3135	127	50011	2252	Cap, 1n, 5%, 50v, Ceramic.
AC20B	Chassis Guide.	3139	124	31381	2253	Cap, 1n, 5%, 50v, Ceramic.
AC20D	Light Guide.	3139	124	26461	2254	Res, Zero ohm, "Chip" Jumper
AC20E	Nameplate.	3135	015	03571	2405	Cap, 220u, 20%, 25v, Electrolytic.
AC20F	Power Button	3139	124	26444	2441	Cap, 1u, 20%, 50v, Electrolytic.
AC20J	Speaker, 16R, 1W5 (2 Used)	2422	264	00343	2443	Cap, 47n, +80/-20%, 50v, Ceramic
AC20L	Chassis Guide (ITV) (Not Shown).	3139	124	41711	2444	Cap, 1u, 20%, 50v, Electrolytic.
AC22	Spring	3139	121	26231	2450	Cap, 47u, 20%, 160v, Electrolytic.
AC27	Bracket, Power Button (Not Shown).	3135	121	20061	2451	Cap, 15n, 10%, 50v, Polyester.
AC23	Braid, Assembly.	3135	010	07311	2452	Res, Zero ohm, "Chip" Jumper
CBA	SP/LS (VERT). Module-ITV	3139	127	27372	2455	Cap, 47u, 20%, 25v, Electrolytic
Main Chassis Assembly Parts					2457	Cap, 470n, 5%, 250v, Polypropylene
Main Chassis Assembly Parts					2458	Cap, 2u2, 20%, 100v, Electrolytic.
1000	Tuner, V+U PLL	2422	542	90108	2459	Cap, 680p, 10%, 500v, Ceramic.
7200	IC, SM TDA9587H/N1/3/0485.	4835	310	57618	2460	Cap, 100p, 5%, 50v, Ceramic.
0040	Cover, Cinch	3139	124	25551	2462	Cap, 330n, 10%, 250v, Polypropylene
0118	U-Cooling Plate.	3139	121	26731	2463	Cap, 680p, 10%, 2000v, Ceramic
0122	Heatsink	3139	121	62263	2465	Cap, 11n, 5%, 1600v, Polypropylene
0124	Heatsink, SOPS	3139	121	62201	2471	Cap, 100n, 10%, 50v, Polyester
0127	Socket, Fuse	2422	088	00271	2472	Cap, 150n, 10%, 63v, Polyester
0129	NTC, Holder.	3139	120	10151	2473	Cap, 100n, 10%, 63v, Polyester
0137	Spring	3139	121	24581	2474	Cap, 2n2, 10%, 50v, Ceramic.
0138	IC-Spring.	3104	301	22081	2475	Cap, 2n2, 10%, 50v, Ceramic.
0139	Spring for Bracket	3122	121	24786	2476	Cap, 4n7, 10%, 50v, Ceramic.
0141	IC-Spring.	3104	301	22081	2480	Cap, 47u, 20%, 25v, Electrolytic
0152	Cable, DIP, 6 Pin, 400mm	3104	301	09421	2481	Cap, 470p, 10%, 500v, Ceramic.
0153	Cable, DIPMate, 5 Pin, 480mm	3139	121	07951	2482	Cap, 68n, 10%, 250v, Polyester
0165	Ground Terminal Assembly 340mm	3139	121	08883	2485	Cap, 4u7, 20%, 250v, Electrolytic.
S 0211	Connector, 2 Pin	2422	025	16374	2486	Cap, 470u, 20%, 16v, Electrolytic.
S 0212	Connector, 2 Pin	2422	025	16375	2487	Cap, 47u, 20%, 50v, Electrolytic
0218	Socket, Cinch, 3 Pin	2422	026	04742	2488	Cap, 1000u, 20%, 16v, Electrolytic
S 0220	Connector, 5 Pin	2422	025	04853	2489	Cap, 470u, 20%, 16v, Electrolytic.
S 0221	Connector, 4 Pin	2422	025	15503	2491	Cap, 1n, 10%, 500v, Ceramic.
S 0222	Connector, 2 Pin	2422	025	10646	2500	Cap, 470n, 20%, 275v, Polypropylene.
0240	Connector, 7 Pin	2422	025	11244	2501	Cap, 2n2, 10%, 1000v, Ceramic.
S 0243	Connector, 6 Pin	2422	025	04854	2502	Cap, 2n2, 10%, 1000v, Ceramic.
0246	Connector, 5 Pin	2422	025	12481	2503	Cap, 470u, 20%, 200v, Electrolytic
0251	Connector, 3 Pin	2412	020	00725	2505	Cap, 2n2, 10%, 1000v, Ceramic.
0259	Connector, 5 Pin	2422	025	15848	2507	Cap, 470p, 10%, 50v, Ceramic.
0262	Connector, 3 Pin	2422	025	16937	2508	Cap, 470p, 10%, 1000v, Ceramic.
0267	Connector, 3 Pin	2412	020	00725	S 2515	Cap, 1n5, 20%, v, Ceramic.
1002	SAW Filter, 45MHz75, OFWM1971M	2422	549	44518	2520	Cap, 100n, 10%, 16v, Ceramic
1200	Filter, Ceramic, 4MHz5	2422	549	40807	2521	Cap, 22u, 20%, 50v, Electrolytic
S 1500	Fuse, 4A, 250V, IEC	2422	086	10869	2522	Cap, 100n, 10%, 16v, Ceramic
S 1515	Relay, 12V, 5A G5PA-1.	2422	132	07444	2523	Cap, 1n5, 10%, 2000v, Ceramic.
1600	Switch, Tactile.	2422	128	02742	2525	Cap, 470p, 10%, 50v, Ceramic.
1601	Switch, Tactile.	2422	128	02742	2527	Cap, 2n2, 10%, 50v, Ceramic.
1602	Switch, Tactile.	2422	128	02742	2528	Cap, 1n, 10%, 50v, Ceramic.
1603	Switch, Tactile.	2422	128	02742	2528	Cap, 10n, 10%, 50v, Ceramic.
1606	Switch, Tactile.	2422	128	02742	2541	Cap, 10n, 10%, 50v, Ceramic.
1660	Crystal, 12MHz000.	2422	543	01203	2560	Cap, 680p, 10%, 1000v, Ceramic
1861	Ceramic Resonator, 514KHz5, CSB503F58	2422	540	98344	2561	Cap, 100u, 20%, 160v, Electrolytic
2004	Cap, 47n, 10%, 16v, Ceramic.	3198	017	34730	2562	Cap, 1n, 10%, 50v, Ceramic
2005	Cap, 10u, 20%, 50v, Electrolytic	3198	025	51090	2563	Cap, 100n, 10%, 50v, Polyester
2006	Cap, 470u, 20%, 16v, Electrolytic.	3198	025	24710	2564	Cap, 2u2, 20%, 25v, Electrolytic
2007	Cap, 100n, +80/-20%, 25v, Ceramic.	3198	023	41040	2567	Cap, 47u, 20%, 25v, Electrolytic
2008	Cap, 100u, 20%, 25v, Electrolytic.	3198	025	31010	2568	Cap, 1u, 20%, 50v, Electrolytic.
2009	Cap, 22n, 10%, 25v, Ceramic.	3198	017	32230	2580	Cap, 47u, 20%, 16v, Electrolytic
2181	Cap, 22p, 5%, 50v, Ceramic	3198	016	02290	2581	Cap, 22u, 20%, 50v, Electrolytic
2182	Cap, 330p, 10%, 50v, Ceramic	3198	017	33310	2601	Cap, 220n, +80/-20%, 25v, Ceramic.
2183	Cap, 330p, 10%, 50v, Ceramic	3198	017	33310	2602	Cap, 100p, 5%, 50v, Ceramic.
2184	Res, Zero ohm, "Chip" Jumper	3198	021	90020	2606	Cap, 1n, 10%, 50v, Ceramic.
2202	Cap, 100n, +80/-20%, 25v, Ceramic.	3198	023	21040	2607	Cap, 33p, 5%, 50v, Ceramic
2203	Cap, 100n, +80/-20%, 25v, Ceramic.	3198	023	21040	2608	Cap, 1u, +80/-20%, 10v, Ceramic.
2204	Cap, 100n, +80/-20%, 25v, Ceramic.	3198	023	41040	2609	Cap, 33p, 5%, 50v, Ceramic
2205	Cap, 220n, +80/-20%, 25v, Ceramic.	3198	023	22240	2611	Cap, 1u, +80/-20%, 10v, Ceramic.
2208	Cap, 100n, +80/-20%, 25v, Ceramic.	3198	023	41040	2612	Cap, 68p, 5%, 50v, Ceramic
2209	Cap, 4u7, 20%, 50v, Electrolytic	3198	025	54780	2613	Cap, 68p, 5%, 50v, Ceramic
2210	Cap, 1u, +80/-20%, 16v, Ceramic	3198	017	21050	2615	Cap, 1n, 10%, 50v, Ceramic
2211	Cap, 470n, +80/-20%, 16v, Ceramic.	3198	017	24740	2616	Cap, 470n, +80/-20%, 16v, Ceramic.
2216	Cap, 1000u, 20%, 16v, Electrolytic	3198	026	21020	2618	Cap, 1u, +80/-20%, 10v, Ceramic.
2217	Cap, 22n, 10%, 25v, Ceramic.	3198	017	32230	2619	Cap, 1u, +80/-20%, 16v, Ceramic.
2219	Cap, 220n, +80/-20%, 25v, Ceramic.	3198	023	22240	2691	Cap, 220u, 20%, 25v, Electrolytic.
					2803	Cap, 2u2, +80/-20%, 10v, Ceramic
					2804	Cap, 2u2, +80/-20%, 10v, Ceramic
					2805	Res, Zero ohm, "Chip" Jumper
					2806	Res, Zero ohm, "Chip" Jumper
					2861	Cap, 220n, +80/-20%, 16v, Ceramic.

S = Safety Part Be sure to use exact replacement part.

PL0127C321 (continued)

2862	Cap, 2u2, +80/-20%, 10v, Ceramic . . .	3198 017 22250	3454	Res, 3K9, 1%, 3/5W, Metal Film . . .	2312 915 13902
2864	Cap, 2u2, 20%, 50v, Electrolytic . . .	3198 025 52280	3455	Res, 6R8, 5%, 1 1/3W, Metal Film . . .	3198 012 26880
2865	Cap, 2u2, 20%, 50v, Electrolytic . . .	3198 025 52280	3456	Res, Zero ohm, "Chip" Jumper	3198 021 90020
2866	Cap, 2u2, +80/-20%, 10v, Ceramic . . .	3198 017 22250	3457	Res, Zero ohm, "Chip" Jumper	3198 021 90020
2867	Cap, 3n3, 10%, 50v, Ceramic	3198 017 03320	3458	Res, 1K, 5%, 1/6W, Carbon Film	3198 011 01020
2868	Cap, 150p, 5%, 50v, Ceramic	3198 016 31510	3459	Res, 15K, 5%, 1 1/3W, Metal Film	3198 012 21530
2869	Cap, 47n, 10%, 50v, Polyester	3198 014 04730	3460	Res, 3K9, 5%, 1/6W, Carbon Film	3198 011 03920
2870	Cap, 47n, 10%, 50v, Polyester	3198 014 04730	3463	Res, 33 ohm, 5%, 1/6W, Carbon Film	3198 011 03390
2871	Cap, 150p, 5%, 50v, Ceramic	3198 016 31510	3465	Res, 27K, 1%, 3/5W, Metal Film	2312 915 12703
2872	Cap, 3n3, 10%, 50v, Ceramic	3198 017 03320	3468	Res, 220 ohm, 5%, 1/6W, Carbon Film	3198 011 02210
2873	Cap, 2u2, +80/-20%, 10v, Ceramic	3198 017 22250	3469	Res, 3K3, 5%, 1/6W, Carbon Film	3198 011 03320
2874	Cap, 100u, 20%, 25v, Electrolytic	3198 025 31010	3470	Res, 330K, 5%, 1/10W, Metalized Glass	3198 021 53340
2875	Cap, 100u, 20%, 25v, Electrolytic	3198 025 31010	3471	Res, 3R3, 1%, 3/5W, Metal Film	2312 915 13308
2876	Cap, 4u7, 20%, 50v, Electrolytic	3198 025 54780	3472	Res, 3R3, 1%, 3/5W, Metal Film	2312 915 13308
2877	Cap, 10u, 20%, 50v, Electrolytic	3198 025 51090	3473	Res, 3R3, 1%, 3/5W, Metal Film	2312 915 13308
2878	Cap, 1u, 20%, 50v, Electrolytic	3198 025 51080	3474	Res, 2K2, 1%, 3/5W, Metal Film	2312 915 12202
2879	Cap, 4n7, 10%, 50v, Ceramic	3198 017 34720	3475	Res, 2K2, 1%, 3/5W, Metal Film	2312 915 12202
2880	Cap, 22n, 10%, 25v, Ceramic	3198 017 32230	3477	Res, 150 ohm, 5%, 1/6W, Carbon Film	3198 011 01510
2883	Cap, 470u, 20%, 16v, Electrolytic	3198 025 24710	3478	Res, 150 ohm, 5%, 1/6W, Carbon Film	3198 011 01510
2884	Cap, 2u2, 20%, 50v, Electrolytic	3198 025 52280	3479	Res, 2K7, 5%, 1/10W, Metalized Glass	3198 021 52720
2885	Cap, 220n, 10%, 50v, Polyester	3198 014 02240	3480	Res, 1R5, 5%, 1/4W, Carbon Film	2120 101 74158
2886	Cap, 220n, +80/-20%, 16v, Ceramic	3198 017 42240	3481	Res, 12K, 1%, 3/5W, Metal Film	2312 915 11203
2902	Cap, 220u, 20%, 50v, Electrolytic	3198 026 52210	3482	Res, 12K, 1%, 3/5W, Metal Film	2312 915 11203
2903	Cap, 1u, 20%, 50v, Electrolytic	3198 025 51080	3484	Res, 3K9, 5%, 1/6W, Carbon Film	3198 011 03920
2904	Cap, 470n, +80/-20%, 16v, Ceramic	3198 017 24740	3486	Res, 33 ohm, 5%, 2 1/2W, Metal Film	3198 012 33390
2905	Cap, 1n, 10%, 50v, Ceramic	3198 017 01020	3488	Res, 4R7, 5%, 1/2W, Metal Film	2306 207 03478
2906	Cap, 470n, +80/-20%, 16v, Ceramic	3198 017 24740	3490	Res, 8K2, 5%, 1/6W, Carbon Film	3198 011 08220
2907	Cap, 1n, 10%, 50v, Ceramic	3198 017 01020	3492	Res, 1K, 5%, 1/10W, Metalized Glass	3198 021 51020
2908	Cap, 10u, 20%, 50v, Electrolytic	3198 025 51090	3493	Res, 6R8, 5%, 1/3W, Metal Film	2306 204 03688
2910	Cap, 3n3, 10%, 50v, Ceramic	3198 017 03320	3494	Res, 4R7, 5%, 1/2W, Metal Film	2306 207 03478
2911	Cap, 3n3, 10%, 50v, Ceramic	3198 017 03320	3495	Res, 22K, 5%, 1/10W, Metalized Glass	3198 021 52230
2950	Cap, 330p, 5%, 50v, Ceramic	3198 016 33310	3496	Res, 100K, 5%, 1/10W, Metalized Glass	3198 021 51040
3000	Res, 100 ohm, 5%, 1/6W, Carbon Film	3198 011 01010	3497	Res, 100K, 5%, 1/10W, Metalized Glass	3198 021 51040
3001	Res, 100 ohm, 5%, 1/6W, Carbon Film	3198 011 01010	3498	Res, 12K, 5%, 1/10W, Metalized Glass	3198 021 51230
3002	Res, Zero ohm, "Chip" Jumper	3198 021 90020	3499	Res, 10K, 5%, 1/10W, Metalized Glass	3198 021 51030
3003	Res, 1K5, 5%, 1/16W, Metalized Glass	3198 021 31520	S 3500	Res, 3M3, 5%, 1/2W, Metalized Glass	2322 242 13335
3004	Res, 8K2, 5%, 1/10W, Metalized Glass	3198 021 58220	S 3501	Res, 3M3, 5%, 1/2W, Metalized Glass	2322 242 13335
3005	Res, 100 ohm, 5%, 1/6W, Carbon Film	3198 011 01010	S 3504	PTC, DC, 120V, P3020 B	2120 661 00025
3181	Res, 75 ohm, 5%, 1/6W, Carbon Film	3198 011 07590	S 3506	Res, 1M5, 5%, 1/2W, Metalized Glass	2322 242 13155
3182	Res, 100 ohm, 5%, 1/6W, Carbon Film	3198 011 01010	S 3507	Surge Protector	2422 549 40373
3183	Res, 150 ohm, 5%, 1/6W, Carbon Film	3198 011 01510	S 3508	Res, 220 ohm, 20%, 1/2W, Carbon Film	3198 013 02210
3184	Res, 47K, 5%, 1/16W, Metalized Glass	3198 021 34730	S 3510	NTC, DC, B57237, 3W1, 4R7, 20%	2122 612 00056
3185	Res, 150 ohm, 5%, 1/6W, Carbon Film	3198 011 01510	3519	Res, 270 ohm, 5%, 1/6W, Carbon Film	3198 011 02710
3186	Res, 47K, 5%, 1/16W, Metalized Glass	3198 021 34730	3520	Res, 1K2, 5%, 1/10W, Metalized Glass	3198 021 51220
3200	Res, 390 ohm, 5%, 1/6W, Carbon Film	3198 011 03910	3521	Res, 4R7, 5%, 1/6W, Carbon Film	3198 011 04780
3201	Res, 100 ohm, 5%, 1/6W, Carbon Film	3198 011 01010	3522	Res, 330K, 1%, 1/8W, Metalized Glass	2322 734 63304
3202	Res, 100 ohm, 5%, 1/6W, Carbon Film	3198 011 01010	S 3523	Res, 100 ohm, 5%, 1/3W, Metal Film	2306 204 03101
3203	Res, 100 ohm, 5%, 1/6W, Carbon Film	3198 011 01010	3524	Res, 56K, 5%, 1/10W, Metalized Glass	3198 021 55630
3204	Res, 22K, 5%, 1/6W, Carbon Film	3198 011 02230	3525	Res, 1K, 5%, 1/10W, Metalized Glass	3198 021 51020
3206	Res, 33K, 5%, 1/16W, Metalized Glass	3198 021 33330	3526	Res, 0R1, 5%, 3/5W, Metal Film	3198 012 11070
3207	Res, 1K, 5%, 1/6W, Carbon Film	3198 011 01020	3527	Res, 0R33, 5%, 3/5W, Metal Film	3198 012 13370
3208	Res, 220 ohm, 5%, 1/16W, Metalized Gl		3528	Res, Zero ohm, "Chip" Jumper	3198 021 90020
	ass.	3198 021 32210	3529	Res, 47K, 5%, 1/10W, Metalized Glass	3198 021 54730
3209	Res, 68 ohm, 5%, 1/16W, Metalized Gla		3530	Res, 10K, 5%, 1/10W, Metalized Glass	3198 021 51030
	ss.	3198 021 36890	3531	Res, 4K7, 5%, 1/10W, Metalized Glass	3198 021 54720
3212	Res, 470 ohm, 5%, 1/16W, Metalized Gl		S 3532	Res, 2K2, 5%, 1/3W, Metal Film	2306 204 03222
	ass.	3198 021 34710	3541	Res, 470 ohm, 5%, 1/10W, Metalized Gl	
3213	Res, 560 ohm, 5%, 1/6W, Carbon Film	3198 011 05610		ass.	3198 021 54710
3217	Res, 330K, 5%, 1/16W, Metalized Glass	3198 021 33340	3542	Res, 1K5, 5%, 1/10W, Metalized Glass	3198 021 51520
3218	Res, 82K, 5%, 1/10W, Metalized Glass	3198 021 58230	3543	Res, 82K, 1%, 3/5W, Metal Film	2312 915 18203
3219	Res, 2K2, 5%, 1/16W, Metalized Glass	3198 021 32220	3544	Res, 4K7, 1%, 1/8W, Metalized Glass	2322 734 64702
3226	Res, 560 ohm, 5%, 1/16W, Metalized Gl		3545	Res, 270K, 5%, 1/8W, Metalized Glass	2322 730 61274
	ass.	3198 021 35610	3548	Res, 15K, 5%, 1/10W, Metalized Glass	3198 021 51530
3232	Res, 2K2, 5%, 1/16W, Metalized Glass	3198 021 32220	3552	Res, 4K7, 5%, 1/10W, Metalized Glass	3198 021 54720
3235	Res, 100 ohm, 5%, 1/6W, Carbon Film	3198 011 01010	3557	Res, 1K, 5%, 1/10W, Metalized Glass	3198 021 51020
3241	Res, 22K, 5%, 1/10W, Metalized Glass	3198 021 52230	3561	Res, 100 ohm, 5%, 1/6W, Carbon Film	3198 011 01010
3242	Res, 12K, 5%, 1/10W, Metalized Glass	3198 021 51230	3562	Res, 12K, 5%, 1/10W, Metalized Glass	3198 021 51230
3244	Res, 820 ohm, 5%, 1/6W, Carbon Film	3198 011 08210	3563	Res, 5K6, 5%, 1/10W, Metalized Glass	3198 021 55620
3245	Res, 39K, 1%, 1/8W, Metalized Glass	2322 734 63903	3564	Res, 0R1, 5%, 1 1/3W, Metal Film	3198 012 21070
3246	Res, 10K, 5%, 1/10W, Metalized Glass	3198 021 51030	3565	Res, 330 ohm, 5%, 1W, Metal Film	3198 012 13310
3247	Res, 680K, 5%, 1/10W, Metalized Glass	3198 021 56840	3566	Res, 2K2, 5%, 1/10W, Metalized Glass	3198 021 52220
3248	Res, 33K, 5%, 1/10W, Metalized Glass	3198 021 53330	3567	Res, 3K3, 5%, 1/10W, Metalized Glass	3198 021 53320
3249	Res, 820 ohm, 5%, 1/6W, Carbon Film	3198 011 08210	3569	Res, 5K6, 5%, 1/10W, Metalized Glass	3198 021 55620
3250	Res, 8K2, 5%, 1/6W, Carbon Film	3198 011 08220	3580	Res, 47K, 5%, 1/10W, Metalized Glass	3198 021 54730
3251	Res, 100 ohm, 5%, 1/6W, Carbon Film	3198 011 01010	3594	Res, 330 ohm, 5%, 1/10W, Metalized Gl	
3256	Res, 1K, 5%, 1/10W, Metalized Glass	3198 021 51020		ass.	3198 021 53310
3257	Res, 10M, 5%, 1/10W, Metalized Glass	3198 021 51060	3595	Res, 220K, 5%, 1/10W, Metalized Glass	3198 021 52240
3258	Res, 100K, 5%, 1/10W, Metalized Glass	3198 021 51040	3596	Res, 220K, 5%, 1/10W, Metalized Glass	3198 021 52240
3259	Res, 470K, 5%, 1/10W, Metalized Glass	3198 021 54740	3603	Res, 100 ohm, 5%, 1/6W, Carbon Film	3198 011 01010
3441	Res, 100 ohm, 5%, 1/10W, Metalized Gl		3604	Res, 100 ohm, 5%, 1/6W, Carbon Film	3198 011 01010
	ass.	3198 021 51010	3605	Res, 4K7, 5%, 1/10W, Metalized Glass	3198 021 54720
3442	Res, Zero ohm, "Chip" Jumper	3198 021 90020	3606	Res, 2K2, 5%, 1/6W, Carbon Film	3198 011 02220
3443	Res, 1M, 5%, 1/10W, Metalized Glass	3198 021 51050	3607	Res, 2K2, 5%, 1/6W, Carbon Film	3198 011 02220
3445	Res, 15K, 5%, 1/6W, Carbon Film	3198 011 01530	3608	Res, 100 ohm, 5%, 1/6W, Carbon Film	3198 011 01010
3446	Res, 5K6, 5%, 1/6W, Carbon Film	3198 011 05620	3611	Res, 100 ohm, 5%, 1/16W, Metalized Gl	
3447	Res, 180 ohm, 5%, 1/6W, Carbon Film	3198 011 01810		ass.	3198 021 31010
3448	Res, 820 ohm, 5%, 1/6W, Carbon Film	3198 011 08210	3618	Res, 6K8, 5%, 1/6W, Carbon Film	3198 011 06820
3449	Res, 68 ohm, 5%, 1/6W, Carbon Film	3198 011 06890	3622	Res, 100 ohm, 5%, 1/10W, Metalized Gl	
3450	Res, 33 ohm, 5%, 1/6W, Carbon Film	3198 011 03390		ass.	3198 021 51010
S 3451	Res, 10 ohm, 5%, 1/3W, Metal Film	2306 204 03109	3623	Res, 4K7, 5%, 1/10W, Metalized Glass	3198 021 54720
3452	Res, 10K, 1%, 3/5W, Metal Film	2312 915 11003	3624	Res, 100 ohm, 5%, 1/6W, Carbon Film	3198 011 01010
3453	Res, 1K, 5%, 1/6W, Carbon Film	3198 011 01020	3625	Res, 100 ohm, 5%, 1/6W, Carbon Film	3198 011 01010

S = Safety Part Be sure to use exact replacement part.

PL0127C321 (continued)

3626	Res, 4K7, 5%, 1/10W, Metalized Glass	3198 021 54720	5603	Coil, 5u6.	3198 018 15680
3627	Res, 4K7, 5%, 1/10W, Metalized Glass	3198 021 54720	5604	Coil, 5u6.	3198 018 15680
3628	Res, 10K, 5%, 1/10W, Metalized Glass	3198 021 51030	5861	Coil, 10u.	3198 018 11090
3630	Res, 2K2, 5%, 1/16W, Metalized Glass	3198 021 32220	6001	Zener Diode, 33 volt	3198 010 23390
3632	Res, Zero ohm, "Chip" Jumper	3198 021 90020	6201	Diode, Signal, BAS316.	3198 010 10630
3636	Res, 100 ohm, 5%, 1/10W, Metalized Gl ass.	3198 021 51010	6202	Diode, Signal, BAS316.	3198 010 10630
3639	Res, Zero ohm, "Chip" Jumper	3198 021 90020	6206	Zener Diode, 6.8 volt.	3198 020 56880
3681	Res, 390 ohm, 5%, 1/16W, Metalized Gl ass.	3198 021 33910	6445	Zener Diode, 10 volt	3198 020 51090
3682	Res, 3K3, 5%, 1/10W, Metalized Glass	3198 021 53320	6447	Diode, Signal, 1N4148.	3198 010 10010
3683	Res, 390 ohm, 5%, 1/16W, Metalized Gl ass.	3198 021 33910	6448	Zener Diode, 6.2 volt.	9331 668 30133
3684	Res, 560 ohm, 5%, 1/16W, Metalized Gl ass.	3198 021 35610	6449	Diode, Signal, BAV99	3198 010 10620
3685	Res, 560 ohm, 5%, 1/16W, Metalized Gl ass.	3198 021 35610	6453	Zener Diode, 6.8 volt.	3198 020 56880
3686	Res, 1K5, 5%, 1/16W, Metalized Glass	3198 021 31520	6460	Diode, Rect, BY228/24	9340 559 50112
3691	Res, 330 ohm, 5%, 1/16W, Metalized Gl ass.	3198 021 33310	6461	Diode, Rect, RGP30J-L7004	9338 617 60682
3693	Res, 220 ohm, 5%, 1/16W, Metalized Gl ass.	3198 021 32210	6462	Zener Diode, 9.1 volt.	9331 177 80133
3861	Res, 100K, 5%, 1/16W, Metalized Glass	3198 021 31040	6465	Diode, Signal, BAV21	3198 010 10070
3862	Res, 15K, 5%, 1/10W, Metalized Glass	3198 021 51530	6466	Diode, Signal, BAV21	3198 010 10070
3863	Res, 1K2, 5%, 1/16W, Metalized Glass	3198 021 31220	6467	Diode, Signal, BAS316.	3198 010 10630
3864	Res, 100 ohm, 5%, 1/16W, Metalized Gl ass.	3198 021 31010	6468	Diode, Signal, BAS316.	3198 010 10630
3865	Res, 100 ohm, 5%, 1/6W, Carbon Film.	3198 011 01010	6469	Diode, Rect, BYD33J	9337 234 20133
3866	Res, 100 ohm, 5%, 1/6W, Carbon Film.	3198 011 01010	6470	Diode, Signal, BAV99	3198 010 10620
3867	Res, 3K3, 5%, 1/10W, Metalized Glass	3198 021 53320	6476	Zener Diode, 15 volt	3198 010 21590
3901	Res, 1K, 5%, 1/10W, Metalized Glass.	3198 021 51020	6481	Zener Diode, 5.6 volt.	3198 010 25680
3902	Res, 3K3, 5%, 1/10W, Metalized Glass	3198 021 53320	6482	Zener Diode, 9.1 volt.	9331 177 80133
3903	Res, 3K3, 5%, 1/10W, Metalized Glass	3198 021 53320	6483	Zener Diode, 33 volt	3198 010 23390
3904	Res, 10K, 5%, 1/10W, Metalized Glass	3198 021 51030	6485	Diode, Rect, BYD33J	9337 234 20133
3905	Res, 3K3, 5%, 1/10W, Metalized Glass	3198 021 53320	6486	Diode, Rect, EGP20DL-5100	9322 164 42682
3906	Res, 10K, 5%, 1/10W, Metalized Glass	3198 021 51030	6487	Diode, Rect, BYD33D	9337 234 00133
3907	Res, 8K2, 5%, 1/10W, Metalized Glass	3198 021 58220	6488	Diode, Rect, EGP20DL-5100	9322 164 42682
4001	Res, Zero ohm, "Chip" Jumper	3198 021 90020	6500	Diode, Bridge Rect, GBU4JL-7002	9322 132 55667
4002	Res, Zero ohm, "Chip" Jumper	3198 021 90020	6520	Diode, Rect, BYD33D	9337 234 00133
4181	Res, Zero ohm, "Chip" Jumper	3198 021 90020	6523	Diode, Signal, 1N4148.	3198 010 10010
4214	Res, Zero ohm, "Chip" Jumper	3198 021 90020	6524	Diode, Rect, 1N5062	3198 010 10120
4216	Res, Zero ohm, "Chip" Jumper	3198 021 90020	6525	Diode, Rect, 1N5062	3198 010 10120
4217	Res, Zero ohm, "Chip" Jumper	3198 021 90020	6526	Zener Diode, 22 volt	3198 020 52290
4401	Res, Zero ohm, "Chip" Jumper	3198 021 90020	6540	Zener Diode, 6.2 volt.	9331 668 30133
4402	Res, Zero ohm, "Chip" Jumper	3198 021 90020	6541	Zener Diode, 10 volt	3198 020 51090
4430	Res, Zero ohm, "Chip" Jumper	3198 021 90020	6560	Diode, Rect, BYV29X-500	9340 555 59127
4500	Res, Zero ohm, "Chip" Jumper	3198 021 90020	6561	Diode, Rect, SB340L-7010.	9322 128 18682
4604	Res, 3K3, 5%, 1/10W, Metalized Glass	3198 021 53320	6563	Diode, Signal, BAS316.	3198 010 10630
4613	Res, Zero ohm, "Chip" Jumper	3198 021 90020	6565	Diode, Signal, BAV70	9331 849 10215
4614	Res, Zero ohm, "Chip" Jumper	3198 021 90020	6566	Diode, Signal, 1N4148.	3198 010 10010
4615	Res, Zero ohm, "Chip" Jumper	3198 021 90020	6569	Diode, Signal, BAS316.	3198 010 10630
4617	Res, Zero ohm, "Chip" Jumper	3198 021 90020	6570	Zener Diode, 6.8 volt.	3198 020 56880
4619	Res, Zero ohm, "Chip" Jumper	3198 021 90020	6580	Diode, Signal, BAS316.	3198 010 10630
4622	Res, Zero ohm, "Chip" Jumper	3198 021 90020	6681	Diode, Signal, BAT85	9336 247 60133
4623	Res, Zero ohm, "Chip" Jumper	3198 021 90020	6691	LED, LTL-10224WHCR.	9322 050 99682
4691	Res, Zero ohm, "Chip" Jumper	3198 021 90020	6692	IR Receiver, TSOP1836UH3V	9322 127 54667
4692	Res, Zero ohm, "Chip" Jumper	3198 021 90020	6901	Res, Zero ohm, "Chip" Jumper	3198 021 90020
4693	Res, Zero ohm, "Chip" Jumper	3198 021 90020	6903	Diode, Rect, 1N5062	3198 010 10120
4696	Res, Zero ohm, "Chip" Jumper	3198 021 90020	7200	IC, TDA9588H/N1/3.	9352 693 09557
4803	Res, Zero ohm, "Chip" Jumper	3198 021 90020	7201	Transistor, NPN, BC847B.	3198 010 42030
4805	Res, Zero ohm, "Chip" Jumper	3198 021 90020	7204	Transistor, PNP, BC857B.	3198 010 42150
4807	Res, Zero ohm, "Chip" Jumper	3198 021 90020	7441	Transistor, PNP, BC857B.	3198 010 42150
4809	Res, Zero ohm, "Chip" Jumper	3198 021 90020	7443	Transistor, PNP, BC557B.	3198 020 40110
4901	Res, Zero ohm, "Chip" Jumper	3198 021 90020	7450	Transistor, PNP, PDTA114ET	3198 010 44010
4903	Res, Zero ohm, "Chip" Jumper	3198 021 90020	7460	Transistor, NPN, BU4508DX.	9340 550 92127
4982	Res, Zero ohm, "Chip" Jumper	3198 021 90020	7461	Transistor, NPN, BC337-25.	3198 020 43530
5001	Coil, 27u.	3198 018 22790	7462	Transistor, NPN, PUTC143ZT	9340 547 00215
5002	Coil, 820n	3198 018 18270	7463	Transistor, PNP, BC327-25.	3198 020 43430
5201	Coil, 6u8.	3198 018 16880	7471	IC, TDA8359J/N2.	9352 701 64112
5202	Wire Jumper, 0.58MM.	3198 036 90010	7480	Transistor, NPN, BD135	3198 020 41010
5204	Fixed, Inductor, 100MHZ, 80 ohm.	3198 018 90020	7482	Transistor, NPN, BD135	3198 020 41010
5205	Fixed, Inductor, 100MHZ, 80 ohm.	3198 018 90020	S 7515	Optic, Coupler, TCET1104(G).	9322 175 72667
5206	Fixed, Inductor, 100MHZ, 80 ohm.	3198 018 90020	7520	IC, TEA1507P/N1.	9352 673 56112
5241	Wire Jumper, 0.58MM.	3198 036 90010	7521	FET Power, STP8NC50FP.	9322 160 72687
5242	Coil, 10u.	3198 018 11090	7522	Transistor, NPN, BC847B.	3198 010 42030
S 5445	Transformer, SLOT, 1342.0043B Y.	2422 531 02506	7540	Transistor, NPN, BC547B.	3198 020 40030
5451	Coil, 33u.	3198 018 73390	7541	Transistor, NPN, PUTC114ET	9340 310 10215
5452	Fixed, Inductor, 100MHZ, 80 ohm.	3198 018 90020	7542	Transistor, PNP, BC857B.	3198 010 42150
5457	Coil, 42u.	2422 535 94865	7560	IC, LE33CZ	9322 106 11676
5461	Transformer, Signal Driver, SC10015-0 0 B.	2422 531 02465	7561	Transistor, NPN, PUTC143ZT	9340 547 00215
5471	Coil, 3u3.	3198 018 73380	7580	Transistor, PNP, BC857B.	3198 010 42150
5472	Coil, 3u3.	3198 018 23380	7602	IC, M24C16-WBN6.	9322 147 25682
5480	Coil, 39u.	2422 535 97336	7861	IC, TDA9853H/V1.	9352 671 19557
S 5501	Filter, Mains, 5mH, 2A	2422 549 43432	7901	IC, AN7522N	9322 181 41682
S 5520	Transformer, Layer, SS39009-04 B	2422 531 02459	9001	Wire Jumper, 0.58MM.	3198 036 90010
5521	Fixed, Inductor, 100MHZ, 50R.	3198 018 90010	9171	Wire Jumper, 0.58MM.	3198 036 90010
5560	Fixed, Inductor, 100MHZ, 50R.	3198 018 90010	9172	Wire Jumper, 0.58MM.	3198 036 90010
5561	Coil, 27u.	3198 018 22790	9173	Wire Jumper, 0.58MM.	3198 036 90010
5562	Fixed, Inductor, 100MHZ, 80 ohm.	3198 018 90020	9176	Wire Jumper, 0.58MM.	3198 036 90010
5564	Fixed, Inductor, 100MHZ, 50R.	3198 018 90010	9178	Wire Jumper, 0.58MM.	3198 036 90010
5602	Coil, 5u6.	3198 018 15680	9179	Wire Jumper, 0.58MM.	3198 036 90010
			9181	Wire Jumper, 0.58MM.	3198 036 90010
			9182	Wire Jumper, 0.58MM.	3198 036 90010
			9183	Wire Jumper, 0.58MM.	3198 036 90010
			9192	Wire Jumper, 0.58MM.	3198 036 90010
			9193	Wire Jumper, 0.58MM.	3198 036 90010
			9406	Wire Jumper, 0.58MM.	3198 036 90010
			9407	Wire Jumper, 0.58MM.	3198 036 90010
			9408	Wire Jumper, 0.58MM.	3198 036 90010

S = Safety Part Be sure to use exact replacement part.

PL0127C321 (continued)

3346	Res, 22 ohm, 5%, 1/6W, Carbon Film	3198	011	02290
3347	Res, Zero ohm, "Chip" Jumper	3198	021	90020
3350	Res, Zero ohm, "Chip" Jumper	3198	021	90020
3353	Res, Zero ohm, "Chip" Jumper	3198	021	90020
5342	Coil, 22u.	2422	535	97333
6331	Diode, Signal, BAV21	3198	010	10070
6332	Diode, Signal, BAS316.	3198	010	10630
6333	Diode, Signal, BAV21	3198	010	10070
6335	Diode, Signal, BAV21	3198	010	10070
7330	IC, TDA6107Q/N2.	9352	576	50112
9311	Wire Jumper, 0.58MM.	3198	036	90010
9341	Wire Jumper, 0.58MM.	3198	036	90010
9342	Wire Jumper, 0.58MM.	3198	036	90010
9343	Wire Jumper, 0.58MM.	3198	036	90010

S = Safety Part Be sure to use exact replacement part.

PLW225S321 - Manual no. 7629

Cabinet & Accessory Parts

	Cabinet & Accessory Parts			
S AC01	AC Cord	3135	010	07161
AC04	Cabinet Back Assembly	3121	237	52931
AC09	Clip, Anode Lead	3135	014	04471
S AC10	CRT, A63AFW36X05	9301	885	40458
AC11	Customer Control Buttons	3139	137	86221
S AC12	Degaussing Coil	2422	549	44489
AC13	Holder, Degaussing Coil (4 Used)	3135	013	01641
AC16	Owner's Manual	3135	125	20871
AC20	Cabinet Front Assembly f/PLW225S321	3121	237	52901
AC20a	Cabinet Front	3139	137	86241
AC20b	Chassis Guide	3139	124	37561
AC20d	Light Guide	3139	124	36551
AC20f	Power Button	3139	137	86231
AC20j	Speaker, Full Range, 16ohm, 5W (2 Use d)	2422	264	00411
S AC21	Deflection Yoke	3321	203	00121

Main Chassis Assembly Parts

	Main Chassis Assembly Parts			
0127	Socket Fuse	2422	088	00271
S 0211	Connector, 2 Pin	2422	025	16374
S 0212	Connector, 2 Pin	2422	025	16375
0219	Connector, 6 Pin	2422	025	12482
0220	Connector, 5 Pin	2422	025	04853
S 0221	Connector, 4 Pin	2422	025	15503
S 0222	Connector, 2 Pin	2422	025	10646
0223	Socket, Cinch, 9 Pin	2422	026	05236
0225	Socket, MDIN, 10 Pin	2422	026	04926
0240	Connector, 7 Pin	2422	025	11244
0243	Connector, 6 Pin	2422	025	04854
0246	Connector, 5 Pin	2422	025	12481
0251	Connector, 3 Pin	2412	020	00725
0259	Connector, 5 Pin	2422	025	15848
0262	Connector, 3 Pin	2422	025	16937
0267	Connector, 3 Pin	2412	020	00725
1000	Tuner, V+U PLL	2422	542	90108
1002	SAW Filter, 45MHZ75, OFWML1971M L	2422	549	44518
1200	Filter, Ceramic, 4MHz5	2422	549	40807
S 1500	Fuse, 4A, 250V, IEC	2422	086	10914
S 1515	Relay, 1P, 12V	2422	132	07444
1600	Tact Switch	2422	128	02742
1601	Tact Switch	2422	128	02742
1602	Tact Switch	2422	128	02742
1603	Tact Switch	2422	128	02742
1606	Tact Switch	2422	128	02742
1660	Crystal Resonator, 12 MHz, 20P, HC49/U A	2422	543	01203
1831	Crystal Resonator, 18MHZ432 12P HC49 /U A	2422	543	00842
2004	Cap, 47n, 10%, 16v, Ceramic	3198	017	34730
2005	Cap, 10u, 20%, 50v, Electrolytic	3198	025	51090
2006	Cap, 470u, 20%, 16v, Electrolytic	3198	025	24710
2007	Cap, 100n, +80/-20%, 25v, Ceramic	3198	023	41040
2008	Cap, 100u, 20%, 25v, Electrolytic	3198	025	31010
2009	Cap, 22n, 10%, 25v, Ceramic	3198	017	32230
2101	Cap, 470n, +80/-20%, 16v, Ceramic	3198	017	24740
2102	Cap, 22p, 5%, 50v, Ceramic	3198	016	02290
2103	Cap, 330p, 5%, 50v, Ceramic	3198	016	33310
2104	Cap, 330p, 5%, 50v, Ceramic	3198	016	33310
2105	Cap, 10u, 20%, 50v, Electrolytic	3198	025	51090
2106	Cap, 10u, 20%, 50v, Electrolytic	3198	025	51090
2111	Cap, 22p, 5%, 50v, Ceramic	3198	016	02290
2112	Cap, 22p, 5%, 50v, Ceramic	3198	016	02290
2113	Cap, 22p, 5%, 50v, Ceramic	3198	016	02290
2123	Res, Zero ohm, Chip Jumper	3198	021	90020
2125	Res, Zero ohm, Chip Jumper	3198	021	90020
2131	Cap, 330p, 10%, 50v, Ceramic	3198	017	33310
2132	Cap, 2u2, +80/-20%, 10v, Ceramic	3198	017	22250
2133	Cap, 330p, 10%, 50v, Ceramic	3198	017	33310
2134	Cap, 2u2, +80/-20%, 10v, Ceramic	3198	017	22250
2135	Cap, 22p, 5%, 50v, Ceramic	3198	016	02290
2136	Cap, 22p, 5%, 50v, Ceramic	3198	016	02290
2181	Cap, 22p, 5%, 50v, Ceramic	3198	016	02290
2184	Cap, 2u2, +80/-20%, 10v, Ceramic	3198	017	22250
2202	Cap, 100n, +80/-20%, 25v, Ceramic	3198	023	21040
2203	Cap, 100n, +80/-20%, 25v, Ceramic	3198	023	41040
2204	Cap, 100n, +80/-20%, 25v, Ceramic	3198	023	41040
2205	Cap, 220n, +80/-20%, 25v, Ceramic	3198	023	22240
2208	Cap, 100n, +80/-20%, 25v, Ceramic	3198	023	41040
2209	Cap, 4u7, 20%, 50v, Electrolytic	3198	025	54780
2210	Cap, 1u, +80/-20%, 16v, Ceramic	3198	017	21050
2211	Cap, 470n, +80/-20%, 16v, Ceramic	3198	017	24740
2213	Cap, 22n, 10%, 50v, Ceramic	3198	017	02230
2214	Cap, 22n, 10%, 50v, Ceramic	3198	017	02230
2215	Cap, 22n, 10%, 50v, Ceramic	3198	017	02230
2216	Cap, 1000u, 20%, 16v, Electrolytic	3198	026	21020
2217	Cap, 22n, 10%, 25v, Ceramic	3198	017	32230
2219	Cap, 220n, +80/-20%, 25v, Ceramic	3198	023	22240
2220	Cap, 470n, 10%, 50v, Polyester	3198	014	04740
2221	Cap, 22n, 10%, 50v, Ceramic	3198	017	02230

S = Safety Part Be sure to use exact replacement part.

2241	Cap, 1n5, 10%, 50v, Ceramic	3198	017	31520
2242	Cap, 1u, +80/-20%, 10v, Ceramic	3198	017	41050
2243	Cap, 2n2, 10%, 50v, Ceramic	3198	017	02220
2244	Cap, 100n, 5%, 63v, Metallized Polyester	2222	370	76104
2245	Cap, 220n, +80/-20%, 16v, Ceramic	3198	023	22240
2247	Cap, 1000u, 20%, 16v, Electrolytic	3198	026	21020
2248	Cap, 22n, 10%, 50v, Ceramic	3198	017	02230
2249	Cap, 22n, 10%, 25v, Ceramic	3198	017	32230
2250	Cap, 2u2, 20%, 50v, Electrolytic	3198	025	52280
2252	Cap, 1n, 5%, 25v, Ceramic	3198	016	31020
2253	Cap, 1n, 5%, 25v, Ceramic	3198	016	31020
2254	Res, Zero ohm, Chip Jumper	3198	021	90020
2405	Cap, 220u, 20%, 25v, Electrolytic	3198	025	32210
2441	Cap, 1u, 20%, 50v, Electrolytic	3198	025	51080
2443	Cap, 47n, +80/-20%, 50v, Ceramic	3198	017	24730
2444	Cap, 1u, 20%, 50v, Electrolytic	3198	025	51080
2450	Cap, 47u, 20%, 160v, Electrolytic	2020	021	91139
2451	Cap, 15n, 10%, 50v, Polyester	3198	014	01530
2452	Cap, 180p, 5%, 50v, Ceramic	3198	016	01810
2455	Cap, 47u, 20%, 25v, Electrolytic	3198	025	34790
2457	Cap, 470n, 5%, 250v, Polypropylene	2222	479	90023
2458	Cap, 2u2, 20%, 100v, Electrolytic	2020	021	91331
2459	Cap, 680p, 10%, 500v, Ceramic	3198	019	46810
2460	Cap, 100p, 5%, 50v, Ceramic	3198	016	01010
2462	Cap, 330n, 10%, 250v, Polypropylene	2022	333	00084
2463	Cap, 470p, 10%, 2000v, Ceramic	2020	558	90483
2465	Cap, 11n, 5%, 1600v, Polypropylene	2222	375	90155
2471	Cap, 100n, 10%, 50v, Polyester	3198	014	01040
2472	Cap, 150n, 10%, 63v, Metallized Polyester	2222	365	75154
2473	Cap, 100n, 10%, 63v, Metallized Polyester	2222	365	75104
2474	Cap, 2n2, 10%, 50v, Ceramic	3198	017	02220
2475	Cap, 2n2, 10%, 50v, Ceramic	3198	017	02220
2476	Cap, 4n7, 10%, 50v, Ceramic	3198	017	04720
2480	Cap, 47u, 20%, 25v, Electrolytic	2020	021	90586
2481	Cap, 470p, 10%, 500v, Ceramic	3198	019	44710
2482	Cap, 68n, 10%, 250v, Polyester	2222	347	90234
2485	Cap, 4u7, 20%, 250v, Electrolytic	2020	021	90856
2486	Cap, 470u, 20%, 16v, Electrolytic	2020	021	91577
2487	Cap, 47u, 20%, 50v, Electrolytic	2020	021	90854
2488	Cap, 1000u, 20%, 16v, Electrolytic	2020	021	91049
2489	Cap, 470u, 20%, 16v, Electrolytic	2020	021	91577
2491	Cap, 1n, 10%, 500v, Ceramic	3198	019	41020
S 2500	Cap, 470n, 20%, 275v, Metallized Polypropylene	2222	336	29148
2501	Cap, 2n2, 10%, 1000v, Ceramic	3198	019	52220
2502	Cap, 2n2, 10%, 1000v, Ceramic	3198	019	52220
2503	Cap, 470u, 20%, 200v, Electrolytic	2020	024	90626
2505	Cap, 2n2, 10%, 1000v, Ceramic	3198	019	52220
2507	Cap, 470p, 10%, 50v, Ceramic	3198	017	04710
2508	Cap, 470p, 10%, 1000v, Ceramic	3198	019	64710
S 2515	Cap, 1n5, 20%, v, Ceramic	2020	554	90128
2520	Cap, 100n, 10%, 16v, Ceramic	3198	017	01040
2521	Cap, 22u, 20%, 50v, Electrolytic	3198	025	52290
2522	Cap, 100n, 10%, 16v, Ceramic	3198	017	01040
2523	Cap, 1n5, 10%, 2000v, Ceramic	2020	558	90489
2525	Cap, 470p, 10%, 50v, Ceramic	3198	017	04710
2527	Cap, 2n2, 10%, 50v, Ceramic	3198	017	02220
2528	Cap, 1n, 10%, 50v, Ceramic	3198	017	01020
2540	Cap, 10n, 10%, 50v, Ceramic	3198	017	01030
2541	Cap, 10n, 10%, 50v, Ceramic	3198	017	01030
2560	Cap, 680p, 10%, 1000v, Ceramic	2020	558	90472
2561	Cap, 100u, 20%, 160v, Electrolytic	2020	021	91654
2562	Cap, 1n, 10%, 50v, Ceramic	3198	019	11020
2563	Cap, 100n, 10%, 50v, Polyester	3198	014	01040
2564	Cap, 2u2, 20%, 25v, Electrolytic	2020	021	91353
2566	Cap, 470u, 20%, 6.3v, Electrolytic	3198	025	04710
2567	Cap, 47u, 20%, 25v, Electrolytic	3198	025	34790
2568	Cap, 1u, 20%, 50v, Electrolytic	3198	025	51080
2580	Cap, 47u, 20%, 16v, Electrolytic	3198	028	24790
2581	Cap, 22u, 20%, 50v, Electrolytic	3198	025	52290
2601	Cap, 220n, +80/-20%, 25v, Ceramic	3198	023	22240
2602	Cap, 100p, 5%, 50v, Ceramic	3198	016	01010
2606	Cap, 1n, 10%, 50v, Ceramic	3198	017	01020
2607	Cap, 33p, 5%, 50v, Ceramic	3198	016	33390
2608	Cap, 1u, +80/-20%, 10v, Ceramic	3198	017	41050
2609	Cap, 33p, 5%, 50v, Ceramic	3198	016	33390
2611	Cap, 1u, +80/-20%, 10v, Ceramic	3198	017	41050
2612	Cap, 68p, 5%, 50v, Ceramic	3198	016	06890
2613	Cap, 68p, 5%, 50v, Ceramic	3198	016	06890
2615	Cap, 1n, 10%, 50v, Ceramic	3198	017	01020
2616	Cap, 470n, +80/-20%, 16v, Ceramic	3198	017	24740

PLW225S321 (continued)

2831	Cap, 1p, 25%, 50v, Ceramic	3198 016 31080	3241	Res, 22K, 5%, 1/16W, Metallized Glass	3198 021 32230
2832	Cap, 1p, 25%, 50v, Ceramic	3198 016 31080	3242	Res, 12K, 5%, 1/10W, Metallized Glass	3198 021 51230
2833	Cap, 47p, 5%, 50v, Ceramic	3198 016 34790	3244	Res, 820 ohm, 5%, 1/6W, Carbon Film.	3198 011 08210
2834	Cap, 470p, 5%, 50v, Ceramic	3198 016 34710	3245	Res, 39K, 1%, 1/10W, Metallized Glass	2120 108 92633
2835	Cap, 220p, 5%, 50v, Ceramic	3198 016 32210	3246	Res, 10k, 5%, Carbon	3198 021 51030
2836	Cap, 1n5, 10%, 50v, Ceramic	3198 017 31520	3247	Res, 680K, 5%, 1/10W, Metallized Glas	3198 021 56840
2837	Cap, 4u7, 20%, 50v, Electrolytic	3198 025 54780	3248	Res, 33K, 5%, 1/10W, Metallized Glass	3198 021 53330
2840	Cap, 100n, +80/-20%, 25v, Ceramic	3198 023 41040	3249	Res, 820 ohm, 5%, 1/6W, Carbon Film.	3198 011 08210
2841	Cap, 10u, 20%, 50v, Electrolytic	3198 025 51090	3250	Res, 8K2, 5%, 1/6W, Carbon Film.	3198 011 08220
2842	Cap, 100n, +80/-20%, 25v, Ceramic	3198 023 41040	3251	Res, 100 ohm, 5%, 1/6W, Carbon Film.	3198 011 01010
2843	Cap, 10u, 20%, 50v, Electrolytic	3198 025 51090	3256	Res, 1k, 5%, Carbon	3198 021 51020
2844	Cap, 10u, 20%, 50v, Electrolytic	3198 025 51090	3257	Res, 10M, 5%, 1/10W, Metallized Glass	3198 021 51060
2845	Cap, 100n, +80/-20%, 25v, Ceramic	3198 023 41040	3258	Res, 100K, 5%, 1/10W, Metallized Glas	3198 021 51040
2846	Cap, 100u, 20%, 25v, Electrolytic	3198 025 31010	3259	Res, 470K, 5%, 1/10W, Metallized Glas	3198 021 54740
2849	Cap, 1n, 5%, 25v, Ceramic	3198 016 31020	3441	Res, 100 ohm, 5%, 1/10W, Metallized G lass	3198 021 51010
2850	Cap, 1n, 5%, 25v, Ceramic	3198 016 31020	3442	Res, Zero ohm, Chip Jumper	3198 021 90020
2851	Res, Zero ohm, Chip Jumper	3198 021 90020	3443	Res, 1M, 5%, 1/10W, Metallized Glass	3198 021 51050
2852	Cap, 1n, 5%, 25v, Ceramic	3198 016 31020	3445	Res, 15K, 5%, 1/6W, Carbon Film.	3198 011 01530
2853	Res, Zero ohm, Chip Jumper	3198 021 90020	3446	Res, 5K6, 5%, 1/6W, Carbon Film.	3198 011 05620
2854	Cap, 1n, 5%, 25v, Ceramic	3198 016 31020	3447	Res, 180 ohm, 5%, 1/6W, Carbon Film.	3198 011 01810
2855	Cap, 33p, 5%, 50v, Ceramic	3198 016 33390	3448	Res, 820 ohm, 5%, 1/6W, Carbon Film.	3198 011 08210
2856	Cap, 47p, 5%, 50v, Ceramic	3198 016 34790	3449	Res, 68 ohm, 5%, 1/6W, Carbon Film	3198 011 06890
2857	Cap, 150p, 5%, 50v, Ceramic	3198 016 31510	3450	Res, 33 ohm, 5%, 1/6W, Carbon Film	3198 011 03390
2860	Cap, 180p, 5%, 50v, Ceramic	3198 016 01810	S 3451	Res, 10 ohm, 5%, 1/3W, Metal Film.	2306 204 03109
2894	Cap, 220p, 5%, 50v, Ceramic	3198 016 32210	3452	Res, 10K, 1%, 3/5W, Metal Film	2312 915 11003
2895	Cap, 560p, 5%, 50v, Ceramic	3198 016 35610	3453	Res, 1K, 5%, 1/6W, Carbon Film	3198 011 01020
2897	Cap, 390p, 5%, 50v, Ceramic	3198 016 03910	3454	Res, 3K9, 1%, 3/5W, Metal Film	2312 915 13902
2898	Cap, 10n, 10%, 50v, Ceramic	3198 017 31030	3455	Res, 6R8, 5%, 1 1/3W, Metal Film	3198 012 26880
2902	Cap, 1000u, 20%, 16v, Electrolytic	3198 026 21020	3456	Res, Zero ohm, Chip Jumper	3198 021 90020
2903	Cap, 1u, 20%, 50v, Electrolytic	3198 025 51080	3457	Res, Zero ohm, Chip Jumper	3198 021 90020
2904	Cap, 470n, +80/-20%, 16v, Ceramic	3198 017 24740	3458	Res, 1K, 5%, 1/6W, Carbon Film	3198 011 01020
2905	Cap, 1n, 10%, 50v, Ceramic	3198 017 01020	3459	Res, 15K, 5%, 1 1/3W, Metal Film	3198 012 21530
2906	Cap, 470n, +80/-20%, 16v, Ceramic	3198 017 24740	3460	Res, 3K9, 5%, 1/6W, Carbon Film.	3198 011 03920
2907	Cap, 1n, 10%, 50v, Ceramic	3198 017 01020	3463	Res, 33 ohm, 5%, 1/6W, Carbon Film	3198 011 03390
2908	Cap, 10u, 20%, 50v, Electrolytic	3198 025 51090	3465	Res, 27K, 1%, 3/5W, Metal Film	2312 915 12703
2910	Cap, 3n3, 10%, 50v, Ceramic	3198 017 03320	3468	Res, 220 ohm, 5%, 1/6W, Carbon Film.	3198 011 02210
2911	Cap, 3n3, 10%, 50v, Ceramic	3198 017 03320	3469	Res, 3K3, 5%, 1/6W, Carbon Film.	3198 011 03320
2950	Cap, 330p, 5%, 50v, Ceramic	3198 016 33310	3470	Res, 330K, 5%, 1/10W, Metallized Glas	3198 021 53340
3000	Res, 100 ohm, 5%, 1/6W, Carbon Film.	3198 011 01010	3471	Res, 3R3, 1%, 3/5W, Metal Film	2312 915 13308
3001	Res, 100 ohm, 5%, 1/6W, Carbon Film.	3198 011 01010	3472	Res, 3R3, 1%, 3/5W, Metal Film	2312 915 13308
3002	Res, Zero ohm, Chip Jumper	3198 021 90020	3473	Res, 3R3, 1%, 3/5W, Metal Film	2312 915 13308
3003	Res, 1K5, 5%, 1/16W, Metallized Glass	3198 021 31520	3474	Res, 2K2, 1%, 3/5W, Metal Film	2312 915 12202
3004	Res, 8K2, 5%, 1/16W, Metallized Glass	3198 021 38220	3475	Res, 2K2, 1%, 3/5W, Metal Film	2312 915 12202
3005	Res, 100 ohm, 5%, 1/6W, Carbon Film.	3198 011 01010	3477	Res, 150 ohm, 5%, 1/6W, Carbon Film.	3198 011 01510
3101	Res, 68 ohm, 5%, 1/6W, Carbon Film	3198 011 06890	3478	Res, 150 ohm, 5%, 1/6W, Carbon Film.	3198 011 01510
3102	Res, 1K, 5%, 1/16W, Metallized Glass	3198 021 31020	3479	Res, 2K7, 5%, 1/10W, Metallized Glass	3198 021 52720
3103	Res, 150 ohm, 5%, 1/6W, Carbon Film.	3198 011 01510	3480	Res, 1R5, 5%, 1/4W, Carbon Film.	2120 101 74158
3104	Res, 220K, 5%, 1/16W, Metallized Glas	3198 021 32240	3481	Res, 15K, 1%, 3/5W, Metal Film	2312 915 11503
3105	Res, 150 ohm, 5%, 1/6W, Carbon Film.	3198 011 01510	3482	Res, 12k, 1%, Metal Film	2312 915 11203
3106	Res, 220K, 5%, 1/10W, Metallized Glas	3198 021 52240	3484	Res, 3K9, 5%, 1/6W, Carbon Film.	3198 011 03920
3112	Res, 100 ohm, 5%, 1/6W, Carbon Film.	3198 011 01010	3486	Res, 33 ohm, 5%, 2 1/2W, Metal Film.	3198 012 33390
3114	Res, 100 ohm, 5%, 1/6W, Carbon Film.	3198 011 01010	3488	Res, 4R7, 5%, 1/2W, Metal Film	2306 207 03478
3116	Res, 100 ohm, 5%, 1/6W, Carbon Film.	3198 011 01010	3490	Res, 8K2, 5%, 1/6W, Carbon Film.	3198 011 08220
3121	Res, 75 ohm, 5%, 1/6W, Carbon Film	3198 011 07590	3492	Res, 1k, 5%, Carbon	3198 021 51020
3123	Wire Jumper, 0.58MM.	3198 036 90010	3493	Res, 6R8, 5%, 1/3W, Metal Film	2306 204 03688
3124	Res, 75 ohm, 5%, 1/16W, Metallized Gl ass.	3198 021 37590	3494	Res, 4R7, 5%, 1/2W, Metal Film	2306 207 03478
3125	Wire Jumper, 0.58MM.	3198 036 90010	3495	Res, 22k, 5%, Carbon	3198 021 52230
3126	Res, 75 ohm, 5%, 1/16W, Metallized Gl ass.	3198 021 37590	3496	Res, 100K, 5%, 1/10W, Metallized Glas	3198 021 51040
3131	Res, 150 ohm, 5%, 1/6W, Carbon Film.	3198 011 01510	3497	Res, 100K, 5%, 1/10W, Metallized Glas	3198 021 51040
3132	Res, 47K, 5%, 1/16W, Metallized Glass	3198 021 34730	3498	Res, 12K, 5%, 1/10W, Metallized Glass	3198 021 51230
3133	Res, 150 ohm, 5%, 1/6W, Carbon Film.	3198 011 01510	3499	Res, 10k, 5%, Carbon	3198 021 51030
3134	Res, 47K, 5%, 1/16W, Metallized Glass	3198 021 34730	S 3500	Res, 3M3, 5%, 1/2W, Metallized Glass	2322 242 13335
3135	Res, 75 ohm, 5%, 1/6W, Carbon Film	3198 011 07590	S 3501	Res, 3M3, 5%, 1/2W, Metallized Glass	2322 242 13335
3136	Res, 100 ohm, 5%, 1/6W, Carbon Film.	3198 011 01010	3504	Res, 3 ohm, +30%/-20%, 144v, PTC, Car bon Film	2122 663 00019
3138	Wire Jumper, 0.58MM.	3198 036 90010	S 3506	Res, 1M5, 5%, 1/2W, Metallized Glass	2322 242 13155
3141	Res, 1K, 5%, 1/6W, Carbon Film	3198 011 01020	S 3507	Surge Protector, DSP-301N-A21F A.	2422 549 43073
3200	Res, 390 ohm, 5%, 1/6W, Carbon Film.	3198 011 03910	S 3508	Res, 220 ohm, 20%, 1/2W, Carbon Film	3198 013 02210
3201	Res, 100 ohm, 5%, 1/6W, Carbon Film.	3198 011 01010	3510	Res, 4.7 ohm, 20%, 3W1, NTC, Carbon F ilm.	2122 612 00056
3202	Res, 100 ohm, 5%, 1/6W, Carbon Film.	3198 011 01010	3519	Res, 270 ohm, 5%, 1/6W, Carbon Film.	3198 011 02710
3203	Res, 100 ohm, 5%, 1/6W, Carbon Film.	3198 011 01010	3520	Res, 1K2, 5%, 1/10W, Metallized Glass	3198 021 51220
3204	Res, 22K, 5%, 1/6W, Carbon Film.	3198 011 02230	3521	Res, 4R7, 5%, 1/6W, Carbon Film.	3198 011 04780
3205	Res, 1k, 5%, Carbon	3198 021 51020	3522	Res, 330K, 5%, 1/10W, Metallized Glas	3198 021 53340
3206	Res, 33K, 5%, 1/16W, Metallized Glass	3198 021 33330	S 3523	Res, 100 ohm, 5%, 1/3W, Metal Film	2306 204 03101
3207	Res, 1K, 5%, 1/6W, Carbon Film	3198 011 01020	3524	Res, 56K, 5%, 1/10W, Metallized Glass	3198 021 55630
3208	Res, 220 ohm, 5%, 1/16W, Metallized G lass	3198 021 32210	3525	Res, 1k, 5%, Carbon	3198 021 51020
3209	Res, 68 ohm, 5%, 1/16W, Metallized Gl ass.	3198 021 36890	3526	Res, OR1, 5%, 3/5W, Metal Film	3198 012 11070
3212	Res, 470 ohm, 5%, 1/16W, Metallized G lass	3198 021 34710	3527	Res, OR33, 5%, 3/5W, Metal Film.	3198 012 13370
3213	Res, 560 ohm, 5%, 1/6W, Carbon Film.	3198 011 05610	3528	Res, Zero ohm, Chip Jumper	3198 021 90020
3217	Res, 330K, 5%, 1/16W, Metallized Glas	3198 021 33340	3529	Res, 47K, 5%, 1/10W, Metallized Glass	3198 021 54730
3218	Res, 8K2, 5%, 1/16W, Metallized Glass	3198 021 38220	3530	Res, 10k, 5%, Carbon	3198 021 51030
3219	Res, 2K2, 5%, 1/16W, Metallized Glass	3198 021 32220	3531	Res, 4K7, 5%, 1/10W, Metallized Glass	3198 021 54720
3220	Res, 100 ohm, 5%, 1/6W, Carbon Film.	3198 011 01010	S 3532	Res, 2K2, 5%, 1/3W, Metal Film	2306 204 03222
3221	Res, 560 ohm, 5%, 1/6W, Carbon Film.	3198 011 05610	3541	Res, 470 ohm, 5%, 1/10W, Metallized G lass	3198 021 54710
3222	Res, 100 ohm, 5%, 1/6W, Carbon Film.	3198 011 01010	3542	Res, 1K5, 5%, 1/10W, Metallized Glass	3198 021 51520
3226	Res, 560 ohm, 5%, 1/16W, Metallized G lass	3198 021 35610	3543	Res, 82K, 1%, 3/5W, Metal Film	2312 915 18203
3235	Res, 100 ohm, 5%, 1/6W, Carbon Film.	3198 011 01010	3544	Res, 4K7, 1%, 1/10W, Metallized Glass	2120 108 92624
			3545	Res, 270K, 5%, 1/10W, Metallized Glas	2120 108 91725
			3548	Res, 15K, 5%, 1/10W, Metallized Glass	3198 021 51530

S = Safety Part Be sure to use exact replacement part.

PLW225S321 (continued)

3552	Res, 4K7, 5%, 1/10W, Metallized Glass	3198 021 54720	4613	Res, Zero ohm, Chip Jumper	3198 021 90020
3557	Res, 1k, 5%, Carbon	3198 021 51020	4614	Res, Zero ohm, Chip Jumper	3198 021 90020
3560	Res, 47 ohm, 5%, 1/6W, Carbon Film	3198 011 04790	4615	Res, Zero ohm, Chip Jumper	3198 021 90020
3561	Res, 100 ohm, 5%, 1/6W, Carbon Film	3198 011 01010	4617	Res, Zero ohm, Chip Jumper	3198 021 90020
3562	Res, 12K, 5%, 1/10W, Metallized Glass	3198 021 51230	4619	Res, Zero ohm, Chip Jumper	3198 021 90020
3563	Res, 5K6, 5%, 1/10W, Metallized Glass	3198 021 55620	4622	Res, Zero ohm, Chip Jumper	3198 021 90020
3564	Res, 0R1, 5%, 1 1/3W, Metal Film	3198 012 21070	4623	Res, Zero ohm, Chip Jumper	3198 021 90020
3565	Res, 330 ohm, 5%, 1W, Metal Film	3198 012 13310	4691	Res, Zero ohm, Chip Jumper	3198 021 90020
3566	Res, 2K2, 5%, 1/10W, Metallized Glass	3198 021 52220	4692	Res, Zero ohm, Chip Jumper	3198 021 90020
3567	Res, 1K8, 5%, 1/16W, Metallized Glass	3198 021 31820	4693	Res, Zero ohm, Chip Jumper	3198 021 90020
3568	Res, 8K2, 5%, 1/10W, Metallized Glass	3198 021 58220	4696	Res, Zero ohm, Chip Jumper	3198 021 90020
3569	Res, 5K6, 5%, 1/10W, Metallized Glass	3198 021 55620	4801	Res, Zero ohm, Chip Jumper	3198 021 90020
3580	Res, 47K, 5%, 1/10W, Metallized Glass	3198 021 54730	4811	Res, Zero ohm, Chip Jumper	3198 021 90020
3594	Res, 330 ohm, 5%, 1/10W, Metallized Glass	3198 021 53310	4831	Res, Zero ohm, Chip Jumper	3198 021 90020
3595	Res, 220K, 5%, 1/10W, Metallized Glass	3198 021 52240	4833	Res, Zero ohm, Chip Jumper	3198 021 90020
3596	Res, 220K, 5%, 1/10W, Metallized Glass	3198 021 52240	4835	Res, Zero ohm, Chip Jumper	3198 021 90020
3601	Res, 8K2, 5%, 1/6W, Carbon Film	3198 011 08220	4901	Res, Zero ohm, Chip Jumper	3198 021 90020
3603	Res, 100 ohm, 5%, 1/6W, Carbon Film	3198 011 01010	4903	Res, Zero ohm, Chip Jumper	3198 021 90020
3604	Res, 100 ohm, 5%, 1/6W, Carbon Film	3198 011 01010	4982	Res, Zero ohm, Chip Jumper	3198 021 90020
3605	Res, 4K7, 5%, 1/16W, Metallized Glass	3198 021 34720	5001	Coil, 27u	3198 018 22790
3606	Res, 2K2, 5%, 1/6W, Carbon Film	3198 011 02220	5002	Coil, 820n	3198 018 18270
3607	Res, 2K2, 5%, 1/6W, Carbon Film	3198 011 02220	5201	Coil, 6u8	3198 018 16880
3608	Res, 100 ohm, 5%, 1/6W, Carbon Film	3198 011 01010	5202	Coil, 10u	3198 018 21090
3609	Res, 1K, 5%, 1/6W, Carbon Film	3198 011 01020	5204	Fixed, Inductor, 100MHZ, 80 ohm	3198 018 90020
3610	Res, 8K2, 5%, 1/6W, Carbon Film	3198 011 08220	5205	Fixed, Inductor, 100MHZ, 80 ohm	3198 018 90020
3611	Res, 100 ohm, 5%, 1/16W, Metallized Glass	3198 021 31010	5206	Wire Jumper, 0.58MM	3198 036 90010
3618	Res, 6K8, 5%, 1/6W, Carbon Film	3198 011 06820	5241	Coil, 10u	3198 018 21090
3622	Res, 100 ohm, 5%, 1/10W, Metallized Glass	3198 021 51010	5242	Coil, 10u	3198 018 11090
3623	Res, 4K7, 5%, 1/16W, Metallized Glass	3198 021 34720	S 5445	Transformer, LOT, USLOT+U AT2078	3128 138 21401
3624	Res, 100 ohm, 5%, 1/6W, Carbon Film	3198 011 01010	5451	Coil, 33u	3198 018 73390
3625	Res, 100 ohm, 5%, 1/6W, Carbon Film	3198 011 01010	5452	Fixed, Inductor, 100MHZ, 80 ohm	3198 018 90020
3626	Res, 4K7, 5%, 1/16W, Metallized Glass	3198 021 34720	5457	Linear Correction Coil	3128 138 53241
3627	Res, 4K7, 5%, 1/16W, Metallized Glass	3198 021 34720	5461	Transformer, Signal Driver, SC10015-0	
3628	Res, 10K, 5%, 1/16W, Metallized Glass	3198 021 31030	5471	0 B	2422 531 02465
3630	Res, 2K2, 5%, 1/16W, Metallized Glass	3198 021 32220	5472	Coil, 3u3	3198 018 73380
3632	Res, Zero ohm, Chip Jumper	3198 021 90020	5472	Coil, 3u3	3198 018 23380
3634	Res, 100 ohm, 5%, 1/6W, Carbon Film	3198 011 01010	5480	Coil, 33u	2422 535 97335
3636	Res, 100 ohm, 5%, 1/10W, Metallized Glass	3198 021 51010	S 5501	Filter, Mains, 5mH, 2A	2422 549 43432
3639	Res, Zero ohm, Chip Jumper	3198 021 90020	S 5520	Transformer, SMT Layer, SS39009-04 B	2422 531 02459
3681	Res, 390 ohm, 5%, 1/16W, Metallized Glass	3198 021 33910	5521	Fixed, Inductor, 100MHZ, 50R	3198 018 90010
3682	Res, 3K3, 5%, 1/16W, Metallized Glass	3198 021 33320	5560	Fixed, Inductor, 100MHZ, 50R	3198 018 90010
3683	Res, 390 ohm, 5%, 1/16W, Metallized Glass	3198 021 33910	5561	Coil, 27u	3198 018 22790
3684	Res, 560 ohm, 5%, 1/16W, Metallized Glass	3198 021 35610	5562	Fixed, Inductor, 100MHZ, 50R	3198 018 90010
3685	Res, 560 ohm, 5%, 1/16W, Metallized Glass	3198 021 35610	5564	Fixed, Inductor, 100MHZ, 50R	3198 018 90010
3686	Res, 1K5, 5%, 1/16W, Metallized Glass	3198 021 31520	5602	Coil, 5u6	3198 018 15680
3691	Res, 330 ohm, 5%, 1/16W, Metallized Glass	3198 021 33310	5603	Coil, 5u6	3198 018 15680
3693	Res, 220 ohm, 5%, 1/16W, Metallized Glass	3198 021 32210	5604	Coil, 5u6	3198 018 15680
3801	Res, 220 ohm, 5%, 1/6W, Carbon Film	3198 011 02210	5831	Coil, 6u8	3198 018 16880
3802	Res, 1K, 5%, 1/6W, Carbon Film	3198 011 01020	5832	Coil, 6u8	3198 018 16880
3809	Res, 75 ohm, 5%, 1/16W, Metallized Glass	3198 021 37590	5833	Coil, 6u8	3198 018 16880
3810	Res, 75 ohm, 5%, 1/16W, Metallized Glass	3198 021 37590	5835	Coil, 12u	3198 018 31290
3831	Res, 47K, 5%, 1/16W, Metallized Glass	3198 021 34730	6001	Zener Diode, 33 volt	3198 010 23390
3832	Res, 100 ohm, 5%, 1/6W, Carbon Film	3198 011 01010	6006	Diode, Signal, 1N4148	3198 010 10010
3833	Res, 100 ohm, 5%, 1/6W, Carbon Film	3198 011 01010	6007	Diode, Signal, 1N4148	3198 010 10010
3836	Res, 1K, 5%, 1/16W, Metallized Glass	3198 021 31020	6201	Diode, Signal, BAS316	3198 010 10630
3837	Res, 100 ohm, 5%, 1/6W, Carbon Film	3198 011 01010	6202	Diode, Signal, BAS316	3198 010 10630
3838	Res, 1K, 5%, 1/16W, Metallized Glass	3198 021 31020	6206	Zener Diode, 6.8 volt	3198 020 56880
3839	Res, 100 ohm, 5%, 1/6W, Carbon Film	3198 011 01010	6445	Zener Diode, 10 volt	3198 020 51090
3843	Res, 2K2, 5%, 1/16W, Metallized Glass	3198 021 32220	6447	Diode, Signal, 1N4148	3198 010 10010
3901	Res, 1K, 5%, 1/16W, Metallized Glass	3198 021 31020	6448	Zener Diode, 6.2 volt	9331 668 30133
3902	Res, 3K3, 5%, 1/16W, Metallized Glass	3198 021 33320	6449	Diode, Signal, BAV99	3198 010 10620
3903	Res, 3K3, 5%, 1/16W, Metallized Glass	3198 021 33320	6453	Zener Diode, 6.8 volt	3198 020 56880
3904	Res, 10K, 5%, 1/16W, Metallized Glass	3198 021 31030	6460	Diode, Rect, BY228/24	9340 559 50112
3905	Res, 3K3, 5%, 1/16W, Metallized Glass	3198 021 33320	6461	Diode, Rect, RGP30J-L7004	9338 617 06882
3906	Res, 10K, 5%, 1/16W, Metallized Glass	3198 021 31030	6462	Zener Diode, 8.2 volt	3198 010 28280
3907	Res, 8K2, 5%, 1/16W, Metallized Glass	3198 021 38220	6465	Diode, Signal, BAV21	3198 010 10070
4001	Res, Zero ohm, Chip Jumper	3198 021 90020	6466	Diode, Signal, BAV21	3198 010 10070
4002	Res, Zero ohm, Chip Jumper	3198 021 90020	6467	Diode, Signal, BAS316	3198 010 10630
4101	Res, Zero ohm, Chip Jumper	3198 021 90020	6468	Diode, Signal, BAS316	3198 010 10630
4102	Res, Zero ohm, Chip Jumper	3198 021 90020	6469	Diode, Rect, BYD33J	9337 234 20133
4104	Res, Zero ohm, Chip Jumper	3198 021 90020	6470	Diode, Signal, BAV99	3198 010 10620
4209	Res, Zero ohm, Chip Jumper	3198 021 90020	6476	Zener Diode, 15 volt	3198 010 21590
4216	Res, Zero ohm, Chip Jumper	3198 021 90020	6481	Zener Diode, 5.6 volt	3198 010 25680
4217	Res, Zero ohm, Chip Jumper	3198 021 90020	6482	Zener Diode, 9.1 volt	9331 177 80133
4401	Res, Zero ohm, Chip Jumper	3198 021 90020	6483	Zener Diode, 33 volt	3198 010 23390
4402	Res, Zero ohm, Chip Jumper	3198 021 90020	6485	Diode, Rect, BYD33J	9337 234 20133
4430	Res, Zero ohm, Chip Jumper	3198 021 90020	6486	Diode, Rect, EGP20DL-5100	9322 164 42682
4500	Res, Zero ohm, Chip Jumper	3198 021 90020	6487	Diode, Rect, BYD33D	9337 234 00133
4604	Res, 3K3, 5%, 1/10W, Metallized Glass	3198 021 53320	6488	Diode, Rect, EGP20DL-5100	9322 164 42682
			6500	Diode, Bridge Rect, GBU4JL-7002	9322 132 55667
			6520	Diode, Rect, BYD33D	9337 234 00133
			6523	Diode, Signal, 1N4148	3198 010 10010
			6524	Diode, Rect, 1N5062	3198 010 10120
			6525	Diode, Rect, 1N5062	3198 010 10120
			6526	Zener Diode, 22 volt	3198 020 52290
			6540	Zener Diode, 6.2 volt	9331 668 30133
			6541	Zener Diode, 9.1 volt	9322 150 08685
			6560	Diode, Rect, BYV29X-500	9340 555 59127
			6561	Diode, Rect, SB340L-7010	9322 128 18682
			6563	Diode, Signal, BAS316	3198 010 10630
			6565	Diode, Signal, BAV70	9331 849 10215
			6566	Diode, Signal, 1N4148	3198 010 10010

S = Safety Part Be sure to use exact replacement part.

PLW225S321 (continued)

6569	Diode, Signal, BAS316	3198 010 10630	9611	Coil, 27u.	3198 018 22790
6570	Zener Diode, 6.8 volt.	3198 020 56880	9612	Wire Jumper, 0.58MM.	3198 036 90010
6580	Diode, Signal, BAS316	3198 010 10630	9613	Wire Jumper, 0.58MM.	3198 036 90010
6681	Diode Signal, IG BA785	9336 247 60133	9614	Wire Jumper, 0.58MM.	3198 036 90010
6691	LED, VS LTL-10224WHCR.	9322 050 99682	9615	Wire Jumper, 0.58MM.	3198 036 90010
6692	IR, Receiver, TSOP1836UH3V	9322 127 54667	9616	Wire Jumper, 0.58MM.	3198 036 90010
6831	Diode, Signal, 1N4148.	3198 010 10010	9617	Wire Jumper, 0.58MM.	3198 036 90010
6901	Res, Zero ohm, Chip Jumper	3198 021 90020	9618	Wire Jumper, 0.58MM.	3198 036 90010
7101	Transistor, NPN, BC847B.	3198 010 42030	9619	Wire Jumper, 0.58MM.	3198 036 90010
7200	IC, SM TDA9588H/N1/3/0485.	4835 310 57625	9620	Wire Jumper, 0.58MM.	3198 036 90010
7201	Transistor, NPN, BC847B.	3198 010 42030	9621	Wire Jumper, 0.58MM.	3198 036 90010
7204	Transistor, PNP, BC857B.	3198 010 42150	9622	Wire Jumper, 0.58MM.	3198 036 90010
7205	Transistor, PNP, BC857B.	3198 010 42150	9623	Wire Jumper, 0.58MM.	3198 036 90010
7441	Transistor, PNP, BC857B.	3198 010 42150	9624	Wire Jumper, 0.58MM.	3198 036 90010
7443	Transistor, PNP, BC557B.	3198 020 40110	9625	Wire Jumper, 0.58MM.	3198 036 90010
7450	Transistor, PNP, PDTA114ET	3198 010 44010	9626	Wire Jumper, 0.58MM.	3198 036 90010
7460	Transistor, NPN, BU4508DX.	9340 550 92127	9627	Wire Jumper, 0.58MM.	3198 036 90010
7461	Transistor, NPN, BC337-25.	3198 020 43530	9628	Wire Jumper, 0.58MM.	3198 036 90010
7462	Transistor, NPN, PDTA143ZT	9340 547 00215	9629	Wire Jumper, 0.58MM.	3198 036 90010
7463	Transistor, PNP, BC327-25.	3198 020 43430	9630	Wire Jumper, 0.58MM.	3198 036 90010
7471	IC, TDA8359J/N2.	9352 701 64112	9631	Wire Jumper, 0.58MM.	3198 036 90010
7480	Transistor, NPN, BD135	3198 020 41010	9632	Wire Jumper, 0.58MM.	3198 036 90010
7482	Transistor, NPN, BD135	3198 020 41010	9633	Wire Jumper, 0.58MM.	3198 036 90010
S 7515	Optical Coupler, TCET1104(G)	9322 175 72667	9634	Wire Jumper, 0.58MM.	3198 036 90010
7520	IC, TEA1507P/N1.	9352 673 56112	9637	Wire Jumper, 0.58MM.	3198 036 90010
7521	FET Power STPNCS0FP	9322 160 72687	9638	Wire Jumper, 0.58MM.	3198 036 90010
7522	Transistor, NPN, BC847B(COL)	3198 010 42030	9639	Wire Jumper, 0.58MM.	3198 036 90010
7540	Transistor, NPN, BC547B(COL)	3198 020 40030	9640	Wire Jumper, 0.58MM.	3198 036 90010
7541	Transistor, NPN, PDTA114ET	9340 310 10215	9641	Wire Jumper, 0.58MM.	3198 036 90010
7542	Transistor, PNP, BC857B(COL)	3198 010 42150	9642	Wire Jumper, 0.58MM.	3198 036 90010
7560	IC, LE33CZ	9322 106 11676	9643	Wire Jumper, 0.58MM.	3198 036 90010
7561	Transistor, NPN, PDTA143ZT	9340 547 00215	9644	Wire Jumper, 0.58MM.	3198 036 90010
7562	Transistor, PNP, BC857B(COL)	3198 010 42150	9645	Wire Jumper, 0.58MM.	3198 036 90010
7564	Transistor, PNP, BC857B(COL)	3198 010 42150	9646	Wire Jumper, 0.58MM.	3198 036 90010
7580	Transistor, PNP, BC857B(COL)	3198 010 42150	9648	Wire Jumper, 0.58MM.	3198 036 90010
7602	IC, M24C16-WB6.	9322 147 25682	9650	Wire Jumper, 0.58MM.	3198 036 90010
7801	IC, SM HEF4052BT	9333 729 50653	9654	Wire Jumper, 0.58MM.	3198 036 90010
7802	IC, SM HEF4052BT	9333 729 60653	9655	Wire Jumper, 0.58MM.	3198 036 90010
7831	IC, MSP3445G-PO-B8	9322 160 81682	9656	Wire Jumper, 0.58MM.	3198 036 90010
7901	IC, AN7522N.	9322 158 65667	9657	Wire Jumper, 0.58MM.	3198 036 90010
9001	Wire Jumper, 0.58MM.	3198 036 90010	9658	Wire Jumper, 0.58MM.	3198 036 90010
9171	Wire Jumper, 0.58MM.	3198 036 90010	9659	Wire Jumper, 0.58MM.	3198 036 90010
9172	Wire Jumper, 0.58MM.	3198 036 90010	9660	Wire Jumper, 0.58MM.	3198 036 90010
9173	Wire Jumper, 0.58MM.	3198 036 90010	9661	Wire Jumper, 0.58MM.	3198 036 90010
9175	Wire Jumper, 0.58MM.	3198 036 90010	9662	Wire Jumper, 0.58MM.	3198 036 90010
9176	Wire Jumper, 0.58MM.	3198 036 90010	9663	Wire Jumper, 0.58MM.	3198 036 90010
9178	Wire Jumper, 0.58MM.	3198 036 90010	9664	Wire Jumper, 0.58MM.	3198 036 90010
9179	Wire Jumper, 0.58MM.	3198 036 90010	9665	Wire Jumper, 0.58MM.	3198 036 90010
9181	Wire Jumper, 0.58MM.	3198 036 90010	9666	Wire Jumper, 0.58MM.	3198 036 90010
9182	Wire Jumper, 0.58MM.	3198 036 90010	9668	Wire Jumper, 0.58MM.	3198 036 90010
9183	Wire Jumper, 0.58MM.	3198 036 90010	9669	Wire Jumper, 0.58MM.	3198 036 90010
9192	Wire Jumper, 0.58MM.	3198 036 90010	9670	Wire Jumper, 0.58MM.	3198 036 90010
9193	Wire Jumper, 0.58MM.	3198 036 90010	9672	Wire Jumper, 0.58MM.	3198 036 90010
9406	Wire Jumper, 0.58MM.	3198 036 90010	9674	Wire Jumper, 0.58MM.	3198 036 90010
9407	Wire Jumper, 0.58MM.	3198 036 90010	9675	Wire Jumper, 0.58MM.	3198 036 90010
9408	Wire Jumper, 0.58MM.	3198 036 90010	9676	Wire Jumper, 0.58MM.	3198 036 90010
9409	Wire Jumper, 0.58MM.	3198 036 90010	9678	Wire Jumper, 0.58MM.	3198 036 90010
9410	Wire Jumper, 0.58MM.	3198 036 90010	9679	Wire Jumper, 0.58MM.	3198 036 90010
9411	Wire Jumper, 0.58MM.	3198 036 90010	9680	Wire Jumper, 0.58MM.	3198 036 90010
9412	Wire Jumper, 0.58MM.	3198 036 90010	9683	Wire Jumper, 0.58MM.	3198 036 90010
9413	Wire Jumper, 0.58MM.	3198 036 90010	9685	Wire Jumper, 0.58MM.	3198 036 90010
9415	Wire Jumper, 0.58MM.	3198 036 90010	9686	Wire Jumper, 0.58MM.	3198 036 90010
9416	Wire Jumper, 0.58MM.	3198 036 90010	9687	Wire Jumper, 0.58MM.	3198 036 90010
9417	Wire Jumper, 0.58MM.	3198 036 90010	9688	Wire Jumper, 0.58MM.	3198 036 90010
9418	Wire Jumper, 0.58MM.	3198 036 90010	9689	Wire Jumper, 0.58MM.	3198 036 90010
9419	Wire Jumper, 0.58MM.	3198 036 90010	9690	Wire Jumper, 0.58MM.	3198 036 90010
9421	Wire Jumper, 0.58MM.	3198 036 90010	9691	Wire Jumper, 0.58MM.	3198 036 90010
9422	Wire Jumper, 0.58MM.	3198 036 90010	9694	Wire Jumper, 0.58MM.	3198 036 90010
9423	Wire Jumper, 0.58MM.	3198 036 90010	9695	Wire Jumper, 0.58MM.	3198 036 90010
9425	Wire Jumper, 0.58MM.	3198 036 90010	9697	Wire Jumper, 0.58MM.	3198 036 90010
9427	Wire Jumper, 0.58MM.	3198 036 90010	9698	Wire Jumper, 0.58MM.	3198 036 90010
9453	Wire Jumper, 0.58MM.	3198 036 90010	9699	Wire Jumper, 0.58MM.	3198 036 90010
9460	Wire Jumper, 0.58MM.	3198 036 90010	9821	Wire Jumper, 0.58MM.	3198 036 90010
9500	Wire Jumper, 0.58MM.	3198 036 90010	9822	Wire Jumper, 0.58MM.	3198 036 90010
9501	Wire Jumper, 0.58MM.	3198 036 90010	9824	Wire Jumper, 0.58MM.	3198 036 90010
9503	Wire Jumper, 0.58MM.	3198 036 90010	9825	Wire Jumper, 0.58MM.	3198 036 90010
S 9506	Wire Jumper, 0.58MM.	3198 036 90010	9827	Wire Jumper, 0.58MM.	3198 036 90010
S 9507	Wire Jumper, 0.58MM.	3198 036 90010	9828	Wire Jumper, 0.58MM.	3198 036 90010
9510	Wire Jumper, 0.58MM.	3198 036 90010	9829	Wire Jumper, 0.58MM.	3198 036 90010
9512	Wire Jumper, 0.58MM.	3198 036 90010	9830	Wire Jumper, 0.58MM.	3198 036 90010
9513	Wire Jumper, 0.58MM.	3198 036 90010	9831	Wire Jumper, 0.58MM.	3198 036 90010
9514	Wire Jumper, 0.58MM.	3198 036 90010	9832	Wire Jumper, 0.58MM.	3198 036 90010
9515	Wire Jumper, 0.58MM.	3198 036 90010	9834	Wire Jumper, 0.58MM.	3198 036 90010
9516	Wire Jumper, 0.58MM.	3198 036 90010	9835	Wire Jumper, 0.58MM.	3198 036 90010
9518	Wire Jumper, 0.58MM.	3198 036 90010	9836	Wire Jumper, 0.58MM.	3198 036 90010
9520	Wire Jumper, 0.58MM.	3198 036 90010	9837	Wire Jumper, 0.58MM.	3198 036 90010
9521	Wire Jumper, 0.58MM.	3198 036 90010	9838	Wire Jumper, 0.58MM.	3198 036 90010
9522	Wire Jumper, 0.58MM.	3198 036 90010	9839	Wire Jumper, 0.58MM.	3198 036 90010
9524	Wire Jumper, 0.58MM.	3198 036 90010	9840	Wire Jumper, 0.58MM.	3198 036 90010
9525	Wire Jumper, 0.58MM.	3198 036 90010	9841	Wire Jumper, 0.58MM.	3198 036 90010
9528	Wire Jumper, 0.58MM.	3198 036 90010	9842	Wire Jumper, 0.58MM.	3198 036 90010
9610	Wire Jumper, 0.58MM.	3198 036 90010	9843	Wire Jumper, 0.58MM.	3198 036 90010

S = Safety Part. Be sure to use exact replacement part.

PLW225S321 (continued)

9844	Wire Jumper, 0.58MM.	3198	036	90010	9170	Jumper	3198	036	90010
9845	Wire Jumper, 0.58MM.	3198	036	90010	9171	Jumper	3198	036	90010
9846	Wire Jumper, 0.58MM.	3198	036	90010					
9847	Wire Jumper, 0.58MM.	3198	036	90010					
9849	Wire Jumper, 0.58MM.	3198	036	90010					
9851	Wire Jumper, 0.58MM.	3198	036	90010					
9901	Wire Jumper, 0.58MM.	3198	036	90010					
9902	Wire Jumper, 0.58MM.	3198	036	90010					
9903	Wire Jumper, 0.58MM.	3198	036	90010					
9904	Wire Jumper, 0.58MM.	3198	036	90010					
9905	Wire Jumper, 0.58MM.	3198	036	90010					
9911	Wire Jumper, 0.58MM.	3198	036	90010					
9912	Wire Jumper, 0.58MM.	3198	036	90010					
9913	Wire Jumper, 0.58MM.	3198	036	90010					
9914	Wire Jumper, 0.58MM.	3198	036	90010					
9915	Wire Jumper, 0.58MM.	3198	036	90010					
9916	Wire Jumper, 0.58MM.	3198	036	90010					
9918	Wire Jumper, 0.58MM.	3198	036	90010					
9919	Wire Jumper, 0.58MM.	3198	036	90010					
9920	Wire Jumper, 0.58MM.	3198	036	90010					
9921	Wire Jumper, 0.58MM.	3198	036	90010					
9922	Wire Jumper, 0.58MM.	3198	036	90010					
9991	Wire Jumper, 0.58MM.	3198	036	90010					
9994	Wire Jumper, 0.58MM.	3198	036	90010					
9996	Wire Jumper, 0.58MM.	3198	036	90010					
9998	Wire Jumper, 0.58MM.	3198	036	90010					
CBA	Main Chassis Assembly.	3139	177	25741					

CRT Panel Parts (Part of Main Chassis)

	CRT Panel Parts (Part of Main Chassis)								
0244	Connector, 5 Pin	2422	025	04853					
0245	Connector, 6 Pin	2422	025	04854					
S 0254	CRT Socket, 9 Pin.	2422	500	80067					
2330	Cap, 100n, 10%, 250v, Metallized Poly ester.	2222	368	90177					
2340	Cap, 10u, 20%, 250v, Electrolytic.	2020	012	93495					
2341	Cap, 3n3, 10%, 500v, Ceramic	3198	019	43320					
2342	Cap, 560p, 5%, 50v, Ceramic.	3198	016	05610					
2343	Cap, 3n3, 10%, 2000v, Ceramic.	2020	558	90529					
2344	Cap, 100n, +80/-20%, 25v, Ceramic.	3198	023	21040					
2345	Cap, 1n, 10%, 500v, Ceramic.	3198	019	41020					
3331	Res, 100 ohm, 5%, 1/6W, Carbon Film.	3198	011	01010					
3332	Res, 1K, 20%, 1/2W, Carbon Film.	3198	013	01020					
3333	Res, 100 ohm, 5%, 1/6W, Carbon Film.	3198	011	01010					
3334	Res, 1K, 20%, 1/2W, Carbon Film.	3198	013	01020					
3335	Res, 100 ohm, 5%, 1/6W, Carbon Film.	3198	011	01010					
3336	Res, 1K, 20%, 1/2W, Carbon Film.	3198	013	01020					
S 3340	Res, 10 ohm, 5%, 1/2W, Metal Film.	2306	207	03109					
S 3341	Res, 1 ohm, 5%, 1/3W, Metal Film.	2306	204	03108					
S 3342	Res, 1 ohm, 5%, 1/3W, Metal Film.	2306	204	03108					
3343	Res, 1K5, 20%, 1/2W, Carbon Film.	3198	013	01520					
3344	Res, 22 ohm, 5%, 1/6W, Carbon Film.	3198	011	02290					
3345	VDR DC 1MA/ 50V S MAX 115V A	2322	593	13507					
3346	Res, 22 ohm, 5%, 1/6W, Carbon Film.	3198	011	02290					
3347	Res, Zero ohm, Chip Jumper	3198	021	90020					
3350	Res, Zero ohm, Chip Jumper	3198	021	90020					
3353	Res, Zero ohm, Chip Jumper	3198	021	90020					
5342	Coil, 22u.	2422	535	97333					
6331	Diode, Signal, BAV21	3198	010	10070					
6332	Diode, Signal, BAS316.	3198	010	10630					
6333	Diode, Signal, BAV21	3198	010	10070					
6335	Diode, Signal, BAV21	3198	010	10070					
7330	IC, TDA6107Q/N2.	9352	576	50112					
9311	Wire Jumper, 0.58MM.	3198	036	90010					
9341	Wire Jumper, 0.58MM.	3198	036	90010					
9342	Wire Jumper, 0.58MM.	3198	036	90010					
9343	Wire Jumper, 0.58MM.	3198	036	90010					

Side AV+HP Panel Parts - 313912723881

	Side AV+HP Panel Parts - 313912723881								
CBA	Side AV+HP Panel Assembly.	3139	127	23881					
0232	1 Pin Headphone Socket	2422	026	04747					
0250	3 Pin Cinch Socket	2422	026	04815					
0251	6 Pin Connector.	2422	025	12482					
0254	5 Pin Connector.	2422	025	12481					
0255	4 Pin Connector.	2422	025	12479					
2171	Cap, 470p, 10%, 50v, Ceramic	3198	019	14710					
2172	Cap, 470p, 10%, 50v, Ceramic	3198	019	14710					
2173	Cap, 470p, 10%, 50v, Ceramic	3198	019	14710					
2174	Cap, 470p, 10%, 50v, Ceramic	3198	019	14710					
2176	Cap, 470p, 10%, 50v, Ceramic	3198	019	14710					
2177	Cap, 10u, 20%, 50v, Electrolytic	3198	025	51090					
2178	Cap, 470p, 10%, 50v, Ceramic	3198	019	14710					
2179	Cap, 10u, 20%, 50v, Electrolytic	3198	025	51090					
3150	Res, 47K, 5%, 1/6W, Carbon Film.	3198	011	04730					
3151	Res, 150 ohm, 5%, 1/6W, Carbon Film.	3198	011	01510					
3152	Res, 47K, 5%, 1/6W, Carbon Film.	3198	011	04730					
3153	Res, 150 ohm, 5%, 1/6W, Carbon Film.	3198	011	01510					
3156	Res, 120 ohm, 5%, 1/6W, Carbon Film.	3198	011	01210					
3157	Res, 120 ohm, 5%, 1/6W, Carbon Film.	3198	011	01210					
6161	Zener Diode, 6.8 volt.	3198	010	26880					
9153	Jumper	3198	036	90010					

S = Safety Part. Be sure to use exact replacement part.

PPC132C321 - Manual no. 7629

Cabinet & Accessory Parts

	Cabinet & Accessory Parts				
	CBA EPS(1B). Module, (ITV)	3139	137	22961	
S	AC01 AC Cord.	3135	010	04323	
	AC02 AC Cord Relief (Not Shown)	3135	010	02841	
	AC03 Battery, 1.5V AA, 2-Pack, (Not Shown)	9299	000	10137	
	AC04 Cabinet, Back (ITV)	3135	014	06531	
	AC07 Chassis Tray	3139	124	31324	
	AC09 Clip, Anode Lead (3 Used) (Not Shown)	3135	014	04471	
S	AC10 CRT A80QCF340X34(N)	9301	904	59463	
	AC11 Customer Control Panel	3139	124	26472	
	AC12 Coil, Degaussing	2422	549	45334	
	AC13 Holder, Degaussing (4 Used)	3135	013	01661	
	AC16 Owner's Manual	3135	015	20912	
	AC20 Cabinet, Front Assembly - Model PPC13				
	2C321	3121	237	52401	
	AC20A Cabinet, Front	3135	127	50031	
	AC20D Light Guide	3139	124	26461	
	AC20E Nameplate	3135	015	03571	
	AC20F Power Button	3139	124	26444	
	AC20J Speaker, 16R, 5W (2 Used)	2422	264	00401	
	AC27 Bracket, Power Button	3135	121	20061	
	AC28 Card, Door (ITV)	3135	014	05211	
	AC29 Bracket, EPS Module, (Horiz)	3135	014	09221	
	AC22 Spring	3139	121	26231	
	CBA Audio Jack Panel (ITV) (Not Shown)	3135	124	00181	
REMOTE	Transmitter, Remote, RC2524 /01	3139	228	84651	

Main Chassis Assembly Parts

	Main Chassis Assembly Parts				
	1000 Tuner, V+U PLL	2422	542	90113	
	7200 IC, SM TDA9563H/N1/3/0485	4835	310	57624	
	0040 Cover, Cinch	3139	124	25551	
	0118 U-Cooling Plate	3139	121	26731	
	0122 Heatsink, Line	3135	121	60041	
	0123 Heatsink, Audio	3139	121	62501	
	0124 Heatsink, SOPS	3139	121	62201	
	0127 Socket, Fuse	2422	088	00271	
	0129 NTC, Holder	3139	120	10151	
	0136 IC-Spring	3104	301	22081	
	0137 Spring	3139	121	24581	
	0138 IC-Spring	3104	301	22081	
	0139 Spring for Bracket	3122	121	24786	
	0140 Spring	3139	121	24581	
	0141 IC-Spring	3104	301	22081	
	0152 Cable, DIPMATE, 6 Pin 560mm	3139	121	08951	
	0153 Cable, 5 Pin, 560mm	3139	121	09041	
	0157 Cable, 4 Pin, 280mm	3135	121	00122	
	0165 Ground Terminal Assembly 340mm	3139	121	08883	
	0211 Connector, 2 Pin	2422	025	16269	
S	0212 Connector, 2 Pin	2422	025	16375	
	0213 Connector, 2 Pin	2422	025	16374	
	0215 Connector, 3 Pin	2422	025	16383	
	0217 Connector, 6 Pin	2422	025	12482	
	0218 Socket, Cinch, 3 Pin	2422	026	04742	
S	0220 Connector, 5 Pin	2422	025	04853	
S	0221 Connector, 4 Pin	2422	025	15503	
S	0222 Connector, 2 Pin	2422	025	10646	
	0227 Connector, 6 Pin	2422	025	15849	
	0229 Connector, 7 Pin	2422	025	17209	
	0240 Connector, 7 Pin	2422	025	11244	
	0242 Connector, 7 Pin	2422	025	17042	
S	0243 Connector, 6 Pin	2422	025	04854	
	0246 Connector, 5 Pin	2422	025	12481	
	0259 Connector, 5 Pin	2422	025	15848	
	0262 Connector, 3 Pin	2422	025	16937	
	0267 Connector, 3 Pin	2412	020	00725	
	1002 SAW Filter, 45MHz75, OFWML971M	2422	549	44518	
	1200 Filter, Ceramic, 4MHz5	2422	549	40807	
S	1500 Fuse, 4A, 250V, 1EC	2422	086	10914	
S	1515 Relay, 12V, 5A G5PA-1	2422	132	07444	
	1600 Switch, Tactile	2422	128	02742	
	1601 Switch, Tactile	2422	128	02742	
	1602 Switch, Tactile	2422	128	02742	
	1603 Switch, Tactile	2422	128	02742	
	1606 Switch, Tactile	2422	128	02742	
	1660 Crystal, 12MHz000	2422	543	01203	
	1831 Crystal, Resonator, 18MHz432, 12 Pin, HC49/U A	2422	543	00842	
	2004 Cap, 47n, 10%, 25v, Ceramic	3198	023	04730	
	2005 Cap, 10u, 20%, 50v, Electrolytic	3198	025	51090	
	2006 Cap, 470u, 20%, 16v, Electrolytic	3198	025	24710	
	2007 Cap, 100n, +80/-20%, 25v, Ceramic	3198	023	21040	
	2008 Cap, 100u, 20%, 25v, Electrolytic	3198	025	31010	
	2009 Cap, 22n, 10%, 50v, Ceramic	3198	017	02230	
	2135 Cap, 22p, 5%, 50v, Ceramic	3198	016	02290	
	2136 Cap, 22p, 5%, 50v, Ceramic	3198	016	02290	
	2181 Cap, 22p, 5%, 50v, Ceramic	3198	016	02290	
	2182 Cap, 330p, 10%, 50v, Ceramic	3198	017	03310	
	2183 Cap, 330p, 10%, 50v, Ceramic	3198	017	03310	
	2184 Res, Zero ohm, "Chip" Jumper	3198	021	90020	
	2202 Cap, 100n, +80/-20%, 25v, Ceramic	3198	023	21040	

S = Safety Part Be sure to use exact replacement part.

	2203 Cap, 100n, +80/-20%, 25v, Ceramic	3198	023	21040
	2204 Cap, 100n, +80/-20%, 25v, Ceramic	3198	023	21040
	2205 Cap, 220n, +80/-20%, 25v, Ceramic	3198	023	22240
	2208 Cap, 100n, +80/-20%, 25v, Ceramic	3198	023	21040
	2209 Cap, 10u, 20%, 50v, Electrolytic	3198	025	51090
	2210 Cap, 1u, +80/-20%, 16v, Ceramic	3198	017	21050
	2211 Cap, 470n, +80/-20%, 16v, Ceramic	3198	017	24740
	2213 Cap, 22n, 10%, 50v, Ceramic	3198	017	02230
	2214 Cap, 22n, 10%, 50v, Ceramic	3198	017	02230
	2215 Cap, 22n, 10%, 50v, Ceramic	3198	017	02230
	2216 Cap, 1000u, 20%, 16v, Electrolytic	3198	026	21020
	2217 Cap, 22n, 10%, 50v, Ceramic	3198	017	02230
	2219 Cap, 220n, +80/-20%, 25v, Ceramic	3198	023	22240
	2220 Cap, 470n, 10%, 50v, Polyester	3198	014	04740
	2221 Cap, 22n, +80/-20%, 50v, Ceramic	3198	017	22230
	2241 Cap, 1n5, 10%, 50v, Ceramic	3198	017	01520
	2242 Cap, 1u, +80/-20%, 16v, Ceramic	3198	017	21050
	2243 Cap, 2n2, 10%, 50v, Ceramic	3198	017	02220
	2244 Cap, 100n, 10%, 63v, Metalized Polyeste			
	ter.	2222	370	75104
	2245 Cap, 470n, +80/-20%, 16v, Ceramic	3198	017	24740
	2247 Cap, 1000u, 20%, 16v, Electrolytic	3198	026	21020
	2248 Cap, 22n, 10%, 50v, Ceramic	3198	017	02230
	2249 Cap, 22n, 10%, 50v, Ceramic	3198	017	02230
	2250 Cap, 2u2, 20%, 50v, Electrolytic	3198	025	52280
	2252 Cap, 1n, 5%, 50v, Ceramic	3198	016	01020
	2253 Cap, 1n, 5%, 50v, Ceramic	3198	016	01020
	2254 Res, Zero ohm, "Chip" Jumper	3198	021	90020
	2401 Cap, 2u2, 20%, 50v, Electrolytic	2020	021	90552
	2402 Cap, 470p, 10%, 500v, Ceramic	3198	019	44710
	2404 Cap, 47u, 20%, 50v, Electrolytic	3198	025	54790
	2405 Cap, 220u, 20%, 25v, Electrolytic	3198	025	32210
	2441 Cap, 1u, 20%, 50v, Electrolytic	3198	025	51080
	2443 Cap, 47n, +80/-20%, 50v, Ceramic	3198	017	24730
	2444 Cap, 1u, 20%, 50v, Electrolytic	3198	025	51080
	2450 Cap, 47u, 20%, 160v, Electrolytic	2020	021	91139
	2451 Cap, 15n, 10%, 50v, Polyester	3198	014	01530
	2452 Cap, 180p, 5%, 50v, Ceramic	3198	016	01810
	2455 Cap, 47u, 20%, 25v, Electrolytic	3198	025	34790
	2457 Cap, 470n, 5%, 250v, Polypropylene	2222	479	90023
	2458 Cap, 2u2, 20%, 100v, Electrolytic	2020	021	91331
	2459 Cap, 680p, 10%, 500v, Ceramic	3198	019	46810
	2460 Cap, 100p, 5%, 50v, Ceramic	3198	016	01010
	2463 Cap, 1n2, 10%, 2000v, Ceramic	2020	558	90488
	2464 Cap, 2u2, 5%, 160v, Metalized Polypropylene	2222	479	90042
	2465 Cap, 13n, 5%, 1600v, Polypropylene	2222	375	90157
	2466 Cap, 15n, 10%, 400v, Polyester	2222	347	90219
	2468 Cap, 10n, 10%, 400v, Polyester	2222	347	90218
	2471 Cap, 100n, 10%, 50v, Polyester	3198	014	01040
	2472 Cap, 150n, 10%, 63v, Polyester	2222	365	75154
	2473 Cap, 100n, 10%, 63v, Polyester	2222	365	75104
	2474 Cap, 2n2, 10%, 50v, Ceramic	3198	017	02220
	2475 Cap, 2n2, 10%, 50v, Ceramic	3198	017	02220
	2476 Cap, 4n7, 10%, 50v, Ceramic	3198	017	04720
	2480 Cap, 47u, 20%, 25v, Electrolytic	2020	021	90586
	2481 Cap, 470p, 10%, 500v, Ceramic	3198	019	44710
	2482 Cap, 68n, 10%, 250v, Polyester	2222	347	90234
	2485 Cap, 4u7, 20%, 250v, Electrolytic	2020	021	90856
	2486 Cap, 470u, 20%, 16v, Electrolytic	2020	021	91577
	2487 Cap, 47u, 20%, 50v, Electrolytic	2020	021	90854
	2488 Cap, 1000u, 20%, 16v, Electrolytic	2020	021	91049
	2489 Cap, 470u, 20%, 16v, Electrolytic	2020	021	91577
	2491 Cap, 1n, 10%, 500v, Ceramic	3198	019	41020
	2500 Cap, 470n, 20%, 275v, Polypropylene	2222	336	29148
	2501 Cap, 2n2, 10%, 1000v, Ceramic	3198	019	52220
	2502 Cap, 2n2, 10%, 1000v, Ceramic	3198	019	52220
	2503 Cap, 470u, 20%, 200v, Electrolytic	2020	024	90626
	2505 Cap, 2n2, 10%, 1000v, Ceramic	3198	019	52220
	2507 Cap, 470p, 10%, 50v, Ceramic	3198	017	04710
	2508 Cap, 470p, 10%, 1000v, Ceramic	3198	019	64710
S	2515 Cap, 1n5, 20%, v, Ceramic	2020	554	90128
	2520 Cap, 100n, 10%, 16v, Ceramic	3198	017	01040
	2521 Cap, 22u, 20%, 50v, Electrolytic	3198	025	52290
	2522 Cap, 100n, 10%, 16v, Ceramic	3198	017	01040
	2523 Cap, 1n5, 10%, 2000v, Ceramic	2020	558	90489
	2525 Cap, 470p, 10%, 50v, Ceramic	3198	017	04710
	2527 Cap, 2n2, 10%, 50v, Ceramic	3198	017	02220
	2528 Cap, 1n, 10%, 50v, Ceramic	3198	017	01020
	2540 Cap, 10n, 10%, 50v, Ceramic	3198	017	01030
	2560 Cap, 680p, 10%, 1000v, Ceramic	3198	01	

PPC132C321 (continued)

2608	Cap, 1u, +80/-20%, 16v, Ceramic . . .	3198 017 21050	3216	Res, 470 ohm, 5%, 1/6W, Carbon Film.	3198 011 04710
2609	Cap, 33p, 5%, 50v, Ceramic	3198 016 03390	3217	Res, 330K, 5%, 1/10W, Metalized Glass	3198 021 53340
2611	Cap, 1u, +80/-20%, 16v, Ceramic . . .	3198 017 21050	3218	Res, 82K, 5%, 1/10W, Metalized Glass	3198 021 58230
2612	Cap, 68p, 5%, 50v, Ceramic	3198 016 06890	3219	Res, 2K2, 5%, 1/10W, Metalized Glass	3198 021 52220
2613	Cap, 68p, 5%, 50v, Ceramic	3198 016 06890	3220	Res, 100 ohm, 5%, 1/6W, Carbon Film.	3198 011 01010
2615	Cap, 1n, 10%, 50v, Ceramic	3198 017 01020	3221	Res, 560 ohm, 5%, 1/6W, Carbon Film.	3198 011 05610
2616	Cap, 470n, +80/-20%, 16v, Ceramic . .	3198 017 24740	3222	Res, 100 ohm, 5%, 1/6W, Carbon Film.	3198 011 01010
2618	Cap, 1u, +80/-20%, 16v, Ceramic . . .	3198 017 21050	3223	Res, 100 ohm, 5%, 1/10W, Metalized Gl	
2619	Cap, 1u, +80/-20%, 16v, Ceramic . . .	3198 017 21050		ass.	3198 021 51010
2691	Cap, 220u, 20%, 25v, Electrolytic . .	3198 025 32210	3226	Res, 560 ohm, 5%, 1/10W, Metalized Gl	
2801	Cap, 22u, 20%, 50v, Electrolytic . .	3198 025 52290		ass.	3198 021 55610
2802	Cap, 220n, +80/-20%, 25v, Ceramic . .	3198 023 22240	3235	Res, 100 ohm, 5%, 1/6W, Carbon Film.	3198 011 01010
2803	Cap, 2u2, +80/-20%, 10v, Ceramic . .	3198 017 22250	3241	Res, 22K, 5%, 1/10W, Metalized Glass	3198 021 52230
2804	Cap, 2u2, +80/-20%, 10v, Ceramic . .	3198 017 22250	3242	Res, 12K, 5%, 1/10W, Metalized Glass	3198 021 51230
2805	Cap, 2u2, +80/-20%, 10v, Ceramic . .	3198 017 22250	3244	Res, 820 ohm, 5%, 1/6W, Carbon Film.	3198 011 08210
2806	Cap, 2u2, +80/-20%, 10v, Ceramic . .	3198 017 22250	3245	Res, 39K, 5%, 1/10W, Metalized Glass	3198 021 53930
2831	Cap, 1p, 25%, 50v, Ceramic	3198 016 01080	3246	Res, 10K, 5%, 1/10W, Metalized Glass	3198 021 51030
2832	Cap, 1p, 25%, 50v, Ceramic	3198 016 01080	3247	Res, 470K, 5%, 1/10W, Metalized Glass	3198 021 54740
2833	Cap, 47p, 5%, 50v, Ceramic	3198 016 04790	3248	Res, 33K, 5%, 1/10W, Metalized Glass	3198 021 53330
2834	Cap, 470p, 5%, 50v, Ceramic	3198 016 04710	3249	Res, 820 ohm, 5%, 1/6W, Carbon Film.	3198 011 08210
2835	Cap, 220p, 5%, 50v, Ceramic	3198 016 02210	3250	Res, 8K2, 5%, 1/6W, Carbon Film. . .	3198 011 08220
2836	Cap, 1n5, 10%, 50v, Ceramic	3198 017 01520	3251	Res, 100 ohm, 5%, 1/6W, Carbon Film.	3198 011 01010
2837	Cap, 4u7, 20%, 50v, Electrolytic . .	3198 025 54780	3256	Res, 1K, 5%, 1/10W, Metalized Glass.	3198 021 51020
2840	Cap, 100n, +80/-20%, 25v, Ceramic . .	3198 023 21040	3257	Res, 10M, 5%, 1/10W, Metalized Glass	3198 021 51060
2841	Cap, 10u, 20%, 50v, Electrolytic . .	3198 025 51090	3258	Res, 100K, 5%, 1/10W, Metalized Glass	3198 021 51040
2842	Cap, 100n, +80/-20%, 25v, Ceramic . .	3198 023 21040	3259	Res, 470K, 5%, 1/10W, Metalized Glass	3198 021 54740
2843	Cap, 10u, 20%, 50v, Electrolytic . .	3198 025 51090	3400	Res, 330 ohm, 5%, 1/6W, Carbon Film.	3198 011 03310
2844	Cap, 10u, 20%, 50v, Electrolytic . .	3198 025 51090	3401	Res, 33K, 5%, 1/6W, Carbon Film. . .	3198 011 03330
2845	Cap, 100n, +80/-20%, 25v, Ceramic . .	3198 023 21040	3403	Res, 100K, 5%, 1/6W, Carbon Film. . .	3198 011 01040
2846	Cap, 100u, 20%, 25v, Electrolytic . .	3198 025 31010	3404	Res, 1K, 5%, 1/6W, Carbon Film. . . .	3198 011 01020
2849	Cap, 1n, 5%, 50v, Ceramic	3198 016 01020	3405	Res, 4R7, 5%, 1/6W, Carbon Film. . . .	3198 011 04780
2850	Cap, 1p, 5%, 50v, Ceramic	3198 016 01020	3406	Res, 4R7, 5%, 1/6W, Carbon Film. . . .	3198 011 04780
2851	Cap, 4u7, +80/-20%, 10v, Ceramic . .	2020 552 96305	3408	Res, 100 ohm, 5%, 1/6W, Carbon Film.	3198 011 01010
2852	Cap, 1n, 5%, 50v, Ceramic	3198 016 01020	3410	Res, 10K, 5%, 1/6W, Carbon Film. . . .	3198 011 01030
2853	Cap, 4u7, +80/-20%, 10v, Ceramic . .	2020 552 96305	3411	Res, 4R7, 5%, 1/3W, Metal Film. . . .	2306 204 03478
2854	Cap, 1n, 5%, 50v, Ceramic	3198 016 01020	3441	Res, 100 ohm, 5%, 1/10W, Metalized Gl	
2855	Cap, 33p, 5%, 50v, Ceramic	3198 016 03390		ass.	3198 021 51010
2856	Cap, 47p, 5%, 50v, Ceramic	3198 016 04790	3442	Res, Zero ohm, "Chip" Jumper	3198 021 90020
2857	Cap, 150p, 5%, 50v, Ceramic	3198 016 01510	3443	Res, 1M, 5%, 1/10W, Metalized Glass.	3198 021 51050
2860	Cap, 180p, 5%, 50v, Ceramic	3198 016 01810	3445	Res, 15K, 5%, 1/6W, Carbon Film. . . .	3198 011 01530
2894	Cap, 220p, 5%, 50v, Ceramic	3198 016 02210	3446	Res, 5K6, 5%, 1/6W, Carbon Film. . . .	3198 011 05620
2895	Cap, 560p, 5%, 50v, Ceramic	3198 016 05610	3447	Res, 180 ohm, 5%, 1/6W, Carbon Film.	3198 011 01810
2897	Cap, 390p, 5%, 50v, Ceramic	3198 016 03910	3448	Res, 820 ohm, 5%, 1/6W, Carbon Film.	3198 011 08210
2898	Cap, 10n, 10%, 50v, Ceramic	3198 017 01030	3449	Res, 68 ohm, 5%, 1/6W, Carbon Film. .	3198 011 06890
2902	Cap, 1000u, 20%, 16v, Electrolytic . .	3198 026 21020	3450	Res, 33 ohm, 5%, 1/6W, Carbon Film. .	3198 011 03390
2903	Cap, 1u, 20%, 50v, Electrolytic	3198 025 51080	S 3451	Res, 1 ohm, 5%, 1/3W, Metal Film. . . .	2306 204 03108
2904	Cap, 470n, +80/-20%, 16v, Ceramic . .	3198 017 24740	3452	Res, 5K1, 1%, 3/5W, Metal Film.	2312 915 15102
2905	Cap, 1n, 10%, 50v, Ceramic	3198 017 01020	3453	Res, 1K, 5%, 1/6W, Carbon Film.	3198 011 01020
2906	Cap, 470n, +80/-20%, 16v, Ceramic . .	3198 017 24740	3454	Res, 2K, 1%, 3/5W, Metal Film.	2312 915 12002
2907	Cap, 1n, 10%, 50v, Ceramic	3198 017 01020	3455	Res, 6R8, 5%, 1 1/3W, Metal Film. . . .	3198 012 26880
2908	Cap, 10u, 20%, 50v, Electrolytic . . .	3198 025 51090	3458	Res, 1K, 5%, 1/6W, Carbon Film.	3198 011 01020
2910	Cap, 3n3, 10%, 50v, Ceramic	3198 017 03320	3459	Res, 15K, 5%, 1 1/3W, Metal Film. . . .	3198 012 21530
2911	Cap, 3n3, 10%, 50v, Ceramic	3198 017 03320	3460	Res, 3K9, 5%, 1/6W, Carbon Film. . . .	3198 011 03920
2950	Cap, 330p, 5%, 50v, Ceramic	3198 016 03310	3463	Res, 33 ohm, 5%, 1/6W, Carbon Film. .	3198 011 03390
3000	Res, 100 ohm, 5%, 1/6W, Carbon Film.	3198 011 01010	3465	Res, 27K, 1%, 3/5W, Metal Film.	2312 915 12703
3001	Res, 100 ohm, 5%, 1/6W, Carbon Film.	3198 011 01010	3468	Res, 180 ohm, 5%, 1/6W, Carbon Film.	3198 011 01810
3002	Res, Zero ohm, "Chip" Jumper	3198 021 90020	3469	Res, 3K3, 5%, 1/6W, Carbon Film. . . .	3198 011 03320
3003	Res, 1K5, 5%, 1/10W, Metalized Glass	3198 021 51520	3470	Res, 390K, 5%, 1/8W, Metalized Glass	2322 730 61394
3004	Res, 8K2, 5%, 1/10W, Metalized Glass	3198 021 58220	3471	Res, 3R9, 1%, 3/5W, Metal Film.	2312 915 13908
3005	Res, 100 ohm, 5%, 1/6W, Carbon Film.	3198 011 01010	3472	Res, 3R9, 1%, 3/5W, Metal Film.	2312 915 13908
3136	Res, 100 ohm, 5%, 1/6W, Carbon Film.	3198 011 01010	3473	Res, 5R6, 1%, 3/5W, Metal Film.	2312 915 15608
3138	Res, 100 ohm, 5%, 1/6W, Carbon Film.	3198 011 01010	3474	Res, 2K2, 1%, 3/5W, Metal Film.	2312 915 12202
3151	Res, 680 ohm, 5%, 1/10W, Metalized Gl		3475	Res, 2K2, 1%, 3/5W, Metal Film.	2312 915 12202
	ass.	3198 021 56810	3477	Res, 150 ohm, 5%, 1/6W, Carbon Film.	3198 011 01510
3152	Res, 680 ohm, 5%, 1/10W, Metalized Gl		3478	Res, 150 ohm, 5%, 1/6W, Carbon Film.	3198 011 01510
	ass.	3198 021 56810	3479	Res, 2K7, 5%, 1/10W, Metalized Glass	3198 021 52720
3153	Res, 680 ohm, 5%, 1/10W, Metalized Gl		3480	Res, 1R5, 5%, 1/4W, Carbon Film.	2120 101 74158
	ass.	3198 021 56810	3481	Res, 15K, 1%, 3/5W, Metal Film.	2312 915 11503
3181	Res, 75 ohm, 5%, 1/6W, Carbon Film. .	3198 011 07590	3482	Res, 6K8, 1%, 3/5W, Metal Film.	2312 915 16802
3182	Res, 100 ohm, 5%, 1/6W, Carbon Film.	3198 011 01010	3484	Res, 3K9, 5%, 1/6W, Carbon Film.	3198 011 03920
3183	Res, 150 ohm, 5%, 1/6W, Carbon Film.	3198 011 01510	3486	Res, 33 ohm, 5%, 2 1/2W, Metal Film.	3198 012 33390
3184	Res, 47K, 5%, 1/10W, Metalized Glass	3198 021 54730	3488	Res, 4R7, 5%, 1/2W, Metal Film.	2306 207 03478
3185	Res, 150 ohm, 5%, 1/6W, Carbon Film.	3198 011 01510	3490	Res, 8K2, 5%, 1/6W, Carbon Film.	3198 011 08220
3186	Res, 47K, 5%, 1/10W, Metalized Glass	3198 021 54730	3492	Res, 1K, 5%, 1/10W, Metalized Glass.	3198 021 51020
3200	Res, 390 ohm, 5%, 1/6W, Carbon Film.	3198 011 03910	3493	Res, 2R2, 5%, 1/3W, Metal Film.	2306 204 03228
3201	Res, 100 ohm, 5%, 1/6W, Carbon Film.	3198 011 01010	3494	Res, 4R7, 5%, 1/2W, Metal Film.	2306 207 03478
3202	Res, 100 ohm, 5%, 1/6W, Carbon Film.	3198 011 01010	3495	Res, 22K, 5%, 1/10W, Metalized Glass	3198 021 52230
3203	Res, 100 ohm, 5%, 1/6W, Carbon Film.	3198 011 01010	3496	Res, 100K, 5%, 1/10W, Metalized Glass	3198 021 51040
3204	Res, 22K, 5%, 1/6W, Carbon Film. . . .	3198 011 02230	3497	Res, 100K, 5%, 1/10W, Metalized Glass	3198 021 51040
3206	Res, 270K, 5%, 1/8W, Metalized Glass	2322 730 61274	3498	Res, 12K, 5%, 1/10W, Metalized Glass	3198 021 51230
3207	Res, 1K, 5%, 1/6W, Carbon Film.	3198 011 01020	3499	Res, 10K, 5%, 1/10W, Metalized Glass	3198 021 51030
3208	Res, 220 ohm, 5%, 1/10W, Metalized Gl		S 3500	Res, 3M3, 5%, 1/2W, Metalized Glass.	2322 242 13335
	ass.	3198 021 52210	S 3501	Res, 3M3, 5%, 1/2W, Metalized Glass.	2322 242 13335
3209	Res, 68 ohm, 5%, 1/10W, Metalized Gla		S 3504	PTC, DC, 120V, P3020 B.	2120 661 00025
	ss.	3198 021 56890	S 3506	Res, 1M5, 5%, 1/2W, Metalized Glass.	2322 242 13155
3212	Res, 470 ohm, 5%, 1/10W, Metalized Gl		S 3507	Surge Protector.	2422 549 43073
	ass.	3198 021 54710	S 3508	Res, 220 ohm, 20%, 1/2W, Carbon Film	3198 013 02210
3213	Res, 560 ohm, 5%, 1/6W, Carbon Film.	3198 011 05610	S 3510	NTC, DC, B57237, 3W1, 4R7, 20% . . .	2122 612 00056
3214	Res, 100 ohm, 5%, 1/10W, Metalized Gl		3519	Res, 270 ohm, 5%, 1/6W, Carbon Film.	3198 011 02710
	ass.	3198 021 51010	3520	Res, 1K2, 5%, 1/10W, Metalized Glass	3198 021 51220
3215	Res, 560 ohm, 5%, 1/10W, Metalized Gl		3521	Res, 4R7, 5%, 1/6W, Carbon Film. . . .	3198 011 04780
	ass.	3198 021 55610	3522	Res, 330K, 1%, 1/8W, Metalized Glass	2322 734 63304

S = Safety Part Be sure to use exact replacement part.

PPC132C321 (continued)

S 3523	Res, 100 ohm, 5%, 1/3W, Metal Film . . .	2306 204 03101	4430	Res, Zero ohm, "Chip" Jumper	3198 021 90020
3524	Res, 56K, 5%, 1/10W, Metalized Glass	3198 021 55630	4500	Res, Zero ohm, "Chip" Jumper	3198 021 90020
3525	Res, 1K, 5%, 1/10W, Metalized Glass.	3198 021 51020	4604	Res, 3K3, 5%, 1/10W, Metalized Glass	3198 021 53320
3526	Res, 0R1, 5%, 3/5W, Metal Film	3198 012 11070	4613	Res, Zero ohm, "Chip" Jumper	3198 021 90020
3527	Res, 0R33, 5%, 3/5W, Metal Film. . . .	3198 012 13370	4614	Res, Zero ohm, "Chip" Jumper	3198 021 90020
3528	Res, Zero ohm, "Chip" Jumper	3198 021 90020	4615	Res, Zero ohm, "Chip" Jumper	3198 021 90020
3529	Res, 47K, 5%, 1/10W, Metalized Glass	3198 021 54730	4617	Res, Zero ohm, "Chip" Jumper	3198 021 90020
3530	Res, 10K, 5%, 1/10W, Metalized Glass	3198 021 51030	4619	Res, Zero ohm, "Chip" Jumper	3198 021 90020
3531	Res, 4K7, 5%, 1/10W, Metalized Glass	3198 021 54720	4622	Res, Zero ohm, "Chip" Jumper	3198 021 90020
S 3532	Res, 2K2, 5%, 1/3W, Metal Film	2306 204 03222	4623	Res, Zero ohm, "Chip" Jumper	3198 021 90020
3541	Res, 470 ohm, 5%, 1/10W, Metalized Gl ass.	3198 021 54710	4692	Res, Zero ohm, "Chip" Jumper	3198 021 90020
3542	Res, 1K5, 5%, 1/10W, Metalized Glass	3198 021 51520	4693	Res, Zero ohm, "Chip" Jumper	3198 021 90020
3543	Res, 82K, 1%, 3/5W, Metal Film	2312 915 18203	4696	Res, Zero ohm, "Chip" Jumper	3198 021 90020
3544	Res, 4K7, 1%, 1/8W, Metalized Glass.	2322 734 64702	4804	Res, Zero ohm, "Chip" Jumper	3198 021 90020
3545	Res, 270K, 5%, 1/8W, Metalized Glass	2322 730 61274	4811	Res, Zero ohm, "Chip" Jumper	3198 021 90020
3548	Res, 15K, 5%, 1/10W, Metalized Glass	3198 021 51530	4831	Res, Zero ohm, "Chip" Jumper	3198 021 90020
3558	Res, 330 ohm, 5%, 1W, Metal Film . . .	3198 012 13310	4833	Res, Zero ohm, "Chip" Jumper	3198 021 90020
3561	Res, 100 ohm, 5%, 1/6W, Carbon Film.	3198 011 01010	4835	Res, Zero ohm, "Chip" Jumper	3198 021 90020
3562	Res, 12K, 5%, 1/10W, Metalized Glass	3198 021 51230	4901	Res, Zero ohm, "Chip" Jumper	3198 021 90020
3563	Res, 5K6, 5%, 1/10W, Metalized Glass	3198 021 55620	4903	Res, Zero ohm, "Chip" Jumper	3198 021 90020
3564	Res, 0R1, 5%, 1 1/3W, Metal Film . . .	3198 012 21070	4982	Res, Zero ohm, "Chip" Jumper	3198 021 90020
3567	Res, 1K8, 5%, 1/10W, Metalized Glass	3198 021 51820	5001	Coil, 27u.	3198 018 22790
3580	Res, 47K, 5%, 1/10W, Metalized Glass	3198 021 54730	5002	Coil, 820n	3198 018 18270
3594	Res, 330 ohm, 5%, 1/10W, Metalized Gl ass.	3198 021 53310	5201	Coil, 6u8.	3198 018 16880
3595	Res, 220K, 5%, 1/10W, Metalized Glass	3198 021 52240	5202	Wire Jumper, 0.58MM.	3198 036 90010
3596	Res, 220K, 5%, 1/10W, Metalized Glass	3198 021 52240	5204	Fixed, Inductor, 100MHZ, 80 ohm. . . .	3198 018 90020
3601	Res, 8K2, 5%, 1/6W, Carbon Film. . . .	3198 011 08220	5205	Fixed, Inductor, 100MHZ, 80 ohm. . . .	3198 018 90020
3603	Res, 100 ohm, 5%, 1/6W, Carbon Film.	3198 011 01010	5206	Fixed, Inductor, 100MHZ, 80 ohm. . . .	3198 018 90020
3604	Res, 100 ohm, 5%, 1/6W, Carbon Film.	3198 011 01010	5241	Wire Jumper, 0.58MM.	3198 036 90010
3605	Res, 4K7, 5%, 1/10W, Metalized Glass	3198 021 54720	5242	Coil, 10u.	3198 018 11090
3606	Res, 2K2, 5%, 1/6W, Carbon Film. . . .	3198 011 02220	5401	Coil, 1m	3198 018 71020
3607	Res, 2K2, 5%, 1/6W, Carbon Film. . . .	3198 011 02220	S 5445	Transformer, PSLOT	3128 138 21421
3608	Res, 100 ohm, 5%, 1/6W, Carbon Film.	3198 011 01010	5451	Coil, 33u.	3198 018 73390
3609	Res, 1K, 5%, 1/6W, Carbon Film	3198 011 01020	5452	Fixed, Inductor, 100MHZ, 80 ohm. . . .	3198 018 90020
3610	Res, 8K2, 5%, 1/6W, Carbon Film. . . .	3198 011 08220	5457	Coil, Linear, DC12	3128 138 55881
3611	Res, 100 ohm, 5%, 1/10W, Metalized Gl ass.	3198 021 51010	5461	Transformer, Signal Driver, SC10015-0 0 B.	2422 531 02465
3618	Res, 6K8, 5%, 1/6W, Carbon Film. . . .	3198 011 06820	5463	Coil, Choke.	3128 138 37021
3622	Res, 100 ohm, 5%, 1/10W, Metalized Gl ass.	3198 021 51010	5471	Coil, 3u3.	3198 018 73380
3623	Res, 4K7, 5%, 1/10W, Metalized Glass	3198 021 54720	5472	Coil, 3u3.	3198 018 23380
3624	Res, 100 ohm, 5%, 1/6W, Carbon Film.	3198 011 01010	5480	Coil, 4u7.	2422 535 94213
3625	Res, 100 ohm, 5%, 1/6W, Carbon Film.	3198 011 01010	S 5501	Filter, Mains, 5mH, 2A	2422 549 43432
3626	Res, 4K7, 5%, 1/10W, Metalized Glass	3198 021 54720	S 5520	Transformer, Layer, SS39009-04 B	2422 531 02459
3627	Res, 4K7, 5%, 1/10W, Metalized Glass	3198 021 54720	5521	Fixed, Inductor, 100MHZ, 50R.	3198 018 90010
3628	Res, 10K, 5%, 1/10W, Metalized Glass	3198 021 51030	5560	Fixed, Inductor, 100MHZ, 50R.	3198 018 90010
3630	Res, 2K2, 5%, 1/10W, Metalized Glass	3198 021 52220	5561	Coil, 27u.	3198 018 22790
3632	Res, Zero ohm, "Chip" Jumper	3198 021 90020	5562	Fixed, Inductor, 100MHZ, 50R.	3198 018 90010
3636	Res, 100 ohm, 5%, 1/10W, Metalized Gl ass.	3198 021 51010	5564	Fixed, Inductor, 100MHZ, 50R.	3198 018 90010
3639	Res, Zero ohm, "Chip" Jumper	3198 021 90020	5602	Coil, 5u6.	3198 018 15680
3681	Res, 390 ohm, 5%, 1/10W, Metalized Gl ass.	3198 021 53910	5603	Coil, 5u6.	3198 018 15680
3682	Res, 3K3, 5%, 1/10W, Metalized Glass	3198 021 53320	5604	Coil, 5u6.	3198 018 15680
3683	Res, 390 ohm, 5%, 1/10W, Metalized Gl ass.	3198 021 53910	5831	Coil, 6u8.	3198 018 16880
3684	Res, 560 ohm, 5%, 1/10W, Metalized Gl ass.	3198 021 55610	5832	Coil, 6u8.	3198 018 16880
3685	Res, 560 ohm, 5%, 1/10W, Metalized Gl ass.	3198 021 55610	5833	Coil, 6u8.	3198 018 16880
3686	Res, 1K5, 5%, 1/10W, Metalized Glass	3198 021 51520	5835	Coil, 12u.	3198 018 31290
3691	Res, 330 ohm, 5%, 1/10W, Metalized Gl ass.	3198 021 53310	6001	Zener Diode, 33 volt	3198 010 23390
3693	Res, 220 ohm, 5%, 1/10W, Metalized Gl ass.	3198 021 52210	6201	Diode, Signal, BAS316.	3198 010 10630
3801	Res, 220 ohm, 5%, 1/6W, Carbon Film.	3198 011 02210	6202	Diode, Signal, BAS316.	3198 010 10630
3802	Res, 1K, 5%, 1/6W, Carbon Film	3198 011 01020	6206	Zener Diode, 6.8 volt.	3198 020 56880
3831	Res, 47K, 5%, 1/10W, Metalized Glass	3198 021 54730	6400	Res, 1K, 1%, 3/5W, Metal Film.	2312 915 11002
3832	Res, 100 ohm, 5%, 1/6W, Carbon Film.	3198 011 01010	6401	Zener Diode, 47 volt	3198 010 24790
3833	Res, 100 ohm, 5%, 1/6W, Carbon Film.	3198 011 01010	6445	Zener Diode, 10 volt	3198 020 51090
3836	Res, 1K, 5%, 1/10W, Metalized Glass.	3198 021 51020	6447	Diode, Signal, 1N4148.	3198 010 10010
3837	Res, 100 ohm, 5%, 1/6W, Carbon Film.	3198 011 01010	6448	Zener Diode, 6.2 volt.	9331 668 30133
3838	Res, 1K, 5%, 1/10W, Metalized Glass.	3198 021 51020	6449	Diode, Signal, BAV99	3198 010 10620
3839	Res, 100 ohm, 5%, 1/6W, Carbon Film.	3198 011 01010	6460	Diode, Rect, DG3-7005L.	9336 436 10682
3843	Res, 2K2, 5%, 1/10W, Metalized Glass	3198 021 52220	6461	Diode, Rect, RGP30J-L7004	9338 617 60682
3901	Res, 1K, 5%, 1/10W, Metalized Glass.	3198 021 51020	6462	Zener Diode, 9.1 volt.	9331 177 80133
3902	Res, 3K3, 5%, 1/10W, Metalized Glass	3198 021 53320	6465	Diode, Signal, BAV21	3198 010 10070
3903	Res, 3K3, 5%, 1/10W, Metalized Glass	3198 021 53320	6466	Diode, Signal, BAV21	3198 010 10070
3904	Res, 10K, 5%, 1/10W, Metalized Glass	3198 021 51030	6467	Diode, Signal, BAS316.	3198 010 10630
3905	Res, 3K3, 5%, 1/10W, Metalized Glass	3198 021 53320	6468	Diode, Signal, BAS316.	3198 010 10630
3906	Res, 10K, 5%, 1/10W, Metalized Glass	3198 021 51030	6469	Diode, Rect, BYD33J	9337 234 20133
3907	Res, 8K2, 5%, 1/10W, Metalized Glass	3198 021 58220	6470	Diode, Signal, BAV99	3198 010 10620
4001	Res, Zero ohm, "Chip" Jumper	3198 021 90020	6476	Zener Diode, 15 volt	3198 010 21590
4002	Res, Zero ohm, "Chip" Jumper	3198 021 90020	6481	Zener Diode, 5.6 volt.	3198 010 25680
4181	Res, Zero ohm, "Chip" Jumper	3198 021 90020	6482	Zener Diode, 9.1 volt.	9331 177 80133
4209	Res, Zero ohm, "Chip" Jumper	3198 021 90020	6483	Zener Diode, 33 volt	3198 010 23390
4216	Res, Zero ohm, "Chip" Jumper	3198 021 90020	6485	Diode, Rect, BYD33J	9337 234 20133
4217	Res, Zero ohm, "Chip" Jumper	3198 021 90020	6486	Diode, Rect, EGP20DL-5100	9322 164 42682
4401	Res, Zero ohm, "Chip" Jumper	3198 021 90020	6487	Diode, Rect, BYD33D	9337 234 00133
4402	Res, Zero ohm, "Chip" Jumper	3198 021 90020	6488	Diode, Rect, EGP20DL-5100	9322 164 42682
			6500	Diode, Bridge Rect, GBU4JL-7002	9322 132 55667
			6520	Diode, Rect, BYD33D	9337 234 00133
			6523	Diode, Signal, 1N4148.	3198 010 10010
			6524	Diode, Rect, 1N5062	3198 010 10120
			6525	Diode, Rect, 1N5062	3198 010 10120
			6526	Zener Diode, 22 volt	3198 020 52290
			6540	Zener Diode, 6.2 volt.	9331 668 30133
			6541	Zener Diode, 10 volt	3198 020 51090
			6560	Diode, Rect, BYV29X-500	9340 555 59127

S = Safety Part Be sure to use exact replacement part.

PPC132C321 (continued)

6561	Diode, Rect, SB340L-7010	9322	128	18682	9525	Wire Jumper, 0.58MM.	3198	036	90010
6563	Diode, Signal, BAS316	3198	010	10630	9528	Wire Jumper, 0.58MM.	3198	036	90010
6565	Diode, Signal, BAV70	9331	849	10215	9610	Wire Jumper, 0.58MM.	3198	036	90010
6580	Diode, Signal, BAS316	3198	010	10630	9611	Coil, 27u.	3198	018	22790
6681	Diode, Signal, BAT85	9336	247	60133	9612	Wire Jumper, 0.58MM.	3198	036	90010
6691	LED, LTL-10224WHCR	9322	050	99682	9613	Wire Jumper, 0.58MM.	3198	036	90010
6692	IR Receiver, TSOP1836UH3V	9322	127	54667	9614	Wire Jumper, 0.58MM.	3198	036	90010
6831	Diode, Signal, 1N4148	3198	010	10010	9615	Wire Jumper, 0.58MM.	3198	036	90010
6901	Res, Zero ohm, "Chip" Jumper	3198	021	90020	9616	Wire Jumper, 0.58MM.	3198	036	90010
7200	IC, TDA9563H/N1/4	9352	693	25557	9617	Wire Jumper, 0.58MM.	3198	036	90010
7201	Transistor, NPN, BC847B	3198	010	42030	9618	Wire Jumper, 0.58MM.	3198	036	90010
7204	Transistor, PNP, BC857B	3198	010	42150	9619	Wire Jumper, 0.58MM.	3198	036	90010
7205	Transistor, PNP, BC857B	3198	010	42150	9620	Wire Jumper, 0.58MM.	3198	036	90010
7208	Transistor, PNP, BC857B	3198	010	42150	9621	Wire Jumper, 0.58MM.	3198	036	90010
7400	FET Power, STP3NC60FP	9322	157	37687	9622	Wire Jumper, 0.58MM.	3198	036	90010
7441	Transistor, PNP, BC857B	3198	010	42150	9623	Wire Jumper, 0.58MM.	3198	036	90010
7443	Transistor, PNP, BC557B	3198	020	40110	9624	Wire Jumper, 0.58MM.	3198	036	90010
7460	Transistor, NPN, BU4508DX	9340	550	92127	9625	Wire Jumper, 0.58MM.	3198	036	90010
7461	Transistor, NPN, BC337-25	3198	020	43530	9626	Wire Jumper, 0.58MM.	3198	036	90010
7462	Transistor, NPN, PDTC143ZT	9340	547	00215	9627	Wire Jumper, 0.58MM.	3198	036	90010
7463	Transistor, NPN, BC327-25	3198	020	43430	9628	Wire Jumper, 0.58MM.	3198	036	90010
7471	IC, TDA8359J/N2	9352	701	64112	9629	Wire Jumper, 0.58MM.	3198	036	90010
7480	Transistor, NPN, BD135	3198	020	41010	9630	Wire Jumper, 0.58MM.	3198	036	90010
7482	Transistor, NPN, BD135	3198	020	41010	9631	Wire Jumper, 0.58MM.	3198	036	90010
S 7515	Optic, Coupler, TCE11104(G)	9322	175	72667	9632	Wire Jumper, 0.58MM.	3198	036	90010
7520	IC, TEA1507P/N1	9352	673	56112	9633	Wire Jumper, 0.58MM.	3198	036	90010
7521	FET Power, STP8NC50FP	9322	160	72687	9634	Wire Jumper, 0.58MM.	3198	036	90010
7522	Transistor, NPN, BC847B	3198	010	42030	9637	Wire Jumper, 0.58MM.	3198	036	90010
7540	Transistor, NPN, BC547B	3198	020	40030	9638	Wire Jumper, 0.58MM.	3198	036	90010
7560	IC, L78L33ACZ	9322	134	92676	9639	Wire Jumper, 0.58MM.	3198	036	90010
7561	Transistor, NPN, PDTC143ZT	9340	547	00215	9640	Wire Jumper, 0.58MM.	3198	036	90010
7580	Transistor, PNP, BC857B	3198	010	42150	9641	Wire Jumper, 0.58MM.	3198	036	90010
7602	IC, M24C16-WB6	9322	147	25682	9642	Wire Jumper, 0.58MM.	3198	036	90010
7606	Transistor, NPN, PDTC143ZT	9340	547	00215	9643	Wire Jumper, 0.58MM.	3198	036	90010
7801	IC, HEF4052BT	9333	729	50653	9644	Wire Jumper, 0.58MM.	3198	036	90010
7831	IC, MSP3445G-PO-B8	9322	160	81682	9645	Wire Jumper, 0.58MM.	3198	036	90010
7901	IC, AN7522N	9322	181	41682	9646	Wire Jumper, 0.58MM.	3198	036	90010
9001	Wire Jumper, 0.58MM.	3198	036	90010	9648	Wire Jumper, 0.58MM.	3198	036	90010
9111	Wire Jumper, 0.58MM.	3198	036	90010	9650	Wire Jumper, 0.58MM.	3198	036	90010
9112	Wire Jumper, 0.58MM.	3198	036	90010	9654	Wire Jumper, 0.58MM.	3198	036	90010
9113	Wire Jumper, 0.58MM.	3198	036	90010	9655	Wire Jumper, 0.58MM.	3198	036	90010
9171	Wire Jumper, 0.58MM.	3198	036	90010	9656	Wire Jumper, 0.58MM.	3198	036	90010
9172	Wire Jumper, 0.58MM.	3198	036	90010	9657	Wire Jumper, 0.58MM.	3198	036	90010
9173	Wire Jumper, 0.58MM.	3198	036	90010	9658	Wire Jumper, 0.58MM.	3198	036	90010
9175	Wire Jumper, 0.58MM.	3198	036	90010	9659	Wire Jumper, 0.58MM.	3198	036	90010
9176	Wire Jumper, 0.58MM.	3198	036	90010	9660	Wire Jumper, 0.58MM.	3198	036	90010
9178	Wire Jumper, 0.58MM.	3198	036	90010	9661	Wire Jumper, 0.58MM.	3198	036	90010
9179	Wire Jumper, 0.58MM.	3198	036	90010	9662	Wire Jumper, 0.58MM.	3198	036	90010
9182	Wire Jumper, 0.58MM.	3198	036	90010	9663	Wire Jumper, 0.58MM.	3198	036	90010
9183	Wire Jumper, 0.58MM.	3198	036	90010	9664	Wire Jumper, 0.58MM.	3198	036	90010
9192	Wire Jumper, 0.58MM.	3198	036	90010	9665	Wire Jumper, 0.58MM.	3198	036	90010
9193	Wire Jumper, 0.58MM.	3198	036	90010	9666	Wire Jumper, 0.58MM.	3198	036	90010
9406	Wire Jumper, 0.58MM.	3198	036	90010	9668	Wire Jumper, 0.58MM.	3198	036	90010
9407	Wire Jumper, 0.58MM.	3198	036	90010	9669	Wire Jumper, 0.58MM.	3198	036	90010
9408	Wire Jumper, 0.58MM.	3198	036	90010	9670	Wire Jumper, 0.58MM.	3198	036	90010
9409	Wire Jumper, 0.58MM.	3198	036	90010	9672	Coil, 27u.	2422	535	95366
9410	Wire Jumper, 0.58MM.	3198	036	90010	9674	Wire Jumper, 0.58MM.	3198	036	90010
9411	Wire Jumper, 0.58MM.	3198	036	90010	9675	Wire Jumper, 0.58MM.	3198	036	90010
9412	Wire Jumper, 0.58MM.	3198	036	90010	9676	Wire Jumper, 0.58MM.	3198	036	90010
9413	Wire Jumper, 0.58MM.	3198	036	90010	9678	Coil, 27u.	2422	535	95366
9414	Wire Jumper, 0.58MM.	3198	036	90010	9679	Wire Jumper, 0.58MM.	3198	036	90010
9415	Wire Jumper, 0.58MM.	3198	036	90010	9680	Wire Jumper, 0.58MM.	3198	036	90010
9416	Wire Jumper, 0.58MM.	3198	036	90010	9683	Wire Jumper, 0.58MM.	3198	036	90010
9417	Wire Jumper, 0.58MM.	3198	036	90010	9685	Wire Jumper, 0.58MM.	3198	036	90010
9418	Wire Jumper, 0.58MM.	3198	036	90010	9686	Wire Jumper, 0.58MM.	3198	036	90010
9419	Wire Jumper, 0.58MM.	3198	036	90010	9687	Wire Jumper, 0.58MM.	3198	036	90010
9421	Wire Jumper, 0.58MM.	3198	036	90010	9688	Wire Jumper, 0.58MM.	3198	036	90010
9422	Wire Jumper, 0.58MM.	3198	036	90010	9689	Wire Jumper, 0.58MM.	3198	036	90010
9423	Wire Jumper, 0.58MM.	3198	036	90010	9690	Wire Jumper, 0.58MM.	3198	036	90010
9424	Wire Jumper, 0.58MM.	3198	036	90010	9691	Wire Jumper, 0.58MM.	3198	036	90010
9425	Wire Jumper, 0.58MM.	3198	036	90010	9694	Wire Jumper, 0.58MM.	3198	036	90010
9426	Wire Jumper, 0.58MM.	3198	036	90010	9695	Wire Jumper, 0.58MM.	3198	036	90010
9427	Wire Jumper, 0.58MM.	3198	036	90010	9697	Wire Jumper, 0.58MM.	3198	036	90010
9453	Wire Jumper, 0.58MM.	3198	036	90010	9698	Wire Jumper, 0.58MM.	3198	036	90010
9460	Wire Jumper, 0.58MM.	3198	036	90010	9699	Wire Jumper, 0.58MM.	3198	036	90010
9463	Wire Jumper, 0.58MM.	3198	036	90010	9821	Wire Jumper, 0.58MM.	3198	036	90010
9500	Wire Jumper, 0.58MM.	3198	036	90010	9822	Wire Jumper, 0.58MM.	3198	036	90010
9501	Wire Jumper, 0.58MM.	3198	036	90010	9823	Wire Jumper, 0.58MM.	3198	036	90010
9503	Wire Jumper, 0.58MM.	3198	036	90010	9824	Wire Jumper, 0.58MM.	3198	036	90010
9506	Wire Jumper, 0.58MM.	3198	036	90010	9825	Wire Jumper, 0.58MM.	3198	036	90010
9507	Wire Jumper, 0.58MM.	3198	036	90010	9827	Wire Jumper, 0.58MM.	3198	036	90010
9510	Wire Jumper, 0.58MM.	3198	036	90010	9828	Wire Jumper, 0.58MM.	3198	036	90010
9512	Wire Jumper, 0.58MM.	3198	036	90010	9829	Wire Jumper, 0.58MM.	3198	036	90010
9513	Wire Jumper, 0.58MM.	3198	036	90010	9830	Wire Jumper, 0.58MM.	3198	036	90010
9514	Wire Jumper, 0.58MM.	3198	036	90010	9831	Wire Jumper, 0.58MM.	3198	036	90010
9515	Wire Jumper, 0.58MM.	3198	036	90010	9832	Wire Jumper, 0.58MM.	3198	036	90010
9516	Wire Jumper, 0.58MM.	3198	036	90010	9833	Wire Jumper, 0.58MM.	3198	036	90010
9518	Wire Jumper, 0.58MM.	3198	036	90010	9834	Wire Jumper, 0.58MM.	3198	036	90010
9520	Wire Jumper, 0.58MM.	3198	036	90010	9835	Wire Jumper, 0.58MM.	3198	036	90010
9521	Wire Jumper, 0.58MM.	3198	036	90010	9836	Wire Jumper, 0.58MM.	3198	036	90010
9522	Wire Jumper, 0.58MM.	3198	036	90010	9837	Wire Jumper, 0.58MM.	3198	036	90010
9524	Wire Jumper, 0.58MM.	3198	036	90010	9838	Wire Jumper, 0.58MM.	3198	036	90010

S = Safety Part. Be sure to use exact replacement part.

PPC132C321 (continued)

9839	Wire Jumper, 0.58MM.	3198	036	90010
9840	Wire Jumper, 0.58MM.	3198	036	90010
9841	Wire Jumper, 0.58MM.	3198	036	90010
9842	Wire Jumper, 0.58MM.	3198	036	90010
9843	Wire Jumper, 0.58MM.	3198	036	90010
9844	Wire Jumper, 0.58MM.	3198	036	90010
9845	Wire Jumper, 0.58MM.	3198	036	90010
9846	Wire Jumper, 0.58MM.	3198	036	90010
9847	Wire Jumper, 0.58MM.	3198	036	90010
9849	Wire Jumper, 0.58MM.	3198	036	90010
9851	Wire Jumper, 0.58MM.	3198	036	90010
9901	Wire Jumper, 0.58MM.	3198	036	90010
9902	Wire Jumper, 0.58MM.	3198	036	90010
9903	Wire Jumper, 0.58MM.	3198	036	90010
9904	Wire Jumper, 0.58MM.	3198	036	90010
9905	Wire Jumper, 0.58MM.	3198	036	90010
9911	Wire Jumper, 0.58MM.	3198	036	90010
9912	Wire Jumper, 0.58MM.	3198	036	90010
9913	Wire Jumper, 0.58MM.	3198	036	90010
9914	Wire Jumper, 0.58MM.	3198	036	90010
9915	Wire Jumper, 0.58MM.	3198	036	90010
9916	Wire Jumper, 0.58MM.	3198	036	90010
9918	Wire Jumper, 0.58MM.	3198	036	90010
9919	Wire Jumper, 0.58MM.	3198	036	90010
9920	Wire Jumper, 0.58MM.	3198	036	90010
9921	Wire Jumper, 0.58MM.	3198	036	90010
9991	Wire Jumper, 0.58MM.	3198	036	90010
9993	Wire Jumper, 0.58MM.	3198	036	90010
9994	Wire Jumper, 0.58MM.	3198	036	90010
9996	Wire Jumper, 0.58MM.	3198	036	90010
9997	Wire Jumper, 0.58MM.	3198	036	90010
9998	Wire Jumper, 0.58MM.	3198	036	90010
CBA	Main Chassis Assembly.	3139	177	28161

3001	Res, 150 ohm, 5%, 1/10W, Metalized Gl			
	ass.	3198	021	51510
3002	Res, 220K, 5%, 1/10W, Metalized Glass	3198	021	52240
3003	Res, 150 ohm, 5%, 1/10W, Metalized Gl			
	ass.	3198	021	51510
3004	Res, 220K, 5%, 1/10W, Metalized Glass	3198	021	52240
3005	Res, 10K, 5%, 1/10W, Metalized Glass	3198	021	51030
3006	Res, 10K, 5%, 1/10W, Metalized Glass	3198	021	51030
3007	Res, 10K, 5%, 1/10W, Metalized Glass	3198	021	51030
3008	Res, 100 ohm, 5%, 1/10W, Glass . . .	3198	021	51010
3009	Res, 10K, 5%, 1/10W, Metalized Glass	3198	021	51030
3010	Res, 10K, 5%, 1/10W, Metalized Glass	3198	021	51030
3011	Res, 100 ohm, 5%, 1/10W, Glass . . .	3198	021	51010
3012	Res, 10K, 5%, 1/10W, Metalized Glass	3198	021	51030
3013	Res, 100K, 5%, 1/10W, Metalized Glass	3198	021	51040
3014	Res, 10K, 5%, 1/10W, Metalized Glass	3198	021	51030
3015	Res, 1K, 5%, 1/10W, Metalized Glass.	3198	021	51020
3016	Res, 47 ohm, 5%, 1/10W, Metalized Gla			
	ss.	3198	021	54790
3017	Res, 100K, 5%, 1/10W, Metalized Glass	3198	021	51040
6001	Zener Diode, 5.6 volt.	3198	010	25680
6002	Zener Diode, 5.6 volt.	3198	010	25680
6003	Zener Diode, 5.6 volt.	3198	010	25680
6004	Zener Diode, 5.6 volt.	3198	010	25680
6005	Diode, Signal, 1N4148.	3198	010	10010
7001	Transistor, NPN, BC547B.	3198	020	40030
7002	Transistor, NPN, BC847B.	3198	010	42030
7003	Transistor, NPN, BC847B.	3198	010	42030
7004	Transistor, NPN, BC847B.	3198	010	42030
9002	Wire Jumper, 0.58MM.	3198	036	90010
9003	Wire Jumper, 0.58MM.	3198	036	90010
9004	Wire Jumper, 0.58MM.	3198	036	90010

CRT Panel Parts (Part of Main Chassis)

CRT Panel Parts (Part of Main Chassis)				
S 0244	Connector, 5 Pin	2422	025	04853
S 0245	Connector, 6 Pin	2422	025	04854
S 0254	Socket, CRT, 9 Pin, N-Neck	2422	500	80076
2330	Cap, 100n, 10%, 250v, Metalized Polyp			
	ropylene	2222	368	90177
2340	Cap, 10u, 20%, 250v, Electrolytic. . .	2020	012	93495
2341	Cap, 3n3, 10%, 500v, Ceramic	3198	019	43320
2342	Cap, 560p, 5%, 50v, Ceramic.	3198	016	05610
2343	Cap, 3n3, 10%, 2000v, Ceramic.	2020	558	90529
2344	Cap, 100n, ±20%, 25v, Ceramic.	3198	023	21040
2345	Cap, 1n, 10%, 500v, Ceramic.	3198	019	41020
3331	Res, 100 ohm, 5%, 1/6W, Carbon Film.	3198	011	01010
3332	Res, 1K, 20%, 1/2W, Carbon Film. . .	3198	013	01020
3333	Res, 100 ohm, 5%, 1/6W, Carbon Film.	3198	011	01010
3334	Res, 1K, 20%, 1/2W, Carbon Film. . .	3198	013	01020
3335	Res, 100 ohm, 5%, 1/6W, Carbon Film.	3198	011	01010
3336	Res, 1K, 20%, 1/2W, Carbon Film. . .	3198	013	01020
S 3340	Res, 10 ohm, 5%, 1/2W, Metal Film. . .	2306	207	03109
S 3341	Res, 1 ohm, 5%, 1/3W, Metal Film. . .	2306	204	03108
S 3342	Res, 1 ohm, 5%, 1/3W, Metal Film. . .	2306	204	03108
3343	Res, 1K5, 20%, 1/2W, Metal Film. . .	3198	013	01520
3344	Res, 22 ohm, 5%, 1/6W, Carbon Film . .	3198	011	02290
S 3345	VDR, DC, 1mA, 50V, MAX, 115V	2322	593	13507
3346	Res, 22 ohm, 5%, 1/6W, Carbon Film . .	3198	011	02290
3347	Res, Zero ohm, "Chip" Jumper	3198	021	90020
3350	Res, Zero ohm, "Chip" Jumper	3198	021	90020
3353	Res, Zero ohm, "Chip" Jumper	3198	021	90020
5342	Coil, 15u.	2422	535	97331
6331	Diode, Signal, BAV21	3198	010	10070
6332	Diode, Signal, BAS316.	3198	010	10630
6333	Diode, Signal, BAV21	3198	010	10070
6335	Diode, Signal, BAV21	3198	010	10070
7330	IC, TDA6107Q/N2.	9352	576	50112
9311	Wire Jumper, 0.58MM.	3198	036	90010
9341	Wire Jumper, 0.58MM.	3198	036	90010
9342	Wire Jumper, 0.58MM.	3198	036	90010
9343	Wire Jumper, 0.58MM.	3198	036	90010

Jack Panel Parts - 313912729721

Jack Panel Parts - 313912729721				
CBA	Jack Panel Assembly.	3139	127	29721
0152	Cable, 5 Pin, 400mm.	3135	121	00031
1002	Connector, 3 Pin	2422	025	16601
1003	Socket, Cinch, 1 Pin	2422	026	04374
1004	Socket, Cinch, 1 Pin	2422	026	04912
1005	Connector, 6 Pin	2422	025	15776
1006	Connector, 9 Pin	2422	025	06354
1007	Connector, 5 Pin	2422	025	16759
1008	Connector, 5 Pin	2422	025	06353
1009	Socket, Click, 4 Pin	2422	015	18711
1010	Switch, Slide, 2P/2Pos, 6A	2422	127	00482
2001	Cap, 2u2, 20%, 50v, Electrolytic . . .	3198	028	52280
2002	Cap, 2u2, 20%, 50v, Electrolytic . . .	3198	028	52280
2003	Cap, 330p, 5%, 50v, Ceramic.	3198	016	03310
2004	Cap, 330p, 5%, 50v, Ceramic.	3198	016	03310
2005	Cap, 100n, 10%, 16v, Ceramic	3198	017	01040

Comb Filter Panel Parts - 313912729671

Comb Filter Panel Parts - 313912729671				
CBA	Comb Filter Panel Assembly	3139	127	29671
0150	Cable, 3 Pin, 400mm.	3135	121	00181
0162	Cable, 7 Pin, 220mm.	3135	121	00131
1000	Connector, 4 Pin	2422	025	12479
1102	Crystal, Resonator, 32KHz768	2422	543	00056
1215	Connector, 3 Pin	2422	025	16383
1229	Connector, 7 Pin	2422	025	17209
1237	Connector, 4 Pin	2422	025	15847
1242	Connector, 3 Pin	2412	020	00725
1254	Connector, 3 Pin	2422	025	16936
2000	Cap, 100u, 20%, 10v, Electrolytic. . .	3198	025	11010
2001	Cap, 100n, +80/-20%, 25v, Ceramic. . .	3198	023	21040
2002	Cap, 100n, +80/-20%, 25v, Ceramic. . .	3198	023	21040
2003	Cap, 100n, +80/-20%, 25v, Ceramic. . .	3198	023	21040
2004	Cap, 100n, +80/-20%, 25v, Ceramic. . .	3198	023	21040
2011	Cap, 100n, +80/-20%, 25v, Ceramic. . .	3198	023	21040
2012	Cap, 1u, +80/-20%, 16v, Ceramic. . . .	3198	017	21050
2013	Cap, 100p, 5%, 50v, Ceramic.	3198	016	01010
2014	Cap, 220n, +80/-20%, 25v, Ceramic. . .	3198	023	22240
2020	Cap, 47p, 5%, 50v, Ceramic	3198	016	04790
2021	Cap, 100n, +80/-20%, 25v, Ceramic. . .	3198	023	21040
2023	Cap, 100n, +80/-20%, 25v, Ceramic. . .	3198	023	21040
2025	Cap, 100n, +80/-20%, 25v, Ceramic. . .	3198	023	21040
2111	Cap, 47u, 20%, 25v, Electrolytic . . .	3198	025	34790
2113	Battery, Lithium, 3V, 35MAH.	2422	526	01254
2118	Cap, 100p, 5%, 50v, Ceramic.	3198	016	01010
2119	Cap, 100p, 5%, 50v, Ceramic.	3198	016	01010
2120	Cap, 22u, 20%, 16v, Electrolytic . . .	3198	028	22290
2122	Cap, 6p8, 7%, 50v, Ceramic	3198	016	06880
2123	Cap, 100n, 10%, 16v, Ceramic	3198	017	01040
2124	Cap, 470n, +80/-20%, 16v, Ceramic. . .	3198	017	24740
2125	Cap, 470n, +80/-20%, 16v, Ceramic. . .	3198	017	24740
2126	Cap, 470n, +80/-20%, 16v, Ceramic. . .	3198	017	24740
3012	Res, 220 ohm, 5%, 1/10W, Metalized Gl			
	ass.	3198	021	52210
3013	Res, 220 ohm, 5%, 1/10W, Metalized Gl			
	ass.	3198	021	52210
3020	Res, 4K7, 5%, 1/10W, Metalized Glass	3198	021	54720
3026	Res, 2M2, 5%, 1/10W, Metalized Glass	3198	021	52250
3027	Res, 4K7, 5%, 1/10W, Metalized Glass	3198	021	54720
3110	Res, 10K, 5%, 1/10W, Metalized Glass	3198	021	51030
3111	Res, 2K7, 5%, 1/10W, Metalized Glass	3198	021	52720
3116	Res, 100 ohm, 5%, 1/10W, Glass	3198	021	51010
3117	Res, 100 ohm, 5%, 1/10W, Glass	3198	021	51010
3120	Res, 100K, 5%, 1/10W, Metalized Glass	3198	021	51040
3121	Res, 47K, 5%, 1/10W, Metalized Glass	3198	021	54730
3122	Res, 1K5, 5%, 1/10W, Metalized Glass	3198	021	51520
3123	Res, 330 ohm, 5%, 1/10W, Metalized Gl			
	ass.	3198	021	53310
3124	Res, 560 ohm, 5%, 1/10W, Metalized Gl			
	ass.	3198	021	55610
3125	Res, 330 ohm, 5%, 1/10W, Metalized Gl			
	ass.	3198	021	53310
4001	Res, Zero ohm, "Chip" Jumper	3198	021	90020
5000	Coil, 10u.	3198	018	31090
5012	Coil, 15u.	2422	535	94296
5104	Coil, 6u8.	3198	018	26880

S = Safety Part Be sure to use exact replacement part.

PPC132C321 (continued)

6110	Diode, Signal, BAS316.	3198 010 10630	9001	Wire Jumper, 0.58MM.	3198 036 90010
7000	IC, SAA4961/V3/S1.	9352 609 51112	9002	Wire Jumper, 0.58MM.	3198 036 90010
7110	IC, MK41T56N-00.	9322 078 54682	9003	Wire Jumper, 0.58MM.	3198 036 90010
7111	IC, HEF4052BT.	9333 729 50653	9004	Wire Jumper, 0.58MM.	3198 036 90010
7112	Transistor, NPN, BC847B.	3198 010 42030	9005	Wire Jumper, 0.58MM.	3198 036 90010
7113	Transistor, PNP, BC857B.	3198 010 42150	9007	Wire Jumper, 0.58MM.	3198 036 90010
9001	Wire Jumper, 0.58MM.	3198 036 90010	9008	Wire Jumper, 0.58MM.	3198 036 90010
9002	Wire Jumper, 0.58MM.	3198 036 90010	9009	Wire Jumper, 0.58MM.	3198 036 90010
9003	Wire Jumper, 0.58MM.	3198 036 90010	9010	Wire Jumper, 0.58MM.	3198 036 90010
			9021	Wire Jumper, 0.58MM.	3198 036 90010

Interface Panel (ITV) Parts - 313913721461

	Interface Panel (ITV) Parts - 313913721461	
CBA	Interface Panel (ITV) Assembly . . .	3139 137 21461
0149	Cable, 9 Pin, 280mm.	3135 121 00071
0151	Cable, 3 Pin, 280mm.	3135 121 00011
0162	Cable, 7 Pin, 220mm.	3135 121 00051
0163	Cable, 10 Pin, 280mm.	3135 121 00061
0164	Cable, 3 Pin, 400mm.	3135 121 00161
0167	Cable, 4 Pin, 180mm.	3135 121 00081
0168	Cable, 6 Pin, 280mm.	3135 121 00041
0173	Cable, 5 Pin, 400mm.	3135 121 00031
0179	Cable, 4 Pin, 280mm.	3135 121 00201
0217	Connector, 4 Pin	2422 025 16385
0227	Connector, 6 Pin	2422 025 15849
0228	Connector, 3 Pin	2422 025 16407
0237	Connector, 4 Pin	2422 025 15847
0240	Connector, 7 Pin	2422 025 11244
0242	Connector, 10 Pin.	2422 025 12484
0259	Connector, 5 Pin	2422 025 15848
1002	Connector, 3 Pin	2422 025 16382
1259	Connector, 9 Pin.	2422 025 11243
1800	Connector, 32 Pin.	3135 010 03531
2703	Cap, 100u, 20%, 10v, Electrolytic. .	3198 025 11010
2705	Cap, 22p, 5%, 50v, Ceramic	3198 016 02290
2706	Cap, 4n7, 10%, 50v, Ceramic. . . .	3198 017 04720
2707	Cap, 4n7, 10%, 50v, Ceramic. . . .	3198 017 04720
2709	Cap, 100n, 10%, 16v, Ceramic	3198 017 01040
2710	Cap, 100n, 10%, 16v, Ceramic	3198 017 01040
2711	Cap, 100p, 5%, 50v, Ceramic. . . .	3198 016 01010
2712	Cap, 100p, 5%, 50v, Ceramic. . . .	3198 016 01010
2713	Cap, 100n, 10%, 16v, Ceramic	3198 017 01040
3703	Res, 75 ohm, 5%, 1/10W, Metalized Glass.	3198 021 57590
3707	Res, 10K, 5%, 1/10W, Metalized Glass	3198 021 51030
3708	Res, 47K, 5%, 1/10W, Metalized Glass	3198 021 54730
3710	Res, 47K, 5%, 1/10W, Metalized Glass	3198 021 54730
3715	Res, 100 ohm, 5%, 1/10W, Glass . . .	3198 021 51010
3716	Res, 10K, 5%, 1/10W, Metalized Glass	3198 021 51030
3717	Res, 10K, 5%, 1/10W, Metalized Glass	3198 021 51030
3718	Res, 10K, 5%, 1/10W, Metalized Glass	3198 021 51030
3719	Res, 4K7, 5%, 1/10W, Metalized Glass	3198 021 54720
3720	Res, 10K, 5%, 1/10W, Metalized Glass	3198 021 51030
3721	Res, 4K7, 5%, 1/10W, Metalized Glass	3198 021 54720
3722	Res, 10K, 5%, 1/10W, Metalized Glass	3198 021 51030
3723	Res, 33K, 5%, 1/10W, Metalized Glass	3198 021 53330
3724	Res, 33K, 5%, 1/10W, Metalized Glass	3198 021 53330
3725	Res, 68K, 5%, 1/10W, Metalized Glass	3198 021 56830
3726	Res, 10K, 5%, 1/10W, Metalized Glass	3198 021 51030
3727	Res, 4K7, 5%, 1/10W, Metalized Glass	3198 021 54720
3728	Res, 10K, 5%, 1/10W, Metalized Glass	3198 021 51030
3729	Res, 10K, 5%, 1/10W, Metalized Glass	3198 021 51030
3731	Res, 1K8, 5%, 1/10W, Metalized Glass	3198 021 51820
3733	Res, 47K, 5%, 1/10W, Metalized Glass	3198 021 54730
3734	Res, 47K, 5%, 1/10W, Metalized Glass	3198 021 54730
3735	Res, 75 ohm, 5%, 1/10W, Metalized Glass.	3198 021 57590
3736	Res, 75 ohm, 5%, 1/10W, Metalized Glass.	3198 021 57590
3740	Res, 220 ohm, 20%, 1/2W, Carbon Film	3198 013 02210
3741	Res, 1K, 5%, 1/10W, Metalized Glass.	3198 021 51020
3742	Res, 4K7, 5%, 1/10W, Metalized Glass	3198 021 54720
3743	Res, 100 ohm, 5%, 1/10W, Glass . . .	3198 021 51010
3744	Res, 100 ohm, 5%, 1/10W, Glass . . .	3198 021 51010
4004	Res, Zero ohm, "Chip" Jumper	3198 021 90020
4005	Res, Zero ohm, "Chip" Jumper	3198 021 90020
4006	Res, Zero ohm, "Chip" Jumper	3198 021 90020
4008	Res, Zero ohm, "Chip" Jumper	3198 021 90020
4009	Res, Zero ohm, "Chip" Jumper	3198 021 90020
4010	Res, Zero ohm, "Chip" Jumper	3198 021 90020
6703	Zener Diode, 5.1 volt.	3198 010 25180
6704	Zener Diode, 8.2 volt.	3198 020 58280
6706	Zener Diode, 8.2 volt.	3198 020 58280
7700	Transistor, NPN, BC847B.	3198 010 42030
7701	Transistor, NPN, BC847B.	3198 010 42030
7704	Transistor, PNP, BC857B.	3198 010 42150
7705	Transistor, PNP, BC857B.	3198 010 42150
7706	Transistor, NPN, BC847B.	3198 010 42030
7707	Transistor, NPN, BC847B.	3198 010 42030
7708	Transistor, NPN, BC847B.	3198 010 42030
7715	Transistor, NPN, BC847B.	3198 010 42030
7716	Transistor, NPN, BC847B.	3198 010 42030

S = Safety Part Be sure to use exact replacement part.

PPC136C327 - Manual no. 7629

Cabinet & Accessory Parts

	Cabinet & Accessory Parts			2205	Cap, 220n, +80/-20%, 25v, Ceramic . . .	3198	023	22240	
	CBA EPS(1B). Module, (ITV)	3139	137	22961	2208	Cap, 100n, +80/-20%, 25v, Ceramic . . .	3198	023	21040
S	AC01 AC Cord	3135	010	04323	2209	Cap, 10u, 20%, 50v, Electrolytic . . .	3198	025	51090
	AC02 AC Cord Relief (Not Shown)	3135	010	02841	2210	Cap, 1u, +80/-20%, 16v, Ceramic . . .	3198	017	21050
	AC03 Battery, 1.5V AA, 2-Pack, (Not Shown)	9299	000	10137	2211	Cap, 470n, +80/-20%, 16v, Ceramic . . .	3198	017	24740
	AC04 Cabinet, Back (ITV)	3135	014	06541	2213	Cap, 22n, 10%, 50v, Ceramic	3198	017	02230
	AC07 Chassis Tray	3139	124	31324	2214	Cap, 22n, 10%, 50v, Ceramic	3198	017	02230
	AC09 Clip, Anode Lead (3 Used) (Not Shown)	3135	014	04471	2215	Cap, 22n, 10%, 50v, Ceramic	3198	017	02230
S	AC10 CRT A90AKB50X07(V)	9322	186	37682	2216	Cap, 1000u, 20%, 16v, Electrolytic . . .	3198	026	21020
	AC11 Customer Control Panel	3139	124	26472	2217	Cap, 22n, 10%, 50v, Ceramic	3198	017	02230
	AC12 Coil, Degaussing	2422	549	43972	2219	Cap, 220n, +80/-20%, 25v, Ceramic . . .	3198	023	22240
	AC13 Holder Degaussing Coil (4 Used)	3135	013	01651	2220	Cap, 470n, 10%, 50v, Polyester	3198	014	04740
	AC16 Owner's Manual	3135	015	20912	2221	Cap, 22n, +80/-20%, 50v, Ceramic . . .	3198	017	22230
	AC20 Cabinet, Front Assembly - Model PPC13				2241	Cap, 1n5, 10%, 50v, Ceramic	3198	017	01520
	6C327	3121	237	52411	2242	Cap, 1u, +80/-20%, 16v, Ceramic	3198	017	21050
	AC20A Cabinet, Front	3135	127	50041	2243	Cap, 2n2, 10%, 50v, Ceramic	3198	017	02220
	AC20D Light Guide	3139	124	26461	2244	Cap, 100n, 10%, 63v, Metalized Polyes			
	AC20E Nameplate	3135	015	03571	2245	ter.	2222	370	75104
	AC20F Power Button	3139	124	26444	2247	Cap, 220n, +80/-20%, 16v, Ceramic . . .	3198	017	42240
	AC20J Speaker, 16R, 5W (2 Used)	2422	264	00401	2247	Cap, 1000u, 20%, 16v, Electrolytic . . .	3198	026	21020
	AC22 Spring	3139	121	26231	2248	Cap, 22n, 10%, 50v, Ceramic	3198	017	02230
	AC27 Bracket, Power Button	3135	121	20061	2249	Cap, 22n, 10%, 50v, Ceramic	3198	017	02230
	AC28 Card, Door (ITV)	3135	014	05211	2250	Cap, 2u2, 20%, 50v, Electrolytic	3198	025	52280
	AC29 Bracket, EPS Module, (Horiz)	3135	014	09221	2252	Cap, 1n, 5%, 50v, Ceramic	3198	016	01020
	CBA Audio Jack Panel (ITV) (Not Shown)	3135	124	00181	2253	Cap, 1n, 5%, 50v, Ceramic	3198	016	01020
REMOTE	Transmitter, Remote, RC2524 /01	3139	228	84651	2254	Res, Zero ohm, "Chip" Jumper	3198	021	90020

Main Chassis Assembly Parts

	Main Chassis Assembly Parts				2401	Cap, 2u2, 20%, 50v, Electrolytic	2020	021	90552
	1000 Tuner, V+U PLL	2422	542	90113	2402	Cap, 470p, 10%, 500v, Ceramic	3198	019	44710
	0040 Cover, Cinch	3139	124	25551	2403	Cap, 47u, 20%, 50v, Electrolytic	3198	025	54790
	0118 U-Cooling Plate	3139	121	26731	2404	Cap, 220u, 20%, 25v, Electrolytic	3198	025	32210
	0122 Heatsink, Line	3135	121	60041	2405	Cap, 1u, 20%, 50v, Electrolytic	3198	025	51080
	0123 Heatsink, Audio	3139	121	62501	2443	Cap, 47n, +80/-20%, 50v, Ceramic	3198	017	24730
	0124 Heatsink, SOPS	3139	121	62201	2444	Cap, 1u, 20%, 50v, Electrolytic	3198	025	51080
	0127 Socket, Fuse	2422	088	00271	2450	Cap, 47u, 20%, 160v, Electrolytic	2020	021	91139
	0129 NTC, Holder	3139	120	10151	2451	Cap, 15n, 10%, 50v, Polyester	3198	014	01530
	0136 IC-Spring	3104	301	22081	2452	Cap, 180p, 5%, 50v, Ceramic	3198	016	01810
	0137 Spring	3139	121	24581	2455	Cap, 47u, 20%, 25v, Electrolytic	3198	025	34790
	0138 IC-Spring	3104	301	22081	2456	Cap, 560n, 5%, 250v, Metalized Polypr			
	0139 Spring for Bracket	3122	121	24786	2458	opylene	2222	479	90025
	0140 Spring	3139	121	24581	2459	Cap, 2u2, 20%, 100v, Electrolytic	2020	021	91331
	0141 IC-Spring	3104	301	22081	2460	Cap, 680p, 10%, 500v, Ceramic	3198	019	46810
	0152 Cable, DIPMATE, 6 Pin 560mm	3139	121	08951	2463	Cap, 100p, 5%, 50v, Ceramic	3198	016	01010
	0153 Cable, 5 Pin, 560mm	3139	121	09041	2464	Cap, 390p, 10%, 2000v, Ceramic	2020	558	90482
	0157 Cable, 4 Pin, 280mm	3135	121	00122	2465	Cap, 2u2, 5%, 160v, Metalized Polypro			
	0211 Connector, 2 Pin	2422	025	16269	2467	pylene	2222	479	90042
S	0212 Connector, 2 Pin	2422	025	16375	2468	Cap, 15n, 5%, 1600v, Polypropylene . . .	2020	301	90255
	0213 Connector, 2 Pin	2422	025	16374	2471	Cap, 15n, 10%, 400v, Polyester	2222	347	90219
	0215 Connector, 3 Pin	2422	025	16383	2472	Cap, 15n, 10%, 400v, Polyester	2222	365	75154
	0217 Connector, 6 Pin	2422	025	12482	2473	Cap, 100n, 10%, 63v, Polyester	2222	365	75104
	0218 Socket, Cinch, 3 Pin	2422	026	04742	2474	Cap, 2n2, 10%, 50v, Ceramic	3198	017	02220
S	0220 Connector, 5 Pin	2422	025	04853	2475	Cap, 2n2, 10%, 50v, Ceramic	3198	017	02220
S	0221 Connector, 4 Pin	2422	025	15503	2476	Cap, 4n7, 10%, 50v, Ceramic	3198	017	04720
S	0222 Connector, 2 Pin	2422	025	10646	2480	Cap, 47u, 20%, 25v, Electrolytic	2020	021	90586
	0227 Connector, 6 Pin	2422	025	15849	2481	Cap, 470p, 10%, 500v, Ceramic	3198	019	44710
	0229 Connector, 7 Pin	2422	025	17209	2482	Cap, 68n, 10%, 250v, Polyester	2222	347	90234
	0240 Connector, 7 Pin	2422	025	11244	2485	Cap, 4u7, 20%, 250v, Electrolytic	2020	021	90856
	0242 Connector, 7 Pin	2422	025	17042	2486	Cap, 470u, 20%, 16v, Electrolytic	2020	021	91577
S	0243 Connector, 6 Pin	2422	025	04854	2487	Cap, 47u, 20%, 50v, Electrolytic	2020	021	90854
	0246 Connector, 5 Pin	2422	025	12481	2488	Cap, 1000u, 20%, 16v, Electrolytic	2020	021	91049
	0259 Connector, 5 Pin	2422	025	15848	2489	Cap, 470u, 20%, 16v, Electrolytic	2020	021	91577
	0262 Connector, 3 Pin	2422	025	16937	2491	Cap, 1n, 10%, 500v, Ceramic	3198	019	41020
	0267 Connector, 3 Pin	2412	020	00725	2500	Cap, 470n, 20%, 275v, Polypropylene . . .	2222	336	29148
	1002 SAW Filter, 45MHz75, OFWM1971M . . .	2422	549	44518	2501	Cap, 2n2, 10%, 1000v, Ceramic	3198	019	52220
	1200 Filter, Ceramic, 4MHz5	2422	549	40807	2502	Cap, 2n2, 10%, 1000v, Ceramic	3198	019	52220
S	1500 Fuse, 4A, 250V, IEC	2422	086	10869	2503	Cap, 470u, 20%, 200v, Electrolytic	2020	024	90626
S	1515 Relay, 12V, 5A G5PA-1	2422	132	07444	2505	Cap, 2n2, 10%, 1000v, Ceramic	3198	019	52220
	1600 Switch, Tactile	2422	128	02742	2507	Cap, 470p, 10%, 50v, Ceramic	3198	017	04710
	1601 Switch, Tactile	2422	128	02742	2508	Cap, 470p, 10%, 1000v, Ceramic	3198	019	64710
	1602 Switch, Tactile	2422	128	02742	S 2515	Cap, 1n5, 20%, v, Ceramic	2020	554	90128
	1603 Switch, Tactile	2422	128	02742	2520	Cap, 100n, 10%, 16v, Ceramic	3198	017	01040
	1606 Switch, Tactile	2422	128	02742	2521	Cap, 22u, 20%, 50v, Electrolytic	3198	025	52290
	1660 Crystal, 12MHz000	2422	543	01203	2522	Cap, 100n, 10%, 16v, Ceramic	3198	017	01040
	1831 Crystal, Resonator, 18MHz432, 12 Pin,				2523	Cap, 1n5, 10%, 2000v, Ceramic	2020	558	90489
	HC49/U A	2422	543	00842	2525	Cap, 470p, 10%, 50v, Ceramic	3198	017	04710
	2004 Cap, 47n, 10%, 16v, Ceramic	3198	017	34730	2527	Cap, 2n2, 10%, 50v, Ceramic	3198	017	02220
	2005 Cap, 10u, 20%, 50v, Electrolytic	3198	025	51090	2528	Cap, 1n, 10%, 50v, Ceramic	3198	017	01020
	2006 Cap, 470u, 20%, 16v, Electrolytic	3198	025	24710	2540	Cap, 10n, 10%, 50v, Ceramic	3198	017	01030
	2007 Cap, 100n, +80/-20%, 25v, Ceramic	3198	023	21040	2560	Cap, 680p, 10%, 1000v, Ceramic	3198	019	66810
	2008 Cap, 100u, 20%, 25v, Electrolytic	3198	025	31010	2561	Cap, 100u, 20%, 160v, Electrolytic	2020	021	91654
	2009 Cap, 22n, 10%, 50v, Ceramic	3198	017	02230	2562	Cap, 1n, 10%, 50v, Ceramic	3198	019	11020
	2135 Cap, 22p, 5%, 50v, Ceramic	3198	016	02290	2563	Cap, 100n, 10%, 50v, Polyester	3198	014	01040
	2136 Cap, 22p, 5%, 50v, Ceramic	3198	016	02290	2564	Cap, 2u2, 20%, 25v, Electrolytic	2020	021	91353
	2181 Cap, 22p, 5%, 50v, Ceramic	3198	016	02290	2567	Cap, 47u, 20%, 25v, Electrolytic	3198	025	34790
	2182 Cap, 330p, 10%, 50v, Ceramic	3198	017	03310	2580	Cap, 47u, 20%, 16v, Electrolytic	3198	028	24790
	2183 Cap, 330p, 10%, 50v, Ceramic	3198	017	03310	2581	Cap, 22u, 20%, 50v, Electrolytic	3198	025	52290
	2184 Res, Zero ohm, "Chip" Jumper	3198	021	90020	2601	Cap, 220n, +80/-20%, 25v, Ceramic	3198	023	22240
	2202 Cap, 100n, +80/-20%, 25v, Ceramic	3198	023	21040	2602	Cap, 100p, 5%, 50v, Ceramic	3198	016	01010
	2203 Cap, 100n, +80/-20%, 25v, Ceramic	3198	023	21040	2606	Cap, 1n, 10%, 50v, Ceramic	3198	017	01020
	2204 Cap, 100n, +80/-20%, 25v, Ceramic	3198	023	21040	2607	Cap, 33p, 5%, 50v, Ceramic	3198	016	03390
					2608	Cap, 1u, +80/-20%, 16v, Ceramic	3198	017	21050

S = Safety Part Be sure to use exact replacement part.

PPC136C327 (continued)

2609	Cap, 33p, 5%, 50v, Ceramic	3198 016 03390	3217	Res, 330K, 5%, 1/16W, Metalized Glass	3198 021 33340
2611	Cap, 1u, +80/-20%, 16v, Ceramic. . .	3198 017 21050	3218	Res, 82K, 5%, 1/16W, Metalized Glass	3198 021 38230
2612	Cap, 68p, 5%, 50v, Ceramic	3198 016 06890	3219	Res, 2K2, 5%, 1/16W, Metalized Glass	3198 021 32220
2613	Cap, 68p, 5%, 50v, Ceramic	3198 016 06890	3220	Res, 100 ohm, 5%, 1/6W, Carbon Film.	3198 011 01010
2615	Cap, 1n, 10%, 50v, Ceramic	3198 017 01020	3221	Res, 560 ohm, 5%, 1/6W, Carbon Film.	3198 011 05610
2616	Cap, 470n, +80/-20%, 16v, Ceramic. .	3198 017 24740	3222	Res, 100 ohm, 5%, 1/6W, Carbon Film.	3198 011 01010
2618	Cap, 1u, +80/-20%, 16v, Ceramic. . .	3198 017 21050	3223	Res, 100 ohm, 5%, 1/10W, Metalized Gl	
2619	Cap, 1u, +80/-20%, 16v, Ceramic. . .	3198 017 21050		ass.	3198 021 51010
2691	Cap, 220u, 20%, 25v, Electrolytic. . .	3198 025 32210	3226	Res, 560 ohm, 5%, 1/16W, Metalized Gl	
2801	Cap, 22u, 20%, 50v, Electrolytic . . .	3198 025 52290		ass.	3198 021 35610
2802	Cap, 220n, +80/-20%, 16v, Ceramic. .	3198 017 42240	3235	Res, 100 ohm, 5%, 1/6W, Carbon Film.	3198 011 01010
2803	Cap, 2u2, +80/-20%, 10v, Ceramic . . .	3198 017 22250	3241	Res, 22K, 5%, 1/16W, Metalized Glass	3198 021 32230
2804	Cap, 2u2, +80/-20%, 10v, Ceramic . . .	3198 017 22250	3242	Res, 12K, 5%, 1/10W, Metalized Glass	3198 021 51230
2805	Cap, 2u2, +80/-20%, 10v, Ceramic . . .	3198 017 22250	3244	Res, 820 ohm, 5%, 1/6W, Carbon Film.	3198 011 08210
2806	Cap, 2u2, +80/-20%, 10v, Ceramic . . .	3198 017 22250	3245	Res, 39K, 5%, 1/10W, Metalized Glass	3198 021 53930
2831	Cap, 1p, 25%, 50v, Ceramic	3198 016 01080	3246	Res, 10K, 5%, 1/10W, Metalized Glass	3198 021 51030
2832	Cap, 1p, 25%, 50v, Ceramic	3198 016 01080	3247	Res, 680K, 5%, 1/10W, Metalized Glass	3198 021 56840
2833	Cap, 47p, 5%, 50v, Ceramic	3198 016 04790	3248	Res, 33K, 5%, 1/10W, Metalized Glass	3198 021 53330
2834	Cap, 470p, 5%, 50v, Ceramic.	3198 016 04710	3249	Res, 820 ohm, 5%, 1/6W, Carbon Film.	3198 011 08210
2835	Cap, 220p, 5%, 50v, Ceramic.	3198 016 02210	3250	Res, 8K2, 5%, 1/6W, Carbon Film. . .	3198 011 08220
2836	Cap, 1n5, 10%, 50v, Ceramic.	3198 017 01520	3251	Res, 100 ohm, 5%, 1/6W, Carbon Film.	3198 011 01010
2837	Cap, 4u7, 20%, 50v, Electrolytic . . .	3198 025 54780	3256	Res, 1K, 5%, 1/10W, Metalized Glass.	3198 021 51020
2840	Cap, 100n, +80/-20%, 25v, Ceramic. . .	3198 023 21040	3257	Res, 10M, 5%, 1/10W, Metalized Glass	3198 021 51060
2841	Cap, 10u, 20%, 50v, Electrolytic . . .	3198 025 51090	3258	Res, 100K, 5%, 1/10W, Metalized Glass	3198 021 51040
2842	Cap, 100n, +80/-20%, 25v, Ceramic. . .	3198 023 21040	3259	Res, 470K, 5%, 1/10W, Metalized Glass	3198 021 54740
2843	Cap, 10u, 20%, 50v, Electrolytic . . .	3198 025 51090	3400	Res, 330 ohm, 5%, 1/6W, Carbon Film.	3198 011 03310
2844	Cap, 10u, 20%, 50v, Electrolytic . . .	3198 025 51090	3401	Res, 33K, 5%, 1/6W, Carbon Film. . .	3198 011 03330
2845	Cap, 100n, +80/-20%, 25v, Ceramic. . .	3198 023 21040	3403	Res, 100K, 5%, 1/6W, Carbon Film . .	3198 011 01040
2846	Cap, 100u, 20%, 25v, Electrolytic. . .	3198 025 31010	3404	Res, 1K, 5%, 1/6W, Carbon Film . . .	3198 011 01020
2849	Cap, 1n, 5%, 50v, Ceramic.	3198 016 01020	3405	Res, 4R7, 5%, 1/6W, Carbon Film. . .	3198 011 04780
2850	Cap, 1n, 5%, 50v, Ceramic.	3198 016 01020	3406	Res, 4R7, 5%, 1/6W, Carbon Film. . .	3198 011 04780
2851	Cap, 4u7, +80/-20%, 10v, Ceramic . . .	2020 552 96305	3408	Res, 100 ohm, 5%, 1/6W, Carbon Film.	3198 011 01010
2852	Cap, 1n, 5%, 50v, Ceramic.	3198 016 01020	3410	Res, 10K, 5%, 1/6W, Carbon Film. . .	3198 011 01030
2853	Cap, 4u7, +80/-20%, 10v, Ceramic . . .	2020 552 96305	3411	Res, 4R7, 5%, 1/3W, Metal Film . . .	2306 204 03478
2854	Cap, 1n, 5%, 50v, Ceramic.	3198 016 01020	3441	Res, 100 ohm, 5%, 1/10W, Metalized Gl	
2855	Cap, 33p, 5%, 50v, Ceramic	3198 016 03390		ass.	3198 021 51010
2856	Cap, 47p, 5%, 50v, Ceramic	3198 016 04790	3442	Res, Zero ohm, "Chip" Jumper	3198 021 90020
2857	Cap, 150p, 5%, 50v, Ceramic.	3198 016 01510	3443	Res, 1M, 5%, 1/10W, Metalized Glass.	3198 021 51050
2860	Cap, 180p, 5%, 50v, Ceramic.	3198 016 01810	3445	Res, 15K, 5%, 1/6W, Carbon Film. . .	3198 011 01530
2894	Cap, 220p, 5%, 50v, Ceramic.	3198 016 02210	3446	Res, 5K6, 5%, 1/6W, Carbon Film. . .	3198 011 05620
2895	Cap, 560p, 5%, 50v, Ceramic.	3198 016 05610	3447	Res, 180 ohm, 5%, 1/6W, Carbon Film.	3198 011 01810
2897	Cap, 390p, 5%, 50v, Ceramic.	3198 016 03910	3448	Res, 820 ohm, 5%, 1/6W, Carbon Film.	3198 011 08210
2898	Cap, 10n, 10%, 50v, Ceramic.	3198 017 01030	3449	Res, 68 ohm, 5%, 1/6W, Carbon Film .	3198 011 06890
2902	Cap, 1000u, 20%, 16v, Electrolytic . . .	3198 026 21020	3450	Res, 33 ohm, 5%, 1/6W, Carbon Film . .	3198 011 03390
2903	Cap, 1u, 20%, 50v, Electrolytic.	3198 025 51080	S 3451	Res, 8R2, 5%, 1/3W, Metal Film	2306 204 03828
2904	Cap, 470n, +80/-20%, 16v, Ceramic. . .	3198 017 24740	3452	Res, 5K6, 1%, 3/5W, Metal Film	2312 915 15602
2905	Cap, 1n, 10%, 50v, Ceramic	3198 017 01020	3453	Res, 1K, 5%, 1/6W, Carbon Film	3198 011 01020
2906	Cap, 470n, +80/-20%, 16v, Ceramic. . .	3198 017 24740	3454	Res, 2K, 1%, 3/5W, Metal Film	2312 915 12002
2907	Cap, 1n, 10%, 50v, Ceramic	3198 017 01020	3455	Res, 6R8, 5%, 1 1/3W, Metal Film . . .	3198 012 26880
2908	Cap, 10u, 20%, 50v, Electrolytic	3198 025 51090	3456	Res, Zero ohm, "Chip" Jumper	3198 021 90020
2910	Cap, 3n3, 10%, 50v, Ceramic.	3198 017 03320	3457	Res, Zero ohm, "Chip" Jumper	3198 021 90020
2911	Cap, 3n3, 10%, 50v, Ceramic.	3198 017 03320	3458	Res, 1K, 5%, 1/6W, Carbon Film	3198 011 01020
2950	Cap, 330p, 5%, 50v, Ceramic.	3198 016 03310	3459	Res, 15K, 5%, 1 1/3W, Metal Film	3198 012 21530
3000	Res, 100 ohm, 5%, 1/6W, Carbon Film.	3198 011 01010	3460	Res, 3K9, 5%, 1/6W, Carbon Film. . . .	3198 011 03920
3001	Res, 100 ohm, 5%, 1/6W, Carbon Film.	3198 011 01010	3463	Res, 33 ohm, 5%, 1/6W, Carbon Film . .	3198 011 03390
3002	Res, Zero ohm, "Chip" Jumper	3198 021 90020	3465	Res, 27K, 1%, 3/5W, Metal Film	2312 915 12703
3003	Res, 1K5, 5%, 1/16W, Metalized Glass	3198 021 31520	3468	Res, 180 ohm, 5%, 1/6W, Carbon Film.	3198 011 01810
3004	Res, 8K2, 5%, 1/16W, Metalized Glass	3198 021 38220	3469	Res, 3K3, 5%, 1/6W, Carbon Film. . . .	3198 011 03320
3005	Res, 100 ohm, 5%, 1/6W, Carbon Film.	3198 011 01010	3470	Res, 270K, 5%, 1/10W, Metalized Glass	2120 108 91725
3136	Res, 100 ohm, 5%, 1/6W, Carbon Film.	3198 011 01010	3471	Res, 3R3, 1%, 3/5W, Metal Film	2312 915 13308
3138	Res, 100 ohm, 5%, 1/6W, Carbon Film.	3198 011 01010	3472	Res, 3R3, 1%, 3/5W, Metal Film	2312 915 13308
3151	Res, 680 ohm, 5%, 1/16W, Metalized Gl		3473	Res, 5R6, 1%, 3/5W, Metal Film	2312 915 15608
	ass.	3198 021 36810	3474	Res, 2K2, 1%, 3/5W, Metal Film	2312 915 12202
3152	Res, 680 ohm, 5%, 1/16W, Metalized Gl		3475	Res, 2K2, 1%, 3/5W, Metal Film	2312 915 12202
	ass.	3198 021 36810	3477	Res, 150 ohm, 5%, 1/6W, Carbon Film.	3198 011 01510
3153	Res, 680 ohm, 5%, 1/16W, Metalized Gl		3478	Res, 150 ohm, 5%, 1/6W, Carbon Film.	3198 011 01510
	ass.	3198 021 36810	3479	Res, 2K7, 5%, 1/10W, Metalized Glass	3198 021 52720
3181	Res, 75 ohm, 5%, 1/6W, Carbon Film . .	3198 011 07590	3480	Res, 1R5, 5%, 1/4W, Carbon Film. . . .	2120 101 74158
3182	Res, 100 ohm, 5%, 1/6W, Carbon Film.	3198 011 01010	3481	Res, 12K, 1%, 3/5W, Metal Film	2312 915 11203
3183	Res, 150 ohm, 5%, 1/6W, Carbon Film.	3198 011 01510	3482	Res, 10K, 1%, 3/5W, Metal Film	2312 915 11003
3184	Res, 47K, 5%, 1/16W, Metalized Glass	3198 021 34730	3484	Res, 3K9, 5%, 1/6W, Carbon Film. . . .	3198 011 03920
3185	Res, 150 ohm, 5%, 1/6W, Carbon Film.	3198 011 01510	3486	Res, 33 ohm, 5%, 2 1/2W, Metal Film.	3198 012 33390
3186	Res, 47K, 5%, 1/16W, Metalized Glass	3198 021 34730	3488	Res, 4R7, 5%, 1/2W, Metal Film	2306 207 03478
3200	Res, 390 ohm, 5%, 1/6W, Carbon Film.	3198 011 03910	3490	Res, 8K2, 5%, 1/6W, Carbon Film. . . .	3198 011 08220
3201	Res, 100 ohm, 5%, 1/6W, Carbon Film.	3198 011 01010	3492	Res, 1K, 5%, 1/10W, Metalized Glass.	3198 021 51020
3202	Res, 100 ohm, 5%, 1/6W, Carbon Film.	3198 011 01010	3493	Res, 6R8, 5%, 1/3W, Metal Film	2306 204 03688
3203	Res, 100 ohm, 5%, 1/6W, Carbon Film.	3198 011 01010	3494	Res, 4R7, 5%, 1/2W, Metal Film	2306 207 03478
3204	Res, 22K, 5%, 1/6W, Carbon Film. . . .	3198 011 02230	3495	Res, 22K, 5%, 1/10W, Metalized Glass	3198 021 52230
3206	Res, 270K, 5%, 1/8W, Metalized Glass	2322 730 61274	3496	Res, 100K, 5%, 1/10W, Metalized Glass	3198 021 51040
3207	Res, 1K, 5%, 1/6W, Carbon Film	3198 011 01020	3497	Res, 100K, 5%, 1/10W, Metalized Glass	3198 021 51040
3208	Res, 220 ohm, 5%, 1/16W, Metalized Gl		3498	Res, 12K, 5%, 1/10W, Metalized Glass	3198 021 51230
	ass.	3198 021 32210	3499	Res, 10K, 5%, 1/10W, Metalized Glass	3198 021 51030
3209	Res, 68 ohm, 5%, 1/16W, Metalized Gla		S 3500	Res, 3M3, 5%, 1/2W, Metalized Glass.	2322 242 13335
	ss.	3198 021 36890	S 3501	Res, 3M3, 5%, 1/2W, Metalized Glass.	2322 242 13335
3212	Res, 470 ohm, 5%, 1/16W, Metalized Gl		S 3504	PTC, DC, 120V,P3020 B.	2120 661 00025
	ass.	3198 021 34710	S 3506	Res, 1M5, 5%, 1/2W, Metalized Glass.	2322 242 13155
3213	Res, 560 ohm, 5%, 1/6W, Carbon Film.	3198 011 05610	S 3507	Surge Protector.	2422 549 43073
3214	Res, 100 ohm, 5%, 1/10W, Metalized Gl		S 3508	Res, 220 ohm, 20%, 1/2W, Carbon Film	3198 013 02210
	ass.	3198 021 51010	S 3510	NTC, DC, B57237, 3W1, 4R7, 20% . . .	2122 612 00056
3215	Res, 560 ohm, 5%, 1/16W, Metalized Gl		3519	Res, 270 ohm, 5%, 1/6W, Carbon Film.	3198 011 02710
	ass.	3198 021 35610	3520	Res, 1K2, 5%, 1/10W, Metalized Glass	3198 021 51220
3216	Res, 470 ohm, 5%, 1/6W, Carbon Film.	3198 011 04710	3521	Res, 4R7, 5%, 1/6W, Carbon Film. . . .	3198 011 04780

S = Safety Part Be sure to use exact replacement part.

PPC136C327 (continued)

3522	Res, 330K, 1%, 1/8W, Metalized Glass	2322 734 63304	4402	Res, Zero ohm, "Chip" Jumper	3198 021 90020
S 3523	Res, 100 ohm, 5%, 1/3W, Metal Film	2306 204 03101	4430	Res, Zero ohm, "Chip" Jumper	3198 021 90020
3524	Res, 56K, 5%, 1/10W, Metalized Glass	3198 021 55630	4500	Res, Zero ohm, "Chip" Jumper	3198 021 90020
3525	Res, 1K, 5%, 1/10W, Metalized Glass.	3198 021 51020	4604	Res, 3K3, 5%, 1/10W, Metalized Glass	3198 021 53320
3526	Res, 0R1, 5%, 3/5W, Metal Film	3198 012 11070	4613	Res, Zero ohm, "Chip" Jumper	3198 021 90020
3527	Res, 0R33, 5%, 3/5W, Metal Film.	3198 012 13370	4614	Res, Zero ohm, "Chip" Jumper	3198 021 90020
3528	Res, Zero ohm, "Chip" Jumper	3198 021 90020	4615	Res, Zero ohm, "Chip" Jumper	3198 021 90020
3529	Res, 47K, 5%, 1/10W, Metalized Glass	3198 021 54730	4617	Res, Zero ohm, "Chip" Jumper	3198 021 90020
3530	Res, 10K, 5%, 1/10W, Metalized Glass	3198 021 51030	4619	Res, Zero ohm, "Chip" Jumper	3198 021 90020
3531	Res, 4K7, 5%, 1/10W, Metalized Glass	3198 021 54720	4622	Res, Zero ohm, "Chip" Jumper	3198 021 90020
S 3532	Res, 2K2, 5%, 1/3W, Metal Film	2306 204 03222	4623	Res, Zero ohm, "Chip" Jumper	3198 021 90020
3541	Res, 470 ohm, 5%, 1/10W, Metalized GL ass.	3198 021 54710	4691	Res, Zero ohm, "Chip" Jumper	3198 021 90020
3542	Res, 1K5, 5%, 1/10W, Metalized Glass	3198 021 51520	4692	Res, Zero ohm, "Chip" Jumper	3198 021 90020
3543	Res, 82K, 1%, 3/5W, Metal Film	2312 915 18203	4693	Res, Zero ohm, "Chip" Jumper	3198 021 90020
3544	Res, 4K7, 1%, 1/8W, Metalized Glass.	2322 734 64702	4696	Res, Zero ohm, "Chip" Jumper	3198 021 90020
3545	Res, 270K, 5%, 1/10W, Metalized Glass	2120 108 91725	4804	Res, Zero ohm, "Chip" Jumper	3198 021 90020
3548	Res, 15K, 5%, 1/10W, Metalized Glass	3198 021 51530	4811	Res, Zero ohm, "Chip" Jumper	3198 021 90020
3558	Res, 330 ohm, 5%, 1W, Metal Film	3198 012 13310	4831	Res, Zero ohm, "Chip" Jumper	3198 021 90020
3561	Res, 100 ohm, 5%, 1/6W, Carbon Film.	3198 011 01010	4833	Res, Zero ohm, "Chip" Jumper	3198 021 90020
3562	Res, 12K, 5%, 1/10W, Metalized Glass	3198 021 51230	4835	Res, Zero ohm, "Chip" Jumper	3198 021 90020
3563	Res, 5K6, 5%, 1/10W, Metalized Glass	3198 021 55620	4901	Res, Zero ohm, "Chip" Jumper	3198 021 90020
3564	Res, 0R1, 5%, 1/3W, Metal Film	3198 012 21070	4903	Res, Zero ohm, "Chip" Jumper	3198 021 90020
3567	Res, 1K8, 5%, 1/16W, Metalized Glass	3198 021 31820	4982	Res, Zero ohm, "Chip" Jumper	3198 021 90020
3580	Res, 47K, 5%, 1/10W, Metalized Glass	3198 021 54730	5001	Coil, 27u.	3198 018 22790
3594	Res, 330 ohm, 5%, 1/10W, Metalized GL ass.	3198 021 53310	5002	Coil, 820n	3198 018 18270
3595	Res, 220K, 5%, 1/10W, Metalized Glass	3198 021 52240	5201	Coil, 6u8.	3198 018 16880
3596	Res, 220K, 5%, 1/10W, Metalized Glass	3198 021 52240	5202	Wire Jumper, 0.58MM.	3198 036 90010
3601	Res, 8K2, 5%, 1/6W, Carbon Film.	3198 011 08220	5204	Fixed, Inductor, 100MHZ, 80 ohm.	3198 018 90020
3603	Res, 100 ohm, 5%, 1/6W, Carbon Film.	3198 011 01010	5205	Fixed, Inductor, 100MHZ, 80 ohm.	3198 018 90020
3604	Res, 100 ohm, 5%, 1/6W, Carbon Film.	3198 011 01010	5206	Fixed, Inductor, 100MHZ, 80 ohm.	3198 018 90020
3605	Res, 4K7, 5%, 1/16W, Metalized Glass	3198 021 34720	5241	Wire Jumper, 0.58MM.	3198 036 90010
3606	Res, 2K2, 5%, 1/6W, Carbon Film.	3198 011 02220	S 5445	Coil, 10u.	3198 018 11090
3607	Res, 2K2, 5%, 1/6W, Carbon Film.	3198 011 02220	S 5445	Coil, 1m	3198 018 71020
3608	Res, 100 ohm, 5%, 1/6W, Carbon Film.	3198 011 01010	5451	Transformer, PSL0T	3128 138 21421
3609	Res, 1K, 5%, 1/6W, Carbon Film	3198 011 01020	5452	Coil, 33u.	3198 018 73390
3610	Res, 8K2, 5%, 1/6W, Carbon Film.	3198 011 08220	5457	Fixed, Inductor, 100MHZ, 80 ohm.	3198 018 90020
3611	Res, 100 ohm, 5%, 1/16W, Metalized GL ass.	3198 021 31010	5461	Coil, Linear, DC12	3128 138 55881
3618	Res, 6K8, 5%, 1/6W, Carbon Film.	3198 011 06820	5463	Transformer, Signal Driver, SC10015-0 0 B.	2422 531 02465
3622	Res, 100 ohm, 5%, 1/10W, Metalized GL ass.	3198 021 51010	5471	Coil, Choke.	3128 138 37021
3623	Res, 4K7, 5%, 1/16W, Metalized Glass	3198 021 34720	5472	Coil, 4u7.	3198 018 74780
3624	Res, 100 ohm, 5%, 1/6W, Carbon Film.	3198 011 01010	5480	Coil, 3u3.	3198 018 23380
3625	Res, 100 ohm, 5%, 1/6W, Carbon Film.	3198 011 01010	S 5501	Coil, 39u.	2422 535 97336
3626	Res, 4K7, 5%, 1/16W, Metalized Glass	3198 021 34720	S 5520	Filter, Mains, 5mH, 2A	2422 549 43432
3627	Res, 4K7, 5%, 1/16W, Metalized Glass	3198 021 34720	S 5520	Transformer, Layer, SS39009-04 B	2422 531 02459
3628	Res, 10K, 5%, 1/16W, Metalized Glass	3198 021 31030	5521	Fixed, Inductor, 100MHZ, 50R.	3198 018 90010
3630	Res, 2K2, 5%, 1/16W, Metalized Glass	3198 021 32220	5560	Fixed, Inductor, 100MHZ, 50R.	3198 018 90010
3632	Res, Zero ohm, "Chip" Jumper	3198 021 90020	5561	Coil, 27u.	3198 018 22790
3636	Res, 100 ohm, 5%, 1/10W, Metalized GL ass.	3198 021 51010	5562	Fixed, Inductor, 100MHZ, 50R.	3198 018 90010
3639	Res, Zero ohm, "Chip" Jumper	3198 021 90020	5564	Fixed, Inductor, 100MHZ, 50R.	3198 018 90010
3681	Res, 390 ohm, 5%, 1/16W, Metalized GL ass.	3198 021 33910	5602	Coil, 5u6.	3198 018 15680
3682	Res, 3K3, 5%, 1/16W, Metalized Glass	3198 021 33320	5603	Coil, 5u6.	3198 018 15680
3683	Res, 390 ohm, 5%, 1/16W, Metalized GL ass.	3198 021 33910	5604	Coil, 5u6.	3198 018 15680
3684	Res, 560 ohm, 5%, 1/16W, Metalized GL ass.	3198 021 35610	5831	Coil, 6u8.	3198 018 16880
3685	Res, 560 ohm, 5%, 1/16W, Metalized GL ass.	3198 021 35610	5832	Coil, 6u8.	3198 018 16880
3686	Res, 1K5, 5%, 1/16W, Metalized Glass	3198 021 31520	5833	Coil, 6u8.	3198 018 16880
3691	Res, 330 ohm, 5%, 1/16W, Metalized GL ass.	3198 021 33310	5835	Coil, 12u.	3198 018 31290
3693	Res, 220 ohm, 5%, 1/16W, Metalized GL ass.	3198 021 32210	6001	Zener Diode, 33 volt	3198 010 23390
3801	Res, 220 ohm, 5%, 1/6W, Carbon Film.	3198 011 02210	6201	Diode, Signal, BAS316.	3198 010 10630
3802	Res, 1K, 5%, 1/6W, Carbon Film	3198 011 01020	6202	Diode, Signal, BAS316.	3198 010 10630
3831	Res, 47K, 5%, 1/16W, Metalized Glass	3198 021 34730	6206	Zener Diode, 6.8 volt.	3198 020 56880
3832	Res, 100 ohm, 5%, 1/6W, Carbon Film.	3198 011 01010	6400	Res, 1K, 1%, 3/5W, Metal Film.	2312 915 11002
3833	Res, 100 ohm, 5%, 1/6W, Carbon Film.	3198 011 01010	6401	Zener Diode, 47 volt	3198 010 24790
3836	Res, 1K, 5%, 1/16W, Metalized Glass.	3198 021 31020	6445	Zener Diode, 10 volt	3198 020 51090
3837	Res, 100 ohm, 5%, 1/6W, Carbon Film.	3198 011 01010	6447	Diode, Signal, 1N4148.	3198 010 10010
3838	Res, 1K, 5%, 1/16W, Metalized Glass.	3198 021 31020	6448	Zener Diode, 6.2 volt.	9331 668 30133
3839	Res, 100 ohm, 5%, 1/6W, Carbon Film.	3198 011 01010	6449	Diode, Signal, BAV99	3198 010 10620
3843	Res, 2K2, 5%, 1/16W, Metalized Glass	3198 021 32220	6453	Zener Diode, 6.8 volt.	3198 020 56880
3901	Res, 1K, 5%, 1/16W, Metalized Glass.	3198 021 31020	6460	Diode, Rect, DG3-7005L.	9336 436 10682
3902	Res, 3K3, 5%, 1/16W, Metalized Glass	3198 021 33320	6461	Diode, Rect, RGP30J-L7004	9338 617 60682
3903	Res, 3K3, 5%, 1/16W, Metalized Glass	3198 021 33320	6462	Zener Diode, 9.1 volt.	9331 177 80133
3904	Res, 10K, 5%, 1/16W, Metalized Glass	3198 021 31030	6465	Diode, Signal, BAV21	3198 010 10070
3905	Res, 3K3, 5%, 1/16W, Metalized Glass	3198 021 33320	6466	Diode, Signal, BAV21	3198 010 10070
3906	Res, 10K, 5%, 1/16W, Metalized Glass	3198 021 31030	6467	Diode, Signal, BAS316.	3198 010 10630
3907	Res, 8K2, 5%, 1/16W, Metalized Glass	3198 021 38220	6468	Diode, Signal, BAS316.	3198 010 10630
4001	Res, Zero ohm, "Chip" Jumper	3198 021 90020	6469	Diode, Rect, BYD33J	9337 234 20133
4002	Res, Zero ohm, "Chip" Jumper	3198 021 90020	6470	Diode, Signal, BAV99	3198 010 10620
4181	Res, Zero ohm, "Chip" Jumper	3198 021 90020	6476	Zener Diode, 15 volt	3198 010 21590
4209	Res, Zero ohm, "Chip" Jumper	3198 021 90020	6481	Zener Diode, 5.6 volt.	3198 010 25680
4216	Res, Zero ohm, "Chip" Jumper	3198 021 90020	6482	Zener Diode, 9.1 volt.	9331 177 80133
4217	Res, Zero ohm, "Chip" Jumper	3198 021 90020	6483	Zener Diode, 33 volt	3198 010 23390
4401	Res, Zero ohm, "Chip" Jumper	3198 021 90020	6485	Diode, Rect, BYD33J	9337 234 20133
			6486	Diode, Rect, EGP20DL-5100	9322 164 42682
			6487	Diode, Rect, BYD33D	9337 234 00133
			6488	Diode, Rect, EGP20DL-5100	9322 164 42682
			6500	Diode, Bridge Rect, GBU4JL-7002	9322 132 135667
			6520	Diode, Rect, BYD33D	9337 234 00133
			6523	Diode, Signal, 1N4148.	3198 010 10010
			6524	Diode, Rect, 1N5062	3198 010 10120
			6525	Diode, Rect, 1N5062	3198 010 10120
			6526	Zener Diode, 22 volt	3198 020 52290
			6540	Zener Diode, 6.2 volt.	9331 668 30133

S = Safety Part Be sure to use exact replacement part.

PPC136C327 (continued)

6541	Zener Diode, 10 volt	3198 020 51090	9521	Wire Jumper, 0.58MM.	3198 036 90010
6560	Diode, Rect, BYV29X-500	9340 555 59127	9522	Wire Jumper, 0.58MM.	3198 036 90010
6561	Diode, Rect, SB340L-7010.	9322 128 18682	9524	Wire Jumper, 0.58MM.	3198 036 90010
6563	Diode, Signal, BAS316.	3198 010 10630	9525	Wire Jumper, 0.58MM.	3198 036 90010
6565	Diode, Signal, BAV70	9331 849 10215	9528	Wire Jumper, 0.58MM.	3198 036 90010
6580	Diode, Signal, BAS316.	3198 010 10630	9610	Wire Jumper, 0.58MM.	3198 036 90010
6681	Diode, Signal, BAT85	9336 247 60133	9611	Coil, 27u.	3198 018 22790
6691	LED, LTL-10224WHCR.	9322 050 99682	9612	Wire Jumper, 0.58MM.	3198 036 90010
6692	IR Receiver, TSOP1836UH3V	9322 127 54667	9613	Wire Jumper, 0.58MM.	3198 036 90010
6831	Diode, Signal, 1N4148.	3198 010 10010	9614	Wire Jumper, 0.58MM.	3198 036 90010
6901	Res, Zero ohm, "Chip" Jumper	3198 021 90020	9615	Wire Jumper, 0.58MM.	3198 036 90010
7200	IC, TDA9563H/N1/4.	9352 693 25557	9616	Wire Jumper, 0.58MM.	3198 036 90010
7201	Transistor, NPN, BC847B.	3198 010 42030	9617	Wire Jumper, 0.58MM.	3198 036 90010
7204	Transistor, PNP, BC857B.	3198 010 42150	9618	Wire Jumper, 0.58MM.	3198 036 90010
7205	Transistor, PNP, BC857B.	3198 010 42150	9619	Wire Jumper, 0.58MM.	3198 036 90010
7208	Transistor, PNP, BC857B.	3198 010 42150	9620	Wire Jumper, 0.58MM.	3198 036 90010
7400	FET Power, STP3NC60FP.	9322 157 37687	9621	Wire Jumper, 0.58MM.	3198 036 90010
7441	Transistor, PNP, BC857B.	3198 010 42150	9622	Wire Jumper, 0.58MM.	3198 036 90010
7443	Transistor, PNP, BC557B.	3198 020 40110	9623	Wire Jumper, 0.58MM.	3198 036 90010
7450	Transistor, PNP, PDTA114ET	3198 010 44010	9624	Wire Jumper, 0.58MM.	3198 036 90010
7460	Transistor, NPN, BU4508DX.	9340 550 92127	9625	Wire Jumper, 0.58MM.	3198 036 90010
7461	Transistor, NPN, BC337-25.	3198 020 43530	9626	Wire Jumper, 0.58MM.	3198 036 90010
7462	Transistor, NPN, PDTC143ZT	9340 547 00215	9627	Wire Jumper, 0.58MM.	3198 036 90010
7463	Transistor, PNP, BC327-25.	3198 020 43430	9628	Wire Jumper, 0.58MM.	3198 036 90010
7471	IC, TDA8359J/N2.	9352 701 64112	9629	Wire Jumper, 0.58MM.	3198 036 90010
7480	Transistor, NPN, BD135	3198 020 41010	9630	Wire Jumper, 0.58MM.	3198 036 90010
7482	Transistor, NPN, BD135	3198 020 41010	9631	Wire Jumper, 0.58MM.	3198 036 90010
S 7515	Optic, Coupler, TCET1104(G).	9322 175 72667	9632	Wire Jumper, 0.58MM.	3198 036 90010
7520	IC, TEA1507P/NL.	9352 673 56112	9633	Wire Jumper, 0.58MM.	3198 036 90010
7521	FET Power, STP8NC50FP.	9322 160 72687	9634	Wire Jumper, 0.58MM.	3198 036 90010
7522	Transistor, NPN, BC847B.	3198 010 42030	9637	Wire Jumper, 0.58MM.	3198 036 90010
7540	Transistor, NPN, BC547B.	3198 020 40030	9638	Wire Jumper, 0.58MM.	3198 036 90010
7560	IC, L78L33ACZ.	9322 134 92676	9639	Wire Jumper, 0.58MM.	3198 036 90010
7561	Transistor, NPN, PDTC143ZT	9340 547 00215	9640	Wire Jumper, 0.58MM.	3198 036 90010
7580	Transistor, PNP, BC857B.	3198 010 42150	9641	Wire Jumper, 0.58MM.	3198 036 90010
7602	IC, M24C16-WB6.	9322 147 25682	9642	Wire Jumper, 0.58MM.	3198 036 90010
7606	Transistor, NPN, PDTC143ZT	9340 547 00215	9643	Wire Jumper, 0.58MM.	3198 036 90010
7801	IC, HEF4052BT.	9333 729 50653	9644	Wire Jumper, 0.58MM.	3198 036 90010
7831	IC, MSP3445G-PO-B8	9322 160 81682	9645	Wire Jumper, 0.58MM.	3198 036 90010
7901	IC, AN7522N.	9322 181 41682	9646	Wire Jumper, 0.58MM.	3198 036 90010
9001	Wire Jumper, 0.58MM.	3198 036 90010	9648	Wire Jumper, 0.58MM.	3198 036 90010
9111	Wire Jumper, 0.58MM.	3198 036 90010	9650	Wire Jumper, 0.58MM.	3198 036 90010
9112	Wire Jumper, 0.58MM.	3198 036 90010	9654	Wire Jumper, 0.58MM.	3198 036 90010
9113	Wire Jumper, 0.58MM.	3198 036 90010	9655	Wire Jumper, 0.58MM.	3198 036 90010
9171	Wire Jumper, 0.58MM.	3198 036 90010	9656	Wire Jumper, 0.58MM.	3198 036 90010
9172	Wire Jumper, 0.58MM.	3198 036 90010	9657	Wire Jumper, 0.58MM.	3198 036 90010
9173	Wire Jumper, 0.58MM.	3198 036 90010	9658	Wire Jumper, 0.58MM.	3198 036 90010
9175	Wire Jumper, 0.58MM.	3198 036 90010	9659	Wire Jumper, 0.58MM.	3198 036 90010
9176	Wire Jumper, 0.58MM.	3198 036 90010	9660	Wire Jumper, 0.58MM.	3198 036 90010
9178	Wire Jumper, 0.58MM.	3198 036 90010	9661	Wire Jumper, 0.58MM.	3198 036 90010
9179	Wire Jumper, 0.58MM.	3198 036 90010	9662	Wire Jumper, 0.58MM.	3198 036 90010
9182	Wire Jumper, 0.58MM.	3198 036 90010	9663	Wire Jumper, 0.58MM.	3198 036 90010
9183	Wire Jumper, 0.58MM.	3198 036 90010	9664	Wire Jumper, 0.58MM.	3198 036 90010
9192	Wire Jumper, 0.58MM.	3198 036 90010	9665	Wire Jumper, 0.58MM.	3198 036 90010
9193	Wire Jumper, 0.58MM.	3198 036 90010	9666	Wire Jumper, 0.58MM.	3198 036 90010
9406	Wire Jumper, 0.58MM.	3198 036 90010	9668	Wire Jumper, 0.58MM.	3198 036 90010
9407	Wire Jumper, 0.58MM.	3198 036 90010	9669	Wire Jumper, 0.58MM.	3198 036 90010
9408	Wire Jumper, 0.58MM.	3198 036 90010	9670	Wire Jumper, 0.58MM.	3198 036 90010
9409	Wire Jumper, 0.58MM.	3198 036 90010	9672	Coil, 27u.	2422 535 95366
9410	Wire Jumper, 0.58MM.	3198 036 90010	9674	Wire Jumper, 0.58MM.	3198 036 90010
9411	Wire Jumper, 0.58MM.	3198 036 90010	9675	Wire Jumper, 0.58MM.	3198 036 90010
9412	Wire Jumper, 0.58MM.	3198 036 90010	9676	Wire Jumper, 0.58MM.	3198 036 90010
9413	Wire Jumper, 0.58MM.	3198 036 90010	9678	Coil, 27u.	2422 535 95366
9414	Wire Jumper, 0.58MM.	3198 036 90010	9679	Wire Jumper, 0.58MM.	3198 036 90010
9415	Wire Jumper, 0.58MM.	3198 036 90010	9680	Wire Jumper, 0.58MM.	3198 036 90010
9416	Wire Jumper, 0.58MM.	3198 036 90010	9683	Wire Jumper, 0.58MM.	3198 036 90010
9417	Wire Jumper, 0.58MM.	3198 036 90010	9685	Wire Jumper, 0.58MM.	3198 036 90010
9418	Wire Jumper, 0.58MM.	3198 036 90010	9686	Wire Jumper, 0.58MM.	3198 036 90010
9419	Wire Jumper, 0.58MM.	3198 036 90010	9687	Wire Jumper, 0.58MM.	3198 036 90010
9421	Wire Jumper, 0.58MM.	3198 036 90010	9688	Wire Jumper, 0.58MM.	3198 036 90010
9422	Wire Jumper, 0.58MM.	3198 036 90010	9689	Wire Jumper, 0.58MM.	3198 036 90010
9423	Wire Jumper, 0.58MM.	3198 036 90010	9690	Wire Jumper, 0.58MM.	3198 036 90010
9424	Wire Jumper, 0.58MM.	3198 036 90010	9691	Wire Jumper, 0.58MM.	3198 036 90010
9425	Wire Jumper, 0.58MM.	3198 036 90010	9694	Wire Jumper, 0.58MM.	3198 036 90010
9426	Wire Jumper, 0.58MM.	3198 036 90010	9695	Wire Jumper, 0.58MM.	3198 036 90010
9427	Wire Jumper, 0.58MM.	3198 036 90010	9697	Wire Jumper, 0.58MM.	3198 036 90010
9453	Wire Jumper, 0.58MM.	3198 036 90010	9698	Wire Jumper, 0.58MM.	3198 036 90010
9460	Wire Jumper, 0.58MM.	3198 036 90010	9699	Wire Jumper, 0.58MM.	3198 036 90010
9463	Wire Jumper, 0.58MM.	3198 036 90010	9821	Wire Jumper, 0.58MM.	3198 036 90010
9500	Wire Jumper, 0.58MM.	3198 036 90010	9822	Wire Jumper, 0.58MM.	3198 036 90010
9501	Wire Jumper, 0.58MM.	3198 036 90010	9823	Wire Jumper, 0.58MM.	3198 036 90010
9503	Wire Jumper, 0.58MM.	3198 036 90010	9824	Wire Jumper, 0.58MM.	3198 036 90010
9506	Wire Jumper, 0.58MM.	3198 036 90010	9825	Wire Jumper, 0.58MM.	3198 036 90010
9507	Wire Jumper, 0.58MM.	3198 036 90010	9827	Wire Jumper, 0.58MM.	3198 036 90010
9510	Wire Jumper, 0.58MM.	3198 036 90010	9828	Wire Jumper, 0.58MM.	3198 036 90010
9512	Wire Jumper, 0.58MM.	3198 036 90010	9829	Wire Jumper, 0.58MM.	3198 036 90010
9513	Wire Jumper, 0.58MM.	3198 036 90010	9830	Wire Jumper, 0.58MM.	3198 036 90010
9514	Wire Jumper, 0.58MM.	3198 036 90010	9831	Wire Jumper, 0.58MM.	3198 036 90010
9515	Wire Jumper, 0.58MM.	3198 036 90010	9832	Wire Jumper, 0.58MM.	3198 036 90010
9516	Wire Jumper, 0.58MM.	3198 036 90010	9833	Wire Jumper, 0.58MM.	3198 036 90010
9518	Wire Jumper, 0.58MM.	3198 036 90010	9834	Wire Jumper, 0.58MM.	3198 036 90010
9520	Wire Jumper, 0.58MM.	3198 036 90010	9835	Wire Jumper, 0.58MM.	3198 036 90010

S = Safety Part. Be sure to use exact replacement part.

PPC136C327 (continued)

9836	Wire Jumper, 0.58MM.	3198 036 90010	2003	Cap, 330p, 5%, 50v, Ceramic.	3198 016 03310
9837	Wire Jumper, 0.58MM.	3198 036 90010	2004	Cap, 330p, 5%, 50v, Ceramic.	3198 016 03310
9838	Wire Jumper, 0.58MM.	3198 036 90010	2005	Cap, 100n, 10%, 16v, Ceramic	3198 017 01040
9839	Wire Jumper, 0.58MM.	3198 036 90010	3001	Res, 150 ohm, 5%, 1/10W, Metalized Gl	
9840	Wire Jumper, 0.58MM.	3198 036 90010		ass.	3198 021 51510
9841	Wire Jumper, 0.58MM.	3198 036 90010	3002	Res, 220K, 5%, 1/10W, Metalized Glass	3198 021 52240
9842	Wire Jumper, 0.58MM.	3198 036 90010	3003	Res, 150 ohm, 5%, 1/10W, Metalized Gl	
9843	Wire Jumper, 0.58MM.	3198 036 90010		ass.	3198 021 51510
9844	Wire Jumper, 0.58MM.	3198 036 90010	3004	Res, 220K, 5%, 1/10W, Metalized Glass	3198 021 52240
9845	Wire Jumper, 0.58MM.	3198 036 90010	3005	Res, 10K, 5%, 1/10W, Metalized Glass	3198 021 51030
9846	Wire Jumper, 0.58MM.	3198 036 90010	3006	Res, 10K, 5%, 1/10W, Metalized Glass	3198 021 51030
9847	Wire Jumper, 0.58MM.	3198 036 90010	3007	Res, 10K, 5%, 1/10W, Metalized Glass	3198 021 51030
9849	Wire Jumper, 0.58MM.	3198 036 90010	3008	Res, 100 ohm, 5%, 1/10W, Glass	3198 021 51010
9851	Wire Jumper, 0.58MM.	3198 036 90010	3009	Res, 10K, 5%, 1/10W, Metalized Glass	3198 021 51030
9901	Wire Jumper, 0.58MM.	3198 036 90010	3010	Res, 10K, 5%, 1/10W, Metalized Glass	3198 021 51030
9902	Wire Jumper, 0.58MM.	3198 036 90010	3011	Res, 100 ohm, 5%, 1/10W, Glass	3198 021 51010
9903	Wire Jumper, 0.58MM.	3198 036 90010	3012	Res, 10K, 5%, 1/10W, Metalized Glass	3198 021 51030
9904	Wire Jumper, 0.58MM.	3198 036 90010	3013	Res, 100K, 5%, 1/10W, Metalized Glass	3198 021 51040
9905	Wire Jumper, 0.58MM.	3198 036 90010	3014	Res, 10K, 5%, 1/10W, Metalized Glass	3198 021 51030
9911	Wire Jumper, 0.58MM.	3198 036 90010	3015	Res, 1K, 5%, 1/10W, Metalized Glass.	3198 021 51020
9912	Wire Jumper, 0.58MM.	3198 036 90010	3016	Res, 47 ohm, 5%, 1/10W, Metalized Gla	
9913	Wire Jumper, 0.58MM.	3198 036 90010		ss.	3198 021 54790
9914	Wire Jumper, 0.58MM.	3198 036 90010	3017	Res, 100K, 5%, 1/10W, Metalized Glass	3198 021 51040
9915	Wire Jumper, 0.58MM.	3198 036 90010	6001	Zener Diode, 5.6 volt.	3198 010 25680
9916	Wire Jumper, 0.58MM.	3198 036 90010	6002	Zener Diode, 5.6 volt.	3198 010 25680
9918	Wire Jumper, 0.58MM.	3198 036 90010	6003	Zener Diode, 5.6 volt.	3198 010 25680
9919	Wire Jumper, 0.58MM.	3198 036 90010	6004	Zener Diode, 5.6 volt.	3198 010 25680
9920	Wire Jumper, 0.58MM.	3198 036 90010	6005	Diode, Signal, 1N4148.	3198 010 10010
9921	Wire Jumper, 0.58MM.	3198 036 90010	7001	Transistor, NPN, BC547B.	3198 020 40030
9991	Wire Jumper, 0.58MM.	3198 036 90010	7002	Transistor, NPN, BC847B.	3198 010 42030
9993	Wire Jumper, 0.58MM.	3198 036 90010	7003	Transistor, NPN, BC847B.	3198 010 42030
9994	Wire Jumper, 0.58MM.	3198 036 90010	7004	Transistor, NPN, BC847B.	3198 010 42030
9996	Wire Jumper, 0.58MM.	3198 036 90010	9002	Wire Jumper, 0.58MM.	3198 036 90010
9997	Wire Jumper, 0.58MM.	3198 036 90010	9003	Wire Jumper, 0.58MM.	3198 036 90010
9998	Wire Jumper, 0.58MM.	3198 036 90010	9004	Wire Jumper, 0.58MM.	3198 036 90010
CBA	Main Chassis Assembly.	3139 187 16621			

CRT Panel Parts (Part of Main Chassis)

S 0244	Connector, 5 Pin	2422 025 04853
S 0245	Connector, 6 Pin	2422 025 04854
S 0254	Socket, CRT, 10 Pin.	2422 500 80079
2330	Cap, 100n, 10%, 250v, Metalized Polyp ropylene	2222 368 90177
2340	Cap, 10u, 20%, 250v, Electrolytic. . . .	2020 012 93495
2341	Cap, 3n3, 10%, 500v, Ceramic	3198 019 43320
2342	Cap, 560p, 5%, 50v, Ceramic.	3198 016 05610
2343	Cap, 3n3, 10%, 2000v, Ceramic.	2020 558 90529
2344	Cap, 100n, ?20%, 25v, Ceramic.	3198 023 21040
2345	Cap, 1n, 10%, 500v, Ceramic.	3198 019 41020
3331	Res, 100 ohm, 5%, 1/6W, Carbon Film. . .	3198 011 01010
3332	Res, 1K, 20%, 1/2W, Carbon Film. . . .	3198 013 01020
3333	Res, 100 ohm, 5%, 1/6W, Carbon Film. . .	3198 011 01010
3334	Res, 1K, 20%, 1/2W, Carbon Film. . . .	3198 013 01020
3335	Res, 100 ohm, 5%, 1/6W, Carbon Film. . .	3198 011 01010
3336	Res, 1K, 20%, 1/2W, Carbon Film. . . .	3198 013 01020
S 3340	Res, 10 ohm, 5%, 1/2W, Metal Film. . . .	2306 207 03109
S 3341	Res, 1 ohm, 5%, 1/3W, Metal Film.	2306 204 03108
S 3342	Res, 1 ohm, 5%, 1/3W, Metal Film.	2306 204 03108
3343	Res, 1K5, 20%, 1/2W, Carbon Film. . . .	3198 013 01520
3344	Res, 22 ohm, 5%, 1/6W, Carbon Film. . . .	3198 011 02290
S 3345	VDR, DC, 1mA, 50V, MAX, 115V	2322 593 13507
3346	Res, 22 ohm, 5%, 1/6W, Carbon Film. . . .	3198 011 02290
3347	Res, Zero ohm, "Chip" Jumper	3198 021 90020
3350	Res, Zero ohm, "Chip" Jumper	3198 021 90020
3353	Res, Zero ohm, "Chip" Jumper	3198 021 90020
5342	Coil, 22u.	2422 535 97333
6331	Diode, Signal, BAV21	3198 010 10070
6332	Diode, Signal, BAS316.	3198 010 10630
6333	Diode, Signal, BAV21	3198 010 10070
6335	Diode, Signal, BAV21	3198 010 10070
7330	IC, TDA6107Q/N2.	9352 576 50112
9311	Wire Jumper, 0.58MM.	3198 036 90010
9341	Wire Jumper, 0.58MM.	3198 036 90010
9342	Wire Jumper, 0.58MM.	3198 036 90010
9343	Wire Jumper, 0.58MM.	3198 036 90010

Jack Panel Parts - 313912729721

CBA	Jack Panel Assembly.	3139 127 29721
0152	Cable, 5 Pin, 400mm.	3135 121 00031
1002	Connector, 3 Pin	2422 025 16601
1003	Socket, Cinch, 1 Pin	2422 026 04374
1004	Socket, Cinch, 1 Pin	2422 026 04912
1005	Connector, 6 Pin	2422 025 15776
1006	Connector, 9 Pin	2422 025 06354
1007	Connector, 5 Pin	2422 025 16759
1008	Connector, 5 Pin	2422 025 06353
1009	Socket, Click, 4 Pin	2422 015 18711
1010	Switch, Slide, 2P/2Pos, 6A	2422 127 00482
2001	Cap, 2u2, 20%, 50v, Electrolytic	3198 028 52280
2002	Cap, 2u2, 20%, 50v, Electrolytic	3198 028 52280

Comb Filter Panel Parts - 313912729671

CBA	Comb Filter Panel Parts - 31391272967	
0150	Comb Filter Panel Assembly	3139 127 29671
0162	Cable, 3 Pin, 400mm.	3135 121 00181
1000	Cable, 7 Pin, 220mm.	3135 121 00131
1102	Connector, 4 Pin	2422 025 12479
1215	Crystal, Resonator, 32KHz768	2422 543 00056
1229	Connector, 3 Pin	2422 025 16383
1237	Connector, 7 Pin	2422 025 17209
1242	Connector, 4 Pin	2422 025 15847
1254	Connector, 3 Pin	2412 020 00725
2000	Connector, 3 Pin	2422 025 16936
2001	Cap, 100u, 20%, 10v, Electrolytic.	3198 025 11010
2002	Cap, 100n, +80/-20%, 25v, Ceramic. . . .	3198 023 21040
2003	Cap, 100n, +80/-20%, 25v, Ceramic. . . .	3198 023 21040
2004	Cap, 100n, +80/-20%, 25v, Ceramic. . . .	3198 023 21040
2011	Cap, 100n, +80/-20%, 25v, Ceramic. . . .	3198 023 21040
2012	Cap, 1u, +80/-20%, 16v, Ceramic.	3198 017 21050
2013	Cap, 100p, 5%, 50v, Ceramic.	3198 016 01010
2014	Cap, 220n, +80/-20%, 25v, Ceramic. . . .	3198 023 22240
2020	Cap, 47p, 5%, 50v, Ceramic	3198 016 04790
2021	Cap, 100n, +80/-20%, 25v, Ceramic. . . .	3198 023 21040
2023	Cap, 100n, +80/-20%, 25v, Ceramic. . . .	3198 023 21040
2025	Cap, 100n, +80/-20%, 25v, Ceramic. . . .	3198 023 21040
2111	Cap, 47u, 20%, 25v, Electrolytic	3198 025 34790
2113	Battery, Lithium, 3V, 35mAh.	2422 526 01254
2118	Cap, 100p, 5%, 50v, Ceramic.	3198 016 01010
2119	Cap, 100p, 5%, 50v, Ceramic.	3198 016 01010
2120	Cap, 22u, 20%, 16v, Electrolytic	3198 028 22290
2122	Cap, 6p8, 7%, 50v, Ceramic	3198 016 06880
2123	Cap, 100n, 10%, 16v, Ceramic	3198 017 10040
2124	Cap, 470n, +80/-20%, 16v, Ceramic. . . .	3198 017 24740
2125	Cap, 470n, +80/-20%, 16v, Ceramic. . . .	3198 017 24740
2126	Cap, 470n, +80/-20%, 16v, Ceramic. . . .	3198 017 24740
3012	Res, 220 ohm, 5%, 1/10W, Metalized Gl	
	ass.	3198 021 52210
3013	Res, 220 ohm, 5%, 1/10W, Metalized Gl	
	ass.	3198 021 52210
3020	Res, 4K7, 5%, 1/10W, Metalized Glass	3198 021 54720
3026	Res, 2M2, 5%, 1/10W, Metalized Glass	3198 021 52250
3027	Res, 4K7, 5%, 1/10W, Metalized Glass	3198 021 54720
3110	Res, 10K, 5%, 1/10W, Metalized Glass	3198 021 51030
3111	Res, 2K7, 5%, 1/10W, Metalized Glass	3198 021 52720
3116	Res, 100 ohm, 5%, 1/10W, Glass	3198 021 51010
3117	Res, 100 ohm, 5%, 1/10W, Glass	3198 021 51010
3120	Res, 100K, 5%, 1/10W, Metalized Glass	3198 021 51040
3121	Res, 47K, 5%, 1/10W, Metalized Glass	3198 021 54730
3122	Res, 1K5, 5%, 1/10W, Metalized Glass	3198 021 51520
3123	Res, 330 ohm, 5%, 1/10W, Metalized Gl	
	ass.	3198 021 53310
3124	Res, 560 ohm, 5%, 1/10W, Metalized Gl	
	ass.	3198 021 55610
3125	Res, 330 ohm, 5%, 1/10W, Metalized Gl	
	ass.	3198 021 53310
4001	Res, Zero ohm, "Chip" Jumper	3198 021 90020

S = Safety Part Be sure to use exact replacement part.

PPC136C327 (continued)

5000	Coil, 10u.	3198 018 31090	7708	Transistor, NPN, BC847B.	3198 010 42030
5012	Coil, 15u.	2422 535 94296	7715	Transistor, NPN, BC847B.	3198 010 42030
5104	Coil, 6u8.	3198 018 26880	7716	Transistor, NPN, BC847B.	3198 010 42030
6110	Diode, Signal, BAS316.	3198 010 10630	9001	Wire Jumper, 0.58MM.	3198 036 90010
7000	IC, SAA4961/V3/S1.	9352 609 51112	9002	Wire Jumper, 0.58MM.	3198 036 90010
7110	IC, MK41T56N-00.	9322 078 54682	9003	Wire Jumper, 0.58MM.	3198 036 90010
7111	IC, HEF4052BT.	9333 729 50653	9004	Wire Jumper, 0.58MM.	3198 036 90010
7112	Transistor, NPN, BC847B.	3198 010 42030	9005	Wire Jumper, 0.58MM.	3198 036 90010
7113	Transistor, PNP, BC857B.	3198 010 42150	9007	Wire Jumper, 0.58MM.	3198 036 90010
9001	Wire Jumper, 0.58MM.	3198 036 90010	9008	Wire Jumper, 0.58MM.	3198 036 90010
9002	Wire Jumper, 0.58MM.	3198 036 90010	9009	Wire Jumper, 0.58MM.	3198 036 90010
9003	Wire Jumper, 0.58MM.	3198 036 90010	9010	Wire Jumper, 0.58MM.	3198 036 90010
			9021	Wire Jumper, 0.58MM.	3198 036 90010

Interface Panel (ITV) Parts - 313913721461

	Interface Panel (ITV) Parts - 313913721461	
	21461	
CBA	Interface Panel (ITV) Assembly . . .	3139 137 21461
0149	Cable, 9 Pin, 280mm.	3135 121 00071
0151	Cable, 3 Pin, 280mm.	3135 121 00011
0162	Cable, 7 Pin, 220mm.	3135 121 00051
0163	Cable, 10 Pin, 280mm.	3135 121 00061
0164	Cable, 3 Pin, 400mm.	3135 121 00161
0167	Cable, 4 Pin, 180mm.	3135 121 00081
0168	Cable, 6 Pin, 280mm.	3135 121 00041
0173	Cable, 5 Pin, 400mm.	3135 121 00031
0179	Cable, 4 Pin, 280mm.	3135 121 00201
0217	Connector, 4 Pin	2422 025 16385
0227	Connector, 6 Pin	2422 025 15849
0228	Connector, 3 Pin	2422 025 16407
0237	Connector, 4 Pin	2422 025 15847
0240	Connector, 7 Pin	2422 025 11244
0242	Connector, 10 Pin.	2422 025 12484
0259	Connector, 5 Pin	2422 025 15848
1002	Connector, 3 Pin	2422 025 16382
1259	Connector, 9 Pin.	2422 025 11243
1800	Connector, 32 Pin.	3135 010 03531
2703	Cap, 100u, 20%, 10v, Electrolytic. . .	3198 025 11010
2705	Cap, 22p, 5%, 50v, Ceramic	3198 016 02290
2706	Cap, 4n7, 10%, 50v, Ceramic.	3198 017 04720
2707	Cap, 4n7, 10%, 50v, Ceramic.	3198 017 04720
2709	Cap, 100n, 10%, 16v, Ceramic	3198 017 01040
2710	Cap, 100n, 10%, 16v, Ceramic	3198 017 01040
2711	Cap, 100p, 5%, 50v, Ceramic.	3198 016 01010
2712	Cap, 100p, 5%, 50v, Ceramic.	3198 016 01010
2713	Cap, 100n, 10%, 16v, Ceramic	3198 017 01040
3703	Res, 75 ohm, 5%, 1/10W, Metalized Glass.	3198 021 57590
3707	Res, 10K, 5%, 1/10W, Metalized Glass	3198 021 51030
3708	Res, 47K, 5%, 1/10W, Metalized Glass	3198 021 54730
3710	Res, 47K, 5%, 1/10W, Metalized Glass	3198 021 54730
3715	Res, 100 ohm, 5%, 1/10W, Glass	3198 021 51010
3716	Res, 10K, 5%, 1/10W, Metalized Glass	3198 021 51030
3717	Res, 10K, 5%, 1/10W, Metalized Glass	3198 021 51030
3718	Res, 10K, 5%, 1/10W, Metalized Glass	3198 021 51030
3719	Res, 4K7, 5%, 1/10W, Metalized Glass	3198 021 54720
3720	Res, 10K, 5%, 1/10W, Metalized Glass	3198 021 51030
3721	Res, 4K7, 5%, 1/10W, Metalized Glass	3198 021 54720
3722	Res, 10K, 5%, 1/10W, Metalized Glass	3198 021 51030
3723	Res, 33K, 5%, 1/10W, Metalized Glass	3198 021 53330
3724	Res, 33K, 5%, 1/10W, Metalized Glass	3198 021 53330
3725	Res, 68K, 5%, 1/10W, Metalized Glass	3198 021 56830
3726	Res, 10K, 5%, 1/10W, Metalized Glass	3198 021 51030
3727	Res, 4K7, 5%, 1/10W, Metalized Glass	3198 021 54720
3728	Res, 10K, 5%, 1/10W, Metalized Glass	3198 021 51030
3729	Res, 10K, 5%, 1/10W, Metalized Glass	3198 021 51030
3731	Res, 1K8, 5%, 1/10W, Metalized Glass	3198 021 51820
3733	Res, 47K, 5%, 1/10W, Metalized Glass	3198 021 54730
3734	Res, 47K, 5%, 1/10W, Metalized Glass	3198 021 54730
3735	Res, 75 ohm, 5%, 1/10W, Metalized Glass.	3198 021 57590
3736	Res, 75 ohm, 5%, 1/10W, Metalized Glass.	3198 021 57590
3740	Res, 220 ohm, 20%, 1/2W, Carbon Film	3198 013 02210
3741	Res, 1K, 5%, 1/10W, Metalized Glass.	3198 021 51020
3742	Res, 4K7, 5%, 1/10W, Metalized Glass	3198 021 54720
3743	Res, 100 ohm, 5%, 1/10W, Glass	3198 021 51010
3744	Res, 100 ohm, 5%, 1/10W, Glass	3198 021 51010
4004	Res, Zero ohm, "Chip" Jumper	3198 021 90020
4005	Res, Zero ohm, "Chip" Jumper	3198 021 90020
4006	Res, Zero ohm, "Chip" Jumper	3198 021 90020
4008	Res, Zero ohm, "Chip" Jumper	3198 021 90020
4009	Res, Zero ohm, "Chip" Jumper	3198 021 90020
4010	Res, Zero ohm, "Chip" Jumper	3198 021 90020
6703	Zener Diode, 5.1 volt.	3198 010 25180
6704	Zener Diode, 8.2 volt.	3198 020 58280
6706	Zener Diode, 8.2 volt.	3198 020 58280
7700	Transistor, NPN, BC847B.	3198 010 42030
7701	Transistor, NPN, BC847B.	3198 010 42030
7704	Transistor, PNP, BC857B.	3198 010 42150
7705	Transistor, PNP, BC857B.	3198 010 42150
7706	Transistor, NPN, BC847B.	3198 010 42030
7707	Transistor, NPN, BC847B.	3198 010 42030

S = Safety Part Be sure to use exact replacement part.

PRF227S325 - Manual no. 7629

Cabinet & Accessory Parts

	Cabinet & Accessory Parts				
S AC01	AC Cord	3135	010	07161	
AC04	Cabinet Back	3139	124	41811	
AC07	Chassis Tray	3139	124	31323	
AC09	Clip, Anode Lead (3 Used)	3135	014	04471	
S AC10	CRT, A68QCP893X001	9322	173	75682	
S AC12	Degaussing Coil	2422	549	43967	
AC13	Holder, Degaussing Coil (4 Used)	3139	124	31122	
AC16	Owner's Manual	3135	125	20871	
AC20	Cabinet Front Assembly f/PRF227S325	3121	237	52921	
AC20a	Cabinet Front	3139	137	88401	
AC20d	Light Guide	3139	124	33811	
AC20g	Power Button Cover	3139	124	32921	
AC20h	Power Button Shaft	3139	124	32791	
AC20j	Speaker, 16ohm, 5W (2 Used)	3139	128	76071	
AC20k	Top Control Panel	3139	177	22641	
AC20k1	Top Control Bracket	3139	124	30381	
AC20k2	Top Control Button	3139	124	30391	
AC20k3	Top Control Cover	3139	124	31131	
S AC21	Deflection Yoke, ITC (Supplied with CRT)	000-	--	---	

Main Chassis Assembly Parts

	Main Chassis Assembly Parts				
0127	Socket Fuse	2422	088	00271	
S 0211	Connector, 2 Pin	2422	025	16374	
S 0212	Connector, 2 Pin	2422	025	16375	
0214	Connector, 5 Pin	2422	025	12481	
0219	Connector, 6 Pin	2422	025	12482	
0220	Connector, 5 Pin	2422	025	04853	
S 0221	Connector, 4 Pin	2422	025	15503	
S 0222	Connector, 2 Pin	2422	025	10646	
0223	Socket, Cinch, 9 Pin	2422	026	05236	
0225	Socket, MDIN, 10 Pin	2422	026	04926	
0239	Connector, 3 Pin	2422	025	16382	
0240	Connector, 7 Pin	2422	025	11244	
0243	Connector, 6 Pin	2422	025	04854	
0246	Connector, 5 Pin	2422	025	12481	
0251	Connector, 3 Pin	2412	020	00725	
0259	Connector, 5 Pin	2422	025	15848	
0262	Connector, 3 Pin	2422	025	16937	
0267	Connector, 3 Pin	2412	020	00725	
1000	Tuner, V+U PLL	2422	542	90108	
1002	SAW Filter, 45MHZ75, OFWMM1971M L	2422	549	44518	
1200	Filter, Ceramic, 4MHz5	2422	549	40807	
S 1500	Fuse, 4A, 250V, IEC	2422	086	10914	
S 1515	Relay, 1P, 12V	2422	132	07444	
1660	Crystal Resonator, 12 MHz, 20P, HC49/U A	2422	543	01203	
1831	Crystal Resonator, 18MHZ432 12P HC49/U A	2422	543	00842	
2004	Cap, 47n, 10%, 16v, Ceramic	3198	017	34730	
2005	Cap, 10u, 20%, 50v, Electrolytic	3198	025	51090	
2006	Cap, 470u, 20%, 16v, Electrolytic	3198	025	24710	
2007	Cap, 100n, +80/-20%, 25v, Ceramic	3198	023	41040	
2008	Cap, 100u, 20%, 25v, Electrolytic	3198	025	31010	
2009	Cap, 22n, 10%, 25v, Ceramic	3198	017	32230	
2101	Cap, 470n, +80/-20%, 16v, Ceramic	3198	017	24740	
2102	Cap, 22p, 5%, 50v, Ceramic	3198	016	32290	
2103	Cap, 330p, 10%, 50v, Ceramic	3198	017	33310	
2104	Cap, 330p, 10%, 50v, Ceramic	3198	017	33310	
2105	Cap, 10u, 20%, 50v, Electrolytic	3198	025	51090	
2106	Cap, 10u, 20%, 50v, Electrolytic	3198	025	51090	
2111	Cap, 22p, 5%, 50v, Ceramic	3198	016	32290	
2112	Cap, 22p, 5%, 50v, Ceramic	3198	016	32290	
2113	Cap, 22p, 5%, 50v, Ceramic	3198	016	32290	
2123	Res, Zero ohm, Chip Jumper	3198	021	90020	
2125	Res, Zero ohm, Chip Jumper	3198	021	90020	
2131	Cap, 330p, 10%, 50v, Ceramic	3198	017	33310	
2132	Cap, 2u2, +80/-20%, 10v, Ceramic	3198	017	22250	
2133	Cap, 330p, 10%, 50v, Ceramic	3198	017	33310	
2134	Cap, 2u2, +80/-20%, 10v, Ceramic	3198	017	22250	
2135	Cap, 22p, 5%, 50v, Ceramic	3198	016	32290	
2136	Cap, 22p, 5%, 50v, Ceramic	3198	016	32290	
2181	Cap, 22p, 5%, 50v, Ceramic	3198	016	32290	
2184	Cap, 2u2, +80/-20%, 10v, Ceramic	3198	017	22250	
2202	Cap, 100n, +80/-20%, 25v, Ceramic	3198	023	21040	
2203	Cap, 100n, +80/-20%, 25v, Ceramic	3198	023	21040	
2204	Cap, 100n, +80/-20%, 25v, Ceramic	3198	023	41040	
2205	Cap, 220n, +80/-20%, 25v, Ceramic	3198	023	22240	
2208	Cap, 100n, +80/-20%, 25v, Ceramic	3198	023	41040	
2209	Cap, 4u7, 20%, 50v, Electrolytic	3198	025	54780	
2210	Cap, 1u, +80/-20%, 16v, Ceramic	3198	017	21050	
2211	Cap, 470n, +80/-20%, 16v, Ceramic	3198	017	24740	
2213	Cap, 22n, 10%, 50v, Ceramic	3198	017	02230	
2214	Cap, 22n, 10%, 50v, Ceramic	3198	017	02230	
2215	Cap, 22n, 10%, 50v, Ceramic	3198	017	02230	
2216	Cap, 1000u, 20%, 16v, Electrolytic	3198	026	21020	
2217	Cap, 22n, 10%, 25v, Ceramic	3198	017	32230	
2219	Cap, 220n, +80/-20%, 25v, Ceramic	3198	023	22240	
2220	Cap, 470n, 10%, 50v, Polyester	3198	014	04740	

2221	Cap, 22n, 10%, 50v, Ceramic	3198	017	02230	
2241	Cap, 1n5, 10%, 50v, Ceramic	3198	017	31520	
2242	Cap, 1u, +80/-20%, 10v, Ceramic	3198	017	41050	
2243	Cap, 2n2, 10%, 50v, Ceramic	3198	017	02220	
2244	Cap, 100n, 5%, 63v, Metallized Polyester	2222	370	76104	
2245	Cap, 220n, +80/-20%, 16v, Ceramic	3198	023	22240	
2247	Cap, 1000u, 20%, 16v, Electrolytic	3198	026	21020	
2248	Cap, 22n, 10%, 50v, Ceramic	3198	017	02230	
2249	Cap, 22n, 10%, 25v, Ceramic	3198	017	32230	
2250	Cap, 2u2, 20%, 50v, Electrolytic	3198	025	52280	
2252	Cap, 1n, 5%, 25v, Ceramic	3198	016	31020	
2253	Cap, 1n, 5%, 25v, Ceramic	3198	016	31020	
2254	Res, Zero ohm, Chip Jumper	3198	021	90020	
2401	Cap, 2u2, 20%, 50v, Electrolytic	2020	021	90552	
2402	Cap, 470p, 10%, 500v, Ceramic	3198	019	44710	
2404	Cap, 47u, 20%, 50v, Electrolytic	3198	025	54790	
2405	Cap, 220u, 20%, 25v, Electrolytic	3198	025	32210	
2441	Cap, 1u, 20%, 50v, Electrolytic	3198	025	51080	
2443	Cap, 47n, +80/-20%, 50v, Ceramic	3198	017	24730	
2444	Cap, 1u, 20%, 50v, Electrolytic	3198	025	51080	
2450	Cap, 47u, 20%, 160v, Electrolytic	2020	021	91139	
2451	Cap, 22n, 10%, 50v, Polyester	3198	014	02230	
2452	Cap, 180p, 5%, 50v, Ceramic	3198	016	01810	
2455	Cap, 47u, 20%, 25v, Electrolytic	3198	025	34790	
2457	Cap, 360n, 5%, 250v, Polypropylene	2222	479	90019	
2458	Cap, 2u2, 20%, 100v, Electrolytic	2020	021	91331	
2459	Cap, 680p, 10%, 500v, Ceramic	3198	019	46810	
2460	Cap, 100p, 5%, 50v, Ceramic	3198	016	01010	
2463	Cap, 820p, 10%, 2000v, Ceramic	2020	558	90486	
2464	Cap, 2u2, 5%, 160v, Metallized Polypropylene	2222	479	90042	
2465	Cap, 12n, 5%, 1600v, Polypropylene	2222	375	90156	
2467	Cap, 15n, 10%, 400v, Polyester	2222	347	90219	
2468	Cap, 15n, 10%, 400v, Polyester	2222	347	90219	
2471	Cap, 100n, 10%, 50v, Polyester	3198	014	01040	
2472	Cap, 150n, 10%, 63v, Metallized Polyester	2222	365	75154	
2473	Cap, 100n, 10%, 63v, Metallized Polyester	2222	365	75104	
2474	Cap, 2n2, 10%, 50v, Ceramic	3198	017	02220	
2475	Cap, 2n2, 10%, 50v, Ceramic	3198	017	02220	
2476	Cap, 4n7, 10%, 50v, Ceramic	3198	017	04720	
2480	Cap, 47u, 20%, 25v, Electrolytic	2020	021	90586	
2481	Cap, 470p, 10%, 500v, Ceramic	3198	019	44710	
2482	Cap, 120n, 5%, 250v, Metallized Polypropylene	2222	479	90051	
2485	Cap, 4u7, 20%, 250v, Electrolytic	2020	021	90856	
2486	Cap, 470u, 20%, 16v, Electrolytic	2020	021	91577	
2487	Cap, 47u, 20%, 50v, Electrolytic	2020	021	90854	
2488	Cap, 1000u, 20%, 16v, Electrolytic	2020	021	91049	
2489	Cap, 470u, 20%, 16v, Electrolytic	2020	021	91577	
2491	Cap, 1n, 10%, 500v, Ceramic	3198	019	41020	
S 2500	Cap, 470n, 20%, 275v, Metallized Polypropylene	2222	336	29148	
2501	Cap, 2n2, 10%, 1000v, Ceramic	3198	019	52220	
2502	Cap, 2n2, 10%, 1000v, Ceramic	3198	019	52220	
2503	Cap, 470u, 20%, 200v, Electrolytic	2020	024	90626	
2505	Cap, 2n2, 10%, 1000v, Ceramic	3198	019	52220	
2507	Cap, 470p, 10%, 50v, Ceramic	3198	017	04710	
2508	Cap, 470p, 10%, 1000v, Ceramic	3198	019	64710	
S 2515	Cap, 1n5, 20%, v, Ceramic	2020	554	90128	
2520	Cap, 100n, 10%, 16v, Ceramic	3198	017	01040	
2521	Cap, 22u, 20%, 50v, Electrolytic	3198	025	52290	
2522	Cap, 100n, 10%, 16v, Ceramic	3198	017	01040	
2523	Cap, 1n5, 10%, 2000v, Ceramic	2020	558	90489	
2525	Cap, 470p, 10%, 50v, Ceramic	3198	017	04710	
2527	Cap, 2n2, 10%, 50v, Ceramic	3198	017	02220	
2528	Cap, 1n, 10%, 50v, Ceramic	3198	017	01020	
2540	Cap, 10n, 10%, 50v, Ceramic	3198	017	01030	
2541	Cap, 10n, 10%, 50v, Ceramic	3198	017	01030	
2560	Cap, 680p, 10%, 1000v, Ceramic	2020	558	90472	
2561	Cap, 100u, 20%, 160v, Electrolytic	2020	021	91654	
2562	Cap, 1n, 10%, 50v, Ceramic	3198	019	11020	
2563	Cap, 100n, 10%, 50v, Polyester	3198	014	01040	
2564	Cap, 2u2, 20%, 25v, Electrolytic	2020	021	91353	
2566	Cap, 47				

PRF227S325 (continued)

2616	Cap, 470n, +80/-20%, 10v, Ceramic.	3198	017	44740	3218	Res, 82K, 5%, 1/16W, Metallized Glass	3198	021	38230
2618	Cap, 1u, +80/-20%, 10v, Ceramic.	3198	017	41050	3219	Res, 2K2, 5%, 1/16W, Metallized Glass	3198	021	32220
2619	Cap, 1u, +80/-20%, 16v, Ceramic.	3198	017	21050	3220	Res, 100 ohm, 5%, 1/6W, Carbon Film.	3198	011	01010
2801	Cap, 22u, 20%, 50v, Electrolytic.	3198	025	52290	3221	Res, 560 ohm, 5%, 1/6W, Carbon Film.	3198	011	05610
2802	Cap, 220n, +80/-20%, 16v, Ceramic.	3198	017	42240	3222	Res, 100 ohm, 5%, 1/6W, Carbon Film.	3198	011	01010
2804	Cap, 2u2, +80/-20%, 10v, Ceramic.	3198	017	22250	3226	Res, 560 ohm, 5%, 1/16W, Metallized G lass	3198	021	35610
2805	Res, Zero ohm, Chip Jumper	3198	021	90020	3235	Res, 100 ohm, 5%, 1/6W, Carbon Film.	3198	011	01010
2806	Res, Zero ohm, 'Chip' Jumper	3198	021	90030	3241	Res, 22K, 5%, 1/16W, Metallized Glass	3198	021	32230
2831	Cap, 1p, 25%, 50v, Ceramic.	3198	016	31080	3242	Res, 12K, 5%, 1/10W, Metallized Glass	3198	021	51230
2832	Cap, 1p, 25%, 50v, Ceramic.	3198	016	31080	3244	Res, 820 ohm, 5%, 1/6W, Carbon Film.	3198	011	08210
2833	Cap, 47p, 5%, 50v, Ceramic.	3198	016	34790	3245	Res, 39K, 1%, 1/10W, Metallized Glass	2120	108	52633
2834	Cap, 470p, 5%, 50v, Ceramic.	3198	016	34710	3246	Res, 10k, 5%, Carbon	3198	021	51030
2835	Cap, 220p, 5%, 50v, Ceramic.	3198	016	32210	3247	Res, 680K, 5%, 1/10W, Metallized Glas	3198	021	56840
2836	Cap, 1n5, 10%, 50v, Ceramic.	3198	017	31520	3248	Res, 33K, 5%, 1/10W, Metallized Glass	3198	021	53330
2837	Cap, 4u7, 20%, 50v, Electrolytic.	3198	025	54780	3249	Res, 820 ohm, 5%, 1/6W, Carbon Film.	3198	011	08210
2840	Cap, 100n, +80/-20%, 25v, Ceramic.	3198	023	41040	3250	Res, 8K2, 5%, 1/6W, Carbon Film.	3198	011	08220
2841	Cap, 10u, 20%, 50v, Electrolytic.	3198	025	51090	3251	Res, 100 ohm, 5%, 1/6W, Carbon Film.	3198	011	01010
2842	Cap, 100n, +80/-20%, 25v, Ceramic.	3198	023	41040	3256	Res, 1k, 5%, Carbon.	3198	021	51020
2843	Cap, 10u, 20%, 50v, Electrolytic.	3198	025	51090	3257	Res, 10M, 5%, 1/10W, Metallized Glass	3198	021	51060
2844	Cap, 10u, 20%, 50v, Electrolytic.	3198	025	51090	3258	Res, 100K, 5%, 1/10W, Metallized Glas	3198	021	51040
2845	Cap, 100n, +80/-20%, 25v, Ceramic.	3198	023	41040	3259	Res, 470K, 5%, 1/10W, Metallized Glas	3198	021	54740
2846	Cap, 100u, 20%, 25v, Electrolytic.	3198	025	51010	3400	Res, 330 ohm, 5%, 1/6W, Carbon Film.	3198	011	03310
2849	Cap, 1n, 5%, 25v, Ceramic.	3198	016	31020	3401	Res, 220K, 5%, 1/6W, Carbon Film.	3198	011	02240
2850	Cap, 1n, 5%, 25v, Ceramic.	3198	016	31020	3403	Res, 82K, 1%, 3/5W, Metal Film.	2312	915	18203
2851	Res, Zero ohm, 'Chip' Jumper	3198	021	90030	3404	Res, 1K, 5%, 1/6W, Carbon Film.	3198	011	01020
2852	Cap, 1n, 5%, 25v, Ceramic.	3198	016	31020	3405	Res, 4R7, 5%, 1/6W, Carbon Film.	3198	011	04780
2853	Res, Zero ohm, 'Chip' Jumper	3198	021	90030	3406	Res, 4R7, 5%, 1/6W, Carbon Film.	3198	011	04780
2854	Cap, 1n, 5%, 25v, Ceramic.	3198	016	31020	3408	Res, 100 ohm, 5%, 1/6W, Carbon Film.	3198	011	01010
2855	Cap, 33p, 5%, 50v, Ceramic.	3198	016	33390	3410	Res, 10K, 5%, 1/6W, Carbon Film.	3198	011	01030
2856	Cap, 47p, 5%, 50v, Ceramic.	3198	016	34790	3411	Res, 4R7, 5%, 1/3W, Metal Film.	2306	204	03478
2857	Cap, 150p, 5%, 50v, Ceramic.	3198	016	31510	3441	Res, 100 ohm, 5%, 1/10W, Metallized G lass	3198	021	51010
2860	Cap, 180p, 5%, 50v, Ceramic.	3198	016	31810	3442	Res, Zero ohm, Chip Jumper	3198	021	90020
2894	Cap, 220p, 5%, 50v, Ceramic.	3198	016	32210	3443	Res, 1M, 5%, 1/10W, Metallized Glass	3198	021	51050
2895	Cap, 560p, 5%, 25v, Ceramic.	3198	016	35610	3445	Res, 15K, 5%, 1/6W, Carbon Film.	3198	011	01530
2897	Cap, 390p, 5%, 50v, Ceramic.	3198	016	33910	3446	Res, 5K6, 5%, 1/6W, Carbon Film.	3198	011	05620
2898	Cap, 10n, 10%, 50v, Ceramic.	3198	017	31030	3447	Res, 180 ohm, 5%, 1/6W, Carbon Film.	3198	011	01810
2902	Cap, 1000u, 20%, 16v, Electrolytic.	3198	026	21020	3448	Res, 820 ohm, 5%, 1/6W, Carbon Film.	3198	011	08210
2903	Cap, 1u, 20u, 50v, Electrolytic.	3198	025	51080	3449	Res, 68 ohm, 5%, 1/6W, Carbon Film.	3198	011	06890
2904	Cap, 470n, +80/-20%, 16v, Ceramic.	3198	017	24740	3450	Res, 33 ohm, 5%, 1/6W, Carbon Film.	3198	011	03390
2905	Cap, 1n, 10%, 50v, Ceramic.	3198	017	31020	S 3451	Res, 5R6, 5%, 1/3W, Metal Film.	2306	204	03568
2906	Cap, 470n, +80/-20%, 16v, Ceramic.	3198	017	24740	3452	Res, 5K6, 1%, 3/5W, Metal Film.	2312	915	15602
2907	Cap, 1n, 10%, 50v, Ceramic.	3198	017	31020	3453	Res, 1K, 5%, 1/6W, Carbon Film.	3198	011	01020
2908	Cap, 10u, 20%, 50v, Electrolytic.	3198	025	51090	3454	Res, 2K, 1%, 3/5W, Metal Film.	2312	915	12002
2910	Cap, 3n3, 10%, 50v, Ceramic.	3198	017	33320	3455	Res, 6R8, 5%, 1 1/3W, Metal Film.	3198	012	26880
2911	Cap, 3n3, 10%, 50v, Ceramic.	3198	017	33320	3456	Res, Zero ohm, Chip Jumper	3198	021	90020
2950	Cap, 330p, 5%, 50v, Ceramic.	3198	016	33310	3457	Res, Zero ohm, Chip Jumper	3198	021	90020
3000	Res, 100 ohm, 5%, 1/6W, Carbon Film.	3198	011	01010	3458	Res, 1K, 5%, 1/6W, Carbon Film.	3198	011	01020
3001	Res, 100 ohm, 5%, 1/6W, Carbon Film.	3198	011	01010	3459	Res, 15K, 5%, 1 1/3W, Metal Film.	3198	012	21530
3002	Res, Zero ohm, 'Chip' Jumper	3198	021	90030	3460	Res, 3K9, 5%, 1/6W, Carbon Film.	3198	011	03920
3003	Res, 1K5, 5%, 1/16W, Metallized Glass	3198	021	31520	3463	Res, 33 ohm, 5%, 1/6W, Carbon Film.	3198	011	03390
3004	Res, 8K2, 5%, 1/16W, Metallized Glass	3198	021	38220	3465	Res, 27K, 1%, 3/5W, Metal Film.	2312	915	12703
3005	Res, 100 ohm, 5%, 1/6W, Carbon Film.	3198	011	01010	3468	Res, 100 ohm, 5%, 1/6W, Carbon Film.	3198	011	01010
3101	Res, 68 ohm, 5%, 1/6W, Carbon Film.	3198	011	06890	3469	Res, 3K3, 5%, 1/6W, Carbon Film.	3198	011	03320
3102	Res, 1K, 5%, 1/16W, Metallized Glass	3198	021	31020	3470	Res, 470K, 5%, 1/10W, Metallized Glas	3198	021	54740
3103	Res, 150 ohm, 5%, 1/6W, Carbon Film.	3198	011	01510	3472	Res, 3R9, 1%, 3/5W, Metal Film.	2312	915	13908
3104	Res, 220K, 5%, 1/16W, Metallized Glas	3198	021	32240	3473	Res, 2R2, 1%, 3/5W, Metal Film.	2312	915	12208
3105	Res, 150 ohm, 5%, 1/6W, Carbon Film.	3198	011	01510	3474	Res, 2K2, 1%, 3/5W, Metal Film.	2312	915	12202
3106	Res, 220K, 5%, 1/16W, Metallized Glas	3198	021	32240	3475	Res, 2K2, 1%, 3/5W, Metal Film.	2312	915	12202
3112	Res, 100 ohm, 5%, 1/6W, Carbon Film.	3198	011	01010	3477	Res, 150 ohm, 5%, 1/6W, Carbon Film.	3198	011	01510
3114	Res, 100 ohm, 5%, 1/6W, Carbon Film.	3198	011	01010	3478	Res, 150 ohm, 5%, 1/6W, Carbon Film.	3198	011	01510
3116	Res, 100 ohm, 5%, 1/6W, Carbon Film.	3198	011	01010	3479	Res, 2K7, 5%, 1/10W, Metallized Glass	3198	021	52720
3121	Res, 75 ohm, 5%, 1/6W, Carbon Film.	3198	011	07590	3480	Res, 1R5, 5%, 1/4W, Carbon Film.	2120	101	74158
3123	Wire Jumper, 0.58MM.	3198	036	90010	3481	Res, 12k, 1%, Metal Film.	2312	915	11203
3124	Res, 75 ohm, 5%, 1/16W, Metallized G lass	3198	021	37590	3482	Res, 10K, 1%, 3/5W, Metal Film.	2312	915	11003
3125	Wire Jumper, 0.58MM.	3198	036	90010	3484	Res, 3K9, 5%, 1/6W, Carbon Film.	3198	011	03920
3126	Res, 75 ohm, 5%, 1/16W, Metallized G lass	3198	021	37590	3486	Res, 22 ohm, 5%, 2 1/2W, Metal Film.	3198	012	32290
3131	Res, 150 ohm, 5%, 1/6W, Carbon Film.	3198	011	01510	3488	Res, 4R7, 5%, 1/2W, Metal Film.	2306	207	03478
3132	Res, 47K, 5%, 1/16W, Metallized Glass	3198	021	34730	3490	Res, 8K2, 5%, 1/6W, Carbon Film.	3198	011	08220
3133	Res, 150 ohm, 5%, 1/6W, Carbon Film.	3198	011	01510	3492	Res, 1k, 5%, Carbon.	3198	021	51020
3134	Res, 47K, 5%, 1/16W, Metallized Glass	3198	021	34730	3493	Res, 6R8, 5%, 1/3W, Metal Film.	2306	204	03688
3135	Res, 75 ohm, 5%, 1/6W, Carbon Film.	3198	011	07590	3494	Res, 4R7, 5%, 1/2W, Metal Film.	2306	207	03478
3136	Res, 100 ohm, 5%, 1/6W, Carbon Film.	3198	011	01010	3495	Res, 22k, 5%, Carbon.	3198	021	52230
3138	Wire Jumper, 0.58MM.	3198	036	90010	3496	Res, 100K, 5%, 1/10W, Metallized Glas	3198	021	51040
3141	Res, 1K, 5%, 1/6W, Carbon Film.	3198	011	01020	3497	Res, 100K, 5%, 1/10W, Metallized Glas	3198	021	51040
3200	Res, 390 ohm, 5%, 1/6W, Carbon Film.	3198	011	03910	3498	Res, 12K, 5%, 1/10W, Metallized Glass	3198	021	51230
3201	Res, 100 ohm, 5%, 1/6W, Carbon Film.	3198	011	01010	3499	Res, 10k, 5%, Carbon.	3198	021	51030
3202	Res, 100 ohm, 5%, 1/6W, Carbon Film.	3198	011	01010	3504	Res, 3 ohm, +30%/-20%, 144v, PTC, Car bon Film	2122	663	00019
3203	Res, 100 ohm, 5%, 1/6W, Carbon Film.	3198	011	01010	S 3506	Res, 1M5, 5%, 1/2W, Metallized Glass	2322	242	13155
3204	Res, 22K, 5%, 1/6W, Carbon Film.	3198	011	02230	S 3507	Surge Protector, DSP-301N-A21F A.	2422	549	43073
3205	Res, 1k, 5%, Carbon.	3198	021	51020	S 3508	Res, 220 ohm, 20%, 1/2W, Carbon Film	3198	013	02210
3206	Res, 33K, 5%, 1/16W, Metallized Glass	3198	021	33330	3510	Res, 4.7 ohm, 20%, 3W1, NTC, Carbon F ilm.	2122	612	00056
3207	Res, 1K, 5%, 1/6W, Carbon Film.	3198	011	01020	3519	Res, 270 ohm, 5%, 1/6W, Carbon Film.	3198	011	02710
3208	Res, 220 ohm, 5%, 1/16W, Metallized G lass	3198	021	32210	3520	Res, 1K2, 5%, 1/10W, Metallized Glass	3198	021	51220
3209	Res, 68 ohm, 5%, 1/16W, Metallized G lass	3198	021	36890	3521	Res, 4R7, 5%, 1/6W, Carbon Film.	3198	011	04780
3212	Res, 470 ohm, 5%, 1/16W, Metallized G lass	3198	021	34710	3522	Res, 330K, 5%, 1/10W, Metallized Glas	3198	021	53340
3213	Res, 560 ohm, 5%, 1/6W, Carbon Film.	3198	011	05610	S 3523	Res, 100 ohm, 5%, 1/3W, Metal Film.	2306	204	03101
3217	Res, 330K, 5%, 1/16W, Metallized Glas	3198	021	33340	3524	Res, 56K, 5%, 1/10W, Metallized Glass	3198	021	55630
					3525	Res, 1k, 5%, Carbon.	3198	021	51020

S = Safety Part Be sure to use exact replacement part.

PRF227S325 (continued)

3526	Res, 0R1, 5%, 3/5W, Metal Film . . .	3198 012 11070	4613	Res, Zero ohm, Chip Jumper	3198 021 90020
3527	Res, 0R33, 5%, 3/5W, Metal Film . . .	3198 012 13370	4614	Res, Zero ohm, Chip Jumper	3198 021 90020
3528	Res, Zero ohm, Chip Jumper	3198 021 90020	4615	Res, Zero ohm, 'Chip' Jumper	3198 021 90030
3529	Res, 47K, 5%, 1/10W, Metallized Glass	3198 021 54730	4617	Res, Zero ohm, Chip Jumper	3198 021 90020
3530	Res, 10k, 5%, Carbon	3198 021 51030	4619	Res, Zero ohm, Chip Jumper	3198 021 90020
3531	Res, 4K7, 5%, 1/10W, Metallized Glass	3198 021 54720	4622	Res, Zero ohm, Chip Jumper	3198 021 90020
S 3532	Res, 2K2, 5%, 1/3W, Metal Film . . .	2306 204 03222	4623	Res, Zero ohm, Chip Jumper	3198 021 90020
3541	Res, 470 ohm, 5%, 1/10W, Metallized G lass	3198 021 54710	4691	Res, Zero ohm, 'Chip' Jumper	3198 021 90030
3542	Res, 1K5, 5%, 1/10W, Metallized Glass	3198 021 51520	4692	Res, Zero ohm, 'Chip' Jumper	3198 021 90030
3543	Res, 82K, 1%, 3/5W, Metal Film . . .	2312 915 18203	4693	Res, Zero ohm, 'Chip' Jumper	3198 021 90030
3544	Res, 4K7, 1%, 1/10W, Metallized Glass	2120 108 92624	4801	Res, Zero ohm, 'Chip' Jumper	3198 021 90030
3545	Res, 270K, 5%, 1/8W, Metallized Glass	2322 730 61274	4811	Res, Zero ohm, 'Chip' Jumper	3198 021 90030
3548	Res, 15K, 5%, 1/10W, Metallized Glass	3198 021 51530	4831	Res, Zero ohm, 'Chip' Jumper	3198 021 90030
3548	Res, 15K, 5%, 1/10W, Metallized Glass	3198 021 51530	4833	Res, Zero ohm, 'Chip' Jumper	3198 021 90030
3552	Res, 4K7, 5%, 1/10W, Metallized Glass	3198 021 54720	4835	Res, Zero ohm, Chip Jumper	3198 021 90020
3557	Res, 1k, 5%, Carbon	3198 021 51020	4901	Res, Zero ohm, 'Chip' Jumper	3198 021 90030
3560	Res, 47 ohm, 5%, 1/6W, Carbon Film . .	3198 011 04790	4903	Res, Zero ohm, 'Chip' Jumper	3198 021 90030
3561	Res, 100 ohm, 5%, 1/6W, Carbon Film.	3198 011 01010	4982	Res, Zero ohm, Chip Jumper	3198 021 90020
3562	Res, 12K, 5%, 1/10W, Metallized Glass	3198 021 51230	5001	Coil, 27u.	3198 018 22790
3563	Res, 5K6, 5%, 1/10W, Metallized Glass	3198 021 55620	5002	Coil, 820n	3198 018 18270
3564	Res, 0R1, 5%, 1/3W, Metal Film . . .	3198 012 21070	5201	Coil, 6u8.	3198 018 16880
3565	Res, 330 ohm, 5%, 1W, Metal Film . . .	3198 012 13310	5202	Coil, 10u.	3198 018 21090
3566	Res, 2K2, 5%, 1/10W, Metallized Glass	3198 021 52220	5204	Fixed, Inductor, 100MHz, 80 ohm. . . .	3198 018 90020
3567	Res, 1K8, 5%, 1/16W, Metallized Glass	3198 021 31820	5205	Fixed, Inductor, 100MHz, 80 ohm. . . .	3198 018 90020
3568	Res, 8K2, 5%, 1/10W, Metallized Glass	3198 021 58220	5206	Wire Jumper, 0.58MM.	3198 036 90010
3569	Res, 5K6, 5%, 1/10W, Metallized Glass	3198 021 55620	5241	Coil, 10u.	3198 018 21090
3580	Res, 47K, 5%, 1/10W, Metallized Glass	3198 021 54730	5242	Coil, 10u.	3198 018 11090
3594	Res, 330 ohm, 5%, 1/10W, Metallized G lass	3198 021 53310	S 5445	Transformer, LOT PLSLOT 29'	3128 138 21421
3595	Res, 220K, 5%, 1/10W, Metallized Glas	3198 021 52240	5451	Coil, 22u.	3198 018 72290
3596	Res, 220K, 5%, 1/10W, Metallized Glas	3198 021 52240	5452	Fixed, Inductor, 100MHz, 80 ohm. . . .	3198 018 90020
3601	Res, 8K2, 5%, 1/6W, Carbon Film. . .	3198 011 08220	5457	Linear Correction Coil	3128 138 53201
3603	Res, 100 ohm, 5%, 1/6W, Carbon Film.	3198 011 01010	5461	Transformer, Signal Driver, SC10015-0 0 B.	2422 531 02465
3604	Res, 100 ohm, 5%, 1/6W, Carbon Film.	3198 011 01010	5463	Coil, Choke.	3128 138 37021
3605	Res, 4K7, 5%, 1/16W, Metallized Glass	3198 021 34720	5471	Coil, 6u8.	3198 018 76880
3606	Res, 2K2, 5%, 1/6W, Carbon Film. . .	3198 011 02220	5472	Coil, 3u3.	3198 018 23380
3607	Res, 2K2, 5%, 1/6W, Carbon Film. . .	3198 011 02220	5480	Coil, 33u.	2422 535 97335
3608	Res, 100 ohm, 5%, 1/6W, Carbon Film.	3198 011 01010	S 5501	Filter, Mains, 5mH, 2A	2422 549 43432
3609	Res, 1K, 5%, 1/6W, Carbon Film . . .	3198 011 01020	S 5520	Transformer, SMT Layer, SS39009-04 B	2422 531 02459
3610	Res, 8K2, 5%, 1/6W, Carbon Film. . .	3198 011 08220	5521	Fixed, Inductor, 100MHz, 50R.	3198 018 90010
3611	Res, 100 ohm, 5%, 1/16W, Metallized G lass	3198 021 31010	5560	Fixed, Inductor, 100MHz, 50R.	3198 018 90010
3618	Res, 6K8, 5%, 1/6W, Carbon Film. . .	3198 011 06820	5561	Coil, 27u.	3198 018 22790
3622	Res, 100 ohm, 5%, 1/10W, Metallized G lass	3198 021 51010	5562	Fixed, Inductor, 100MHz, 50R.	3198 018 90010
3623	Res, 4K7, 5%, 1/16W, Metallized Glass	3198 021 34720	5564	Fixed, Inductor, 100MHz, 50R.	3198 018 90010
3624	Res, 100 ohm, 5%, 1/6W, Carbon Film.	3198 011 01010	5602	Coil, 5u6.	3198 018 15680
3625	Res, 100 ohm, 5%, 1/6W, Carbon Film.	3198 011 01010	5603	Coil, 5u6.	3198 018 15680
3626	Res, 4K7, 5%, 1/16W, Metallized Glass	3198 021 34720	5604	Coil, 5u6.	3198 018 15680
3627	Res, 4K7, 5%, 1/16W, Metallized Glass	3198 021 34720	5831	Coil, 6u8.	3198 018 16880
3628	Res, 10K, 5%, 1/16W, Metallized Glass	3198 021 31030	5832	Coil, 6u8.	3198 018 16880
3630	Res, 2K2, 5%, 1/16W, Metallized Glass	3198 021 32220	5833	Coil, 6u8.	3198 018 16880
3632	Res, Zero ohm, 'Chip' Jumper	3198 021 90030	5835	Coil, 12u.	3198 018 31290
3634	Res, 100 ohm, 5%, 1/6W, Carbon Film.	3198 011 01010	6001	Zener Diode, 33 volt	3198 010 23390
3636	Res, 100 ohm, 5%, 1/10W, Metallized G lass	3198 021 51010	6006	Diode, Signal, 1N4148.	3198 010 10010
3639	Res, Zero ohm, 'Chip' Jumper	3198 021 90030	6007	Diode, Signal, 1N4148.	3198 010 10010
3801	Res, 220 ohm, 5%, 1/6W, Carbon Film.	3198 011 02210	6201	Diode, Signal, BAS316.	3198 010 10630
3802	Res, 1K, 5%, 1/6W, Carbon Film . . .	3198 011 01020	6202	Diode, Signal, BAS316.	3198 010 10630
3809	Res, 75 ohm, 5%, 1/16W, Metallized Gl ass.	3198 021 37590	6206	Zener Diode, 6.8 volt.	3198 020 56880
3810	Res, 75 ohm, 5%, 1/16W, Metallized Gl ass.	3198 021 37590	6400	Res, 1K, 1%, 3/5W, Metal Film.	2312 915 11002
3831	Res, 47K, 5%, 1/16W, Metallized Glass	3198 021 34730	6401	Zener Diode, 47 volt	3198 010 24790
3832	Res, 100 ohm, 5%, 1/6W, Carbon Film.	3198 011 01010	6445	Zener Diode, 10 volt	3198 020 51090
3833	Res, 100 ohm, 5%, 1/6W, Carbon Film.	3198 011 01010	6447	Diode, Signal, 1N4148.	3198 010 10010
3836	Res, 1K, 5%, 1/16W, Metallized Glass	3198 021 31020	6448	Zener Diode, 6.2 volt.	9331 668 30133
3837	Res, 100 ohm, 5%, 1/6W, Carbon Film.	3198 011 01010	6449	Diode, Signal, BAV99	3198 010 10620
3838	Res, 1K, 5%, 1/16W, Metallized Glass	3198 021 31020	6453	Zener Diode, 6.8 volt.	3198 020 56880
3839	Res, 100 ohm, 5%, 1/6W, Carbon Film.	3198 011 01010	6460	Diode, Rect, BY228/24.	9340 559 50112
3843	Res, 2K2, 5%, 1/16W, Metallized Glass	3198 021 32220	6461	Diode, Rect, RGP30J-L7004.	9338 617 60682
3901	Res, 1K, 5%, 1/16W, Metallized Glass	3198 021 31020	6462	Zener Diode, 9.1 volt.	9331 177 80133
3902	Res, 3K3, 5%, 1/16W, Metallized Glass	3198 021 33320	6465	Diode, Signal, BAV21	3198 010 10070
3903	Res, 3K3, 5%, 1/16W, Metallized Glass	3198 021 33320	6466	Diode, Signal, BAV21	3198 010 10070
3904	Res, 10K, 5%, 1/16W, Metallized Glass	3198 021 31030	6467	Diode, Signal, BAS316.	3198 010 10630
3905	Res, 3K3, 5%, 1/16W, Metallized Glass	3198 021 33320	6468	Diode, Signal, BAS316.	3198 010 10630
3906	Res, 10K, 5%, 1/16W, Metallized Glass	3198 021 31030	6469	Diode, Rect, BYD33J	9337 234 20133
3907	Res, 8K2, 5%, 1/16W, Metallized Glass	3198 021 38220	6470	Diode, Signal, BAV99	3198 010 10620
4001	Res, Zero ohm, 'Chip' Jumper	3198 021 90030	6476	Zener Diode, 15 volt	3198 010 21590
4002	Res, Zero ohm, 'Chip' Jumper	3198 021 90030	6481	Zener Diode, 5.6 volt.	3198 010 25680
4101	Res, Zero ohm, 'Chip' Jumper	3198 021 90030	6482	Zener Diode, 9.1 volt.	9331 177 80133
4102	Res, Zero ohm, 'Chip' Jumper	3198 021 90030	6483	Zener Diode, 33 volt	3198 010 23390
4104	Res, Zero ohm, 'Chip' Jumper	3198 021 90030	6485	Diode, Rect, BYD33J	9337 234 20133
4181	Res, Zero ohm, 'Chip' Jumper	3198 021 90030	6486	Diode, Rect, EGP20DL-5100.	9322 164 42682
4209	Res, Zero ohm, 'Chip' Jumper	3198 021 90030	6487	Diode, Rect, BYD33D	9337 234 00133
4216	Res, Zero ohm, 'Chip' Jumper	3198 021 90030	6488	Diode, Rect, EGP20DL-5100.	9322 164 42682
4217	Res, Zero ohm, 'Chip' Jumper	3198 021 90030	6500	Diode, Bridge Rect, GBU4JL-7002. . . .	9322 132 55667
4401	Res, Zero ohm, Chip Jumper	3198 021 90020	6520	Diode, Rect, BYD33D	9337 234 00133
4402	Res, Zero ohm, Chip Jumper	3198 021 90020	6523	Diode, Signal, 1N4148.	3198 010 10010
4430	Res, Zero ohm, Chip Jumper	3198 021 90020	6524	Diode, Rect, 1N5062	3198 010 10120
4500	Res, Zero ohm, Chip Jumper	3198 021 90020	6525	Diode, Rect, 1N5062	3198 010 10120
4604	Res, 3K3, 5%, 1/10W, Metallized Glass	3198 021 53320	6526	Zener Diode, 22 volt	3198 020 52290
			6540	Zener Diode, 6.2 volt.	9331 668 30133
			6541	Zener Diode, 9.1 volt.	9322 150 08685
			6560	Diode, Rect, BYV29X-500.	9340 555 59127
			6561	Diode, Rect, SB340L-7010	9322 128 18682

S = Safety Part Be sure to use exact replacement part.

PRF227S325 (continued)

6563	Diode, Signal, BAS316	3198	010	10630	9521	Wire Jumper, 0.58MM.	3198	036	90010
6565	Diode, Signal, BAV70	9331	849	10215	9522	Wire Jumper, 0.58MM.	3198	036	90010
6566	Diode, Signal, 1N4148.	3198	010	10010	9524	Wire Jumper, 0.58MM.	3198	036	90010
6569	Diode, Signal, BAS316.	3198	010	10630	9525	Wire Jumper, 0.58MM.	3198	036	90010
6570	Zener Diode, 6.8 volt.	3198	020	56880	9528	Wire Jumper, 0.58MM.	3198	036	90010
6580	Diode, Signal, BAS316.	3198	010	10630	9610	Wire Jumper, 0.58MM.	3198	036	90010
6831	Diode, Signal, 1N4148.	3198	010	10010	9611	Coil, 27u.	3198	018	22790
6901	Res, Zero ohm, Chip Jumper	3198	021	90020	9612	Wire Jumper, 0.58MM.	3198	036	90010
7101	Transistor, NPN, BC847B.	3198	010	42030	9613	Wire Jumper, 0.58MM.	3198	036	90010
7200	IC, SM TDA9588H/N1/3/0485.	4835	310	57625	9614	Wire Jumper, 0.58MM.	3198	036	90010
7201	Transistor, NPN, BC847B.	3198	010	42030	9615	Wire Jumper, 0.58MM.	3198	036	90010
7204	Transistor, PNP, BC857B.	3198	010	42150	9616	Wire Jumper, 0.58MM.	3198	036	90010
7205	Transistor, PNP, BC857B.	3198	010	42150	9617	Wire Jumper, 0.58MM.	3198	036	90010
7400	FET, Power, STP3NC60FP	9322	157	37687	9618	Wire Jumper, 0.58MM.	3198	036	90010
7441	Transistor, PNP, BC857B.	3198	010	42150	9619	Wire Jumper, 0.58MM.	3198	036	90010
7443	Transistor, PNP, BC557B.	3198	020	40110	9620	Wire Jumper, 0.58MM.	3198	036	90010
7450	Transistor, PNP, PDTA114ET	3198	010	44010	9621	Wire Jumper, 0.58MM.	3198	036	90010
7460	Transistor, NPN, BU4508DX.	9340	550	92127	9622	Wire Jumper, 0.58MM.	3198	036	90010
7461	Transistor, NPN, BC337-25.	3198	020	43530	9623	Wire Jumper, 0.58MM.	3198	036	90010
7462	Transistor, NPN, PDTC143ZT	9340	547	00215	9624	Wire Jumper, 0.58MM.	3198	036	90010
7463	Transistor, PNP, BC327-25.	3198	020	43430	9625	Wire Jumper, 0.58MM.	3198	036	90010
7471	IC, TDA8359J/N2.	9352	701	64112	9626	Wire Jumper, 0.58MM.	3198	036	90010
7480	Transistor, NPN, BD135	3198	020	41010	9627	Wire Jumper, 0.58MM.	3198	036	90010
7482	Transistor, NPN, BD135	3198	020	41010	9628	Wire Jumper, 0.58MM.	3198	036	90010
S 7515	Optical Coupler, TCET1104(G)	9322	175	72667	9629	Wire Jumper, 0.58MM.	3198	036	90010
7520	IC, TEA1507P/N1.	9352	673	56112	9630	Wire Jumper, 0.58MM.	3198	036	90010
7521	FET Power STP8NC50FP	9322	160	72687	9631	Wire Jumper, 0.58MM.	3198	036	90010
7522	Transistor, NPN, BC847B(COL)	3198	010	42030	9632	Wire Jumper, 0.58MM.	3198	036	90010
7540	Transistor, NPN, BC547B(COL)	3198	020	40030	9633	Wire Jumper, 0.58MM.	3198	036	90010
7541	Transistor, NPN, PDTC114ET	9340	310	10215	9634	Wire Jumper, 0.58MM.	3198	036	90010
7542	Transistor, PNP, BC857B(COL)	3198	010	42150	9637	Wire Jumper, 0.58MM.	3198	036	90010
7560	IC, LE33CZ	9322	106	11676	9638	Wire Jumper, 0.58MM.	3198	036	90010
7561	Transistor, NPN, PDTC143ZT	9340	547	00215	9639	Wire Jumper, 0.58MM.	3198	036	90010
7562	Transistor, PNP, BC857B(COL)	3198	010	42150	9640	Wire Jumper, 0.58MM.	3198	036	90010
7564	Transistor, PNP, BC857B(COL)	3198	010	42150	9641	Wire Jumper, 0.58MM.	3198	036	90010
7580	Transistor, PNP, BC857B(COL)	3198	010	42150	9642	Wire Jumper, 0.58MM.	3198	036	90010
7602	IC, M24C16-WBN6.	9322	147	25682	9643	Wire Jumper, 0.58MM.	3198	036	90010
7606	Transistor, NPN, PDTC143ZT	9340	547	00215	9644	Wire Jumper, 0.58MM.	3198	036	90010
7801	IC, SM HEF4052BT	9333	729	50653	9645	Wire Jumper, 0.58MM.	3198	036	90010
7802	IC, SM HEF4052BT	9333	729	50653	9646	Wire Jumper, 0.58MM.	3198	036	90010
7831	IC, MSP3445G-PO-B8	9322	160	81682	9648	Wire Jumper, 0.58MM.	3198	036	90010
7901	IC, AN7522N.	9322	158	65667	9650	Wire Jumper, 0.58MM.	3198	036	90010
9001	Wire Jumper, 0.58MM.	3198	036	90010	9654	Wire Jumper, 0.58MM.	3198	036	90010
9171	Wire Jumper, 0.58MM.	3198	036	90010	9655	Wire Jumper, 0.58MM.	3198	036	90010
9172	Wire Jumper, 0.58MM.	3198	036	90010	9656	Wire Jumper, 0.58MM.	3198	036	90010
9173	Wire Jumper, 0.58MM.	3198	036	90010	9657	Wire Jumper, 0.58MM.	3198	036	90010
9175	Wire Jumper, 0.58MM.	3198	036	90010	9658	Wire Jumper, 0.58MM.	3198	036	90010
9176	Wire Jumper, 0.58MM.	3198	036	90010	9659	Wire Jumper, 0.58MM.	3198	036	90010
9178	Wire Jumper, 0.58MM.	3198	036	90010	9660	Wire Jumper, 0.58MM.	3198	036	90010
9179	Wire Jumper, 0.58MM.	3198	036	90010	9661	Wire Jumper, 0.58MM.	3198	036	90010
9181	Wire Jumper, 0.58MM.	3198	036	90010	9662	Wire Jumper, 0.58MM.	3198	036	90010
9182	Wire Jumper, 0.58MM.	3198	036	90010	9663	Wire Jumper, 0.58MM.	3198	036	90010
9183	Wire Jumper, 0.58MM.	3198	036	90010	9664	Wire Jumper, 0.58MM.	3198	036	90010
9192	Wire Jumper, 0.58MM.	3198	036	90010	9665	Wire Jumper, 0.58MM.	3198	036	90010
9193	Wire Jumper, 0.58MM.	3198	036	90010	9666	Wire Jumper, 0.58MM.	3198	036	90010
9406	Wire Jumper, 0.58MM.	3198	036	90010	9668	Wire Jumper, 0.58MM.	3198	036	90010
9407	Wire Jumper, 0.58MM.	3198	036	90010	9669	Wire Jumper, 0.58MM.	3198	036	90010
9408	Wire Jumper, 0.58MM.	3198	036	90010	9670	Wire Jumper, 0.58MM.	3198	036	90010
9409	Wire Jumper, 0.58MM.	3198	036	90010	9672	Wire Jumper, 0.58MM.	3198	036	90010
9410	Wire Jumper, 0.58MM.	3198	036	90010	9674	Wire Jumper, 0.58MM.	3198	036	90010
9411	Wire Jumper, 0.58MM.	3198	036	90010	9675	Wire Jumper, 0.58MM.	3198	036	90010
9412	Wire Jumper, 0.58MM.	3198	036	90010	9676	Wire Jumper, 0.58MM.	3198	036	90010
9413	Wire Jumper, 0.58MM.	3198	036	90010	9678	Wire Jumper, 0.58MM.	3198	036	90010
9414	Wire Jumper, 0.58MM.	3198	036	90010	9679	Wire Jumper, 0.58MM.	3198	036	90010
9415	Wire Jumper, 0.58MM.	3198	036	90010	9680	Wire Jumper, 0.58MM.	3198	036	90010
9416	Wire Jumper, 0.58MM.	3198	036	90010	9683	Wire Jumper, 0.58MM.	3198	036	90010
9417	Wire Jumper, 0.58MM.	3198	036	90010	9685	Wire Jumper, 0.58MM.	3198	036	90010
9418	Wire Jumper, 0.58MM.	3198	036	90010	9686	Wire Jumper, 0.58MM.	3198	036	90010
9419	Wire Jumper, 0.58MM.	3198	036	90010	9687	Wire Jumper, 0.58MM.	3198	036	90010
9421	Wire Jumper, 0.58MM.	3198	036	90010	9688	Wire Jumper, 0.58MM.	3198	036	90010
9422	Wire Jumper, 0.58MM.	3198	036	90010	9689	Wire Jumper, 0.58MM.	3198	036	90010
9423	Wire Jumper, 0.58MM.	3198	036	90010	9690	Wire Jumper, 0.58MM.	3198	036	90010
9424	Wire Jumper, 0.58MM.	3198	036	90010	9691	Wire Jumper, 0.58MM.	3198	036	90010
9425	Wire Jumper, 0.58MM.	3198	036	90010	9694	Wire Jumper, 0.58MM.	3198	036	90010
9426	Wire Jumper, 0.58MM.	3198	036	90010	9695	Wire Jumper, 0.58MM.	3198	036	90010
9427	Wire Jumper, 0.58MM.	3198	036	90010	9697	Wire Jumper, 0.58MM.	3198	036	90010
9453	Wire Jumper, 0.58MM.	3198	036	90010	9698	Wire Jumper, 0.58MM.	3198	036	90010
9460	Wire Jumper, 0.58MM.	3198	036	90010	9699	Wire Jumper, 0.58MM.	3198	036	90010
9463	Wire Jumper, 0.58MM.	3198	036	90010	9821	Wire Jumper, 0.58MM.	3198	036	90010
9500	Wire Jumper, 0.58MM.	3198	036	90010	9822	Wire Jumper, 0.58MM.	3198	036	90010
9501	Wire Jumper, 0.58MM.	3198	036	90010	9824	Wire Jumper, 0.58MM.	3198	036	90010
9503	Wire Jumper, 0.58MM.	3198	036	90010	9825	Wire Jumper, 0.58MM.	3198	036	90010
S 9506	Wire Jumper, 0.58MM.	3198	036	90010	9827	Wire Jumper, 0.58MM.	3198	036	90010
S 9507	Wire Jumper, 0.58MM.	3198	036	90010	9828	Wire Jumper, 0.58MM.	3198	036	90010
9510	Wire Jumper, 0.58MM.	3198	036	90010	9829	Wire Jumper, 0.58MM.	3198	036	90010
9512	Wire Jumper, 0.58MM.	3198	036	90010	9830	Wire Jumper, 0.58MM.	3198	036	90010
9513	Wire Jumper, 0.58MM.	3198	036	90010	9831	Wire Jumper, 0.58MM.	3198	036	90010
9514	Wire Jumper, 0.58MM.	3198	036	90010	9832	Wire Jumper, 0.58MM.	3198	036	90010
9515	Wire Jumper, 0.58MM.	3198	036	90010	9834	Wire Jumper, 0.58MM.	3198	036	90010
9516	Wire Jumper, 0.58MM.	3198	036	90010	9835	Wire Jumper, 0.58MM.	3198	036	90010
9518	Wire Jumper, 0.58MM.	3198	036	90010	9836	Wire Jumper, 0.58MM.	3198	036	90010
9520	Wire Jumper, 0.58MM.	3198	036	90010	9837	Wire Jumper, 0.58MM.	3198	036	90010

S = Safety Part. Be sure to use exact replacement part.

PRF227S325 (continued)

9838	Wire Jumper, 0.58MM.	3198	036	90010	6692	IR Receiver, TSOP1836UH3V.	9322	127	54667
9839	Wire Jumper, 0.58MM.	3198	036	90010					
9840	Wire Jumper, 0.58MM.	3198	036	90010					
9841	Wire Jumper, 0.58MM.	3198	036	90010					
9842	Wire Jumper, 0.58MM.	3198	036	90010					
9843	Wire Jumper, 0.58MM.	3198	036	90010					
9844	Wire Jumper, 0.58MM.	3198	036	90010					
9845	Wire Jumper, 0.58MM.	3198	036	90010					
9846	Wire Jumper, 0.58MM.	3198	036	90010					
9847	Wire Jumper, 0.58MM.	3198	036	90010					
9849	Wire Jumper, 0.58MM.	3198	036	90010					
9851	Wire Jumper, 0.58MM.	3198	036	90010					
9901	Wire Jumper, 0.58MM.	3198	036	90010					
9902	Wire Jumper, 0.58MM.	3198	036	90010					
9903	Wire Jumper, 0.58MM.	3198	036	90010					
9904	Wire Jumper, 0.58MM.	3198	036	90010					
9905	Wire Jumper, 0.58MM.	3198	036	90010					
9911	Wire Jumper, 0.58MM.	3198	036	90010					
9912	Wire Jumper, 0.58MM.	3198	036	90010					
9913	Wire Jumper, 0.58MM.	3198	036	90010					
9914	Wire Jumper, 0.58MM.	3198	036	90010					
9915	Wire Jumper, 0.58MM.	3198	036	90010					
9916	Wire Jumper, 0.58MM.	3198	036	90010					
9918	Wire Jumper, 0.58MM.	3198	036	90010					
9919	Wire Jumper, 0.58MM.	3198	036	90010					
9920	Wire Jumper, 0.58MM.	3198	036	90010					
9921	Wire Jumper, 0.58MM.	3198	036	90010					
9922	Wire Jumper, 0.58MM.	3198	036	90010					
9991	Wire Jumper, 0.58MM.	3198	036	90010					
9994	Wire Jumper, 0.58MM.	3198	036	90010					
9996	Wire Jumper, 0.58MM.	3198	036	90010					
9998	Wire Jumper, 0.58MM.	3198	036	90010					
CBA	Main Chassis Assembly.	3139	177	25731					

CRT Panel Parts (Part of Main Chassis)

	CRT Panel Parts (Part of Main Chassis)			
0244	Connector, 5 Pin	2422	025	04853
0245	Connector, 6 Pin	2422	025	04854
S 0254	CRT Socket, 9 Pin.	2422	500	80067
2330	Cap, 100n, 10%, 250v, Metallized Poly ester.	2222	368	90177
2340	Cap, 10u, 20%, 250v, Electrolytic.	2020	012	93495
2341	Cap, 3n3, 10%, 500v, Ceramic.	3198	019	43320
2342	Cap, 560p, 5%, 50v, Ceramic.	3198	016	05610
2344	Cap, 100n, +80/-20%, 25v, Ceramic.	3198	023	21040
2345	Cap, 1n, 10%, 500v, Ceramic.	3198	019	41020
2346	Cap, 1n2, 10%, 2000v, Ceramic.	2020	558	90488
3331	Res, 100 ohm, 5%, 1/6W, Carbon Film.	3198	011	01010
3332	Res, 1K, 20%, 1/2W, Carbon Film.	3198	013	01020
3333	Res, 100 ohm, 5%, 1/6W, Carbon Film.	3198	011	01010
3334	Res, 1K, 20%, 1/2W, Carbon Film.	3198	013	01020
3335	Res, 100 ohm, 5%, 1/6W, Carbon Film.	3198	011	01010
3336	Res, 1K, 20%, 1/2W, Carbon Film.	3198	013	01020
S 3340	Res, 10 ohm, 5%, 1/2W, Metal Film.	2306	207	03109
S 3341	Res, 1 ohm, 5%, 1/3W, Metal Film.	2306	204	03108
S 3342	Res, 1 ohm, 5%, 1/3W, Metal Film.	2306	204	03108
3343	Res, 1K5, 20%, 1/2W, Carbon Film.	3198	013	01520
3344	Res, 22 ohm, 5%, 1/6W, Carbon Film.	3198	011	02290
3345	VDR DC 1MA/ 50V S MAX 115V A	2322	593	13507
3346	Res, 22 ohm, 5%, 1/6W, Carbon Film.	3198	011	02290
3347	Res, Zero ohm, Chip Jumper	3198	021	90020
3350	Res, Zero ohm, Chip Jumper	3198	021	90020
3353	Res, Zero ohm, Chip Jumper	3198	021	90020
5342	Coil, 22u.	2422	535	97333
6331	Diode, Signal, BAV21	3198	010	10070
6332	Diode, Signal, BAS316.	3198	010	10630
6333	Diode, Signal, BAV21	3198	010	10070
6335	Diode, Signal, BAV21	3198	010	10070
7330	IC, TDA6107Q/N2.	9352	576	50112
9311	Wire Jumper, 0.58MM.	3198	036	90010
9341	Wire Jumper, 0.58MM.	3198	036	90010
9342	Wire Jumper, 0.58MM.	3198	036	90010
9343	Wire Jumper, 0.58MM.	3198	036	90010

Front Interface Panel Parts - 313912722301

	Front Interface Panel Parts - 3139127 22301			
CBA	Front Interface Panel Assembly	3139	127	22301
0211	2 pin Connector.	2422	025	16268
0212	2 pin Connector.	2422	025	16559
0214	5 Pin Connector.	2422	025	06353
1606	Tact Switch.	2422	128	02742
2691	Cap, 10u, 20%, 50v, Electrolytic	3198	025	51090
2698	Cap, 100n, 10%, 50v, Polyester	3198	014	01040
3500	Res, 3M3, 5%, Metallized Glass	2322	242	13335
3501	Res, 3M3, 5%, Metallized Glass	2322	242	13335
3685	Res, 560R, 5%, 1/6W, Carbon.	3198	011	05610
3691	Res, 330R, 5%, 1/6W, Carbon.	3198	011	03310
3693	Res, 220R, 5%, 1/6W, Carbon.	3198	011	02210
9001	Jumper	3198	036	90010
9002	Jumper	3198	036	90010
6691	LED, VS LTL-10224WHCR.	9322	050	99682

Side AV+HP Panel Parts - 313912725911

	Side AV+HP Panel Parts - 313912725911			
CBA	Side AV+HP Panel Assembly.	3139	127	25911
0232	1 Pin Headphone Socket	2422	026	04747
0250	3 Pin Cinch Socket	2422	026	04815
0251	6 Pin Connector.	2422	025	12482
0254	5 Pin Connector.	2422	025	12481
0255	4 Pin Connector.	2422	025	12479
2171	Cap, 470p, 10%, 50v, Ceramic	3198	019	14710
2172	Cap, 470p, 10%, 50v, Ceramic	3198	019	14710
2173	Cap, 470p, 10%, 50v, Ceramic	3198	019	14710
2174	Cap, 470p, 10%, 50v, Ceramic	3198	019	14710
2176	Cap, 470p, 10%, 50v, Ceramic	3198	019	14710
2177	Cap, 10u, 20%, 50v, Electrolytic	3198	025	51090
2178	Cap, 470p, 10%, 50v, Ceramic	3198	019	14710
2179	Cap, 10u, 20%, 50v, Electrolytic	3198	025	51090
3150	Res, 47K, 5%, 1/6W, Carbon Film.	3198	011	04730
3151	Res, 150 ohm, 5%, 1/6W, Carbon Film.	3198	011	01510
3152	Res, 47K, 5%, 1/6W, Carbon Film.	3198	011	04730
3153	Res, 150 ohm, 5%, 1/6W, Carbon Film.	3198	011	01510
3155	Res, 75 ohm, 5%, 1/6W, Carbon Film.	3198	011	07590
3156	Res, 120 ohm, 5%, 1/6W, Carbon Film.	3198	011	01210
3157	Res, 120 ohm, 5%, 1/6W, Carbon Film.	3198	011	01210
6161	Zener Diode, 6.8 volt.	3198	010	26880
9153	Jumper	3198	036	90010
9170	Jumper	3198	036	90010
9171	Jumper	3198	036	90010

Top Control Panel Parts - 313917722641

	Top Control Panel Parts - 31391772264			
CBA	Top Control Panel Assembly	3139	177	22641
0215	3 Pin Connector.	2422	025	09191
1091	Tact Switch.	2422	128	02742
1092	Tact Switch.	2422	128	02742
1093	Tact Switch.	2422	128	02742
1094	Tact Switch.	2422	128	02742
3088	Res, Zero ohm, 'Chip' Jumper	3198	021	90030
3089	Res, Zero ohm, 'Chip' Jumper	3198	021	90030
3091	Res, 560 ohm, 5%, 1/16W, Metallized G lass	3198	021	35610
3092	Res, 390 ohm, 5%, 1/16W, Metallized G lass	3198	021	33910
3093	Res, 560 ohm, 5%, 1/16W, Metallized G lass	3198	021	35610
3094	Res, 390 ohm, 5%, 1/16W, Metallized G lass	3198	021	33910
3095	Res, 3K3, 5%, 1/16W, Metallized Glass	3198	021	33320
3096	Res, 1K5, 5%, 1/16W, Metallized Glass	3198	021	31520
4092	Res, Zero ohm, 'Chip' Jumper	3198	021	90030
6092	Diode, Signal.	9340	453	90115

S = Safety Part Be sure to use exact replacement part.

SC3127N321 - Manual no. 7629

Cabinet & Accessory Parts

	Cabinet & Accessory Parts			
CBA	EPS(1B). Module, (ITV)	3139	137	22961
CBA	SP/LS (VERT). Module-ITV	3139	127	27372
S AC01	Mainscord.	3135	128	70011
AC02	Clip, Mainscord (Not Shown)	3135	014	09331
AC03	Battery, Zinc, 1.5V (2-Pack)	9299	000	65263
AC04	Cabinet, Back.	3135	124	00141
AC09	Clip, Anode Lead (3 Used) (Not Shown)	3135	014	04471
S AC10	CRT A68AJB82X11.	9301	891	90631
AC11	Customer Control Buttons	3139	124	30901
AC12	Coil, Degaussing	2422	549	43967
AC13	Holder, Degaussing (4 Used)	3135	013	01641
AC16	Owner's Manual	3135	015	16031
AC16A	DFU for SCAN 3 Card (Not Shown)	3135	015	21901
AC20	Cabinet, Front Assembly - Model SC3127N321.	3121	237	52391
AC20A	Cabinet Front, Lodging	3135	127	50011
AC20B	Chassis Guide.	3139	124	31381
AC20D	Light Guide.	3139	124	26461
AC20E	Nameplate.	3135	015	03571
AC20F	Power Button	3139	124	26444
AC20J	Speaker, 16R, 1W5 (2 Used)	2422	264	00343
AC20L	Chassis Guide (ITV)	3139	124	41711
AC22	Spring	3139	121	26231
AC23	Braid, Assembly.	3135	010	07311
AC24	Bracket, EPS Module, (ITV) (Not Shown)	3119	107	17241
AC25	Bracket, System (Not Shown)	3139	124	37932
AC26	Housing, Smart Port (Not Shown)	3135	124	00121
AC27	Bracket, Power Button.	3135	121	20061
AC30	Cover, Scan III (Not Shown)	3135	014	10551
REMOTE	Transmitter, Remote RC2572/01.	3139	228	88691

Main Chassis Assembly Parts

	Main Chassis Assembly Parts			
1000	Tuner, V+U PLL	2422	542	90113
7200	IC, SM TDA9587H/N1/3/0485.	4835	310	57618
0040	Cover, Cinch	3139	124	25551
0118	U-Cooling Plate.	3139	121	26731
0122	Heatsink, Line	3135	121	60041
0124	Heatsink, SOPS	3139	121	62201
0127	Socket, Fuse	2422	088	00271
0129	NTC, Holder.	3139	120	10151
0137	Spring	3139	121	24581
0138	IC-Spring.	3104	301	22081
0139	Spring for Bracket	3122	121	24786
0141	IC-Spring.	3104	301	22081
0152	Cable, DIP, 6 Pin, 400mm	3104	301	09421
0153	Cable, DIPMate, 5 Pin, 480mm	3139	121	07951
0211	Connector, 2 Pin	2422	025	16269
S 0212	Connector, 2 Pin	2422	025	16375
0213	Connector, 2 Pin	2422	025	16374
0217	Connector, 6 Pin	2422	025	12482
0218	Socket, Cinch, 3 Pin	2422	026	04742
S 0220	Connector, 5 Pin	2422	025	04853
S 0221	Connector, 4 Pin	2422	025	15503
S 0222	Connector, 2 Pin	2422	025	10646
0227	Connector, 6 Pin	2422	025	15849
0229	Connector, 3 Pin	2412	020	00725
0240	Connector, 7 Pin	2422	025	11244
0242	Connector, 7 Pin	2422	025	17042
S 0243	Connector, 6 Pin	2422	025	04854
0246	Connector, 5 Pin	2422	025	12481
0251	Connector, 3 Pin	2412	020	00725
0259	Connector, 5 Pin	2422	025	15848
0267	Connector, 3 Pin	2412	020	00725
1002	SAW Filter, 45MHz75, OFWML1971M	2422	549	44518
1200	Filter, Ceramic, 4MHz5	2422	549	40807
S 1500	Fuse, 4A, 250V, IEC.	2422	086	10914
S 1515	Relay, 12V, 5A G5PA-1.	2422	132	07444
1600	Switch, Tactile.	2422	128	02742
1601	Switch, Tactile.	2422	128	02742
1602	Switch, Tactile.	2422	128	02742
1603	Switch, Tactile.	2422	128	02742
1606	Switch, Tactile.	2422	128	02742
1660	Crystal, 12MHz000.	2422	543	01203
1861	Ceramic Resonator, 514KHz5, CSB503F58	2422	540	98344
2004	Cap, 47n, 10%, 16v, Ceramic.	3198	017	34730
2005	Cap, 10u, 20%, 50v, Electrolytic	3198	025	51090
2006	Cap, 470u, 20%, 16v, Electrolytic.	3198	025	24710
2007	Cap, 100n, +80/-20%, 25v, Ceramic.	3198	023	41040
2008	Cap, 100u, 20%, 25v, Electrolytic.	3198	025	31010
2009	Cap, 22n, 10%, 25v, Ceramic.	3198	017	32230
2105	Cap, 470p, 10%, 50v, Ceramic	3198	019	14710
2106	Cap, 470p, 10%, 50v, Ceramic	3198	019	14710
2135	Cap, 22p, 5%, 50v, Ceramic	3198	016	32290
2136	Cap, 22p, 5%, 50v, Ceramic	3198	016	32290
2181	Cap, 22p, 5%, 50v, Ceramic	3198	016	32290
2182	Cap, 330p, 10%, 50v, Ceramic	3198	017	33310
2183	Cap, 330p, 10%, 50v, Ceramic	3198	017	33310
2184	Res, Zero ohm, "Chip" Jumper	3198	021	90030
2202	Cap, 100n, +80/-20%, 25v, Ceramic.	3198	023	21040

2203	Cap, 100n, +80/-20%, 25v, Ceramic.	3198	023	41040
2204	Cap, 100n, +80/-20%, 25v, Ceramic.	3198	023	41040
2205	Cap, 220n, +80/-20%, 25v, Ceramic.	3198	023	22240
2208	Cap, 100n, +80/-20%, 25v, Ceramic.	3198	023	41040
2209	Cap, 4u7, 20%, 50v, Electrolytic	3198	025	54780
2210	Cap, 1u, +80/-20%, 16v, Ceramic.	3198	017	21050
2211	Cap, 470n, +80/-20%, 16v, Ceramic.	3198	017	24740
2213	Cap, 22n, 10%, 50v, Ceramic.	3198	017	02230
2214	Cap, 22n, 10%, 50v, Ceramic.	3198	017	02230
2215	Cap, 22n, 10%, 50v, Ceramic.	3198	017	02230
2216	Cap, 1000u, 20%, 16v, Electrolytic	3198	026	21020
2217	Cap, 22n, 10%, 25v, Ceramic.	3198	017	32230
2219	Cap, 220n, +80/-20%, 25v, Ceramic.	3198	023	22240
2220	Cap, 470n, 10%, 50v, Polyester	3198	014	04740
2221	Cap, 22n, +80/-20%, 50v, Ceramic	3198	017	22230
2226	Cap, 100p, 5%, 50v, Ceramic.	3198	016	31010
2227	Cap, 4n7, 10%, 50v, Ceramic.	3198	017	34720
2228	Cap, 820p, 5%, 25v, Ceramic.	3198	016	38210
2229	Cap, 10u, 20%, 50v, Electrolytic	3198	025	51090
2241	Cap, 1n5, 10%, 50v, Ceramic.	3198	017	31520
2242	Cap, 1u, +80/-20%, 10v, Ceramic.	3198	017	41050
2243	Cap, 2n2, 10%, 50v, Ceramic.	3198	017	02220
2244	Cap, 100n, 5%, 63v, Metalized Polyest er.	2222	370	76104
2245	Cap, 220n, +80/-20%, 16v, Ceramic.	3198	017	42240
2247	Cap, 1000u, 20%, 16v, Electrolytic	3198	026	21020
2248	Cap, 22n, 10%, 50v, Ceramic.	3198	017	02230
2249	Cap, 22n, 10%, 25v, Ceramic.	3198	017	32230
2250	Cap, 2u2, 20%, 50v, Electrolytic	3198	025	52280
2252	Cap, 1n, 5%, 50v, Ceramic.	3198	016	01020
2253	Cap, 1n, 5%, 50v, Ceramic.	3198	016	01020
2254	Res, Zero ohm, "Chip" Jumper	3198	021	90020
2405	Cap, 220u, 20%, 25v, Electrolytic.	3198	025	32210
2441	Cap, 1u, 20%, 50v, Electrolytic.	3198	025	51080
2443	Cap, 47n, +80/-20%, 50v, Ceramic	3198	017	24730
2444	Cap, 1u, 20%, 50v, Electrolytic.	3198	025	51080
2450	Cap, 47u, 20%, 160v, Electrolytic.	2020	021	91139
2451	Cap, 15n, 10%, 50v, Polyester.	3198	014	01530
2452	Res, Zero ohm, "Chip" Jumper	3198	021	90020
2455	Cap, 47u, 20%, 25v, Electrolytic	3198	025	34790
2457	Cap, 470n, 5%, 250v, Polypropylene	2222	479	90023
2458	Cap, 2u2, 20%, 100v, Electrolytic.	2020	021	91331
2459	Cap, 680p, 10%, 500v, Ceramic.	3198	019	46810
2460	Cap, 100p, 5%, 50v, Ceramic.	3198	016	01010
2462	Cap, 330n, 10%, 250v, Polypropylene	2022	333	00084
2463	Cap, 680p, 10%, 2000v, Ceramic	2020	558	90485
2465	Cap, 11n, 5%, 1600v, Polypropylene	2222	375	90155
2471	Cap, 100n, 10%, 50v, Polyester	3198	014	01040
2472	Cap, 150n, 10%, 63v, Polyester	2222	365	75154
2473	Cap, 100n, 10%, 63v, Polyester	2222	365	75104
2474	Cap, 2n2, 10%, 50v, Ceramic.	3198	017	02220
2475	Cap, 2n2, 10%, 50v, Ceramic.	3198	017	02220
2476	Cap, 4n7, 10%, 50v, Ceramic.	3198	017	04720
2480	Cap, 47u, 20%, 25v, Electrolytic	2020	021	90586
2481	Cap, 470p, 10%, 500v, Ceramic.	3198	019	44710
2482	Cap, 68n, 10%, 250v, Polyester	2222	347	90234
2485	Cap, 4u7, 20%, 250v, Electrolytic.	2020	021	90856
2486	Cap, 470u, 20%, 16v, Electrolytic.	2020	021	91577
2487	Cap, 47u, 20%, 50v, Electrolytic	2020	021	90854
2488	Cap, 1000u, 20%, 16v, Electrolytic	2020	021	91049
2489	Cap, 470u, 20%, 16v, Electrolytic.	2020	021	91577
2491	Cap, 1n, 10%, 500v, Ceramic.	3198	019	41020
2500	Cap, 470n, 20%, 275v, Polypropylene.	2222	336	29148
2501	Cap, 2n2, 10%, 1000v, Ceramic.	3198	019	52220
2502	Cap, 2n2, 10%, 1000v, Ceramic.	3198	019	52220
2503	Cap, 470u, 20%, 200v, Electrolytic	2020	024	90626
2505	Cap, 2n2, 10%, 1000v, Ceramic.	3198	019	52220
2507	Cap, 470p, 10%, 50v, Ceramic	3198	017	04710
2508	Cap, 470p, 10%, 1000v, Ceramic	3198	019	64710
S 2515	Cap, 1n5, 20%, v, Ceramic.	2020	554	90128
2520	Cap, 100n, 10%, 16v, Ceramic	3198	017	01040
2521	Cap, 22u, 20%, 50v, Electrolytic	3198	025	52290
2522	Cap, 100n, 10%, 16v, Ceramic	3198	017	01040
2523	Cap, 1n5, 10%, 2000v, Ceramic.	2020	558	90489
2525	Cap, 470p, 10%, 50v, Ceramic	3198	017	04710
2527	Cap, 2n2, 10%, 50v, Ceramic.	3198	017	02220
2528	Cap, 1n, 10%, 50v, Ceramic	3198	017	01020
2540	Cap, 10n, 10%, 50v, Ceramic.	3198	017	01030
2560	Cap, 680p, 10%, 1000v, Ceramic	3198	019	66810
2561	Cap, 100u, 20%, 160v, Electrolytic	2020	021	91654
2562	Cap, 1n, 10%, 50v, Ceramic	3198	019	11020
2563	Cap, 100n, 10%, 50v, Polyester	3198	014	01040
2564	Cap, 2u2, 20%, 25v, Electrolytic	2020	021	91353
2567	Cap, 47u, 20%, 25v, Electrolytic .			

SC3127N321 (continued)

2611	Cap, 1u, +80/-20%, 10v, Ceramic . . .	3198 017 41050	3226	Res, 560 ohm, 5%, 1/16W, Metalized Gl	
2612	Cap, 68p, 5%, 50v, Ceramic	3198 016 36890		ass.	3198 021 35610
2613	Cap, 68p, 5%, 50v, Ceramic	3198 016 36890	3232	Res, 2K2, 5%, 1/16W, Metalized Glass	3198 021 32220
2615	Cap, 1n, 10%, 50v, Ceramic	3198 017 01020	3235	Res, 100 ohm, 5%, 1/6W, Carbon Film.	3198 011 01010
2616	Cap, 470n, +80/-20%, 10v, Ceramic . .	3198 017 44740	3241	Res, 22K, 5%, 1/16W, Metalized Glass	3198 021 32230
2618	Cap, 1u, +80/-20%, 10v, Ceramic . . .	3198 017 41050	3242	Res, 12K, 5%, 1/10W, Metalized Glass	3198 021 51230
2619	Cap, 1u, +80/-20%, 16v, Ceramic . . .	3198 017 21050	3244	Res, 820 ohm, 5%, 1/6W, Carbon Film.	3198 011 08210
2691	Cap, 220u, 20%, 25v, Electrolytic . .	3198 025 32210	3245	Res, 39K, 1%, 1/8W, Metalized Glass.	2322 734 63903
2801	Cap, 22u, 20%, 50v, Electrolytic . .	3198 025 52290	3246	Res, 10K, 5%, 1/10W, Metalized Glass	3198 021 51030
2802	Cap, 220n, +80/-20%, 16v, Ceramic . .	3198 017 42240	3247	Res, 680K, 5%, 1/10W, Metalized Glass	3198 021 56840
2803	Cap, 2u2, +80/-20%, 10v, Ceramic . .	3198 017 22250	3248	Res, 33K, 5%, 1/10W, Metalized Glass	3198 021 53330
2804	Cap, 2u2, +80/-20%, 10v, Ceramic . .	3198 017 22250	3249	Res, 820 ohm, 5%, 1/6W, Carbon Film.	3198 011 08210
2805	Cap, 2u2, +80/-20%, 10v, Ceramic . .	3198 017 22250	3250	Res, 8K2, 5%, 1/6W, Carbon Film. . .	3198 011 08220
2806	Cap, 2u2, +80/-20%, 10v, Ceramic . .	3198 017 22250	3251	Res, 100 ohm, 5%, 1/6W, Carbon Film.	3198 011 01010
2861	Cap, 220n, +80/-20%, 16v, Ceramic . .	3198 017 42240	3256	Res, 1K, 5%, 1/10W, Metalized Glass.	3198 021 51020
2862	Cap, 2u2, +80/-20%, 10v, Ceramic . .	3198 017 22250	3257	Res, 10M, 5%, 1/10W, Metalized Glass	3198 021 51060
2864	Cap, 2u2, 20%, 50v, Electrolytic . .	3198 025 52280	3258	Res, 100K, 5%, 1/10W, Metalized Glass	3198 021 51040
2865	Cap, 2u2, 20%, 50v, Electrolytic . .	3198 025 52280	3259	Res, 470K, 5%, 1/10W, Metalized Glass	3198 021 54740
2866	Cap, 2u2, +80/-20%, 10v, Ceramic . .	3198 017 22250	3441	Res, 100 ohm, 5%, 1/10W, Metalized Gl	
2867	Cap, 3n3, 10%, 50v, Ceramic	3198 017 33320		ass.	3198 021 51010
2868	Cap, 150p, 5%, 50v, Ceramic	3198 016 31510	3442	Res, Zero ohm, "Chip" Jumper	3198 021 90020
2869	Cap, 47n, 10%, 50v, Polyester.	3198 014 04730	3443	Res, 1M, 5%, 1/10W, Metalized Glass.	3198 021 51050
2870	Cap, 47n, 10%, 50v, Polyester.	3198 014 04730	3445	Res, 15K, 5%, 1/6W, Carbon Film. . .	3198 011 01530
2871	Cap, 150p, 5%, 50v, Ceramic	3198 016 31510	3446	Res, 5K6, 5%, 1/6W, Carbon Film. . .	3198 011 05620
2872	Cap, 3n3, 10%, 50v, Ceramic	3198 017 33320	3447	Res, 180 ohm, 5%, 1/6W, Carbon Film.	3198 011 01810
2873	Cap, 2u2, +80/-20%, 10v, Ceramic . .	3198 017 22250	3448	Res, 820 ohm, 5%, 1/6W, Carbon Film.	3198 011 08210
2874	Cap, 100u, 20%, 25v, Electrolytic . .	3198 025 31010	3449	Res, 68 ohm, 5%, 1/6W, Carbon Film .	3198 011 06890
2875	Cap, 100u, 20%, 25v, Electrolytic . .	3198 025 31010	3450	Res, 33 ohm, 5%, 1/6W, Carbon Film.	3198 011 03390
2876	Cap, 4u7, 20%, 50v, Electrolytic . .	3198 025 54780	S 3451	Res, 10 ohm, 5%, 1/3W, Metal Film. . .	2306 204 03109
2877	Cap, 10u, 20%, 50v, Electrolytic . .	3198 025 51090	3452	Res, 10K, 1%, 3/5W, Metal Film . . .	2312 915 11003
2878	Cap, 1u, 20%, 50v, Electrolytic . . .	3198 025 51080	3453	Res, 1K, 5%, 1/6W, Carbon Film . . .	3198 011 01020
2879	Cap, 4n7, 10%, 50v, Ceramic	3198 017 34720	3454	Res, 3K9, 1%, 3/5W, Metal Film . . .	2312 915 13902
2880	Cap, 22n, 10%, 25v, Ceramic	3198 017 32230	3455	Res, 6R8, 5%, 1 1/3W, Metal Film . . .	3198 012 26880
2883	Cap, 470u, 20%, 16v, Electrolytic . .	3198 025 24710	3456	Res, Zero ohm, "Chip" Jumper	3198 021 90020
2884	Cap, 2u2, 20%, 50v, Electrolytic . .	3198 025 52280	3457	Res, Zero ohm, "Chip" Jumper	3198 021 90020
2885	Cap, 220n, 10%, 50v, Polyester	3198 014 02240	3458	Res, 1K, 5%, 1/6W, Carbon Film . . .	3198 011 01020
2886	Cap, 220n, +80/-20%, 16v, Ceramic . .	3198 017 42240	3459	Res, 15K, 5%, 1 1/3W, Metal Film . . .	3198 012 21530
2892	Cap, 4u7, +80/-20%, 10v, Ceramic . .	2020 552 96305	3460	Res, 3K9, 5%, 1/6W, Carbon Film. . .	3198 011 03920
2893	Cap, 4u7, +80/-20%, 10v, Ceramic . .	2020 552 96305	3463	Res, 33 ohm, 5%, 1/6W, Carbon Film .	3198 011 03390
2902	Cap, 220u, 20%, 50v, Electrolytic . .	3198 026 52210	3465	Res, 27K, 1%, 3/5W, Metal Film . . .	2312 915 12703
2903	Cap, 1u, 20%, 50v, Electrolytic . . .	3198 025 51080	3468	Res, 220 ohm, 5%, 1/6W, Carbon Film.	3198 011 02210
2904	Cap, 470n, +80/-20%, 16v, Ceramic . .	3198 017 24740	3469	Res, 3K3, 5%, 1/6W, Carbon Film. . .	3198 011 03320
2905	Cap, 1n, 10%, 50v, Ceramic	3198 017 31020	3470	Res, 330K, 5%, 1/10W, Metalized Glass	3198 021 53340
2906	Cap, 470n, +80/-20%, 16v, Ceramic . .	3198 017 24740	3471	Res, 3R3, 1%, 3/5W, Metal Film . . .	2312 915 13308
2907	Cap, 1n, 10%, 50v, Ceramic	3198 017 31020	3472	Res, 3R3, 1%, 3/5W, Metal Film . . .	2312 915 13308
2908	Cap, 10u, 20%, 50v, Electrolytic . .	3198 025 51090	3473	Res, 3R3, 1%, 3/5W, Metal Film . . .	2312 915 13308
2910	Cap, 3n3, 10%, 50v, Ceramic	3198 017 33320	3474	Res, 2K2, 1%, 3/5W, Metal Film . . .	2312 915 12202
2911	Cap, 3n3, 10%, 50v, Ceramic	3198 017 33320	3475	Res, 2K2, 1%, 3/5W, Metal Film . . .	2312 915 12202
2950	Cap, 330p, 5%, 50v, Ceramic	3198 016 33310	3477	Res, 150 ohm, 5%, 1/6W, Carbon Film.	3198 011 01510
3000	Res, 100 ohm, 5%, 1/6W, Carbon Film.	3198 011 01010	3478	Res, 150 ohm, 5%, 1/6W, Carbon Film.	3198 011 01510
3001	Res, 100 ohm, 5%, 1/6W, Carbon Film.	3198 011 01010	3479	Res, 2K7, 5%, 1/10W, Metalized Glass	3198 021 52720
3002	Res, Zero ohm, "Chip" Jumper	3198 021 90030	3480	Res, 1R5, 5%, 1/4W, Carbon Film. . .	2120 101 74158
3003	Res, 1K5, 5%, 1/16W, Metalized Glass	3198 021 31520	3481	Res, 12K, 1%, 3/5W, Metal Film . . .	2312 915 11203
3004	Res, 8K2, 5%, 1/16W, Metalized Glass	3198 021 38220	3482	Res, 12K, 1%, 3/5W, Metal Film . . .	2312 915 11203
3005	Res, 100 ohm, 5%, 1/6W, Carbon Film.	3198 011 01010	3484	Res, 3K9, 5%, 1/6W, Carbon Film. . .	3198 011 03920
3104	Res, Zero ohm, "Chip" Jumper	3198 021 90030	3486	Res, 33 ohm, 5%, 2 1/2W, Metal Film.	3198 012 33390
3106	Res, Zero ohm, "Chip" Jumper	3198 021 90030	3488	Res, 4R7, 5%, 1/2W, Metal Film . . .	2306 207 03478
3136	Res, 100 ohm, 5%, 1/6W, Carbon Film.	3198 011 01010	3490	Res, 8K2, 5%, 1/6W, Carbon Film. . .	3198 011 08220
3138	Res, 100 ohm, 5%, 1/6W, Carbon Film.	3198 011 01010	3492	Res, 1K, 5%, 1/10W, Metalized Glass.	3198 021 51020
3151	Res, 680 ohm, 5%, 1/16W, Metalized Gl	3198 021 36810	3493	Res, 6R8, 5%, 1/3W, Metal Film . . .	2306 204 03688
	ass.	3198 021 36810	3494	Res, 4R7, 5%, 1/2W, Metal Film . . .	2306 207 03478
3152	Res, 680 ohm, 5%, 1/16W, Metalized Gl	3198 021 36810	3495	Res, 22K, 5%, 1/10W, Metalized Glass	3198 021 52230
	ass.	3198 021 36810	3496	Res, 100K, 5%, 1/10W, Metalized Glass	3198 021 51040
3153	Res, 680 ohm, 5%, 1/16W, Metalized Gl	3198 021 36810	3497	Res, 100K, 5%, 1/10W, Metalized Glass	3198 021 51040
	ass.	3198 021 36810	3498	Res, 12K, 5%, 1/10W, Metalized Glass	3198 021 51230
3181	Res, 75 ohm, 5%, 1/6W, Carbon Film .	3198 011 07590	3499	Res, 10K, 5%, 1/10W, Metalized Glass	3198 021 51030
3182	Res, 100 ohm, 5%, 1/6W, Carbon Film.	3198 011 01010	S 3500	Res, 3M3, 5%, 1/2W, Metalized Glass.	2322 242 13335
3183	Res, 150 ohm, 5%, 1/6W, Carbon Film.	3198 011 01510	S 3501	Res, 3M3, 5%, 1/2W, Metalized Glass.	2322 242 13335
3184	Res, 47K, 5%, 1/16W, Metalized Glass	3198 021 34730	S 3504	PTC, DC, 120V, P3020 B.	2120 661 00025
3185	Res, 150 ohm, 5%, 1/6W, Carbon Film.	3198 011 01510	S 3506	Res, 1M5, 5%, 1/2W, Metalized Glass.	2322 242 13155
3186	Res, 47K, 5%, 1/16W, Metalized Glass	3198 021 34730	S 3507	Surge Protector.	2422 549 43073
3200	Res, 390 ohm, 5%, 1/6W, Carbon Film.	3198 011 03910	S 3508	Res, 220 ohm, 20%, 1/2W, Carbon Film	3198 013 02210
3201	Res, 100 ohm, 5%, 1/6W, Carbon Film.	3198 011 01010	S 3510	NTC, DC, B57237, 3W1, 4R7, 20% . . .	2122 612 00056
3202	Res, 100 ohm, 5%, 1/6W, Carbon Film.	3198 011 01010	3519	Res, 270 ohm, 5%, 1/6W, Carbon Film.	3198 011 02710
3203	Res, 100 ohm, 5%, 1/6W, Carbon Film.	3198 011 01010	3520	Res, 1K2, 5%, 1/10W, Metalized Glass	3198 021 51220
3204	Res, 22K, 5%, 1/6W, Carbon Film. . .	3198 011 02230	3521	Res, 4R7, 5%, 1/6W, Carbon Film. . .	3198 011 04780
3206	Res, 33K, 5%, 1/16W, Metalized Glass	3198 021 33330	3522	Res, 330K, 1%, 1/8W, Metalized Glass	2322 734 63304
3207	Res, 1K, 5%, 1/6W, Carbon Film . . .	3198 011 01020	S 3523	Res, 100 ohm, 5%, 1/3W, Metal Film .	2306 204 03101
3208	Res, 220 ohm, 5%, 1/16W, Metalized Gl	3198 021 32210	3524	Res, 56K, 5%, 1/10W, Metalized Glass	3198 021 55630
	ass.	3198 021 32210	3525	Res, 1K, 5%, 1/10W, Metalized Glass.	3198 021 51020
3209	Res, 68 ohm, 5%, 1/16W, Metalized Gla	3198 021 36890	3526	Res, 0R1, 5%, 3/5W, Metal Film . . .	3198 012 11070
	ss.	3198 021 36890	3527	Res, 0R33, 5%, 3/5W, Metal Film. . .	3198 012 13370
3212	Res, 470 ohm, 5%, 1/16W, Metalized Gl		3528	Res, Zero ohm, "Chip" Jumper	3198 021 90020
	ass.	3198 021 34710	3529	Res, 47K, 5%, 1/10W, Metalized Glass	3198 021 54730
3213	Res, 560 ohm, 5%, 1/6W, Carbon Film.	3198 011 05610	3530	Res, 10K, 5%, 1/10W, Metalized Glass	3198 021 51030
3217	Res, 330K, 5%, 1/16W, Metalized Glass	3198 021 33340	3531	Res, 4K7, 5%, 1/10W, Metalized Glass	3198 021 54720
3218	Res, 82K, 5%, 1/16W, Metalized Glass	3198 021 38230	S 3532	Res, 2K2, 5%, 1/3W, Metal Film . . .	2306 204 03222
3219	Res, 2K2, 5%, 1/16W, Metalized Glass	3198 021 32220	3541	Res, 470 ohm, 5%, 1/10W, Metalized Gl	
3220	Res, 100 ohm, 5%, 1/6W, Carbon Film.	3198 011 01010		ass.	3198 021 54710
3221	Res, 560 ohm, 5%, 1/6W, Carbon Film.	3198 011 05610	3542	Res, 1K5, 5%, 1/10W, Metalized Glass	3198 021 51520
3222	Res, 100 ohm, 5%, 1/6W, Carbon Film.	3198 011 01010	3543	Res, 82K, 1%, 3/5W, Metal Film . . .	2312 915 18203
3223	Res, 100 ohm, 5%, 1/10W, Metalized Gl	3198 021 51010	3544	Res, 4K7, 1%, 1/8W, Metalized Glass.	2322 734 64702
	ass.	3198 021 51010			

S = Safety Part Be sure to use exact replacement part.

SC3127N321 (continued)

3545	Res, 270K, 5%, 1/8W, Metalized Glass	2322	730	61274	4622	Res, Zero ohm, "Chip" Jumper	3198	021	90020
3548	Res, 15K, 5%, 1/10W, Metalized Glass	3198	021	51530	4623	Res, Zero ohm, "Chip" Jumper	3198	021	90020
3558	Res, 330 ohm, 5%, 1W, Metal Film	3198	012	13310	4691	Res, Zero ohm, "Chip" Jumper	3198	021	90030
3561	Res, 100 ohm, 5%, 1/6W, Carbon Film	3198	011	01010	4692	Res, Zero ohm, "Chip" Jumper	3198	021	90030
3562	Res, 12K, 5%, 1/10W, Metalized Glass	3198	021	51230	4693	Res, Zero ohm, "Chip" Jumper	3198	021	90030
3563	Res, 5K6, 5%, 1/10W, Metalized Glass	3198	021	55620	4696	Res, Zero ohm, "Chip" Jumper	3198	021	90030
3564	Res, 0R1, 5%, 1 1/3W, Metal Film	3198	012	21070	4811	Res, Zero ohm, "Chip" Jumper	3198	021	90030
3567	Res, 3K3, 5%, 1/16W, Metalized Glass	3198	021	33320	4861	Res, Zero ohm, "Chip" Jumper	3198	021	90030
3580	Res, 47K, 5%, 1/10W, Metalized Glass	3198	021	54730	4863	Res, Zero ohm, "Chip" Jumper	3198	021	90030
3594	Res, 330 ohm, 5%, 1/10W, Metalized Gl ass.	3198	021	53310	4901	Res, Zero ohm, "Chip" Jumper	3198	021	90030
3595	Res, 220K, 5%, 1/10W, Metalized Glass	3198	021	52240	4903	Res, Zero ohm, "Chip" Jumper	3198	021	90030
3596	Res, 220K, 5%, 1/10W, Metalized Glass	3198	021	52240	4982	Res, Zero ohm, "Chip" Jumper	3198	021	90020
3603	Res, 100 ohm, 5%, 1/6W, Carbon Film	3198	011	01010	5001	Coil, 27u.	3198	018	22790
3604	Res, 100 ohm, 5%, 1/6W, Carbon Film	3198	011	01010	5002	Coil, 820n	3198	018	18270
3605	Res, 4K7, 5%, 1/16W, Metalized Glass	3198	021	34720	5201	Coil, 6u8.	3198	018	16880
3606	Res, 2K2, 5%, 1/6W, Carbon Film	3198	011	02220	5202	Wire Jumper, 0.58MM.	3198	036	90010
3607	Res, 2K2, 5%, 1/6W, Carbon Film	3198	011	02220	5204	Fixed, Inductor, 100MHZ, 80 ohm.	3198	018	90020
3608	Res, 100 ohm, 5%, 1/6W, Carbon Film	3198	011	01010	5205	Fixed, Inductor, 100MHZ, 80 ohm.	3198	018	90020
3609	Res, 1K, 5%, 1/6W, Carbon Film	3198	011	01020	5206	Fixed, Inductor, 100MHZ, 80 ohm.	3198	018	90020
3610	Res, 8K2, 5%, 1/6W, Carbon Film	3198	011	08220	5241	Wire Jumper, 0.58MM.	3198	036	90010
3611	Res, 100 ohm, 5%, 1/16W, Metalized Gl ass.	3198	021	31010	5242	Coil, 10u.	3198	018	11090
3618	Res, 6K8, 5%, 1/6W, Carbon Film	3198	011	06820	S 5445	Transformer, SLOT, 1342.0043B Y.	2422	531	02506
3622	Res, 100 ohm, 5%, 1/10W, Metalized Gl ass.	3198	021	51010	5451	Coil, 33u.	3198	018	73390
3623	Res, 4K7, 5%, 1/16W, Metalized Glass	3198	021	34720	5452	Fixed, Inductor, 100MHZ, 80 ohm.	3198	018	90020
3624	Res, 100 ohm, 5%, 1/6W, Carbon Film	3198	011	01010	5457	Coil, 42u.	2422	535	94865
3625	Res, 100 ohm, 5%, 1/6W, Carbon Film	3198	011	01010	5461	Transformer, Signal Driver, SC10015-0 0 B.	2422	531	02465
3626	Res, 4K7, 5%, 1/16W, Metalized Glass	3198	021	34720	5471	Coil, 3u3.	3198	018	73380
3627	Res, 4K7, 5%, 1/16W, Metalized Glass	3198	021	34720	5472	Coil, 3u3.	3198	018	23380
3628	Res, 10K, 5%, 1/16W, Metalized Glass	3198	021	31030	5480	Coil, 39u.	2422	535	97336
3630	Res, 2K2, 5%, 1/16W, Metalized Glass	3198	021	32220	S 5501	Filter, Mains, 5mH, 2A	2422	549	43432
3632	Res, Zero ohm, "Chip" Jumper	3198	021	90030	S 5520	Transformer, Layer, SS39009-04 B	2422	531	02459
3636	Res, 100 ohm, 5%, 1/10W, Metalized Gl ass.	3198	021	51010	5521	Fixed, Inductor, 100MHZ, 50R.	3198	018	90010
3639	Res, Zero ohm, "Chip" Jumper	3198	021	90030	5560	Fixed, Inductor, 100MHZ, 50R.	3198	018	90010
3681	Res, 390 ohm, 5%, 1/16W, Metalized Gl ass.	3198	021	33910	5561	Coil, 27u.	3198	018	22790
3682	Res, 3K3, 5%, 1/16W, Metalized Glass	3198	021	33320	5562	Fixed, Inductor, 100MHZ, 80 ohm.	3198	018	90020
3683	Res, 390 ohm, 5%, 1/16W, Metalized Gl ass.	3198	021	33910	5564	Fixed, Inductor, 100MHZ, 50R.	3198	018	90010
3684	Res, 560 ohm, 5%, 1/16W, Metalized Gl ass.	3198	021	35610	5602	Coil, 5u6.	3198	018	15680
3685	Res, 560 ohm, 5%, 1/16W, Metalized Gl ass.	3198	021	35610	5603	Coil, 5u6.	3198	018	15680
3686	Res, 1K5, 5%, 1/16W, Metalized Glass	3198	021	31520	5604	Coil, 5u6.	3198	018	15680
3691	Res, 330 ohm, 5%, 1/16W, Metalized Gl ass.	3198	021	33310	5861	Coil, 10u.	3198	018	11090
3693	Res, 220 ohm, 5%, 1/16W, Metalized Gl ass.	3198	021	32210	6001	Zener Diode, 33 volt	3198	010	23390
3801	Res, 220 ohm, 5%, 1/6W, Carbon Film	3198	011	02210	6201	Diode, Signal, BAS316.	3198	010	10630
3802	Res, 1K, 5%, 1/6W, Carbon Film	3198	011	01020	6202	Diode, Signal, BAS316.	3198	010	10630
3861	Res, 100K, 5%, 1/16W, Metalized Glass	3198	021	31040	6206	Zener Diode, 6.8 volt.	3198	020	56880
3862	Res, 15K, 5%, 1/16W, Metalized Glass	3198	021	31530	6445	Zener Diode, 10 volt	3198	020	51090
3863	Res, 1K2, 5%, 1/16W, Metalized Glass	3198	021	31220	6447	Diode, Signal, 1N4148.	3198	010	10010
3864	Res, 100 ohm, 5%, 1/16W, Metalized Gl ass.	3198	021	31010	6448	Zener Diode, 6.2 volt.	9331	668	30133
3865	Res, 100 ohm, 5%, 1/6W, Carbon Film	3198	011	01010	6449	Diode, Signal, BAV99	3198	010	10620
3866	Res, 100 ohm, 5%, 1/6W, Carbon Film	3198	011	01010	6453	Zener Diode, 6.8 volt.	3198	020	56880
3867	Res, 3K3, 5%, 1/16W, Metalized Glass	3198	021	33320	6460	Diode, Rect, BY228/24	9340	559	50112
3891	Res, 100 ohm, 5%, 1/16W, Metalized Gl ass.	3198	021	31010	6461	Diode, Rect, RGP30J-L7004	9338	617	60682
3893	Res, 270 ohm, 5%, 1/16W, Metalized Gl ass.	3198	021	32710	6462	Zener Diode, 9.1 volt.	9331	177	80133
3894	Res, 100 ohm, 5%, 1/16W, Metalized Gl ass.	3198	021	31010	6465	Diode, Signal, BAV21	3198	010	10070
3896	Res, 270 ohm, 5%, 1/16W, Metalized Gl ass.	3198	021	32710	6466	Diode, Signal, BAV21	3198	010	10070
3901	Res, 1K, 5%, 1/16W, Metalized Glass	3198	021	31020	6467	Diode, Signal, BAS316.	3198	010	10630
3902	Res, 3K3, 5%, 1/16W, Metalized Glass	3198	021	33320	6468	Diode, Signal, BAS316.	3198	010	10630
3903	Res, 3K3, 5%, 1/16W, Metalized Glass	3198	021	33320	6469	Diode, Rect, BYD33J	9337	234	20133
3904	Res, 10K, 5%, 1/16W, Metalized Glass	3198	021	31030	6470	Diode, Signal, BAV99	3198	010	10620
3905	Res, 3K3, 5%, 1/16W, Metalized Glass	3198	021	33320	6476	Zener Diode, 15 volt	3198	010	21590
3906	Res, 10K, 5%, 1/16W, Metalized Glass	3198	021	31030	6481	Zener Diode, 5.6 volt.	3198	010	25680
3907	Res, 8K2, 5%, 1/16W, Metalized Glass	3198	021	38220	6482	Zener Diode, 9.1 volt.	9331	177	80133
4001	Res, Zero ohm, "Chip" Jumper	3198	021	90030	6483	Zener Diode, 33 volt	3198	010	23390
4002	Res, Zero ohm, "Chip" Jumper	3198	021	90030	6485	Diode, Rect, BYD33J	9337	234	20133
4181	Res, Zero ohm, "Chip" Jumper	3198	021	90030	6486	Diode, Rect, EGP20DL-5100	9322	164	42682
4214	Res, Zero ohm, "Chip" Jumper	3198	021	90030	6487	Diode, Rect, BYD33D	9337	234	00133
4216	Res, Zero ohm, "Chip" Jumper	3198	021	90030	6488	Diode, Rect, EGP20DL-5100	9322	164	42682
4217	Res, Zero ohm, "Chip" Jumper	3198	021	90030	6500	Diode, Bridge Rect, GBU4JL-7002	9322	132	55667
4401	Res, Zero ohm, "Chip" Jumper	3198	021	90020	6520	Diode, Rect, BYD33D	9337	234	00133
4402	Res, Zero ohm, "Chip" Jumper	3198	021	90020	6523	Diode, Signal, 1N4148.	3198	010	10010
4430	Res, Zero ohm, "Chip" Jumper	3198	021	90020	6524	Diode, Rect, 1N5062	3198	010	10120
4500	Res, Zero ohm, "Chip" Jumper	3198	021	90020	6525	Diode, Rect, 1N5062	3198	010	10120
4604	Res, 3K3, 5%, 1/10W, Metalized Glass	3198	021	53320	6526	Zener Diode, 22 volt	3198	020	52290
4613	Res, Zero ohm, "Chip" Jumper	3198	021	90020	6540	Zener Diode, 6.2 volt.	9331	668	30133
4614	Res, Zero ohm, "Chip" Jumper	3198	021	90020	6541	Zener Diode, 10 volt	3198	020	51090
4615	Res, Zero ohm, "Chip" Jumper	3198	021	90030	6560	Diode, Rect, BYV29X-500	9340	555	59127
4617	Res, Zero ohm, "Chip" Jumper	3198	021	90020	6561	Diode, Rect, SB340L-7010.	9322	128	18682
4619	Res, Zero ohm, "Chip" Jumper	3198	021	90020	6563	Diode, Signal, BAS316.	3198	010	10630
					6565	Diode, Signal, BAV70	9331	849	10215
					6580	Diode, Signal, BAS316.	3198	010	10630
					6681	Diode, Signal, BAT85	9336	247	60133
					6691	LED, LTL-10224WHCR	9322	050	99682
					6692	IR Receiver, TSOP1836UH3V	9322	127	54667
					6901	Res, Zero ohm, "Chip" Jumper	3198	021	90020
					6903	Diode, Rect, 1N5062	3198	010	10120
					7200	IC, TDA9588H/N1/3.	9352	683	54557
					7201	Transistor, NPN, BC847B.	3198	010	42030
					7204	Transistor, PNP, BC857B.	3198	010	42150
					7205	Transistor, PNP, BC857B.	3198	010	42150
					7441	Transistor, PNP, BC857B.	3198	010	42150
					7443	Transistor, PNP, BC557B.	3198	020	40110
					7450	Transistor, PNP, PDA114ET	3198	010	44010

S = Safety Part Be sure to use exact replacement part.

SC3127N321 (continued)

9911	Wire Jumper, 0.58MM.	3198	036	90010	3717	Res, 10K, 5%, 1/10W, Metalized Glass	3198	021	51030
9912	Wire Jumper, 0.58MM.	3198	036	90010	3718	Res, 10K, 5%, 1/10W, Metalized Glass	3198	021	51030
9913	Wire Jumper, 0.58MM.	3198	036	90010	3719	Res, 4K7, 5%, 1/10W, Metalized Glass	3198	021	54720
9914	Wire Jumper, 0.58MM.	3198	036	90010	3720	Res, 10K, 5%, 1/10W, Metalized Glass	3198	021	51030
9915	Wire Jumper, 0.58MM.	3198	036	90010	3721	Res, 4K7, 5%, 1/10W, Metalized Glass	3198	021	54720
9916	Wire Jumper, 0.58MM.	3198	036	90010	3722	Res, 10K, 5%, 1/10W, Metalized Glass	3198	021	51030
9918	Wire Jumper, 0.58MM.	3198	036	90010	3723	Res, 33K, 5%, 1/10W, Metalized Glass	3198	021	53330
9919	Wire Jumper, 0.58MM.	3198	036	90010	3724	Res, 33K, 5%, 1/10W, Metalized Glass	3198	021	53330
9920	Wire Jumper, 0.58MM.	3198	036	90010	3725	Res, 68K, 5%, 1/10W, Metalized Glass	3198	021	56830
9921	Wire Jumper, 0.58MM.	3198	036	90010	3726	Res, 10K, 5%, 1/10W, Metalized Glass	3198	021	51030
9991	Wire Jumper, 0.58MM.	3198	036	90010	3727	Res, 4K7, 5%, 1/10W, Metalized Glass	3198	021	54720
9993	Wire Jumper, 0.58MM.	3198	036	90010	3728	Res, 10K, 5%, 1/10W, Metalized Glass	3198	021	51030
9994	Wire Jumper, 0.58MM.	3198	036	90010	3729	Res, 10K, 5%, 1/10W, Metalized Glass	3198	021	51030
9996	Wire Jumper, 0.58MM.	3198	036	90010	3731	Res, 1K8, 5%, 1/10W, Metalized Glass	3198	021	51820
9997	Wire Jumper, 0.58MM.	3198	036	90010	3733	Res, 47K, 5%, 1/10W, Metalized Glass	3198	021	54730
9998	Wire Jumper, 0.58MM.	3198	036	90010	3734	Res, 47K, 5%, 1/10W, Metalized Glass	3198	021	54730
CBA	Main Chassis Assembly.	3139	177	28141	3735	Res, 75 ohm, 5%, 1/10W, Metalized Glass	3198	021	57590

CRT Panel Parts (Part of Main Chassis)

CRT Panel Parts (Part of Main Chassis)					3736				
S 0244	Connector, 5 Pin	2422	025	04853	3740	Res, 220 ohm, 20%, 1/2W, Carbon Film	3198	013	02210
S 0245	Connector, 6 Pin	2422	025	04854	3741	Res, 1K, 5%, 1/10W, Metalized Glass	3198	021	51020
S 0254	Socket, CRT, 9 Pin, N-Neck	2422	500	80076	3742	Res, 4K7, 5%, 1/10W, Metalized Glass	3198	021	54720
2330	Cap, 100n, 10%, 250v, Metalized Polypropylene	2222	368	90177	3743	Res, 100 ohm, 5%, 1/10W, Glass	3198	021	51010
2340	Cap, 10u, 20%, 250v, Electrolytic	2020	012	93495	3744	Res, 100 ohm, 5%, 1/10W, Glass	3198	021	51010
2341	Cap, 3n3, 10%, 500v, Ceramic	3198	019	43320	4004	Res, Zero ohm, "Chip" Jumper	3198	021	90020
2342	Cap, 560p, 5%, 50v, Ceramic	3198	016	05610	4005	Res, Zero ohm, "Chip" Jumper	3198	021	90020
2343	Cap, 3n3, 10%, 2000v, Ceramic	2020	558	90529	4006	Res, Zero ohm, "Chip" Jumper	3198	021	90020
2344	Cap, 100n, 20%, 25v, Ceramic	3198	023	21040	4008	Res, Zero ohm, "Chip" Jumper	3198	021	90020
2345	Cap, 1n, 10%, 500v, Ceramic	3198	019	41020	4009	Res, Zero ohm, "Chip" Jumper	3198	021	90020
3331	Res, 100 ohm, 5%, 1/6W, Carbon Film	3198	011	01010	4010	Res, Zero ohm, "Chip" Jumper	3198	021	90020
3332	Res, 1K, 20%, 1/2W, Carbon Film	3198	013	01020	6703	Zener Diode, 5.1 volt	3198	010	25180
3333	Res, 100 ohm, 5%, 1/6W, Carbon Film	3198	011	01010	6704	Zener Diode, 8.2 volt	3198	020	58280
3334	Res, 1K, 20%, 1/2W, Carbon Film	3198	013	01020	6706	Zener Diode, 8.2 volt	3198	020	58280
3335	Res, 100 ohm, 5%, 1/6W, Carbon Film	3198	011	01010	7700	Transistor, NPN, BC847B	3198	010	42030
3336	Res, 1K, 20%, 1/2W, Carbon Film	3198	013	01020	7701	Transistor, NPN, BC847B	3198	010	42030
S 3340	Res, 10 ohm, 5%, 1/2W, Metal Film	2306	207	03109	7704	Transistor, PNP, BC857B	3198	010	42150
S 3341	Res, 1 ohm, 5%, 1/3W, Metal Film	2306	204	03108	7705	Transistor, PNP, BC857B	3198	010	42150
S 3342	Res, 1 ohm, 5%, 1/3W, Metal Film	2306	204	03108	7706	Transistor, NPN, BC847B	3198	010	42030
3343	Res, 1K5, 20%, 1/2W, Carbon Film	3198	013	01520	7707	Transistor, NPN, BC847B	3198	010	42030
3344	Res, 22 ohm, 5%, 1/6W, Carbon Film	3198	011	02290	7708	Transistor, NPN, BC847B	3198	010	42030
S 3345	VDR, DC, 1mA, 50V, MAX, 115V	2322	593	13507	7715	Transistor, NPN, BC847B	3198	010	42030
3346	Res, 22 ohm, 5%, 1/6W, Carbon Film	3198	011	02290	7716	Transistor, NPN, BC847B	3198	010	42030
3347	Res, Zero ohm, "Chip" Jumper	3198	021	90020	9001	Wire Jumper, 0.58MM	3198	036	90010
3350	Res, Zero ohm, "Chip" Jumper	3198	021	90020	9002	Wire Jumper, 0.58MM	3198	036	90010
3353	Res, Zero ohm, "Chip" Jumper	3198	021	90020	9003	Wire Jumper, 0.58MM	3198	036	90010
5342	Coil, 22u	2422	535	97333	9004	Wire Jumper, 0.58MM	3198	036	90010
6331	Diode, Signal, BAV21	3198	010	10070	9005	Wire Jumper, 0.58MM	3198	036	90010
6332	Diode, Signal, BAS316	3198	010	10630	9007	Wire Jumper, 0.58MM	3198	036	90010
6333	Diode, Signal, BAV21	3198	010	10070	9008	Wire Jumper, 0.58MM	3198	036	90010
6335	Diode, Signal, BAV21	3198	010	10070	9009	Wire Jumper, 0.58MM	3198	036	90010
7330	IC, TDA6107Q/N2	9352	576	50112	9010	Wire Jumper, 0.58MM	3198	036	90010
9311	Wire Jumper, 0.58MM	3198	036	90010	9021	Wire Jumper, 0.58MM	3198	036	90010
9341	Wire Jumper, 0.58MM	3198	036	90010					
9342	Wire Jumper, 0.58MM	3198	036	90010					
9343	Wire Jumper, 0.58MM	3198	036	90010					

Interface Panel Parts - 313912729681

Interface Panel Parts - 313912729681									
CBA	Interface Panel Assembly	3139	127	29681	0060	Scan 3 Module (ITV) Assembly	3135	127	10241
0149	Cable, 9 Pin, 280mm	3135	121	00071	1000	Ribbon, Foil, 5 Pin, 40mm	2422	025	19454
0162	Cable, 7 Pin, 220mm	3135	121	00051	1001	Connector, 15 Pin	2422	025	16857
0163	Cable, 10 Pin, 280mm	3135	121	00061	1002	Crystal, Resonator, 20M140	2422	543	01196
0164	Cable, 3 Pin, 400mm	3135	121	00161	1004	Socket, 2 Pin, SVHS	2422	033	00365
0167	Cable, 4 Pin, 180mm	3135	121	00081	1005	Socket, Cinch, 6 Pin	2422	026	04827
0168	Cable, 6 Pin, 280mm	3135	121	00041	1010	Resonator Crystal, 14M31818, 20P	2422	543	00904
0173	Cable, 5 Pin, 400mm	3135	121	00031	1011	Connector, 32 Pin	3135	010	03541
0217	Connector, 4 Pin	2422	025	16385	1011	Crystal, Resonator, 12MHz, 20 Pin	2422	543	00488
0227	Connector, 6 Pin	2422	025	15849	1012	Connector, 5 Pin	2422	025	12708
0228	Connector, 3 Pin	2422	025	16407	1013	Connector, 14 Pin	2422	025	12486
0240	Connector, 7 Pin	2422	025	11244	2000	Cap, 1u, 20%, 50v, Electrolytic	3198	030	81080
0242	Connector, 10 Pin	2422	025	12484	2001	Cap, 82p, 5%, 50v, Ceramic	3198	016	08290
0259	Connector, 5 Pin	2422	025	15848	2002	Cap, 47p, 5%, 50v, Ceramic	3198	016	04790
1259	Connector, 9 Pin	2422	025	11243	2003	Cap, 15p, 5%, 50v, Ceramic	3198	016	01590
1800	Connector, 32 Pin	3135	010	03531	2004	Cap, 100n, +80/-20%, 25v, Ceramic	3198	023	21040
2703	Cap, 100u, 20%, 10v, Electrolytic	3198	025	11010	2005	Cap, 1u, 20%, 50v, Electrolytic	3198	030	81080
2705	Cap, 22p, 5%, 50v, Ceramic	3198	016	02290	2006	Cap, 82p, 5%, 50v, Ceramic	3198	016	08290
2706	Cap, 4n7, 10%, 50v, Ceramic	3198	017	04720	2007	Cap, 47p, 5%, 50v, Ceramic	3198	016	04790
2707	Cap, 4n7, 10%, 50v, Ceramic	3198	017	04720	2008	Cap, 47p, 5%, 50v, Ceramic	3198	016	04790
2709	Cap, 100n, 10%, 16v, Ceramic	3198	017	01040	2009	Cap, 150p, 5%, 50v, Ceramic	3198	016	01510
2710	Cap, 100n, 10%, 16v, Ceramic	3198	017	01040	2010	Cap, 1u, 20%, 50v, Electrolytic	3198	030	81080
2711	Cap, 100p, 5%, 50v, Ceramic	3198	016	01010	2011	Cap, 270p, 5%, 50v, Ceramic	3198	016	02710
2712	Cap, 100p, 5%, 50v, Ceramic	3198	016	01010	2012	Cap, 15p, 5%, 50v, Ceramic	3198	016	01590
2713	Cap, 100n, 10%, 16v, Ceramic	3198	017	01040	2013	Cap, 47p, 5%, 50v, Ceramic	3198	016	04790
3703	Res, 75 ohm, 5%, 1/10W, Metalized Glass	3198	021	57590	2014	Cap, 150p, 5%, 50v, Ceramic	3198	016	01510
3707	Res, 10K, 5%, 1/10W, Metalized Glass	3198	021	51030	2015	Cap, 100p, 5%, 50v, Ceramic	3198	016	01010
3708	Res, 47K, 5%, 1/10W, Metalized Glass	3198	021	54730	2016	Cap, 22p, 5%, 50v, Ceramic	3198	016	02290
3710	Res, 47K, 5%, 1/10W, Metalized Glass	3198	021	54730	2017	Cap, 10u, 20%, 20v, Electrolytic	2020	004	90288
3715	Res, 100 ohm, 5%, 1/10W, Glass	3198	021	51010	2018	Cap, 270p, 5%, 50v, Ceramic	3198	016	02710
3716	Res, 10K, 5%, 1/10W, Metalized Glass	3198	021	51030	2019	Cap, 15p, 5%, 50v, Ceramic	3198	016	01590
					2020	Cap, 100n, +80/-20%, 25v, Ceramic	3198	023	21040
					2021	Cap, 47p, 5%, 50v, Ceramic	3198	016	04790
					2022	Cap, 150p, 5%, 50v, Ceramic	3198	016	01510
					2023	Cap, 270p, 5%, 50v, Ceramic	3198	016	02710

S = Safety Part Be sure to use exact replacement part.

Scan 3 Module (ITV) Parts - 313512710241

Scan 3 Module (ITV) Parts - 313512710241									
CBA	Scan 3 Module (ITV) Assembly	3135	127	10241					
0060	Ribbon, Foil, 5 Pin, 40mm	2422	025	19454					
1000	Connector, 15 Pin	2422	025	16857					
1001	Crystal, Resonator, 20M140	2422	543	01196					
1002	Socket, 2 Pin, SVHS	2422	033	00365					
1004	Socket, Cinch, 6 Pin	2422	026	04827					
1010	Resonator Crystal, 14M31818, 20P	2422	543	00904					
1011	Connector, 32 Pin	3135	010	03541					
1011	Crystal, Resonator, 12MHz, 20 Pin	2422	543	00488					
1012	Connector, 5 Pin	2422	025	12708					
1013	Connector, 14 Pin	2422	025	12486					
2000	Cap, 1u, 20%, 50v, Electrolytic	3198	030	81080					
2001	Cap, 82p, 5%, 50v, Ceramic	3198	016	08290					
2002	Cap, 47p, 5%, 50v, Ceramic	3198	016	04790					
2003	Cap, 15p, 5%, 50v, Ceramic	3198	016	01590					
2004	Cap, 100n, +80/-20%, 25v, Ceramic	3198	023	21040					
2005	Cap, 1u, 20%, 50v, Electrolytic	3198	030	81080					
2006	Cap, 82p, 5%, 50v, Ceramic	3198	016	08290					
2007	Cap, 47p, 5%, 50v, Ceramic	3198	016	04790					
2008	Cap, 47p, 5%, 50v, Ceramic	3198	016	04790					
2009	Cap, 150p, 5%, 50v, Ceramic	3198	016	01510					
2010	Cap, 1u, 20%, 50v, Electrolytic	3198	030	81080					
2011	Cap, 270p, 5%, 50v, Ceramic	3198	016	02710					
2012	Cap, 15p, 5%, 50v, Ceramic	3198	016	01590					
2013	Cap, 47p, 5%, 50v, Ceramic	3198	016	04790					

SC3127N321 (continued)

2024	Cap, 82p, 5%, 50v, Ceramic	3198 016 08290	3008	Res, 150K, 5%, 1/10W, Metalized Glass	3198 021 51540
2025	Cap, 47p, 5%, 50v, Ceramic	3198 016 04790	3009	Res, 13K, 5%, 1/8W, Metalized Glass.	2322 730 61133
2026	Cap, 22p, 5%, 50v, Ceramic	3198 016 02290	3010	Res, 10K, 5%, 1/10W, Metalized Glass	3198 021 51030
2059	Cap, 100p, 5%, 50v, Ceramic.	3198 016 01010	3011	Res, 100 ohm, 5%, 1/10W, Glass . . .	3198 021 51010
2060	Cap, 100n, 10%, 16v, Ceramic	3198 017 01040	3012	Res, 560 ohm, 5%, 1/10W, Metalized Gl	
2061	Cap, 100n, 10%, 16v, Ceramic	3198 017 01040		ass.	3198 021 55610
2062	Cap, 100n, 10%, 16v, Ceramic	3198 017 01040	3013	Res, 4K7, 5%, 1/10W, Metalized Glass	3198 021 54720
2063	Cap, 4u7, +80/-20%, 10v, Ceramic . . .	2020 552 96305	3014	Res, 150K, 5%, 1/10W, Metalized Glass	3198 021 51540
2064	Cap, 100n, 10%, 16v, Ceramic	3198 017 01040	3015	Res, 13K, 5%, 1/8W, Metalized Glass.	2322 730 61133
2065	Cap, 100n, 10%, 16v, Ceramic	3198 017 01040	3016	Res, 10K, 5%, 1/10W, Metalized Glass	3198 021 51030
2066	Cap, 100n, 10%, 16v, Ceramic	3198 017 01040	3017	Res, 560 ohm, 5%, 1/10W, Metalized Gl	
2067	Cap, 100n, 10%, 16v, Ceramic	3198 017 01040		ass.	3198 021 55610
2068	Cap, 22p, 5%, 50v, Ceramic	3198 016 02290	3018	Res, 100 ohm, 5%, 1/10W, Glass . . .	3198 021 51010
2070	Cap, 22p, 5%, 50v, Ceramic	3198 016 02290	3019	Res, 4K7, 5%, 1/10W, Metalized Glass	3198 021 54720
2071	Cap, 100n, 10%, 16v, Ceramic	3198 017 01040	3020	Res, 150K, 5%, 1/10W, Metalized Glass	3198 021 51540
2072	Cap, 100n, 10%, 16v, Ceramic	3198 017 01040	3021	Res, 13K, 5%, 1/8W, Metalized Glass.	2322 730 61133
2073	Cap, 100n, 10%, 16v, Ceramic	3198 017 01040	3022	Res, 10K, 5%, 1/10W, Metalized Glass	3198 021 51030
2074	Cap, 4u7, 20%, 35v, Electrolytic . . .	3198 030 74780	3023	Res, 560 ohm, 5%, 1/10W, Metalized Gl	
2075	Cap, 100n, 10%, 16v, Ceramic	3198 017 01040		ass.	3198 021 55610
2076	Cap, 4u7, 20%, 35v, Electrolytic . . .	3198 030 74780	3024	Res, 100 ohm, 5%, 1/10W, Glass . . .	3198 021 51010
2077	Cap, 100n, 10%, 16v, Ceramic	3198 017 01040	3025	Res, 22K, 5%, 1/10W, Metalized Glass	3198 021 52230
2078	Cap, 4u7, 20%, 35v, Electrolytic . . .	3198 030 74780	3026	Res, 22K, 5%, 1/10W, Metalized Glass	3198 021 52230
2079	Cap, 1n, 10%, 50v, Ceramic	3198 017 01020	3027	Res, 22K, 5%, 1/10W, Metalized Glass	3198 021 52230
2080	Cap, 100n, 10%, 16v, Ceramic	3198 017 01040	3028	Res, 1K, 5%, 1/10W, Metalized Glass.	3198 021 51020
2081	Cap, 100n, 10%, 16v, Ceramic	3198 017 01040	3029	Res, 22K, 5%, 1/10W, Metalized Glass	3198 021 52230
2082	Cap, 100n, 10%, 16v, Ceramic	3198 017 01040	3030	Res, 22K, 5%, 1/10W, Metalized Glass	3198 021 52230
2083	Cap, 100n, 10%, 16v, Ceramic	3198 017 01040	3031	Res, 22K, 5%, 1/10W, Metalized Glass	3198 021 52230
2084	Cap, 100n, 10%, 16v, Ceramic	3198 017 01040	3033	Res, 100 ohm, 5%, 1/10W, Glass . . .	3198 021 51010
2085	Cap, 4u7, 20%, 35v, Electrolytic . . .	3198 030 74780	3049	Res, 75 ohm, 5%, 1/10W, Metalized Gla	
2086	Cap, 1n, 10%, 50v, Ceramic	3198 017 01020		ss.	3198 021 57590
2087	Cap, 100n, 10%, 16v, Ceramic	3198 017 01040	3052	Res, 100 ohm, 5%, 1/10W, Glass . . .	3198 021 51010
2088	Cap, 100n, 10%, 16v, Ceramic	3198 017 01040	3053	Res, 100 ohm, 5%, 1/10W, Glass . . .	3198 021 51010
2089	Cap, 100n, 10%, 16v, Ceramic	3198 017 01040	3056	Res, 1K5, 5%, 1/10W, Metalized Glass	3198 021 51520
2090	Cap, 100n, 10%, 16v, Ceramic	3198 017 01040	3057	Res, 75 ohm, 5%, 1/10W, Metalized Gla	
2091	Cap, 4u7, 20%, 35v, Electrolytic . . .	3198 030 74780		ss.	3198 021 57590
2092	Cap, 1n, 10%, 50v, Ceramic	3198 017 01020	3058	Res, 390 ohm, 5%, 1/10W, Metalized Gl	
2093	Cap, 100n, 10%, 16v, Ceramic	3198 017 01040		ass.	3198 021 53910
2094	Cap, 100n, 10%, 16v, Ceramic	3198 017 01040	3059	Res, 100 ohm, 5%, 1/10W, Glass . . .	3198 021 51010
2095	Cap, 100n, 10%, 16v, Ceramic	3198 017 01040	3060	Res, 1K, 5%, 1/10W, Metalized Glass.	3198 021 51020
2096	Cap, 100n, 10%, 16v, Ceramic	3198 017 01040	3061	Res, 1M, 5%, 1/10W, Metalized Glass.	3198 021 51050
2097	Cap, 100n, 10%, 16v, Ceramic	3198 017 01040	3062	Res, 220 ohm, 5%, 1/10W, Metalized Gl	
2098	Cap, 100n, 10%, 16v, Ceramic	3198 017 01040		ass.	3198 021 52210
2099	Cap, 470u, 20%, 16v, Electrolytic. . .	3198 025 24710	3063	Res, 820 ohm, 5%, 1/10W, Metalized Gl	
2100	Cap, 47u, 20%, 25v, Electrolytic . . .	3198 025 34790		ass.	3198 021 58210
2101	Cap, 1u, 20%, 35v, Electrolytic.	2020 004 90282	3064	Res, 220 ohm, 5%, 1/10W, Metalized Gl	
2102	Cap, 1u, 20%, 35v, Electrolytic.	2020 004 90282		ass.	3198 021 52210
2103	Cap, 1u, 20%, 50v, Electrolytic.	3198 030 81080	3065	Res, Network, ARV24, 4X 33R, 5%. . .	2350 035 10339
2104	Cap, 1u, 20%, 50v, Electrolytic.	3198 030 81080	3066	Res, Network, ARV24, 4X 33R, 5%. . .	2350 035 10339
2105	Cap, 1u, 20%, 50v, Electrolytic.	3198 030 81080	3073	Res, Network, ARV24, 4X 33R, 5%. . .	2350 035 10339
2106	Cap, 1u, 20%, 50v, Electrolytic.	3198 030 81080	3074	Res, Network, ARV24, 4X 33R, 5%. . .	2350 035 10339
2107	Cap, 1u, 20%, 50v, Electrolytic.	3198 030 81080	3082	Res, Network, ARV24, 4X 33R, 5%. . .	2350 035 10339
2108	Cap, 1u, 20%, 50v, Electrolytic.	3198 030 81080	3085	Res, Network, ARV24, 4X 33R, 5%. . .	2350 035 10339
2109	Cap, 1u, 20%, 50v, Electrolytic.	3198 030 81080	3089	Res, 1K, 5%, 1/10W, Metalized Glass.	3198 021 51020
2110	Cap, 1u, 20%, 50v, Electrolytic.	3198 030 81080	3090	Res, Network, ARV24, 4X 33R, 5%. . .	2350 035 10339
2111	Cap, 1u, 20%, 50v, Electrolytic.	3198 030 81080	3091	Res, Network, ARV24, 4X 33R, 5%. . .	2350 035 10339
2112	Cap, 1u, 20%, 50v, Electrolytic.	3198 030 81080	3097	Res, 150 ohm, 5%, 1/10W, Metalized Gl	
2113	Cap, 1u, 20%, 50v, Electrolytic.	3198 030 81080		ass.	3198 021 51510
2114	Cap, 470u, 20%, 25v, Electrolytic. . .	2020 012 93457	3099	Res, 10K, 5%, 1/10W, Metalized Glass	3198 021 51030
2115	Cap, 10u, 20%, 10v, Electrolytic . . .	3198 032 34130	3100	Res, 10K, 5%, 1/10W, Metalized Glass	3198 021 51030
2116	Cap, 10u, 20%, 10v, Electrolytic . . .	3198 032 34130	3101	Res, 10K, 5%, 1/10W, Metalized Glass	3198 021 51030
2118	Cap, 22p, 5%, 50v, Ceramic	3198 016 02290	3102	Res, 75 ohm, 5%, 1/10W, Metalized Gla	
2119	Cap, 22p, 5%, 50v, Ceramic	3198 016 02290		ss.	3198 021 57590
2120	Cap, 680p, 10%, 50v, Ceramic	3198 017 06810	3103	Res, 1K, 5%, 1/10W, Metalized Glass.	3198 021 51020
2121	Cap, 680p, 10%, 50v, Ceramic	3198 017 06810	3104	Res, 1K, 5%, 1/10W, Metalized Glass.	3198 021 51020
2122	Cap, 100n, 10%, 16v, Ceramic	3198 017 01040	3105	Res, 150 ohm, 5%, 1/10W, Metalized Gl	
2123	Cap, 100n, 10%, 16v, Ceramic	3198 017 01040		ass.	3198 021 51510
2124	Cap, 100n, 10%, 16v, Ceramic	3198 017 01040	3106	Res, 270 ohm, 5%, 1/10W, Metalized Gl	
2125	Cap, 100n, 10%, 16v, Ceramic	3198 017 01040		ass.	3198 021 52710
2126	Cap, 100n, 10%, 16v, Ceramic	3198 017 01040	3107	Res, 75 ohm, 5%, 1/10W, Metalized Gla	
2127	Cap, 100n, 10%, 16v, Ceramic	3198 017 01040		ss.	3198 021 57590
2129	Cap, 100n, 10%, 16v, Ceramic	3198 017 01040	3108	Res, 4K7, 5%, 1/10W, Metalized Glass	3198 021 54720
2130	Cap, 100n, 10%, 16v, Ceramic	3198 017 01040	3109	Res, 4K7, 5%, 1/10W, Metalized Glass	3198 021 54720
2131	Cap, 100n, 10%, 16v, Ceramic	3198 017 01040	3110	Res, 4K7, 5%, 1/10W, Metalized Glass	3198 021 54720
2132	Cap, 100n, 10%, 16v, Ceramic	3198 017 01040	3111	Res, 4K7, 5%, 1/10W, Metalized Glass	3198 021 54720
2134	Cap, 100n, 10%, 16v, Ceramic	3198 017 01040	3112	Res, 4K7, 5%, 1/10W, Metalized Glass	3198 021 54720
2135	Cap, 100n, 10%, 16v, Ceramic	3198 017 01040	3113	Res, 22K, 5%, 1/10W, Metalized Glass	3198 021 52230
2136	Cap, 100p, 5%, 50v, Ceramic.	3198 016 01010	3114	Res, 2K7, 5%, 1/10W, Metalized Glass	3198 021 52720
2137	Cap, 100p, 5%, 50v, Ceramic.	3198 016 01010	3116	Res, 1K8, 5%, 1/10W, Metalized Glass	3198 021 51820
2139	Cap, 10n, 10%, 50v, Ceramic.	3198 017 01030	3117	Res, 22K, 5%, 1/10W, Metalized Glass	3198 021 52230
2140	Cap, 10n, 10%, 50v, Ceramic.	3198 017 01030	3118	Res, 6K8, 5%, 1/10W, Metalized Glass	3198 021 56820
2141	Cap, 180p, 5%, 50v, Ceramic.	3198 016 01810	3119	Res, 100K, 5%, 1/10W, Metalized Glass	3198 021 51040
2142	Cap, 180p, 5%, 50v, Ceramic.	3198 016 01810	3120	Res, 1K, 5%, 1/10W, Metalized Glass.	3198 021 51020
3000	Res, 10K, 5%, 1/10W, Metalized Glass	3198 021 51030	3121	Res, 1K, 5%, 1/10W, Metalized Glass.	3198 021 51020
3001	Res, 10K, 5%, 1/10W, Metalized Glass	3198 021 51030	3122	Res, 1K, 5%, 1/10W, Metalized Glass.	3198 021 51020
3002	Res, 220 ohm, 5%, 1/10W, Metalized Gl		3124	Res, 910 ohm, 1%, 1/8W, Metalized Gla	
	ss.	3198 021 52210		ss.	2322 734 69101
3003	Res, 1M, 5%, 1/10W, Metalized Glass.	3198 021 51050	3129	Res, 100 ohm, 5%, 1/10W, Glass . . .	3198 021 51010
3004	Res, 100 ohm, 5%, 1/10W, Glass . . .	3198 021 51010	3130	Res, 100 ohm, 5%, 1/10W, Glass . . .	3198 021 51010
3005	Res, 75 ohm, 5%, 1/10W, Metalized Gla		3131	Res, 75 ohm, 5%, 1/10W, Metalized Gla	
	ss.	3198 021 57590		ss.	3198 021 57590
3006	Res, 1K8, 5%, 1/10W, Metalized Glass	3198 021 51820	3132	Res, 100K, 5%, 1/10W, Metalized Glass	3198 021 51040
3007	Res, 4K7, 5%, 1/10W, Metalized Glass	3198 021 54720	3133	Res, 100K, 5%, 1/10W, Metalized Glass	3198 021 51040

S = Safety Part Be sure to use exact replacement part.

SC3127N321 (continued)

3135	Res, 22K, 5%, 1/10W, Metalized Glass	3198 021 52230	2014	Cap, 100n, +80/-20%, 25v, Ceramic.	3198 023 21040
3136	Res, 100 ohm, 5%, 1/10W, Glass	3198 021 51010	2015	Cap, 47p, 5%, 50v, Ceramic	3198 016 04790
3137	Res, 100 ohm, 5%, 1/10W, Glass	3198 021 51010	3000	Res, 10K, 5%, 1/10W, Metalized Glass	3198 021 51030
3138	Res, 100 ohm, 5%, 1/10W, Glass	3198 021 51010	3001	Res, 10K, 5%, 1/10W, Metalized Glass	3198 021 51030
3139	Res, 100 ohm, 5%, 1/10W, Glass	3198 021 51010	3002	Res, 47 ohm, 5%, 1/10W, Metalized Gla	
3140	Res, 1K5, 5%, 1/10W, Metalized Glass	3198 021 51520		ss.	3198 021 54790
3141	Res, 1K, 5%, 1/10W, Metalized Glass.	3198 021 51020	3003	Res, 4K7, 5%, 1/10W, Metalized Glass	3198 021 54720
3142	Res, 1K5, 5%, 1/10W, Metalized Glass	3198 021 51520	3004	Res, 4K7, 5%, 1/10W, Metalized Glass	3198 021 54720
3143	Res, 100 ohm, 5%, 1/10W, Glass	3198 021 51010	3005	Res, 4K7, 5%, 1/10W, Metalized Glass	3198 021 54720
5000	Coil, 150n	3198 018 31570	3006	Res, 4K7, 5%, 1/10W, Metalized Glass	3198 021 54720
5001	Coil, 820n	3198 018 38270	3007	Res, 4K7, 5%, 1/10W, Metalized Glass	3198 021 54720
5002	Coil, 1u2	3198 018 31280	3008	Res, 4K7, 5%, 1/10W, Metalized Glass	3198 021 54720
5003	Coil, 1u2	3198 018 31280	3009	Res, 47K, 5%, 1/10W, Metalized Glass	3198 021 54730
5004	Coil, 1u2	3198 018 31280	3011	Res, 10K, 5%, 1/10W, Metalized Glass	3198 021 51030
5005	Coil, 22u.	3198 018 32290	3012	Res, 47 ohm, 5%, 1/10W, Metalized Gla	
5006	Coil, 4u7.	3198 018 34780		ss.	3198 021 54790
5010	Coil, 820n	3198 018 38270	5000	Coil, 150n	3198 018 31570
5012	Coil, 820n	3198 018 38270	5001	Coil, 150n	3198 018 31570
5014	Res, 75 ohm, 5%, 1/10W, Metalized Gla		5002	Coil, 680n	3198 018 36870
	ss.	3198 021 57590	5003	Coil, 2u2	2422 535 96509
5015	Inductor, Fixed, 100MHZ, 30 ohm.	3198 018 90060	5004	Coil, 10u.	3198 018 31090
5016	Inductor, Fixed, 100MHZ, 30 ohm.	3198 018 90060	5005	Coil, 22u.	3198 018 32290
5017	Inductor, Fixed, 100MHZ, 30 ohm.	3198 018 90060	5006	Coil, 4u7.	3198 018 34780
5018	Inductor, Fixed, 100MHZ, 30 ohm.	3198 018 90060	6000	Diode, Signal, BAS216.	9340 255 30115
5019	Inductor, Fixed, 100MHZ, 30 ohm.	3198 018 90060	6001	Diode, Signal, BAS216.	9340 255 30115
5020	Inductor, Fixed, 100MHZ, 30 ohm.	3198 018 90060	6002	Diode, Signal, BAS216.	9340 255 30115
5021	Coil, 82u.	2422 535 95408	7000	IC, NE592/N8	9337 334 80602
5023	Inductor, Fixed, 100MHZ, 30 ohm.	3198 018 90060	7001	Transistor, NPN, BC847B.	9335 895 90215
5024	Coil, 1u8.	3198 018 31880			
6000	Diode, Signal, BAS216.	9340 255 30115			
6001	Diode, Signal, BAV99	3198 010 10620			
6002	Diode, Signal, BAV99	3198 010 10620			
6003	Diode, Signal, BAV99	3198 010 10620			
6004	Diode, Signal, BAV99	3198 010 10620			
6005	Diode, Signal, BAV99	3198 010 10620			
6006	Diode, Signal, BAV99	3198 010 10620			
6009	Diode, Signal, BAV99	3198 010 10620			
6010	Diode, Signal, BAV99	3198 010 10620			
6011	Diode, Signal, BAS16WS	9322 031 99685			
6012	Diode, Signal, BAS16WS	9322 031 99685			
6013	Diode, Signal, BAS16WS	9322 031 99685			
6014	Diode, Signal, BAS16WS	9322 031 99685			
6015	Diode, Signal, BAS16WS	9322 031 99685			
6016	Diode, Signal, BAS16WS	9322 031 99685			
6017	Diode, Rect, MBR5140.	9322 070 26668			
6018	Zener Diode, 6.8 volt.	9340 386 40115			
7000	F.E.T. Signal, BSN20	9340 125 00235			
7001	IC, LM393D	9339 575 30668			
7002	IC, LM393D	9339 575 30668			
7003	Transistor, NPN, BC847B.	3198 010 42030			
7004	Transistor, NPN, BC847B.	3198 010 42030			
7005	Transistor, NPN, BC847B.	3198 010 42030			
7006	Transistor, PNP, BC857B.	3198 010 42150			
7007	F.E.T. Signal, BSN20	9340 125 00235			
7010	F.E.T. Signal, BSN20	9340 125 00235			
7011	IC, FS401AC.	9322 107 99671			
7012	IC, HY57V161610DTC-10.	9322 161 58668			
7013	F.E.T. Signal, BSN20	9340 125 00235			
7014	IC, 87C51RD+4A SCAN3	3135 120 50071			
7016	IC, 74HC4066D.	9337 144 20653			
7018	IC, M24C04-WMN6.	9322 122 33668			
7019	IC, TDA8440/C3	9338 180 70112			
7020	Transistor, PNP, BC857B.	3198 010 42150			
7021	Transistor, NPN, BC847B.	3198 010 42030			
7022	IC, MC33269D-3.3	9322 106 88668			
7023	IC, MC33269D-3.3	9322 106 88668			
7024	IC, LM2596S-ADJ.	9322 130 86685			
7028	F.E.T. Signal, BSH103.	9340 547 13215			
7036	F.E.T. Signal, BSH103.	9340 547 13215			
7037	Transistor, NPN, BC847B.	3198 010 42030			

Net 1 Module (ITV) Parts - 313512710151

Net 1 Module (ITV) Parts - 3135127101				
51				
CBA	Net 1 Module (ITV) Assembly.	3135 127 10151		
1000	Socket, Antenna, 1 Pin	2422 031 10792		
1001	Socket, Cinch, 1 Pin	2422 026 05003		
1002	Connector, 5 Pin	2422 025 12708		
2000	Cap, 100n, +80/-20%, 25v, Ceramic.	3198 023 21040		
2001	Cap, 39p, 5%, 50v, Ceramic	3198 016 03990		
2002	Cap, 22p, 5%, 50v, Ceramic	3198 016 02290		
2003	Cap, 39p, 5%, 50v, Ceramic	3198 016 03990		
2004	Cap, 100n, 10%, 25v, Ceramic	2238 910 15649		
2005	Cap, 270p, 5%, 50v, Ceramic.	3198 016 02710		
2006	Cap, 390p, 5%, 50v, Ceramic.	3198 016 03910		
2007	Cap, 33p, 5%, 50v, Ceramic	3198 016 03390		
2008	Cap, 100p, 5%, 50v, Ceramic.	3198 016 01010		
2009	Cap, 10p, 5%, 50v, Ceramic	3198 016 01090		
2010	Cap, 100n, +80/-20%, 25v, Ceramic.	3198 023 21040		
2011	Cap, 10n, 10%, 50v, Ceramic.	3198 017 01030		
2012	Cap, 10n, 10%, 50v, Ceramic.	3198 017 01030		
2013	Cap, 100n, +80/-20%, 25v, Ceramic.	3198 023 21040		

S = Safety Part Be sure to use exact replacement part.

SC3132N321 - Manual no. 7629

Cabinet & Accessory Parts

	Cabinet & Accessory Parts			
	CBA EPS(1B). Module, (ITV)	3139	137	22961
S	AC01 AC Cord	3135	010	04323
	AC02 AC Cord Relief (Not Shown)	3135	010	02841
	AC03 Battery, Zinc, 1.5V (2-Pack)	9299	000	65263
	AC04 Cabinet, Back (ITV)	3135	014	06531
	AC07 Chassis Tray	3139	124	31324
	AC09 Clip, Anode Lead (3 Used) (Not Shown)	3135	014	04471
S	AC10 CRT A80QCF340X34(N)	9301	904	59463
	AC11 Customer Control Panel	3139	124	26472
	AC12 Coil, Degaussing	2422	549	45334
	AC13 Holder, Degaussing (4 Used)	3135	013	01661
	AC16 Owner's Manual	3135	015	20912
	AC16A DPU for SCAN 3 Card (Not Shown)	3135	015	21901
	AC20A Cabinet, Front - Model SC3132N321	3135	127	50031
	AC20D Light Guide	3139	124	26461
	AC20E Nameplate	3135	015	03571
	AC20F Power Button	3139	124	26444
	AC20J Speaker, 16R, 5W (2 Used)	2422	264	00401
	AC22 Spring	3139	121	26231
	AC27 Bracket, Power Button	3135	121	20061
	AC29 Bracket, EPS Module, (Horiz) (Not Shown)	3135	014	09221
	AC30 Cover, Scan III (Not Shown)	3135	014	10551
	ADAPTER Adapter, Scan III Module (Not Shown)	3135	017	07401
	CABLE Cable, Scan III, Extender (Not Shown)	3135	017	07411
	CBA Audio Jack Panel (ITV) (Not Shown)	3135	124	00181
	REMOTE Transmitter, Remote RC2572/01	3139	228	88691

Main Chassis Assembly Parts

	Main Chassis Assembly Parts			
1000	Tuner, V+U PLL	2422	542	90113
7200	IC, SM TDA9563H/N1/3/0485	4835	310	57624
0040	Cover, Cinch	3139	124	25551
0118	U-Cooling Plate	3139	121	26731
0122	Heatsink, Line	3135	121	60041
0123	Heatsink, Audio	3139	121	62501
0124	Heatsink, SOPS	3139	121	62201
0127	Socket, Fuse	2422	088	00271
0129	NTC, Holder	3139	120	10151
0136	IC-Spring	3104	301	22081
0137	Spring	3139	121	24581
0138	IC-Spring	3104	301	22081
0139	Spring for Bracket	3122	121	24786
0140	Spring	3139	121	24581
0141	IC-Spring	3104	301	22081
0152	Cable, DIPMATE, 6 Pin 560mm	3139	121	08951
0153	Cable, 5 Pin, 560mm	3139	121	09041
0157	Cable, 4 Pin, 280mm	3135	121	00122
0165	Ground Terminal Assembly 340mm	3139	121	08883
0211	Connector, 2 Pin	2422	025	16269
S	0212 Connector, 2 Pin	2422	025	16375
	0213 Connector, 2 Pin	2422	025	16374
	0215 Connector, 3 Pin	2422	025	16383
	0217 Connector, 6 Pin	2422	025	12482
	0218 Socket, Cinch, 3 Pin	2422	026	04742
S	0220 Connector, 5 Pin	2422	025	04853
S	0221 Connector, 4 Pin	2422	025	15503
S	0222 Connector, 2 Pin	2422	025	10646
	0227 Connector, 6 Pin	2422	025	15849
	0229 Connector, 7 Pin	2422	025	17209
	0240 Connector, 7 Pin	2422	025	11244
	0242 Connector, 7 Pin	2422	025	17042
S	0243 Connector, 6 Pin	2422	025	04854
	0246 Connector, 5 Pin	2422	025	12481
	0259 Connector, 5 Pin	2422	025	15848
	0262 Connector, 3 Pin	2422	025	16937
	0267 Connector, 3 Pin	2412	020	00725
	1002 SAW Filter, 45MHz75, OPWM1971M	2422	549	44518
	1200 Filter, Ceramic, 4MHz5	2422	549	40807
S	1500 Fuse, 4A, 250V, IEC	2422	086	10914
S	1515 Relay, 12V, 5A G5PA-1	2422	132	07444
	1600 Switch, Tactile	2422	128	02742
	1601 Switch, Tactile	2422	128	02742
	1602 Switch, Tactile	2422	128	02742
	1603 Switch, Tactile	2422	128	02742
	1606 Switch, Tactile	2422	128	02742
	1660 Crystal, 12MHz000	2422	543	01203
	1831 Crystal, Resonator, 18MHz432, 12 Pin, HC49/U A	2422	543	00842
	2004 Cap, 47n, 10%, 25v, Ceramic	3198	023	04730
	2005 Cap, 10u, 20%, 50v, Electrolytic	3198	025	51090
	2006 Cap, 470u, 20%, 16v, Electrolytic	3198	025	24710
	2007 Cap, 100n, +80/-20%, 25v, Ceramic	3198	023	21040
	2008 Cap, 100u, 20%, 25v, Electrolytic	3198	025	31010
	2009 Cap, 22n, 10%, 50v, Ceramic	3198	017	02230
	2135 Cap, 22p, 5%, 50v, Ceramic	3198	016	02290
	2136 Cap, 22p, 5%, 50v, Ceramic	3198	016	02290
	2181 Cap, 22p, 5%, 50v, Ceramic	3198	016	02290
	2182 Cap, 330p, 10%, 50v, Ceramic	3198	017	03310
	2183 Cap, 330p, 10%, 50v, Ceramic	3198	017	03310

2184	Res, Zero ohm, "Chip" Jumper	3198	021	90020
2202	Cap, 100n, +80/-20%, 25v, Ceramic	3198	023	21040
2203	Cap, 100n, +80/-20%, 25v, Ceramic	3198	023	21040
2204	Cap, 100n, +80/-20%, 25v, Ceramic	3198	023	21040
2205	Cap, 220n, +80/-20%, 25v, Ceramic	3198	023	22240
2208	Cap, 100n, +80/-20%, 25v, Ceramic	3198	023	21040
2209	Cap, 10u, 20%, 50v, Electrolytic	3198	025	51090
2210	Cap, 1u, +80/-20%, 16v, Ceramic	3198	017	21050
2211	Cap, 470n, +80/-20%, 16v, Ceramic	3198	017	24740
2213	Cap, 22n, 10%, 50v, Ceramic	3198	017	02230
2214	Cap, 22n, 10%, 50v, Ceramic	3198	017	02230
2215	Cap, 22n, 10%, 50v, Ceramic	3198	017	02230
2216	Cap, 1000u, 20%, 16v, Electrolytic	3198	026	21020
2217	Cap, 22n, 10%, 50v, Ceramic	3198	017	02230
2219	Cap, 220n, +80/-20%, 25v, Ceramic	3198	023	22240
2220	Cap, 470n, 10%, 50v, Polyester	3198	014	04740
2221	Cap, 22n, +80/-20%, 50v, Ceramic	3198	017	22230
2241	Cap, 1n5, 10%, 50v, Ceramic	3198	017	01520
2242	Cap, 1u, +80/-20%, 16v, Ceramic	3198	017	21050
2243	Cap, 2n2, 10%, 50v, Ceramic	3198	017	02220
2244	Cap, 100n, 10%, 63v, Metalized Polyes			
	ter.	2222	370	75104
2245	Cap, 470n, +80/-20%, 16v, Ceramic	3198	017	24740
2247	Cap, 1000u, 20%, 16v, Electrolytic	3198	026	21020
2248	Cap, 22n, 10%, 50v, Ceramic	3198	017	02230
2249	Cap, 22n, 10%, 50v, Ceramic	3198	017	02230
2250	Cap, 2u2, 20%, 50v, Electrolytic	3198	025	52280
2252	Cap, 1n, 5%, 50v, Ceramic	3198	016	01020
2253	Cap, 1n, 5%, 50v, Ceramic	3198	016	01020
2254	Res, Zero ohm, "Chip" Jumper	3198	021	90020
2401	Cap, 2u2, 20%, 50v, Electrolytic	2020	021	90552
2402	Cap, 470p, 10%, 500v, Ceramic	3198	019	44710
2404	Cap, 47u, 20%, 50v, Electrolytic	3198	025	54790
2405	Cap, 220u, 20%, 25v, Electrolytic	3198	025	32210
2441	Cap, 1u, 20%, 50v, Electrolytic	3198	025	51080
2443	Cap, 47n, +80/-20%, 50v, Ceramic	3198	017	24730
2444	Cap, 1u, 20%, 50v, Electrolytic	3198	025	51080
2450	Cap, 47u, 20%, 160v, Electrolytic	2020	021	91139
2451	Cap, 15n, 10%, 50v, Polyester	3198	014	01530
2452	Cap, 180p, 5%, 50v, Ceramic	3198	016	01810
2455	Cap, 47u, 20%, 25v, Electrolytic	3198	025	34790
2457	Cap, 470n, 5%, 250v, Polypropylene	2222	479	90023
2458	Cap, 2u2, 20%, 100v, Electrolytic	2020	021	91331
2459	Cap, 680p, 10%, 500v, Ceramic	3198	019	46810
2460	Cap, 100p, 5%, 50v, Ceramic	3198	016	01010
2463	Cap, 1n2, 10%, 2000v, Ceramic	2020	558	90488
2464	Cap, 2u2, 5%, 160v, Metalized Polypropylene	2222	479	90042
2465	Cap, 13n, 5%, 1600v, Polypropylene	2222	375	90157
2466	Cap, 15n, 10%, 400v, Polyester	2222	347	90219
2468	Cap, 10n, 10%, 400v, Polyester	2222	347	90218
2471	Cap, 100n, 10%, 50v, Polyester	3198	014	01040
2472	Cap, 150n, 10%, 63v, Polyester	2222	365	75154
2473	Cap, 100n, 10%, 63v, Polyester	2222	365	75104
2474	Cap, 2n2, 10%, 50v, Ceramic	3198	017	02220
2475	Cap, 2n2, 10%, 50v, Ceramic	3198	017	02220
2476	Cap, 4n7, 10%, 50v, Ceramic	3198	017	04720
2480	Cap, 47u, 20%, 25v, Electrolytic	2020	021	90586
2481	Cap, 470p, 10%, 500v, Ceramic	3198	019	44710
2482	Cap, 68n, 10%, 250v, Polyester	2222	347	90234
2485	Cap, 4u7, 20%, 250v, Electrolytic	2020	021	90856
2486	Cap, 470u, 20%, 16v, Electrolytic	2020	021	91577
2487	Cap, 47u, 20%, 50v, Electrolytic	2020	021	90854
2488	Cap, 1000u, 20%, 16v, Electrolytic	2020	021	91049
2489	Cap, 470u, 20%, 16v, Electrolytic	2020	021	91577
2491	Cap, 1n, 10%, 500v, Ceramic	3198	019	41020
2500	Cap, 470n, 20%, 275v, Polypropylene	2222	336	29148
2501	Cap, 2n2, 10%, 1000v, Ceramic	3198	019	52220
2502	Cap, 2n2, 10%, 1000v, Ceramic	3198	019	52220
2503	Cap, 470u, 20%, 200v, Electrolytic	2020	024	90626
2505	Cap, 2n2, 10%, 1000v, Ceramic	3198	019	52220
2507	Cap, 470p, 10%, 50v, Ceramic	3198	017	04710
2508	Cap, 470p, 10%, 1000v, Ceramic	3198	019	64710
S	2515 Cap, 1n5, 20%, v, Ceramic	2020	554	90128
	2520 Cap, 100n, 10%, 16v, Ceramic	3198	017	01040
	2521 Cap, 22u, 20%, 50v, Electrolytic	3198	025	52290
	2522 Cap, 100n, 10%, 16v, Ceramic	3198	017	01040
	2523 Cap, 1n5, 10%, 2000v, Ceramic	2020	558	90489
	2525 Cap, 470p, 10%, 50v, Ceramic	3198	017	04710
	2527 Cap, 2n2, 10%, 50v, Ceramic	3198	017	02220
	2528 Cap, 1n, 10%, 50v, Ceramic	3198	017	01020
	2540 Cap, 10n, 10%, 50v, Ceramic	3198	017	01030
	2560 Cap, 680p, 10%, 1000v, Ceramic	3198	019	66810
	2561 Cap, 100u, 20%, 160v, Electrolytic	2020	021	91654
	2562 Cap, 1n, 10%, 50v, Ceramic	3198	019	11020
	2563 Cap, 100n, 10%, 50v, Polyester	3198	014	01040
	2564 Cap, 2u2, 20%,			

SC3132N321 (continued)

2606	Cap, 1n, 10%, 50v, Ceramic	3198 017 01020	3215	Res, 560 ohm, 5%, 1/10W, Metalized Gl	
2607	Cap, 33p, 5%, 50v, Ceramic	3198 016 03390		ass.	3198 021 55610
2608	Cap, 1u, +80/-20%, 16v, Ceramic. . .	3198 017 21050	3216	Res, 470 ohm, 5%, 1/6W, Carbon Film.	3198 011 04710
2609	Cap, 33p, 5%, 50v, Ceramic	3198 016 03390	3217	Res, 330K, 5%, 1/10W, Metalized Glass	3198 021 53340
2611	Cap, 1u, +80/-20%, 16v, Ceramic. . .	3198 017 21050	3218	Res, 82K, 5%, 1/10W, Metalized Glass	3198 021 58230
2612	Cap, 68p, 5%, 50v, Ceramic	3198 016 06890	3219	Res, 2K2, 5%, 1/10W, Metalized Glass	3198 021 52220
2613	Cap, 68p, 5%, 50v, Ceramic	3198 016 06890	3220	Res, 100 ohm, 5%, 1/6W, Carbon Film.	3198 011 01010
2615	Cap, 1n, 10%, 50v, Ceramic	3198 017 01020	3221	Res, 560 ohm, 5%, 1/6W, Carbon Film.	3198 011 05610
2616	Cap, 470n, +80/-20%, 16v, Ceramic. .	3198 017 24740	3222	Res, 100 ohm, 5%, 1/6W, Carbon Film.	3198 011 01010
2618	Cap, 1u, +80/-20%, 16v, Ceramic. . .	3198 017 21050	3223	Res, 100 ohm, 5%, 1/10W, Metalized Gl	
2619	Cap, 1u, +80/-20%, 16v, Ceramic. . .	3198 017 21050		ass.	3198 021 51010
2691	Cap, 220u, 20%, 25v, Electrolytic. . .	3198 025 32210	3226	Res, 560 ohm, 5%, 1/10W, Metalized Gl	
2801	Cap, 22u, 20%, 50v, Electrolytic . . .	3198 025 52290		ass.	3198 021 55610
2802	Cap, 220n, +80/-20%, 25v, Ceramic. .	3198 023 22240	3235	Res, 100 ohm, 5%, 1/6W, Carbon Film.	3198 011 01010
2803	Cap, 2u2, +80/-20%, 10v, Ceramic . . .	3198 017 22250	3241	Res, 22K, 5%, 1/10W, Metalized Glass	3198 021 52230
2804	Cap, 2u2, +80/-20%, 10v, Ceramic . . .	3198 017 22250	3242	Res, 12K, 5%, 1/10W, Metalized Glass	3198 021 51230
2805	Cap, 2u2, +80/-20%, 10v, Ceramic . . .	3198 017 22250	3244	Res, 820 ohm, 5%, 1/6W, Carbon Film.	3198 011 08210
2806	Cap, 2u2, +80/-20%, 10v, Ceramic . . .	3198 017 22250	3245	Res, 39K, 5%, 1/10W, Metalized Glass	3198 021 53930
2831	Cap, 1p, 25%, 50v, Ceramic	3198 016 01080	3246	Res, 10K, 5%, 1/10W, Metalized Glass	3198 021 51030
2832	Cap, 1p, 25%, 50v, Ceramic	3198 016 01080	3247	Res, 470K, 5%, 1/10W, Metalized Glass	3198 021 54740
2833	Cap, 47p, 5%, 50v, Ceramic	3198 016 04790	3248	Res, 33K, 5%, 1/10W, Metalized Glass	3198 021 53330
2834	Cap, 470p, 5%, 50v, Ceramic	3198 016 04710	3249	Res, 820 ohm, 5%, 1/6W, Carbon Film.	3198 011 08210
2835	Cap, 220p, 5%, 50v, Ceramic.	3198 016 02210	3250	Res, 8K2, 5%, 1/6W, Carbon Film. . .	3198 011 08220
2836	Cap, 1n5, 10%, 50v, Ceramic.	3198 017 01520	3251	Res, 100 ohm, 5%, 1/6W, Carbon Film.	3198 011 01010
2837	Cap, 4u7, 20%, 50v, Electrolytic . . .	3198 025 54780	3256	Res, 1K, 5%, 1/10W, Metalized Glass.	3198 021 51020
2840	Cap, 100n, +80/-20%, 25v, Ceramic. . .	3198 023 21040	3257	Res, 10M, 5%, 1/10W, Metalized Glass	3198 021 51060
2841	Cap, 10u, 20%, 50v, Electrolytic . . .	3198 025 51090	3258	Res, 100K, 5%, 1/10W, Metalized Glass	3198 021 51040
2842	Cap, 100n, +80/-20%, 25v, Ceramic. . .	3198 023 21040	3259	Res, 470K, 5%, 1/10W, Metalized Glass	3198 021 54740
2843	Cap, 10u, 20%, 50v, Electrolytic . . .	3198 025 51090	3400	Res, 330 ohm, 5%, 1/6W, Carbon Film.	3198 011 03310
2844	Cap, 10u, 20%, 50v, Electrolytic . . .	3198 025 51090	3401	Res, 33K, 5%, 1/6W, Carbon Film. . .	3198 011 03330
2845	Cap, 100n, +80/-20%, 25v, Ceramic. . .	3198 023 21040	3403	Res, 100K, 5%, 1/6W, Carbon Film . .	3198 011 01040
2846	Cap, 100u, 20%, 25v, Electrolytic. . .	3198 025 31010	3404	Res, 1K, 5%, 1/6W, Carbon Film . . .	3198 011 01020
2849	Cap, 1n, 5%, 50v, Ceramic.	3198 016 01020	3405	Res, 4R7, 5%, 1/6W, Carbon Film. . .	3198 011 04780
2850	Cap, 1n, 5%, 50v, Ceramic.	3198 016 01020	3406	Res, 4R7, 5%, 1/6W, Carbon Film. . .	3198 011 04780
2851	Cap, 4u7, +80/-20%, 10v, Ceramic . . .	2020 552 96305	3408	Res, 100 ohm, 5%, 1/6W, Carbon Film.	3198 011 01010
2852	Cap, 1n, 5%, 50v, Ceramic.	3198 016 01020	3410	Res, 10K, 5%, 1/6W, Carbon Film. . .	3198 011 01030
2853	Cap, 4u7, +80/-20%, 10v, Ceramic . . .	2020 552 96305	3411	Res, 4R7, 5%, 1/3W, Metal Film . . .	2306 204 03478
2854	Cap, 1n, 5%, 50v, Ceramic.	3198 016 01020	3441	Res, 100 ohm, 5%, 1/10W, Metalized Gl	
2855	Cap, 33p, 5%, 50v, Ceramic	3198 016 03390		ass.	3198 021 51010
2856	Cap, 47p, 5%, 50v, Ceramic	3198 016 04790	3442	Res, Zero ohm, "Chip" Jumper	3198 021 90020
2857	Cap, 150p, 5%, 50v, Ceramic.	3198 016 01510	3443	Res, 1M, 5%, 1/10W, Metalized Glass.	3198 021 51050
2860	Cap, 180p, 5%, 50v, Ceramic.	3198 016 01810	3445	Res, 15K, 5%, 1/6W, Carbon Film. . .	3198 011 01530
2894	Cap, 220p, 5%, 50v, Ceramic.	3198 016 02210	3446	Res, 5K6, 5%, 1/6W, Carbon Film. . .	3198 011 05620
2895	Cap, 560p, 5%, 50v, Ceramic.	3198 016 05610	3447	Res, 180 ohm, 5%, 1/6W, Carbon Film.	3198 011 01810
2897	Cap, 390p, 5%, 50v, Ceramic.	3198 016 03910	3448	Res, 820 ohm, 5%, 1/6W, Carbon Film.	3198 011 08210
2898	Cap, 10n, 10%, 50v, Ceramic.	3198 017 01030	3449	Res, 68 ohm, 5%, 1/6W, Carbon Film .	3198 011 06890
2902	Cap, 1000u, 20%, 16v, Electrolytic . . .	3198 026 21020	3450	Res, 33 ohm, 5%, 1/6W, Carbon Film . .	3198 011 03390
2903	Cap, 17u, 20%, 50v, Electrolytic. . . .	3198 025 51080	S 3451	Res, 1 ohm, 5%, 1/3W, Metal Film . . .	2306 204 03108
2904	Cap, 470n, +80/-20%, 16v, Ceramic. . .	3198 017 24740	3452	Res, 5K1, 1%, 3/5W, Metal Film	2312 915 15102
2905	Cap, 1n, 10%, 50v, Ceramic	3198 017 01020	3453	Res, 1K, 5%, 1/6W, Carbon Film. . . .	3198 011 01020
2906	Cap, 470n, +80/-20%, 16v, Ceramic. . .	3198 017 24740	3454	Res, 2K, 1%, 3/5W, Metal Film	2312 915 12002
2907	Cap, 1n, 10%, 50v, Ceramic	3198 017 01020	3455	Res, 6R8, 5%, 1 1/3W, Metal Film . . .	3198 012 26880
2908	Cap, 10u, 20%, 50v, Electrolytic . . .	3198 025 51090	3458	Res, 1K, 5%, 1/6W, Carbon Film	3198 011 01020
2910	Cap, 3n3, 10%, 50v, Ceramic.	3198 017 03320	3459	Res, 15K, 5%, 1 1/3W, Metal Film . . .	3198 012 21530
2911	Cap, 3n3, 10%, 50v, Ceramic.	3198 017 03320	3460	Res, 3K9, 5%, 1/6W, Carbon Film. . . .	3198 011 03920
2950	Cap, 330p, 5%, 50v, Ceramic.	3198 016 03310	3463	Res, 33 ohm, 5%, 1/6W, Carbon Film . .	3198 011 03390
3000	Res, 100 ohm, 5%, 1/6W, Carbon Film.	3198 011 01010	3465	Res, 27K, 1%, 3/5W, Metal Film	2312 915 12703
3001	Res, 100 ohm, 5%, 1/6W, Carbon Film.	3198 011 01010	3468	Res, 180 ohm, 5%, 1/6W, Carbon Film.	3198 011 01810
3002	Res, Zero ohm, "Chip" Jumper	3198 021 90020	3469	Res, 3K3, 5%, 1/6W, Carbon Film. . . .	3198 011 03320
3003	Res, 1K5, 5%, 1/10W, Metalized Glass	3198 021 51520	3470	Res, 390K, 5%, 1/8W, Metalized Glass	2322 730 61394
3004	Res, 8K2, 5%, 1/10W, Metalized Glass	3198 021 58220	3471	Res, 3R9, 1%, 3/5W, Metal Film	2312 915 13908
3005	Res, 100 ohm, 5%, 1/6W, Carbon Film.	3198 011 01010	3472	Res, 3R9, 1%, 3/5W, Metal Film	2312 915 13908
3136	Res, 100 ohm, 5%, 1/6W, Carbon Film.	3198 011 01010	3473	Res, 5R6, 1%, 3/5W, Metal Film	2312 915 15608
3138	Res, 100 ohm, 5%, 1/6W, Carbon Film.	3198 011 01010	3474	Res, 2K2, 1%, 3/5W, Metal Film	2312 915 12202
3151	Res, 680 ohm, 5%, 1/10W, Metalized Gl		3475	Res, 2K2, 1%, 3/5W, Metal Film	2312 915 12202
	ass.	3198 021 56810	3477	Res, 150 ohm, 5%, 1/6W, Carbon Film.	3198 011 01510
3152	Res, 680 ohm, 5%, 1/10W, Metalized Gl		3478	Res, 150 ohm, 5%, 1/6W, Carbon Film.	3198 011 01510
	ass.	3198 021 56810	3479	Res, 2K7, 5%, 1/10W, Metalized Glass	3198 021 52720
3153	Res, 680 ohm, 5%, 1/10W, Metalized Gl		3480	Res, 1R5, 5%, 1/4W, Carbon Film. . . .	2120 101 74158
	ass.	3198 021 56810	3481	Res, 15K, 1%, 3/5W, Metal Film	2312 915 11503
3181	Res, 75 ohm, 5%, 1/6W, Carbon Film . .	3198 011 07590	3482	Res, 6K8, 1%, 3/5W, Metal Film	2312 915 16802
3182	Res, 100 ohm, 5%, 1/6W, Carbon Film.	3198 011 01010	3484	Res, 3K9, 5%, 1/6W, Carbon Film. . . .	3198 011 03920
3183	Res, 150 ohm, 5%, 1/6W, Carbon Film.	3198 011 01510	3486	Res, 33 ohm, 5%, 2 1/2W, Metal Film.	3198 012 33390
3184	Res, 47K, 5%, 1/10W, Metalized Glass	3198 021 54730	3488	Res, 4R7, 5%, 1/2W, Metal Film	2306 207 03478
3185	Res, 150 ohm, 5%, 1/6W, Carbon Film.	3198 011 01510	3490	Res, 8K2, 5%, 1/6W, Carbon Film. . . .	3198 011 08220
3186	Res, 47K, 5%, 1/10W, Metalized Glass	3198 021 54730	3492	Res, 1K, 5%, 1/10W, Metalized Glass.	3198 021 51020
3200	Res, 390 ohm, 5%, 1/6W, Carbon Film.	3198 011 03910	3493	Res, 2R2, 5%, 1/3W, Metal Film	2306 204 03228
3201	Res, 100 ohm, 5%, 1/6W, Carbon Film.	3198 011 01010	3494	Res, 4R7, 5%, 1/2W, Metal Film	2306 207 03478
3202	Res, 100 ohm, 5%, 1/6W, Carbon Film.	3198 011 01010	3495	Res, 22K, 5%, 1/10W, Metalized Glass	3198 021 52230
3203	Res, 100 ohm, 5%, 1/6W, Carbon Film.	3198 011 01010	3496	Res, 100K, 5%, 1/10W, Metalized Glass	3198 021 51040
3204	Res, 22K, 5%, 1/6W, Carbon Film. . . .	3198 011 02230	3497	Res, 100K, 5%, 1/10W, Metalized Glass	3198 021 51040
3206	Res, 270K, 5%, 1/8W, Metalized Glass	2322 730 61274	3498	Res, 12K, 5%, 1/10W, Metalized Glass	3198 021 51230
3207	Res, 1K, 5%, 1/6W, Carbon Film	3198 011 01020	3499	Res, 10K, 5%, 1/10W, Metalized Glass	3198 021 51030
3208	Res, 220 ohm, 5%, 1/10W, Metalized Gl		S 3500	Res, 3M3, 5%, 1/2W, Metalized Glass.	2322 242 13335
	ass.	3198 021 52210	S 3501	Res, 3M3, 5%, 1/2W, Metalized Glass.	2322 242 13335
3209	Res, 68 ohm, 5%, 1/10W, Metalized Gla		S 3504	PTC, DC, 120V,P3020 B.	2120 661 00025
	ss.	3198 021 56890	S 3506	Res, 1M5, 5%, 1/2W, Metalized Glass.	2322 242 13155
3212	Res, 470 ohm, 5%, 1/10W, Metalized Gl		S 3507	Surge Protector.	2422 549 43073
	ass.	3198 021 54710	S 3508	Res, 220 ohm, 20%, 1/2W, Carbon Film	3198 013 02210
3213	Res, 560 ohm, 5%, 1/6W, Carbon Film.	3198 011 05610	S 3510	NTC, DC, B57237, 3W1, 4R7, 20% . . .	2122 612 00056
3214	Res, 100 ohm, 5%, 1/10W, Metalized Gl		3519	Res, 270 ohm, 5%, 1/6W, Carbon Film.	3198 011 02710
	ass.	3198 021 51010	3520	Res, 1K2, 5%, 1/10W, Metalized Glass	3198 021 51220

S = Safety Part Be sure to use exact replacement part.

SC3132N321 (continued)

3521	Res, 4R7, 5%, 1/6W, Carbon Film. . .	3198 011 04780	4401	Res, Zero ohm, "Chip" Jumper	3198 021 90020
3522	Res, 330K, 1%, 1/8W, Metalized Glass	2322 734 63304	4402	Res, Zero ohm, "Chip" Jumper	3198 021 90020
S 3523	Res, 100 ohm, 5%, 1/3W, Metal Film . .	2306 204 03101	4430	Res, Zero ohm, "Chip" Jumper	3198 021 90020
3524	Res, 56K, 5%, 1/10W, Metalized Glass	3198 021 55630	4500	Res, Zero ohm, "Chip" Jumper	3198 021 90020
3525	Res, 1K, 5%, 1/10W, Metalized Glass.	3198 021 51020	4604	Res, 3K3, 5%, 1/10W, Metalized Glass	3198 021 53320
3526	Res, 0R1, 5%, 3/5W, Metal Film . . .	3198 012 11070	4613	Res, Zero ohm, "Chip" Jumper	3198 021 90020
3527	Res, 0R33, 5%, 3/5W, Metal Film. . .	3198 012 13370	4614	Res, Zero ohm, "Chip" Jumper	3198 021 90020
3528	Res, Zero ohm, "Chip" Jumper	3198 021 90020	4615	Res, Zero ohm, "Chip" Jumper	3198 021 90020
3529	Res, 47K, 5%, 1/10W, Metalized Glass	3198 021 54730	4617	Res, Zero ohm, "Chip" Jumper	3198 021 90020
3530	Res, 10K, 5%, 1/10W, Metalized Glass	3198 021 51030	4619	Res, Zero ohm, "Chip" Jumper	3198 021 90020
3531	Res, 4K7, 5%, 1/10W, Metalized Glass	3198 021 54720	4622	Res, Zero ohm, "Chip" Jumper	3198 021 90020
S 3532	Res, 2K2, 5%, 1/3W, Metal Film . . .	2306 204 03222	4623	Res, Zero ohm, "Chip" Jumper	3198 021 90020
3541	Res, 470 ohm, 5%, 1/10W, Metalized Gl ass.	3198 021 54710	4691	Res, Zero ohm, "Chip" Jumper	3198 021 90020
			4692	Res, Zero ohm, "Chip" Jumper	3198 021 90020
3542	Res, 1K5, 5%, 1/10W, Metalized Glass	3198 021 51520	4693	Res, Zero ohm, "Chip" Jumper	3198 021 90020
3543	Res, 82K, 1%, 3/5W, Metal Film . . .	2312 915 18203	4696	Res, Zero ohm, "Chip" Jumper	3198 021 90020
3544	Res, 4K7, 1%, 1/8W, Metalized Glass.	2322 734 64702	4804	Res, Zero ohm, "Chip" Jumper	3198 021 90020
3545	Res, 270K, 5%, 1/8W, Metalized Glass	2322 730 61274	4811	Res, Zero ohm, "Chip" Jumper	3198 021 90020
3548	Res, 15K, 5%, 1/10W, Metalized Glass	3198 021 51530	4831	Res, Zero ohm, "Chip" Jumper	3198 021 90020
3558	Res, 330 ohm, 5%, 1W, Metal Film . .	3198 012 13310	4833	Res, Zero ohm, "Chip" Jumper	3198 021 90020
3561	Res, 100 ohm, 5%, 1/6W, Carbon Film.	3198 011 01010	4835	Res, Zero ohm, "Chip" Jumper	3198 021 90020
3562	Res, 12K, 5%, 1/10W, Metalized Glass	3198 021 51230	4901	Res, Zero ohm, "Chip" Jumper	3198 021 90020
3563	Res, 5K6, 5%, 1/10W, Metalized Glass	3198 021 55620	4903	Res, Zero ohm, "Chip" Jumper	3198 021 90020
3564	Res, 0R1, 5%, 1 1/3W, Metal Film . .	3198 012 21070	4982	Res, Zero ohm, "Chip" Jumper	3198 021 90020
3567	Res, 1K8, 5%, 1/10W, Metalized Glass	3198 021 51820	5001	Coil, 27u.	3198 018 22790
3580	Res, 47K, 5%, 1/10W, Metalized Glass	3198 021 54730	5002	Coil, 820n	3198 018 18270
3594	Res, 330 ohm, 5%, 1/10W, Metalized Gl ass.	3198 021 53310	5201	Coil, 6u8.	3198 018 16880
			5202	Wire Jumper, 0.58MM.	3198 036 90010
3595	Res, 220K, 5%, 1/10W, Metalized Glass	3198 021 52240	5204	Fixed, Inductor, 100MHZ, 80 ohm. . .	3198 018 90020
3596	Res, 220K, 5%, 1/10W, Metalized Glass	3198 021 52240	5205	Fixed, Inductor, 100MHZ, 80 ohm. . .	3198 018 90020
3601	Res, 8K2, 5%, 1/6W, Carbon Film. . .	3198 011 08220	5206	Fixed, Inductor, 100MHZ, 80 ohm. . .	3198 018 90020
3603	Res, 100 ohm, 5%, 1/6W, Carbon Film.	3198 011 01010	5241	Wire Jumper, 0.58MM.	3198 036 90010
3604	Res, 100 ohm, 5%, 1/6W, Carbon Film.	3198 011 01010	5242	Coil, 10u.	3198 018 11090
3605	Res, 4K7, 5%, 1/10W, Metalized Glass	3198 021 54720	5401	Coil, 1m	3198 018 71020
3606	Res, 2K2, 5%, 1/6W, Carbon Film. . .	3198 011 02220	S 5445	Transformer, PSL0T	3128 138 21421
3607	Res, 2K2, 5%, 1/6W, Carbon Film. . .	3198 011 02220	5451	Coil, 33u.	3198 018 73390
3608	Res, 100 ohm, 5%, 1/6W, Carbon Film.	3198 011 01010	5452	Fixed, Inductor, 100MHZ, 80 ohm. . .	3198 018 90020
3609	Res, 1K, 5%, 1/6W, Carbon Film . . .	3198 011 01020	5457	Coil, Linear, DC12	3128 138 55881
3610	Res, 8K2, 5%, 1/6W, Carbon Film. . .	3198 011 08220	5461	Transformer, Signal Driver, SC10015-0 0 B.	2422 531 02465
3611	Res, 100 ohm, 5%, 1/10W, Metalized Gl ass.	3198 021 51010	5463	Coil, Choke.	3128 138 37021
3618	Res, 6K8, 5%, 1/6W, Carbon Film. . .	3198 011 06820	5471	Coil, 3u3.	3198 018 73380
3622	Res, 100 ohm, 5%, 1/10W, Metalized Gl ass.	3198 021 51010	5472	Coil, 3u3.	3198 018 23380
			5480	Coil, 4u7.	2422 535 94213
3623	Res, 4K7, 5%, 1/10W, Metalized Glass	3198 021 54720	S 5501	Filter, Mains, 5mH, 2A	2422 549 43432
3624	Res, 100 ohm, 5%, 1/6W, Carbon Film.	3198 011 01010	S 5520	Transformer, Layer, SS39009-04 B . .	2422 531 02459
3625	Res, 100 ohm, 5%, 1/6W, Carbon Film.	3198 011 01010	5521	Fixed, Inductor, 100MHZ, 50R. . . .	3198 018 90010
3626	Res, 4K7, 5%, 1/10W, Metalized Glass	3198 021 54720	5560	Fixed, Inductor, 100MHZ, 50R. . . .	3198 018 90010
3627	Res, 4K7, 5%, 1/10W, Metalized Glass	3198 021 54720	5561	Coil, 27u.	3198 018 22790
3628	Res, 10K, 5%, 1/10W, Metalized Glass	3198 021 51030	5562	Fixed, Inductor, 100MHZ, 50R. . . .	3198 018 90010
3630	Res, 2K2, 5%, 1/10W, Metalized Glass	3198 021 52220	5564	Fixed, Inductor, 100MHZ, 50R. . . .	3198 018 90010
3632	Res, Zero ohm, "Chip" Jumper	3198 021 90020	5602	Coil, 5u6.	3198 018 15680
3636	Res, 100 ohm, 5%, 1/10W, Metalized Gl ass.	3198 021 51010	5603	Coil, 5u6.	3198 018 15680
			5604	Coil, 5u6.	3198 018 15680
3639	Res, Zero ohm, "Chip" Jumper	3198 021 90020	5831	Coil, 6u8.	3198 018 16880
3681	Res, 390 ohm, 5%, 1/10W, Metalized Gl ass.	3198 021 53910	5832	Coil, 6u8.	3198 018 16880
			5833	Coil, 6u8.	3198 018 16880
3682	Res, 3K3, 5%, 1/10W, Metalized Glass	3198 021 53320	5835	Coil, 12u.	3198 018 31290
3683	Res, 390 ohm, 5%, 1/10W, Metalized Gl ass.	3198 021 53910	6001	Zener Diode, 33 volt	3198 010 23390
			6201	Diode, Signal, BAS316.	3198 010 10630
3684	Res, 560 ohm, 5%, 1/10W, Metalized Gl ass.	3198 021 55610	6202	Diode, Signal, BAS316.	3198 010 10630
			6206	Zener Diode, 6.8 volt.	3198 020 56880
3685	Res, 560 ohm, 5%, 1/10W, Metalized Gl ass.	3198 021 55610	6400	Res, 1K, 1%, 3/5W, Metal Film. . . .	2312 915 11002
			6401	Zener Diode, 47 volt	3198 010 24790
3686	Res, 1K5, 5%, 1/10W, Metalized Glass	3198 021 51520	6445	Zener Diode, 10 volt	3198 020 51090
3691	Res, 330 ohm, 5%, 1/10W, Metalized Gl ass.	3198 021 53310	6447	Diode, Signal, 1N4148.	3198 010 10010
			6448	Zener Diode, 6.2 volt.	9331 668 30133
3693	Res, 220 ohm, 5%, 1/10W, Metalized Gl ass.	3198 021 52210	6449	Diode, Signal, BAV99	3198 010 10620
			6460	Diode, Rect, DG3-7005L.	9336 436 10682
3801	Res, 220 ohm, 5%, 1/6W, Carbon Film.	3198 011 02210	6461	Diode, Rect, RGP30J-L7004	9338 617 60682
3802	Res, 1K, 5%, 1/6W, Carbon Film . . .	3198 011 01020	6462	Zener Diode, 9.1 volt.	9331 177 80133
3831	Res, 47K, 5%, 1/10W, Metalized Glass	3198 021 54730	6465	Diode, Signal, BAV21	3198 010 10070
3832	Res, 100 ohm, 5%, 1/6W, Carbon Film.	3198 011 01010	6466	Diode, Signal, BAV21	3198 010 10070
3833	Res, 100 ohm, 5%, 1/6W, Carbon Film.	3198 011 01010	6467	Diode, Signal, BAS316.	3198 010 10630
3836	Res, 1K, 5%, 1/10W, Metalized Glass.	3198 021 51020	6468	Diode, Signal, BAS316.	3198 010 10630
3837	Res, 100 ohm, 5%, 1/6W, Carbon Film.	3198 011 01010	6469	Diode, Rect, BYD33J	9337 234 20133
3838	Res, 1K, 5%, 1/10W, Metalized Glass.	3198 021 51020	6470	Diode, Signal, BAV99	3198 010 10620
3839	Res, 100 ohm, 5%, 1/6W, Carbon Film.	3198 011 01010	6476	Zener Diode, 15 volt	3198 010 21590
3843	Res, 2K2, 5%, 1/10W, Metalized Glass	3198 021 52220	6481	Zener Diode, 5.6 volt.	3198 010 25680
3901	Res, 1K, 5%, 1/10W, Metalized Glass.	3198 021 51020	6482	Zener Diode, 9.1 volt.	9331 177 80133
3902	Res, 3K3, 5%, 1/10W, Metalized Glass	3198 021 53320	6483	Zener Diode, 33 volt	3198 010 23390
3903	Res, 3K3, 5%, 1/10W, Metalized Glass	3198 021 53320	6485	Diode, Rect, BYD33J	9337 234 20133
3904	Res, 10K, 5%, 1/10W, Metalized Glass	3198 021 51030	6486	Diode, Rect, EGP20DL-5100	9322 164 42682
3905	Res, 3K3, 5%, 1/10W, Metalized Glass	3198 021 53320	6487	Diode, Rect, BYD33D	9337 234 00133
3906	Res, 10K, 5%, 1/10W, Metalized Glass	3198 021 51030	6488	Diode, Rect, EGP20DL-5100	9322 164 42682
3907	Res, 8K2, 5%, 1/10W, Metalized Glass	3198 021 58220	6500	Diode, Bridge Rect, GBU4JL-7002 . .	9322 132 55667
4001	Res, Zero ohm, "Chip" Jumper	3198 021 90020	6520	Diode, Rect, BYD33D	9337 234 00133
4002	Res, Zero ohm, "Chip" Jumper	3198 021 90020	6523	Diode, Signal, 1N4148.	3198 010 10010
4181	Res, Zero ohm, "Chip" Jumper	3198 021 90020	6524	Diode, Rect, 1N5062	3198 010 10120
4209	Res, Zero ohm, "Chip" Jumper	3198 021 90020	6525	Diode, Rect, 1N5062	3198 010 10120
4216	Res, Zero ohm, "Chip" Jumper	3198 021 90020	6526	Zener Diode, 22 volt	3198 020 52290
4217	Res, Zero ohm, "Chip" Jumper	3198 021 90020	6540	Zener Diode, 6.2 volt.	9331 668 30133

S = Safety Part Be sure to use exact replacement part.

SC3132N321 (continued)

6541	Zener Diode, 10 volt	3198	020	51090	9522	Wire Jumper, 0.58MM.	3198	036	90010
6560	Diode, Rect, BYV29X-500	9340	555	59127	9524	Wire Jumper, 0.58MM.	3198	036	90010
6561	Diode, Rect, SB340L-7010.	9322	128	18682	9525	Wire Jumper, 0.58MM.	3198	036	90010
6563	Diode, Signal, BAS316.	3198	010	10630	9528	Wire Jumper, 0.58MM.	3198	036	90010
6565	Diode, Signal, BAV70	9331	849	10215	9610	Wire Jumper, 0.58MM.	3198	036	90010
6580	Diode, Signal, BAS316.	3198	010	10630	9611	Coil, 27u.	3198	018	22790
6681	Diode, Signal, BAT85	9336	247	60133	9612	Wire Jumper, 0.58MM.	3198	036	90010
6691	LED, LTL-10224WHCR.	9322	050	99682	9613	Wire Jumper, 0.58MM.	3198	036	90010
6692	IR Receiver, TSOP1836UH3V	9322	127	54667	9614	Wire Jumper, 0.58MM.	3198	036	90010
6831	Diode, Signal, 1N4148.	3198	010	10010	9615	Wire Jumper, 0.58MM.	3198	036	90010
6901	Res, Zero ohm, "Chip" Jumper	3198	021	90020	9616	Wire Jumper, 0.58MM.	3198	036	90010
7200	IC, TDA9563H/N1/4.	9352	693	25557	9617	Wire Jumper, 0.58MM.	3198	036	90010
7201	Transistor, NPN, BC847B.	3198	010	42030	9618	Wire Jumper, 0.58MM.	3198	036	90010
7204	Transistor, PNP, BC857B.	3198	010	42150	9619	Wire Jumper, 0.58MM.	3198	036	90010
7205	Transistor, PNP, BC857B.	3198	010	42150	9620	Wire Jumper, 0.58MM.	3198	036	90010
7208	Transistor, PNP, BC857B.	3198	010	42150	9621	Wire Jumper, 0.58MM.	3198	036	90010
7400	FET Power, STP3NC60FP.	9322	157	37687	9622	Wire Jumper, 0.58MM.	3198	036	90010
7441	Transistor, NPN, BC857B.	3198	010	42150	9623	Wire Jumper, 0.58MM.	3198	036	90010
7443	Transistor, PNP, BC557B.	3198	020	40110	9624	Wire Jumper, 0.58MM.	3198	036	90010
7460	Transistor, NPN, BU4508DX.	9340	550	92127	9625	Wire Jumper, 0.58MM.	3198	036	90010
7461	Transistor, NPN, BC337-25.	3198	020	43530	9626	Wire Jumper, 0.58MM.	3198	036	90010
7462	Transistor, NPN, PDT143ZT	9340	547	00215	9627	Wire Jumper, 0.58MM.	3198	036	90010
7463	Transistor, PNP, BC327-25.	3198	020	43430	9628	Wire Jumper, 0.58MM.	3198	036	90010
7471	IC, TDA8359J/N2.	9352	701	64112	9629	Wire Jumper, 0.58MM.	3198	036	90010
7480	Transistor, NPN, BD135	3198	020	41010	9630	Wire Jumper, 0.58MM.	3198	036	90010
7482	Transistor, NPN, BD135	3198	020	41010	9631	Wire Jumper, 0.58MM.	3198	036	90010
S 7515	Optic, Coupler, TCET1104(G).	9322	175	72667	9632	Wire Jumper, 0.58MM.	3198	036	90010
7520	IC, TEA1507P/N1.	9352	673	56112	9633	Wire Jumper, 0.58MM.	3198	036	90010
7521	FET Power, STP8NC50FP.	9322	160	72687	9634	Wire Jumper, 0.58MM.	3198	036	90010
7522	Transistor, NPN, BC847B.	3198	010	42030	9637	Wire Jumper, 0.58MM.	3198	036	90010
7540	Transistor, NPN, BC547B.	3198	020	40030	9638	Wire Jumper, 0.58MM.	3198	036	90010
7560	IC, L78L33ACZ.	9322	134	92676	9639	Wire Jumper, 0.58MM.	3198	036	90010
7561	Transistor, NPN, PDT143ZT	9340	547	00215	9640	Wire Jumper, 0.58MM.	3198	036	90010
7580	Transistor, PNP, BC857B.	3198	010	42150	9641	Wire Jumper, 0.58MM.	3198	036	90010
7602	IC, M24C16-WB6.	9322	147	25682	9642	Wire Jumper, 0.58MM.	3198	036	90010
7606	Transistor, NPN, PDT143ZT	9340	547	00215	9643	Wire Jumper, 0.58MM.	3198	036	90010
7801	IC, HEF4052BT.	9333	729	50653	9644	Wire Jumper, 0.58MM.	3198	036	90010
7831	IC, MSP3445G-PO-B8	9322	160	81682	9645	Wire Jumper, 0.58MM.	3198	036	90010
7901	IC, AN7522N	9322	181	41682	9646	Wire Jumper, 0.58MM.	3198	036	90010
9001	Wire Jumper, 0.58MM.	3198	036	90010	9648	Wire Jumper, 0.58MM.	3198	036	90010
9111	Wire Jumper, 0.58MM.	3198	036	90010	9650	Wire Jumper, 0.58MM.	3198	036	90010
9112	Wire Jumper, 0.58MM.	3198	036	90010	9654	Wire Jumper, 0.58MM.	3198	036	90010
9113	Wire Jumper, 0.58MM.	3198	036	90010	9655	Wire Jumper, 0.58MM.	3198	036	90010
9171	Wire Jumper, 0.58MM.	3198	036	90010	9656	Wire Jumper, 0.58MM.	3198	036	90010
9172	Wire Jumper, 0.58MM.	3198	036	90010	9657	Wire Jumper, 0.58MM.	3198	036	90010
9173	Wire Jumper, 0.58MM.	3198	036	90010	9658	Wire Jumper, 0.58MM.	3198	036	90010
9175	Wire Jumper, 0.58MM.	3198	036	90010	9659	Wire Jumper, 0.58MM.	3198	036	90010
9176	Wire Jumper, 0.58MM.	3198	036	90010	9660	Wire Jumper, 0.58MM.	3198	036	90010
9178	Wire Jumper, 0.58MM.	3198	036	90010	9661	Wire Jumper, 0.58MM.	3198	036	90010
9179	Wire Jumper, 0.58MM.	3198	036	90010	9662	Wire Jumper, 0.58MM.	3198	036	90010
9182	Wire Jumper, 0.58MM.	3198	036	90010	9663	Wire Jumper, 0.58MM.	3198	036	90010
9183	Wire Jumper, 0.58MM.	3198	036	90010	9664	Wire Jumper, 0.58MM.	3198	036	90010
9192	Wire Jumper, 0.58MM.	3198	036	90010	9665	Wire Jumper, 0.58MM.	3198	036	90010
9193	Wire Jumper, 0.58MM.	3198	036	90010	9666	Wire Jumper, 0.58MM.	3198	036	90010
9406	Wire Jumper, 0.58MM.	3198	036	90010	9668	Wire Jumper, 0.58MM.	3198	036	90010
9407	Wire Jumper, 0.58MM.	3198	036	90010	9669	Wire Jumper, 0.58MM.	3198	036	90010
9408	Wire Jumper, 0.58MM.	3198	036	90010	9670	Wire Jumper, 0.58MM.	3198	036	90010
9409	Wire Jumper, 0.58MM.	3198	036	90010	9672	Coil, 27u.	2422	535	95366
9410	Wire Jumper, 0.58MM.	3198	036	90010	9674	Wire Jumper, 0.58MM.	3198	036	90010
9411	Wire Jumper, 0.58MM.	3198	036	90010	9675	Wire Jumper, 0.58MM.	3198	036	90010
9412	Wire Jumper, 0.58MM.	3198	036	90010	9676	Wire Jumper, 0.58MM.	3198	036	90010
9413	Wire Jumper, 0.58MM.	3198	036	90010	9678	Coil, 27u.	2422	535	95366
9414	Wire Jumper, 0.58MM.	3198	036	90010	9679	Wire Jumper, 0.58MM.	3198	036	90010
9415	Wire Jumper, 0.58MM.	3198	036	90010	9680	Wire Jumper, 0.58MM.	3198	036	90010
9416	Wire Jumper, 0.58MM.	3198	036	90010	9683	Wire Jumper, 0.58MM.	3198	036	90010
9417	Wire Jumper, 0.58MM.	3198	036	90010	9685	Wire Jumper, 0.58MM.	3198	036	90010
9418	Wire Jumper, 0.58MM.	3198	036	90010	9686	Wire Jumper, 0.58MM.	3198	036	90010
9419	Wire Jumper, 0.58MM.	3198	036	90010	9687	Wire Jumper, 0.58MM.	3198	036	90010
9421	Wire Jumper, 0.58MM.	3198	036	90010	9688	Wire Jumper, 0.58MM.	3198	036	90010
9422	Wire Jumper, 0.58MM.	3198	036	90010	9689	Wire Jumper, 0.58MM.	3198	036	90010
9423	Wire Jumper, 0.58MM.	3198	036	90010	9690	Wire Jumper, 0.58MM.	3198	036	90010
9424	Wire Jumper, 0.58MM.	3198	036	90010	9691	Wire Jumper, 0.58MM.	3198	036	90010
9425	Wire Jumper, 0.58MM.	3198	036	90010	9694	Wire Jumper, 0.58MM.	3198	036	90010
9426	Wire Jumper, 0.58MM.	3198	036	90010	9695	Wire Jumper, 0.58MM.	3198	036	90010
9427	Wire Jumper, 0.58MM.	3198	036	90010	9697	Wire Jumper, 0.58MM.	3198	036	90010
9453	Wire Jumper, 0.58MM.	3198	036	90010	9698	Wire Jumper, 0.58MM.	3198	036	90010
9460	Wire Jumper, 0.58MM.	3198	036	90010	9699	Wire Jumper, 0.58MM.	3198	036	90010
9463	Wire Jumper, 0.58MM.	3198	036	90010	9821	Wire Jumper, 0.58MM.	3198	036	90010
9500	Wire Jumper, 0.58MM.	3198	036	90010	9822	Wire Jumper, 0.58MM.	3198	036	90010
9501	Wire Jumper, 0.58MM.	3198	036	90010	9823	Wire Jumper, 0.58MM.	3198	036	90010
9503	Wire Jumper, 0.58MM.	3198	036	90010	9824	Wire Jumper, 0.58MM.	3198	036	90010
9506	Wire Jumper, 0.58MM.	3198	036	90010	9825	Wire Jumper, 0.58MM.	3198	036	90010
9507	Wire Jumper, 0.58MM.	3198	036	90010	9827	Wire Jumper, 0.58MM.	3198	036	90010
9510	Wire Jumper, 0.58MM.	3198	036	90010	9828	Wire Jumper, 0.58MM.	3198	036	90010
9512	Wire Jumper, 0.58MM.	3198	036	90010	9829	Wire Jumper, 0.58MM.	3198	036	90010
9513	Wire Jumper, 0.58MM.	3198	036	90010	9830	Wire Jumper, 0.58MM.	3198	036	90010
9514	Wire Jumper, 0.58MM.	3198	036	90010	9831	Wire Jumper, 0.58MM.	3198	036	90010
9515	Wire Jumper, 0.58MM.	3198	036	90010	9832	Wire Jumper, 0.58MM.	3198	036	90010
9516	Wire Jumper, 0.58MM.	3198	036	90010	9833	Wire Jumper, 0.58MM.	3198	036	90010
9518	Wire Jumper, 0.58MM.	3198	036	90010	9834	Wire Jumper, 0.58MM.	3198	036	90010
9520	Wire Jumper, 0.58MM.	3198	036	90010	9835	Wire Jumper, 0.58MM.	3198	036	90010
9521	Wire Jumper, 0.58MM.	3198	036	90010	9836	Wire Jumper, 0.58MM.	3198	036	90010

S = Safety Part. Be sure to use exact replacement part.

SC3132N321 (continued)

9837	Wire Jumper, 0.58MM.	3198 036 90010	2004	Cap, 330p, 5%, 50v, Ceramic.	3198 016 03310
9838	Wire Jumper, 0.58MM.	3198 036 90010	2005	Cap, 100n, 10%, 16v, Ceramic	3198 017 01040
9839	Wire Jumper, 0.58MM.	3198 036 90010	3001	Res, 150 ohm, 5%, 1/10W, Metalized Gl	
9840	Wire Jumper, 0.58MM.	3198 036 90010		ass.	3198 021 51510
9841	Wire Jumper, 0.58MM.	3198 036 90010	3002	Res, 220K, 5%, 1/10W, Metalized Glass	3198 021 52240
9842	Wire Jumper, 0.58MM.	3198 036 90010	3003	Res, 150 ohm, 5%, 1/10W, Metalized Gl	
9843	Wire Jumper, 0.58MM.	3198 036 90010		ass.	3198 021 51510
9844	Wire Jumper, 0.58MM.	3198 036 90010	3004	Res, 220K, 5%, 1/10W, Metalized Glass	3198 021 52240
9845	Wire Jumper, 0.58MM.	3198 036 90010	3005	Res, 10K, 5%, 1/10W, Metalized Glass	3198 021 51030
9846	Wire Jumper, 0.58MM.	3198 036 90010	3006	Res, 10K, 5%, 1/10W, Metalized Glass	3198 021 51030
9847	Wire Jumper, 0.58MM.	3198 036 90010	3007	Res, 10K, 5%, 1/10W, Metalized Glass	3198 021 51030
9849	Wire Jumper, 0.58MM.	3198 036 90010	3008	Res, 100 ohm, 5%, 1/10W, Glass	3198 021 51010
9851	Wire Jumper, 0.58MM.	3198 036 90010	3009	Res, 10K, 5%, 1/10W, Metalized Glass	3198 021 51030
9901	Wire Jumper, 0.58MM.	3198 036 90010	3010	Res, 10K, 5%, 1/10W, Metalized Glass	3198 021 51030
9902	Wire Jumper, 0.58MM.	3198 036 90010	3011	Res, 100 ohm, 5%, 1/10W, Glass	3198 021 51010
9903	Wire Jumper, 0.58MM.	3198 036 90010	3012	Res, 10K, 5%, 1/10W, Metalized Glass	3198 021 51030
9904	Wire Jumper, 0.58MM.	3198 036 90010	3013	Res, 100K, 5%, 1/10W, Metalized Glass	3198 021 51040
9905	Wire Jumper, 0.58MM.	3198 036 90010	3014	Res, 10K, 5%, 1/10W, Metalized Glass	3198 021 51030
9911	Wire Jumper, 0.58MM.	3198 036 90010	3015	Res, 1K, 5%, 1/10W, Metalized Glass.	3198 021 51020
9912	Wire Jumper, 0.58MM.	3198 036 90010	3016	Res, 47 ohm, 5%, 1/10W, Metalized Gla	
9913	Wire Jumper, 0.58MM.	3198 036 90010		ss.	3198 021 54790
9914	Wire Jumper, 0.58MM.	3198 036 90010	3017	Res, 100K, 5%, 1/10W, Metalized Glass	3198 021 51040
9915	Wire Jumper, 0.58MM.	3198 036 90010	6001	Zener Diode, 5.6 volt.	3198 010 25680
9916	Wire Jumper, 0.58MM.	3198 036 90010	6002	Zener Diode, 5.6 volt.	3198 010 25680
9918	Wire Jumper, 0.58MM.	3198 036 90010	6003	Zener Diode, 5.6 volt.	3198 010 25680
9919	Wire Jumper, 0.58MM.	3198 036 90010	6004	Zener Diode, 5.6 volt.	3198 010 25680
9920	Wire Jumper, 0.58MM.	3198 036 90010	6005	Diode, Signal, 1N4148.	3198 010 10010
9921	Wire Jumper, 0.58MM.	3198 036 90010	7001	Transistor, NPN, BC547B.	3198 020 40030
9991	Wire Jumper, 0.58MM.	3198 036 90010	7002	Transistor, NPN, BC847B.	3198 010 42030
9993	Wire Jumper, 0.58MM.	3198 036 90010	7003	Transistor, NPN, BC847B.	3198 010 42030
9994	Wire Jumper, 0.58MM.	3198 036 90010	7004	Transistor, NPN, BC847B.	3198 010 42030
9996	Wire Jumper, 0.58MM.	3198 036 90010	9002	Wire Jumper, 0.58MM.	3198 036 90010
9997	Wire Jumper, 0.58MM.	3198 036 90010	9003	Wire Jumper, 0.58MM.	3198 036 90010
9998	Wire Jumper, 0.58MM.	3198 036 90010	9004	Wire Jumper, 0.58MM.	3198 036 90010
CBA	Main Chassis Assembly.	3139 177 28161			

CRT Panel Parts (Part of Main Chassis)

	CRT Panel Parts (Part of Main Chassis)		
S 0244	Connector, 5 Pin	2422 025 04853	
S 0245	Connector, 6 Pin	2422 025 04854	
S 0254	Socket, CRT, 9 Pin, N-Neck	2422 500 80076	
2330	Cap, 100n, 10%, 250v, Metalized Polyp ropylene	2222 368 90177	
2340	Cap, 10u, 20%, 250v, Electrolytic.	2020 012 93495	
2341	Cap, 3n3, 10%, 500v, Ceramic	3198 019 43320	
2342	Cap, 560p, 5%, 50v, Ceramic.	3198 016 05610	
2343	Cap, 3n3, 10%, 2000v, Ceramic.	2020 558 90529	
2344	Cap, 100n, ±20%, 25v, Ceramic.	3198 023 21040	
2345	Cap, 1n, 10%, 500v, Ceramic.	3198 019 41020	
3331	Res, 100 ohm, 5%, 1/6W, Carbon Film.	3198 011 01010	
3332	Res, 1K, 20%, 1/2W, Carbon Film.	3198 013 01020	
3333	Res, 100 ohm, 5%, 1/6W, Carbon Film.	3198 011 01010	
3334	Res, 1K, 20%, 1/2W, Carbon Film.	3198 013 01020	
3335	Res, 100 ohm, 5%, 1/6W, Carbon Film.	3198 011 01010	
3336	Res, 1K, 20%, 1/2W, Carbon Film.	3198 013 01020	
S 3340	Res, 10 ohm, 5%, 1/2W, Metal Film.	2306 207 03109	
S 3341	Res, 1 ohm, 5%, 1/3W, Metal Film.	2306 204 03108	
S 3342	Res, 1 ohm, 5%, 1/3W, Metal Film.	2306 204 03108	
3343	Res, 1K5, 20%, 1/2W, Carbon Film.	3198 013 01520	
3344	Res, 22 ohm, 5%, 1/6W, Carbon Film.	3198 011 02290	
S 3345	VDR, DC, 1mA, 50V, MAX, 115V	2322 593 13507	
3346	Res, 22 ohm, 5%, 1/6W, Carbon Film.	3198 011 02290	
3347	Res, Zero ohm, "Chip" Jumper	3198 021 90020	
3350	Res, Zero ohm, "Chip" Jumper	3198 021 90020	
3353	Res, Zero ohm, "Chip" Jumper	3198 021 90020	
5342	Coil, 15u.	2422 535 97331	
6331	Diode, Signal, BAV21	3198 010 10070	
6332	Diode, Signal, BAS316.	3198 010 10630	
6333	Diode, Signal, BAV21	3198 010 10070	
6335	Diode, Signal, BAV21	3198 010 10070	
7330	IC, TDA6107Q/N2.	9352 576 50112	
9311	Wire Jumper, 0.58MM.	3198 036 90010	
9341	Wire Jumper, 0.58MM.	3198 036 90010	
9342	Wire Jumper, 0.58MM.	3198 036 90010	
9343	Wire Jumper, 0.58MM.	3198 036 90010	

Jack Panel Parts - 313912729721

	Jack Panel Parts - 313912729721		
CBA	Jack Panel Assembly.	3139 127 29721	
0152	Cable, 5 Pin, 400mm.	3135 121 00031	
1002	Connector, 3 Pin	2422 025 16601	
1003	Socket, Cinch, 1 Pin	2422 026 04374	
1004	Socket, Cinch, 1 Pin	2422 026 04912	
1005	Connector, 6 Pin	2422 025 15776	
1006	Connector, 9 Pin	2422 025 06354	
1007	Connector, 5 Pin	2422 025 16759	
1008	Connector, 5 Pin	2422 025 06353	
1009	Socket, Click, 4 Pin	2422 015 18711	
1010	Switch, Slide, 2P/2Pos, 6A	2422 127 00482	
2001	Cap, 2u2, 20%, 50v, Electrolytic	3198 028 52280	
2002	Cap, 2u2, 20%, 50v, Electrolytic	3198 028 52280	
2003	Cap, 330p, 5%, 50v, Ceramic.	3198 016 03310	

Comb Filter Panel Parts - 313912729671

	Comb Filter Panel Parts - 31391272967		
CBA	Comb Filter Panel Assembly	3139 127 29671	
0150	Cable, 3 Pin, 400mm.	3135 121 00181	
0162	Cable, 7 Pin, 220mm.	3135 121 00131	
1000	Connector, 4 Pin	2422 025 12479	
1102	Crystal, Resonator, 32KHz768	2422 543 00056	
1215	Connector, 3 Pin	2422 025 16383	
1229	Connector, 7 Pin	2422 025 17209	
1237	Connector, 4 Pin	2422 025 15847	
1242	Connector, 3 Pin	2412 020 00725	
1254	Connector, 3 Pin	2422 025 16936	
2000	Cap, 100u, 20%, 10v, Electrolytic.	3198 025 11010	
2001	Cap, 100n, +80/-20%, 25v, Ceramic.	3198 023 21040	
2002	Cap, 100n, +80/-20%, 25v, Ceramic.	3198 023 21040	
2003	Cap, 100n, +80/-20%, 25v, Ceramic.	3198 023 21040	
2004	Cap, 100n, +80/-20%, 25v, Ceramic.	3198 023 21040	
2011	Cap, 100n, +80/-20%, 25v, Ceramic.	3198 023 21040	
2012	Cap, 1u, +80/-20%, 16v, Ceramic.	3198 017 21050	
2013	Cap, 100p, 5%, 50v, Ceramic.	3198 016 01010	
2014	Cap, 220n, +80/-20%, 25v, Ceramic.	3198 023 22240	
2020	Cap, 47p, 5%, 50v, Ceramic.	3198 016 04790	
2021	Cap, 100n, +80/-20%, 25v, Ceramic.	3198 023 21040	
2023	Cap, 100n, +80/-20%, 25v, Ceramic.	3198 023 21040	
2025	Cap, 100n, +80/-20%, 25v, Ceramic.	3198 023 21040	
2111	Cap, 47u, 20%, 25v, Electrolytic	3198 025 34790	
2113	Battery, Lithium, 3V, 35mAH.	2422 526 01254	
2118	Cap, 100p, 5%, 50v, Ceramic.	3198 016 01010	
2119	Cap, 100p, 5%, 50v, Ceramic.	3198 016 01010	
2120	Cap, 22u, 20%, 16v, Electrolytic	3198 028 22290	
2122	Cap, 6p8, 7%, 50v, Ceramic	3198 016 06880	
2123	Cap, 100n, 10%, 16v, Ceramic	3198 017 01040	
2124	Cap, 470n, +80/-20%, 16v, Ceramic.	3198 017 24740	
2125	Cap, 470n, +80/-20%, 16v, Ceramic.	3198 017 24740	
2126	Cap, 470n, +80/-20%, 16v, Ceramic.	3198 017 24740	
3012	Res, 220 ohm, 5%, 1/10W, Metalized Gl		
3013	ass.	3198 021 52210	
	Res, 220 ohm, 5%, 1/10W, Metalized Gl		
	ass.	3198 021 52210	
3020	Res, 4K7, 5%, 1/10W, Metalized Glass	3198 021 54720	
3026	Res, 2M2, 5%, 1/10W, Metalized Glass	3198 021 52250	
3027	Res, 4K7, 5%, 1/10W, Metalized Glass	3198 021 54720	
3110	Res, 10K, 5%, 1/10W, Metalized Glass	3198 021 51030	
3111	Res, 2K7, 5%, 1/10W, Metalized Glass	3198 021 52720	
3116	Res, 100 ohm, 5%, 1/10W, Glass	3198 021 51010	
3117	Res, 100 ohm, 5%, 1/10W, Glass	3198 021 51010	
3120	Res, 100K, 5%, 1/10W, Metalized Glass	3198 021 51040	
3121	Res, 47K, 5%, 1/10W, Metalized Glass	3198 021 54730	
3122	Res, 1K5, 5%, 1/10W, Metalized Glass	3198 021 51520	
3123	Res, 330 ohm, 5%, 1/10W, Metalized Gl		
	ass.	3198 021 53310	
3124	Res, 560 ohm, 5%, 1/10W, Metalized Gl		
	ass.	3198 021 55610	
3125	Res, 330 ohm, 5%, 1/10W, Metalized Gl		
	ass.	3198 021 53310	
4001	Res, Zero ohm, "Chip" Jumper	3198 021 90020	
5000	Coil, 10u.	3198 018 31090	

S = Safety Part Be sure to use exact replacement part.

SC3132N321 (continued)

5012	Coil, 15u.	2422	535	94296
5104	Coil, 6u8.	3198	018	26880
6110	Diode, Signal, BAS316.	3198	010	10630
7000	IC, SAA4961/V3/S1.	9352	609	51112
7110	IC, MK41T56N-00.	9322	078	54682
7111	IC, HEF4052BT.	9333	729	50653
7112	Transistor, NPN, BC847B.	3198	010	42030
7113	Transistor, PNP, BC857B.	3198	010	42150
9001	Wire Jumper, 0.58MM.	3198	036	90010
9002	Wire Jumper, 0.58MM.	3198	036	90010
9003	Wire Jumper, 0.58MM.	3198	036	90010

7715	Transistor, NPN, BC847B.	3198	010	42030
7716	Transistor, NPN, BC847B.	3198	010	42030
9001	Wire Jumper, 0.58MM.	3198	036	90010
9002	Wire Jumper, 0.58MM.	3198	036	90010
9003	Wire Jumper, 0.58MM.	3198	036	90010
9004	Wire Jumper, 0.58MM.	3198	036	90010
9005	Wire Jumper, 0.58MM.	3198	036	90010
9007	Wire Jumper, 0.58MM.	3198	036	90010
9008	Wire Jumper, 0.58MM.	3198	036	90010
9009	Wire Jumper, 0.58MM.	3198	036	90010
9010	Wire Jumper, 0.58MM.	3198	036	90010
9021	Wire Jumper, 0.58MM.	3198	036	90010

Interface Panel (ITV) Parts - 313913721461

Interface Panel (ITV) Parts - 313913721461

CBA	Interface Panel (ITV) Assembly	3139	137	21461
0149	Cable, 9 Pin, 280mm.	3135	121	00071
0151	Cable, 3 Pin, 280mm.	3135	121	00011
0162	Cable, 7 Pin, 220mm.	3135	121	00051
0163	Cable, 10 Pin, 280mm.	3135	121	00061
0164	Cable, 3 Pin, 400mm.	3135	121	00161
0167	Cable, 4 Pin, 180mm.	3135	121	00081
0168	Cable, 6 Pin, 280mm.	3135	121	00041
0173	Cable, 5 Pin, 400mm.	3135	121	00031
0179	Cable, 4 Pin, 280mm.	3135	121	00201
0217	Connector, 4 Pin.	2422	025	16385
0227	Connector, 6 Pin.	2422	025	15849
0228	Connector, 3 Pin.	2422	025	16407
0237	Connector, 4 Pin.	2422	025	15847
0240	Connector, 7 Pin.	2422	025	11244
0242	Connector, 10 Pin.	2422	025	12484
0259	Connector, 5 Pin.	2422	025	15848
1002	Connector, 3 Pin.	2422	025	16382
1259	Connector, 9 Pin.	2422	025	11243
1800	Connector, 32 Pin.	3135	010	03531
2703	Cap, 100u, 20%, 10v, Electrolytic.	3198	025	11010
2705	Cap, 22p, 5%, 50v, Ceramic.	3198	016	02290
2706	Cap, 4n7, 10%, 50v, Ceramic.	3198	017	04720
2707	Cap, 4n7, 10%, 50v, Ceramic.	3198	017	04720
2709	Cap, 100n, 10%, 16v, Ceramic.	3198	017	01040
2710	Cap, 100n, 10%, 16v, Ceramic.	3198	017	01040
2711	Cap, 100p, 5%, 50v, Ceramic.	3198	016	01010
2712	Cap, 100p, 5%, 50v, Ceramic.	3198	016	01010
2713	Cap, 100n, 10%, 16v, Ceramic.	3198	017	01040
3703	Res, 75 ohm, 5%, 1/10W, Metalized Glass.	3198	021	57590
3707	Res, 10K, 5%, 1/10W, Metalized Glass.	3198	021	51030
3708	Res, 47K, 5%, 1/10W, Metalized Glass.	3198	021	54730
3710	Res, 47K, 5%, 1/10W, Metalized Glass.	3198	021	54730
3715	Res, 100 ohm, 5%, 1/10W, Glass.	3198	021	51010
3716	Res, 10K, 5%, 1/10W, Metalized Glass.	3198	021	51030
3717	Res, 10K, 5%, 1/10W, Metalized Glass.	3198	021	51030
3718	Res, 10K, 5%, 1/10W, Metalized Glass.	3198	021	51030
3719	Res, 4K7, 5%, 1/10W, Metalized Glass.	3198	021	54720
3720	Res, 10K, 5%, 1/10W, Metalized Glass.	3198	021	51030
3721	Res, 4K7, 5%, 1/10W, Metalized Glass.	3198	021	54720
3722	Res, 10K, 5%, 1/10W, Metalized Glass.	3198	021	51030
3723	Res, 33K, 5%, 1/10W, Metalized Glass.	3198	021	53330
3724	Res, 33K, 5%, 1/10W, Metalized Glass.	3198	021	53330
3725	Res, 68K, 5%, 1/10W, Metalized Glass.	3198	021	56830
3726	Res, 10K, 5%, 1/10W, Metalized Glass.	3198	021	51030
3727	Res, 4K7, 5%, 1/10W, Metalized Glass.	3198	021	54720
3728	Res, 10K, 5%, 1/10W, Metalized Glass.	3198	021	51030
3729	Res, 10K, 5%, 1/10W, Metalized Glass.	3198	021	51030
3731	Res, 1K8, 5%, 1/10W, Metalized Glass.	3198	021	51820
3733	Res, 47K, 5%, 1/10W, Metalized Glass.	3198	021	54730
3734	Res, 47K, 5%, 1/10W, Metalized Glass.	3198	021	54730
3735	Res, 75 ohm, 5%, 1/10W, Metalized Glass.	3198	021	57590
3736	Res, 75 ohm, 5%, 1/10W, Metalized Glass.	3198	021	57590
3740	Res, 220 ohm, 20%, 1/2W, Carbon Film.	3198	013	02210
3741	Res, 1K, 5%, 1/10W, Metalized Glass.	3198	021	51020
3742	Res, 4K7, 5%, 1/10W, Metalized Glass.	3198	021	54720
3743	Res, 100 ohm, 5%, 1/10W, Glass.	3198	021	51010
3744	Res, 100 ohm, 5%, 1/10W, Glass.	3198	021	51010
4004	Res, Zero ohm, "Chip" Jumper.	3198	021	90020
4005	Res, Zero ohm, "Chip" Jumper.	3198	021	90020
4006	Res, Zero ohm, "Chip" Jumper.	3198	021	90020
4008	Res, Zero ohm, "Chip" Jumper.	3198	021	90020
4009	Res, Zero ohm, "Chip" Jumper.	3198	021	90020
4010	Res, Zero ohm, "Chip" Jumper.	3198	021	90020
6703	Zener Diode, 5.1 volt.	3198	010	25180
6704	Zener Diode, 8.2 volt.	3198	020	58280
6706	Zener Diode, 8.2 volt.	3198	020	58280
7700	Transistor, NPN, BC847B.	3198	010	42030
7701	Transistor, NPN, BC847B.	3198	010	42030
7704	Transistor, PNP, BC857B.	3198	010	42150
7705	Transistor, PNP, BC857B.	3198	010	42150
7706	Transistor, NPN, BC847B.	3198	010	42030
7707	Transistor, NPN, BC847B.	3198	010	42030
7708	Transistor, NPN, BC847B.	3198	010	42030

Scan 3 Module (ITV) Parts - 313512710241

Scan 3 Module (ITV) Parts - 313512710241

CBA	Scan 3 Module (ITV) Assembly	3135	127	10241
0060	Ribbon, Foil, 5 Pin, 40mm.	2422	015	19454
1000	Connector, 15 Pin.	2422	025	16857
1001	Crystal, Resonator, 20M140.	2422	543	01196
1002	Socket, 2 Pin, SVHS.	2422	033	00365
1004	Socket, Cinch, 6 Pin.	2422	026	04827
1005	Resonator Crystal, 14M31818, 20P.	2422	543	00904
1010	Connector, 32 Pin.	3135	010	03541
1011	Crystal, Resonator, 12MHz, 20 Pin.	2422	543	00488
1012	Connector, 5 Pin.	2422	025	12708
1013	Connector, 14 Pin.	2422	025	12486
2000	Cap, 1u, 20%, 50v, Electrolytic.	3198	030	81080
2001	Cap, 82p, 5%, 50v, Ceramic.	3198	016	08290
2002	Cap, 47p, 5%, 50v, Ceramic.	3198	016	04790
2003	Cap, 15p, 5%, 50v, Ceramic.	3198	016	01590
2004	Cap, 100n, +80/-20%, 25v, Ceramic.	3198	023	21040
2005	Cap, 1u, 20%, 50v, Electrolytic.	3198	030	81080
2006	Cap, 82p, 5%, 50v, Ceramic.	3198	016	08290
2007	Cap, 47p, 5%, 50v, Ceramic.	3198	016	04790
2008	Cap, 47p, 5%, 50v, Ceramic.	3198	016	04790
2009	Cap, 150p, 5%, 50v, Ceramic.	3198	016	01510
2010	Cap, 1u, 20%, 50v, Electrolytic.	3198	030	81080
2011	Cap, 270p, 5%, 50v, Ceramic.	3198	016	02710
2012	Cap, 15p, 5%, 50v, Ceramic.	3198	016	01590
2013	Cap, 47p, 5%, 50v, Ceramic.	3198	016	04790
2014	Cap, 150p, 5%, 50v, Ceramic.	3198	016	01510
2015	Cap, 100p, 5%, 50v, Ceramic.	3198	016	01010
2016	Cap, 22p, 5%, 50v, Ceramic.	3198	016	02290
2017	Cap, 10u, 20%, 20v, Electrolytic.	2020	004	90288
2018	Cap, 270p, 5%, 50v, Ceramic.	3198	016	02710
2019	Cap, 15p, 5%, 50v, Ceramic.	3198	016	01590
2020	Cap, 100n, +80/-20%, 25v, Ceramic.	3198	023	21040
2021	Cap, 47p, 5%, 50v, Ceramic.	3198	016	04790
2022	Cap, 150p, 5%, 50v, Ceramic.	3198	016	01510
2023	Cap, 270p, 5%, 50v, Ceramic.	3198	016	02710
2024	Cap, 82p, 5%, 50v, Ceramic.	3198	016	08290
2025	Cap, 47p, 5%, 50v, Ceramic.	3198	016	04790
2026	Cap, 22p, 5%, 50v, Ceramic.	3198	016	02290
2059	Cap, 100p, 5%, 50v, Ceramic.	3198	016	01010
2060	Cap, 100n, 10%, 16v, Ceramic.	3198	017	01040
2061	Cap, 100n, 10%, 16v, Ceramic.	3198	017	01040
2062	Cap, 100n, 10%, 16v, Ceramic.	3198	017	01040
2063	Cap, 4u7, +80/-20%, 10v, Ceramic.	2020	552	96305
2064	Cap, 100n, 10%, 16v, Ceramic.	3198	017	01040
2065	Cap, 100n, 10%, 16v, Ceramic.	3198	017	01040
2066	Cap, 100n, 10%, 16v, Ceramic.	3198	017	01040
2067	Cap, 100n, 10%, 16v, Ceramic.	3198	017	01040
2068	Cap, 22p, 5%, 50v, Ceramic.	3198	016	02290
2070	Cap, 22p, 5%, 50v, Ceramic.	3198	016	02290
2071	Cap, 100n, 10%, 16v, Ceramic.	3198	017	01040
2072	Cap, 100n, 10%, 16v, Ceramic.	3198	017	01040
2073	Cap, 100n, 10%, 16v, Ceramic.	3198	017	01040
2074	Cap, 4u7, 20%, 35v, Electrolytic.	3198	030	74780
2075	Cap, 100n, 10%, 16v, Ceramic.	3198	017	01040
2076	Cap, 4u7, 20%, 35v, Electrolytic.	3198	030	74780
2077	Cap, 100n, 10%, 16v, Ceramic.	3198	017	01040
2078	Cap, 4u7, 20%, 35v, Electrolytic.	3198	030	74780
2079	Cap, 1n, 10%, 50v, Ceramic.	3198	017	01020
2080	Cap, 100n, 10%, 16v, Ceramic.	3198	017	01040
2081	Cap, 100n, 10%, 16v, Ceramic.	3198	017	01040
2082	Cap, 100n, 10%, 16v, Ceramic.	3198	017	01040
2083	Cap, 100n, 10%, 16v, Ceramic.	3198	017	01040
2084	Cap, 100n, 10%, 16v, Ceramic.	3198	017	01040
2085	Cap, 4u7, 20%, 35v, Electrolytic.	3198	030	74780
2086	Cap, 1n, 10%, 50v, Ceramic.	3198	017	01020
2087	Cap, 100n, 10%, 16v, Ceramic.	3198	017	01040
2088	Cap, 100n, 10%, 16v, Ceramic.	3198	017	01040
2089	Cap, 100n, 10%, 16v, Ceramic.	3198	017	01040
2090	Cap, 100n, 10%, 16v, Ceramic.	3198	017	01040
2091	Cap, 4u7, 20%, 35v, Electrolytic.	3198	030	74780
2092	Cap, 1n, 10%, 50v, Ceramic.	3198	017	01020
2093	Cap, 100n, 10%, 16v, Ceramic.	3198	017	01040
2094	Cap, 100n, 10%, 16v, Ceramic.	3198	017	01040
2095	Cap, 100n, 10%, 16v, Ceramic.	3198	017	01040
2096	Cap, 100n, 10%, 16v, Ceramic.	3198	017	01040
2097	Cap, 100n, 10%, 16v, Ceramic.	3198	017	01040

S = Safety Part Be sure to use exact replacement part.

SC3132N321 (continued)

2098	Cap, 100n, 10%, 16v, Ceramic	3198 017 01040	3063	Res, 820 ohm, 5%, 1/10W, Metalized Gl	
2099	Cap, 470u, 20%, 16v, Electrolytic. . .	3198 025 24710		ass.	3198 021 58210
2100	Cap, 47u, 20%, 25v, Electrolytic . . .	3198 025 34790	3064	Res, 220 ohm, 5%, 1/10W, Metalized Gl	
2101	Cap, lu, 20%, 35v, Electrolytic. . . .	2020 004 90282		ass.	3198 021 52210
2102	Cap, lu, 20%, 35v, Electrolytic. . . .	2020 004 90282	3065	Res, Network, ARV24, 4X 33R, 5%. . . .	2350 035 10339
2103	Cap, lu, 20%, 50v, Electrolytic. . . .	3198 030 81080	3066	Res, Network, ARV24, 4X 33R, 5%. . . .	2350 035 10339
2104	Cap, lu, 20%, 50v, Electrolytic. . . .	3198 030 81080	3073	Res, Network, ARV24, 4X 33R, 5%. . . .	2350 035 10339
2105	Cap, lu, 20%, 50v, Electrolytic. . . .	3198 030 81080	3074	Res, Network, ARV24, 4X 33R, 5%. . . .	2350 035 10339
2106	Cap, lu, 20%, 50v, Electrolytic. . . .	3198 030 81080	3082	Res, Network, ARV24, 4X 33R, 5%. . . .	2350 035 10339
2107	Cap, lu, 20%, 50v, Electrolytic. . . .	3198 030 81080	3085	Res, Network, ARV24, 4X 33R, 5%. . . .	2350 035 10339
2108	Cap, lu, 20%, 50v, Electrolytic. . . .	3198 030 81080	3089	Res, 1K, 5%, 1/10W, Metalized Glass. . .	3198 021 51020
2109	Cap, lu, 20%, 50v, Electrolytic. . . .	3198 030 81080	3090	Res, Network, ARV24, 4X 33R, 5%. . . .	2350 035 10339
2110	Cap, lu, 20%, 50v, Electrolytic. . . .	3198 030 81080	3091	Res, Network, ARV24, 4X 33R, 5%. . . .	2350 035 10339
2111	Cap, lu, 20%, 50v, Electrolytic. . . .	3198 030 81080	3097	Res, 150 ohm, 5%, 1/10W, Metalized Gl	
2112	Cap, lu, 20%, 50v, Electrolytic. . . .	3198 030 81080		ass.	3198 021 51510
2113	Cap, lu, 20%, 50v, Electrolytic. . . .	3198 030 81080	3099	Res, 10K, 5%, 1/10W, Metalized Glass	3198 021 51030
2114	Cap, 470u, 20%, 25v, Electrolytic. . . .	2020 012 93457	3100	Res, 10K, 5%, 1/10W, Metalized Glass	3198 021 51030
2115	Cap, 10u, 20%, 10v, Electrolytic. . . .	3198 032 34130	3101	Res, 10K, 5%, 1/10W, Metalized Glass	3198 021 51030
2116	Cap, 10u, 20%, 10v, Electrolytic. . . .	3198 032 34130	3102	Res, 75 ohm, 5%, 1/10W, Metalized Gla	
2118	Cap, 22p, 5%, 50v, Ceramic	3198 016 02290		ss.	3198 021 57590
2119	Cap, 22p, 5%, 50v, Ceramic	3198 016 02290	3103	Res, 1K, 5%, 1/10W, Metalized Glass. . .	3198 021 51020
2120	Cap, 680p, 10%, 50v, Ceramic	3198 017 06810	3104	Res, 1K, 5%, 1/10W, Metalized Glass. . .	3198 021 51020
2121	Cap, 680p, 10%, 50v, Ceramic	3198 017 06810	3105	Res, 150 ohm, 5%, 1/10W, Metalized Gl	
2122	Cap, 100n, 10%, 16v, Ceramic	3198 017 01040		ass.	3198 021 51510
2123	Cap, 100n, 10%, 16v, Ceramic	3198 017 01040	3106	Res, 270 ohm, 5%, 1/10W, Metalized Gl	
2124	Cap, 100n, 10%, 16v, Ceramic	3198 017 01040		ass.	3198 021 52710
2125	Cap, 100n, 10%, 16v, Ceramic	3198 017 01040	3107	Res, 75 ohm, 5%, 1/10W, Metalized Gla	
2126	Cap, 100n, 10%, 16v, Ceramic	3198 017 01040		ss.	3198 021 57590
2127	Cap, 100n, 10%, 16v, Ceramic	3198 017 01040	3108	Res, 4K7, 5%, 1/10W, Metalized Glass	3198 021 54720
2129	Cap, 100n, 10%, 16v, Ceramic	3198 017 01040	3109	Res, 4K7, 5%, 1/10W, Metalized Glass	3198 021 54720
2130	Cap, 100n, 10%, 16v, Ceramic	3198 017 01040	3110	Res, 4K7, 5%, 1/10W, Metalized Glass	3198 021 54720
2131	Cap, 100n, 10%, 16v, Ceramic	3198 017 01040	3111	Res, 4K7, 5%, 1/10W, Metalized Glass	3198 021 54720
2132	Cap, 100n, 10%, 16v, Ceramic	3198 017 01040	3112	Res, 4K7, 5%, 1/10W, Metalized Glass	3198 021 54720
2134	Cap, 100n, 10%, 16v, Ceramic	3198 017 01040	3113	Res, 22K, 5%, 1/10W, Metalized Glass	3198 021 52230
2135	Cap, 100n, 10%, 16v, Ceramic	3198 017 01040	3114	Res, 2K7, 5%, 1/10W, Metalized Glass	3198 021 52720
2136	Cap, 100p, 5%, 50v, Ceramic.	3198 016 01010	3116	Res, 1K8, 5%, 1/10W, Metalized Glass	3198 021 51820
2137	Cap, 100p, 5%, 50v, Ceramic.	3198 016 01010	3117	Res, 22K, 5%, 1/10W, Metalized Glass	3198 021 52230
2139	Cap, 10n, 10%, 50v, Ceramic.	3198 017 01030	3118	Res, 6K8, 5%, 1/10W, Metalized Glass	3198 021 56820
2140	Cap, 10n, 10%, 50v, Ceramic.	3198 017 01030	3119	Res, 100K, 5%, 1/10W, Metalized Glass	3198 021 51040
2141	Cap, 180p, 5%, 50v, Ceramic.	3198 016 01810	3120	Res, 1K, 5%, 1/10W, Metalized Glass. . .	3198 021 51020
2142	Cap, 180p, 5%, 50v, Ceramic.	3198 016 01810	3121	Res, 1K, 5%, 1/10W, Metalized Glass. . .	3198 021 51020
3000	Res, 10K, 5%, 1/10W, Metalized Glass	3198 021 51030	3122	Res, 1K, 5%, 1/10W, Metalized Glass. . .	3198 021 51020
3001	Res, 10K, 5%, 1/10W, Metalized Glass	3198 021 51030	3124	Res, 910 ohm, 1%, 1/8W, Metalized Gla	
3002	Res, 220 ohm, 5%, 1/10W, Metalized Gl			ss.	2322 734 69101
	ass.	3198 021 52210	3129	Res, 100 ohm, 5%, 1/10W, Glass	3198 021 51010
3003	Res, 1M, 5%, 1/10W, Metalized Glass. .	3198 021 51050	3130	Res, 100 ohm, 5%, 1/10W, Glass	3198 021 51010
3004	Res, 100 ohm, 5%, 1/10W, Glass	3198 021 51010	3131	Res, 75 ohm, 5%, 1/10W, Metalized Gla	
3005	Res, 75 ohm, 5%, 1/10W, Metalized Gla			ss.	3198 021 57590
	ss.	3198 021 57590	3132	Res, 100K, 5%, 1/10W, Metalized Glass	3198 021 51040
3006	Res, 1K8, 5%, 1/10W, Metalized Glass	3198 021 51820	3133	Res, 100K, 5%, 1/10W, Metalized Glass	3198 021 51040
3007	Res, 4K7, 5%, 1/10W, Metalized Glass	3198 021 54720	3135	Res, 22K, 5%, 1/10W, Metalized Glass	3198 021 52230
3008	Res, 150K, 5%, 1/10W, Metalized Glass	3198 021 51540	3136	Res, 100 ohm, 5%, 1/10W, Glass	3198 021 51010
3009	Res, 13K, 5%, 1/8W, Metalized Glass. .	2322 730 61133	3137	Res, 100 ohm, 5%, 1/10W, Glass	3198 021 51010
3010	Res, 10K, 5%, 1/10W, Metalized Glass	3198 021 51030	3138	Res, 100 ohm, 5%, 1/10W, Glass	3198 021 51010
3011	Res, 100 ohm, 5%, 1/10W, Glass	3198 021 51010	3139	Res, 100 ohm, 5%, 1/10W, Glass	3198 021 51010
3012	Res, 560 ohm, 5%, 1/10W, Metalized Gl		3140	Res, 1K5, 5%, 1/10W, Metalized Glass	3198 021 51520
	ass.	3198 021 55610	3141	Res, 1K, 5%, 1/10W, Metalized Glass. . .	3198 021 51020
3013	Res, 4K7, 5%, 1/10W, Metalized Glass	3198 021 54720	3142	Res, 1K5, 5%, 1/10W, Metalized Glass	3198 021 51520
3014	Res, 150K, 5%, 1/10W, Metalized Glass	3198 021 51540	3143	Res, 100 ohm, 5%, 1/10W, Glass	3198 021 51010
3015	Res, 13K, 5%, 1/8W, Metalized Glass. .	2322 730 61133	5000	Coil, 150n	3198 018 31570
3016	Res, 10K, 5%, 1/10W, Metalized Glass	3198 021 51030	5001	Coil, 820n	3198 018 38270
3017	Res, 560 ohm, 5%, 1/10W, Metalized Gl		5002	Coil, lu2.	3198 018 31280
	ass.	3198 021 55610	5003	Coil, lu2.	3198 018 31280
3018	Res, 100 ohm, 5%, 1/10W, Glass	3198 021 51010	5004	Coil, lu2.	3198 018 31280
3019	Res, 4K7, 5%, 1/10W, Metalized Glass	3198 021 54720	5005	Coil, 22u.	3198 018 32290
3020	Res, 150K, 5%, 1/10W, Metalized Glass	3198 021 51540	5006	Coil, 4u7.	3198 018 34780
3021	Res, 13K, 5%, 1/8W, Metalized Glass. .	2322 730 61133	5010	Coil, 820n	3198 018 38270
3022	Res, 10K, 5%, 1/10W, Metalized Glass	3198 021 51030	5012	Coil, 820n	3198 018 38270
3023	Res, 560 ohm, 5%, 1/10W, Metalized Gl		5014	Res, 75 ohm, 5%, 1/10W, Metalized Gla	
	ass.	3198 021 55610		ss.	3198 021 57590
3024	Res, 100 ohm, 5%, 1/10W, Glass	3198 021 51010	5015	Inductor, Fixed, 100MHZ, 30 ohm. . . .	3198 018 90060
3025	Res, 22K, 5%, 1/10W, Metalized Glass	3198 021 52230	5016	Inductor, Fixed, 100MHZ, 30 ohm. . . .	3198 018 90060
3026	Res, 22K, 5%, 1/10W, Metalized Glass	3198 021 52230	5017	Inductor, Fixed, 100MHZ, 30 ohm. . . .	3198 018 90060
3027	Res, 22K, 5%, 1/10W, Metalized Glass	3198 021 52230	5018	Inductor, Fixed, 100MHZ, 30 ohm. . . .	3198 018 90060
3028	Res, 1K, 5%, 1/10W, Metalized Glass. . .	3198 021 51020	5019	Inductor, Fixed, 100MHZ, 30 ohm. . . .	3198 018 90060
3029	Res, 22K, 5%, 1/10W, Metalized Glass	3198 021 52230	5020	Inductor, Fixed, 100MHZ, 30 ohm. . . .	3198 018 90060
3030	Res, 22K, 5%, 1/10W, Metalized Glass	3198 021 52230	5021	Coil, 82u.	2422 535 95408
3031	Res, 22K, 5%, 1/10W, Metalized Glass	3198 021 52230	5023	Inductor, Fixed, 100MHZ, 30 ohm. . . .	3198 018 90060
3033	Res, 100 ohm, 5%, 1/10W, Glass	3198 021 51010	5024	Coil, lu8.	3198 018 31880
3049	Res, 75 ohm, 5%, 1/10W, Metalized Gla		6000	Diode, Signal, BAS216.	9340 255 30115
	ss.	3198 021 57590	6001	Diode, Signal, BAV99	3198 010 10620
3052	Res, 100 ohm, 5%, 1/10W, Glass	3198 021 51010	6002	Diode, Signal, BAV99	3198 010 10620
3053	Res, 100 ohm, 5%, 1/10W, Glass	3198 021 51010	6003	Diode, Signal, BAV99	3198 010 10620
3056	Res, 1K5, 5%, 1/10W, Metalized Glass	3198 021 51520	6004	Diode, Signal, BAV99	3198 010 10620
3057	Res, 75 ohm, 5%, 1/10W, Metalized Gla		6005	Diode, Signal, BAV99	3198 010 10620
	ss.	3198 021 57590	6006	Diode, Signal, BAV99	3198 010 10620
3058	Res, 390 ohm, 5%, 1/10W, Metalized Gl		6009	Diode, Signal, BAV99	3198 010 10620
	ass.	3198 021 53910	6010	Diode, Signal, BAV99	3198 010 10620
3059	Res, 100 ohm, 5%, 1/10W, Glass	3198 021 51010	6011	Diode, Signal, BAS16WS	9322 031 99685
3060	Res, 1K, 5%, 1/10W, Metalized Glass. .	3198 021 51020	6012	Diode, Signal, BAS16WS	9322 031 99685
3061	Res, 1M, 5%, 1/10W, Metalized Glass. .	3198 021 51050	6013	Diode, Signal, BAS16WS	9322 031 99685
3062	Res, 220 ohm, 5%, 1/10W, Metalized Gl		6014	Diode, Signal, BAS16WS	9322 031 99685
	ass.	3198 021 52210			

S = Safety Part Be sure to use exact replacement part.

SC3132N321 (continued)

6015	Diode, Signal, BAS16WS	9322	031	99685
6016	Diode, Signal, BAS16WS	9322	031	99685
6017	Diode, Rect, MBR5140.	9322	070	26668
6018	Zener Diode, 6.8 volt.	9340	386	40115
7000	F.E.T. Signal, BSN20	9340	125	00235
7001	IC, LM393D	9339	575	30668
7002	IC, LM393D	9339	575	30668
7003	Transistor, NPN, BC847B.	3198	010	42030
7004	Transistor, NPN, BC847B.	3198	010	42030
7005	Transistor, NPN, BC847B.	3198	010	42030
7006	Transistor, PNP, BC857B.	3198	010	42150
7007	F.E.T. Signal, BSN20	9340	125	00235
7010	F.E.T. Signal, BSN20	9340	125	00235
7011	IC, FS401AC.	9322	107	99671
7012	IC, HY57V161610DTC-10.	9322	161	58668
7013	F.E.T. Signal, BSN20	9340	125	00235
7014	IC, 87C51RD+4A SCAN3	3135	120	50071
7016	IC, 74HC4066D.	9337	144	20653
7018	IC, M24C04-WMN6.	9322	122	33668
7019	IC, TDA8440/C3	9338	180	70112
7020	Transistor, PNP, BC857B.	3198	010	42150
7021	Transistor, NPN, BC847B.	3198	010	42030
7022	IC, MC33269D-3.3	9322	106	88668
7023	IC, MC33269D-3.3	9322	106	88668
7024	IC, LM2596S-ADJ.	9322	130	86685
7028	F.E.T. Signal, BSH103.	9340	547	13215
7036	F.E.T. Signal, BSH103.	9340	547	13215
7037	Transistor, NPN, BC847B.	3198	010	42030

Net 1 Module (ITV) Parts - 313512710151

Net 1 Module (ITV) Parts - 313512710151

51	Net 1 Module (ITV) Assembly.	3135	127	10151
CBA	Socket, Antenna, 1 Pin	2422	031	10792
1000	Socket, Cinch, 1 Pin	2422	026	05003
1001	Connector, 5 Pin	2422	025	12708
1002	Cap, 100n, +80/-20%, 25v, Ceramic.	3198	023	21040
2000	Cap, 39p, 5%, 50v, Ceramic	3198	016	03990
2001	Cap, 22p, 5%, 50v, Ceramic	3198	016	02290
2002	Cap, 39p, 5%, 50v, Ceramic	3198	016	03990
2003	Cap, 100n, 10%, 25v, Ceramic	2238	910	15649
2004	Cap, 270p, 5%, 50v, Ceramic.	3198	016	02710
2005	Cap, 390p, 5%, 50v, Ceramic.	3198	016	03910
2006	Cap, 33p, 5%, 50v, Ceramic	3198	016	03390
2007	Cap, 100p, 5%, 50v, Ceramic.	3198	016	01010
2008	Cap, 10p, 5%, 50v, Ceramic	3198	016	01090
2009	Cap, 100n, +80/-20%, 25v, Ceramic.	3198	023	21040
2010	Cap, 10n, 10%, 50v, Ceramic.	3198	017	01030
2011	Cap, 10n, 10%, 50v, Ceramic.	3198	017	01030
2012	Cap, 100n, +80/-20%, 25v, Ceramic.	3198	023	21040
2013	Cap, 100n, +80/-20%, 25v, Ceramic.	3198	023	21040
2014	Cap, 47p, 5%, 50v, Ceramic	3198	016	04790
2015	Res, 10K, 5%, 1/10W, Metalized Glass	3198	021	51030
3000	Res, 10K, 5%, 1/10W, Metalized Glass	3198	021	51030
3001	Res, 47 ohm, 5%, 1/10W, Metalized Glass	3198	021	54790
3002	Res, 4K7, 5%, 1/10W, Metalized Glass	3198	021	54720
3003	Res, 4K7, 5%, 1/10W, Metalized Glass	3198	021	54720
3004	Res, 4K7, 5%, 1/10W, Metalized Glass	3198	021	54720
3005	Res, 4K7, 5%, 1/10W, Metalized Glass	3198	021	54720
3006	Res, 4K7, 5%, 1/10W, Metalized Glass	3198	021	54720
3007	Res, 4K7, 5%, 1/10W, Metalized Glass	3198	021	54720
3008	Res, 4K7, 5%, 1/10W, Metalized Glass	3198	021	54720
3009	Res, 47K, 5%, 1/10W, Metalized Glass	3198	021	54730
3011	Res, 10K, 5%, 1/10W, Metalized Glass	3198	021	51030
3012	Res, 47 ohm, 5%, 1/10W, Metalized Glass	3198	021	54790
5000	Coil, 150n	3198	018	31570
5001	Coil, 150n	3198	018	31570
5002	Coil, 680n	3198	018	36870
5003	Coil, 2u2.	2422	535	96509
5004	Coil, 10u.	3198	018	31090
5005	Coil, 22u.	3198	018	32290
5006	Coil, 4u7.	3198	018	34780
6000	Diode, Signal, BAS216.	9340	255	30115
6001	Diode, Signal, BAS216.	9340	255	30115
6002	Diode, Signal, BAS216.	9340	255	30115
7000	IC, NE592/N8	9337	334	80602
7001	Transistor, NPN, BC847B.	9335	895	90215

S = Safety Part Be sure to use exact replacement part.

SC3136C327 - Manual no. 7629

Cabinet & Accessory Parts

	Cabinet & Accessory Parts				
	CBA EPS(1B). Module, (ITV)	3139	137	22961	
S	AC01 AC Cord.	3135	010	04323	
	AC02 AC Cord Relief (Not Shown)	3135	010	02841	
	AC03 Battery, 1.5V AA, 2-Pack, (Not Shown)	9299	000	10137	
	AC04 Cabinet, Back (ITV)	3135	014	06541	
	AC07 Chassis Tray	3139	124	31324	
	AC09 Clip, Anode Lead (3 Used) (Not Shown)	3135	014	04471	
S	AC10 CRT A90AKB50X07(V)	9322	186	37682	
	AC11 Customer Control Panel	3139	124	26472	
	AC12 Coil, Degaussing	2422	549	43972	
	AC13 Holder Degaussing Coil (4 Used)	3135	013	01651	
	AC16 Owner's Manual	3135	015	20912	
	AC20 Cabinet, Front Assembly - Model PPC13				
	6C327.	3121	237	52411	
	AC20A Cabinet, Front	3135	127	50041	
	AC20D Light Guide.	3139	124	26461	
	AC20E Nameplate.	3135	015	03571	
	AC20F Power Button	3139	124	26444	
	AC20J Speaker, 16R, 5W (2 Used)	2422	264	00401	
	AC22 Spring	3139	121	26231	
	AC27 Bracket, Power Button.	3135	121	20061	
	AC28 Card, Door (ITV)	3135	014	05211	
	AC29 Bracket, EPS Module, (Horiz)	3135	014	09221	
	CBA Audio Jack Panel (ITV) (Not Shown)	3135	124	00181	
	REMOTE Transmitter, Remote, RC2524 /01.	3139	228	84651	

Main Chassis Assembly Parts

	Main Chassis Assembly Parts				
	1000 Tuner, V+U PLL	2422	542	90113	
	0040 Cover, Cinch	3139	124	25551	
	0118 U-Cooling Plate.	3139	121	26731	
	0122 Heatsink, Line	3135	121	60041	
	0123 Heatsink, Audio.	3139	121	62501	
	0124 Heatsink, SOPS	3139	121	62201	
	0127 Socket, Fuse	2422	088	00271	
	0129 NTC, Holder.	3139	120	10151	
	0136 IC-Spring.	3104	301	22081	
	0137 Spring	3139	121	24581	
	0138 IC-Spring.	3104	301	22081	
	0139 Spring for Bracket	3122	121	24786	
	0140 Spring	3139	121	24581	
	0141 IC-Spring.	3104	301	22081	
	0152 Cable, DIPMATE, 6 Pin 560mm	3139	121	08951	
	0153 Cable, 5 Pin, 560mm.	3139	121	09041	
	0157 Cable, 4 Pin, 280mm.	3135	121	00122	
	0211 Connector, 2 Pin	2422	025	16269	
	S 0212 Connector, 2 Pin	2422	025	16375	
	0213 Connector, 2 Pin	2422	025	16374	
	0215 Connector, 3 Pin	2422	025	16383	
	0217 Connector, 6 Pin	2422	025	12482	
	0218 Socket, Cinch, 3 Pin	2422	026	04742	
S	0220 Connector, 5 Pin	2422	025	04853	
S	0221 Connector, 4 Pin	2422	025	15503	
S	0222 Connector, 2 Pin	2422	025	10646	
	0227 Connector, 6 Pin	2422	025	15849	
	0229 Connector, 7 Pin	2422	025	17209	
	0240 Connector, 7 Pin	2422	025	11244	
	0242 Connector, 7 Pin	2422	025	17042	
S	0243 Connector, 6 Pin	2422	025	04854	
	0246 Connector, 5 Pin	2422	025	12481	
	0259 Connector, 5 Pin	2422	025	15848	
	0262 Connector, 3 Pin	2422	025	16937	
	0267 Connector, 3 Pin	2412	020	00725	
	1002 SAW Filter, 45MHz75, OFWM1971M	2422	549	44518	
	1200 Filter, Ceramic, 4MHz5	2422	549	40807	
S	1500 Fuse, 4A, 250V, IEC	2422	086	10869	
S	1515 Relay, 12V, 5A G5PA-1.	2422	132	07444	
	1600 Switch, Tactile.	2422	128	02742	
	1601 Switch, Tactile.	2422	128	02742	
	1602 Switch, Tactile.	2422	128	02742	
	1603 Switch, Tactile.	2422	128	02742	
	1606 Switch, Tactile.	2422	128	02742	
	1660 Crystal, 12MHz000.	2422	543	01203	
	1831 Crystal, Resonator, 18MHz432, 12 Pin,				
	HC49/U A	2422	543	00842	
	2004 Cap, 47n, 10%, 16v, Ceramic.	3198	017	34730	
	2005 Cap, 10u, 20%, 50v, Electrolytic	3198	025	51090	
	2006 Cap, 470u, 20%, 16v, Electrolytic.	3198	025	24710	
	2007 Cap, 100n, +80/-20%, 25v, Ceramic.	3198	023	21040	
	2008 Cap, 100u, 20%, 25v, Electrolytic.	3198	025	31010	
	2009 Cap, 22n, 10%, 50v, Ceramic.	3198	017	02230	
	2135 Cap, 22p, 5%, 50v, Ceramic	3198	016	02290	
	2136 Cap, 22p, 5%, 50v, Ceramic	3198	016	02290	
	2181 Cap, 22p, 5%, 50v, Ceramic	3198	016	02290	
	2182 Cap, 330p, 10%, 50v, Ceramic	3198	017	03310	
	2183 Cap, 330p, 10%, 50v, Ceramic	3198	017	03310	
	2184 Res, Zero ohm, "Chip" Jumper	3198	021	90020	
	2202 Cap, 100n, +80/-20%, 25v, Ceramic.	3198	023	21040	
	2203 Cap, 100n, +80/-20%, 25v, Ceramic.	3198	023	21040	
	2204 Cap, 100n, +80/-20%, 25v, Ceramic.	3198	023	21040	

	2205 Cap, 220n, +80/-20%, 25v, Ceramic.	3198	023	22240
	2208 Cap, 100n, +80/-20%, 25v, Ceramic.	3198	023	21040
	2209 Cap, 10u, 20%, 50v, Electrolytic	3198	025	51090
	2210 Cap, 1u, +80/-20%, 16v, Ceramic.	3198	017	21050
	2211 Cap, 470n, +80/-20%, 16v, Ceramic.	3198	017	24740
	2213 Cap, 22n, 10%, 50v, Ceramic.	3198	017	02230
	2214 Cap, 22n, 10%, 50v, Ceramic.	3198	017	02230
	2215 Cap, 22n, 10%, 50v, Ceramic.	3198	017	02230
	2216 Cap, 1000u, 20%, 16v, Electrolytic	3198	026	21020
	2217 Cap, 22n, 10%, 50v, Ceramic.	3198	017	02230
	2219 Cap, 220n, +80/-20%, 25v, Ceramic.	3198	023	22240
	2220 Cap, 470n, 10%, 50v, Polyester	3198	014	04740
	2221 Cap, 22n, +80/-20%, 50v, Ceramic	3198	017	22230
	2241 Cap, 1n5, 10%, 50v, Ceramic.	3198	017	01520
	2242 Cap, 1u, +80/-20%, 16v, Ceramic.	3198	017	21050
	2243 Cap, 2n2, 10%, 50v, Ceramic.	3198	017	02220
	2244 Cap, 100n, 10%, 63v, Metalized Polyes			
	ter.	2222	370	75104
	2245 Cap, 220n, +80/-20%, 16v, Ceramic.	3198	017	42240
	2247 Cap, 1000u, 20%, 16v, Electrolytic	3198	026	21020
	2248 Cap, 22n, 10%, 50v, Ceramic.	3198	017	02230
	2249 Cap, 22n, 10%, 50v, Ceramic.	3198	017	02230
	2250 Cap, 2u2, 20%, 50v, Electrolytic	3198	025	52280
	2252 Cap, 1n, 5%, 50v, Ceramic.	3198	016	01020
	2253 Cap, 1n, 5%, 50v, Ceramic.	3198	016	01020
	2254 Res, Zero ohm, "Chip" Jumper	3198	021	90020
	2401 Cap, 2u2, 20%, 50v, Electrolytic	2020	021	90552
	2402 Cap, 470p, 10%, 500v, Ceramic.	3198	019	44710
	2404 Cap, 47u, 20%, 50v, Electrolytic	3198	025	54790
	2405 Cap, 220u, 20%, 25v, Electrolytic.	3198	025	32210
	2441 Cap, 1u, 20%, 50v, Electrolytic.	3198	025	51080
	2443 Cap, 47n, +80/-20%, 50v, Ceramic.	3198	017	24730
	2444 Cap, 1u, 20%, 50v, Electrolytic.	3198	025	51080
	2450 Cap, 47u, 20%, 160v, Electrolytic.	2020	021	91139
	2451 Cap, 15n, 10%, 50v, Polyester.	3198	014	01530
	2452 Cap, 180p, 5%, 50v, Ceramic.	3198	016	01810
	2455 Cap, 47u, 20%, 25v, Electrolytic	3198	025	34790
	2456 Cap, 560n, 5%, 250v, Metalized Polypr			
	opylene.	2222	479	90025
	2458 Cap, 2u2, 20%, 100v, Electrolytic.	2020	021	91331
	2459 Cap, 680p, 10%, 500v, Ceramic.	3198	019	46810
	2460 Cap, 100p, 5%, 50v, Ceramic.	3198	016	01010
	2463 Cap, 390p, 10%, 2000v, Ceramic	2020	558	90482
	2464 Cap, 2u2, 5%, 160v, Metalized Polypro			
	pylene	2222	479	90042
	2465 Cap, 15n, 5%, 1600v, Polypropylene	2020	301	90255
	2467 Cap, 15n, 10%, 400v, Polyester	2222	347	90219
	2468 Cap, 15n, 10%, 400v, Polyester	2222	347	90219
	2471 Cap, 100n, 10%, 50v, Polyester	3198	014	01040
	2472 Cap, 150n, 10%, 63v, Polyester	2222	365	75154
	2473 Cap, 100n, 10%, 63v, Polyester	2222	365	75104
	2474 Cap, 2n2, 10%, 50v, Ceramic.	3198	017	02220
	2475 Cap, 2n2, 10%, 50v, Ceramic.	3198	017	02220
	2476 Cap, 4n7, 10%, 50v, Ceramic.	3198	017	04720
	2480 Cap, 47u, 20%, 25v, Electrolytic	2020	021	90586
	2481 Cap, 470p, 10%, 500v, Ceramic.	3198	019	44710
	2482 Cap, 68n, 10%, 250v, Polyester	2222	347	90234
	2485 Cap, 4u7, 20%, 250v, Electrolytic.	2020	021	90856
	2486 Cap, 470u, 20%, 16v, Electrolytic.	2020	021	91577
	2487 Cap, 47u, 20%, 50v, Electrolytic	2020	021	90854
	2488 Cap, 1000u, 20%, 16v, Electrolytic	2020	021	91049
	2489 Cap, 470u, 20%, 16v, Electrolytic.	2020	021	91577
	2491 Cap, 1n, 10%, 500v, Ceramic.	3198	019	41020
	2500 Cap, 470n, 20%, 275v, Polypropylene.	2222	336	29148
	2501 Cap, 2n2, 10%, 1000v, Ceramic.	3198	019	52220
	2502 Cap, 2n2, 10%, 1000v, Ceramic.	3198	019	52220
	2503 Cap, 470u, 20%, 200v, Electrolytic	2020	024	90626
	2505 Cap, 2n2, 10%, 1000v, Ceramic.	3198	019	52220
	2507 Cap, 470p, 10%, 50v, Ceramic.	3198	017	04710
	2508 Cap, 470p, 10%, 1000v, Ceramic	3198	019	64710
S	2515 Cap, 1n5, 20%, v, Ceramic.	2020	554	90128
	2520 Cap, 100n, 10%, 16v, Ceramic	3198	017	01040
	2521 Cap, 22u, 20%, 50v, Electrolytic	3198	025	52290
	2522 Cap, 100n, 10%, 16v, Ceramic	3198	017	01040
	2523 Cap, 1n5, 10%, 2000v, Ceramic.	2020	558	90489
	2525 Cap, 470p, 10%, 50v, Ceramic	3198	017	04710
	2527 Cap, 2n2, 10%, 50v, Ceramic.	3198	017	02220
	2528 Cap, 1n, 10%, 50v, Ceramic	3198	017	01020
	2540 Cap, 10n, 10%, 50v, Ceramic.	3198	017	01030
	2560 Cap, 680p, 10%, 1000v, Ceramic	3198	019	66810
	2561 Cap, 100u, 20%, 160v, Electrolytic	2020	021	

SC3136C327 (continued)

2609	Cap, 33p, 5%, 50v, Ceramic	3198 016 03390	3217	Res, 330K, 5%, 1/16W, Metalized Glass	3198 021 33340
2611	Cap, 1u, +80/-20%, 16v, Ceramic.	3198 017 21050	3218	Res, 82K, 5%, 1/16W, Metalized Glass	3198 021 38230
2612	Cap, 68p, 5%, 50v, Ceramic	3198 016 06890	3219	Res, 2K2, 5%, 1/16W, Metalized Glass	3198 021 32220
2613	Cap, 68p, 5%, 50v, Ceramic	3198 016 06890	3220	Res, 100 ohm, 5%, 1/6W, Carbon Film.	3198 011 01010
2615	Cap, 1n, 10%, 50v, Ceramic	3198 017 01020	3221	Res, 560 ohm, 5%, 1/6W, Carbon Film.	3198 011 05610
2616	Cap, 470n, +80/-20%, 16v, Ceramic.	3198 017 24740	3222	Res, 100 ohm, 5%, 1/6W, Carbon Film.	3198 011 01010
2618	Cap, 1u, +80/-20%, 16v, Ceramic.	3198 017 21050	3223	Res, 100 ohm, 5%, 1/10W, Metalized Gl	
2619	Cap, 1u, +80/-20%, 16v, Ceramic.	3198 017 21050		ass.	3198 021 51010
2691	Cap, 220u, 20%, 25v, Electrolytic.	3198 025 32210	3226	Res, 560 ohm, 5%, 1/16W, Metalized Gl	
2801	Cap, 22u, 20%, 50v, Electrolytic	3198 025 52290		ass.	3198 021 35610
2802	Cap, 220n, +80/-20%, 16v, Ceramic.	3198 017 42240	3235	Res, 100 ohm, 5%, 1/6W, Carbon Film.	3198 011 01010
2803	Cap, 2u2, +80/-20%, 10v, Ceramic	3198 017 22250	3241	Res, 22K, 5%, 1/16W, Metalized Glass	3198 021 32230
2804	Cap, 2u2, +80/-20%, 10v, Ceramic	3198 017 22250	3242	Res, 12K, 5%, 1/10W, Metalized Glass	3198 021 51230
2805	Cap, 2u2, +80/-20%, 10v, Ceramic	3198 017 22250	3244	Res, 820 ohm, 5%, 1/6W, Carbon Film.	3198 011 08210
2806	Cap, 2u2, +80/-20%, 10v, Ceramic	3198 017 22250	3245	Res, 39K, 5%, 1/10W, Metalized Glass	3198 021 53930
2831	Cap, 1p, 25%, 50v, Ceramic	3198 016 01080	3246	Res, 10K, 5%, 1/10W, Metalized Glass	3198 021 51030
2832	Cap, 1p, 25%, 50v, Ceramic	3198 016 01080	3247	Res, 680K, 5%, 1/10W, Metalized Glass	3198 021 56840
2833	Cap, 47p, 5%, 50v, Ceramic	3198 016 04790	3248	Res, 33K, 5%, 1/10W, Metalized Glass	3198 021 53330
2834	Cap, 470p, 5%, 50v, Ceramic.	3198 016 04710	3249	Res, 820 ohm, 5%, 1/6W, Carbon Film.	3198 011 08210
2835	Cap, 220p, 5%, 50v, Ceramic.	3198 016 02210	3250	Res, 8K2, 5%, 1/6W, Carbon Film.	3198 011 08220
2836	Cap, 1n5, 10%, 50v, Ceramic.	3198 017 01520	3251	Res, 100 ohm, 5%, 1/6W, Carbon Film.	3198 011 01010
2837	Cap, 4u7, 20%, 50v, Electrolytic	3198 025 54780	3256	Res, 1K, 5%, 1/10W, Metalized Glass.	3198 021 51020
2840	Cap, 100n, +80/-20%, 25v, Ceramic.	3198 023 21040	3257	Res, 10M, 5%, 1/10W, Metalized Glass	3198 021 51060
2841	Cap, 10u, 20%, 50v, Electrolytic	3198 025 51090	3258	Res, 100K, 5%, 1/10W, Metalized Glass	3198 021 51040
2842	Cap, 100n, +80/-20%, 25v, Ceramic.	3198 023 21040	3259	Res, 470K, 5%, 1/10W, Metalized Glass	3198 021 54740
2843	Cap, 10u, 20%, 50v, Electrolytic	3198 025 51090	3400	Res, 330 ohm, 5%, 1/6W, Carbon Film.	3198 011 03310
2844	Cap, 10u, 20%, 50v, Electrolytic	3198 025 51090	3401	Res, 33K, 5%, 1/6W, Carbon Film.	3198 011 03330
2845	Cap, 100n, +80/-20%, 25v, Ceramic.	3198 023 21040	3403	Res, 100K, 5%, 1/6W, Carbon Film	3198 011 01040
2846	Cap, 100u, 20%, 25v, Electrolytic.	3198 025 31010	3404	Res, 1K, 5%, 1/6W, Carbon Film	3198 011 01020
2849	Cap, 1n, 5%, 50v, Ceramic.	3198 016 01020	3405	Res, 4R7, 5%, 1/6W, Carbon Film.	3198 011 04780
2850	Cap, 1n, 5%, 50v, Ceramic.	3198 016 01020	3406	Res, 4R7, 5%, 1/6W, Carbon Film.	3198 011 04780
2851	Cap, 4u7, +80/-20%, 10v, Ceramic	2020 552 96305	3408	Res, 100 ohm, 5%, 1/6W, Carbon Film.	3198 011 01010
2852	Cap, 1n, 5%, 50v, Ceramic.	3198 016 01020	3410	Res, 10K, 5%, 1/6W, Carbon Film.	3198 011 01030
2853	Cap, 4u7, +80/-20%, 10v, Ceramic	2020 552 96305	3411	Res, 4R7, 5%, 1/3W, Metal Film	2306 204 03478
2854	Cap, 1n, 5%, 50v, Ceramic.	3198 016 01020	3441	Res, 100 ohm, 5%, 1/10W, Metalized Gl	
2855	Cap, 33p, 5%, 50v, Ceramic	3198 016 03390		ass.	3198 021 51010
2856	Cap, 47p, 5%, 50v, Ceramic	3198 016 04790	3442	Res, Zero ohm, "Chip" Jumper	3198 021 90020
2857	Cap, 150p, 5%, 50v, Ceramic.	3198 016 01510	3443	Res, 1M, 5%, 1/10W, Metalized Glass.	3198 021 51050
2860	Cap, 180p, 5%, 50v, Ceramic.	3198 016 01810	3445	Res, 15K, 5%, 1/6W, Carbon Film.	3198 011 01530
2894	Cap, 220p, 5%, 50v, Ceramic.	3198 016 02210	3446	Res, 5K6, 5%, 1/6W, Carbon Film.	3198 011 05620
2895	Cap, 560p, 5%, 50v, Ceramic.	3198 016 05610	3447	Res, 180 ohm, 5%, 1/6W, Carbon Film.	3198 011 01810
2897	Cap, 390p, 5%, 50v, Ceramic.	3198 016 03910	3448	Res, 820 ohm, 5%, 1/6W, Carbon Film.	3198 011 08210
2898	Cap, 10n, 10%, 50v, Ceramic.	3198 017 01030	3449	Res, 68 ohm, 5%, 1/6W, Carbon Film	3198 011 06890
2902	Cap, 1000u, 20%, 16v, Electrolytic	3198 026 21020	3450	Res, 33 ohm, 5%, 1/6W, Carbon Film	3198 011 03390
2903	Cap, 1u, 20%, 50v, Electrolytic.	3198 025 51080	S 3451	Res, 8R2, 5%, 1/3W, Metal Film	2306 204 03828
2904	Cap, 470n, +80/-20%, 16v, Ceramic.	3198 017 24740	3452	Res, 5K6, 1%, 3/5W, Metal Film	2312 915 15602
2905	Cap, 1n, 10%, 50v, Ceramic	3198 017 01020	3453	Res, 1K, 5%, 1/6W, Carbon Film	3198 011 01020
2906	Cap, 470n, +80/-20%, 16v, Ceramic.	3198 017 24740	3454	Res, 2K, 1%, 3/5W, Metal Film	2312 915 12002
2907	Cap, 1n, 10%, 50v, Ceramic	3198 017 01020	3455	Res, 6R8, 5%, 1 1/3W, Metal Film	3198 012 26880
2908	Cap, 10u, 20%, 50v, Electrolytic	3198 025 51090	3456	Res, Zero ohm, "Chip" Jumper	3198 021 90020
2910	Cap, 3n3, 10%, 50v, Ceramic.	3198 017 03320	3457	Res, Zero ohm, "Chip" Jumper	3198 021 90020
2911	Cap, 3n3, 10%, 50v, Ceramic.	3198 017 03320	3458	Res, 1K, 5%, 1/6W, Carbon Film	3198 011 01020
2950	Cap, 330p, 5%, 50v, Ceramic.	3198 016 03310	3459	Res, 15K, 5%, 1 1/3W, Metal Film	3198 012 21530
3000	Res, 100 ohm, 5%, 1/6W, Carbon Film.	3198 011 01010	3460	Res, 3K9, 5%, 1/6W, Carbon Film.	3198 011 03920
3001	Res, 100 ohm, 5%, 1/6W, Carbon Film.	3198 011 01010	3463	Res, 33 ohm, 5%, 1/6W, Carbon Film	3198 011 03390
3002	Res, Zero ohm, "Chip" Jumper	3198 021 90020	3465	Res, 27K, 1%, 3/5W, Metal Film	2312 915 12703
3003	Res, 1K5, 5%, 1/16W, Metalized Glass	3198 021 31520	3468	Res, 180 ohm, 5%, 1/6W, Carbon Film.	3198 011 01810
3004	Res, 8K2, 5%, 1/16W, Metalized Glass	3198 021 38220	3469	Res, 3K3, 5%, 1/6W, Carbon Film.	3198 011 03320
3005	Res, 100 ohm, 5%, 1/6W, Carbon Film.	3198 011 01010	3470	Res, 270K, 5%, 1/10W, Metalized Glass	2120 108 91725
3136	Res, 100 ohm, 5%, 1/6W, Carbon Film.	3198 011 01010	3471	Res, 3R3, 1%, 3/5W, Metal Film	2312 915 13308
3138	Res, 100 ohm, 5%, 1/6W, Carbon Film.	3198 011 01010	3472	Res, 3R3, 1%, 3/5W, Metal Film	2312 915 13308
3151	Res, 680 ohm, 5%, 1/16W, Metalized Gl		3473	Res, 5R6, 1%, 3/5W, Metal Film	2312 915 15608
	ass.	3198 021 36810	3474	Res, 2K2, 1%, 3/5W, Metal Film	2312 915 12202
3152	Res, 680 ohm, 5%, 1/16W, Metalized Gl		3475	Res, 2K2, 1%, 3/5W, Metal Film	2312 915 12202
	ass.	3198 021 36810	3477	Res, 150 ohm, 5%, 1/6W, Carbon Film.	3198 011 01510
3153	Res, 680 ohm, 5%, 1/16W, Metalized Gl		3478	Res, 150 ohm, 5%, 1/6W, Carbon Film.	3198 011 01510
	ass.	3198 021 36810	3479	Res, 2K7, 5%, 1/10W, Metalized Glass	3198 021 52720
3181	Res, 75 ohm, 5%, 1/6W, Carbon Film	3198 011 07590	3480	Res, 1R5, 5%, 1/4W, Carbon Film.	2120 101 74158
3182	Res, 100 ohm, 5%, 1/6W, Carbon Film.	3198 011 01010	3481	Res, 12K, 1%, 3/5W, Metal Film	2312 915 11203
3183	Res, 150 ohm, 5%, 1/6W, Carbon Film.	3198 011 01510	3482	Res, 10K, 1%, 3/5W, Metal Film	2312 915 11003
3184	Res, 47K, 5%, 1/16W, Metalized Glass	3198 021 34730	3484	Res, 3K9, 5%, 1/6W, Carbon Film.	3198 011 03920
3185	Res, 150 ohm, 5%, 1/6W, Carbon Film.	3198 011 01510	3486	Res, 33 ohm, 5%, 2 1/2W, Metal Film.	3198 012 33390
3186	Res, 47K, 5%, 1/16W, Metalized Glass	3198 021 34730	3488	Res, 4R7, 5%, 1/2W, Metal Film	2306 207 03478
3200	Res, 390 ohm, 5%, 1/6W, Carbon Film.	3198 011 03910	3490	Res, 8K2, 5%, 1/6W, Carbon Film.	3198 011 08220
3201	Res, 100 ohm, 5%, 1/6W, Carbon Film.	3198 011 01010	3492	Res, 1K, 5%, 1/10W, Metalized Glass.	3198 021 51020
3202	Res, 100 ohm, 5%, 1/6W, Carbon Film.	3198 011 01010	3493	Res, 6R8, 5%, 1/3W, Metal Film	2306 204 03688
3203	Res, 100 ohm, 5%, 1/6W, Carbon Film.	3198 011 01010	3494	Res, 4R7, 5%, 1/2W, Metal Film	2306 207 03478
3204	Res, 22K, 5%, 1/6W, Carbon Film.	3198 011 02230	3495	Res, 22K, 5%, 1/10W, Metalized Glass	3198 021 52230
3206	Res, 270K, 5%, 1/8W, Metalized Glass	2322 730 61274	3496	Res, 100K, 5%, 1/10W, Metalized Glass	3198 021 51040
3207	Res, 1K, 5%, 1/6W, Carbon Film	3198 011 01020	3497	Res, 100K, 5%, 1/10W, Metalized Glass	3198 021 51040
3208	Res, 220 ohm, 5%, 1/16W, Metalized Gl		3498	Res, 12K, 5%, 1/10W, Metalized Glass	3198 021 51230
	ass.	3198 021 32210	3499	Res, 10K, 5%, 1/10W, Metalized Glass	3198 021 51030
3209	Res, 68 ohm, 5%, 1/16W, Metalized Gla		S 3500	Res, 3M3, 5%, 1/2W, Metalized Glass.	2322 242 13335
	ss.	3198 021 36890	S 3501	Res, 3M3, 5%, 1/2W, Metalized Glass.	2322 242 13335
3212	Res, 470 ohm, 5%, 1/16W, Metalized Gl		S 3504	PTC, DC, 120V,P3020 B.	2120 661 00025
	ass.	3198 021 34710	S 3506	Res, 1M5, 5%, 1/2W, Metalized Glass.	2322 242 13155
3213	Res, 560 ohm, 5%, 1/6W, Carbon Film.	3198 011 05610	S 3507	Surge Protector.	2422 549 43073
3214	Res, 100 ohm, 5%, 1/10W, Metalized Gl		S 3508	Res, 220 ohm, 20%, 1/2W, Carbon Film	3198 013 02210
	ass.	3198 021 51010	S 3510	NTC, DC, B57237, 3W1, 4R7, 20%	2122 612 00056
3215	Res, 560 ohm, 5%, 1/16W, Metalized Gl		3519	Res, 270 ohm, 5%, 1/6W, Carbon Film.	3198 011 02710
	ass.	3198 021 35610	3520	Res, 1K2, 5%, 1/10W, Metalized Glass	3198 021 51220
3216	Res, 470 ohm, 5%, 1/6W, Carbon Film.	3198 011 04710	3521	Res, 4R7, 5%, 1/6W, Carbon Film.	3198 011 04780

S = Safety Part Be sure to use exact replacement part.

SC3136C327 (continued)

3522	Res, 330K, 1%, 1/8W, Metalized Glass	2322 734 63304	4402	Res, Zero ohm, "Chip" Jumper	3198 021 90020
S 3523	Res, 100 ohm, 5%, 1/3W, Metal Film	2306 204 03101	4430	Res, Zero ohm, "Chip" Jumper	3198 021 90020
3524	Res, 56K, 5%, 1/10W, Metalized Glass	3198 021 55630	4500	Res, Zero ohm, "Chip" Jumper	3198 021 90020
3525	Res, 1K, 5%, 1/10W, Metalized Glass.	3198 021 51020	4604	Res, 3K3, 5%, 1/10W, Metalized Glass	3198 021 53320
3526	Res, 0R1, 5%, 3/5W, Metal Film	3198 012 11070	4613	Res, Zero ohm, "Chip" Jumper	3198 021 90020
3527	Res, 0R33, 5%, 3/5W, Metal Film.	3198 012 13370	4614	Res, Zero ohm, "Chip" Jumper	3198 021 90020
3528	Res, Zero ohm, "Chip" Jumper	3198 021 90020	4615	Res, Zero ohm, "Chip" Jumper	3198 021 90020
3529	Res, 47K, 5%, 1/10W, Metalized Glass	3198 021 54730	4617	Res, Zero ohm, "Chip" Jumper	3198 021 90020
3530	Res, 10K, 5%, 1/10W, Metalized Glass	3198 021 51030	4619	Res, Zero ohm, "Chip" Jumper	3198 021 90020
3531	Res, 4K7, 5%, 1/10W, Metalized Glass	3198 021 54720	4622	Res, Zero ohm, "Chip" Jumper	3198 021 90020
S 3532	Res, 2K2, 5%, 1/3W, Metal Film	2306 204 03222	4623	Res, Zero ohm, "Chip" Jumper	3198 021 90020
3541	Res, 470 ohm, 5%, 1/10W, Metalized Gl ass.	3198 021 54710	4691	Res, Zero ohm, "Chip" Jumper	3198 021 90020
3542	Res, 1K5, 5%, 1/10W, Metalized Glass	3198 021 51520	4692	Res, Zero ohm, "Chip" Jumper	3198 021 90020
3543	Res, 82K, 1%, 3/5W, Metal Film	2312 915 18203	4693	Res, Zero ohm, "Chip" Jumper	3198 021 90020
3544	Res, 4K7, 1%, 1/8W, Metalized Glass.	2322 734 64702	4696	Res, Zero ohm, "Chip" Jumper	3198 021 90020
3545	Res, 270K, 5%, 1/10W, Metalized Glass	2120 108 91725	4804	Res, Zero ohm, "Chip" Jumper	3198 021 90020
3548	Res, 15K, 5%, 1/10W, Metalized Glass	3198 021 51530	4811	Res, Zero ohm, "Chip" Jumper	3198 021 90020
3558	Res, 330 ohm, 5%, 1W, Metal Film	3198 012 13310	4831	Res, Zero ohm, "Chip" Jumper	3198 021 90020
3561	Res, 100 ohm, 5%, 1/6W, Carbon Film.	3198 011 01010	4833	Res, Zero ohm, "Chip" Jumper	3198 021 90020
3562	Res, 12K, 5%, 1/10W, Metalized Glass	3198 021 51230	4835	Res, Zero ohm, "Chip" Jumper	3198 021 90020
3563	Res, 5K6, 5%, 1/10W, Metalized Glass	3198 021 55620	4901	Res, Zero ohm, "Chip" Jumper	3198 021 90020
3564	Res, 0R1, 5%, 1/3W, Metal Film	3198 012 21070	4903	Res, Zero ohm, "Chip" Jumper	3198 021 90020
3567	Res, 1K8, 5%, 1/16W, Metalized Glass	3198 021 31820	4982	Res, Zero ohm, "Chip" Jumper	3198 021 90020
3580	Res, 47K, 5%, 1/10W, Metalized Glass	3198 021 54730	5001	Coil, 27u.	3198 018 22790
3594	Res, 330 ohm, 5%, 1/10W, Metalized Gl ass.	3198 021 53310	5002	Coil, 820n	3198 018 18270
3595	Res, 220K, 5%, 1/10W, Metalized Glass	3198 021 52240	5201	Coil, 6u8.	3198 018 16880
3596	Res, 220K, 5%, 1/10W, Metalized Glass	3198 021 52240	5202	Wire Jumper, 0.58MM.	3198 036 90010
3601	Res, 8K2, 5%, 1/6W, Carbon Film.	3198 011 08220	5204	Fixed, Inductor, 100MHZ, 80 ohm.	3198 018 90020
3603	Res, 100 ohm, 5%, 1/6W, Carbon Film.	3198 011 01010	5205	Fixed, Inductor, 100MHZ, 80 ohm.	3198 018 90020
3604	Res, 100 ohm, 5%, 1/6W, Carbon Film.	3198 011 01010	5206	Fixed, Inductor, 100MHZ, 80 ohm.	3198 018 90020
3605	Res, 4K7, 5%, 1/16W, Metalized Glass	3198 021 34720	5241	Wire Jumper, 0.58MM.	3198 036 90010
3606	Res, 2K2, 5%, 1/6W, Carbon Film.	3198 011 02220	S 5445	Coil, 10u.	3198 018 11090
3607	Res, 2K2, 5%, 1/6W, Carbon Film.	3198 011 02220	S 5445	Coil, 1m	3198 018 71020
3608	Res, 100 ohm, 5%, 1/6W, Carbon Film.	3198 011 01010	5451	Transformer, PSL0T	3128 138 21421
3609	Res, 1K, 5%, 1/6W, Carbon Film	3198 011 01020	5452	Coil, 33u.	3198 018 73390
3610	Res, 8K2, 5%, 1/6W, Carbon Film.	3198 011 08220	5457	Fixed, Inductor, 100MHZ, 80 ohm.	3198 018 90020
3611	Res, 100 ohm, 5%, 1/16W, Metalized Gl ass.	3198 021 31010	5461	Coil, Linear, DC12	3128 138 55881
3618	Res, 6K8, 5%, 1/6W, Carbon Film.	3198 011 06820	5463	Transformer, Signal Driver, SC10015-0 0 B.	2422 531 02465
3622	Res, 100 ohm, 5%, 1/10W, Metalized Gl ass.	3198 021 51010	5471	Coil, Choke.	3128 138 37021
3623	Res, 4K7, 5%, 1/16W, Metalized Glass	3198 021 34720	5472	Coil, 4u7.	3198 018 74780
3624	Res, 100 ohm, 5%, 1/6W, Carbon Film.	3198 011 01010	5480	Coil, 3u3.	3198 018 23380
3625	Res, 100 ohm, 5%, 1/6W, Carbon Film.	3198 011 01010	S 5501	Coil, 39u.	2422 535 97336
3626	Res, 4K7, 5%, 1/16W, Metalized Glass	3198 021 34720	S 5520	Filter, Mains, 5mH, 2A	2422 549 43432
3627	Res, 4K7, 5%, 1/16W, Metalized Glass	3198 021 34720	S 5520	Transformer, Layer, SS39009-04 B	2422 531 02459
3628	Res, 10K, 5%, 1/16W, Metalized Glass	3198 021 31030	5521	Fixed, Inductor, 100MHZ, 50R.	3198 018 90010
3630	Res, 2K2, 5%, 1/16W, Metalized Glass	3198 021 32220	5560	Fixed, Inductor, 100MHZ, 50R.	3198 018 90010
3632	Res, Zero ohm, "Chip" Jumper	3198 021 90020	5561	Coil, 27u.	3198 018 22790
3636	Res, 100 ohm, 5%, 1/10W, Metalized Gl ass.	3198 021 51010	5562	Fixed, Inductor, 100MHZ, 50R.	3198 018 90010
3639	Res, Zero ohm, "Chip" Jumper	3198 021 90020	5564	Fixed, Inductor, 100MHZ, 50R.	3198 018 90010
3681	Res, 390 ohm, 5%, 1/16W, Metalized Gl ass.	3198 021 33910	5602	Coil, 5u6.	3198 018 15680
3682	Res, 3K3, 5%, 1/16W, Metalized Glass	3198 021 33320	5603	Coil, 5u6.	3198 018 15680
3683	Res, 390 ohm, 5%, 1/16W, Metalized Gl ass.	3198 021 33910	5604	Coil, 5u6.	3198 018 15680
3684	Res, 560 ohm, 5%, 1/16W, Metalized Gl ass.	3198 021 35610	5831	Coil, 6u8.	3198 018 16880
3685	Res, 560 ohm, 5%, 1/16W, Metalized Gl ass.	3198 021 35610	5832	Coil, 6u8.	3198 018 16880
3686	Res, 1K5, 5%, 1/16W, Metalized Glass	3198 021 31520	5833	Coil, 6u8.	3198 018 16880
3691	Res, 330 ohm, 5%, 1/16W, Metalized Gl ass.	3198 021 33310	5835	Coil, 12u.	3198 018 31290
3693	Res, 220 ohm, 5%, 1/16W, Metalized Gl ass.	3198 021 32210	6001	Zener Diode, 33 volt	3198 010 23390
3801	Res, 220 ohm, 5%, 1/6W, Carbon Film.	3198 011 02210	6201	Diode, Signal, BAS316.	3198 010 10630
3802	Res, 1K, 5%, 1/6W, Carbon Film	3198 011 01020	6202	Diode, Signal, BAS316.	3198 010 10630
3831	Res, 47K, 5%, 1/16W, Metalized Glass	3198 021 34730	6206	Zener Diode, 6.8 volt.	3198 020 56880
3832	Res, 100 ohm, 5%, 1/6W, Carbon Film.	3198 011 01010	6400	Res, 1K, 1%, 3/5W, Metal Film.	2312 915 11002
3833	Res, 100 ohm, 5%, 1/6W, Carbon Film.	3198 011 01010	6401	Zener Diode, 47 volt	3198 010 24790
3836	Res, 1K, 5%, 1/16W, Metalized Glass.	3198 021 31020	6445	Zener Diode, 10 volt	3198 020 51090
3837	Res, 100 ohm, 5%, 1/6W, Carbon Film.	3198 011 01010	6447	Diode, Signal, 1N4148.	3198 010 10010
3838	Res, 1K, 5%, 1/16W, Metalized Glass.	3198 021 31020	6448	Zener Diode, 6.2 volt.	9331 668 30133
3839	Res, 100 ohm, 5%, 1/6W, Carbon Film.	3198 011 01010	6449	Diode, Signal, BAV99	3198 010 10620
3843	Res, 2K2, 5%, 1/16W, Metalized Glass	3198 021 32220	6453	Zener Diode, 6.8 volt.	3198 020 56880
3901	Res, 1K, 5%, 1/16W, Metalized Glass.	3198 021 31020	6460	Diode, Rect, DG3-7005L.	9336 436 10682
3902	Res, 3K3, 5%, 1/16W, Metalized Glass	3198 021 33320	6461	Diode, Rect, RGP30J-L7004	9338 617 60682
3903	Res, 3K3, 5%, 1/16W, Metalized Glass	3198 021 33320	6462	Zener Diode, 9.1 volt.	9331 177 80133
3904	Res, 10K, 5%, 1/16W, Metalized Glass	3198 021 31030	6465	Diode, Signal, BAV21	3198 010 10070
3905	Res, 3K3, 5%, 1/16W, Metalized Glass	3198 021 33320	6466	Diode, Signal, BAV21	3198 010 10070
3906	Res, 10K, 5%, 1/16W, Metalized Glass	3198 021 31030	6467	Diode, Signal, BAS316.	3198 010 10630
3907	Res, 8K2, 5%, 1/16W, Metalized Glass	3198 021 38220	6468	Diode, Signal, BAS316.	3198 010 10630
4001	Res, Zero ohm, "Chip" Jumper	3198 021 90020	6469	Diode, Rect, BYD33J	9337 234 20133
4002	Res, Zero ohm, "Chip" Jumper	3198 021 90020	6470	Diode, Signal, BAV99	3198 010 10620
4181	Res, Zero ohm, "Chip" Jumper	3198 021 90020	6476	Zener Diode, 15 volt	3198 010 21590
4209	Res, Zero ohm, "Chip" Jumper	3198 021 90020	6481	Zener Diode, 5.6 volt.	3198 010 25680
4216	Res, Zero ohm, "Chip" Jumper	3198 021 90020	6482	Zener Diode, 9.1 volt.	9331 177 80133
4217	Res, Zero ohm, "Chip" Jumper	3198 021 90020	6483	Zener Diode, 33 volt	3198 010 23390
4401	Res, Zero ohm, "Chip" Jumper	3198 021 90020	6485	Diode, Rect, BYD33J	9337 234 20133
			6486	Diode, Rect, EGP20DL-5100	9322 164 42682
			6487	Diode, Rect, BYD33D	9337 234 00133
			6488	Diode, Rect, EGP20DL-5100	9322 164 42682
			6500	Diode, Bridge Rect, GBU4JL-7002	9322 132 135667
			6520	Diode, Rect, BYD33D	9337 234 00133
			6523	Diode, Signal, 1N4148.	3198 010 10010
			6524	Diode, Rect, 1N5062	3198 010 10120
			6525	Diode, Rect, 1N5062	3198 010 10120
			6526	Zener Diode, 22 volt	3198 020 52290
			6540	Zener Diode, 6.2 volt.	9331 668 30133

S = Safety Part Be sure to use exact replacement part.

SC3136C327 (continued)

6541	Zener Diode, 10 volt	3198 020 51090	9521	Wire Jumper, 0.58MM.	3198 036 90010
6560	Diode, Rect, BYV29X-500	9340 555 59127	9522	Wire Jumper, 0.58MM.	3198 036 90010
6561	Diode, Rect, SB340L-7010.	9322 128 18682	9524	Wire Jumper, 0.58MM.	3198 036 90010
6563	Diode, Signal, BAS316.	3198 010 10630	9525	Wire Jumper, 0.58MM.	3198 036 90010
6565	Diode, Signal, BAV70	9331 849 10215	9528	Wire Jumper, 0.58MM.	3198 036 90010
6580	Diode, Signal, BAS316.	3198 010 10630	9610	Wire Jumper, 0.58MM.	3198 036 90010
6681	Diode, Signal, BAT85	9336 247 60133	9611	Coil, 27u.	3198 018 22790
6691	LED, LTL-10224WHCR.	9322 050 99682	9612	Wire Jumper, 0.58MM.	3198 036 90010
6692	IR Receiver, TSOP1836UH3V	9322 127 54667	9613	Wire Jumper, 0.58MM.	3198 036 90010
6831	Diode, Signal, 1N4148.	3198 010 10010	9614	Wire Jumper, 0.58MM.	3198 036 90010
6901	Res, Zero ohm, "Chip" Jumper	3198 021 90020	9615	Wire Jumper, 0.58MM.	3198 036 90010
7200	IC, TDA9563H/N1/4.	9352 693 25557	9616	Wire Jumper, 0.58MM.	3198 036 90010
7201	Transistor, NPN, BC847B.	3198 010 42030	9617	Wire Jumper, 0.58MM.	3198 036 90010
7204	Transistor, PNP, BC857B.	3198 010 42150	9618	Wire Jumper, 0.58MM.	3198 036 90010
7205	Transistor, PNP, BC857B.	3198 010 42150	9619	Wire Jumper, 0.58MM.	3198 036 90010
7208	Transistor, PNP, BC857B.	3198 010 42150	9620	Wire Jumper, 0.58MM.	3198 036 90010
7400	FET Power, STP3NC60FP.	9322 157 37687	9621	Wire Jumper, 0.58MM.	3198 036 90010
7441	Transistor, PNP, BC857B.	3198 010 42150	9622	Wire Jumper, 0.58MM.	3198 036 90010
7443	Transistor, PNP, BC557B.	3198 020 40110	9623	Wire Jumper, 0.58MM.	3198 036 90010
7450	Transistor, PNP, PDTA114ET	3198 010 44010	9624	Wire Jumper, 0.58MM.	3198 036 90010
7460	Transistor, NPN, BU4508DX.	9340 550 92127	9625	Wire Jumper, 0.58MM.	3198 036 90010
7461	Transistor, NPN, BC337-25.	3198 020 43530	9626	Wire Jumper, 0.58MM.	3198 036 90010
7462	Transistor, NPN, PDTC143ZT	9340 547 00215	9627	Wire Jumper, 0.58MM.	3198 036 90010
7463	Transistor, PNP, BC327-25.	3198 020 43430	9628	Wire Jumper, 0.58MM.	3198 036 90010
7471	IC, TDA8359J/N2.	9352 701 64112	9629	Wire Jumper, 0.58MM.	3198 036 90010
7480	Transistor, NPN, BD135	3198 020 41010	9630	Wire Jumper, 0.58MM.	3198 036 90010
7482	Transistor, NPN, BD135	3198 020 41010	9631	Wire Jumper, 0.58MM.	3198 036 90010
S 7515	Optic, Coupler, TCET1104(G).	9322 175 72667	9632	Wire Jumper, 0.58MM.	3198 036 90010
7520	IC, TEA1507P/NL.	9352 673 56112	9633	Wire Jumper, 0.58MM.	3198 036 90010
7521	FET Power, STP8NC50FP.	9322 160 72687	9634	Wire Jumper, 0.58MM.	3198 036 90010
7522	Transistor, NPN, BC847B.	3198 010 42030	9637	Wire Jumper, 0.58MM.	3198 036 90010
7540	Transistor, NPN, BC547B.	3198 020 40030	9638	Wire Jumper, 0.58MM.	3198 036 90010
7560	IC, L78L33ACZ.	9322 134 92676	9639	Wire Jumper, 0.58MM.	3198 036 90010
7561	Transistor, NPN, PDTC143ZT	9340 547 00215	9640	Wire Jumper, 0.58MM.	3198 036 90010
7580	Transistor, PNP, BC857B.	3198 010 42150	9641	Wire Jumper, 0.58MM.	3198 036 90010
7602	IC, M24C16-WB6.	9322 147 25682	9642	Wire Jumper, 0.58MM.	3198 036 90010
7606	Transistor, NPN, PDTC143ZT	9340 547 00215	9643	Wire Jumper, 0.58MM.	3198 036 90010
7801	IC, HEF4052BT.	9333 729 50653	9644	Wire Jumper, 0.58MM.	3198 036 90010
7831	IC, MSP3445G-PO-B8	9322 160 81682	9645	Wire Jumper, 0.58MM.	3198 036 90010
7901	IC, AN7522N.	9322 181 41682	9646	Wire Jumper, 0.58MM.	3198 036 90010
9001	Wire Jumper, 0.58MM.	3198 036 90010	9648	Wire Jumper, 0.58MM.	3198 036 90010
9111	Wire Jumper, 0.58MM.	3198 036 90010	9650	Wire Jumper, 0.58MM.	3198 036 90010
9112	Wire Jumper, 0.58MM.	3198 036 90010	9654	Wire Jumper, 0.58MM.	3198 036 90010
9113	Wire Jumper, 0.58MM.	3198 036 90010	9655	Wire Jumper, 0.58MM.	3198 036 90010
9171	Wire Jumper, 0.58MM.	3198 036 90010	9656	Wire Jumper, 0.58MM.	3198 036 90010
9172	Wire Jumper, 0.58MM.	3198 036 90010	9657	Wire Jumper, 0.58MM.	3198 036 90010
9173	Wire Jumper, 0.58MM.	3198 036 90010	9658	Wire Jumper, 0.58MM.	3198 036 90010
9175	Wire Jumper, 0.58MM.	3198 036 90010	9659	Wire Jumper, 0.58MM.	3198 036 90010
9176	Wire Jumper, 0.58MM.	3198 036 90010	9660	Wire Jumper, 0.58MM.	3198 036 90010
9178	Wire Jumper, 0.58MM.	3198 036 90010	9661	Wire Jumper, 0.58MM.	3198 036 90010
9179	Wire Jumper, 0.58MM.	3198 036 90010	9662	Wire Jumper, 0.58MM.	3198 036 90010
9182	Wire Jumper, 0.58MM.	3198 036 90010	9663	Wire Jumper, 0.58MM.	3198 036 90010
9183	Wire Jumper, 0.58MM.	3198 036 90010	9664	Wire Jumper, 0.58MM.	3198 036 90010
9192	Wire Jumper, 0.58MM.	3198 036 90010	9665	Wire Jumper, 0.58MM.	3198 036 90010
9193	Wire Jumper, 0.58MM.	3198 036 90010	9666	Wire Jumper, 0.58MM.	3198 036 90010
9406	Wire Jumper, 0.58MM.	3198 036 90010	9668	Wire Jumper, 0.58MM.	3198 036 90010
9407	Wire Jumper, 0.58MM.	3198 036 90010	9669	Wire Jumper, 0.58MM.	3198 036 90010
9408	Wire Jumper, 0.58MM.	3198 036 90010	9670	Wire Jumper, 0.58MM.	3198 036 90010
9409	Wire Jumper, 0.58MM.	3198 036 90010	9672	Coil, 27u.	2422 535 95366
9410	Wire Jumper, 0.58MM.	3198 036 90010	9674	Wire Jumper, 0.58MM.	3198 036 90010
9411	Wire Jumper, 0.58MM.	3198 036 90010	9675	Wire Jumper, 0.58MM.	3198 036 90010
9412	Wire Jumper, 0.58MM.	3198 036 90010	9676	Wire Jumper, 0.58MM.	3198 036 90010
9413	Wire Jumper, 0.58MM.	3198 036 90010	9678	Coil, 27u.	2422 535 95366
9414	Wire Jumper, 0.58MM.	3198 036 90010	9679	Wire Jumper, 0.58MM.	3198 036 90010
9415	Wire Jumper, 0.58MM.	3198 036 90010	9680	Wire Jumper, 0.58MM.	3198 036 90010
9416	Wire Jumper, 0.58MM.	3198 036 90010	9683	Wire Jumper, 0.58MM.	3198 036 90010
9417	Wire Jumper, 0.58MM.	3198 036 90010	9685	Wire Jumper, 0.58MM.	3198 036 90010
9418	Wire Jumper, 0.58MM.	3198 036 90010	9686	Wire Jumper, 0.58MM.	3198 036 90010
9419	Wire Jumper, 0.58MM.	3198 036 90010	9687	Wire Jumper, 0.58MM.	3198 036 90010
9421	Wire Jumper, 0.58MM.	3198 036 90010	9688	Wire Jumper, 0.58MM.	3198 036 90010
9422	Wire Jumper, 0.58MM.	3198 036 90010	9689	Wire Jumper, 0.58MM.	3198 036 90010
9423	Wire Jumper, 0.58MM.	3198 036 90010	9690	Wire Jumper, 0.58MM.	3198 036 90010
9424	Wire Jumper, 0.58MM.	3198 036 90010	9691	Wire Jumper, 0.58MM.	3198 036 90010
9425	Wire Jumper, 0.58MM.	3198 036 90010	9694	Wire Jumper, 0.58MM.	3198 036 90010
9426	Wire Jumper, 0.58MM.	3198 036 90010	9695	Wire Jumper, 0.58MM.	3198 036 90010
9427	Wire Jumper, 0.58MM.	3198 036 90010	9697	Wire Jumper, 0.58MM.	3198 036 90010
9453	Wire Jumper, 0.58MM.	3198 036 90010	9698	Wire Jumper, 0.58MM.	3198 036 90010
9460	Wire Jumper, 0.58MM.	3198 036 90010	9699	Wire Jumper, 0.58MM.	3198 036 90010
9463	Wire Jumper, 0.58MM.	3198 036 90010	9821	Wire Jumper, 0.58MM.	3198 036 90010
9500	Wire Jumper, 0.58MM.	3198 036 90010	9822	Wire Jumper, 0.58MM.	3198 036 90010
9501	Wire Jumper, 0.58MM.	3198 036 90010	9823	Wire Jumper, 0.58MM.	3198 036 90010
9503	Wire Jumper, 0.58MM.	3198 036 90010	9824	Wire Jumper, 0.58MM.	3198 036 90010
9506	Wire Jumper, 0.58MM.	3198 036 90010	9825	Wire Jumper, 0.58MM.	3198 036 90010
9507	Wire Jumper, 0.58MM.	3198 036 90010	9827	Wire Jumper, 0.58MM.	3198 036 90010
9510	Wire Jumper, 0.58MM.	3198 036 90010	9828	Wire Jumper, 0.58MM.	3198 036 90010
9512	Wire Jumper, 0.58MM.	3198 036 90010	9829	Wire Jumper, 0.58MM.	3198 036 90010
9513	Wire Jumper, 0.58MM.	3198 036 90010	9830	Wire Jumper, 0.58MM.	3198 036 90010
9514	Wire Jumper, 0.58MM.	3198 036 90010	9831	Wire Jumper, 0.58MM.	3198 036 90010
9515	Wire Jumper, 0.58MM.	3198 036 90010	9832	Wire Jumper, 0.58MM.	3198 036 90010
9516	Wire Jumper, 0.58MM.	3198 036 90010	9833	Wire Jumper, 0.58MM.	3198 036 90010
9518	Wire Jumper, 0.58MM.	3198 036 90010	9834	Wire Jumper, 0.58MM.	3198 036 90010
9520	Wire Jumper, 0.58MM.	3198 036 90010	9835	Wire Jumper, 0.58MM.	3198 036 90010

S = Safety Part. Be sure to use exact replacement part.

SC3136C327 (continued)

9836	Wire Jumper, 0.58MM.	3198	036	90010	2003	Cap, 330p, 5%, 50v, Ceramic.	3198	016	03310
9837	Wire Jumper, 0.58MM.	3198	036	90010	2004	Cap, 330p, 5%, 50v, Ceramic.	3198	016	03310
9838	Wire Jumper, 0.58MM.	3198	036	90010	2005	Cap, 100n, 10%, 16v, Ceramic.	3198	017	01040
9839	Wire Jumper, 0.58MM.	3198	036	90010	3001	Res, 150 ohm, 5%, 1/10W, Metalized Gl ass.	3198	021	51510
9840	Wire Jumper, 0.58MM.	3198	036	90010					
9841	Wire Jumper, 0.58MM.	3198	036	90010	3002	Res, 220K, 5%, 1/10W, Metalized Glass	3198	021	52240
9842	Wire Jumper, 0.58MM.	3198	036	90010	3003	Res, 150 ohm, 5%, 1/10W, Metalized Gl ass.	3198	021	51510
9843	Wire Jumper, 0.58MM.	3198	036	90010					
9844	Wire Jumper, 0.58MM.	3198	036	90010	3004	Res, 220K, 5%, 1/10W, Metalized Glass	3198	021	52240
9845	Wire Jumper, 0.58MM.	3198	036	90010	3005	Res, 10K, 5%, 1/10W, Metalized Glass	3198	021	51030
9846	Wire Jumper, 0.58MM.	3198	036	90010	3006	Res, 10K, 5%, 1/10W, Metalized Glass	3198	021	51030
9847	Wire Jumper, 0.58MM.	3198	036	90010	3007	Res, 10K, 5%, 1/10W, Metalized Glass	3198	021	51030
9849	Wire Jumper, 0.58MM.	3198	036	90010	3008	Res, 100 ohm, 5%, 1/10W, Glass . . .	3198	021	51010
9851	Wire Jumper, 0.58MM.	3198	036	90010	3009	Res, 10K, 5%, 1/10W, Metalized Glass	3198	021	51030
9901	Wire Jumper, 0.58MM.	3198	036	90010	3010	Res, 10K, 5%, 1/10W, Metalized Glass	3198	021	51030
9902	Wire Jumper, 0.58MM.	3198	036	90010	3011	Res, 100 ohm, 5%, 1/10W, Glass . . .	3198	021	51010
9903	Wire Jumper, 0.58MM.	3198	036	90010	3012	Res, 10K, 5%, 1/10W, Metalized Glass	3198	021	51030
9904	Wire Jumper, 0.58MM.	3198	036	90010	3013	Res, 100K, 5%, 1/10W, Metalized Glass	3198	021	51040
9905	Wire Jumper, 0.58MM.	3198	036	90010	3014	Res, 10K, 5%, 1/10W, Metalized Glass	3198	021	51030
9911	Wire Jumper, 0.58MM.	3198	036	90010	3015	Res, 1K, 5%, 1/10W, Metalized Glass.	3198	021	51020
9912	Wire Jumper, 0.58MM.	3198	036	90010	3016	Res, 47 ohm, 5%, 1/10W, Metalized Gla ss.	3198	021	54790
9914	Wire Jumper, 0.58MM.	3198	036	90010	3017	Res, 100K, 5%, 1/10W, Metalized Glass	3198	021	51040
9915	Wire Jumper, 0.58MM.	3198	036	90010	6001	Zener Diode, 5.6 volt.	3198	010	25680
9916	Wire Jumper, 0.58MM.	3198	036	90010	6002	Zener Diode, 5.6 volt.	3198	010	25680
9918	Wire Jumper, 0.58MM.	3198	036	90010	6003	Zener Diode, 5.6 volt.	3198	010	25680
9919	Wire Jumper, 0.58MM.	3198	036	90010	6004	Zener Diode, 5.6 volt.	3198	010	25680
9920	Wire Jumper, 0.58MM.	3198	036	90010	6005	Diode, Signal, 1N4148.	3198	010	10010
9921	Wire Jumper, 0.58MM.	3198	036	90010	7001	Transistor, NPN, BC547B.	3198	020	40030
9991	Wire Jumper, 0.58MM.	3198	036	90010	7002	Transistor, NPN, BC847B.	3198	010	42030
9993	Wire Jumper, 0.58MM.	3198	036	90010	7003	Transistor, NPN, BC847B.	3198	010	42030
9994	Wire Jumper, 0.58MM.	3198	036	90010	7004	Transistor, NPN, BC847B.	3198	010	42030
9996	Wire Jumper, 0.58MM.	3198	036	90010	9002	Wire Jumper, 0.58MM.	3198	036	90010
9997	Wire Jumper, 0.58MM.	3198	036	90010	9003	Wire Jumper, 0.58MM.	3198	036	90010
9998	Wire Jumper, 0.58MM.	3198	036	90010	9004	Wire Jumper, 0.58MM.	3198	036	90010
CBA	Main Chassis Assembly.	3139	187	16621					

CRT Panel Parts (Part of Main Chassis)

S 0244	Connector, 5 Pin	2422	025	04853
S 0245	Connector, 6 Pin	2422	025	04854
S 0254	Socket, CRT, 10 Pin.	2422	500	80079
2330	Cap, 100n, 10%, 250v, Metalized Polyp ropylene	2222	368	90177
2340	Cap, 10u, 20%, 250v, Electrolytic. . .	2020	012	93495
2341	Cap, 3n3, 10%, 500v, Ceramic	3198	019	43320
2342	Cap, 560p, 5%, 50v, Ceramic.	3198	016	05610
2343	Cap, 3n3, 10%, 2000v, Ceramic.	2020	558	90529
2344	Cap, 100n, ?20%, 25v, Ceramic.	3198	023	21040
2345	Cap, 1n, 10%, 500v, Ceramic.	3198	019	41020
3331	Res, 100 ohm, 5%, 1/6W, Carbon Film. .	3198	011	01010
3332	Res, 1K, 20%, 1/2W, Carbon Film. . . .	3198	013	01020
3333	Res, 100 ohm, 5%, 1/6W, Carbon Film. .	3198	011	01010
3334	Res, 1K, 20%, 1/2W, Carbon Film. . . .	3198	013	01020
3335	Res, 100 ohm, 5%, 1/6W, Carbon Film. .	3198	011	01010
3336	Res, 1K, 20%, 1/2W, Carbon Film. . . .	3198	013	01020
S 3340	Res, 10 ohm, 5%, 1/2W, Metal Film. . . .	2306	207	03109
S 3341	Res, 1 ohm, 5%, 1/3W, Metal Film.	2306	204	03108
S 3342	Res, 1 ohm, 5%, 1/3W, Metal Film.	2306	204	03108
3343	Res, 1K5, 20%, 1/2W, Carbon Film. . . .	3198	013	01520
3344	Res, 22 ohm, 5%, 1/6W, Carbon Film. . .	3198	011	02290
S 3345	VDR, DC, 1mA, 50V, MAX, 115V	2322	593	13507
3346	Res, 22 ohm, 5%, 1/6W, Carbon Film. . .	3198	011	02290
3347	Res, Zero ohm, "Chip" Jumper	3198	021	90020
3350	Res, Zero ohm, "Chip" Jumper	3198	021	90020
3353	Res, Zero ohm, "Chip" Jumper	3198	021	90020
5342	Coil, 22u.	2422	535	97333
6331	Diode, Signal, BAV21	3198	010	10070
6332	Diode, Signal, BAS316.	3198	010	10630
6333	Diode, Signal, BAV21	3198	010	10070
6335	Diode, Signal, BAV21	3198	010	10070
7330	IC, TDA6107Q/N2.	9352	576	50112
9311	Wire Jumper, 0.58MM.	3198	036	90010
9341	Wire Jumper, 0.58MM.	3198	036	90010
9342	Wire Jumper, 0.58MM.	3198	036	90010
9343	Wire Jumper, 0.58MM.	3198	036	90010

Jack Panel Parts - 313912729721

CBA	Jack Panel Assembly.	3139	127	29721
0152	Cable, 5 Pin, 400mm.	3135	121	00031
1002	Connector, 3 Pin	2422	025	16601
1003	Socket, Cinch, 1 Pin	2422	026	04374
1004	Socket, Cinch, 1 Pin	2422	026	04912
1005	Connector, 6 Pin	2422	025	15776
1006	Connector, 9 Pin	2422	025	06354
1007	Connector, 5 Pin	2422	025	16759
1008	Connector, 5 Pin	2422	025	06353
1009	Socket, Click, 4 Pin	2422	015	18711
1010	Switch, Slide, 2P/2Pos, 6A	2422	127	00482
2001	Cap, 2u2, 20%, 50v, Electrolytic	3198	028	52280
2002	Cap, 2u2, 20%, 50v, Electrolytic	3198	028	52280

Comb Filter Panel Parts - 313912729671

CBA	Comb Filter Panel Parts - 31391272967			
0150	Comb Filter Panel Assembly	3139	127	29671
0162	Cable, 3 Pin, 400mm.	3135	121	00181
1000	Cable, 7 Pin, 220mm.	3135	121	00131
1102	Connector, 4 Pin	2422	025	12479
1215	Crystal, Resonator, 32KHz768	2422	543	00056
1229	Connector, 3 Pin	2422	025	16383
1237	Connector, 7 Pin	2422	025	17209
1242	Connector, 4 Pin	2422	025	15847
1254	Connector, 3 Pin	2412	020	00725
2000	Connector, 3 Pin	2422	025	16936
2001	Cap, 100u, 20%, 10v, Electrolytic.	3198	025	11010
2002	Cap, 100n, +80/-20%, 25v, Ceramic. . . .	3198	023	21040
2003	Cap, 100n, +80/-20%, 25v, Ceramic. . . .	3198	023	21040
2004	Cap, 100n, +80/-20%, 25v, Ceramic. . . .	3198	023	21040
2011	Cap, 100n, +80/-20%, 25v, Ceramic. . . .	3198	023	21040
2012	Cap, 1u, +80/-20%, 16v, Ceramic.	3198	017	21050
2013	Cap, 100p, 5%, 50v, Ceramic.	3198	016	01010
2014	Cap, 220n, +80/-20%, 25v, Ceramic. . . .	3198	023	22240
2020	Cap, 47p, 5%, 50v, Ceramic.	3198	016	04790
2021	Cap, 100n, +80/-20%, 25v, Ceramic. . . .	3198	023	21040
2023	Cap, 100n, +80/-20%, 25v, Ceramic. . . .	3198	023	21040
2025	Cap, 100n, +80/-20%, 25v, Ceramic. . . .	3198	023	21040
2111	Cap, 47u, 20%, 25v, Electrolytic	3198	025	34790
2113	Battery, Lithium, 3V, 35mAh.	2422	526	01254
2118	Cap, 100p, 5%, 50v, Ceramic.	3198	016	01010
2119	Cap, 100p, 5%, 50v, Ceramic.	3198	016	01010
2120	Cap, 22u, 20%, 16v, Electrolytic	3198	028	22290
2122	Cap, 6p8, 7%, 50v, Ceramic.	3198	016	06880
2123	Cap, 100n, 10%, 16v, Ceramic.	3198	017	10040
2124	Cap, 470n, +80/-20%, 16v, Ceramic. . . .	3198	017	24740
2125	Cap, 470n, +80/-20%, 16v, Ceramic. . . .	3198	017	24740
2126	Cap, 470n, +80/-20%, 16v, Ceramic. . . .	3198	017	24740
3012	Res, 220 ohm, 5%, 1/10W, Metalized Gl ass.	3198	021	52210
3013	Res, 220 ohm, 5%, 1/10W, Metalized Gl ass.	3198	021	52210
3020	Res, 4K7, 5%, 1/10W, Metalized Glass	3198	021	54720
3026	Res, 2M2, 5%, 1/10W, Metalized Glass	3198	021	52250
3027	Res, 4K7, 5%, 1/10W, Metalized Glass	3198	021	54720
3110	Res, 10K, 5%, 1/10W, Metalized Glass	3198	021	51030
3111	Res, 2K7, 5%, 1/10W, Metalized Glass	3198	021	52720
3116	Res, 100 ohm, 5%, 1/10W, Glass	3198	021	51010
3117	Res, 100 ohm, 5%, 1/10W, Glass	3198	021	51010
3120	Res, 100K, 5%, 1/10W, Metalized Glass	3198	021	51040
3121	Res, 47K, 5%, 1/10W, Metalized Glass	3198	021	54730
3122	Res, 1K5, 5%, 1/10W, Metalized Glass	3198	021	51520
3123	Res, 330 ohm, 5%, 1/10W, Metalized Gl ass.	3198	021	53310
3124	Res, 560 ohm, 5%, 1/10W, Metalized Gl ass.	3198	021	55610
3125	Res, 330 ohm, 5%, 1/10W, Metalized Gl ass.	3198	021	53310
4001	Res, Zero ohm, "Chip" Jumper	3198	021	90020

S = Safety Part Be sure to use exact replacement part.

SC3136C327 (continued)

5000	Coil, 10u.	3198 018 31090	7708	Transistor, NPN, BC847B.	3198 010 42030
5012	Coil, 15u.	2422 535 94296	7715	Transistor, NPN, BC847B.	3198 010 42030
5104	Coil, 6u8.	3198 018 26880	7716	Transistor, NPN, BC847B.	3198 010 42030
6110	Diode, Signal, BAS316.	3198 010 10630	9001	Wire Jumper, 0.58MM.	3198 036 90010
7000	IC, SAA4961/V3/S1.	9352 609 51112	9002	Wire Jumper, 0.58MM.	3198 036 90010
7110	IC, MK41T56N-00.	9322 078 54682	9003	Wire Jumper, 0.58MM.	3198 036 90010
7111	IC, HEF4052BT.	9333 729 50653	9004	Wire Jumper, 0.58MM.	3198 036 90010
7112	Transistor, NPN, BC847B.	3198 010 42030	9005	Wire Jumper, 0.58MM.	3198 036 90010
7113	Transistor, PNP, BC857B.	3198 010 42150	9007	Wire Jumper, 0.58MM.	3198 036 90010
9001	Wire Jumper, 0.58MM.	3198 036 90010	9008	Wire Jumper, 0.58MM.	3198 036 90010
9002	Wire Jumper, 0.58MM.	3198 036 90010	9009	Wire Jumper, 0.58MM.	3198 036 90010
9003	Wire Jumper, 0.58MM.	3198 036 90010	9010	Wire Jumper, 0.58MM.	3198 036 90010
			9021	Wire Jumper, 0.58MM.	3198 036 90010

Interface Panel (ITV) Parts - 313913721461

	Interface Panel (ITV) Parts - 313913721461	
	21461	
CBA	Interface Panel (ITV) Assembly . . .	3139 137 21461
0149	Cable, 9 Pin, 280mm.	3135 121 00071
0151	Cable, 3 Pin, 280mm.	3135 121 00011
0162	Cable, 7 Pin, 220mm.	3135 121 00051
0163	Cable, 10 Pin, 280mm.	3135 121 00061
0164	Cable, 3 Pin, 400mm.	3135 121 00161
0167	Cable, 4 Pin, 180mm.	3135 121 00081
0168	Cable, 6 Pin, 280mm.	3135 121 00041
0173	Cable, 5 Pin, 400mm.	3135 121 00031
0179	Cable, 4 Pin, 280mm.	3135 121 00201
0217	Connector, 4 Pin	2422 025 16385
0227	Connector, 6 Pin	2422 025 15849
0228	Connector, 3 Pin	2422 025 16407
0237	Connector, 4 Pin	2422 025 15847
0240	Connector, 7 Pin	2422 025 11244
0242	Connector, 10 Pin.	2422 025 12484
0259	Connector, 5 Pin	2422 025 15848
1002	Connector, 3 Pin	2422 025 16382
1259	Connector, 9 Pin.	2422 025 11243
1800	Connector, 32 Pin.	3135 010 03531
2703	Cap, 100u, 20%, 10v, Electrolytic. . .	3198 025 11010
2705	Cap, 22p, 5%, 50v, Ceramic	3198 016 02290
2706	Cap, 4n7, 10%, 50v, Ceramic.	3198 017 04720
2707	Cap, 4n7, 10%, 50v, Ceramic.	3198 017 04720
2709	Cap, 100n, 10%, 16v, Ceramic	3198 017 01040
2710	Cap, 100n, 10%, 16v, Ceramic	3198 017 01040
2711	Cap, 100p, 5%, 50v, Ceramic.	3198 016 01010
2712	Cap, 100p, 5%, 50v, Ceramic.	3198 016 01010
2713	Cap, 100n, 10%, 16v, Ceramic	3198 017 01040
3703	Res, 75 ohm, 5%, 1/10W, Metalized Glass.	3198 021 57590
3707	Res, 10K, 5%, 1/10W, Metalized Glass	3198 021 51030
3708	Res, 47K, 5%, 1/10W, Metalized Glass	3198 021 54730
3710	Res, 47K, 5%, 1/10W, Metalized Glass	3198 021 54730
3715	Res, 100 ohm, 5%, 1/10W, Glass . . .	3198 021 51010
3716	Res, 10K, 5%, 1/10W, Metalized Glass	3198 021 51030
3717	Res, 10K, 5%, 1/10W, Metalized Glass	3198 021 51030
3718	Res, 10K, 5%, 1/10W, Metalized Glass	3198 021 51030
3719	Res, 4K7, 5%, 1/10W, Metalized Glass	3198 021 54720
3720	Res, 10K, 5%, 1/10W, Metalized Glass	3198 021 51030
3721	Res, 4K7, 5%, 1/10W, Metalized Glass	3198 021 54720
3722	Res, 10K, 5%, 1/10W, Metalized Glass	3198 021 51030
3723	Res, 33K, 5%, 1/10W, Metalized Glass	3198 021 53330
3724	Res, 33K, 5%, 1/10W, Metalized Glass	3198 021 53330
3725	Res, 68K, 5%, 1/10W, Metalized Glass	3198 021 56830
3726	Res, 10K, 5%, 1/10W, Metalized Glass	3198 021 51030
3727	Res, 4K7, 5%, 1/10W, Metalized Glass	3198 021 54720
3728	Res, 10K, 5%, 1/10W, Metalized Glass	3198 021 51030
3729	Res, 10K, 5%, 1/10W, Metalized Glass	3198 021 51030
3731	Res, 1K8, 5%, 1/10W, Metalized Glass	3198 021 51820
3733	Res, 47K, 5%, 1/10W, Metalized Glass	3198 021 54730
3734	Res, 47K, 5%, 1/10W, Metalized Glass	3198 021 54730
3735	Res, 75 ohm, 5%, 1/10W, Metalized Glass.	3198 021 57590
3736	Res, 75 ohm, 5%, 1/10W, Metalized Glass.	3198 021 57590
3740	Res, 220 ohm, 20%, 1/2W, Carbon Film	3198 013 02210
3741	Res, 1K, 5%, 1/10W, Metalized Glass.	3198 021 51020
3742	Res, 4K7, 5%, 1/10W, Metalized Glass	3198 021 54720
3743	Res, 100 ohm, 5%, 1/10W, Glass . . .	3198 021 51010
3744	Res, 100 ohm, 5%, 1/10W, Glass . . .	3198 021 51010
4004	Res, Zero ohm, "Chip" Jumper	3198 021 90020
4005	Res, Zero ohm, "Chip" Jumper	3198 021 90020
4006	Res, Zero ohm, "Chip" Jumper	3198 021 90020
4008	Res, Zero ohm, "Chip" Jumper	3198 021 90020
4009	Res, Zero ohm, "Chip" Jumper	3198 021 90020
4010	Res, Zero ohm, "Chip" Jumper	3198 021 90020
6703	Zener Diode, 5.1 volt.	3198 010 25180
6704	Zener Diode, 8.2 volt.	3198 020 58280
6706	Zener Diode, 8.2 volt.	3198 020 58280
7700	Transistor, NPN, BC847B.	3198 010 42030
7701	Transistor, NPN, BC847B.	3198 010 42030
7704	Transistor, PNP, BC857B.	3198 010 42150
7705	Transistor, PNP, BC857B.	3198 010 42150
7706	Transistor, NPN, BC847B.	3198 010 42030
7707	Transistor, NPN, BC847B.	3198 010 42030

S = Safety Part Be sure to use exact replacement part.